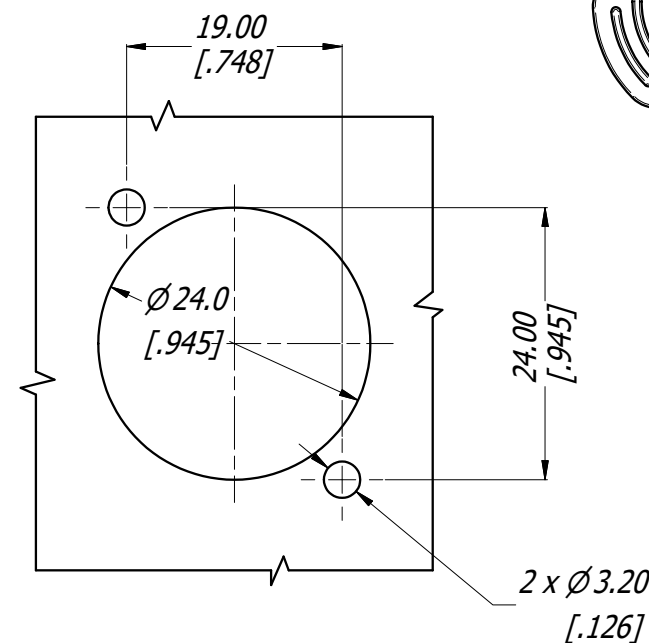


3D VIEW
1:1



PANEL CUT OUT
3:2
(CONNECTOR FRONT VIEW)



UNLESS OTHERWISE SPECIFIED TOLERANCE TO BE		THIS DOCUMENT IS THE PROPERTY OF AMPHENOL AUSTRALIA PTY. LTD. NO PART THEREOF MAY BE REPRODUCED AND USED WITHOUT THE PRIOR WRITTEN CONSENT OF THE OWNER.				Amphenol		Amphenol Australia Pty.Ltd, 22 Industry Blvd, Carrum Downs VIC 3201 Australia	
LINER	ANGULAR	MATERIAL:	DRN:	T.N	DATE:	04/03/20	TITLE:	PART No:	REV
X ± 0.5	X° ± 1	REFER SPECIFICATION	CKD:	P.M	DATE:	04/03/20	XLRnet D TYPE CAT5e	RJXS8FG5T	1
X.X ± 0.1	X.X° ± 30'	BREAK ALL SHARP EDGES AND REMOVE ALL BURRS	APP'D:	P.M	DATE:	04/03/20	FEEDTHRU IP54 WITH CAP	DRAWING No.	SHEET
X.X ± 0.05	X.X.X° ± 15'	DO NOT SCALE	FINISH:				CUSTOMER DRAWING	55011397-000	2/2
DIMENSIONS IN MILLIMETRES		THIRD ANGLE PROJECTION		SCALE:	3:2	SIZE:	A3		