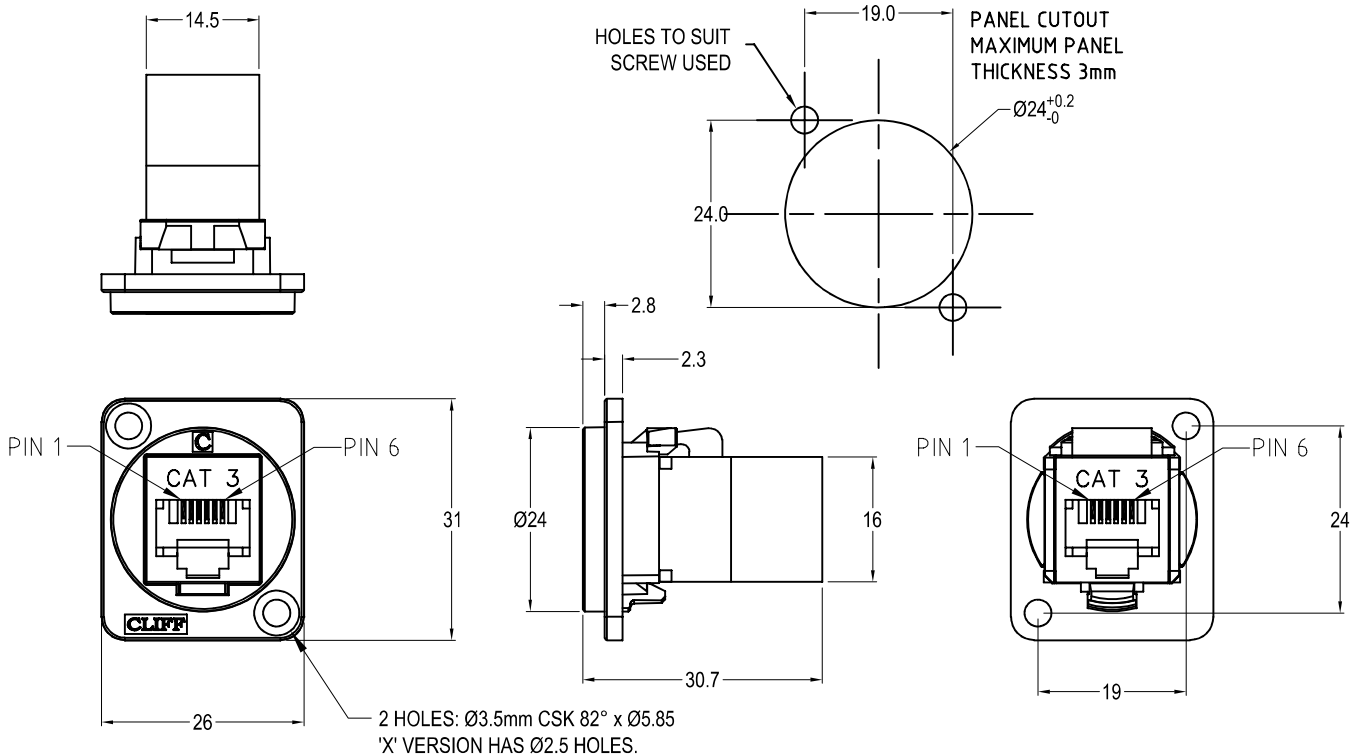


# CLIFF

## CAT3 RJ12 6P6C FEEDTHROUGH CONNECTOR



### Feedthrough Features

- Fits standard XLR Ø24mm cutout.
- No soldering or punch termination. Use standard cable for each connector style.
- Front or rear mounted.
- Low rear profile

### General:

Please note: Functionality is affected by cable quality, length and cable wiring configuration.

Other models available:

### Part No.

<b>CP30224</b>	Cat3 RJ12 6P6C Black plastic frame, CSK holes
<b>CP30224X</b>	Cat3 RJ12 6P6C Black plastic frame, PLAIN holes

### Material:

1. RJ12 In-Line Coupler:  
PC/ABS, UL 94V-0, Black colour
2. RJ12 In-Line Coupler Contact: Phosphor Bronze, 3-50 micro inches gold plating over nickel plate.
3. PCB: FR4, UL 94V-0
4. Frame: Polyamide 94V-2

### Performance:

1. Operating temperature: Min -10°C Max +60°C