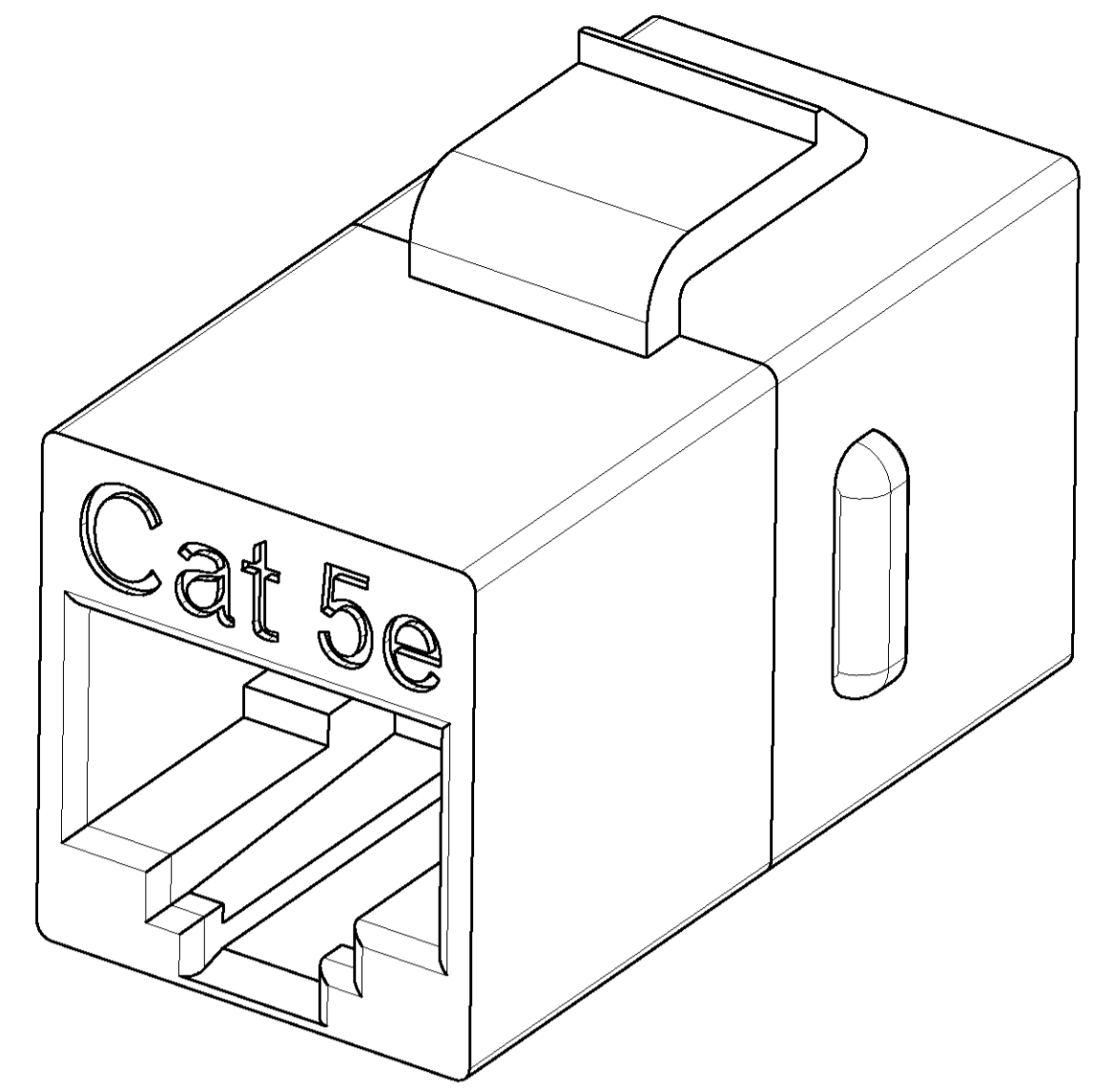
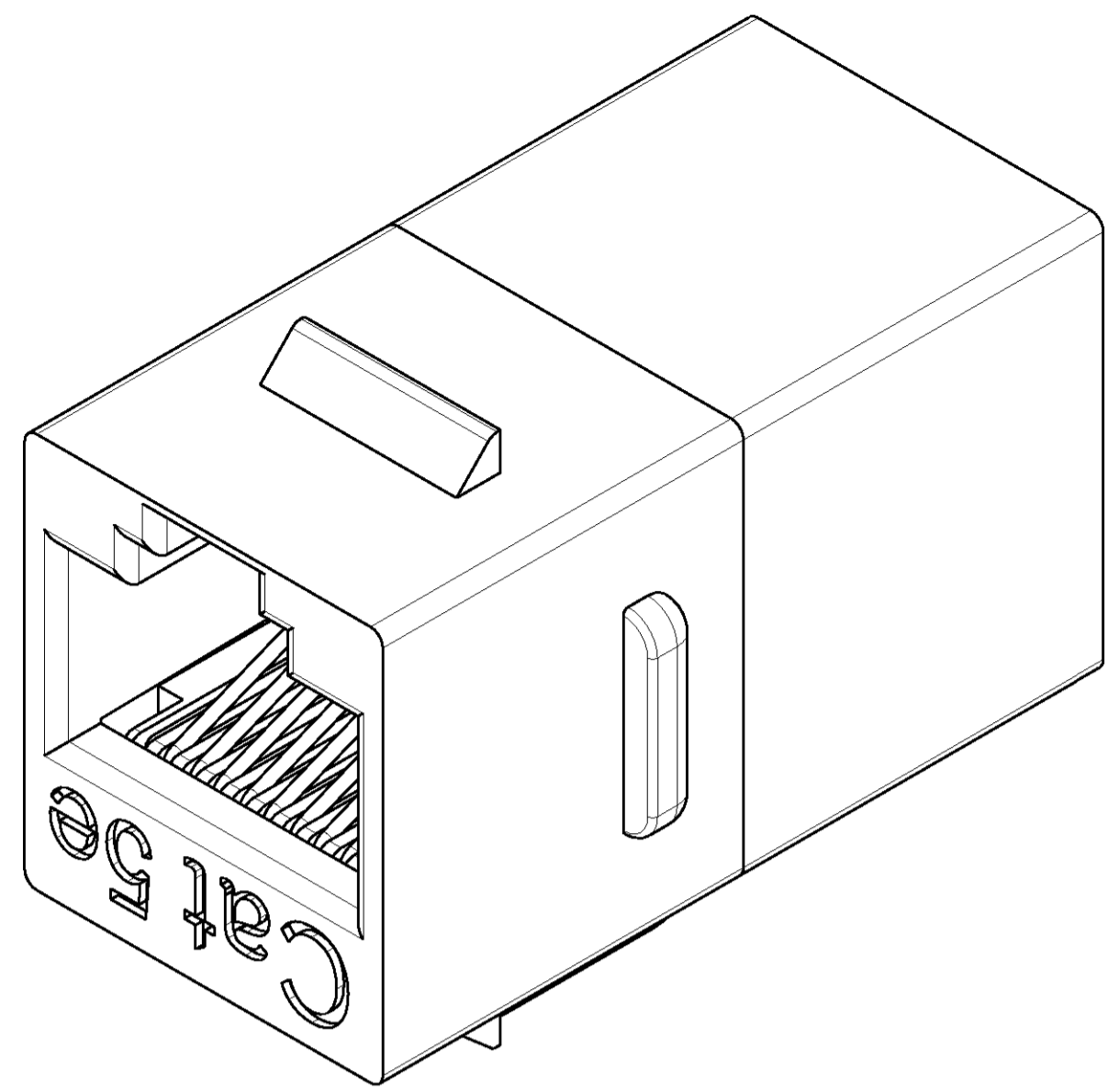


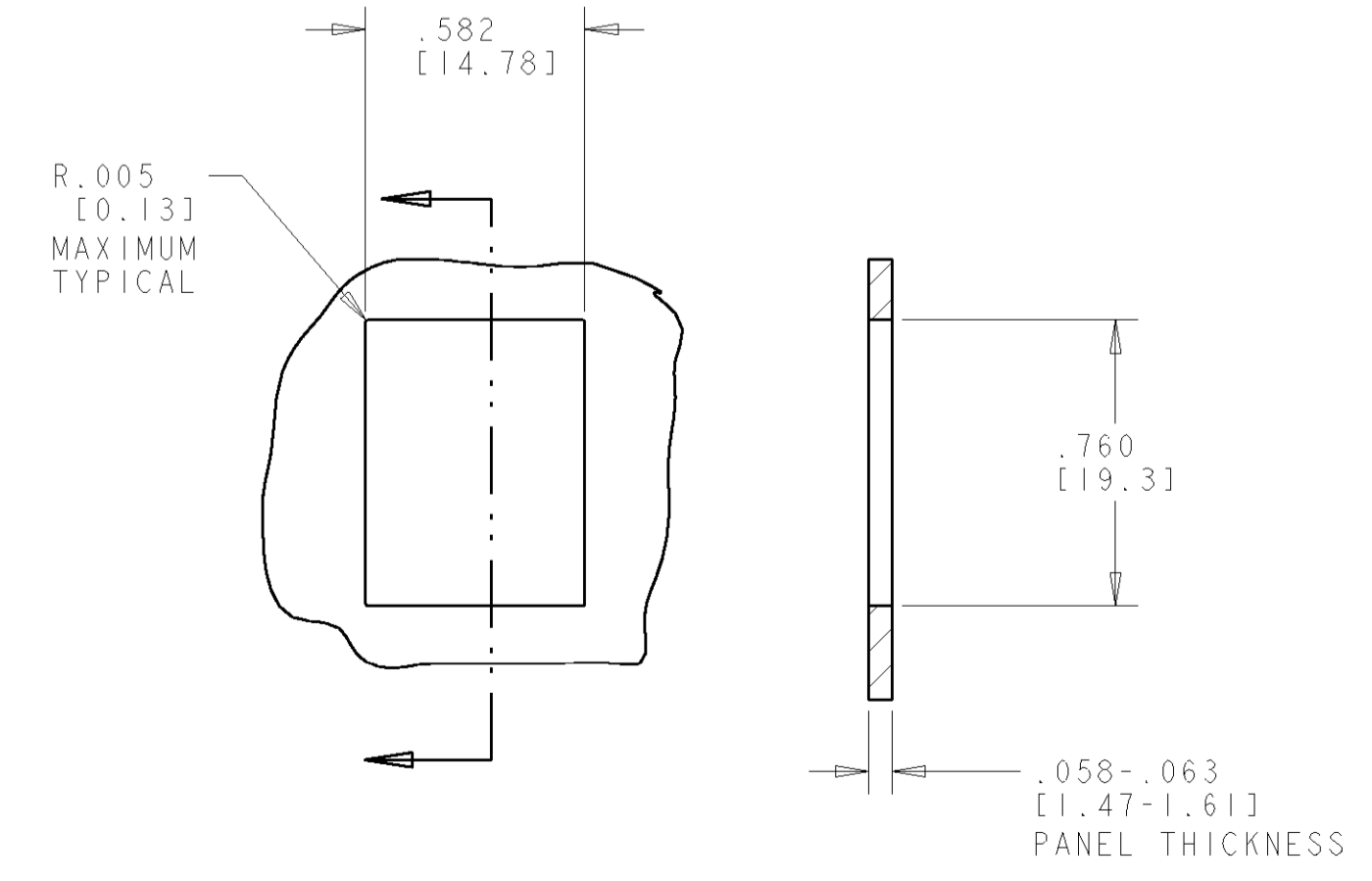
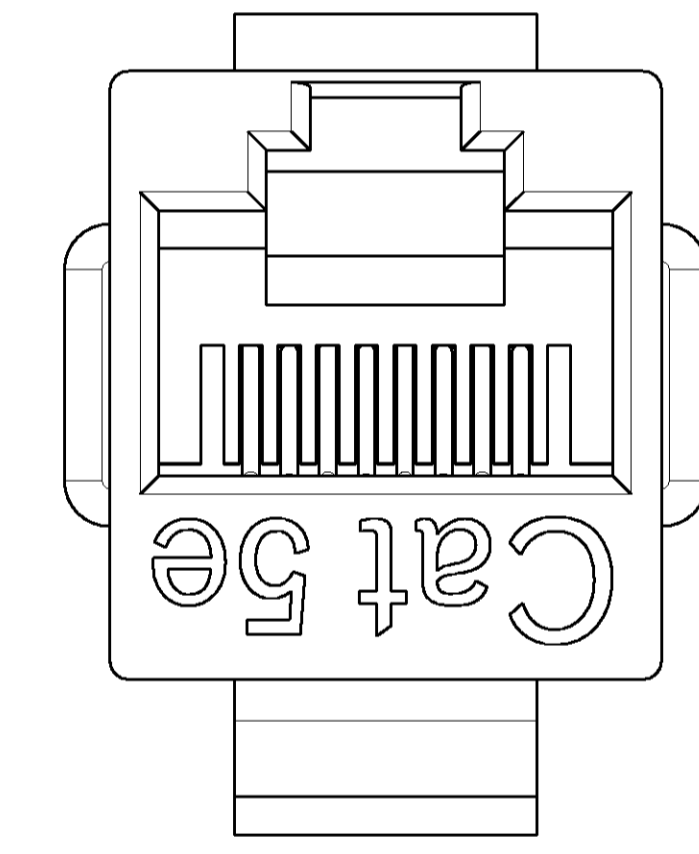
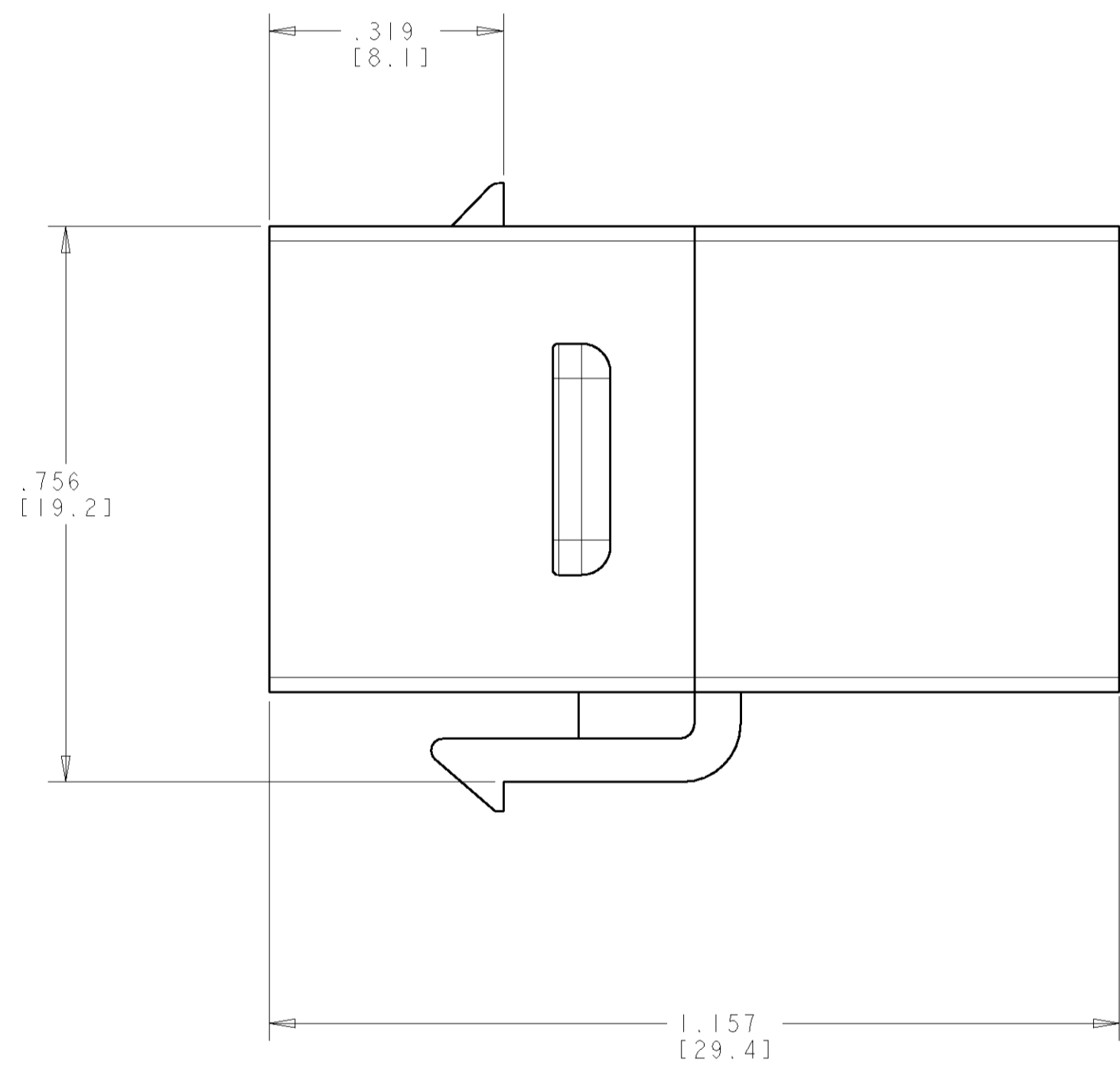
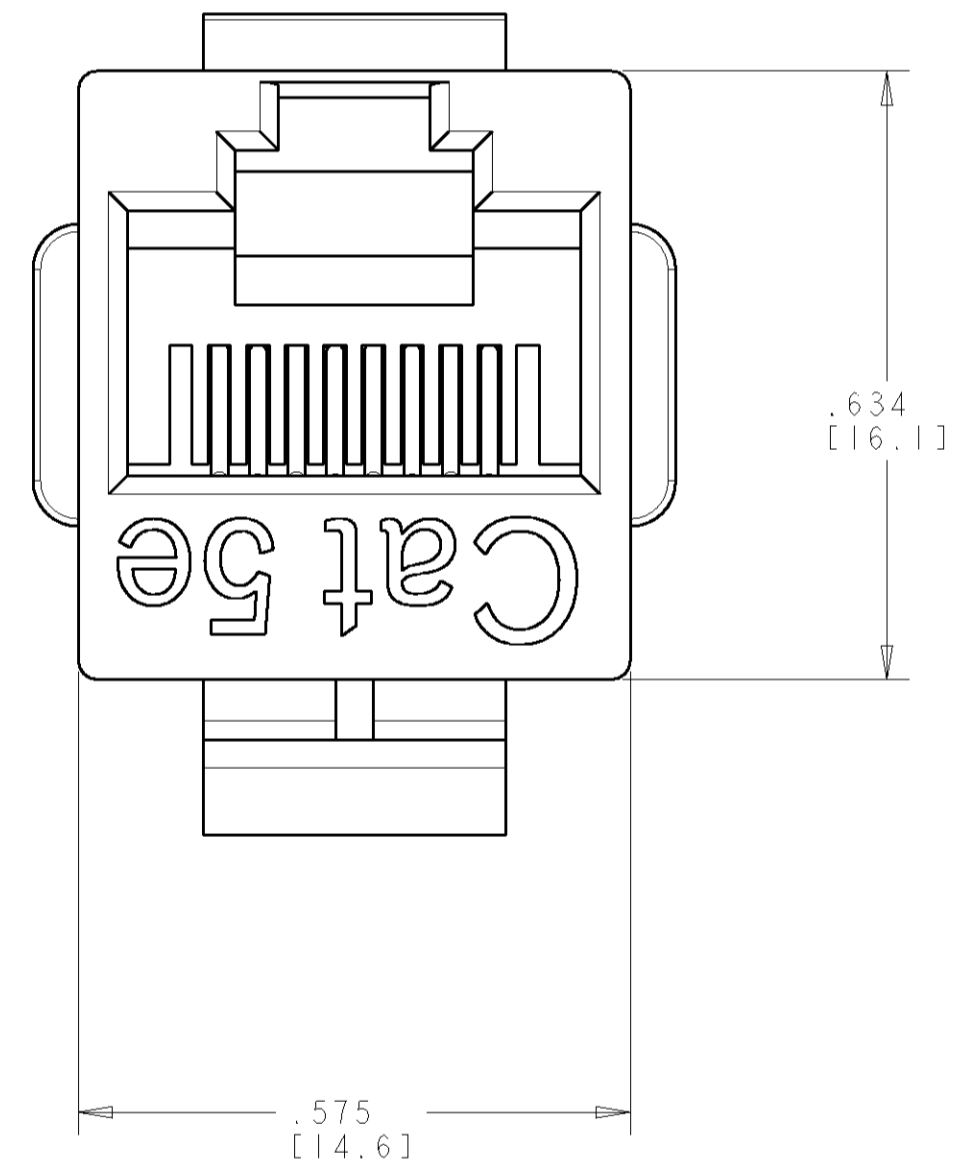
LOC		DIST		REVISIONS			
P	LTB	DESCRIPTION	DATE	BY	CHKD	APPD	
A		RLSD: ECR-04-000282	06JAN2005	GG		SH	
B		ECR 05-005024	07JUL2005	JM		SH	



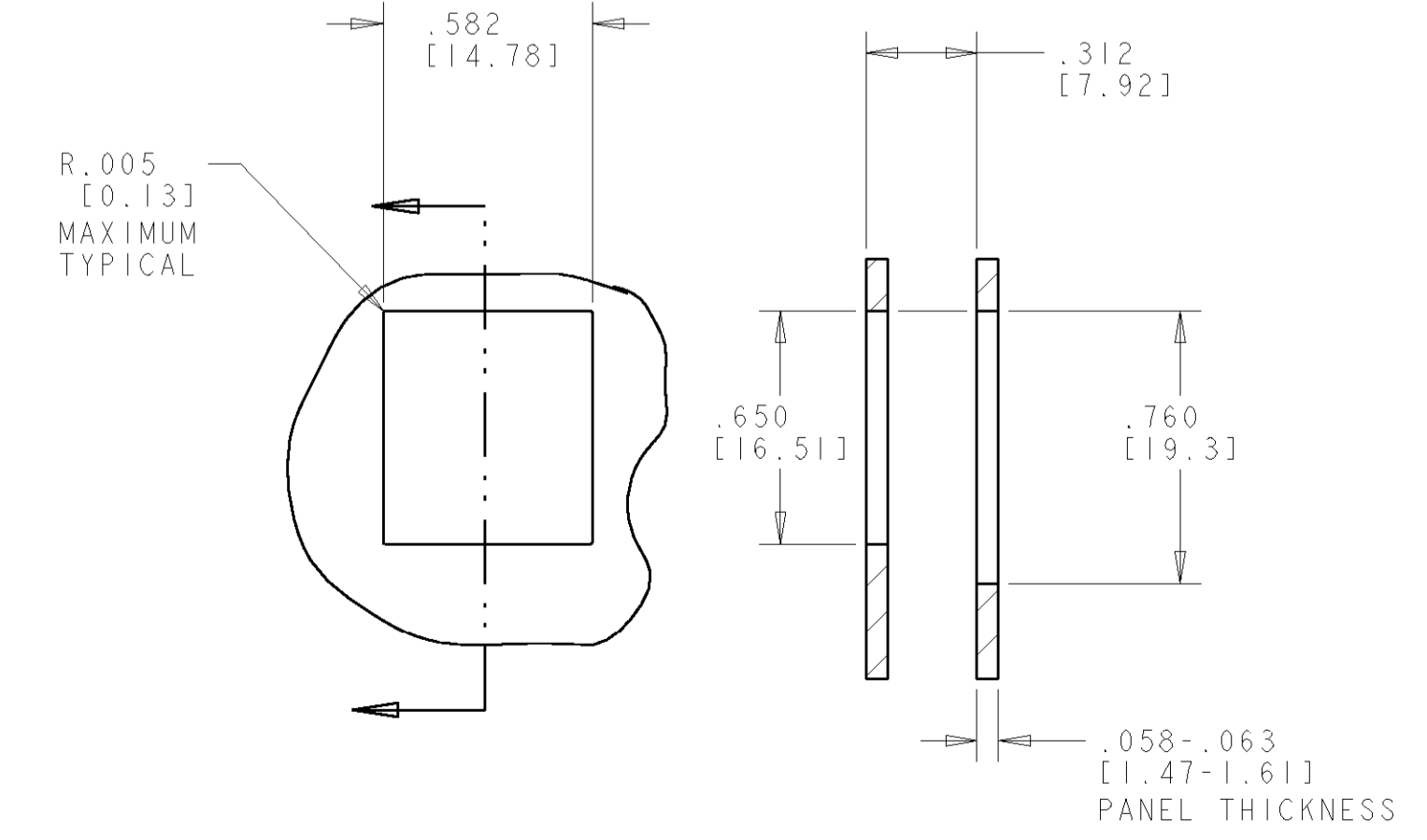
⚠ ALL DIMENSIONS SHOWN ARE NOMINAL UNLESS OTHERWISE SPECIFIED.

⚠ MATERIAL:  
 HOUSING - POLYPHENYLENE OXIDE, BLACK.  
 TERMINAL - .018[0.46] DIA PHOSPHOR BRONZE PLATED WITH .000050 [.00127] MINIMUM THICK GOLD OVER .000100 [.00254] MINIMUM THICK NICKEL.

3. MOUNTING PANEL THICKNESS .062 [1.57] NOMINAL.



SINGLE PANEL CUTOUT



SUGGESTED FLUSH MOUNT PANEL APPLICATION CUTOUT

1479289-2  
 PART NUMBER

DIMENSIONS: INCHES (MM)		TOLERANCES UNLESS OTHERWISE SPECIFIED:		DWN LG GARRETT 06JAN05 CHK S HERNDON 06JAN05 APP S HERNDON 06JAN05		<b>tyco</b> Tyco Electronics Harrisburg, PA 17105-8608	
0 PLC ± 1 PLC ± 2 PLC ± 3 PLC ± 4 PLC ± ANGLES ±	± ± ± ± ±	± ± ± ± ±	± ± ± ± ±	NAME PRODUCT SPEC APPLICATION SPEC WEIGHT CUSTOMER DRAWING	NAME PRODUCT SPEC APPLICATION SPEC WEIGHT CUSTOMER DRAWING	SIZE SCALE 2:1 SHEET 1 of 1 REV B	NOT the LATEST REVISION