

6

5

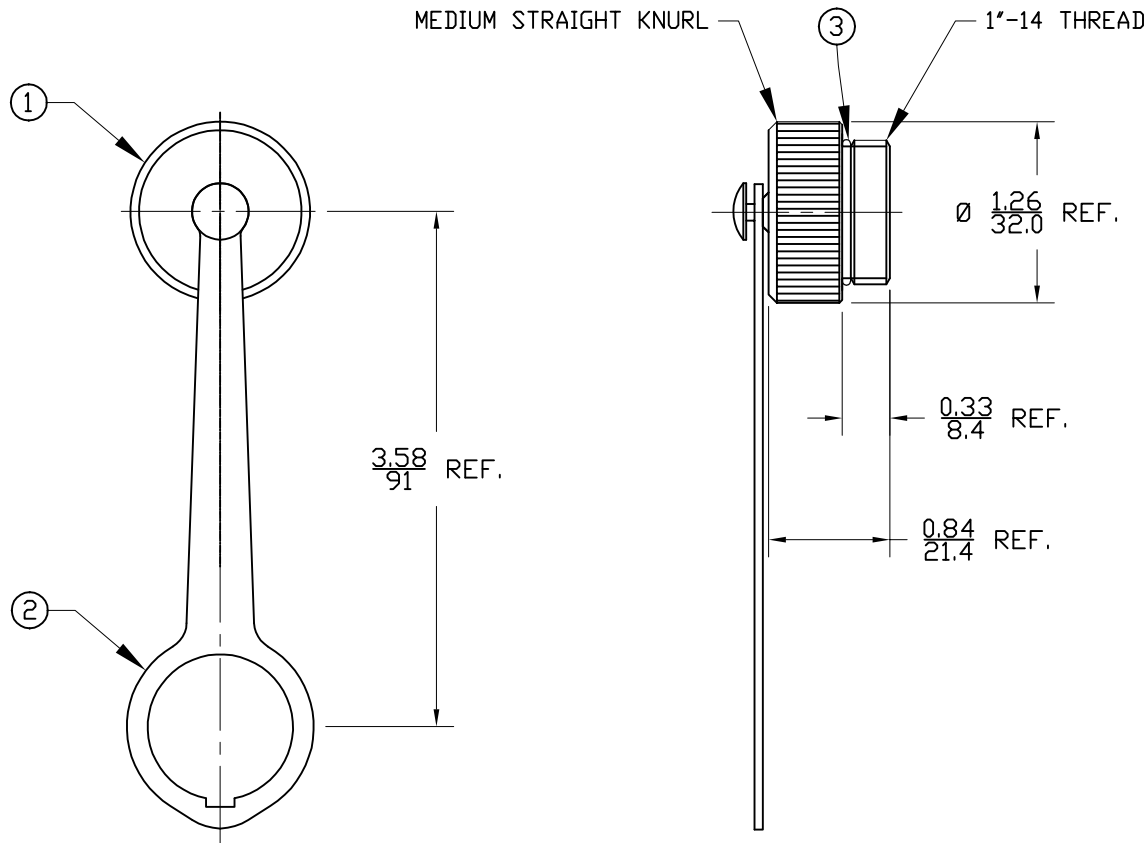
4

3

2

1

SAP P/N#	ENGINEERING NO.
1300580036	67-0301



NOTES:

- 1) MATERIAL: SEE TABLE
- 2) FINISHES: SEE TABLE
- 3) ENVIRONMENTAL PROTECTION: IP67 U/V STABLE
- 4) ASSEMBLY IS RoHS COMPLIANT.

ITEM	QTY.	DESCRIPTION	MATERIAL	FINISH
3	1	O-RING	NITRILE	BLACK
2	1	LANYARD	RUBBER	BLACK
1	1	CLOSURE CAP	ACETAL	BLACK

SD RELEASE EC NO: WNA2010-0137 DRWN: VOU 8/27/09 CHKD: BWOODMAN/09/08/27 APPR: JFMURPHY 2009/08/28	QUALITY SYMBOLS ▽=0 ∇=0	GENERAL TOLERANCES (UNLESS SPECIFIED)		DIMENSION STYLE	SCALE	DESIGN UNITS	THIRD ANGLE PROJECTION		
			mm	INCH	INCH/MM	3:4		INCH	
		4 PLACES	±----	±----	VOU	2009/08/27	TITLE		MALE RJLNXX CAP W/ LNYRD ---- ----
		3 PLACES	±----	±.005	CHECKED BY	DATE	MATERIAL NO.		
2 PLACES	±----	±.010	BWOODMAN	2009/08/31	APPROVED BY		MOLEX INCORPORATED		
1 PLACE	±----	±.020	JFMURPHY	2009/08/27	DATE				
ANGULAR ±1°				SEE CHART		DOCUMENT NO.			
DRAFT WHERE APPLICABLE MUST REMAIN WITHIN DIMENSIONS				SIZE		SHEET NO.			
1				A		SD-130058-002			
				THIS DRAWING CONTAINS INFORMATION THAT IS PROPRIETARY TO MOLEX INCORPORATED AND SHOULD NOT BE USED WITHOUT WRITTEN PERMISSION		1 OF 1			

6

5

4

3

2

1