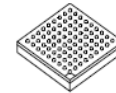


## P2041

# P2041 QorIQ Integrated Processor Hardware Specifications



FCPBGA-780  
23 mm x 23 mm

The P2041 QorIQ integrated communication processor combines four Power Architecture® processor cores with high performance data path acceleration logic and network and peripheral bus interfaces required for networking, telecom/datacom, wireless infrastructure, and aerospace applications.

This chip can be used for combined control, data path, and application layer processing in routers, switches, base station controllers, and general-purpose embedded computing. Its high level of integration offers significant performance benefits compared to multiple discrete devices, while also greatly simplifying board design.

This chip includes the following functions and features:

- Four e500mc Power Architecture cores, each with a backside 128 KB L2 Cache with ECC
    - Three levels of instructions: User, supervisor, and hypervisor
    - Independent boot and reset
    - Secure boot capability
  - CoreNet fabric supporting coherent and non-coherent transactions amongst CoreNet endpoints
  - One 1 MB CoreNet platform cache with ECC
  - CoreNet bridges between the CoreNet fabric the I/Os, data path accelerators, and high and low speed peripheral interfaces
  - One 10-Gigabit Ethernet (XAUI) controller
  - Five 1-Gigabit Ethernet controllers
    - 2.5 Gbps SGMII interfaces
    - RGMII interfaces
  - One 64-bit DDR3 and DDR3L SDRAM memory controller with ECC
  - Multicore programmable interrupt controller
  - Four I<sup>2</sup>C controllers
  - Four 2-pin UARTs or two 4-pin UARTs
  - Two 4-channel DMA engines
  - Enhanced local bus controller (eLBC)
- Three PCI Express 2.0 controllers/ports
  - Two serial RapidIO® controllers/ports (sRIO port) supporting version 1.3 with features 2.1
  - Two serial ATA (SATA 2.0) controllers
  - Enhanced secure digital host controller (SD/MMC)
  - Enhanced serial peripheral interface (eSPI)
  - 2× high-speed USB 2.0 controllers with integrated PHYs

# Table of Contents

1	Pin Assignments and Reset States	3	2.18	I <sup>2</sup> C	80
1.1	780 FC-PBGA Ball Layout Diagrams	4	2.19	GPIO	83
1.2	Pinout List	9	2.20	High-Speed Serial Interfaces (HSSI)	84
2	Electrical Characteristics	37	3	Hardware Design Considerations	114
2.1	Overall DC Electrical Characteristics	37	3.1	System Clocking	114
2.2	Power Up Sequencing	42	3.2	Supply Power Default Setting	121
2.3	Power Down Requirements	44	3.3	Power Supply Design	123
2.4	Power Characteristics	45	3.4	Decoupling Recommendations	125
2.5	Thermal	48	3.5	SerDes Block Power Supply Decoupling Recommendations	125
2.6	Input Clocks	48	3.6	Connection Recommendations	125
2.7	RESET Initialization	51	3.7	Recommended Thermal Model	134
2.8	Power-on Ramp Rate	52	3.8	Thermal Management Information	134
2.9	DDR3 and DDR3L SDRAM Controller	52	4	Package Information	136
2.10	eSPI	59	4.1	Package Parameters for the FC-PBGA	136
2.11	DUART	61	4.2	Mechanical Dimensions of the FC-PBGA	137
2.12	Ethernet: Data path Three-Speed Ethernet (dTSEC), Management Interface, IEEE Std 1588	62	5	Security Fuse Processor	138
2.13	USB	70	6	Ordering Information	138
2.14	Enhanced Local Bus Interface	71	6.1	Part Numbering Nomenclature	138
2.15	Enhanced Secure Digital Host Controller (eSDHC)	75	6.2	Orderable Part Numbers Addressed by this Document	138
2.16	Multicore Programmable Interrupt Controller (MPIC) Specifications	77	7	Revision History	140
2.17	JTAG Controller	78			

This figure shows the major functional units within the chip.

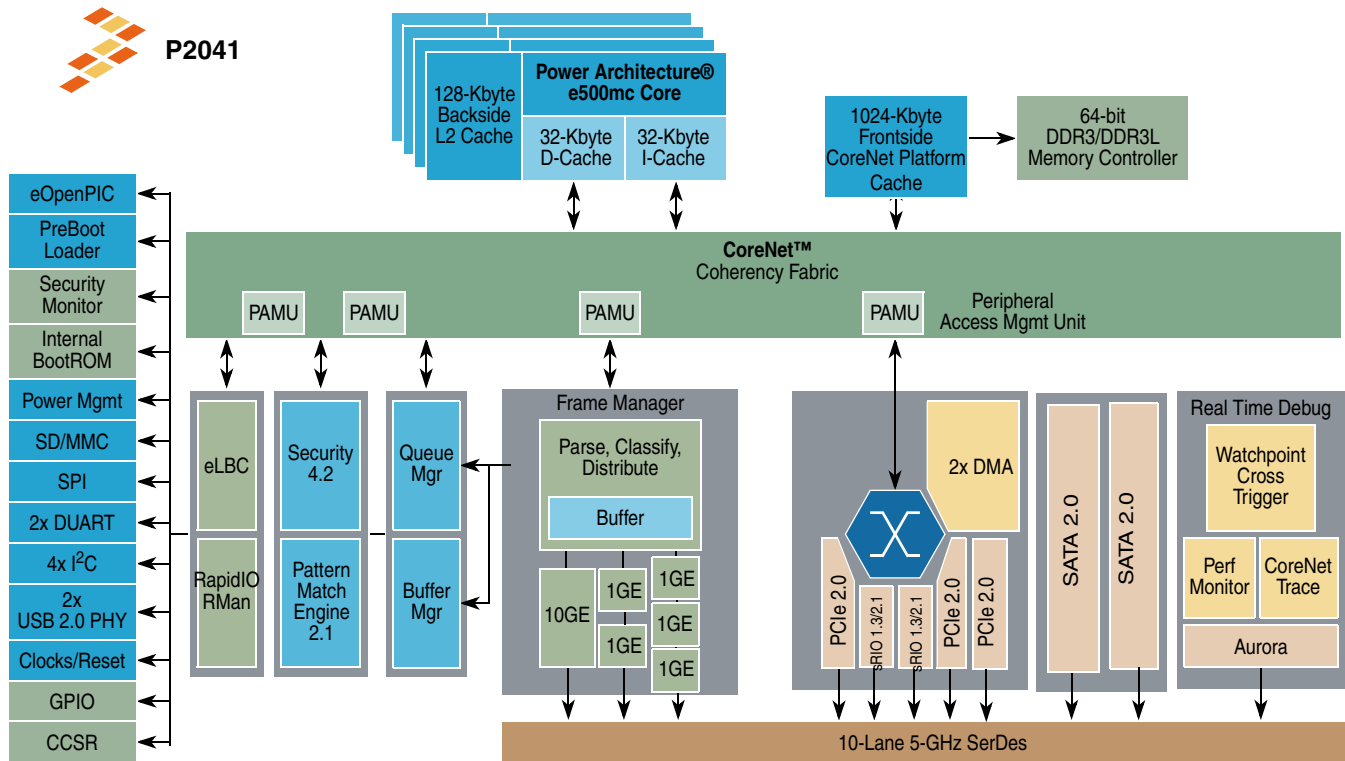


Figure 1. Block Diagram

# 1 Pin Assignments and Reset States

This section provides a top view of the ball layout diagram and four detailed views by quadrant. It also provides a pinout listing by bus.

# 1.1 780 FC-PBGA Ball Layout Diagrams

These figures show the FC-PBGA ball map diagrams.

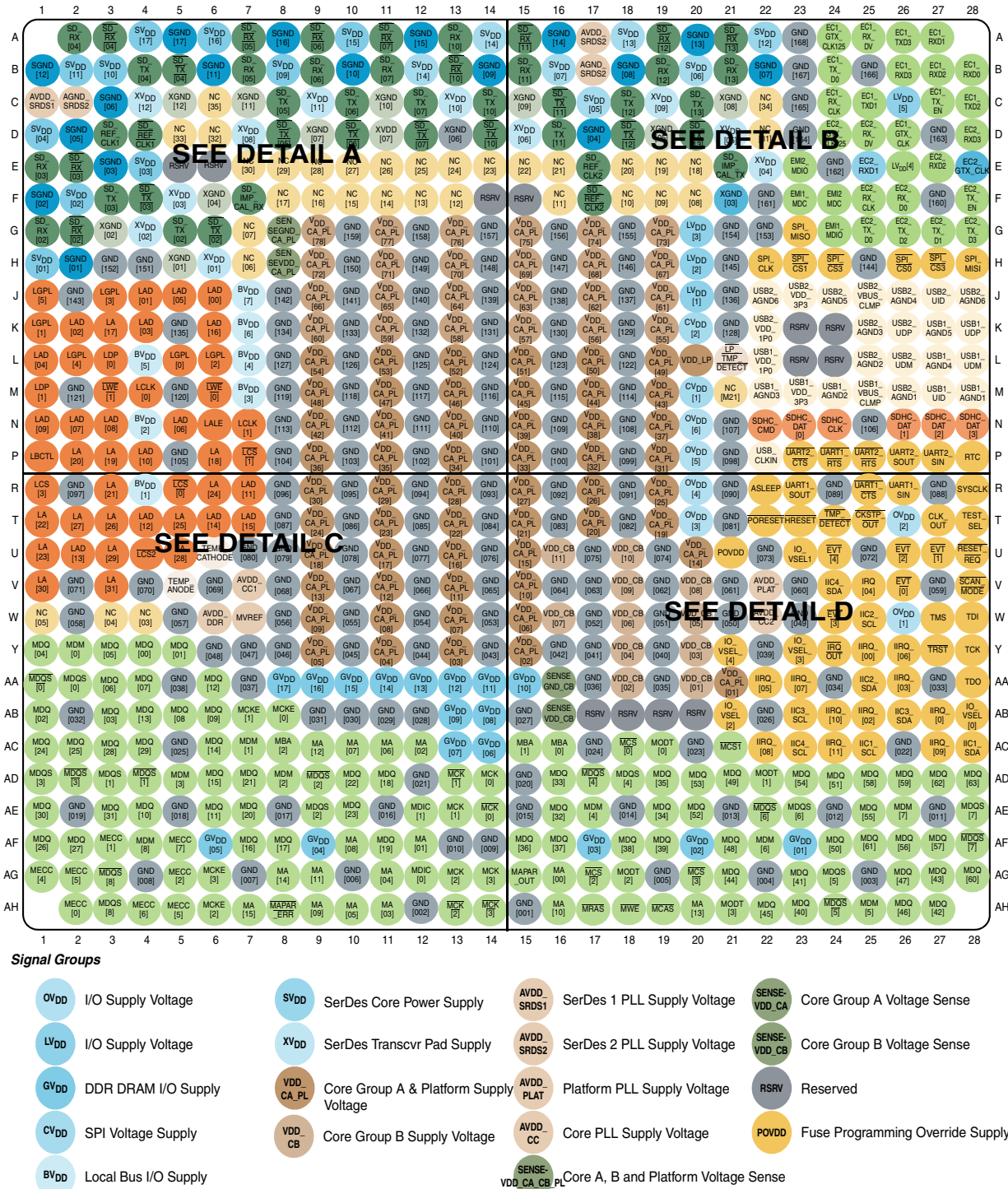


Figure 2. 780 BGA Ball Map Diagram (Top View)

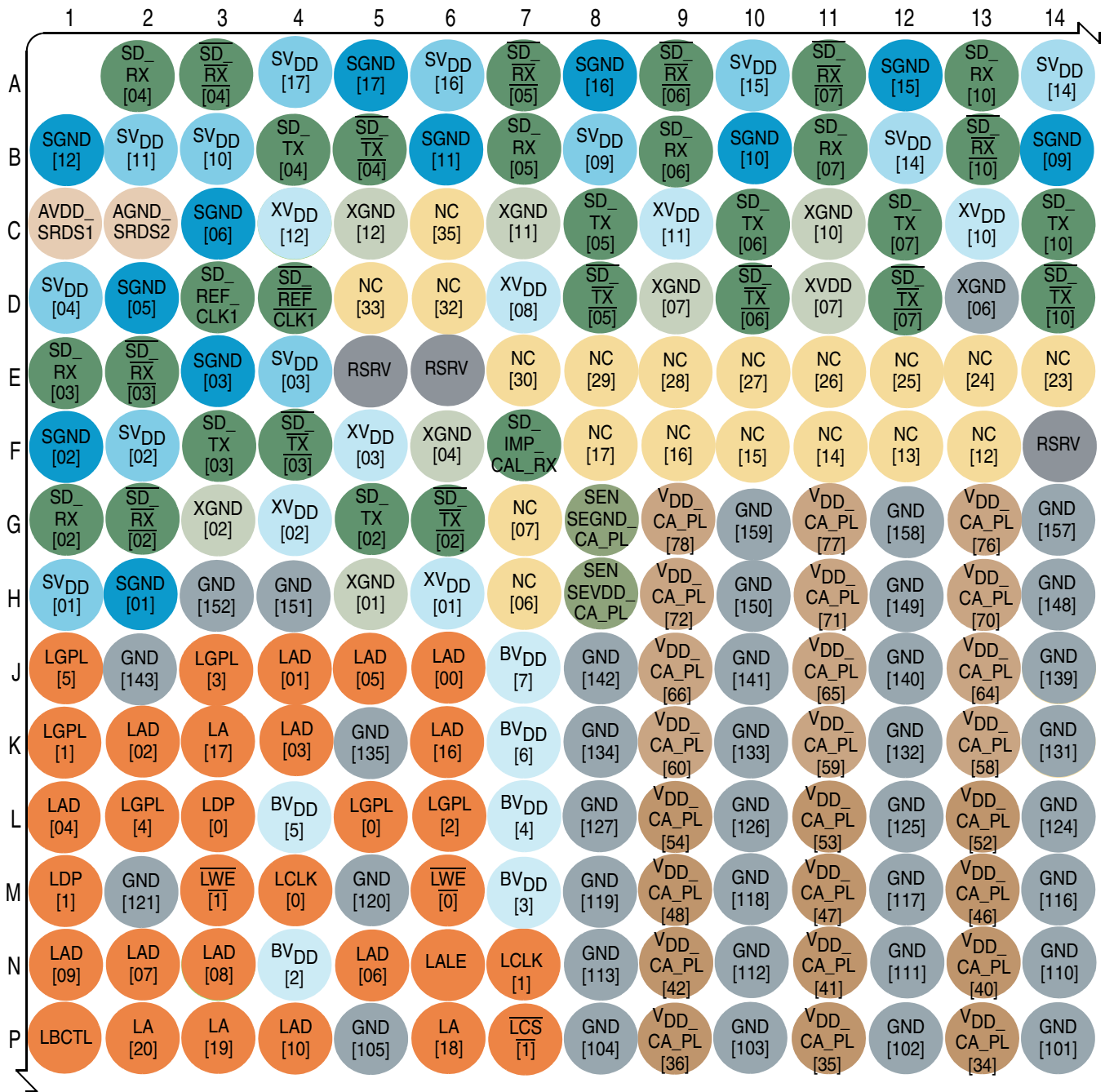


Figure 3. 780 BGA Ball Map Diagram (Detail View A)

Pin Assignments and Reset States

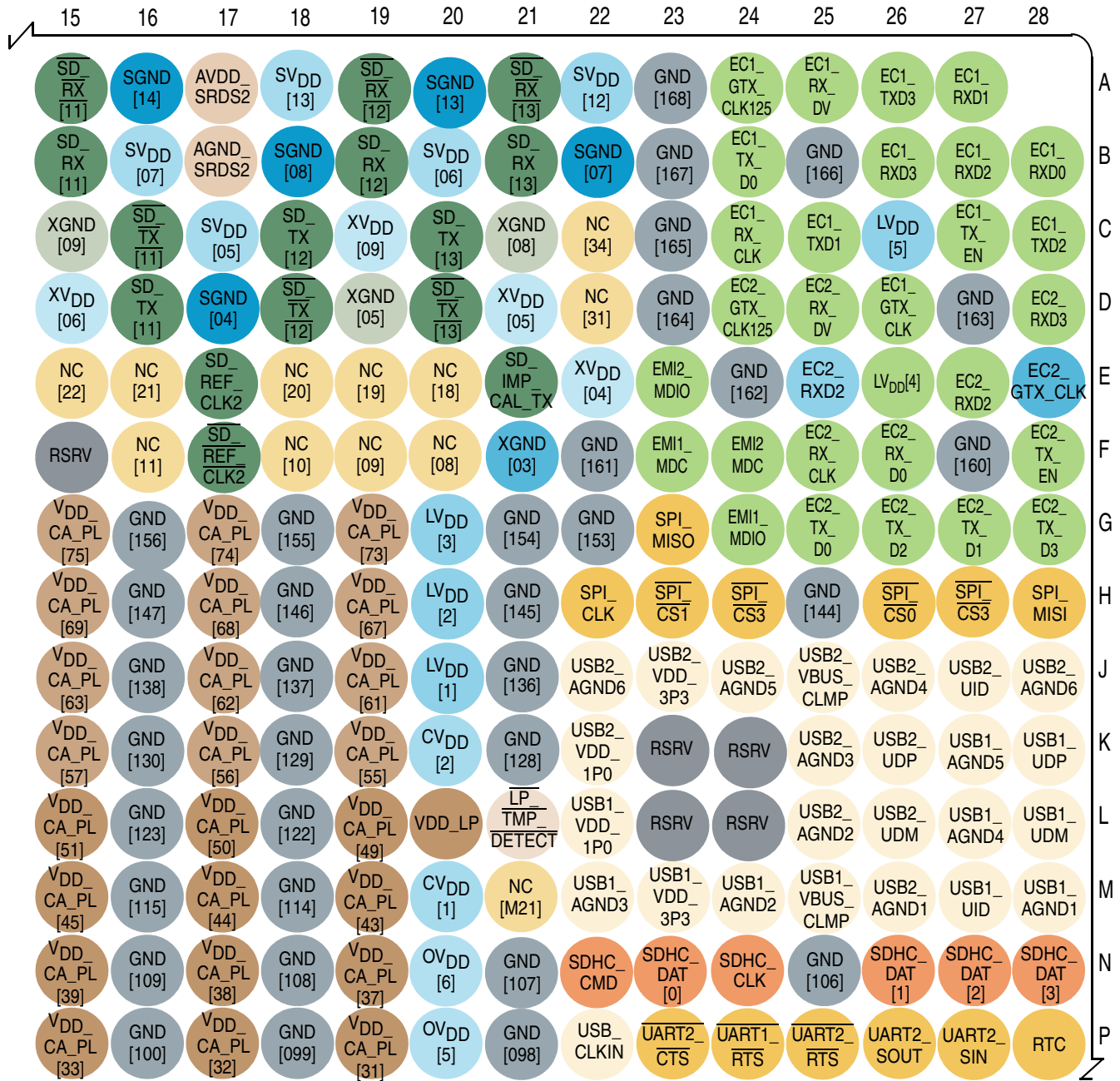


Figure 4. 780 BGA Ball Map Diagram (Detail View B)

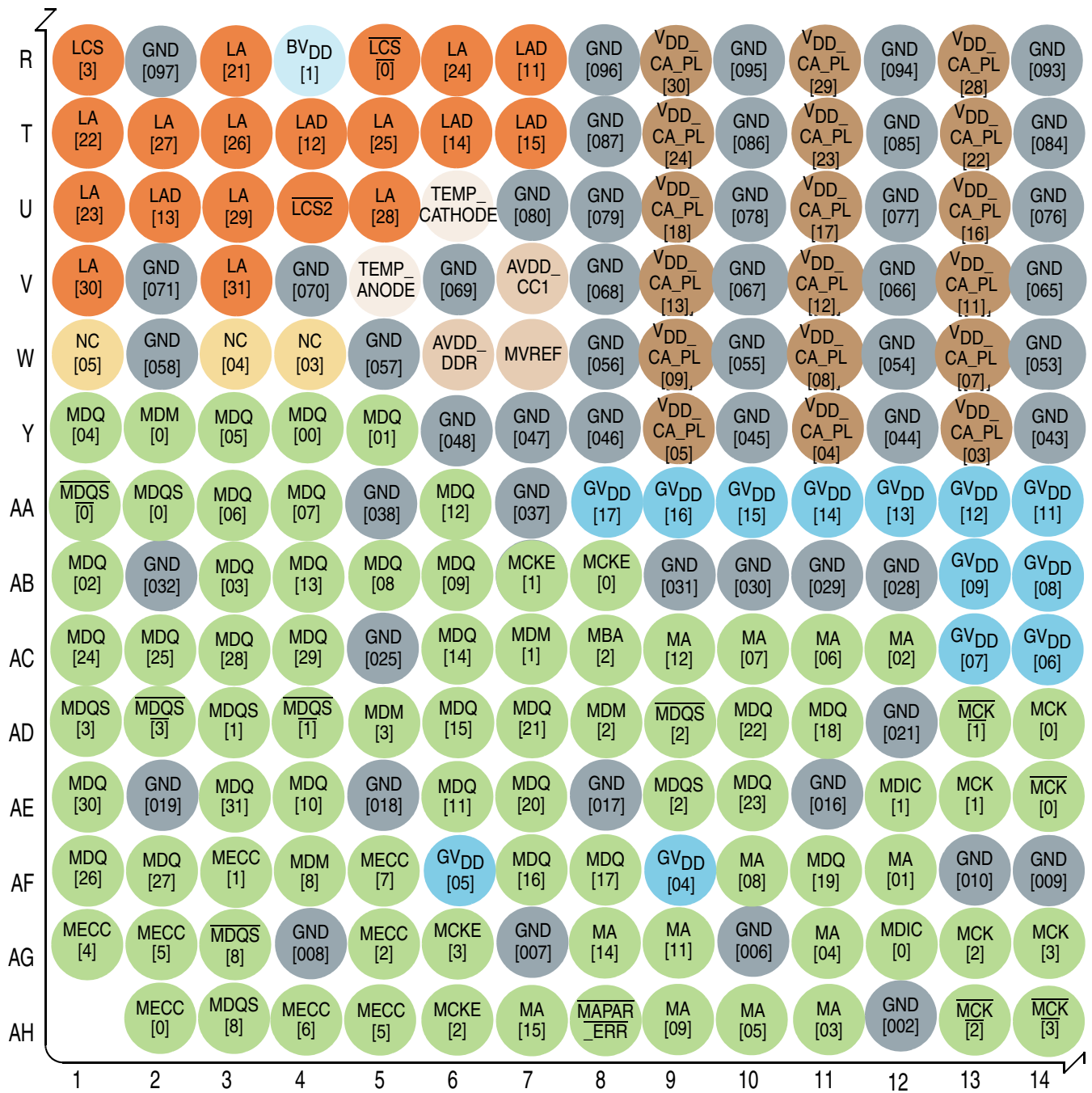


Figure 5. 780 BGA Ball Map Diagram (Detail View C)





## 1.2 Pinout List

This table provides the pinout listing for the 780 FC-PBGA package by bus. Pins for multiplexed signals appear in the bus group for their default status and have a corresponding note stating that they have multiple functionality depending on the mode in which they are configured.

**Table 1. Pin List by Bus**

Signal	Signal Description	Package Pin Number	Pin Type	Power Supply	Note
<b>DDR SDRAM Memory Interface</b>					
MDQ00	Data	Y4	I/O	GV <sub>DD</sub>	—
MDQ01	Data	Y5	I/O	GV <sub>DD</sub>	—
MDQ02	Data	AB1	I/O	GV <sub>DD</sub>	—
MDQ03	Data	AB3	I/O	GV <sub>DD</sub>	—
MDQ04	Data	Y1	I/O	GV <sub>DD</sub>	—
MDQ05	Data	Y3	I/O	GV <sub>DD</sub>	—
MDQ06	Data	AA3	I/O	GV <sub>DD</sub>	—
MDQ07	Data	AA4	I/O	GV <sub>DD</sub>	—
MDQ08	Data	AB5	I/O	GV <sub>DD</sub>	—
MDQ09	Data	AB6	I/O	GV <sub>DD</sub>	—
MDQ10	Data	AE4	I/O	GV <sub>DD</sub>	—
MDQ11	Data	AE6	I/O	GV <sub>DD</sub>	—
MDQ12	Data	AA6	I/O	GV <sub>DD</sub>	—
MDQ13	Data	AB4	I/O	GV <sub>DD</sub>	—
MDQ14	Data	AC6	I/O	GV <sub>DD</sub>	—
MDQ15	Data	AD6	I/O	GV <sub>DD</sub>	—
MDQ16	Data	AF7	I/O	GV <sub>DD</sub>	—
MDQ17	Data	AF8	I/O	GV <sub>DD</sub>	—
MDQ18	Data	AD11	I/O	GV <sub>DD</sub>	—
MDQ19	Data	AF11	I/O	GV <sub>DD</sub>	—
MDQ20	Data	AE7	I/O	GV <sub>DD</sub>	—
MDQ21	Data	AD7	I/O	GV <sub>DD</sub>	—
MDQ22	Data	AD10	I/O	GV <sub>DD</sub>	—
MDQ23	Data	AE10	I/O	GV <sub>DD</sub>	—
MDQ24	Data	AC1	I/O	GV <sub>DD</sub>	—
MDQ25	Data	AC2	I/O	GV <sub>DD</sub>	—
MDQ26	Data	AF1	I/O	GV <sub>DD</sub>	—
MDQ27	Data	AF2	I/O	GV <sub>DD</sub>	—
MDQ28	Data	AC3	I/O	GV <sub>DD</sub>	—

Table 1. Pin List by Bus (continued)

Signal	Signal Description	Package Pin Number	Pin Type	Power Supply	Note
MDQ29	Data	AC4	I/O	GV <sub>DD</sub>	—
MDQ30	Data	AE1	I/O	GV <sub>DD</sub>	—
MDQ31	Data	AE3	I/O	GV <sub>DD</sub>	—
MDQ32	Data	AE16	I/O	GV <sub>DD</sub>	—
MDQ33	Data	AD16	I/O	GV <sub>DD</sub>	—
MDQ34	Data	AE19	I/O	GV <sub>DD</sub>	—
MDQ35	Data	AD19	I/O	GV <sub>DD</sub>	—
MDQ36	Data	AF15	I/O	GV <sub>DD</sub>	—
MDQ37	Data	AF16	I/O	GV <sub>DD</sub>	—
MDQ38	Data	AF18	I/O	GV <sub>DD</sub>	—
MDQ39	Data	AF19	I/O	GV <sub>DD</sub>	—
MDQ40	Data	AH23	I/O	GV <sub>DD</sub>	—
MDQ41	Data	AG23	I/O	GV <sub>DD</sub>	—
MDQ42	Data	AH27	I/O	GV <sub>DD</sub>	—
MDQ43	Data	AG27	I/O	GV <sub>DD</sub>	—
MDQ44	Data	AG21	I/O	GV <sub>DD</sub>	—
MDQ45	Data	AH22	I/O	GV <sub>DD</sub>	—
MDQ46	Data	AH26	I/O	GV <sub>DD</sub>	—
MDQ47	Data	AG26	I/O	GV <sub>DD</sub>	—
MDQ48	Data	AF21	I/O	GV <sub>DD</sub>	—
MDQ49	Data	AD21	I/O	GV <sub>DD</sub>	—
MDQ50	Data	AF24	I/O	GV <sub>DD</sub>	—
MDQ51	Data	AD24	I/O	GV <sub>DD</sub>	—
MDQ52	Data	AE20	I/O	GV <sub>DD</sub>	—
MDQ53	Data	AD20	I/O	GV <sub>DD</sub>	—
MDQ54	Data	AD23	I/O	GV <sub>DD</sub>	—
MDQ55	Data	AE25	I/O	GV <sub>DD</sub>	—
MDQ56	Data	AF26	I/O	GV <sub>DD</sub>	—
MDQ57	Data	AF27	I/O	GV <sub>DD</sub>	—
MDQ58	Data	AD25	I/O	GV <sub>DD</sub>	—
MDQ59	Data	AD26	I/O	GV <sub>DD</sub>	—
MDQ60	Data	AG28	I/O	GV <sub>DD</sub>	—
MDQ61	Data	AF25	I/O	GV <sub>DD</sub>	—
MDQ62	Data	AD27	I/O	GV <sub>DD</sub>	—

Table 1. Pin List by Bus (continued)

Signal	Signal Description	Package Pin Number	Pin Type	Power Supply	Note
MDQ63	Data	AD28	I/O	GV <sub>DD</sub>	—
MECC0	Error Correcting Code	AH2	I/O	GV <sub>DD</sub>	—
MECC1	Error Correcting Code	AF3	I/O	GV <sub>DD</sub>	—
MECC2	Error Correcting Code	AG5	I/O	GV <sub>DD</sub>	—
MECC3	Error Correcting Code	AH5	I/O	GV <sub>DD</sub>	—
MECC4	Error Correcting Code	AG1	I/O	GV <sub>DD</sub>	—
MECC5	Error Correcting Code	AG2	I/O	GV <sub>DD</sub>	—
MECC6	Error Correcting Code	AH4	I/O	GV <sub>DD</sub>	—
MECC7	Error Correcting Code	AF5	I/O	GV <sub>DD</sub>	—
$\overline{\text{MAPAR\_ERR}}$	Address Parity Error	AH8	I	GV <sub>DD</sub>	4
MAPAR_OUT	Address Parity Out	AG15	O	GV <sub>DD</sub>	—
MDM0	Data Mask	Y2	O	GV <sub>DD</sub>	—
MDM1	Data Mask	AC7	O	GV <sub>DD</sub>	—
MDM2	Data Mask	AD8	O	GV <sub>DD</sub>	—
MDM3	Data Mask	AD5	O	GV <sub>DD</sub>	—
MDM4	Data Mask	AE17	O	GV <sub>DD</sub>	—
MDM5	Data Mask	AH25	O	GV <sub>DD</sub>	—
MDM6	Data Mask	AF22	O	GV <sub>DD</sub>	—
MDM7	Data Mask	AE26	O	GV <sub>DD</sub>	—
MDM8	Data Mask	AF4	O	GV <sub>DD</sub>	—
MDQS0	Data Strobe	AA2	I/O	GV <sub>DD</sub>	—
MDQS1	Data Strobe	AD3	I/O	GV <sub>DD</sub>	—
MDQS2	Data Strobe	AE9	I/O	GV <sub>DD</sub>	—
MDQS3	Data Strobe	AD1	I/O	GV <sub>DD</sub>	—
MDQS4	Data Strobe	AD18	I/O	GV <sub>DD</sub>	—
MDQS5	Data Strobe	AG24	I/O	GV <sub>DD</sub>	—
MDQS6	Data Strobe	AE23	I/O	GV <sub>DD</sub>	—
MDQS7	Data Strobe	AE28	I/O	GV <sub>DD</sub>	—
MDQS8	Data Strobe	AH3	I/O	GV <sub>DD</sub>	—
$\overline{\text{MDQS0}}$	Data Strobe	AA1	I/O	GV <sub>DD</sub>	—
$\overline{\text{MDQS1}}$	Data Strobe	AD4	I/O	GV <sub>DD</sub>	—
$\overline{\text{MDQS2}}$	Data Strobe	AD9	I/O	GV <sub>DD</sub>	—
$\overline{\text{MDQS3}}$	Data Strobe	AD2	I/O	GV <sub>DD</sub>	—
$\overline{\text{MDQS4}}$	Data Strobe	AD17	I/O	GV <sub>DD</sub>	—

Table 1. Pin List by Bus (continued)

Signal	Signal Description	Package Pin Number	Pin Type	Power Supply	Note
$\overline{\text{MDQS5}}$	Data Strobe	AH24	I/O	$\text{GV}_{\text{DD}}$	—
$\overline{\text{MDQS6}}$	Data Strobe	AE22	I/O	$\text{GV}_{\text{DD}}$	—
$\overline{\text{MDQS7}}$	Data Strobe	AF28	I/O	$\text{GV}_{\text{DD}}$	—
$\overline{\text{MDQS8}}$	Data Strobe	AG3	I/O	$\text{GV}_{\text{DD}}$	—
MBA0	Bank Select	AC16	O	$\text{GV}_{\text{DD}}$	—
MBA1	Bank Select	AC15	O	$\text{GV}_{\text{DD}}$	—
MBA2	Bank Select	AC8	O	$\text{GV}_{\text{DD}}$	—
MA00	Address	AG16	O	$\text{GV}_{\text{DD}}$	—
MA01	Address	AF12	O	$\text{GV}_{\text{DD}}$	—
MA02	Address	AC12	O	$\text{GV}_{\text{DD}}$	—
MA03	Address	AH11	O	$\text{GV}_{\text{DD}}$	—
MA04	Address	AG11	O	$\text{GV}_{\text{DD}}$	—
MA05	Address	AH10	O	$\text{GV}_{\text{DD}}$	—
MA06	Address	AC11	O	$\text{GV}_{\text{DD}}$	—
MA07	Address	AC10	O	$\text{GV}_{\text{DD}}$	—
MA08	Address	AF10	O	$\text{GV}_{\text{DD}}$	—
MA09	Address	AH9	O	$\text{GV}_{\text{DD}}$	—
MA10	Address	AH16	O	$\text{GV}_{\text{DD}}$	—
MA11	Address	AG9	O	$\text{GV}_{\text{DD}}$	—
MA12	Address	AC9	O	$\text{GV}_{\text{DD}}$	—
MA13	Address	AH20	O	$\text{GV}_{\text{DD}}$	—
MA14	Address	AG8	O	$\text{GV}_{\text{DD}}$	—
MA15	Address	AH7	O	$\text{GV}_{\text{DD}}$	—
$\overline{\text{MWE}}$	Write Enable	AH18	O	$\text{GV}_{\text{DD}}$	—
$\overline{\text{MRAS}}$	Row Address Strobe	AH17	O	$\text{GV}_{\text{DD}}$	—
$\overline{\text{MCAS}}$	Column Address Strobe	AH19	O	$\text{GV}_{\text{DD}}$	—
$\overline{\text{MCS0}}$	Chip Select	AC18	O	$\text{GV}_{\text{DD}}$	—
$\overline{\text{MCS1}}$	Chip Select	AC21	O	$\text{GV}_{\text{DD}}$	—
$\overline{\text{MCS2}}$	Chip Select	AG17	O	$\text{GV}_{\text{DD}}$	—
$\overline{\text{MCS3}}$	Chip Select	AG20	O	$\text{GV}_{\text{DD}}$	—
MCKE0	Clock Enable	AB8	O	$\text{GV}_{\text{DD}}$	—
MCKE1	Clock Enable	AB7	O	$\text{GV}_{\text{DD}}$	—
MCKE2	Clock Enable	AH6	O	$\text{GV}_{\text{DD}}$	—
MCKE3	Clock Enable	AG6	O	$\text{GV}_{\text{DD}}$	—

Table 1. Pin List by Bus (continued)

Signal	Signal Description	Package Pin Number	Pin Type	Power Supply	Note
MCK0	Clock	AD14	O	GV <sub>DD</sub>	—
MCK1	Clock	AE13	O	GV <sub>DD</sub>	—
MCK2	Clock	AG13	O	GV <sub>DD</sub>	—
MCK3	Clock	AG14	O	GV <sub>DD</sub>	—
$\overline{\text{MCK0}}$	Clock Complements	AE14	O	GV <sub>DD</sub>	—
$\overline{\text{MCK1}}$	Clock Complements	AD13	O	GV <sub>DD</sub>	—
$\overline{\text{MCK2}}$	Clock Complements	AH13	O	GV <sub>DD</sub>	—
$\overline{\text{MCK3}}$	Clock Complements	AH14	O	GV <sub>DD</sub>	—
MODT0	On Die Termination	AC19	O	GV <sub>DD</sub>	—
MODT1	On Die Termination	AD22	O	GV <sub>DD</sub>	—
MODT2	On Die Termination	AG18	O	GV <sub>DD</sub>	—
MODT3	On Die Termination	AH21	O	GV <sub>DD</sub>	—
MDIC0	Driver Impedance Calibration	AG12	I/O	GV <sub>DD</sub>	16
MDIC1	Driver Impedance Calibration	AE12	I/O	GV <sub>DD</sub>	16
<b>Local Bus Controller Interface</b>					
LAD00	Muxed Data/Address	J6	I/O	BV <sub>DD</sub>	3
LAD01	Muxed Data/Address	J4	I/O	BV <sub>DD</sub>	3
LAD02	Muxed Data/Address	K2	I/O	BV <sub>DD</sub>	3
LAD03	Muxed Data/Address	K4	I/O	BV <sub>DD</sub>	3
LAD04	Muxed Data/Address	L1	I/O	BV <sub>DD</sub>	3
LAD05	Muxed Data/Address	J5	I/O	BV <sub>DD</sub>	3
LAD06	Muxed Data/Address	N5	I/O	BV <sub>DD</sub>	3
LAD07	Muxed Data/Address	N2	I/O	BV <sub>DD</sub>	3
LAD08	Muxed Data/Address	N3	I/O	BV <sub>DD</sub>	3
LAD09	Muxed Data/Address	N1	I/O	BV <sub>DD</sub>	3
LAD10	Muxed Data/Address	P4	I/O	BV <sub>DD</sub>	3
LAD11	Muxed Data/Address	R7	I/O	BV <sub>DD</sub>	3
LAD12	Muxed Data/Address	T4	I/O	BV <sub>DD</sub>	3
LAD13	Muxed Data/Address	U2	I/O	BV <sub>DD</sub>	3
LAD14	Muxed Data/Address	T6	I/O	BV <sub>DD</sub>	3
LAD15	Muxed Data/Address	T7	I/O	BV <sub>DD</sub>	3
LA16	Address	K6	I/O	BV <sub>DD</sub>	31
LA17	Address	K3	I/O	BV <sub>DD</sub>	37
LA18	Address	P6	I/O	BV <sub>DD</sub>	31

Table 1. Pin List by Bus (continued)

Signal	Signal Description	Package Pin Number	Pin Type	Power Supply	Note
LA19	Address	P3	I/O	BV <sub>DD</sub>	31
LA20	Address	P2	I/O	BV <sub>DD</sub>	31
LA21	Address	R3	I/O	BV <sub>DD</sub>	31
LA22	Address	T1	I/O	BV <sub>DD</sub>	31
LA23	Address	U1	I/O	BV <sub>DD</sub>	3
LA24	Address	R6	I/O	BV <sub>DD</sub>	3
LA25	Address	T5	I/O	BV <sub>DD</sub>	31
LA26	Address	T3	I/O	BV <sub>DD</sub>	3, 29
LA27	Address	T2	O	BV <sub>DD</sub>	—
LA28	Address	U5	I/O	BV <sub>DD</sub>	—
LA29	Address	U3	I/O	BV <sub>DD</sub>	—
LA30	Address	V1	I/O	BV <sub>DD</sub>	—
LA31	Address	V3	I/O	BV <sub>DD</sub>	—
LDP0	Data Parity	L3	I/O	BV <sub>DD</sub>	—
LDP1	Data Parity	M1	I/O	BV <sub>DD</sub>	—
$\overline{\text{LCS0}}$	Chip Selects	R5	O	BV <sub>DD</sub>	5
$\overline{\text{LCS1}}$	Chip Selects	P7	O	BV <sub>DD</sub>	5
$\overline{\text{LCS2}}$	Chip Selects	U4	O	BV <sub>DD</sub>	5
$\overline{\text{LCS3}}$	Chip Selects	R1	O	BV <sub>DD</sub>	5
$\overline{\text{LWE0}}$	Write Enable	M6	O	BV <sub>DD</sub>	—
$\overline{\text{LWE1}}$	Write Enable	M3	O	BV <sub>DD</sub>	—
LBCTL	Buffer Control	P1	O	BV <sub>DD</sub>	—
LALE	Address Latch Enable	N6	I/O	BV <sub>DD</sub>	—
LGPL0/LFCLE	UPM General Purpose Line 0/ LFCLE—FCM	L5	O	BV <sub>DD</sub>	3, 4
LGPL1/LFALE	UPM General Purpose Line 1/ LFALE—FCM	K1	O	BV <sub>DD</sub>	3, 4
LGPL2/ $\overline{\text{LOE}}$ / $\overline{\text{LFRE}}$	UPM General Purpose Line 2/ LOE_B—Output Enable	L6	O	BV <sub>DD</sub>	3, 4
LGPL3/ $\overline{\text{LFWP}}$	UPM General Purpose Line 3/ LFWP_B—FCM	J3	O	BV <sub>DD</sub>	3, 4
LGPL4/ $\overline{\text{LGTA}}$ /LUPWAIT/LPBSE	UPM General Purpose Line 4/ LGTA_B—FCM	L2	I/O	BV <sub>DD</sub>	36
LGPL5	UPM General Purpose Line 5 / Amux	J1	O	BV <sub>DD</sub>	3, 4
LCLK0	Local Bus Clock	M4	O	BV <sub>DD</sub>	—
LCLK1	Local Bus Clock	N7	O	BV <sub>DD</sub>	—

Table 1. Pin List by Bus (continued)

Signal	Signal Description	Package Pin Number	Pin Type	Power Supply	Note
<b>DMA</b>					
DMA1_DREQ0/IIC4_SCL/EVT5/M1SRCID1/LB_SRCID1/GPIO18	DMA1 Channel 0 Request	AC23	I	OV <sub>DD</sub>	24
DMA1_DACK0/IIC3_SCL/GPIO16/SDHC_CD/M1DVAL/LB_DVAL	DMA1 Channel 0 Acknowledge	AB23	O	OV <sub>DD</sub>	2, 14
DMA1_DDONE0/IIC3_SDA/GPIO17/M1SRCID0/LB_SRCID0/SDHC_WP	DMA1 Channel 0 Done	AB26	O	OV <sub>DD</sub>	2, 14
DMA2_DREQ0/IRQ03/GPIO21	DMA2 Channel 0 Request	AA26	I	OV <sub>DD</sub>	24
DMA2_DACK0/IRQ04/GPIO22	DMA2 Channel 0 Acknowledge	V25	O	OV <sub>DD</sub>	24
DMA2_DDONE0/IRQ05/GPIO23	DMA2 Channel 0 Done	AA22	O	OV <sub>DD</sub>	24
<b>USB Host Port 1</b>					
USB1_UDP	USB1 PHY Data Plus	K28	I/O	USB_V <sub>DD-3P</sub> <sub>3</sub>	—
USB1_UDM	USB1 PHY Data Minus	L28	I/O	USB_V <sub>DD-3P</sub> <sub>3</sub>	—
USB1_VBUS_CLMP	USB1 PHY VBUS Divided Signals	M25	I	USB_V <sub>DD-3P</sub> <sub>3</sub>	34
USB1_UID	USB1 PHY ID Detect	M27	I	USB_V <sub>DD-3P</sub> <sub>3</sub>	—
USB_CLKIN	USB PHY Clock Input	P22	I	OV <sub>DD</sub>	—
USB1_DRVVBUS/GPIO24/IRQ6	USB1 5V Supply Enable	Y26	O	OV <sub>DD</sub>	—
USB1_PWRFAULT/GPIO25/IRQ7	USB Power Fault	AA23	I	OV <sub>DD</sub>	—
<b>USB Host Port 2</b>					
USB2_UDP	USB2 PHY Data Plus	K26	I/O	USB_V <sub>DD-3P</sub> <sub>3</sub>	—
USB2_UDM	USB2 PHY Data Minus	L26	I/O	USB_V <sub>DD-3P</sub> <sub>3</sub>	—
USB2_VBUS_CLMP	USB2 PHY VBUS Divided Signals	J25	I	USB_V <sub>DD-3P</sub> <sub>3</sub>	34
USB2_UID	USB2 PHY ID Detect	J27	I	USB_V <sub>DD-3P</sub> <sub>3</sub>	—
USB2_DRVVBUS/GPIO26/IRQ8	USB2 5V Supply Enable	AC22	I/O	OV <sub>DD</sub>	—
USB2_PWRFAULT/GPIO27/IRQ9	USB2 Power Fault	AC27	I/O	OV <sub>DD</sub>	—
<b>Programmable Interrupt Controller</b>					
IRQ00	External Interrupts	Y25	I	OV <sub>DD</sub>	—
IRQ01	External Interrupts	AB27	I	OV <sub>DD</sub>	—
IRQ02	External Interrupts	AB25	I	OV <sub>DD</sub>	—
IRQ03/GPIO21/DMA2_DREQ0	External Interrupts	AA26	I	OV <sub>DD</sub>	24
IRQ04/GPIO22/DMA2_DACK0	External Interrupts	V25	I	OV <sub>DD</sub>	24

Table 1. Pin List by Bus (continued)

Signal	Signal Description	Package Pin Number	Pin Type	Power Supply	Note
IRQ05/GPIO23/DMA2_DDONE0	External Interrupts	AA22	I	OV <sub>DD</sub>	24
IRQ06/GPIO24/USB1_DRVVBUS	External Interrupts	Y26	I	OV <sub>DD</sub>	24
IRQ07/GPIO25/USB1_PWRFAULT	External Interrupts	AA23	I	OV <sub>DD</sub>	24
IRQ08/GPIO26/USB2_DRVVBUS	External Interrupts	AC22	I	OV <sub>DD</sub>	24
IRQ09/GPIO27/USB2_PWRFAULT	External Interrupts	AC27	I	OV <sub>DD</sub>	24
IRQ10/GPIO28/EVT7	External Interrupts	AB24	I	OV <sub>DD</sub>	24
IRQ11/GPIO29/EVT8	External Interrupts	AC24	I	OV <sub>DD</sub>	24
IRQ_OUT/EVT9	Interrupt Output	Y24	O	OV <sub>DD</sub>	1, 2, 24
<b>Trust</b>					
TMP_DETECT	Tamper Detect	T24	I	OV <sub>DD</sub>	25
LP_TMP_DETECT	Low Power Tamper Detect	L21	I	V <sub>DD_LP</sub>	25
<b>eSDHC</b>					
SDHC_CMD	Command/Response	N22	I/O	CV <sub>DD</sub>	—
SDHC_DAT0	Data	N23	I/O	CV <sub>DD</sub>	—
SDHC_DAT1	Data	N26	I/O	CV <sub>DD</sub>	—
SDHC_DAT2	Data	N27	I/O	CV <sub>DD</sub>	—
SDHC_DAT3	Data	N28	I/O	CV <sub>DD</sub>	—
SDHC_DAT4/SPI_CS0/GPIO00	Data	H26	I/O	CV <sub>DD</sub>	24, 28
SDHC_DAT5/SPI_CS1/GPIO01	Data	H23	I/O	CV <sub>DD</sub>	24, 28
SDHC_DAT6/SPI_CS2/GPIO02	Data	H27	I/O	CV <sub>DD</sub>	24, 28
SDHC_DAT7/SPI_CS3/GPIO03	Data	H24	I/O	CV <sub>DD</sub>	24, 28
SDHC_CLK	Host to Card Clock	N24	O	OV <sub>DD</sub>	—
SDHC_CD/IIC3_SCL/GPIO16/ M1DVAL/LB_DVAL/DMA1_DACK0	Card Detection	AB23	I/O	OV <sub>DD</sub>	24, 28
SDHC_WP/IIC3_SDA/GPIO17/ M1SRCID0/LB_SRCID0/DMA1_DDONE0	Card Write Protection	AB26	I	OV <sub>DD</sub>	24, 28
<b>eSPI</b>					
SPI_MOSI	Master Out Slave In	H28	I/O	CV <sub>DD</sub>	—
SPI_MISO	Master In Slave Out	G23	I	CV <sub>DD</sub>	—
SPI_CLK	eSPI Clock	H22	O	CV <sub>DD</sub>	—
SPI_CS0/SDHC_DAT4/GPIO00	eSPI Chip Select	H26	O	CV <sub>DD</sub>	24
SPI_CS1/SDHC_DAT5/GPIO01	eSPI Chip Select	H23	O	CV <sub>DD</sub>	24
SPI_CS2/SDHC_DAT6/GPIO02	eSPI Chip Select	H27	O	CV <sub>DD</sub>	24
SPI_CS3/SDHC_DAT7/GPIO03	eSPI Chip Select	H24	O	CV <sub>DD</sub>	24



Table 1. Pin List by Bus (continued)

Signal	Signal Description	Package Pin Number	Pin Type	Power Supply	Note
<b>IEEE 1588</b>					
TSEC_1588_CLK_IN/EC1_RXD2	Clock In	B27	I	LV <sub>DD</sub>	—
TSEC_1588_TRIG_IN1/EC1_RXD0	Trigger In 1	B28	I	LV <sub>DD</sub>	—
TSEC_1588_TRIG_IN2/EC1_RXD1	Trigger In 2	A27	I	LV <sub>DD</sub>	—
TSEC_1588_ALARM_OUT1/EC1_TXD0	Alarm Out 1	B24	O	LV <sub>DD</sub>	—
TSEC_1588_ALARM_OUT2/ EC1_TXD1/GPIO30	Alarm Out 2	C25	O	LV <sub>DD</sub>	23
TSEC_1588_CLK_OUT/EC1_RXD3	Clock Out	B26	O	LV <sub>DD</sub>	—
TSEC_1588_PULSE_OUT1/EC1_TXD2	Pulse Out1	C28	O	LV <sub>DD</sub>	—
TSEC_1588_PULSE_OUT2/EC1_TXD3/G PIO31	Pulse Out2	A26	O	LV <sub>DD</sub>	23
<b>Ethernet Management Interface 1</b>					
EMI1_MDC	Management Data Clock	F23	O	LV <sub>DD</sub>	—
EMI1_MDIO	Management Data In/Out	G24	I/O	LV <sub>DD</sub>	—
<b>Ethernet Management Interface 2</b>					
EMI2_MDC	Management Data Clock	F24	O	1.2 V	2, 17, 20
EMI2_MDIO	Management Data In/Out	E23	I/O	1.2 V	2, 17, 20
<b>Ethernet Reference Clock</b>					
EC1_GTX_CLK125/EC_XTRNL_TX_STMP 2	Reference Clock (RGMII)	A24	I	LV <sub>DD</sub>	25
EC2_GTX_CLK125	Reference Clock (RGMII)	D24	I	LV <sub>DD</sub>	25
<b>Ethernet External Timestamping</b>					
EC_XTRNL_TX_STMP1/EC1_TX_EN	External Timestamp Transmit 1	C27	I	LV <sub>DD</sub>	—
EC_XTRNL_RX_STMP1/EC1_RX_DV	External Timestamp Receive 1	A25	I	LV <sub>DD</sub>	—
EC_XTRNL_TX_STMP2/EC1_GTX_CLK12 5	External Timestamp Transmit 2	A24	I	LV <sub>DD</sub>	—
EC_XTRNL_RX_STMP2/EC1_RX_CLK	External Timestamp Receive 2	C24	I	LV <sub>DD</sub>	—
<b>Three-Speed Ethernet Controller 1</b>					
EC1_TXD3/TSEC_1588_PULSE_OUT2/G PIO31	Transmit Data	A26	O	LV <sub>DD</sub>	—
EC1_TXD2/TSEC_1588_PULSE_OUT1	Transmit Data	C28	O	LV <sub>DD</sub>	—
EC1_TXD1/TSEC_1588_ALARM_OUT2/G PIO30	Transmit Data	C25	O	LV <sub>DD</sub>	—

Table 1. Pin List by Bus (continued)

Signal	Signal Description	Package Pin Number	Pin Type	Power Supply	Note
EC1_TXD0/TSEC_1588_ALARM_OUT1	Transmit Data	B24	O	LV <sub>DD</sub>	—
EC1_TX_EN/EC_XTRNL_TX_STMP1	Transmit Enable	C27	O	LV <sub>DD</sub>	15
EC1_GTX_CLK	Transmit Clock Out (RGMII)	D26	O	LV <sub>DD</sub>	24
EC1_RXD3/TSEC_1588_CLK_OUT	Receive Data	B26	I	LV <sub>DD</sub>	25
EC1_RXD2/TSEC_1588_CLK_IN	Receive Data	B27	I	LV <sub>DD</sub>	25
EC1_RXD1/TSEC_1588_TRIG_IN2	Receive Data	A27	I	LV <sub>DD</sub>	25
EC1_RXD0/TSEC_1588_TRIG_IN1	Receive Data	B28	I	LV <sub>DD</sub>	25
EC1_RX_DV/EC_XTRNL_RX_STMP1	Receive Data Valid	A25	I	LV <sub>DD</sub>	25
EC1_RX_CLK/EC_XTRNL_RX_STMP2	Receive Clock	C24	I	LV <sub>DD</sub>	25
<b>Three-Speed Ethernet Controller 2</b>					
EC2_TXD3	Transmit Data	G28	O	LV <sub>DD</sub>	—
EC2_TXD2	Transmit Data	G26	O	LV <sub>DD</sub>	—
EC2_TXD1	Transmit Data	G27	O	LV <sub>DD</sub>	—
EC2_TXD0	Transmit Data	G25	O	LV <sub>DD</sub>	—
EC2_TX_EN	Transmit Enable	F28	O	LV <sub>DD</sub>	15
EC2_GTX_CLK	Transmit Clock Out (RGMII)	E28	O	LV <sub>DD</sub>	24
EC2_RXD3	Receive Data	D28	I	LV <sub>DD</sub>	25
EC2_RXD2	Receive Data	E27	I	LV <sub>DD</sub>	25
EC2_RXD1	Receive Data	E25	I	LV <sub>DD</sub>	24, 25
EC2_RXD0	Receive Data	F26	I	LV <sub>DD</sub>	24, 25
EC2_RX_DV	Receive Data Valid	D25	I	LV <sub>DD</sub>	25
EC2_RX_CLK	Receive Clock	F25	I	LV <sub>DD</sub>	25
<b>UART</b>					
UART1_SOUT/GPIO8	Transmit Data	R23	O	OV <sub>DD</sub>	24
UART2_SOUT/GPIO9	Transmit Data	P26	O	OV <sub>DD</sub>	24
UART1_SIN/GPIO10	Receive Data	R26	I	OV <sub>DD</sub>	24
UART2_SIN/GPIO11	Receive Data	P27	I	OV <sub>DD</sub>	24
UART1_RTS/UART3_SOUT/GPIO12	Ready to Send	P24	O	OV <sub>DD</sub>	24
UART2_RTS/UART4_SOUT/GPIO13	Ready to Send	P25	O	OV <sub>DD</sub>	24
UART1_CTS/UART3_SIN/GPIO14	Clear to Send	R25	I	OV <sub>DD</sub>	24
UART2_CTS/UART4_SIN/GPIO15	Clear to Send	P23	I	OV <sub>DD</sub>	24
<b>I<sup>2</sup>C Interface</b>					
IIC1_SCL	Serial Clock	AC25	I/O	OV <sub>DD</sub>	2, 14

Table 1. Pin List by Bus (continued)

Signal	Signal Description	Package Pin Number	Pin Type	Power Supply	Note
IIC1_SDA	Serial Data	AC28	I/O	OV <sub>DD</sub>	2, 14
IIC2_SCL	Serial Clock	W25	I/O	OV <sub>DD</sub>	2, 14
IIC2_SDA	Serial Data	AA25	I/O	OV <sub>DD</sub>	2, 14
IIC3_SCL/GPIO16/M1DVAL/LB_DVAL/ DMA1_DACK0/SDHC_CD	Serial Clock	AB23	I/O	OV <sub>DD</sub>	2, 14
IIC3_SDA/GPIO17/M1SRCID0/LB_SRCID0/ DMA1_DDONE0/SDHC_WP	Serial Data	AB26	I/O	OV <sub>DD</sub>	2, 14
IIC4_SCL/EVT5/M1SRCID1/LB_SRCID1/ GPIO18/DMA1_DREQ0	Serial Clock	AC23	I/O	OV <sub>DD</sub>	2, 14
IIC4_SDA/EVT6/M1SRCID2/ LB_SRCID2/GPIO19	Serial Data	V24	I/O	OV <sub>DD</sub>	2, 14
<b>SerDes (x10) PCI Express, Serial RapidIO, Aurora, 10GE, 1GE</b>					
SD_TX13	Transmit Data (positive)	C20	O	XV <sub>DD</sub>	—
SD_TX12	Transmit Data (positive)	C18	O	XV <sub>DD</sub>	—
SD_TX11	Transmit Data (positive)	D16	O	XV <sub>DD</sub>	—
SD_TX10	Transmit Data (positive)	C14	O	XV <sub>DD</sub>	—
SD_TX07	Transmit Data (positive)	C12	O	XV <sub>DD</sub>	—
SD_TX06	Transmit Data (positive)	C10	O	XV <sub>DD</sub>	—
SD_TX05	Transmit Data (positive)	C8	O	XV <sub>DD</sub>	—
SD_TX04	Transmit Data (positive)	B4	O	XV <sub>DD</sub>	—
SD_TX03	Transmit Data (positive)	F3	O	XV <sub>DD</sub>	—
SD_TX02	Transmit Data (positive)	G5	O	XV <sub>DD</sub>	—
$\overline{\text{SD\_TX13}}$	Transmit Data (negative)	D20	O	XV <sub>DD</sub>	—
$\overline{\text{SD\_TX12}}$	Transmit Data (negative)	D18	O	XV <sub>DD</sub>	—
$\overline{\text{SD\_TX11}}$	Transmit Data (negative)	C16	O	XV <sub>DD</sub>	—
$\overline{\text{SD\_TX10}}$	Transmit Data (negative)	D14	O	XV <sub>DD</sub>	—
$\overline{\text{SD\_TX07}}$	Transmit Data (negative)	D12	O	XV <sub>DD</sub>	—
$\overline{\text{SD\_TX06}}$	Transmit Data (negative)	D10	O	XV <sub>DD</sub>	—
$\overline{\text{SD\_TX05}}$	Transmit Data (negative)	D8	O	XV <sub>DD</sub>	—
$\overline{\text{SD\_TX04}}$	Transmit Data (negative)	B5	O	XV <sub>DD</sub>	—
$\overline{\text{SD\_TX03}}$	Transmit Data (negative)	F4	O	XV <sub>DD</sub>	—
$\overline{\text{SD\_TX02}}$	Transmit Data (negative)	G6	O	XV <sub>DD</sub>	—
SD_RX13	Receive Data (positive)	B21	I	XV <sub>DD</sub>	—
SD_RX12	Receive Data (positive)	B19	I	XV <sub>DD</sub>	—
SD_RX11	Receive Data (positive)	B15	I	XV <sub>DD</sub>	—

Table 1. Pin List by Bus (continued)

Signal	Signal Description	Package Pin Number	Pin Type	Power Supply	Note
SD_RX10	Receive Data (positive)	A13	I	XV <sub>DD</sub>	—
SD_RX07	Receive Data (positive)	B11	I	XV <sub>DD</sub>	—
SD_RX06	Receive Data (positive)	B9	I	XV <sub>DD</sub>	—
SD_RX05	Receive Data (positive)	B7	I	XV <sub>DD</sub>	—
SD_RX04	Receive Data (positive)	A2	I	XV <sub>DD</sub>	—
SD_RX03	Receive Data (positive)	E1	I	XV <sub>DD</sub>	—
SD_RX02	Receive Data (positive)	G1	I	XV <sub>DD</sub>	—
$\overline{\text{SD\_RX13}}$	Receive Data (negative)	A21	I	XV <sub>DD</sub>	—
$\overline{\text{SD\_RX12}}$	Receive Data (negative)	A19	I	XV <sub>DD</sub>	—
$\overline{\text{SD\_RX11}}$	Receive Data (negative)	A15	I	XV <sub>DD</sub>	—
$\overline{\text{SD\_RX10}}$	Receive Data (negative)	B13	I	XV <sub>DD</sub>	—
$\overline{\text{SD\_RX07}}$	Receive Data (negative)	A11	I	XV <sub>DD</sub>	—
$\overline{\text{SD\_RX06}}$	Receive Data (negative)	A9	I	XV <sub>DD</sub>	—
$\overline{\text{SD\_RX05}}$	Receive Data (negative)	A7	I	XV <sub>DD</sub>	—
$\overline{\text{SD\_RX04}}$	Receive Data (negative)	A3	I	XV <sub>DD</sub>	—
$\overline{\text{SD\_RX03}}$	Receive Data (negative)	E2	I	XV <sub>DD</sub>	—
$\overline{\text{SD\_RX02}}$	Receive Data (negative)	G2	I	XV <sub>DD</sub>	—
SD_REF_CLK1	SerDes Bank 1 PLL Reference Clock	D3	I	XV <sub>DD</sub>	—
$\overline{\text{SD\_REF\_CLK1}}$	SerDes Bank 1 PLL Reference Clock Complement	D4	I	XV <sub>DD</sub>	—
SD_REF_CLK2	SerDes Bank 2 PLL Reference Clock	E17	I	XV <sub>DD</sub>	—
$\overline{\text{SD\_REF\_CLK2}}$	SerDes Bank 2 PLL Reference Clock Complement	F17	I	XV <sub>DD</sub>	—
<b>General-Purpose Input/Output</b>					
GPIO00/ $\overline{\text{SPI\_CS0}}$ /SDHC_DATA4	General Purpose Input/Output	H26	I/O	CV <sub>DD</sub>	—
GPIO01/ $\overline{\text{SPI\_CS1}}$ /SDHC_DATA5	General Purpose Input/Output	H23	I/O	CV <sub>DD</sub>	—
GPIO02/ $\overline{\text{SPI\_CS2}}$ /SDHC_DATA6	General Purpose Input/Output	H27	I/O	CV <sub>DD</sub>	—
GPIO03/ $\overline{\text{SPI\_CS3}}$ /SDHC_DATA7	General Purpose Input/Output	H24	I/O	CV <sub>DD</sub>	—
GPIO08/UART1_SOUT	General Purpose Input/Output	R23	I/O	OV <sub>DD</sub>	—
GPIO09/UART2_SOUT	General Purpose Input/Output	P26	I/O	OV <sub>DD</sub>	—
GPIO10/UART1_SIN	General Purpose Input/Output	R26	I/O	OV <sub>DD</sub>	—
GPIO11/UART2_SIN	General Purpose Input/Output	P27	I/O	OV <sub>DD</sub>	—
GPIO12/ $\overline{\text{UART1\_RTS}}$ /UART3_SOUT	General Purpose Input/Output	P24	I/O	OV <sub>DD</sub>	—
GPIO13/ $\overline{\text{UART2\_RTS}}$ /UART4_SOUT	General Purpose Input/Output	P25	I/O	OV <sub>DD</sub>	—
GPIO14/ $\overline{\text{UART1\_CTS}}$ /UART3_SIN	General Purpose Input/Output	R25	I/O	OV <sub>DD</sub>	—

Table 1. Pin List by Bus (continued)

Signal	Signal Description	Package Pin Number	Pin Type	Power Supply	Note
GPIO15/UART2_CTS/UART4_SIN	General Purpose Input/Output	P23	I/O	OV <sub>DD</sub>	—
GPIO16/IIC3_SCL/M1DVAL/LB_DVAL/DMA1_DACK0/SDHC_CD	General Purpose Input/Output	AB23	I/O	OV <sub>DD</sub>	—
GPIO17/IIC3_SDA/M1SRCID0/LB_SRCID0/DMA1_DDONE0/SDHC_WP	General Purpose Input/Output	AB26	I/O	OV <sub>DD</sub>	—
GPIO18/IIC4_SCL/EVT5/M1SRCID1/LB_SRCID1/DMA1_DREQ0	General Purpose Input/Output	AC23	I/O	OV <sub>DD</sub>	—
GPIO19/IIC4_SDA/EVT6/M1SRCID2/LB_SRCID2	General Purpose Input/Output	V24	I/O	OV <sub>DD</sub>	—
GPIO21/IRQ3/DMA2_DREQ0	General Purpose Input/Output	AA26	I/O	OV <sub>DD</sub>	—
GPIO22/IRQ4/DMA2_DACK0	General Purpose Input/Output	V25	I/O	OV <sub>DD</sub>	—
GPIO23/IRQ5/DMA2_DDONE0	General Purpose Input/Output	AA22	I/O	OV <sub>DD</sub>	—
GPIO24/IRQ6/USB1_DRVVBUS	General Purpose Input/Output	Y26	I/O	OV <sub>DD</sub>	—
GPIO25/IRQ7/USB1_PWRFAULT	General Purpose Input/Output	AA23	I/O	OV <sub>DD</sub>	—
GPIO26/IRQ8/USB2_DRVVBUS	General Purpose Input/Output	AC22	I/O	OV <sub>DD</sub>	—
GPIO27/IRQ9/USB2_PWRFAULT	General Purpose Input/Output	AC27	I/O	OV <sub>DD</sub>	—
GPIO28/IRQ10/EVT7	General Purpose Input/Output	AB24	I/O	OV <sub>DD</sub>	—
GPIO29/IRQ11/EVT8	General Purpose Input/Output	AC24	I/O	OV <sub>DD</sub>	—
GPIO30/EC1_TXD1/TSEC_1588_ALARM_OUT2	General Purpose Input/Output	C25	I/O	LV <sub>DD</sub>	23
GPIO31/EC1_TXD3/TSEC_1588_PULSE_OUT2	General Purpose Input/Output	A26	I/O	LV <sub>DD</sub>	23
<b>System Control</b>					
PORESET	Power On Reset	T22	I	OV <sub>DD</sub>	—
HRESET	Hard Reset	T23	I/O	OV <sub>DD</sub>	1, 2
RESET_REQ	Reset Request	U28	O	OV <sub>DD</sub>	31
CKSTP_OUT	Checkstop Out	T25	O	OV <sub>DD</sub>	1, 2
<b>Debug</b>					
EVT0	Event 0	V26	I/O	OV <sub>DD</sub>	18
EVT1	Event 1	U27	I/O	OV <sub>DD</sub>	—
EVT2	Event 2	U26	I/O	OV <sub>DD</sub>	—
EVT3	Event 3	W24	I/O	OV <sub>DD</sub>	—
EVT4	Event 4	U24	I/O	OV <sub>DD</sub>	—
EVT5/IIC4_SCL/M1SRCID1/LB_SRCID1/ GPIO18/DMA1_DREQ0	Event 5	AC23	I/O	OV <sub>DD</sub>	—

Table 1. Pin List by Bus (continued)

Signal	Signal Description	Package Pin Number	Pin Type	Power Supply	Note
$\overline{\text{EVT6}}$ /IIC4_SDA/M1SRCID2/ LB_SRCID2/GPIO19	Event 6	V24	I/O	OV <sub>DD</sub>	—
$\overline{\text{EVT7}}$ GPIO28/IRQ10	Event 7	AB24	I/O	OV <sub>DD</sub>	—
$\overline{\text{EVT8}}$ /GPIO29/IRQ11	Event 8	AC24	I/O	OV <sub>DD</sub>	—
$\overline{\text{EVT9}}$ /IRQ_OUT	Event 9	Y24	I/O	OV <sub>DD</sub>	—
M1DVAL/LB_DVAL/IIC3_SCL/GPIO16/ SDHC_CD/DMA1_DACK0	Debug Data Valid	AB23	O	OV <sub>DD</sub>	—
MSRCID0/LB_SRCID0/IIC3_SDA/GPIO17/ DMA_DDONE0/SDHC_WP	Debug Source ID 0	AB26	O	OV <sub>DD</sub>	4, 31
MSRCID1/LB_MSRCID1/ $\overline{\text{EVT5}}$ /IIC4_SCL/ LB_SRCID1/GPIO18/DMA1_DREQ0	Debug Source ID 1	AC23	O	OV <sub>DD</sub>	—
MSRCID2/LB_SRCID2/ $\overline{\text{EVT6}}$ /IIC4_SDA/ LB_SRCID2/GPIO19	Debug Source ID 2	V24	O	OV <sub>DD</sub>	—
CLK_OUT	Clock Out	T27	O	OV <sub>DD</sub>	6
<b>Clock</b>					
RTC	Real Time Clock	P28	I	OV <sub>DD</sub>	—
SYSCLK	System Clock	R28	I	OV <sub>DD</sub>	—
<b>JTAG</b>					
TCK	Test Clock	Y28	I	OV <sub>DD</sub>	—
TDI	Test Data In	W28	I	OV <sub>DD</sub>	7
TDO	Test Data Out	AA28	O	OV <sub>DD</sub>	6
TMS	Test Mode Select	W27	I	OV <sub>DD</sub>	7
$\overline{\text{TRST}}$	Test Reset	Y27	I	OV <sub>DD</sub>	7
<b>DFT</b>					
$\overline{\text{SCAN\_MODE}}$	Scan Mode	V28	I	OV <sub>DD</sub>	35
TEST_SEL	Test Mode Select	T28	I	OV <sub>DD</sub>	12, 26
<b>Power Management</b>					
ASLEEP	Asleep	R22	O	OV <sub>DD</sub>	31
<b>Input /Output Voltage Select</b>					
IO_VSEL0	I/O Voltage Select	AB28	I	OV <sub>DD</sub>	27
IO_VSEL1	I/O Voltage Select	U23	I	OV <sub>DD</sub>	27
IO_VSEL2	I/O Voltage Select	AB21	I	OV <sub>DD</sub>	27
IO_VSEL3	I/O Voltage Select	Y23	I	OV <sub>DD</sub>	27
IO_VSEL4	I/O Voltage Select	Y21	I	OV <sub>DD</sub>	27

Table 1. Pin List by Bus (continued)

Signal	Signal Description	Package Pin Number	Pin Type	Power Supply	Note
<b>Power and Ground Signals</b>					
GND168	Ground	A23	—	—	—
GND167	Ground	B23	—	—	—
GND166	Ground	B25	—	—	—
GND165	Ground	C23	—	—	—
GND164	Ground	D23	—	—	—
GND163	Ground	D27	—	—	—
GND162	Ground	E24	—	—	—
GND161	Ground	F22	—	—	—
GND160	Ground	F27	—	—	—
GND159	Ground	G10	—	—	—
GND158	Ground	G12	—	—	—
GND157	Ground	G14	—	—	—
GND156	Ground	G16	—	—	—
GND155	Ground	G18	—	—	—
GND154	Ground	G21	—	—	—
GND153	Ground	G22	—	—	—
GND152	Ground	H3	—	—	—
GND151	Ground	H4	—	—	—
GND150	Ground	H10	—	—	—
GND149	Ground	H12	—	—	—
GND148	Ground	H14	—	—	—
GND147	Ground	H16	—	—	—
GND146	Ground	H18	—	—	—
GND145	Ground	H21	—	—	—
GND144	Ground	H25	—	—	—
GND143	Ground	J2	—	—	—
GND142	Ground	J8	—	—	—
GND141	Ground	J10	—	—	—
GND140	Ground	J12	—	—	—
GND139	Ground	J14	—	—	—
GND138	Ground	J16	—	—	—
GND137	Ground	J18	—	—	—
GND136	Ground	J21	—	—	—

Table 1. Pin List by Bus (continued)

Signal	Signal Description	Package Pin Number	Pin Type	Power Supply	Note
GND135	Ground	K5	—	—	—
GND134	Ground	K8	—	—	—
GND133	Ground	K10	—	—	—
GND132	Ground	K12	—	—	—
GND131	Ground	K14	—	—	—
GND130	Ground	K16	—	—	—
GND129	Ground	K18	—	—	—
GND128	Ground	K21	—	—	—
GND127	Ground	L8	—	—	—
GND126	Ground	L10	—	—	—
GND125	Ground	L12	—	—	—
GND124	Ground	L14	—	—	—
GND123	Ground	L16	—	—	—
GND122	Ground	L18	—	—	—
GND121	Ground	M2	—	—	—
GND120	Ground	M5	—	—	—
GND119	Ground	M8	—	—	—
GND118	Ground	M10	—	—	—
GND117	Ground	M12	—	—	—
GND116	Ground	M14	—	—	—
GND115	Ground	M16	—	—	—
GND114	Ground	M18	—	—	—
GND113	Ground	N8	—	—	—
GND112	Ground	N10	—	—	—
GND111	Ground	N12	—	—	—
GND110	Ground	N14	—	—	—
GND109	Ground	N16	—	—	—
GND108	Ground	N18	—	—	—
GND107	Ground	N21	—	—	—
GND106	Ground	N25	—	—	—
GND105	Ground	P5	—	—	—
GND104	Ground	P8	—	—	—
GND103	Ground	P10	—	—	—
GND102	Ground	P12	—	—	—



Table 1. Pin List by Bus (continued)

Signal	Signal Description	Package Pin Number	Pin Type	Power Supply	Note
GND101	Ground	P14	—	—	—
GND100	Ground	P16	—	—	—
GND099	Ground	P18	—	—	—
GND098	Ground	P21	—	—	—
GND097	Ground	R2	—	—	—
GND096	Ground	R8	—	—	—
GND095	Ground	R10	—	—	—
GND094	Ground	R12	—	—	—
GND093	Ground	R14	—	—	—
GND092	Ground	R16	—	—	—
GND091	Ground	R18	—	—	—
GND090	Ground	R21	—	—	—
GND089	Ground	R24	—	—	—
GND088	Ground	R27	—	—	—
GND087	Ground	T8	—	—	—
GND086	Ground	T10	—	—	—
GND085	Ground	T12	—	—	—
GND084	Ground	T14	—	—	—
GND083	Ground	T16	—	—	—
GND082	Ground	T18	—	—	—
GND081	Ground	T21	—	—	—
GND080	Ground	U7	—	—	—
GND079	Ground	U8	—	—	—
GND078	Ground	U10	—	—	—
GND077	Ground	U12	—	—	—
GND076	Ground	U14	—	—	—
GND075	Ground	U17	—	—	—
GND074	Ground	U19	—	—	—
GND073	Ground	U22	—	—	—
GND072	Ground	U25	—	—	—
GND071	Ground	V2	—	—	—
GND070	Ground	V4	—	—	—
GND069	Ground	V6	—	—	—
GND068	Ground	V8	—	—	—

Table 1. Pin List by Bus (continued)

Signal	Signal Description	Package Pin Number	Pin Type	Power Supply	Note
GND067	Ground	V10	—	—	—
GND066	Ground	V12	—	—	—
GND065	Ground	V14	—	—	—
GND064	Ground	V16	—	—	—
GND063	Ground	V17	—	—	—
GND062	Ground	V19	—	—	—
GND061	Ground	V21	—	—	—
GND060	Ground	V23	—	—	—
GND059	Ground	V27	—	—	—
GND058	Ground	W2	—	—	—
GND057	Ground	W5	—	—	—
GND056	Ground	W8	—	—	—
GND055	Ground	W10	—	—	—
GND054	Ground	W12	—	—	—
GND053	Ground	W14	—	—	—
GND052	Ground	W17	—	—	—
GND051	Ground	W19	—	—	—
GND050	Ground	W21	—	—	—
GND049	Ground	W23	—	—	—
GND048	Ground	Y6	—	—	—
GND047	Ground	Y7	—	—	—
GND046	Ground	Y8	—	—	—
GND045	Ground	Y10	—	—	—
GND044	Ground	Y12	—	—	—
GND043	Ground	Y14	—	—	—
GND042	Ground	Y16	—	—	—
GND041	Ground	Y17	—	—	—
GND040	Ground	Y19	—	—	—
GND039	Ground	Y22	—	—	—
GND038	Ground	AA5	—	—	—
GND037	Ground	AA7	—	—	—
GND036	Ground	AA17	—	—	—
GND035	Ground	AA19	—	—	—
GND034	Ground	AA24	—	—	—

Table 1. Pin List by Bus (continued)

Signal	Signal Description	Package Pin Number	Pin Type	Power Supply	Note
GND033	Ground	AA27	—	—	—
GND032	Ground	AB2	—	—	—
GND031	Ground	AB9	—	—	—
GND030	Ground	AB10	—	—	—
GND029	Ground	AB11	—	—	—
GND028	Ground	AB12	—	—	—
GND027	Ground	AB15	—	—	—
GND026	Ground	AB22	—	—	—
GND025	Ground	AC5	—	—	—
GND024	Ground	AC17	—	—	—
GND023	Ground	AC20	—	—	—
GND022	Ground	AC26	—	—	—
GND021	Ground	AD12	—	—	—
GND020	Ground	AD15	—	—	—
GND019	Ground	AE2	—	—	—
GND018	Ground	AE5	—	—	—
GND017	Ground	AE8	—	—	—
GND016	Ground	AE11	—	—	—
GND015	Ground	AE15	—	—	—
GND014	Ground	AE18	—	—	—
GND013	Ground	AE21	—	—	—
GND012	Ground	AE24	—	—	—
GND011	Ground	AE27	—	—	—
GND010	Ground	AF13	—	—	—
GND009	Ground	AF14	—	—	—
GND008	Ground	AG4	—	—	—
GND007	Ground	AG7	—	—	—
GND006	Ground	AG10	—	—	—
GND005	Ground	AG19	—	—	—
GND004	Ground	AG22	—	—	—
GND003	Ground	AG25	—	—	—
GND002	Ground	AH12	—	—	—
GND001	Ground	AH15	—	—	—
XGND12	SerDes Transceiver GND	C5	—	—	—

Table 1. Pin List by Bus (continued)

Signal	Signal Description	Package Pin Number	Pin Type	Power Supply	Note
XGND11	SerDes Transceiver GND	C7	—	—	—
XGND10	SerDes Transceiver GND	C11	—	—	—
XGND09	SerDes Transceiver GND	C15	—	—	—
XGND08	SerDes Transceiver GND	C21	—	—	—
XGND07	SerDes Transceiver GND	D9	—	—	—
XGND06	SerDes Transceiver GND	D13	—	—	—
XGND05	SerDes Transceiver GND	D19	—	—	—
XGND04	SerDes Transceiver GND	F6	—	—	—
XGND03	SerDes Transceiver GND	F21	—	—	—
XGND02	SerDes Transceiver GND	G3	—	—	—
XGND01	SerDes Transceiver GND	H5	—	—	—
SGND17	SerDes Core Logic GND	A5	—	—	—
SGND16	SerDes Core Logic GND	A8	—	—	—
SGND15	SerDes Core Logic GND	A12	—	—	—
SGND14	SerDes Core Logic GND	A16	—	—	—
SGND13	SerDes Core Logic GND	A20	—	—	—
SGND12	SerDes Core Logic GND	B1	—	—	—
SGND11	SerDes Core Logic GND	B6	—	—	—
SGND10	SerDes Core Logic GND	B10	—	—	—
SGND09	SerDes Core Logic GND	B14	—	—	—
SGND08	SerDes Core Logic GND	B18	—	—	—
SGND07	SerDes Core Logic GND	B22	—	—	—
SGND06	SerDes Core Logic GND	C3	—	—	—
SGND05	SerDes Core Logic GND	D2	—	—	—
SGND04	SerDes Core Logic GND	D17	—	—	—
SGND03	SerDes Core Logic GND	E3	—	—	—
SGND02	SerDes Core Logic GND	F1	—	—	—
SGND01	SerDes Core Logic GND	H2	—	—	—
AGND_SRDS1	SerDes PLL1 GND	C2	—	—	—
AGND_SRDS2	SerDes PLL2 GND	B17	—	—	—
SENSEGND_CA_PL	Core Group A and Platform GND Sense	G8	—	—	8
SENSEGND_CB	Core Group B GND Sense	AA16	—	—	8
USB1_AGND06	USB1 PHY Transceiver GND	J28	—	—	—
USB1_AGND05	USB1 PHY Transceiver GND	K27	—	—	—

Table 1. Pin List by Bus (continued)

Signal	Signal Description	Package Pin Number	Pin Type	Power Supply	Note
USB1_AGND04	USB1 PHY Transceiver GND	L27	—	—	—
USB1_AGND03	USB1 PHY Transceiver GND	M22	—	—	—
USB1_AGND02	USB1 PHY Transceiver GND	M24	—	—	—
USB1_AGND01	USB1 PHY Transceiver GND	M28	—	—	—
USB2_AGND06	USB2 PHY Transceiver GND	J22	—	—	—
USB2_AGND05	USB2 PHY Transceiver GND	J24	—	—	—
USB2_AGND04	USB2 PHY Transceiver GND	J26	—	—	—
USB2_AGND03	USB2 PHY Transceiver GND	K25	—	—	—
USB2_AGND02	USB2 PHY Transceiver GND	L25	—	—	—
USB2_AGND01	USB2 PHY Transceiver GND	M26	—	—	—
OVDD06	General I/O Supply	N20	—	OV <sub>DD</sub>	—
OVDD05	General I/O Supply	P20	—	OV <sub>DD</sub>	—
OVDD04	General I/O Supply	R20	—	OV <sub>DD</sub>	—
OVDD03	General I/O Supply	T20	—	OV <sub>DD</sub>	—
OVDD02	General I/O Supply	T26	—	OV <sub>DD</sub>	—
OVDD01	General I/O Supply	W26	—	OV <sub>DD</sub>	—
CVDD2	eSPI and eSDHC Supply	K20	—	CV <sub>DD</sub>	—
CVDD1	eSPI and eSDHC Supply	M20	—	CV <sub>DD</sub>	—
GVDD17	DDR Supply	AA8	—	GV <sub>DD</sub>	—
GVDD16	DDR Supply	AA9	—	GV <sub>DD</sub>	—
GVDD15	DDR Supply	AA10	—	GV <sub>DD</sub>	—
GVDD14	DDR Supply	AA11	—	GV <sub>DD</sub>	—
GVDD13	DDR Supply	AA12	—	GV <sub>DD</sub>	—
GVDD12	DDR Supply	AA13	—	GV <sub>DD</sub>	—
GVDD11	DDR Supply	AA14	—	GV <sub>DD</sub>	—
GVDD10	DDR Supply	AA15	—	GV <sub>DD</sub>	—
GVDD09	DDR Supply	AB13	—	GV <sub>DD</sub>	—
GVDD08	DDR Supply	AB14	—	GV <sub>DD</sub>	—
GVDD07	DDR Supply	AC13	—	GV <sub>DD</sub>	—
GVDD06	DDR Supply	AC14	—	GV <sub>DD</sub>	—
GVDD05	DDR Supply	AF6	—	GV <sub>DD</sub>	—
GVDD04	DDR Supply	AF9	—	GV <sub>DD</sub>	—
GVDD03	DDR Supply	AF17	—	GV <sub>DD</sub>	—
GVDD02	DDR Supply	AF20	—	GV <sub>DD</sub>	—

Table 1. Pin List by Bus (continued)

Signal	Signal Description	Package Pin Number	Pin Type	Power Supply	Note
GVDD01	DDR Supply	AF23	—	GV <sub>DD</sub>	—
BVDD07	Local Bus Supply	J7	—	BV <sub>DD</sub>	—
BVDD06	Local Bus Supply	K7	—	BV <sub>DD</sub>	—
BVDD05	Local Bus Supply	L4	—	BV <sub>DD</sub>	—
BVDD04	Local Bus Supply	L7	—	BV <sub>DD</sub>	—
BVDD03	Local Bus Supply	M7	—	BV <sub>DD</sub>	—
BVDD02	Local Bus Supply	N4	—	BV <sub>DD</sub>	—
BVDD01	Local Bus Supply	R4	—	BV <sub>DD</sub>	—
SVDD17	SerDes Core Logic Supply	A4	—	SV <sub>DD</sub>	—
SVDD16	SerDes Core Logic Supply	A6	—	SV <sub>DD</sub>	—
SVDD15	SerDes Core Logic Supply	A10	—	SV <sub>DD</sub>	—
SVDD14	SerDes Core Logic Supply	A14	—	SV <sub>DD</sub>	—
SVDD13	SerDes Core Logic Supply	A18	—	SV <sub>DD</sub>	—
SVDD12	SerDes Core Logic Supply	A22	—	SV <sub>DD</sub>	—
SVDD11	SerDes Core Logic Supply	B2	—	SV <sub>DD</sub>	—
SVDD10	SerDes Core Logic Supply	B3	—	SV <sub>DD</sub>	—
SVDD09	SerDes Core Logic Supply	B8	—	SV <sub>DD</sub>	—
SVDD08	SerDes Core Logic Supply	B12	—	SV <sub>DD</sub>	—
SVDD07	SerDes Core Logic Supply	B16	—	SV <sub>DD</sub>	—
SVDD06	SerDes Core Logic Supply	B20	—	SV <sub>DD</sub>	—
SVDD05	SerDes Core Logic Supply	C17	—	SV <sub>DD</sub>	—
SVDD04	SerDes Core Logic Supply	D1	—	SV <sub>DD</sub>	—
SVDD03	SerDes Core Logic Supply	E4	—	SV <sub>DD</sub>	—
SVDD02	SerDes Core Logic Supply	F2	—	SV <sub>DD</sub>	—
SVDD01	SerDes Core Logic Supply	H1	—	SV <sub>DD</sub>	—
XVDD12	SerDes Transceiver Supply	C4	—	XV <sub>DD</sub>	—
XVDD11	SerDes Transceiver Supply	C9	—	XV <sub>DD</sub>	—
XVDD10	SerDes Transceiver Supply	C13	—	XV <sub>DD</sub>	—
XVDD09	SerDes Transceiver Supply	C19	—	XV <sub>DD</sub>	—
XVDD08	SerDes Transceiver Supply	D7	—	XV <sub>DD</sub>	—
XVDD07	SerDes Transceiver Supply	D11	—	XV <sub>DD</sub>	—
XVDD06	SerDes Transceiver Supply	D15	—	XV <sub>DD</sub>	—
XVDD05	SerDes Transceiver Supply	D21	—	XV <sub>DD</sub>	—
XVDD04	SerDes Transceiver Supply	E22	—	XV <sub>DD</sub>	—

Table 1. Pin List by Bus (continued)

Signal	Signal Description	Package Pin Number	Pin Type	Power Supply	Note
XVDD03	SerDes Transceiver Supply	F5	—	XV <sub>DD</sub>	—
XVDD02	SerDes Transceiver Supply	G4	—	XV <sub>DD</sub>	—
XVDD01	SerDes Transceiver Supply	H6	—	XV <sub>DD</sub>	—
LVDD05	Ethernet Controller 1 and 2 Supply	C26	—	LV <sub>DD</sub>	—
LVDD04	Ethernet Controller 1 and 2 Supply	E26	—	LV <sub>DD</sub>	—
LVDD03	Ethernet Controller 1 and 2 Supply	G20	—	LV <sub>DD</sub>	—
LVDD02	Ethernet Controller 1 and 2 Supply	H20	—	LV <sub>DD</sub>	—
LVDD01	Ethernet Controller 1 and 2 Supply	J20	—	LV <sub>DD</sub>	—
POVDD	Fuse Programming Override Supply	U21	—	POV <sub>DD</sub>	30
VDD_CA_PL78	Core Group A and Platform Supply	G9	—	V <sub>DD_CA_PL</sub>	38
VDD_CA_PL77	Core Group A and Platform Supply	G11	—	V <sub>DD_CA_PL</sub>	38
VDD_CA_PL76	Core Group A and Platform Supply	G13	—	V <sub>DD_CA_PL</sub>	38
VDD_CA_PL75	Core Group A and Platform Supply	G15	—	V <sub>DD_CA_PL</sub>	38
VDD_CA_PL74	Core Group A and Platform Supply	G17	—	V <sub>DD_CA_PL</sub>	38
VDD_CA_PL73	Core Group A and Platform Supply	G19	—	V <sub>DD_CA_PL</sub>	38
VDD_CA_PL72	Core Group A and Platform Supply	H9	—	V <sub>DD_CA_PL</sub>	38
VDD_CA_PL71	Core Group A and Platform Supply	H11	—	V <sub>DD_CA_PL</sub>	38
VDD_CA_PL70	Core Group A and Platform Supply	H13	—	V <sub>DD_CA_PL</sub>	38
VDD_CA_PL69	Core Group A and Platform Supply	H15	—	V <sub>DD_CA_PL</sub>	38
VDD_CA_PL68	Core Group A and Platform Supply	H17	—	V <sub>DD_CA_PL</sub>	38
VDD_CA_PL67	Core Group A and Platform Supply	H19	—	V <sub>DD_CA_PL</sub>	38
VDD_CA_PL66	Core Group A and Platform Supply	J9	—	V <sub>DD_CA_PL</sub>	38
VDD_CA_PL65	Core Group A and Platform Supply	J11	—	V <sub>DD_CA_PL</sub>	38
VDD_CA_PL64	Core Group A and Platform Supply	J13	—	V <sub>DD_CA_PL</sub>	38
VDD_CA_PL63	Core Group A and Platform Supply	J15	—	V <sub>DD_CA_PL</sub>	38
VDD_CA_PL62	Core Group A and Platform Supply	J17	—	V <sub>DD_CA_PL</sub>	38
VDD_CA_PL61	Core Group A and Platform Supply	J19	—	V <sub>DD_CA_PL</sub>	38
VDD_CA_PL60	Core Group A and Platform Supply	K9	—	V <sub>DD_CA_PL</sub>	38
VDD_CA_PL59	Core Group A and Platform Supply	K11	—	V <sub>DD_CA_PL</sub>	38
VDD_CA_PL58	Core Group A and Platform Supply	K13	—	V <sub>DD_CA_PL</sub>	38
VDD_CA_PL57	Core Group A and Platform Supply	K15	—	V <sub>DD_CA_PL</sub>	38
VDD_CA_PL56	Core Group A and Platform Supply	K17	—	V <sub>DD_CA_PL</sub>	38
VDD_CA_PL55	Core Group A and Platform Supply	K19	—	V <sub>DD_CA_PL</sub>	38
VDD_CA_PL54	Core Group A and Platform Supply	L9	—	V <sub>DD_CA_PL</sub>	38

Table 1. Pin List by Bus (continued)

Signal	Signal Description	Package Pin Number	Pin Type	Power Supply	Note
VDD_CA_PL53	Core Group A and Platform Supply	L11	—	V <sub>DD_CA_PL</sub>	38
VDD_CA_PL52	Core Group A and Platform Supply	L13	—	V <sub>DD_CA_PL</sub>	38
VDD_CA_PL51	Core Group A and Platform Supply	L15	—	V <sub>DD_CA_PL</sub>	38
VDD_CA_PL50	Core Group A and Platform Supply	L17	—	V <sub>DD_CA_PL</sub>	38
VDD_CA_PL49	Core Group A and Platform Supply	L19	—	V <sub>DD_CA_PL</sub>	38
VDD_CA_PL48	Core Group A and Platform Supply	M9	—	V <sub>DD_CA_PL</sub>	38
VDD_CA_PL47	Core Group A and Platform Supply	M11	—	V <sub>DD_CA_PL</sub>	38
VDD_CA_PL46	Core Group A and Platform Supply	M13	—	V <sub>DD_CA_PL</sub>	38
VDD_CA_PL45	Core Group A and Platform Supply	M15	—	V <sub>DD_CA_PL</sub>	38
VDD_CA_PL44	Core Group A and Platform Supply	M17	—	V <sub>DD_CA_PL</sub>	38
VDD_CA_PL43	Core Group A and Platform Supply	M19	—	V <sub>DD_CA_PL</sub>	38
VDD_CA_PL42	Core Group A and Platform Supply	N9	—	V <sub>DD_CA_PL</sub>	38
VDD_CA_PL41	Core Group A and Platform Supply	N11	—	V <sub>DD_CA_PL</sub>	38
VDD_CA_PL40	Core Group A and Platform Supply	N13	—	V <sub>DD_CA_PL</sub>	38
VDD_CA_PL39	Core Group A and Platform Supply	N15	—	V <sub>DD_CA_PL</sub>	38
VDD_CA_PL38	Core Group A and Platform Supply	N17	—	V <sub>DD_CA_PL</sub>	38
VDD_CA_PL37	Core Group A and Platform Supply	N19	—	V <sub>DD_CA_PL</sub>	38
VDD_CA_PL36	Core Group A and Platform Supply	P9	—	V <sub>DD_CA_PL</sub>	38
VDD_CA_PL35	Core Group A and Platform Supply	P11	—	V <sub>DD_CA_PL</sub>	38
VDD_CA_PL34	Core Group A and Platform Supply	P13	—	V <sub>DD_CA_PL</sub>	38
VDD_CA_PL33	Core Group A and Platform Supply	P15	—	V <sub>DD_CA_PL</sub>	38
VDD_CA_PL32	Core Group A and Platform Supply	P17	—	V <sub>DD_CA_PL</sub>	38
VDD_CA_PL31	Core Group A and Platform Supply	P19	—	V <sub>DD_CA_PL</sub>	38
VDD_CA_PL30	Core Group A and Platform Supply	R9	—	V <sub>DD_CA_PL</sub>	38
VDD_CA_PL29	Core Group A and Platform Supply	R11	—	V <sub>DD_CA_PL</sub>	38
VDD_CA_PL28	Core Group A and Platform Supply	R13	—	V <sub>DD_CA_PL</sub>	38
VDD_CA_PL27	Core Group A and Platform Supply	R15	—	V <sub>DD_CA_PL</sub>	38
VDD_CA_PL26	Core Group A and Platform Supply	R17	—	V <sub>DD_CA_PL</sub>	38
VDD_CA_PL25	Core Group A and Platform Supply	R19	—	V <sub>DD_CA_PL</sub>	38
VDD_CA_PL24	Core Group A and Platform Supply	T9	—	V <sub>DD_CA_PL</sub>	38
VDD_CA_PL23	Core Group A and Platform Supply	T11	—	V <sub>DD_CA_PL</sub>	38
VDD_CA_PL22	Core Group A and Platform Supply	T13	—	V <sub>DD_CA_PL</sub>	38
VDD_CA_PL21	Core Group A and Platform Supply	T15	—	V <sub>DD_CA_PL</sub>	38
VDD_CA_PL20	Core Group A and Platform Supply	T17	—	V <sub>DD_CA_PL</sub>	38



Table 1. Pin List by Bus (continued)

Signal	Signal Description	Package Pin Number	Pin Type	Power Supply	Note
VDD_CA_PL19	Core Group A and Platform Supply	T19	—	V <sub>DD_CA_PL</sub>	38
VDD_CA_PL18	Core Group A and Platform Supply	U9	—	V <sub>DD_CA_PL</sub>	38
VDD_CA_PL17	Core Group A and Platform Supply	U11	—	V <sub>DD_CA_PL</sub>	38
VDD_CA_PL16	Core Group A and Platform Supply	U13	—	V <sub>DD_CA_PL</sub>	38
VDD_CA_PL15	Core Group A and Platform Supply	U15	—	V <sub>DD_CA_PL</sub>	38
VDD_CA_PL14	Core Group A and Platform Supply	U20	—	V <sub>DD_CA_PL</sub>	38
VDD_CA_PL13	Core Group A and Platform Supply	V9	—	V <sub>DD_CA_PL</sub>	38
VDD_CA_PL12	Core Group A and Platform Supply	V11	—	V <sub>DD_CA_PL</sub>	38
VDD_CA_PL11	Core Group A and Platform Supply	V13	—	V <sub>DD_CA_PL</sub>	38
VDD_CA_PL10	Core Group A and Platform Supply	V15	—	V <sub>DD_CA_PL</sub>	38
VDD_CA_PL09	Core Group A and Platform Supply	W9	—	V <sub>DD_CA_PL</sub>	38
VDD_CA_PL08	Core Group A and Platform Supply	W11	—	V <sub>DD_CA_PL</sub>	38
VDD_CA_PL07	Core Group A and Platform Supply	W13	—	V <sub>DD_CA_PL</sub>	38
VDD_CA_PL06	Core Group A and Platform Supply	W15	—	V <sub>DD_CA_PL</sub>	38
VDD_CA_PL05	Core Group A and Platform Supply	Y9	—	V <sub>DD_CA_PL</sub>	38
VDD_CA_PL04	Core Group A and Platform Supply	Y11	—	V <sub>DD_CA_PL</sub>	38
VDD_CA_PL03	Core Group A and Platform Supply	Y13	—	V <sub>DD_CA_PL</sub>	38
VDD_CA_PL02	Core Group A and Platform Supply	Y15	—	V <sub>DD_CA_PL</sub>	38
VDD_CA_PL01	Core Group A and Platform Supply	AA21	—	V <sub>DD_CA_PL</sub>	38
VDD_CB11	Core Group B Supply	U16	—	V <sub>DD_CB</sub>	38
VDD_CB10	Core Group B Supply	U18	—	V <sub>DD_CB</sub>	38
VDD_CB09	Core Group B Supply	V18	—	V <sub>DD_CB</sub>	38
VDD_CB08	Core Group B Supply	V20	—	V <sub>DD_CB</sub>	38
VDD_CB07	Core Group B Supply	W16	—	V <sub>DD_CB</sub>	38
VDD_CB06	Core Group B Supply	W18	—	V <sub>DD_CB</sub>	38
VDD_CB05	Core Group B Supply	W20	—	V <sub>DD_CB</sub>	38
VDD_CB04	Core Group B Supply	Y18	—	V <sub>DD_CB</sub>	38
VDD_CB03	Core Group B Supply	Y20	—	V <sub>DD_CB</sub>	38
VDD_CB02	Core Group B Supply	AA18	—	V <sub>DD_CB</sub>	38
VDD_CB01	Core Group B Supply	AA20	—	V <sub>DD_CB</sub>	38
VDD_LP	Low Power Security Monitor Supply	L20	—	V <sub>DD_LP</sub>	25
AVDD_CC1	Core Cluster PLL1 Supply	V7	—	—	13
AVDD_CC2	Core Cluster PLL2 Supply	W22	—	—	13
AVDD_PLAT	Platform PLL Supply	V22	—	—	13

Table 1. Pin List by Bus (continued)

Signal	Signal Description	Package Pin Number	Pin Type	Power Supply	Note
AVDD_DDR	DDR PLL Supply	W6	—	—	13
AVDD_SRDS1	SerDes PLL1 Supply	C1	—	—	13
AVDD_SRDS2	SerDes PLL2 Supply	A17	—	—	13
SENSEVDD_CA_PL	Core Group A and Platform Vdd Sense	H8	—	—	8
SENSEVDD_CB	Core Group B Vdd Sense	AB16	—	—	8
USB1_VDD_3P3	USB1 PHY Transceiver 3.3 V Supply	M23	—	—	—
USB2_VDD_3P3	USB2 PHY Transceiver 3.3 V Supply	J23	—	—	—
USB1_VDD_1P0	USB1 PHY PLL 1.0 V Supply	L22	—	—	—
USB2_VDD_1P0	USB2 PHY PLL 1.0 V Supply	K22	—	—	—
<b>Analog Signals</b>					
MVREF	SSTL_1.5/1.35 Reference Voltage	W7	I	$GV_{DD}/2$	—
SD_IMP_CAL_TX	SerDes Tx Impedance Calibration	E21	I	$200\Omega$ ( $\pm 1\%$ ) to $XV_{DD}$	21
SD_IMP_CAL_RX	SerDes Rx Impedance Calibration	F7	I	$200\Omega$ ( $\pm 1\%$ ) to $SV_{DD}$	22
TEMP_ANODE	Temperature Diode Anode	V5	—	internal diode	9
TEMP_CATHODE	Temperature Diode Cathode	U6	—	internal diode	9
USB2_IBIAS_REXT	USB PHY2 Reference Bias Current Generation	K23	—	GND	32
USB1_IBIAS_REXT	USB PHY1 Reference Bias Current Generation	L23	—	GND	32
USB2_VDD_1P8_DECAP	USB2 PHY 1.8 V Output to External Decap	K24	—	GND	33
USB1_VDD_1P8_DECAP	USB1 PHY 1.8 V Output to External Decap	L24	—	GND	33
<b>No Connection Pins</b>					
NC03	No Connection	W4	—	—	11
NC04	No Connection	W3	—	—	11
NC05	No Connection	W1	—	—	11
NC06	No Connection	H7	—	—	11
NC07	No Connection	G7	—	—	11
NC08	No Connection	F20	—	—	11
NC09	No Connection	F19	—	—	11

Table 1. Pin List by Bus (continued)

Signal	Signal Description	Package Pin Number	Pin Type	Power Supply	Note
NC10	No Connection	F18	—	—	11
NC11	No Connection	F16	—	—	11
NC12	No Connection	F13	—	—	11
NC13	No Connection	F12	—	—	11
NC14	No Connection	F11	—	—	11
NC15	No Connection	F10	—	—	11
NC16	No Connection	F9	—	—	11
NC17	No Connection	F8	—	—	11
NC18	No Connection	E20	—	—	11
NC19	No Connection	E19	—	—	11
NC20	No Connection	E18	—	—	11
NC21	No Connection	E16	—	—	11
NC22	No Connection	E15	—	—	11
NC23	No Connection	E14	—	—	11
NC24	No Connection	E13	—	—	11
NC25	No Connection	E12	—	—	11
NC26	No Connection	E11	—	—	11
NC27	No Connection	E10	—	—	11
NC28	No Connection	E9	—	—	11
NC29	No Connection	E8	—	—	11
NC30	No Connection	E7	—	—	11
NC31	No Connection	D22	—	—	11
NC32	No Connection	D6	—	—	11
NC33	No Connection	D5	—	—	11
NC34	No Connection	C22	—	—	11
NC35	No Connection	C6	—	—	11
NC_M21	No Connection	M21	—	—	11
<b>Reserved Pins</b>					
Reserve	—	E5	—	—	11
Reserve	—	E6	—	—	11
Reserve	—	F14	—	—	11
Reserve	—	F15	—	—	11
Reserve	—	AB17	—	GND	19
Reserve	—	AB18	—	GND	19

Table 1. Pin List by Bus (continued)

Signal	Signal Description	Package Pin Number	Pin Type	Power Supply	Note
Reserve	—	AB19	—	GND	19
Reserve	—	AB20	—	GND	19

**Note:**

1. Recommend that a weak pull-up resistor (2–10 k $\Omega$ ) be placed on this pin to  $OV_{DD}$ .
2. This pin is an open drain signal.
3. This pin is a reset configuration pin. It has a weak internal pull-up P-FET which is enabled only when the processor is in the reset state. This pull-up is designed such that it can be overpowered by an external 4.7-k $\Omega$  resistor. However, if the signal is intended to be high after reset, and if there is any device on the net that might pull down the value of the net at reset, then a pull up or active driver is needed.
4. Functionally, this pin is an output, but structurally it is an I/O because it either samples configuration input during reset or it has other manufacturing test functions. This pin is therefore described as an I/O for boundary scan.
5. Recommend that a weak pull-up resistor (2–10 k $\Omega$ ) be placed on this pin to  $BV_{DD}$  in order to ensure no random chip select assertion due to possible noise, etc.
6. This output is actively driven during reset rather than being three-stated during reset.
7. These JTAG pins have weak internal pull-up P-FETs that are always enabled.
8. These pins are connected to the corresponding power and ground nets internally. They may be connected as a differential pair to be used by the voltage regulators with remote sense function. For Rev1.1 silicon, the better solution is to use the far sense pins relative to the power supply location, the other pair can be left as no connected. The DC power simulation should be done during the board layout process to approve the selected solution.
9. These pins may be connected to a thermal diode monitoring device such as the ADT7461A. If a thermal diode monitoring device is not connected, these pins may be connected to test point or left as a no connect.
10. If this pin is connected to a device that pulls down during reset, an external pull-up is required to drive this pin to a safe state during reset.
11. Do not connect.
12. These are test signals for factory use only and must be pulled low (1 k $\Omega$ –2 k $\Omega$ ) to ground (GND) for normal machine operation.
13. Independent supplies derived from board  $V_{DD\_CA\_CB\_PL}$  (core clusters, platform, DDR) or  $SV_{DD}$  (SerDes).
14. Recommend that a pull-up resistor (1 k $\Omega$ ) be placed on this pin to  $OV_{DD}$  if I<sup>2</sup>C interface is used.
15. This pin requires an external 1 k $\Omega$  pull-down resistor to prevent PHY from seeing a valid Transmit Enable before it is actively driven.
16. For DDR3 and DDR3L,  $Dn\_MDIC[0]$  is grounded through an 20- $\Omega$  (full-strength mode) or 40.2- $\Omega$  (half-strength mode) precision 1% resistor and  $Dn\_MDIC[1]$  is connected to  $GV_{DD}$  through an 20- $\Omega$  (full-strength mode) or 40.2- $\Omega$  (half-strength mode) precision 1% resistor. These pins are used for automatic calibration of the DDR3 and DDR3L IOs.
17. These pins must be pulled up to 1.2 V through a 180  $\Omega \pm 1\%$  resistor for EM2\_MDC and a 330  $\Omega \pm 1\%$  resistor for EM2\_MDIO.
18. Pin has a weak internal pull-up.
19. These pins must be pulled to ground (GND).
20. Ethernet MII Management Interface 2 pins function as open drain I/Os. The interface shall conform to 1.2 V nominal voltage levels.  $LV_{DD}$  must be powered to use this interface.
21. This pin requires a 200- $\Omega$  pull-up to  $XV_{DD}$ .
22. This pin requires a 200- $\Omega$  pull-up to  $SV_{DD}$ .
23. This GPIO pin is on  $LV_{DD}$  power plane, not  $OV_{DD}$ .
24. Functionally, this pin is an I/O, but may act as an output only or an input only depending on the pin mux configuration defined by the RCW.
25. See Section 3.6, “Connection Recommendations,” for additional details on this signal.

Table 1. Pin List by Bus (continued)

Signal	Signal Description	Package Pin Number	Pin Type	Power Supply	Note
--------	--------------------	--------------------	----------	--------------	------

26. For reduced core (core 2 and 3 disabled) mode, this signal must be pulled high (100  $\Omega$ –1 k $\Omega$ ) to OVDD.
27. Warning, incorrect voltage select settings can lead to irreversible device damage. This pin has an internal 2 k $\Omega$  pull-down resistor, to pull it high, a pull-up resistor of less than 1 k $\Omega$  to OVDD should be used. See [Section 3.2, “Supply Power Default Setting.”](#)
28. SDHC\_DAT[4:7] require  $V_{DD} = 3.3$  V when muxed extended SDHC data signals are enabled via the RCW[SPI] field.
29. The *cfg\_xvdd\_sel* (LA[26]) reset configuration pin must select the correct voltage that is being supplied on the XVDD pin. Incorrect voltage select settings can lead to irreversible device damage.
30. See [Section 2.2, “Power Up Sequencing,”](#) and [Section 5, “Security Fuse Processor,”](#) for additional details on this signal.
31. Pin must NOT be pulled down during power-on reset.
32. This pin must be connected to GND through a 10 k $\Omega \pm 0.1\%$  resistor for bias generation.
33. A 1  $\mu$ F to 1.5  $\mu$ F capacitor connected to GND is required on this signal. [Section 3.6.4.2, “USBn\\_VDD\\_1P8\\_DECAP Capacitor Options,”](#) provides a list of recommended capacitors.
34. A divider network is required on this signal. See [Section 3.6.4.1, “USB Divider Network.”](#)
35. These are test signals for factory use only and must be pulled up (100  $\Omega$ –1 k $\Omega$ ) to OVDD for normal machine operation.
36. For systems which boot from Local Bus (GPCM)-controlled NOR flash or (FCM)-controlled NAND flash, a pull-up on LGPL4 is required.
37. Pin must be pulled down during power-on reset.
38. Core Group A and Platform supply ( $V_{DD\_CA\_PL}$ ) and Core Group B supply ( $V_{DD\_CB}$ ) were separate supplies in Rev1.0, they are tied together in Rev1.1.

## 2 Electrical Characteristics

This section provides the AC and DC electrical specifications for the chip. The chip is currently targeted to these specifications. Some of these specifications are independent of the I/O cell, but they are included for a more complete reference. These are not purely I/O buffer design specifications.

### 2.1 Overall DC Electrical Characteristics

This section describes the ratings, conditions, and other electrical characteristics.

#### 2.1.1 Absolute Maximum Ratings

Table 2. Absolute Operating Conditions<sup>1</sup>

Parameter	Symbol	Max Value	Unit	Note
Core Group A (cores 0–1) and platform supply voltage (Silicon Rev 1.0)	$V_{DD\_CA\_PL}$	–0.3 to 1.1	V	9, 10
Core Group B (cores 2–3) supply voltage (Silicon Rev 1.0)	$V_{DD\_CB}$	–0.3 to 1.1	V	9, 10
Core Group A (cores 0–1), Core Group B (cores 2–3) and platform supply voltage (Silicon Rev 1.1)	$V_{DD\_CA\_CB\_PL}$	–0.3 to 1.1	V	9, 10
PLL supply voltage (core, platform, DDR)	$AV_{DD}$	–0.3 to 1.1	V	—
PLL supply voltage (SerDes, filtered from $SV_{DD}$ )	$AV_{DD\_SRDS}$	–0.3 to 1.1	V	—
Fuse programming override supply	$POV_{DD}$	–0.3 to 1.65	V	1
DUART, I <sup>2</sup> C, DMA, MPIC, GPIO, system control and power management, clocking, debug, I/O voltage select, and JTAG I/O voltage	$OV_{DD}$	–0.3 to 3.63	V	—

Table 2. Absolute Operating Conditions<sup>1</sup> (continued)

Parameter		Symbol	Max Value	Unit	Note
eSPI, eSHDC, GPIO		$CV_{DD}$	-0.3 to 3.63 -0.3 to 2.75 -0.3 to 1.98	V	—
DDR3 and DDR3L DRAM I/O voltage		$GV_{DD}$	-0.3 to 1.65	V	—
Enhanced local bus I/O voltage		$BV_{DD}$	-0.3 to 3.63 -0.3 to 2.75 -0.3 to 1.98	V	—
SerDes core logic supply and receivers		$SV_{DD}$	-0.3 to 1.1	V	—
Pad power supply for SerDes transceivers		$XV_{DD}$	-0.3 to 1.98 -0.3 to 1.65	V	—
Ethernet I/O, Ethernet management interface 1 (EMI1), 1588, GPIO		$LV_{DD}$	-0.3 to 3.63 -0.3 to 2.75	V	3
Ethernet management interface 2 (EMI2)		$LV_{DD}$	-0.3 to 1.32	V	8
USB PHY transceiver supply voltage		$USB\_V_{DD\_3P3}$	-0.3 to 3.63	V	—
USB PHY PLL supply voltage		$USB\_V_{DD\_1P0}$	-0.3 to 1.1	V	—
Low Power Security Monitor Supply		$V_{DD\_LP}$	-0.3 to 1.1	V	—
Input voltage <sup>7</sup>	DDR3 and DDR3L DRAM signals	$MV_{IN}$	-0.3 to ( $GV_{DD} + 0.3$ )	V	2, 7
	DDR3 and DDR3L DRAM reference	$MV_{REF}^n$	-0.3 to ( $GV_{DD}/2 + 0.3$ )	V	2, 7
	Ethernet signals (except EMI2), GPIO	$LV_{IN}$	-0.3 to ( $LV_{DD} + 0.3$ )	V	3, 7
	eSPI, eSHDC, GPIO	$CV_{IN}$	-0.3 to ( $CV_{DD} + 0.3$ )	V	4, 7
	Enhanced local bus signals	$BV_{IN}$	-0.3 to ( $BV_{DD} + 0.3$ )	V	5, 7
	DUART, I <sup>2</sup> C, DMA, MPIC, GPIO, system control and power management, clocking, debug, I/O voltage select, and JTAG I/O voltage	$OV_{IN}$	-0.3 to ( $OV_{DD} + 0.3$ )	V	6, 7
	SerDes signals	$XV_{IN}$	-0.4 to ( $XV_{DD} + 0.3$ )	V	7
	USB PHY transceiver signals	$USB\_V_{IN\_3P3}$	-0.3 to ( $USB\_V_{DD\_3P3} + 0.3$ )	V	7
Ethernet management interface 2 (EMI2) signals		—	-0.3 to (1.2 + 0.3)	V	7
Storage junction temperature range		$T_{stg}$	-55 to 150	°C	—

Table 2. Absolute Operating Conditions<sup>1</sup> (continued)

Parameter	Symbol	Max Value	Unit	Note
-----------	--------	-----------	------	------

**Note:**

- Functional operating conditions are given in Table 3. Absolute maximum ratings are stress ratings only; functional operation at the maximums is not guaranteed. Stresses beyond those listed may affect device reliability or cause permanent damage to the device.
- Caution:**  $MV_{IN}$  must not exceed  $GV_{DD}$  by more than 0.3 V. This limit may be exceeded for a maximum of 20 ms during power-on reset and power-down sequences.
- Caution:**  $LV_{IN}$  must not exceed  $LV_{DD}$  by more than 0.3 V. This limit may be exceeded for a maximum of 20 ms during power-on reset and power-down sequences.
- Caution:**  $CV_{IN}$  must not exceed  $CV_{DD}$  by more than 0.3 V. This limit may be exceeded for a maximum of 20 ms during power-on reset and power-down sequences.
- Caution:**  $BV_{IN}$  must not exceed  $BV_{DD}$  by more than 0.3 V. This limit may be exceeded for a maximum of 20 ms during power-on reset and power-down sequences.
- Caution:**  $OV_{IN}$  must not exceed  $OV_{DD}$  by more than 0.3 V. This limit may be exceeded for a maximum of 20 ms during power-on reset and power-down sequences.
- (C,X,B,G,L,O) $V_{IN}$  may overshoot (for  $V_{IH}$ ) or undershoot (for  $V_{IL}$ ) to the voltages and maximum duration shown in Figure 7.
- Ethernet MII Management Interface 2 pins function as open drain I/Os. The interface conforms to 1.2 V nominal voltage levels.  $LV_{DD}$  must be powered to use this interface.
- Supply voltage specified at the voltage sense pin. Voltage input pins must be regulated to provide specified voltage at the sense pin.
- Core Group A and Platform supply ( $V_{DD\_CA\_PL}$ ) and Core Group B supply ( $V_{DD\_CB}$ ) were separate supplies in Rev1.0, they are tied together in Rev1.1.

## 2.1.2 Recommended Operating Conditions

This table provides the recommended operating conditions for this device. Note that proper device operation outside these conditions is not guaranteed.

Table 3. Recommended Operating Conditions

Parameter	Symbol	Recommended Value	Unit	Note
Core Group A (cores 0–1) and platform supply voltage (Silicon Rev 1.0)	$V_{DD\_CA\_PL}$	1.0 ± 40 mV (CPU speed > 1333 MHz) 1.0 ± 50 mV (CPU speed ≤ 1333 MHz)	V	5, 6
Core Group B (cores 2–3) supply voltage (Silicon Rev 1.0)	$V_{DD\_CB}$	1.0 ± 40 mV (CPU speed > 1333 MHz) 1.0 ± 50 mV (CPU speed ≤ 1333 MHz)	V	5, 6
Core Group A (cores 0–1), Core Group B (cores 2–3) and platform supply voltage (Silicon Rev 1.1)	$V_{DD\_CA\_CB\_PL}$	1.0 ± 40 mV (CPU speed > 1333 MHz) 1.0 ± 50 mV (CPU speed ≤ 1333 MHz)	V	5, 6
PLL supply voltage (core, platform, DDR)	$AV_{DD}$	1.0 ± 40 mV (CPU speed > 1333 MHz) 1.0 ± 50 mV (CPU speed ≤ 1333 MHz)	V	—
PLL supply voltage (SerDes)	$AV_{DD\_SRDS}$	1.0 ± 50 mV	V	—
Fuse programming override supply	$POV_{DD}$	1.5 ± 75 mV	V	2
DUART, I <sup>2</sup> C, DMA, MPIC, GPIO, system control and power management, clocking, debug, I/O voltage select, and JTAG I/O voltage	$OV_{DD}$	3.3 ± 165 mV	V	—

## Electrical Characteristics

**Table 3. Recommended Operating Conditions (continued)**

Parameter	Symbol	Recommended Value	Unit	Note	
eSPI, eSDHC, GPIO	$CV_{DD}$	3.3 ± 165 mV 2.5 ± 125 mV 1.8 ± 90 mV	V	—	
DDR DRAM I/O voltage DDR3 DDR3L	$GV_{DD}$	1.5 ± 75 mV 1.35 ± 67 mV	V	—	
Enhanced local bus I/O voltage	$BV_{DD}$	3.3 ± 165 mV 2.5 ± 125 mV 1.8 ± 90 mV	V	—	
SerDes core logic supply and transceivers	$SV_{DD}$	1.0 ± 50 mV	V	—	
Pad power supply for SerDes transceivers	$XV_{DD}$	1.8 ± 90 mV 1.5 ± 75 mV	V	—	
Ethernet I/O, Ethernet management interface 1 (EMI1), 1588, GPIO	$LV_{DD}$	3.3 ± 165 mV 2.5 ± 125 mV	V	3	
USB PHY transceiver supply voltage	$USB\_V_{DD\_3P3}$	3.3 ± 165 mV	V	—	
USB PHY PLL supply voltage	$USB\_V_{DD\_1P0}$	1.0 ± 50 mV	V	—	
Low Power Security Monitor Supply	$V_{DD\_LP}$	1.0 ± 50 mV	V	—	
Input voltage	DDR3 and DDR3L DRAM signals	$MV_{IN}$	GND to $GV_{DD}$	V	—
	DDR3 and DDR3L DRAM reference	$MV_{REF}$	$GV_{DD}/2 \pm 1\%$	V	—
	Ethernet signals (except EMI2), GPIO	$LV_{IN}$	GND to $LV_{DD}$	V	—
	eSPI, eSHDC, GPIO	$CV_{IN}$	GND to $CV_{DD}$	V	—
	Enhanced Local Bus signals	$BV_{IN}$	GND to $BV_{DD}$	V	—
	DUART, I <sup>2</sup> C, DMA, MPIC, GPIO, system control and power management, clocking, debug, I/O voltage select, and JTAG I/O voltage	$OV_{IN}$	GND to $OV_{DD}$	V	—
	SerDes signals	$XV_{IN}$	GND to $XV_{DD}$	V	—
	USB PHY Transceiver signals	$USB\_V_{IN\_3P3}$	GND to $USB\_V_{DD\_3P3}$	V	—
	Ethernet Management Interface 2 (EMI2) signals	—	GND to 1.2V	V	4



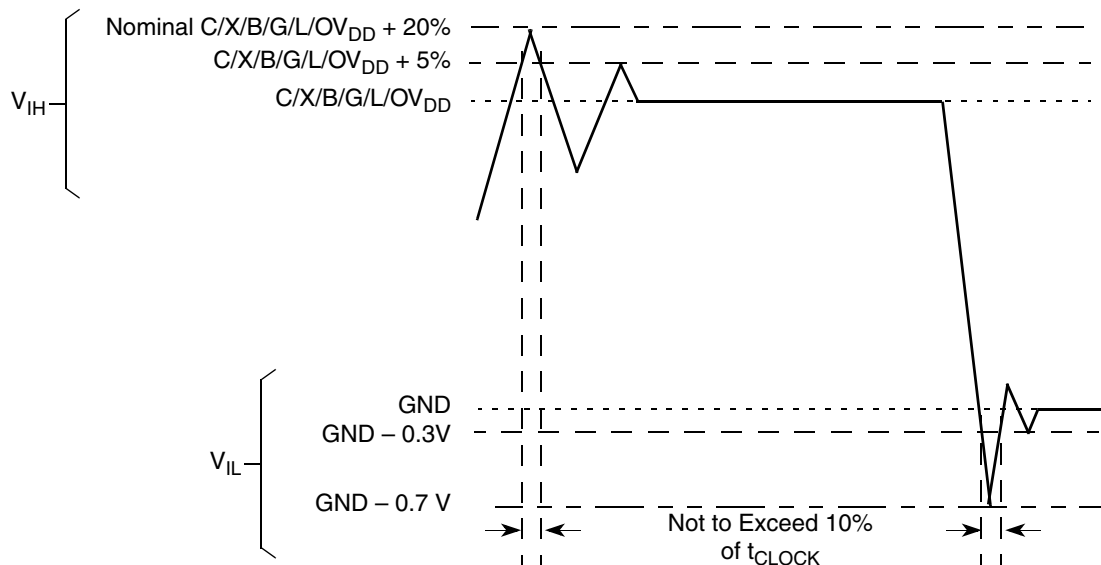
Table 3. Recommended Operating Conditions (continued)

Parameter		Symbol	Recommended Value	Unit	Note
Operating Temperature range	Normal Operation	$T_A$ , $T_J$	$T_A = 0$ (min) to $T_J = 105$ (max)	°C	—
	Extended Operation	$T_A$ , $T_J$	$T_A = -40$ (min) to $T_J = 105$ (max)	°C	—
	Secure Boot Fuse Programming	$T_A$ , $T_J$	$T_A = 0$ (min) to $T_J = 70$ (max)	°C	1

**Note:**

1.  $POV_{DD}$  must be supplied 1.5 V and the device must operate in the specified fuse programming temperature range only during secure boot fuse programming. For all other operating conditions,  $POV_{DD}$  must be tied to GND, subject to the power sequencing constraints shown in Section 2.2, “Power Up Sequencing.”
2. Selecting RGMII limits  $LV_{DD}$  to 2.5 V.
3. Unless otherwise stated in an interface’s DC specifications, the maximum allowed input capacitance in this table is a general recommendation for signals.
4. Ethernet MII Management Interface 2 pins function as open drain I/Os. The interface conforms to 1.2 V nominal voltage levels.  $LV_{DD}$  must be powered to use this interface.
5. Supply voltage specified at the voltage sense pin. Voltage input pins must be regulated to provide specified voltage at the sense pin.
6. Core Group A and Platform supply ( $V_{DD\_CA\_PL}$ ) and Core Group B supply ( $V_{DD\_CB}$ ) were separate supplies in Rev1.0, they are tied together in Rev1.1.

This figure shows the undershoot and overshoot voltages at the interfaces of the device.

**Notes:**

$t_{CLOCK}$  refers to the clock period associated with the respective interface:

- For I<sup>2</sup>C,  $t_{CLOCK}$  refers to SYSCLK.
- For DDR  $GV_{DD}$ ,  $t_{CLOCK}$  refers to  $Dn\_MCK$ .
- For eSPI  $CV_{DD}$ ,  $t_{CLOCK}$  refers to SPI\_CLK.
- For eLBC  $BV_{DD}$ ,  $t_{CLOCK}$  refers to LCLK.
- For SerDes  $XV_{DD}$ ,  $t_{CLOCK}$  refers to SD\_REF\_CLK.
- For dTSEC  $LV_{DD}$ ,  $t_{CLOCK}$  refers to EC\_GTX\_CLK125.
- For JTAG  $OV_{DD}$ ,  $t_{CLOCK}$  refers to TCK.

**Figure 7. Overshoot/Undershoot Voltage for  $BV_{DD}/GV_{DD}/LV_{DD}/OV_{DD}$**

## Electrical Characteristics

The core and platform voltages must always be provided at nominal 1.0 V. See [Table 3](#) for the actual recommended core voltage conditions. Voltage to the processor interface I/Os is provided through separate sets of supply pins and must be provided at the voltages shown in [Table 3](#). The input voltage threshold scales with respect to the associated I/O supply voltage.  $CV_{DD}$ ,  $BV_{DD}$ ,  $OV_{DD}$ , and  $LV_{DD}$ -based receivers are simple CMOS I/O circuits and satisfy appropriate LVCMOS type specifications. The DDR SDRAM interface uses differential receivers referenced by the externally supplied  $MV_{REF^n}$  signal (nominally set to  $GV_{DD}/2$ ) as is appropriate for the SSTL\_1.5/SSTL\_1.35 electrical signaling standard. The DDR DQS receivers cannot be operated in single-ended fashion. The complement signal must be properly driven and cannot be grounded.

### 2.1.3 Output Driver Characteristics

This table provides information about the characteristics of the output driver strengths. The values are preliminary estimates.

**Table 4. Output Drive Capability**

Driver Type	Output Impedance ( $\Omega$ )	(Nominal) Supply Voltage	Note
Local Bus interface utilities signals	45	$BV_{DD} = 3.3\text{ V}$	—
	45	$BV_{DD} = 2.5\text{ V}$	
	45	$BV_{DD} = 1.8\text{ V}$	
DDR3 signal	20 (full-strength mode)	$GV_{DD} = 1.5\text{ V}$	1
	40 (half-strength mode)		
DDR3L signal	20 (full-strength mode)	$GV_{DD} = 1.35\text{ V}$	1
	40 (half-strength mode)		
eTSEC/10/100 signals	45	$LV_{DD} = 3.3\text{ V}$	—
	45	$LV_{DD} = 2.5\text{ V}$	
DUART, system control, JTAG	45	$OV_{DD} = 3.3\text{ V}$	—
I <sup>2</sup> C	45	$OV_{DD} = 3.3\text{ V}$	—
eSPI, eSDHC	45	$CV_{DD} = 3.3\text{ V}$	—
	45	$CV_{DD} = 2.5\text{ V}$	
	45	$CV_{DD} = 1.8\text{ V}$	

**Note:**

1. The drive strength of the DDR3 or DDR3L interface in half-strength mode is at  $T_j = 105\text{ }^\circ\text{C}$  and at  $GV_{DD}$  (min).

## 2.2 Power Up Sequencing

The device requires that its power rails be applied in a specific sequence in order to ensure proper device operation. These requirements are as follows for power up:

1. Bring up  $OV_{DD}$ ,  $LV_{DD}$ ,  $BV_{DD}$ ,  $CV_{DD}$ , and  $USB\_V_{DD\_3P3}$ . Drive  $POV_{DD} = GND$ .
  - $\overline{PORESET}$  input must be driven asserted and held during this step.
  - $IO\_VSEL$  inputs must be driven during this step and held stable during normal operation.
  - $USB\_V_{DD\_3P3}$  rise time (10% to 90%) has a minimum of 350  $\mu\text{s}$ .
2. Bring up  $V_{DD\_CA\_CB\_PL}$ ,  $SV_{DD}$ ,  $AV_{DD}$  (cores, platform, SerDes) and  $USB\_V_{DD\_1P0}$ .  $V_{DD\_CA\_CB\_PL}$  and  $USB\_V_{DD\_1P0}$  must be ramped up simultaneously.
3. Bring up  $GV_{DD}$  (DDR) and  $XV_{DD}$ .
4. Negate  $\overline{PORESET}$  input as long as the required assertion/hold time has been met per [Table 17](#).

- For secure boot fuse programming: After negation of  $\overline{\text{PORESET}}$ , drive  $\text{POV}_{\text{DD}} = 1.5 \text{ V}$  after a required minimum delay per Table 5. After fuse programming is completed, it is required to return  $\text{POV}_{\text{DD}} = \text{GND}$  before the system is power cycled ( $\overline{\text{PORESET}}$  assertion) or powered down ( $\text{V}_{\text{DD\_CA\_CB\_PL}}$  ramp down) per the required timing specified in Table 5. See Section 5, “Security Fuse Processor,” for additional details.

**WARNING**

Only two secure boot fuse programming events are permitted per lifetime of a device.

No activity other than that required for secure boot fuse programming is permitted while  $\text{POV}_{\text{DD}}$  driven to any voltage above GND, including the reading of the fuse block. The reading of the fuse block may only occur while  $\text{POV}_{\text{DD}} = \text{GND}$ .

While VDD is ramping, current may be supplied from VDD through the chip to GVDD. Nevertheless, GVDD from an external supply should follow the sequencing described above.

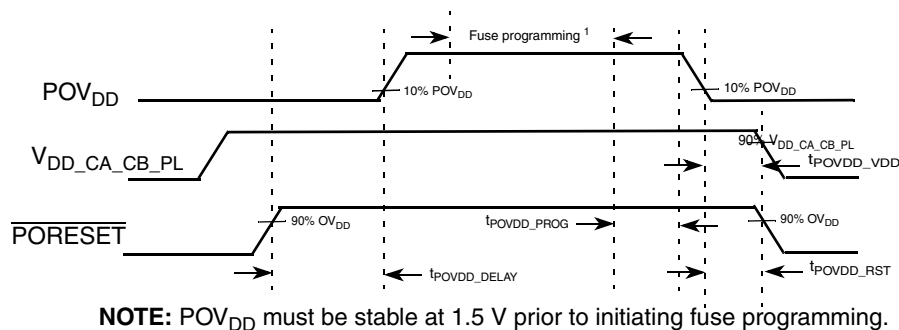
**WARNING**

Only 100,000 POR cycles are permitted per lifetime of a device.

All supplies must be at their stable values within 75 ms.

Items on the same line have no ordering requirement with respect to one another. Items on separate lines must be ordered sequentially such that voltage rails on a previous step must reach 90% of their value before the voltage rails on the current step reach 10% of theirs.

This figure provides the  $\text{POV}_{\text{DD}}$  timing diagram.



NOTE:  $\text{POV}_{\text{DD}}$  must be stable at 1.5 V prior to initiating fuse programming.

Figure 8.  $\text{POV}_{\text{DD}}$  Timing Diagram

This table provides information on the power-down and power-up sequence parameters for  $\text{POV}_{\text{DD}}$ .

Table 5.  $\text{POV}_{\text{DD}}$  Timing <sup>5</sup>

Driver Type	Min	Max	Unit	Note
$t_{\text{POVDD\_DELAY}}$	100	—	SYCLKs	1
$t_{\text{POVDD\_PROG}}$	0	—	$\mu\text{s}$	2
$t_{\text{POVDD\_VDD}}$	0	—	$\mu\text{s}$	3
$t_{\text{POVDD\_RST}}$	0	—	$\mu\text{s}$	4

Table 5.  $POV_{DD}$  Timing <sup>5</sup>

Driver Type	Min	Max	Unit	Note
-------------	-----	-----	------	------

**Note:**

1. Delay required from the negation of  $\overline{PORESET}$  to driving  $POV_{DD}$  ramp up. Delay measured from  $\overline{PORESET}$  negation at 90%  $OV_{DD}$  to 10%  $POV_{DD}$  ramp up.
2. Delay required from fuse programming finished to  $POV_{DD}$  ramp down start. Fuse programming must complete while  $POV_{DD}$  is stable at 1.5 V. No activity other than that required for secure boot fuse programming is permitted while  $POV_{DD}$  driven to any voltage above GND, including the reading of the fuse block. The reading of the fuse block may only occur while  $POV_{DD} = GND$ . After fuse programming is completed, it is required to return  $POV_{DD} = GND$ .
3. Delay required from  $POV_{DD}$  ramp down complete to  $V_{DD\_CA\_CB\_PL}$  ramp down start.  $POV_{DD}$  must be grounded to minimum 10%  $POV_{DD}$  before  $V_{DD\_CA\_CB\_PL}$  is at 90%  $V_{DD}$ .
4. Delay required from  $POV_{DD}$  ramp down complete to  $\overline{PORESET}$  assertion.  $POV_{DD}$  must be grounded to minimum 10%  $POV_{DD}$  before  $\overline{PORESET}$  assertion reaches 90%  $OV_{DD}$ .
5. Only two secure boot fuse programming events are permitted per lifetime of a device.

To guarantee MCKE low during power up, the above sequencing for  $GV_{DD}$  is required. If there is no concern about any of the DDR signals being in an indeterminate state during power up, the sequencing for  $GV_{DD}$  is not required.

**WARNING**

Incorrect voltage select settings can lead to irreversible device damage. See [Section 3.2, “Supply Power Default Setting.”](#)

**NOTE**

From a system standpoint, if any of the I/O power supplies ramp prior to the  $V_{DD\_CA\_CB\_PL}$  supplies, the I/Os associated with that I/O supply may drive a logic one or zero during power-up, and extra current may be drawn by the device.

## 2.3 Power Down Requirements

The power-down cycle must complete such that power supply values are below 0.4 V before a new power-up cycle can be started.

If performing secure boot fuse programming per [Section 2.2, “Power Up Sequencing,”](#) it is required that  $POV_{DD} = GND$  before the system is power cycled ( $\overline{PORESET}$  assertion) or powered down ( $V_{DD\_CA\_CB\_PL}$  ramp down) per the required timing specified in [Table 5](#).

$V_{DD\_CA\_CB\_PL}$  and  $USB\_V_{DD\_1P0}$  must be ramped down simultaneously.  $USB\_V_{DD\_1P8\_DECAP}$  should start ramping down only after  $USB\_V_{DD\_3P3}$  is below 1.65 V.

## 2.4 Power Characteristics

This table shows the power dissipations of the  $V_{DD\_CA\_CB\_PL}$  supply for various operating platform clock frequencies versus the core and DDR clock frequencies.

**Table 6. Device Power Dissipation**

Power Mode	Core Freq (MHz)	Plat Freq (MHz)	DDR Data Rate (MT/s)	FM Freq (MHz)	$V_{DD\_CA\_CB\_PL}$ (V)	Junction Temp (°C)	$V_{DD\_CA\_CB\_PL}$ Power (W)		$V_{DD\_CA\_CB\_PL}$ Power (W)		SV <sub>DD</sub> Power (W)	Note
							Core & Platform Power <sup>1</sup>	—	Core & Platform Power <sup>1</sup>	—		
							Quad Cores		Dual Cores			
Typical	1500	750	1333	583	1.0	65	13.2	—	12.5	—	—	2, 3
Thermal						105	18.6	—	18.1	—	—	5, 7
Maximum						19.3	18.1	18.4	17.1	1.4	4, 6, 7	
Typical	1333	666	1333	541	1.0	65	11.6	—	11.1	—	—	2, 3
Thermal						105	16.3	—	15.8	—	—	5, 7
Maximum						16.9	15.7	16.1	14.8	1.4	4, 6, 7	
Typical	1200	600	1200	500	1.0	65	10.3	—	9.8	—	—	2, 3
Thermal						105	14.2	—	13.8	—	—	5, 7
Maximum						14.8	13.5	14.0	12.8	1.4	4, 6, 7	

**Note:**

1. Combined power of  $V_{DD\_CA\_CB\_PL}$ , SVDD with the DDR controller and all SerDes banks active. Does not include I/O power.
2. Typical power assumes Dhrystone running with activity factor of 70% on all four cores, 80% on two cores and executing DMA on the platform with 90% activity factor.
3. Typical power based on nominal processed device.
4. Maximum power assumes Dhrystone running with activity factor at 100% on all cores and executing DMA on the platform with 100% activity factor.
5. Thermal power assumes Dhrystone running with activity factor of 70% on all four cores, 80% on two cores and executing DMA on the platform with 90% activity factor.
6. Maximum power provided for power supply design sizing.
7. Thermal and maximum power are based on worst case processed device.

This table shows the all I/O power supply estimated values.

**Table 7. P2041 I/O Power Supply Estimated Values**

Interface	Parameter	Symbol	Typical	Maximum	Unit	Notes
DDR3 64 Bits Per Controller	667 MT/s data rate	GVdd (1.5V)	0.705	1.764	W	1,2,5,6
	800 MT/s data rate		0.714	1.785		
	1066 MT/s data rate		0.731	1.827		
	1200 MT/s data rate		0.739	1.848		
	1333 MT/s data rate		0.747	1.869		

## Electrical Characteristics

**Table 7. P2041 I/O Power Supply Estimated Values (continued)**

HSSI: PCI-e, SGMII, SATA, SRIO, Aurora, Debug, XAUI	x1, 1.25 G-baud	XVdd (1.5V)	0.078	0.087	W	1, 7
	x2, 1.25 G-baud		0.119	0.134		
	x4, 1.25 G-baud		0.202	0.226		
	x8, 1.25 G-baud		0.367	0.411		
	x1, 2.5/3.0/3.125/5.0 G-baud		0.088	0.099		
	x2, 2.5/3.0/3.125/5.0 G-baud		0.139	0.156		
	x4, 2.5/3.0/3.125/5.0 G-baud		0.241	0.270		
	x8, 2.5/3.0/3.125/5.0 G-baud		0.447	0.501		
dTSEC Per Controller	RGMII	LVdd (2.5V)	0.075	0.100	W	1,3,6
IEEE 1588	—	LVdd (2.5V)	0.004	0.005	W	1,3,6
eLBC	32-bit, 100Mhz	BVdd (1.8V)	0.048	0.120	W	1,3,6
		BVdd (2.5V)	0.072	0.193		
		BVdd (3.3V)	0.120	0.277		
	16-bit, 100Mhz	BVdd (1.8V)	0.021	0.030	W	1,3,6
		BVdd (2.5V)	0.036	0.046		
		BVdd (3.3V)	0.057	0.076		
eSDHC	—	Ovdd (3.3V)	0.014	0.150	W	1,3,6
eSPI	—	CVdd (1.8V)	0.004	0.005	W	1,3,6
		CVdd (2.5V)	0.006	0.008		
		CVdd (3.3V)	0.010	0.013		
USB	—	USB_Vdd_3P3	0.012	0.015	W	1,3,6
I2C	—	OVdd (3.3V)	0.002	0.003	W	1,3,6
DUART	—	OVdd (3.3V)	0.006	0.008	W	1,3,6
GPIO	x8	OVdd (1.8V)	0.005	0.006	W	1,3,4,6
		OVdd (2.5V)	0.007	0.009		
		OVdd (3.3V)	0.009	0.011		

Table 7. P2041 I/O Power Supply Estimated Values (continued)

Others (Reset, System Clock, JTAG & Misc)	—	OVdd (3.3V)	0.003	0.015	W	1,3,4,6
---	---	-------------	-------	-------	---	---------

**Note:**

1. The typical values are estimates and based on simulations at 65 °C.
2. Typical DDR power numbers are based on one 2-rank DIMM with 40% utilization.
3. Assuming 15 pF total capacitance load.
4. GPIO's are supported on 1.8 V, 2.5 V and 3.3 V rails as specified in the hardware specification.
5. Maximum DDR power numbers are based on one 2-rank DIMM with 100% utilization.
6. The maximum values are estimated and they are based on simulations at 105 °C. The values are not intended to be used as the maximum guaranteed current.
7. The total power numbers of XVDD is dependent on customer application use case. This table lists all the SerDes configuration combination possible for the device. To get the XVDD power numbers, the user should add the combined lanes to match to the total SerDes lanes used, not simply multiply the power numbers by the number of lanes.

This table shows the estimated power dissipation on the  $AV_{DD}$  and  $AV_{DD\_SRDS}$  supplies for the device PLLs, at allowable voltage levels.

Table 8. Device  $AV_{DD}$  Power Dissipation

$AV_{DDs}$	Typical	Maximum	Unit	Note
$AV_{DD\_DDR}$	5	15	mW	1
$AV_{DD\_CC1}$				
$AV_{DD\_CC2}$				
$AV_{DD\_PLAT}$				
$AV_{DD\_SRDS1}$	—	36	mW	2
$AV_{DD\_SRDS2}$				
$USB\_V_{DD\_1P0}$	—	10	mW	3

**Note:**

1.  $V_{DD\_CA\_CB\_PL}$ ,  $T_A = 80^\circ\text{C}$ ,  $T_J = 105^\circ\text{C}$
2.  $SV_{DD} = 1.0\text{ V}$ ,  $T_A = 80^\circ\text{C}$ ,  $T_J = 105^\circ\text{C}$
3.  $USB\_V_{DD\_1P0} = 1.0\text{V}$ ,  $T_A = 80^\circ\text{C}$ ,  $T_J = 105^\circ\text{C}$

This table shows the estimated power dissipation on the  $POV_{DD}$  supply for the chip at allowable voltage levels.

Table 9.  $POV_{DD}$  Power Dissipation

Supply	Maximum	Unit	Notes
$POV_{DD}$	450	mW	1

**Note:**

1. To ensure device reliability, fuse programming must be performed within the recommended fuse programming temperature range per [Table 3](#).

## Electrical Characteristics

This table shows the estimated power dissipation on the  $V_{DD\_LP}$  supply for the device, at allowable voltage levels.

**Table 10.  $V_{DD\_LP}$  Power Dissipation**

Supply	Maximum	Unit	Notes
$V_{DD\_LP}$ (Device on, 105C)	1.5	mW	1
$V_{DD\_LP}$ (Device off, 70C)	195	$\mu$ W	2
$V_{DD\_LP}$ (Device off, 40C)	132	$\mu$ W	2

**Note:**

- $V_{DD\_LP} = 1.0$  V,  $T_J = 105^\circ\text{C}$ .
- When the device is off,  $V_{DD\_LP}$  may be supplied by battery power to retain the Zeroizable Master Key and other Trust Architecture state. Board should implement a PMIC, which switches  $V_{DD\_LP}$  to battery when the SoC is powered down. See the Trust Architecture chapter in the device reference manual for more information.

## 2.5 Thermal

**Table 11. Package Thermal Characteristics <sup>6</sup>**

Rating	Board	Symbol	Value	Unit	Note
Junction to ambient, natural convection	Single-layer board (1s)	$R_{\theta JA}$	21	$^\circ\text{C/W}$	1, 2
Junction to ambient, natural convection	Four-layer board (2s2p)	$R_{\theta JA}$	15	$^\circ\text{C/W}$	1, 3
Junction to ambient (at 200 ft./min.)	Single-layer board (1s)	$R_{\theta JMA}$	15	$^\circ\text{C/W}$	1, 2
Junction to ambient (at 200 ft./min.)	Four-layer board (2s2p)	$R_{\theta JMA}$	11	$^\circ\text{C/W}$	1, 2
Junction to board	—	$R_{\theta JB}$	6	$^\circ\text{C/W}$	3
Junction to case top	—	$R_{\theta J\text{Ctop}}$	.53	$^\circ\text{C/W}$	4
Junction to lid top	—	$R_{\theta J\text{Clid}}$	.16	$^\circ\text{C/W}$	5

**Note:**

- Junction temperature is a function of die size, on-chip power dissipation, package thermal resistance, mounting site (board) temperature, ambient temperature, air flow, power dissipation of other components on the board, and board thermal resistance.
- Per JEDEC [JESD51-3](#) and JESD51-6 with the board (JESD51-9) horizontal.
- Thermal resistance between the die and the printed-circuit board per JEDEC JESD51-8. Board temperature is measured on the top surface of the board near the package.
- Junction-to-case-top at the top of the package determined using MIL-STD 883 Method 1012.1. The cold plate temperature is used for the case temperature. Reported value includes the thermal resistance of the interface layer.
- Junction-to-lid-top thermal resistance determined using the using MIL-STD 883 Method 1012.1. However, instead of the cold plate, the lid top temperature is used here for the reference case temperature. Reported value does not include the thermal resistance of the interface layer between the package and cold plate.
- Reference [Section 3.8, “Thermal Management Information,”](#) for additional details.

## 2.6 Input Clocks

### 2.6.1 System Clock (SYSCLK) Timing Specifications

This table shows the SYSCLK DC electrical characteristics.



**Table 12. SYSCLK DC Electrical Characteristics ( $OV_{DD} = 3.3\text{ V}$ )**For recommended operating conditions, see [Table 3](#).

Parameter	Symbol	Min	Typical	Max	Unit	Note
Input high voltage	$V_{IH}$	2.0	—	—	V	1
Input low voltage	$V_{IL}$	—	—	0.8	V	1
Input capacitance	$C_{IN}$	—	—	15	pf	—
Input current ( $OV_{IN} = 0\text{ V}$ or $OV_{IN} = OV_{DD}$ )	$I_{IN}$	—	—	$\pm 50$	$\mu\text{A}$	2

**Note:**

1. The min  $V_{IL}$  and max  $V_{IH}$  values are based on the respective min and max  $OV_{IN}$  values found in [Table 3](#).
2. The symbol  $OV_{IN}$ , in this case, represents the  $OV_{IN}$  symbol referenced in [Section 2.1.2, "Recommended Operating Conditions."](#)

This table shows the SYSCLK AC timing specifications.

**Table 13. SYSCLK AC Timing Specifications**For recommended operating conditions, see [Table 3](#).

Parameter/Condition	Symbol	Min	Typ	Max	Unit	Note
SYSCLK frequency	$f_{SYSCLK}$	67	—	133	MHz	1, 2
SYSCLK cycle time	$t_{SYSCLK}$	7.5	—	15	ns	1, 2
SYSCLK duty cycle	$t_{KHK}/t_{SYSCLK}$	40	—	60	%	2
SYSCLK slew rate	—	1	—	4	V/ns	3
SYSCLK peak period jitter	—	—	—	$\pm 150$	ps	—
SYSCLK jitter phase noise at $-56\text{dBc}$	—	—	—	500	KHz	4
AC Input Swing Limits at $3.3\text{ V } OV_{DD}$	$\Delta V_{AC}$	1.9	—	—	V	—

**Note:**

1. **Caution:** The relevant clock ratio settings must be chosen such that the resulting SYSCLK frequency, do not exceed their respective maximum or minimum operating frequencies.
2. Measured at the rising edge and/or the falling edge at  $OV_{DD} \div 2$ .
3. Slew rate as measured from  $\pm 0.3 \Delta V_{AC}$  at center of peak to peak voltage at clock input.
4. Phase noise is calculated as FFT of TIE jitter.

## 2.6.2 Spread Spectrum Sources

Spread spectrum clock sources are an increasingly popular way to control electromagnetic interference emissions (EMI) by spreading the emitted noise to a wider spectrum and reducing the peak noise magnitude in order to meet industry and government requirements. These clock sources intentionally add long-term jitter to diffuse the EMI spectral content. The jitter specification given in this table considers short-term (cycle-to-cycle) jitter only. The clock generator's cycle-to-cycle output

## Electrical Characteristics

jitter should meet the device input cycle-to-cycle jitter requirement. Frequency modulation and spread are separate concerns; the device is compatible with spread spectrum sources if the recommendations listed in this table are observed.

**Table 14. Spread Spectrum Clock Source Recommendations**

For recommended operating conditions, see [Table 3](#).

Parameter	Min	Max	Unit	Note
Frequency modulation	—	60	kHz	—
Frequency spread	—	1.0	%	1, 2

**Note:**

1. SYSCLK frequencies that result from frequency spreading and the resulting core frequency must meet the minimum and maximum specifications given in [Table 13](#).
2. Maximum spread spectrum frequency may not result in exceeding any maximum operating frequency of the device.

### CAUTION

The processor's minimum and maximum SYSCLK and core/platform/DDR frequencies must not be exceeded regardless of the type of clock source. Therefore, systems in which the processor is operated at its maximum rated core/platform/DDR frequency should avoid violating the stated limits by using down-spreading only.

## 2.6.3 Real Time Clock Timing

The real time clock timing (RTC) input is sampled by the platform clock. The output of the sampling latch is then used as an input to the counters of the MPIC and the time base unit of the e500mc; there is no need for jitter specification. The minimum pulse width of the RTC signal must be greater than 16× the period of the platform clock. That is, minimum clock high time is 8× (platform clock), and minimum clock low time is 8× (platform clock). There is no minimum RTC frequency; RTC may be grounded if not needed.

## 2.6.4 dTSEC Gigabit Ethernet Reference Clock Timing

This table provides the dTSEC gigabit reference clocks DC electrical characteristics.

**Table 15. EC\_GTX\_CLK125 DC Timing Specifications**

Parameter	Symbol	Min	Max	Unit	Note
High-level input voltage	$V_{IH}$	2	—	V	1
Low-level input voltage	$V_{IL}$	—	0.7	V	1
Input current ( $LV_{IN} = 0\text{ V}$ or $LV_{IN} = LV_{DD}$ )	$I_{IN}$	—	±40	μA	2

**Note:**

1. The max  $V_{IH}$ , and min  $V_{IL}$  values are based on the respective min and max  $LV_{IN}$  values found in [Table 3](#).
2. The symbol  $LV_{IN}$ , in this case, represents the  $LV_{IN}$  symbol referenced in [Table 3](#).

This table provides the dTSEC gigabit reference clocks AC timing specifications.

**Table 16. EC\_GTX\_CLK125 AC Timing Specifications**

Parameter/Condition	Symbol	Min	Typical	Max	Unit	Note
EC_GTX_CLK125 frequency	$t_{G125}$	—	125	—	MHz	—
EC_GTX_CLK125 cycle time	$t_{G125}$	—	8	—	ns	—

Table 16. EC\_GTX\_CLK125 AC Timing Specifications (continued)

Parameter/Condition	Symbol	Min	Typical	Max	Unit	Note
EC_GTX_CLK125 rise and fall time LV <sub>DD</sub> = 2.5 V LV <sub>DD</sub> = 3.3 V	t <sub>G125R</sub> /t <sub>G125F</sub>	—	—	0.75 1.0	ns	1
EC_GTX_CLK125 duty cycle 1000Base-T for RGMII	t <sub>G125H</sub> /t <sub>G125</sub>	47	—	53	%	2
EC_GTX_CLK125 jitter	—	—	—	± 150	ps	2

**Note:**

- Rise and fall times for EC\_GTX\_CLK125 are measured from 20% to 80% (rise time) and 80% to 20% (fall time) of LV<sub>DD</sub>.
- EC\_GTX\_CLK125 is used to generate the GTX clock for the dTSEC transmitter with 2% degradation. EC\_GTX\_CLK125 duty cycle can be loosened from 47%/53% as long as the PHY device can tolerate the duty cycle generated by the dTSEC GTX\_CLK. See Section 2.12.2.2, “RGMII AC Timing Specifications,” for duty cycle for 10Base-T and 100Base-T reference clock.

## 2.6.5 Other Input Clocks

A description of the overall clocking of this device is available in the chip reference manual in the form of a clock subsystem block diagram. For information on the input clock requirements of functional blocks sourced external of the device, such as SerDes, Ethernet Management, eSDHC, Local Bus, see the specific interface section.

## 2.7 RESET Initialization

This section describes the AC electrical specifications for the RESET initialization timing requirements. This table provides the RESET initialization AC timing specifications.

Table 17. RESET Initialization Timing Specifications

Parameter	Min	Max	Unit <sup>1</sup>	Note
Required assertion time of $\overline{\text{PORESET}}$	1	—	ms	3
Required input assertion time of $\overline{\text{HRESET}}$	32	—	SYSCLKs	1, 2
Input setup time for POR configs with respect to negation of $\overline{\text{PORESET}}$	4	—	SYSCLKs	1
Input hold time for all POR configs with respect to negation of $\overline{\text{PORESET}}$	2	—	SYSCLKs	1
Maximum valid-to-high impedance time for actively driven POR configs with respect to negation of $\overline{\text{PORESET}}$	—	5	SYSCLKs	1

**Note:**

- SYSCLK is the primary clock input for the device.
- The device asserts  $\overline{\text{HRESET}}$  as an output when  $\overline{\text{PORESET}}$  is asserted to initiate the power-on reset process. The device releases  $\overline{\text{HRESET}}$  sometime after  $\overline{\text{PORESET}}$  is negated. The exact sequencing of  $\overline{\text{HRESET}}$  negation is documented in Section 4.4.1, “Power-On Reset Sequence,” in the chip reference manual.
- $\overline{\text{PORESET}}$  must be driven asserted before the core and platform power supplies are powered up. Refer to Section 2.2, “Power Up Sequencing.”

Table 18. PLL Lock Times

Parameter	Min	Max	Unit	Note
PLL lock times	—	100	μs	—

## 2.8 Power-on Ramp Rate

This section describes the AC electrical specifications for the power-on ramp rate requirements. Controlling the maximum power-on ramp rate is required to avoid falsely triggering the ESD circuitry. This table provides the power supply ramp rate specifications.

**Table 19. Power Supply Ramp Rate**

Parameter	Min	Max	Unit	Note
Required ramp rate for all voltage supplies (including $OV_{DD}/CV_{DD}/GV_{DD}/BV_{DD}/SV_{DD}/XV_{DD}/LV_{DD}$ all $V_{DD}$ supplies, $MV_{REF}$ and all $AV_{DD}$ supplies.)	—	36000	V/s	1, 2

**Note:**

- Ramp rate is specified as a linear ramp from 10 to 90%. If non-linear (For example exponential), the maximum rate of change from 200 to 500 mV is the most critical as this range might falsely trigger the ESD circuitry.
- Over full recommended operating temperature range (see [Table 3](#)).

## 2.9 DDR3 and DDR3L SDRAM Controller

This section describes the DC and AC electrical specifications for the DDR3 and DDR3L SDRAM controller interface. Note that the required  $GV_{DD}(\text{typ})$  voltage is 1.5 V when interfacing to DDR3 SDRAM and  $GV_{DD}(\text{typ})$  voltage is 1.35 V when interfacing to DDR3L SDRAM.

### 2.9.1 DDR3 and DDR3L SDRAM Interface DC Electrical Characteristics

This table provides the recommended operating conditions for the DDR SDRAM controller when interfacing to DDR3 SDRAM.

**Table 20. DDR3 SDRAM Interface DC Electrical Characteristics ( $GV_{DD} = 1.5 \text{ V}$ )**

For recommended operating conditions, see [Table 3](#).

Parameter	Symbol	Min	Max	Unit	Note
I/O reference voltage	$MV_{REFn}$	$0.49 \times GV_{DD}$	$0.51 \times GV_{DD}$	V	1, 2, 3, 4
Input high voltage	$V_{IH}$	$MV_{REFn} + 0.100$	$GV_{DD}$	V	5
Input low voltage	$V_{IL}$	GND	$MV_{REFn} - 0.100$	V	5
I/O leakage current	$I_{OZ}$	-50	50	$\mu\text{A}$	6

**Note:**

- $GV_{DD}$  is expected to be within 50 mV of the DRAM's voltage supply at all times. The DRAM's and memory controller's voltage supply may or may not be from the same source.
- $MV_{REFn}$  is expected to be equal to  $0.5 \times GV_{DD}$  and to track  $GV_{DD}$  DC variations as measured at the receiver. Peak-to-peak noise on  $MV_{REFn}$  may not exceed the  $MV_{REFn}$  DC level by more than  $\pm 1\%$  of the DC value (that is,  $\pm 15\text{mV}$ ).
- $V_{TT}$  is not applied directly to the device. It is the supply to which far end signal termination is made, and it is expected to be equal to  $MV_{REFn}$  with a min value of  $MV_{REFn} - 0.04$  and a max value of  $MV_{REFn} + 0.04$ .  $V_{TT}$  should track variations in the DC level of  $MV_{REFn}$ .
- The voltage regulator for  $MV_{REFn}$  must meet the specifications stated in [Table 23](#).
- Input capacitance load for  $DQ$ ,  $DQS$ , and  $\overline{DQS}$  are available in the IBIS models.
- Output leakage is measured with all outputs disabled,  $0 \text{ V} \leq V_{OUT} \leq GV_{DD}$ .

This table provides the recommended operating conditions for the DDR SDRAM controller when interfacing to DDR3L SDRAM.

**Table 21. DDR3L SDRAM Interface DC Electrical Characteristics ( $GV_{DD} = 1.35\text{ V}$ )**

For recommended operating conditions, see [Table 3](#).

Parameter	Symbol	Min	Max	Unit	Note
I/O reference voltage	$MV_{REFn}$	$0.49 \times GV_{DD}$	$0.51 \times GV_{DD}$	V	1, 2, 3, 4
Input high voltage	$V_{IH}$	$MV_{REFn} + 0.090$	$GV_{DD}$	V	5
Input low voltage	$V_{IL}$	GND	$MV_{REFn} - 0.090$	V	5
I/O leakage current	$I_{OZ}$	-50	50	$\mu\text{A}$	6
Output high current ( $V_{OUT} = 0.641\text{ V}$ )	$I_{OH}$	—	-23.8	mA	7, 8
Output low current ( $V_{OUT} = 0.641\text{ V}$ )	$I_{OL}$	23.8	—	mA	7, 8

**Note:**

- $GV_{DD}$  is expected to be within 50 mV of the DRAM's voltage supply at all times. The DRAM's and memory controller's voltage supply may or may not be from the same source.
- $MV_{REFn}$  is expected to be equal to  $0.5 \times GV_{DD}$  and to track  $GV_{DD}$  DC variations as measured at the receiver. Peak-to-peak noise on  $MV_{REFn}$  may not exceed the  $MV_{REFn}$  DC level by more than  $\pm 1\%$  of the DC value (that is,  $\pm 13.5\text{ mV}$ ).
- $V_{TT}$  is not applied directly to the device. It is the supply to which far end signal termination is made, and it is expected to be equal to  $MV_{REFn}$  with a min value of  $MV_{REFn} - 0.04$  and a max value of  $MV_{REFn} + 0.04$ .  $V_{TT}$  should track variations in the DC level of  $MV_{REFn}$ .
- The voltage regulator for  $MV_{REFn}$  must meet the specifications stated in [Table 23](#).
- Input capacitance load for DQ, DQS, and  $\overline{DQS}$  are available in the IBIS models.
- Output leakage is measured with all outputs disabled,  $0\text{ V} \leq V_{OUT} \leq GV_{DD}$ .
- Refer to the IBIS model for the complete output IV curve characteristics.
- $I_{OH}$  and  $I_{OL}$  are measured at  $GV_{DD} = 1.283\text{ V}$

This table provides the DDR controller interface capacitance for DDR3 and DDR3L.

**Table 22. DDR3 and DDR3L SDRAM Capacitance**

For recommended operating conditions, see [Table 3](#).

Parameter	Symbol	Min	Max	Unit	Note
Input/output capacitance: DQ, DQS, $\overline{DQS}$	$C_{IO}$	6	8	pF	1, 2
Delta input/output capacitance: DQ, DQS, $\overline{DQS}$	$C_{DIO}$	—	0.5	pF	1, 2

**Note:**

- This parameter is sampled.  $GV_{DD} = 1.5\text{ V} \pm 0.075\text{ V}$  (for DDR3),  $f = 1\text{ MHz}$ ,  $T_A = 25\text{ }^\circ\text{C}$ ,  $V_{OUT} = GV_{DD} \div 2$ ,  $V_{OUT}$  (peak-to-peak) = 0.150 V.
- This parameter is sampled.  $GV_{DD} = 1.35\text{ V} - 0.067\text{ V} \div + 0.100\text{ V}$  (for DDR3L),  $f = 1\text{ MHz}$ ,  $T_A = 25\text{ }^\circ\text{C}$ ,  $V_{OUT} = GV_{DD} \div 2$ ,  $V_{OUT}$  (peak-to-peak) = 0.167 V.

This table provides the current draw characteristics for  $MV_{REFn}$ .

**Table 23. Current Draw Characteristics for  $MV_{REFn}$**

For recommended operating conditions, see [Table 3](#).

Parameter	Symbol	Min	Max	Unit	Note
Current draw for DDR3 SDRAM for $MV_{REFn}$	$MV_{REFn}$	—	500	$\mu\text{A}$	—

## Electrical Characteristics

**Table 23. Current Draw Characteristics for MVREF<sub>n</sub> (continued)**

For recommended operating conditions, see [Table 3](#).

Parameter	Symbol	Min	Max	Unit	Note
Current draw for DDR3L SDRAM for MVREF <sub>n</sub>	MVREF <sub>n</sub>	—	500	μA	—

## 2.9.2 DDR3 and DDR3L SDRAM Interface AC Timing Specifications

This section provides the AC timing specifications for the DDR SDRAM controller interface. The DDR controller supports DDR3 and DDR3L memories. Note that the required  $G_{V_{DD}}(\text{typ})$  voltage is 1.5 V when interfacing to DDR3 SDRAM and the required  $G_{V_{DD}}(\text{typ})$  voltage is 1.35 V when interfacing to DDR3L SDRAM.

### 2.9.2.1 DDR3 and DDR3L SDRAM Interface Input AC Timing Specifications

This table provides the input AC timing specifications for the DDR controller when interfacing to DDR3 SDRAM.

**Table 24. DDR3 SDRAM Interface Input AC Timing Specifications**

For recommended operating conditions, see [Table 3](#).

Parameter	Symbol	Min	Max	Unit	Note	
AC input low voltage	> 1200 MT/s data rate	$V_{ILAC}$	—	$MVREF_n - 0.150$	V	—
	≤ 1200 MT/s data rate		—	$MVREF_n - 0.175$		
AC input high voltage	> 1200 MT/s data rate	$V_{IHAC}$	$MVREF_n + 0.150$	—	V	—
	≤ 1200 MT/s data rate		$MVREF_n + 0.175$	—		

This table provides the input AC timing specifications for the DDR controller when interfacing to DDR3L SDRAM.

**Table 25. DDR3L SDRAM Interface Input AC Timing Specifications**

For recommended operating conditions, see [Table 3](#).

Parameter	Symbol	Min	Max	Unit	Note	
AC input low voltage	> 1200 MT/s data rate	$V_{ILAC}$	—	$MVREF_n - 0.135$	V	—
	≤ 1200 MT/s data rate		—	$MVREF_n - 0.160$		
AC input high voltage	> 1200 MT/s data rate	$V_{IHAC}$	$MVREF_n + 0.135$	—	V	—
	≤ 1200 MT/s data rate		$MVREF_n + 0.160$	—		

This table provides the input AC timing specifications for the DDR controller when interfacing to DDR3 SDRAM.

**Table 26. DDR3 and DDR3L SDRAM Interface Input AC Timing Specifications**

For recommended operating conditions, see [Table 3](#).

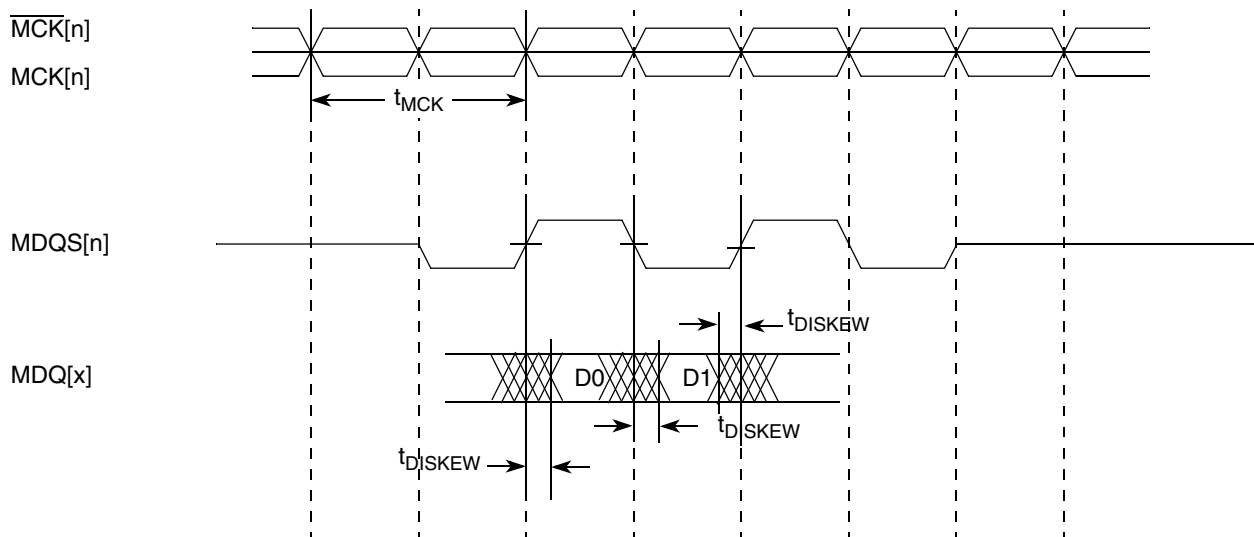
Parameter	Symbol	Min	Max	Unit	Note
Controller Skew for MDQS—MDQ/MECC	$t_{CISKEW}$			ps	1
1333 MT/s data rate		–125	125		
1200 MT/s data rate		–142	142		
1066 MT/s data rate		–170	170		
800 MT/s data rate		–200	200		

**Table 26. DDR3 and DDR3L SDRAM Interface Input AC Timing Specifications (continued)**For recommended operating conditions, see [Table 3](#).

Parameter	Symbol	Min	Max	Unit	Note
Tolerated Skew for MDQS—MDQ/MECC	$t_{DISKEW}$			ps	2
1333 MT/s data rate		-250	250		
1200 MT/s data rate		-275	275		
1066 MT/s data rate		-300	300		
800 MT/s data rate		-425	425		

**Note:**

- $t_{CISKEW}$  represents the total amount of skew consumed by the controller between MDQS[n] and any corresponding bit that is captured with MDQS[n]. This must be subtracted from the total timing budget.
- The amount of skew that can be tolerated from MDQS to a corresponding MDQ signal is called  $t_{DISKEW}$ . This can be determined by the following equation:  $t_{DISKEW} = \pm(T \div 4 - \text{abs}(t_{CISKEW}))$  where T is the clock period and  $\text{abs}(t_{CISKEW})$  is the absolute value of  $t_{CISKEW}$ .

**Figure 9. DDR3 and DDR3L SDRAM Interface Input Timing Diagram****2.9.2.2 DDR3 and DDR3L SDRAM Interface Output AC Timing Specifications**

This table provides the DDR3/DDR3L SDRAM output AC timing specifications.

**Table 27. DDR3 and DDR3L SDRAM Interface Output AC Timing Specifications**For recommended operating conditions, see [Table 3](#).

Parameter	Symbol <sup>1</sup>	Min	Max	Unit	Note
MCK[n] cycle time	$t_{MCK}$	1.5	2.5	ns	2

## Electrical Characteristics

**Table 27. DDR3 and DDR3L SDRAM Interface Output AC Timing Specifications (continued)**

For recommended operating conditions, see [Table 3](#).

Parameter	Symbol <sup>1</sup>	Min	Max	Unit	Note
ADDR/CMD output setup with respect to MCK 1333 MT/s data rate 1200 MT/s data rate 1066 MT/s data rate 800 MT/s data rate	$t_{DDKHAS}$	0.606 0.675 0.744 0.917	— — — —	ns	3
ADDR/CMD output hold with respect to MCK 1333 MT/s data rate 1200 MT/s data rate 1066 MT/s data rate 800 MT/s data rate	$t_{DDKHAX}$	0.606 0.675 0.744 0.917	— — — —	ns	3
$\overline{MCS}[n]$ output setup with respect to MCK 1333 MT/s data rate 1200 MT/s data rate 1066 MT/s data rate 800 MT/s data rate	$t_{DDKHCS}$	0.606 0.675 0.744 0.917	— — — —	ns	3
$\overline{MCS}[n]$ output hold with respect to MCK 1333 MT/s data rate 1200 MT/s data rate 1066 MT/s data rate 800 MT/s data rate	$t_{DDKHGX}$	0.606 0.675 0.744 0.917	— — — —	ns	3
MCK to MDQS Skew $\geq 1066$ MT/s data rate 800 MT/s data rate	$t_{DDKMHM}$	–0.245 –0.375	0.245 0.375	ns	4 4, 6 4
MDQ/MECC/MDM output setup with respect to MDQS 1333 MT/s data rate 1200 MT/s data rate 1066 MT/s data rate 800 MT/s data rate	$t_{DDKHDS}$ , $t_{DDKLDS}$	250 275 300 375	— — — —	ps	5
MDQ/MECC/MDM output hold with respect to MDQS 1333 MT/s data rate 1200 MT/s data rate 1066 MT/s data rate 800 MT/s data rate	$t_{DDKHDX}$ , $t_{DDKLDX}$	250 275 300 375	— — — —	ps	5



**Table 27. DDR3 and DDR3L SDRAM Interface Output AC Timing Specifications (continued)**For recommended operating conditions, see [Table 3](#).

Parameter	Symbol <sup>1</sup>	Min	Max	Unit	Note
MDQS preamble	$t_{DDKHMP}$	$0.9 \times t_{MCK}$	—	ns	—
MDQS postamble	$t_{DDKHME}$	$0.4 \times t_{MCK}$	$0.6 \times t_{MCK}$	ns	—

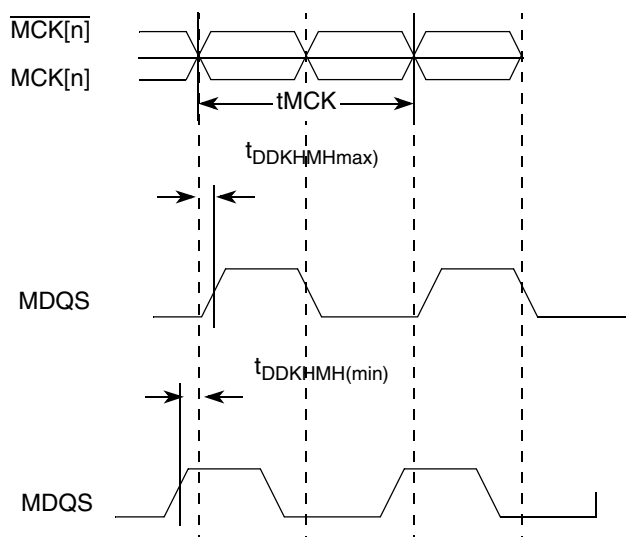
**Note:**

- The symbols used for timing specifications follow the pattern of  $t_{(\text{first two letters of functional block})(\text{signal})(\text{state}) (\text{reference})(\text{state})}$  for inputs and  $t_{(\text{first two letters of functional block})(\text{reference})(\text{state})(\text{signal})(\text{state})}$  for outputs. Output hold time can be read as DDR timing (DD) from the rising or falling edge of the reference clock (KH or KL) until the output went invalid (AX or DX). For example,  $t_{DDKHAS}$  symbolizes DDR timing (DD) for the time  $t_{MCK}$  memory clock reference (K) goes from the high (H) state until outputs (A) are setup (S) or output valid time. Also,  $t_{DDKLDX}$  symbolizes DDR timing (DD) for the time  $t_{MCK}$  memory clock reference (K) goes low (L) until data outputs (D) are invalid (X) or data output hold time.
- All  $\overline{MCK}/MCK$  and  $\overline{MDQS}/MDQS$  referenced measurements are made from the crossing of the two signals.
- ADDR/CMD includes all DDR SDRAM output signals except  $\overline{MCK}/MCK$ ,  $\overline{MCS}$ , and  $\overline{MDQ}/\overline{MECC}/\overline{MDM}/\overline{MDQS}$ .
- Note that  $t_{DDKHMH}$  follows the symbol conventions described in note 1. For example,  $t_{DDKHMH}$  describes the DDR timing (DD) from the rising edge of the  $MCK[n]$  clock (KH) until the MDQS signal is valid (MH).  $t_{DDKHMH}$  can be modified through control of the MDQS override bits (called  $WR\_DATA\_DELAY$ ) in the  $TIMING\_CFG\_2$  register. This is typically set to the same delay as in  $DDR\_SDRAM\_CLK\_CNTL[CLK\_ADJUST]$ . The timing parameters listed in the table assume that these two parameters have been set to the same adjustment value. See the chip reference manual for a description and explanation of the timing modifications enabled by use of these bits.
- Determined by maximum possible skew between a data strobe (MDQS) and any corresponding bit of data (MDQ), ECC (MECC), or data mask (MDM). The data strobe must be centered inside of the data eye at the pins of the microprocessor.
- Note that for 1200/1333 frequencies it is required to program the start value of the DQS adjust for write leveling.

**NOTE**

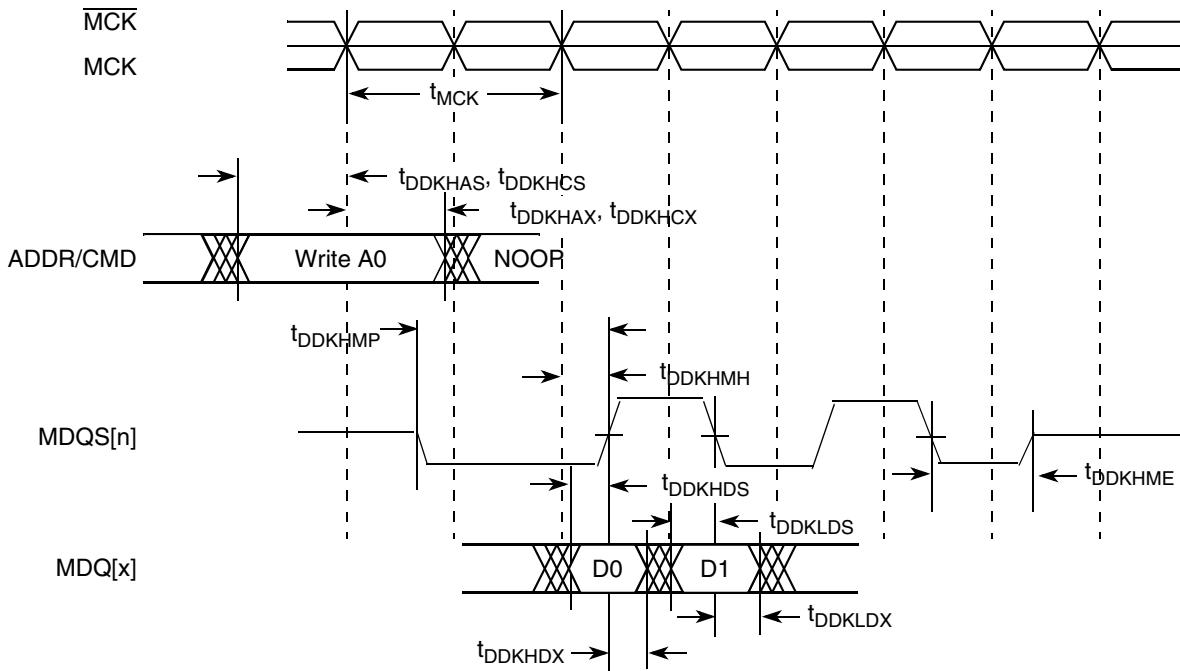
For the ADDR/CMD setup and hold specifications in [Table 27](#), it is assumed that the clock control register is set to adjust the memory clocks by  $\frac{1}{2}$  applied cycle.

This figure shows the DDR3 and DDR3L SDRAM interface output timing for the MCK to MDQS skew measurement ( $t_{DDKHMH}$ ).

**Figure 10.  $t_{DDKHMH}$  Timing Diagram**

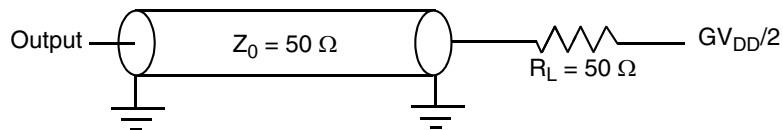
## Electrical Characteristics

This figure shows the DDR3 and DDR3L SDRAM output timing diagram.



**Figure 11. DDR3 and DDR3L Output Timing Diagram**

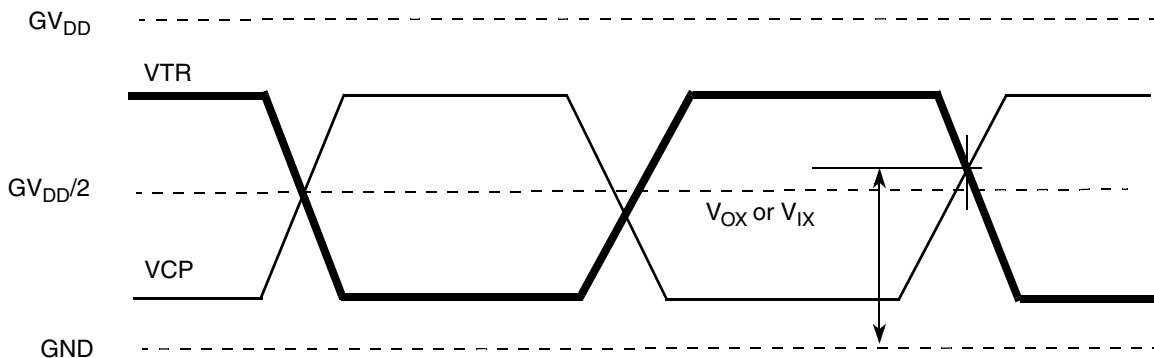
This figure provides the AC test load for the DDR3 and DDR3L controller bus.



**Figure 12. DDR3 and DDR3L Controller Bus AC Test Load**

### 2.9.2.3 DDR3 and DDR3L SDRAM Differential Timing Specifications

This section describes the DC and AC differential timing specifications for the DDR3 and DDR3L SDRAM controller interface. This figure shows the differential timing specification.



**Figure 13. DDR3 and DDR3L SDRAM Differential Timing Specifications**

**NOTE**

VTR specifies the true input signal (such as  $\overline{\text{MCK}}$  or  $\overline{\text{MDQS}}$ ) and VCP is the complementary input signal (such as  $\overline{\text{MCK}}$  or  $\overline{\text{MDQS}}$ ).

This table provides the DDR3 differential specifications for the differential signals  $\overline{\text{MDQS}}/\overline{\text{MDQS}}$  and  $\overline{\text{MCK}}/\overline{\text{MCK}}$ .

**Table 28. DDR3 SDRAM Differential Electrical Characteristics<sup>1</sup>**

Parameter	Symbol	Min	Max	Unit	Note
Input AC Differential Cross-Point Voltage	$V_{IXAC}$	$0.5 \times GV_{DD} - 0.150$	$0.5 \times GV_{DD} + 0.150$	V	—
Output AC Differential Cross-Point Voltage	$V_{OXAC}$	$0.5 \times GV_{DD} - 0.115$	$0.5 \times GV_{DD} + 0.115$	V	—

**Note:**

1. I/O drivers are calibrated before making measurements.

This table provides the DDR3L differential specifications for the differential signals  $\overline{\text{MDQS}}/\overline{\text{MDQS}}$  and  $\overline{\text{MCK}}/\overline{\text{MCK}}$ .

**Table 29. DDR3L SDRAM Differential Electrical Characteristics<sup>1</sup>**

Parameter	Symbol	Min	Max	Unit	Note
Input AC differential cross-point voltage	$V_{IXAC}$	$0.5 \times GV_{DD} - 0.135$	$0.5 \times GV_{DD} + 0.135$	V	—
Output AC differential cross-point voltage	$V_{OXAC}$	$0.5 \times GV_{DD} - 0.105$	$0.5 \times GV_{DD} + 0.105$	V	—

**Note:**

1. I/O drivers are calibrated before making measurements.

## 2.10 eSPI

This section describes the DC and AC electrical specifications for the eSPI interface.

### 2.10.1 eSPI DC Electrical Characteristics

This table provides the DC electrical characteristics for the eSPI interface operating at  $CV_{DD} = 3.3$  V.

**Table 30. eSPI DC Electrical Characteristics ( $CV_{DD} = 3.3$  V)**

For recommended operating conditions, see [Table 3](#).

Parameter	Symbol	Min	Max	Unit	Note
Input high voltage	$V_{IH}$	2.0	—	V	1
Input low voltage	$V_{IL}$	—	0.8	V	1
Input current ( $V_{IN} = 0$ V or $V_{IN} = CV_{DD}$ )	$I_{IN}$	—	$\pm 40$	$\mu\text{A}$	2
Output high voltage ( $CV_{DD} = \text{min}$ , $I_{OH} = -2$ mA)	$V_{OH}$	2.4	—	V	—
Output low voltage ( $CV_{DD} = \text{min}$ , $I_{OL} = 2$ mA)	$V_{OL}$	—	0.4	V	—

**Note:**

1. The min  $V_{IL}$  and max  $V_{IH}$  values are based on the respective min and max  $CV_{IN}$  values found in [Table 3](#).
2. The symbol  $V_{IN}$ , in this case, represents the  $CV_{IN}$  symbol referenced in [Section 2.1.2, "Recommended Operating Conditions."](#)

## Electrical Characteristics

This table provides the DC electrical characteristics for the eSPI interface operating at  $CV_{DD} = 2.5\text{ V}$ .

**Table 31. eSPI DC Electrical Characteristics ( $CV_{DD} = 2.5\text{ V}$ )**

For recommended operating conditions, see [Table 3](#).

Parameter	Symbol	Min	Max	Unit	Note
Input high voltage	$V_{IH}$	1.7	—	V	1
Input low voltage	$V_{IL}$	—	0.7	V	1
Input current ( $V_{IN} = 0\text{ V}$ or $V_{IN} = CV_{DD}$ )	$I_{IN}$	—	$\pm 40$	$\mu\text{A}$	2
Output high voltage ( $CV_{DD} = \text{min}$ , $I_{OH} = -1\text{ mA}$ )	$V_{OH}$	2.0	—	V	—
Output low voltage ( $CV_{DD} = \text{min}$ , $I_{OL} = 1\text{ mA}$ )	$V_{OL}$	—	0.4	V	—

**Note:**

1. The min  $V_{IL}$  and max  $V_{IH}$  values are based on the respective min and max  $CV_{IN}$  values found in [Table 3](#).
2. The symbol  $V_{IN}$ , in this case, represents the  $CV_{IN}$  symbol referenced in [Section 2.1.2, “Recommended Operating Conditions.”](#)

This table provides the DC electrical characteristics for the eSPI interface operating at  $CV_{DD} = 1.8\text{ V}$ .

**Table 32. eSPI DC Electrical Characteristics ( $CV_{DD} = 1.8\text{ V}$ )**

For recommended operating conditions, see [Table 3](#).

Parameter	Symbol	Min	Max	Unit	Note
Input high voltage	$V_{IH}$	1.25	—	V	1
Input low voltage	$V_{IL}$	—	0.6	V	1
Input current ( $V_{IN} = 0\text{ V}$ or $V_{IN} = CV_{DD}$ )	$I_{IN}$	—	$\pm 40$	$\mu\text{A}$	2
Output high voltage ( $CV_{DD} = \text{min}$ , $I_{OH} = -0.5\text{ mA}$ )	$V_{OH}$	1.35	—	V	—
Output low voltage ( $CV_{DD} = \text{min}$ , $I_{OL} = 0.5\text{ mA}$ )	$V_{OL}$	—	0.4	V	—

**Note:**

1. The min  $V_{IL}$  and max  $V_{IH}$  values are based on the respective min and max  $CV_{IN}$  values found in [Table 3](#).
2. The symbol  $V_{IN}$ , in this case, represents the  $CV_{IN}$  symbol referenced in [Section 2.1.2, “Recommended Operating Conditions.”](#)

## 2.10.2 eSPI AC Timing Specifications

This table provides the eSPI input and output AC timing specifications.

**Table 33. eSPI AC Timing Specifications**

For recommended operating conditions, see [Table 3](#).

Parameter	Symbol <sup>1</sup>	Min	Max	Unit	Note
SPI_MOSI output—Master data (internal clock) hold time	$t_{NIKHOX}$	$2 + (t_{PLATFORM\_CLK} * SPMO\_DE[HO\_ADJ])$	— —	ns	2, 3
SPI_MOSI output—Master data (internal clock) delay	$t_{NIKHOV}$ $t_{NIKHOV}$	—	$5.68 + (t_{PLATFORM\_CLK} * SPMODE[HO\_ADJ])$	ns	2, 3
SPI_CS outputs—Master data (internal clock) hold time	$t_{NIKHOX2}$	0	—	ns	2

**Table 33. eSPI AC Timing Specifications (continued)**

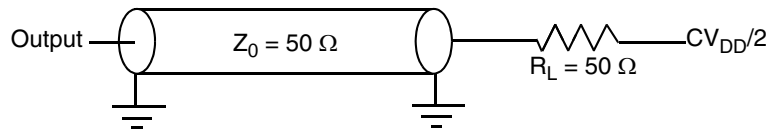
For recommended operating conditions, see [Table 3](#).

Parameter	Symbol <sup>1</sup>	Min	Max	Unit	Note
SPI_CS outputs—Master data (internal clock) delay	$t_{\text{NIKHOV}2}$	—	6.0	ns	2
eSPI inputs—Master data (internal clock) input setup time	$t_{\text{NIIVKH}}$	7	—	ns	—
eSPI inputs—Master data (internal clock) input hold time	$t_{\text{NIIKXK}}$	0	—	ns	—

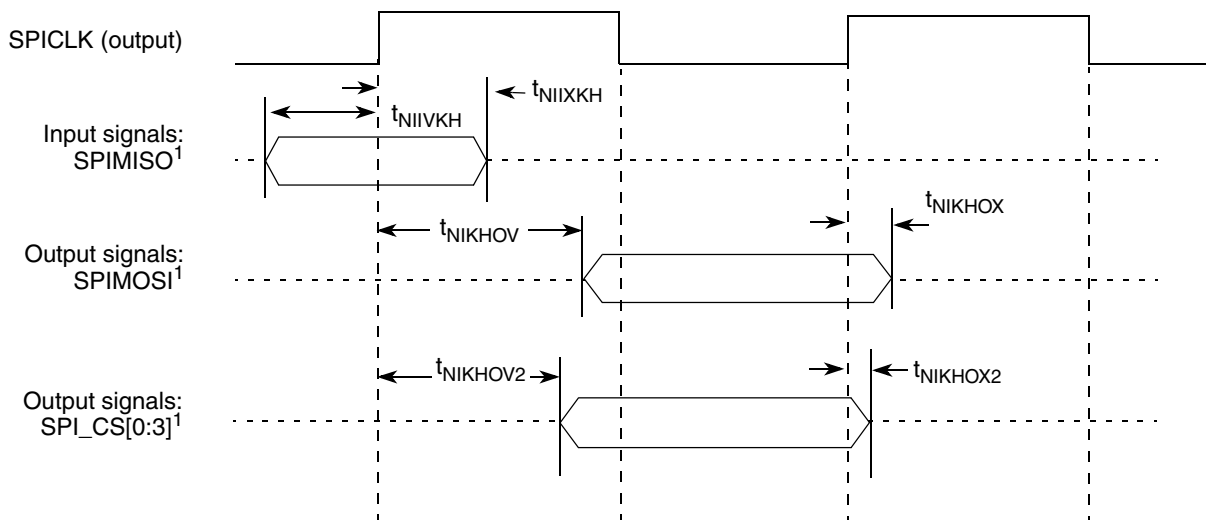
**Note:**

- The symbols used for timing specifications follow the pattern of  $t_{\text{(first two letters of functional block)(signal)(state) (reference)(state)}}$  for inputs and  $t_{\text{(first two letters of functional block)(reference)(state)(signal)(state)}}$  for outputs. For example,  $t_{\text{NIKHOV}}$  symbolizes the NMSI outputs internal timing (NI) for the time  $t_{\text{SPI}}$  memory clock reference (K) goes from the high state (H) until outputs (O) are valid (V).
- Output specifications are measured from the 50% level of the rising edge of CLKIN to the 50% level of the signal. Timings are measured at the pin.
- The greater of the two output timings for  $t_{\text{NIKHOX}}$  and  $t_{\text{NIKHOV}}$  are used when SPCOM[RxDelay] of the eSPI command register is set. For example, the  $t_{\text{NIKHOX}}$  is 4.0 and  $t_{\text{NIKHOV}}$  is 7.0 if SPCOM[RxDelay] is set to be 1.

This figure provides the AC test load for the eSPI.

**Figure 14. eSPI AC Test Load**

This figure represents the AC timing from [Table 33](#) in master mode (internal clock). Note that although timing specifications generally refer to the rising edge of the clock, this figure also applies when the falling edge is the active edge. Also, note that the clock edge is selectable on eSPI.

**Figure 15. eSPI AC Timing in Master Mode (Internal Clock) Diagram**

## 2.11 DUART

This section describes the DC and AC electrical specifications for the DUART interface.

## Electrical Characteristics

### 2.11.1 DUART DC Electrical Characteristics

This table provides the DC electrical characteristics for the DUART interface.

**Table 34. DUART DC Electrical Characteristics ( $OV_{DD} = 3.3\text{ V}$ )**

For recommended operating conditions, see [Table 3](#).

Parameter	Symbol	Min	Max	Unit	Note
Input high voltage	$V_{IH}$	2	—	V	1
Input low voltage	$V_{IL}$	—	0.8	V	1
Input current ( $OV_{IN} = 0\text{ V}$ or $OV_{IN} = OV_{DD}$ )	$I_{IN}$	—	$\pm 40$	$\mu\text{A}$	2
Output high voltage ( $OV_{DD} = \text{min}$ , $I_{OH} = -2\text{ mA}$ )	$V_{OH}$	2.4	—	V	—
Output low voltage ( $OV_{DD} = \text{min}$ , $I_{OL} = 2\text{ mA}$ )	$V_{OL}$	—	0.4	V	—

**Note:**

1. The symbol  $OV_{IN}$ , in this case, represents the  $OV_{IN}$  symbol referenced in [Table 3](#).
2. The symbol  $OV_{IN}$ , in this case, represents the  $OV_{IN}$  symbol referenced in [Section 2.1.2, “Recommended Operating Conditions.”](#)

### 2.11.2 DUART AC Electrical Specifications

This table provides the AC timing parameters for the DUART interface.

**Table 35. DUART AC Timing Specifications**

For recommended operating conditions, see [Table 3](#).

Parameter	Value	Unit	Note
Minimum baud rate	$f_{PLAT}/(2 \times 1,048,576)$	baud	1
Maximum baud rate	$f_{PLAT}/(2 \times 16)$	baud	1, 2
Oversample rate	16	—	3

**Note:**

1.  $f_{PLAT}$  refers to the internal platform clock.
2. The actual attainable baud rate is limited by the latency of interrupt processing.
3. The middle of a start bit is detected as the eighth sampled 0 after the 1-to-0 transition of the start bit. Subsequent bit values are sampled every 16<sup>th</sup> sample.

## 2.12 Ethernet: Data path Three-Speed Ethernet (dTSEC), Management Interface, IEEE Std 1588

This section provides the AC and DC electrical characteristics for the data path three-speed Ethernet controller, the Ethernet Management Interface, and the IEEE Std 1588 interface.

### 2.12.1 SGMII Timing Specifications

See [Section 2.20.9, “SGMII Interface.”](#)

### 2.12.2 RGMII Timing Specifications

This section discusses the electrical characteristics for the MII and RGMII interfaces.

### 2.12.2.1 RGMII DC Electrical Characteristics

This table shows the RGMII DC electrical characteristics when operating at  $LV_{DD} = 2.5$  V supply.

**Table 36. RGMII DC Electrical Characteristics ( $LV_{DD} = 2.5$  V)**

For recommended operating conditions, see [Table 3](#).

Parameter	Symbol	Min	Max	Unit	Note
Input high voltage	$V_{IH}$	1.70	—	V	1
Input low voltage	$V_{IL}$	—	0.70	V	1
Input current ( $LV_{IN} = 0$ V or $LV_{IN} = LV_{DD}$ )	$I_{IH}$	—	$\pm 40$	$\mu$ A	2
Output high voltage ( $LV_{DD} = \text{min}$ , $I_{OH} = -1.0$ mA)	$V_{OH}$	2.00	—	V	—
Output low voltage ( $LV_{DD} = \text{min}$ , $I_{OL} = 1.0$ mA)	$V_{OL}$	—	0.40	V	—

**Note:**

1. The min  $V_{IL}$  and max  $V_{IH}$  values are based on the respective min and max  $LV_{IN}$  values found in [Table 3](#).
2. The symbol  $V_{IN}$ , in this case, represents the  $LV_{IN}$  symbols referenced in [Table 2](#) and [Table 3](#).

### 2.12.2.2 RGMII AC Timing Specifications

This table shows the RGMII AC timing specifications.

**Table 37. RGMII AC Timing Specifications**

For recommended operating conditions, see [Table 3](#).

Parameter/Condition	Symbol <sup>1</sup>	Min	Typ	Max	Unit	Note
Data to clock output skew (at transmitter)	$t_{SKRGT\_TX}$	-500	0	500	ps	5
Data to clock input skew (at receiver)	$t_{SKRGT\_RX}$	1.0	—	2.8	ns	2
Clock period duration	$t_{RGT}$	7.2	8.0	8.8	ns	3
Duty cycle for 10BASE-T and 100BASE-TX	$t_{RGTH}/t_{RGT}$	40	50	60	%	3, 4
Duty cycle for Gigabit	$t_{RGTH}/t_{RGT}$	45	50	55	%	—
Rise time (20%–80%)	$t_{RGTR}$	—	—	0.75	ns	—
Fall time (20%–80%)	$t_{RGTF}$	—	—	0.75	ns	—

**Note:**

1. In general, the clock reference symbol representation for this section is based on the symbols RGT to represent RGMII timing. Note that the notation for rise (R) and fall (F) times follows the clock symbol that is being represented. For symbols representing skews, the subscript is skew (SK) followed by the clock that is being skewed (RGT).
2. This implies that PC board design requires clocks to be routed such that an additional trace delay of greater than 1.5 ns is added to the associated clock signal. Many PHY vendors already incorporate the necessary delay inside their chip. If so, additional PCB delay is probably not needed.
3. For 10 and 100 Mbps,  $t_{RGT}$  scales to  $400$  ns  $\pm$  40 ns and  $40$  ns  $\pm$  4 ns, respectively.
4. Duty cycle may be stretched/shrunk during speed changes or while transitioning to a received packet's clock domains as long as the minimum duty cycle is not violated and stretching occurs for no more than three  $t_{RGT}$  of the lowest speed transitioned between.
5. The frequency of RX\_CLK should not exceed the frequency of GTX\_CLK125 by more than 300ppm.

## Electrical Characteristics

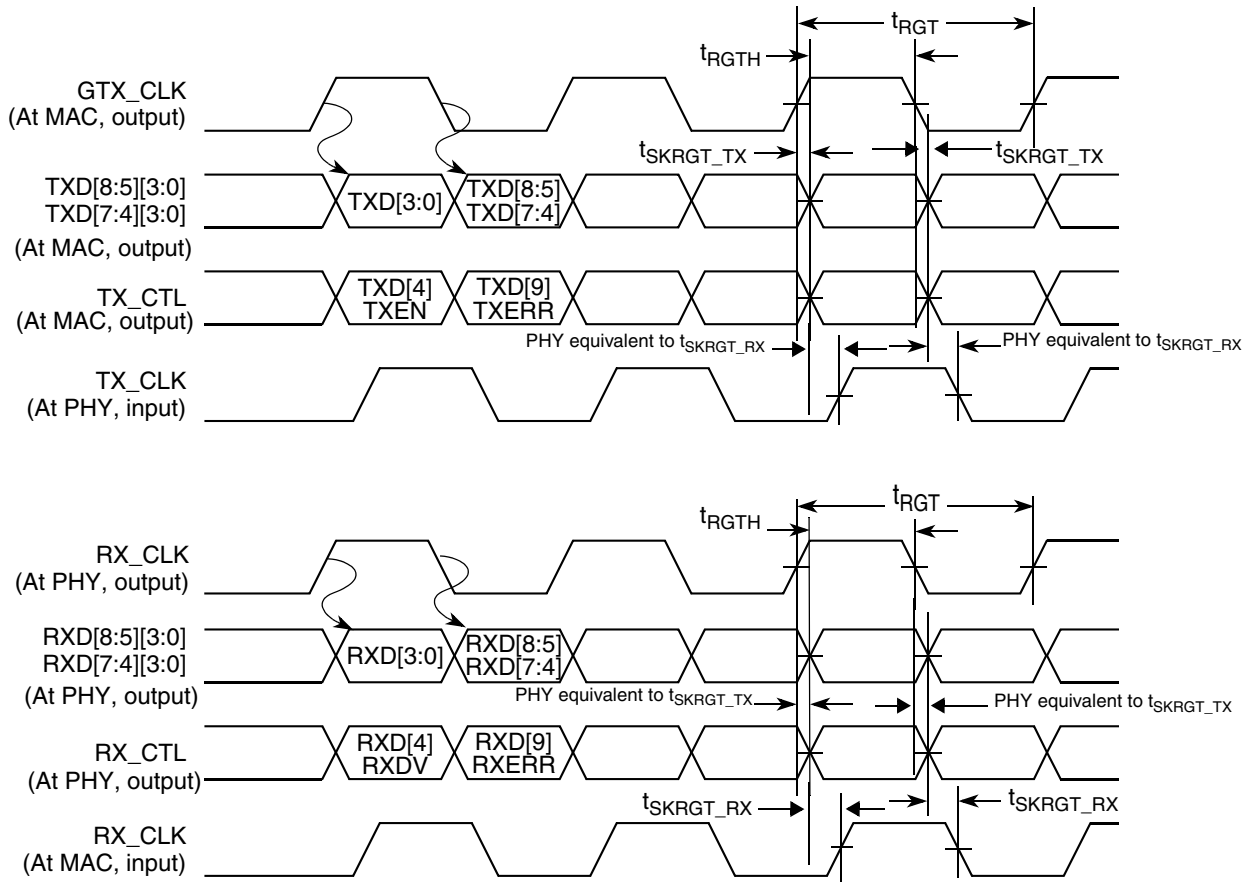


Figure 16. RGMII AC Timing and Multiplexing Diagrams

## 2.12.3 Ethernet Management Interface

This section discusses the electrical characteristics for the EMI1 and EMI2 interfaces. EMI1 is the PHY management interface controlled by the MDIO controller associated with Frame Manager 1 1GMAC-1. EMI2 is the XAUI PHY management interface controlled by the MDIO controller associated with Frame Manager 1 10GMAC-0.

### 2.12.3.1 Ethernet Management Interface DC Electrical Characteristics

The Ethernet management interface is defined to operate at a supply voltage of 3.3 V. The DC electrical characteristics for the Ethernet management interface is provided in this table.

Table 38. Ethernet Management Interface 1 DC Electrical Characteristics ( $V_{DD} = 3.3\text{ V}$ )

For recommended operating conditions, see Table 3.

Parameter	Symbol	Min	Max	Unit	Note
Input high voltage	$V_{IH}$	2.0	—	V	2
Input low voltage	$V_{IL}$	—	0.9	V	2
Input high current ( $V_{DD} = \text{Max}$ , $V_{IN} = 2.1\text{ V}$ )	$I_{IH}$	—	40	$\mu\text{A}$	1
Input low current ( $V_{DD} = \text{Max}$ , $V_{IN} = 0.5\text{ V}$ )	$I_{IL}$	-600	—	$\mu\text{A}$	1
Output high voltage ( $V_{DD} = \text{Min}$ , $I_{OH} = -1.0\text{ mA}$ )	$V_{OH}$	2.4	—	V	—



**Table 38. Ethernet Management Interface 1 DC Electrical Characteristics (LV<sub>DD</sub> = 3.3 V) (continued)**For recommended operating conditions, see [Table 3](#).

Parameter	Symbol	Min	Max	Unit	Note
Output low voltage (LV <sub>DD</sub> = Min, I <sub>OL</sub> = 1.0 mA)	V <sub>OL</sub>	—	0.4	V	—

**Note:**

1. The symbol V<sub>IN</sub>, in this case, represents the LV<sub>IN</sub> symbol referenced in [Table 2](#) and [Table 3](#).
2. The min V<sub>IL</sub> and max V<sub>IH</sub> values are based on the respective LV<sub>IN</sub> values found in [Table 3](#).

The Ethernet management interface is defined to operate at a supply voltage of 2.5 V. The DC electrical characteristics for the Ethernet management interface is provided in this table.

**Table 39. Ethernet Management Interface 1 DC Electrical Characteristics (LV<sub>DD</sub> = 2.5 V)**For recommended operating conditions, see [Table 3](#).

Parameter	Symbol	Min	Max	Unit	Note
Input high voltage	V <sub>IH</sub>	1.7	—	V	1
Input low voltage	V <sub>IL</sub>	—	0.7	V	1
Input current (LV <sub>IN</sub> = 0 V or LV <sub>IN</sub> = LV <sub>DD</sub> )	I <sub>IH</sub>	—	±40	μA	2
Output high voltage (LV <sub>DD</sub> = Min, I <sub>OH</sub> = -1.0 mA)	V <sub>OH</sub>	2.0	—	V	—
Output low voltage (LV <sub>DD</sub> = Min, I <sub>OL</sub> = 1.0 mA)	V <sub>OL</sub>	—	0.4	V	—

**Note:**

1. The min V<sub>IL</sub> and max V<sub>IH</sub> values are based on the respective min and max LV<sub>IN</sub> values found in [Table 3](#).
2. The symbol LV<sub>IN</sub>, in this case, represents the LV<sub>IN</sub> symbol referenced in [Section 2.1.2, “Recommended Operating Conditions.”](#)

### 2.12.3.2 Ethernet Management Interface 2 DC Electrical Characteristics

Ethernet Management Interface 2 pins function as open drain I/Os. The interface shall conform to 1.2 V nominal voltage levels. LV<sub>DD</sub> must be powered to use this interface. The DC electrical characteristics for EMI2\_MDIO and EMI2\_MDC are provided in this table.

**Table 40. Ethernet Management Interface 2 DC Electrical Characteristics (1.2 V)**For recommended operating conditions, see [Table 3](#).

Parameter	Symbol	Min	Max	Unit	Note
Input high voltage	V <sub>IH</sub>	0.84	—	V	—
Input low voltage	V <sub>IL</sub>	—	0.36	V	—
Output high voltage (I <sub>OH</sub> = -100 μA)	V <sub>OH</sub>	1.0	—	V	—
Output low voltage (I <sub>OL</sub> = 100 μA)	V <sub>OL</sub>	—	0.2	V	—
Output low current (V <sub>OL</sub> = 0.2 V)	I <sub>OL</sub>	4	—	mA	—
Input capacitance	C <sub>IN</sub>	—	10	pF	—

### 2.12.3.3 Ethernet Management Interface 1 AC Timing Specifications

This table provides the Ethernet management interface 1 AC timing specifications.

**Table 41. Ethernet Management Interface 1 AC Timing Specifications**

For recommended operating conditions, see [Table 3](#).

Parameter	Symbol <sup>1</sup>	Min	Typ	Max	Unit	Note
MDC frequency	$f_{MDC}$	—	—	2.5	MHz	2
MDC clock pulse width high	$t_{MDCH}$	160	—	—	ns	—
MDC to MDIO delay	$t_{MDKHDX}$	$(16 \times t_{plb\_clk}) - 6$	—	$(16 \times t_{plb\_clk}) + 6$	ns	3, 4
MDIO to MDC setup time	$t_{MDDVKH}$	10	—	—	ns	—
MDIO to MDC hold time	$t_{MDDXKH}$	0	—	—	ns	—

**Note:**

1. The symbols used for timing specifications follow the pattern of  $t_{(\text{first two letters of functional block})(\text{signal})(\text{state})(\text{reference})(\text{state})}$  for inputs and  $t_{(\text{first two letters of functional block})(\text{reference})(\text{state})(\text{signal})(\text{state})}$  for outputs. For example,  $t_{MDKHDX}$  symbolizes management data timing (MD) for the time  $t_{MDC}$  from clock reference (K) high (H) until data outputs (D) are invalid (X) or data hold time. Also,  $t_{MDDVKH}$  symbolizes management data timing (MD) with respect to the time data input signals (D) reaching the valid state (V) relative to the  $t_{MDC}$  clock reference (K) going to the high (H) state or setup time. For rise and fall times, the latter convention is used with the appropriate letter: R (rise) or F (fall).
2. This parameter is dependent on the platform clock frequency (MIIMCFG [MgmtClk] field determines the clock frequency of the MgmtClk Clock EC\_MDC).
3. This parameter is dependent on the platform clock frequency. The delay is equal to 16 platform clock periods  $\pm 3$  ns. For example, with a platform clock of 333 MHz, the min/max delay is 48 ns  $\pm 3$  ns. Similarly, if the platform clock is 400 MHz, the min/max delay is 40 ns  $\pm 3$  ns.
4.  $t_{plb\_clk}$  is the frame manager clock period.

### 2.12.3.4 Ethernet Management Interface 2 AC Electrical Characteristics

This table provides the Ethernet management interface 2 AC timing specifications.

**Table 42. Ethernet Management Interface 2 AC Timing Specifications**

For recommended operating conditions, see [Table 3](#).

Parameter/Condition	Symbol <sup>1</sup>	Min	Typ	Max	Unit	Note
MDC frequency	$f_{MDC}$	—	—	2.5	MHz	2
MDC clock pulse width high	$t_{MDCH}$	160	—	—	ns	—
MDC to MDIO delay	$t_{MDKHDX}$	$(0.5 \times (1/f_{MDC})) - 6$	—	$(0.5 \times (1/f_{MDC})) + 6$	ns	3
MDIO to MDC setup time	$t_{MDDVKH}$	10	—	—	ns	—
MDIO to MDC hold time	$t_{MDDXKH}$	0	—	—	ns	—

**Table 42. Ethernet Management Interface 2 AC Timing Specifications (continued)**

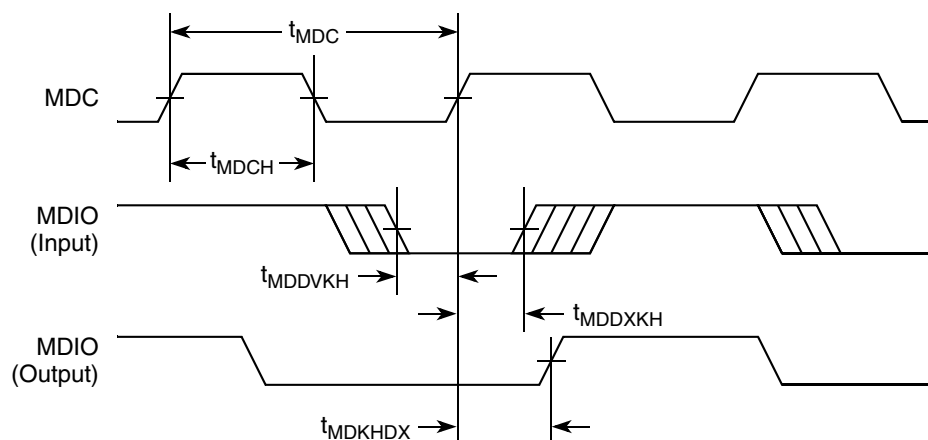
For recommended operating conditions, see Table 3.

Parameter/Condition	Symbol <sup>1</sup>	Min	Typ	Max	Unit	Note
---------------------	---------------------	-----	-----	-----	------	------

**Note:**

- The symbols used for timing specifications follow the pattern of  $t_{(\text{first two letters of functional block})(\text{signal})(\text{state})(\text{reference})(\text{state})}$  for inputs and  $t_{(\text{first two letters of functional block})(\text{reference})(\text{state})(\text{signal})(\text{state})}$  for outputs. For example,  $t_{\text{MDKHDX}}$  symbolizes management data timing (MD) for the time  $t_{\text{MDC}}$  from clock reference (K) high (H) until data outputs (D) are invalid (X) or data hold time. Also,  $t_{\text{MDDVKH}}$  symbolizes management data timing (MD) with respect to the time data input signals (D) reach the valid state (V) relative to the  $t_{\text{MDC}}$  clock reference (K) going to the high (H) state or setup time.
- This parameter is dependent on the frame manager clock frequency (MIIMCFG [MgmtClk] field determines the clock frequency of the MgmtClk Clock EC\_MDC).
- This parameter is dependent on the management data clock frequency,  $f_{\text{MDC}}$ . The delay is equal to 0.5 management data clock period  $\pm 6$  ns. For example, with a management data clock of 2.5 MHz, the min/max delay is 200 ns  $\pm 6$  ns.

This figure shows the Ethernet management interface timing diagram

**Figure 17. Ethernet Management Interface Timing Diagram****2.12.4 eTSEC IEEE Std 1588 DC Specifications**This table shows the eTSEC IEEE 1588 DC electrical characteristics when operating at  $V_{\text{DD}} = 3.3$  V supply.**Table 43. IEEE 1588 DC Electrical Characteristics ( $V_{\text{DD}} = 3.3$  V)**

For recommended operating conditions, see Table 3.

Parameter	Symbol	Min	Max	Unit	Note
Input high voltage	$V_{\text{IH}}$	2.0	—	V	2
Input low voltage	$V_{\text{IL}}$	—	0.9	V	2
Input high current ( $V_{\text{DD}} = \text{Max}$ , $V_{\text{IN}} = 2.1$ V)	$I_{\text{IH}}$	—	40	$\mu\text{A}$	1
Input low current ( $V_{\text{DD}} = \text{Max}$ , $V_{\text{IN}} = 0.5$ V)	$I_{\text{IL}}$	-600	—	$\mu\text{A}$	1
Output high voltage ( $V_{\text{DD}} = \text{Min}$ , $I_{\text{OH}} = -1.0$ mA)	$V_{\text{OH}}$	2.4	—	V	—
Output low voltage ( $V_{\text{DD}} = \text{Min}$ , $I_{\text{OL}} = 1.0$ mA)	$V_{\text{OL}}$	—	0.4	V	—

## Electrical Characteristics

**Table 43. IEEE 1588 DC Electrical Characteristics (LV<sub>DD</sub> = 3.3 V) (continued)**

For recommended operating conditions, see [Table 3](#).

Parameter	Symbol	Min	Max	Unit	Note
-----------	--------	-----	-----	------	------

**Note:**

1. The symbol V<sub>IN</sub>, in this case, represents the LV<sub>IN</sub> symbol referenced in [Table 2](#) and [Table 3](#).
2. The min V<sub>IL</sub> and max V<sub>IH</sub> values are based on the respective LV<sub>IN</sub> values found in [Table 3](#).

This table shows the eTSEC IEEE 1588 DC electrical characteristics when operating at LV<sub>DD</sub> = 2.5 V supply.

**Table 44. IEEE 1588 DC Electrical Characteristics (LV<sub>DD</sub> = 2.5 V)**

For recommended operating conditions, see [Table 3](#).

Parameter	Symbol	Min	Max	Unit	Note
Input high voltage	V <sub>IH</sub>	1.70	—	V	1
Input low voltage	V <sub>IL</sub>	—	0.70	V	1
Input current (LV <sub>IN</sub> = 0 V or LV <sub>IN</sub> = LV <sub>DD</sub> )	I <sub>IH</sub>	—	±40	μA	2
Output high voltage (LV <sub>DD</sub> = min, I <sub>OH</sub> = -1.0 mA)	V <sub>OH</sub>	2.00	—	V	—
Output low voltage (LV <sub>DD</sub> = min, I <sub>OL</sub> = 1.0 mA)	V <sub>OL</sub>	—	0.40	V	—

**Note:**

1. The min V<sub>IL</sub> and max V<sub>IH</sub> values are based on the respective min and max LV<sub>IN</sub> values found in [Table 3](#).
2. The symbol V<sub>IN</sub>, in this case, represents the LV<sub>IN</sub> symbols referenced in [Table 2](#) and [Table 3](#).

## 2.12.5 eTSEC IEEE Std 1588 AC Specifications

This table provides the eTSEC IEEE 1588 AC timing specifications.

**Table 45. eTSEC IEEE 1588 AC Timing Specifications**

For recommended operating conditions, see [Table 3](#).

Parameter	Symbol	Min	Typ	Max	Unit	Note
TSEC_1588_CLK clock period	t <sub>T1588CLK</sub>	6.4	—	T <sub>RX_CLK</sub> × 7	ns	1, 2
TSEC_1588_CLK duty cycle	t <sub>T1588CLKH</sub> / t <sub>T1588CLK</sub>	40	50	60	%	3
TSEC_1588_CLK peak-to-peak jitter	t <sub>T1588CLKINJ</sub>	—	—	250	ps	—
Rise time eTSEC_1588_CLK (20%–80%)	t <sub>T1588CLKINR</sub>	1.0	—	2.0	ns	—
Fall time eTSEC_1588_CLK (80%–20%)	t <sub>T1588CLKINF</sub>	1.0	—	2.0	ns	—
TSEC_1588_CLK_OUT clock period	t <sub>T1588CLKOUT</sub>	2 × t <sub>T1588CLK</sub>	—	—	ns	—
TSEC_1588_CLK_OUT duty cycle	t <sub>T1588CLKOTH</sub> / t <sub>T1588CLKOUT</sub>	30	50	70	%	—
TSEC_1588_PULSE_OUT	t <sub>T1588OV</sub>	0.5	—	3.5	ns	—
TSEC_1588_TRIG_IN pulse width	t <sub>T1588TRIGH</sub>	2 × t <sub>T1588CLK_MAX</sub>	—	—	ns	2

**Table 45. eTSEC IEEE 1588 AC Timing Specifications (continued)**

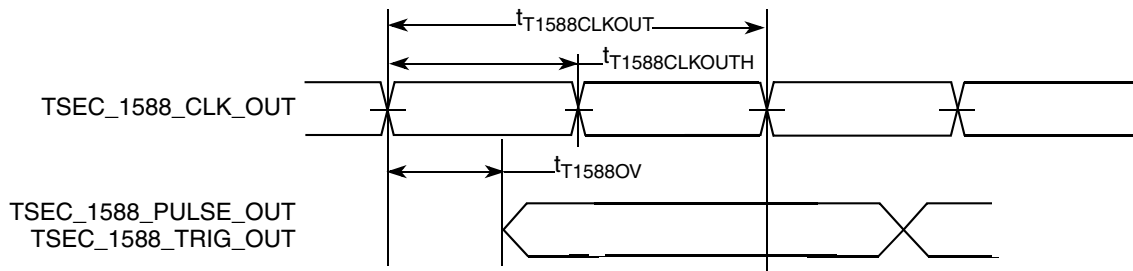
For recommended operating conditions, see [Table 3](#).

Parameter	Symbol	Min	Typ	Max	Unit	Note
-----------	--------	-----	-----	-----	------	------

**Note:**

1.  $T_{RX\_CLK}$  is the maximum clock period of eTSEC receiving clock selected by TMR\_CTRL[CKSEL]. See the chip reference manual for a description of TMR\_CTRL registers.
2. The maximum value of  $t_{T1588CLK}$  is not only defined by the value of  $T_{RX\_CLK}$ , but also defined by the recovered clock. For example, for 10/100/1000 Mbps modes, the maximum value of  $t_{T1588CLK}$  is 2800, 280, and 56 ns, respectively.
3. It needs to be at least two times the clock period of the clock selected by TMR\_CTRL[CKSEL]. See the chip reference manual for a description of TMR\_CTRL registers.

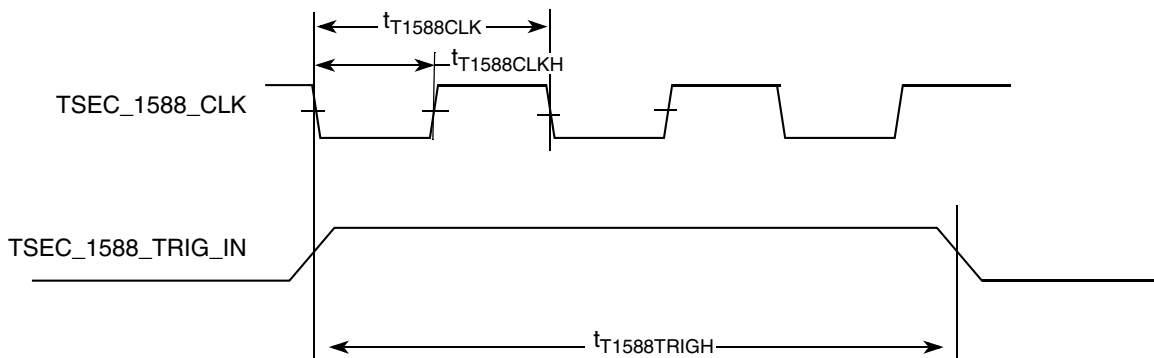
This figure shows the data and command output AC timing diagram.



**Note:** The output delay is counted starting at the rising edge if  $t_{T1588CLKOUT}$  is noninverting. Otherwise, it is counted starting at the falling edge.

**Figure 18. eTSEC IEEE 1588 Output AC Timing**

This figure shows the data and command input AC timing diagram.



**Figure 19. eTSEC IEEE 1588 Input AC Timing**

## 2.13 USB

This section provides the AC and DC electrical specifications for the USB interface.

### 2.13.1 USB DC Electrical Characteristics

This table provides the DC electrical characteristics for the USB interface at USB\_VDD\_3P3 = 3.3 V.

**Table 46. USB DC Electrical Characteristics (USB\_VDD\_3P3 = 3.3 V)**

For recommended operating conditions, see [Table 3](#).

Parameter	Symbol	Min	Max	Unit	Note
Input high voltage <sup>1</sup>	V <sub>IH</sub>	2.0	—	V	1
Input low voltage	V <sub>IL</sub>	—	0.8	V	1
Input current (USB_V <sub>IN_3P3</sub> = 0 V or USB_V <sub>IN_3P3</sub> = USB_V <sub>DD_3P3</sub> )	I <sub>IN</sub>	—	±40	μA	2
Output high voltage (USB_V <sub>DD_3P3</sub> = min, I <sub>OH</sub> = -2 mA)	V <sub>OH</sub>	2.8	—	V	
Output low voltage (USB_V <sub>DD_3P3</sub> = min, I <sub>OL</sub> = 2 mA)	V <sub>OL</sub>	—	0.3	V	—

**Note:**

1. The min V<sub>IL</sub> and max V<sub>IH</sub> values are based on the respective min and max USB\_V<sub>IN\_3P3</sub> values found in [Table 3](#).
2. The symbol USB\_V<sub>IN\_3P3</sub>, in this case, represents the USB\_V<sub>IN\_3P3</sub> symbol referenced in [Section 2.1.2](#), “Recommended Operating Conditions.”

### 2.13.2 USB AC Electrical Specifications

This table provides the USB clock input (USB<sub>n</sub>\_CLKIN) AC timing specifications.

**Table 47. USB\_CLK\_IN AC Timing Specifications**

For recommended operating conditions, see [Table 3](#).

Parameter	Condition	Symbol	Min	Typ	Max	Unit	Note
Frequency range	—	f <sub>USB_CLK_IN</sub>	—	24	—	MHz	—
Rise/Fall time	Measured between 10% and 90%	t <sub>USRF</sub>	—	—	6	ns	1
Clock frequency tolerance	—	t <sub>CLK_TOL</sub>	-0.005	0	0.005	%	—
Reference clock duty cycle	Measured at 1.6 V	t <sub>CLK_DUTY</sub>	40	50	60	%	—
Total input jitter/time interval error	RMS value measured with a second-order, high-pass filter of 500-kHz bandwidth	t <sub>CLK_PJ</sub>	—	—	5	ps	—

**Note:**

1. System/board must be designed to ensure the input requirement to the device is achieved. Proper device operation is guaranteed for inputs meeting this requirement by design, simulation, characterization, or functional testing.

## 2.14 Enhanced Local Bus Interface

This section describes the DC and AC electrical specifications for the enhanced local bus interface.

### 2.14.1 Enhanced Local Bus DC Electrical Characteristics

This table provides the DC electrical characteristics for the enhanced local bus interface operating at  $BV_{DD} = 3.3\text{ V}$ .

**Table 48. Enhanced Local Bus DC Electrical Characteristics ( $BV_{DD} = 3.3\text{ V}$ )**

For recommended operating conditions, see [Table 3](#).

Parameter	Symbol	Min	Max	Unit	Note
Input high voltage	$V_{IH}$	2	—	V	1
Input low voltage	$V_{IL}$	—	0.8	V	1
Input current ( $V_{IN} = 0\text{ V}$ or $V_{IN} = BV_{DD}$ )	$I_{IN}$	—	$\pm 40$	$\mu\text{A}$	2
Output high voltage ( $BV_{DD} = \text{min}$ , $I_{OH} = -2\text{ mA}$ )	$V_{OH}$	2.4	—	V	—
Output low voltage ( $BV_{DD} = \text{min}$ , $I_{OL} = 2\text{ mA}$ )	$V_{OL}$	—	0.4	V	—

**Note:**

1. The min  $V_{IL}$  and max  $V_{IH}$  values are based on the respective min and max  $BV_{IN}$  values found in [Table 3](#).
2. The symbol  $V_{IN}$ , in this case, represents the  $BV_{IN}$  symbol referenced in [Section 2.1.2, "Recommended Operating Conditions."](#)

This table provides the DC electrical characteristics for the enhanced local bus interface operating at  $BV_{DD} = 2.5\text{ V}$ .

**Table 49. Enhanced Local Bus DC Electrical Characteristics ( $BV_{DD} = 2.5\text{ V}$ )**

For recommended operating conditions, see [Table 3](#).

Parameter	Symbol	Min	Max	Unit	Note
Input high voltage	$V_{IH}$	1.7	—	V	1
Input low voltage	$V_{IL}$	—	0.7	V	1
Input current ( $V_{IN} = 0\text{ V}$ or $V_{IN} = BV_{DD}$ )	$I_{IN}$	—	$\pm 40$	$\mu\text{A}$	2
Output high voltage ( $BV_{DD} = \text{min}$ , $I_{OH} = -1\text{ mA}$ )	$V_{OH}$	2.0	—	V	—
Output low voltage ( $BV_{DD} = \text{min}$ , $I_{OL} = 1\text{ mA}$ )	$V_{OL}$	—	0.4	V	—

**Note:**

1. The min  $V_{IL}$  and max  $V_{IH}$  values are based on the respective min and max  $BV_{IN}$  values found in [Table 3](#).
2. The symbol  $V_{IN}$ , in this case, represents the  $BV_{IN}$  symbol referenced in [Section 2.1.2, "Recommended Operating Conditions."](#)

## Electrical Characteristics

This table provides the DC electrical characteristics for the enhanced local bus interface operating at  $BV_{DD} = 1.8\text{ V}$ .

**Table 50. Enhanced Local Bus DC Electrical Characteristics ( $BV_{DD} = 1.8\text{ V}$ )**

For recommended operating conditions, see [Table 3](#).

Parameter	Symbol	Min	Max	Unit	Note
Input high voltage	$V_{IH}$	1.25	—	V	1
Input low voltage	$V_{IL}$	—	0.6	V	1
Input current ( $V_{IN} = 0\text{ V}$ or $V_{IN} = BV_{DD}$ )	$I_{IN}$	—	$\pm 40$	$\mu\text{A}$	2
Output high voltage ( $BV_{DD} = \text{min}$ , $I_{OH} = -0.5\text{ mA}$ )	$V_{OH}$	1.35	—	V	—
Output low voltage ( $BV_{DD} = \text{min}$ , $I_{OL} = 0.5\text{ mA}$ )	$V_{OL}$	—	0.4	V	—

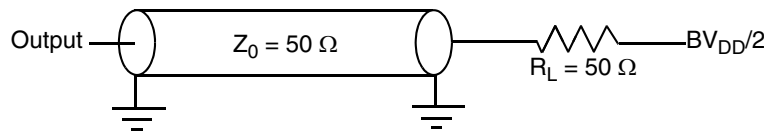
### Note:

- The min  $V_{IL}$  and max  $V_{IH}$  values are based on the respective min and max  $BV_{IN}$  values found in [Table 3](#).
- The symbol  $V_{IN}$ , in this case, represents the  $BV_{IN}$  symbol referenced in [Section 2.1.2, "Recommended Operating Conditions."](#)

## 2.14.2 Enhanced Local Bus AC Timing Specifications

This section describes the AC timing specifications for the enhanced local bus interface.

This figure shows the eLBC AC test load.



**Figure 20. Enhanced Local Bus AC Test Load**

### 2.14.2.1 Local Bus AC Timing Specification

All output signal timings are relative to the falling edge of any LCLKs. The external circuit must use the rising edge of the LCLKs to latch the data.

All input timings except LGTA/LUPWAIT/LFRB are relative to the rising edge of LCLKs. LGTA/LUPWAIT/LFRB are relative to the falling edge of LCLKs.

This table provides the eLBC timing specifications.

**Table 51. Enhanced Local Bus Timing Specifications**

For recommended operating conditions, see [Table 3](#).

Parameter	Symbol <sup>1</sup>	Min	Max	Unit	Note
Local bus cycle time	$t_{LBK}$	12	—	ns	—
Local bus duty cycle	$t_{LBKH}/t_{LBK}$	45	55	%	—
LCLK[n] skew to LCLK[m]	$t_{LBKSKEW}$	—	150	ps	2
Input setup (except LGTA/LUPWAIT/LFRB)	$t_{LBIVKH}$	6	—	ns	—
Input hold (except LGTA/LUPWAIT/LFRB)	$t_{LBIXKH}$	1	—	ns	—



**Table 51. Enhanced Local Bus Timing Specifications (continued)**For recommended operating conditions, see [Table 3](#).

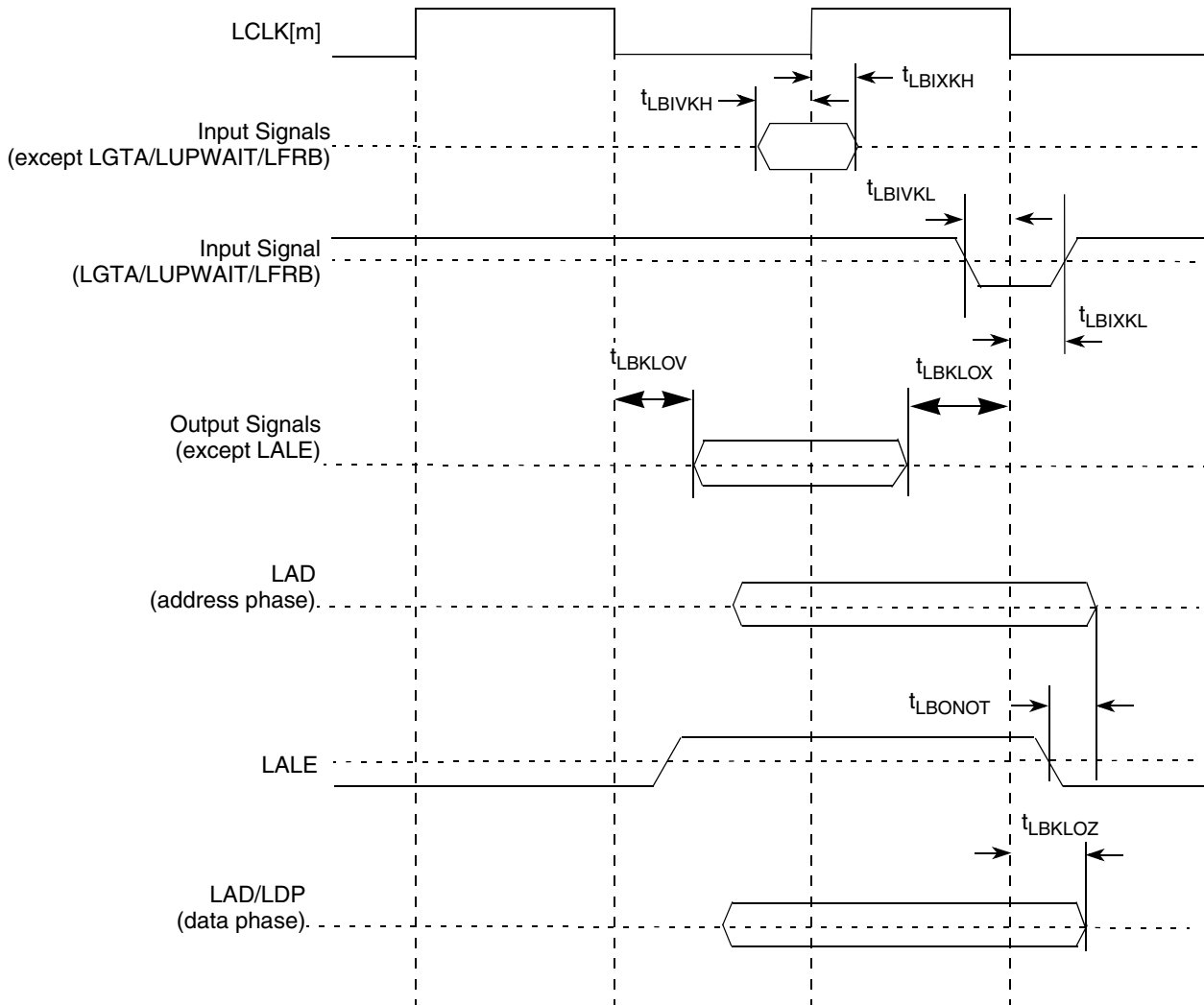
Parameter	Symbol <sup>1</sup>	Min	Max	Unit	Note
Input setup (for LGTA/LUPWAIT/LFRB)	$t_{LBIVKL}$	6	—	ns	—
Input hold (for LGTA/LUPWAIT/LFRB)	$t_{LBIXKL}$	1	—	ns	—
Output delay (Except LALE)	$t_{LBKLOV}$	—	2.0	ns	—
Output hold (Except LALE)	$t_{LBKLOX}$	-3.5	—	ns	5
Local bus clock to output high impedance for LAD/LDP	$t_{LBKLOZ}$	—	2	ns	3
LALE output negation to LAD/LDP output transition (LATCH hold time)	$t_{LBONOT}$	2 platform clock cycles - 1 ns (LBCR[AHD] = 1)	—	ns	4
		4 platform clock cycles - 2 ns (LBCR[AHD] = 0)	—		

**Note:**

1. All signals are measured from  $BV_{DD}/2$  of rising/falling edge of LCLK to  $BV_{DD}/2$  of the signal in question.
2. Skew is measured between different LCLKs at  $BV_{DD}/2$ .
3. For purposes of active/float timing measurements, the high impedance or off state is defined to be when the total current delivered through the component pin is less than or equal to the leakage current specification.
4.  $t_{LBONOT}$  is a measurement of the minimum time between the negation of LALE and any change in LAD.  $t_{LBONOT}$  is determined by LBCR[AHD]. The unit is the eLBC controller clock cycle, which is the internal clock that runs the local bus controller, not the external LCLK. After power on reset, LBCR[AHD] defaults to 0.
5. Output hold is negative, meaning that the output transition happens earlier than the falling edge of LCLK.

## Electrical Characteristics

This figure shows the AC timing diagram of the local bus interface.



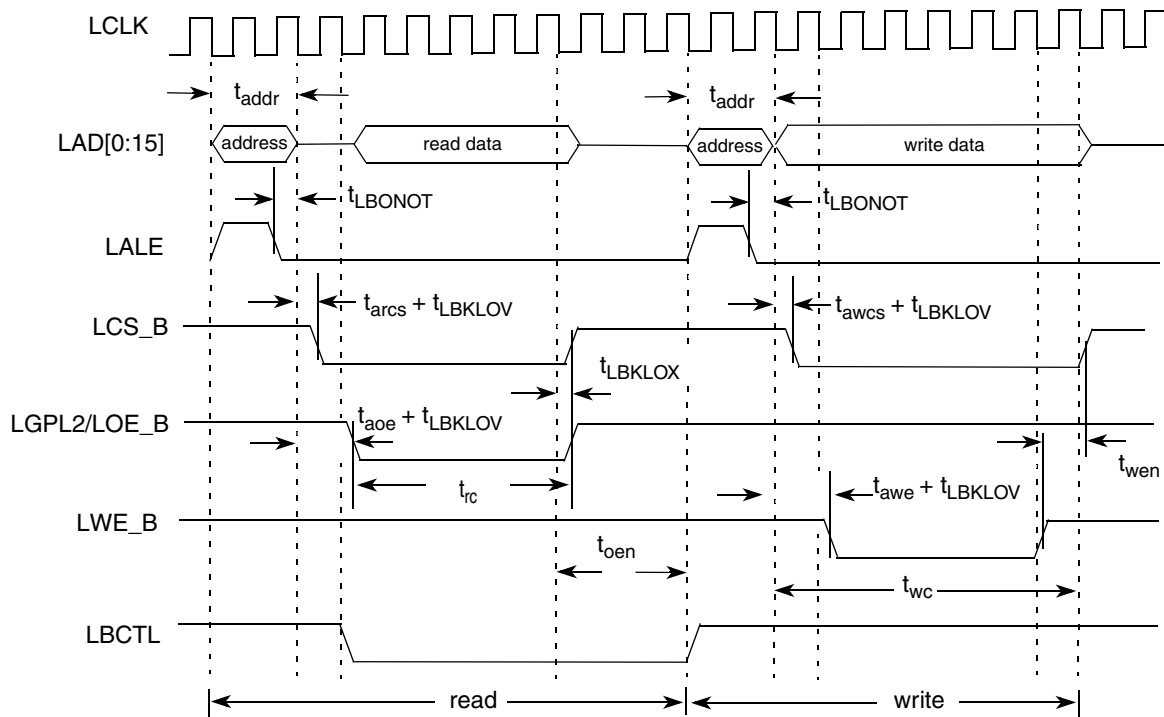
**Figure 21. Enhanced Local Bus Signals**

Figure 22 applies to all three controllers that eLBC supports: GPCM, UPM, and FCM.

For input signals, the AC timing data is used directly for all three controllers.

For output signals, each type of controller provides its own unique method to control the signal timing. The final signal delay value for output signals is the programmed delay plus the AC timing delay. For example, for GPCM, LCS can be programmed to delay by  $t_{acs}$  (0,  $\frac{1}{4}$ ,  $\frac{1}{2}$ , 1,  $1 + \frac{1}{4}$ ,  $1 + \frac{1}{2}$ , 2, 3 cycles), so the final delay is  $t_{acs} + t_{LBKLOV}$ .

This figure shows how the AC timing diagram applies to GPCM. The same principle applies to UPM and FCM.



<sup>1</sup>  $t_{addr}$  is programmable and determined by LCRR[EADC] and ORx[EAD].

<sup>2</sup>  $t_{arcs}$ ,  $t_{awcs}$ ,  $t_{aoe}$ ,  $t_{rc}$ ,  $t_{oen}$ ,  $t_{awe}$ ,  $t_{wc}$ ,  $t_{wen}$  are determined by ORx. See the chip reference manual.

Figure 22. GPCM Output Timing Diagram

## 2.15 Enhanced Secure Digital Host Controller (eSDHC)

This section describes the DC and AC electrical specifications for the eSDHC interface.

### 2.15.1 eSDHC DC Electrical Characteristics

This table provides the eSDHC electrical characteristics.

Table 52. eSDHC Interface DC Electrical Characteristics

For recommended operating conditions, see Table 3.

Characteristic	Symbol	Condition	Min	Max	Unit	Note
Input high voltage	$V_{IH}$	—	$0.625 \times CV_{DD}$	—	V	1
Input low voltage	$V_{IL}$	—	—	$0.25 \times CV_{DD}$	V	1
Input/output leakage current	$I_{IN}/I_{OZ}$	—	-50	50	$\mu A$	—
Output high voltage	$V_{OH}$	$I_{OH} = -100 \mu A$ at $CV_{DD} \text{ min}$	$0.75 \times CV_{DD}$	—	V	—

## Electrical Characteristics

**Table 52. eSDHC Interface DC Electrical Characteristics (continued)**

For recommended operating conditions, see [Table 3](#).

Characteristic	Symbol	Condition	Min	Max	Unit	Note
Output low voltage	$V_{OL}$	$I_{OL} = 100\mu\text{A}$ at $CV_{DD}$ min	—	$0.125 \times CV_{DD}$	V	—
Output high voltage	$V_{OH}$	$I_{OH} = -100\mu\text{A}$ at $CV_{DD}$ min	$CV_{DD} - 0.2$	—	V	2
Output low voltage	$V_{OL}$	$I_{OL} = 2\text{ mA}$ at $CV_{DD}$ min	—	0.3	V	2

**Note:**

1. The min  $V_{IL}$  and max  $V_{IH}$  values are based on the respective min and max  $CV_{IN}$  values found in [Table 3](#).
2. Open drain mode for MMC cards only.

## 2.15.2 eSDHC AC Timing Specifications

This table provides the eSDHC AC timing specifications as defined in [Figure 23](#) and [Figure 24](#).

**Table 53. eSDHC AC Timing Specifications**

For recommended operating conditions, see [Table 3](#).

Parameter	Symbol <sup>1</sup>	Min	Max	Unit	Note
SD_CLK clock frequency: SD/SDIO full-speed/high-speed mode MMC full-speed/high-speed mode	$f_{SHSCK}$	0	25/50 20/52	MHz	2, 4
SD_CLK clock low time—full-speed/high-speed mode	$t_{SHSCKL}$	10/7	—	ns	4
SD_CLK clock high time—full-speed/high-speed mode	$t_{SHSCKH}$	10/7	—	ns	4
SD_CLK clock rise and fall times	$t_{SHSCKR}/$ $t_{SHSCKF}$	—	3	ns	4
Input setup times: SD_CMD, SD_DATx, SD_CD to SD_CLK	$t_{SHSIVKH}$	2.5	—	ns	4
Input hold times: SD_CMD, SD_DATx, SD_CD to SD_CLK	$t_{SHSIXKH}$	2.5	—	ns	3,4
Output delay time: SD_CLK to SD_CMD, SD_DATx valid	$t_{SHSKHOV}$	-3	3	ns	4

**Note:**

1. The symbols used for timing specifications herein follow the pattern of  $t_{(\text{first three letters of functional block})(\text{signal})(\text{state}) (\text{reference})(\text{state})}$  for inputs and  $t_{(\text{first three letters of functional block})(\text{reference})(\text{state})(\text{signal})(\text{state})}$  for outputs. For example,  $t_{FHSKHOV}$  symbolizes eSDHC high-speed mode device timing (SHS) clock reference (K) going to the high (H) state, with respect to the output (O) reaching the invalid state (X) or output hold time. Note that in general, the clock reference symbol is based on five letters representing the clock of a particular functional. For rise and fall times, the latter convention is used with the appropriate letter: R (rise) or F (fall).
2. In full-speed mode, the clock frequency value can be 0–25 MHz for an SD/SDIO card and 0–20 MHz for an MMC card. In high-speed mode, the clock frequency value can be 0–50 MHz for an SD/SDIO card and 0–52 MHz for an MMC card.
3. To satisfy setup timing, the delay difference between clock input and cmd/data input must not exceed 2 ns.
4.  $C_{CARD} \leq 10\text{ pF}$ , (1 card), and  $C_L = C_{BUS} + C_{HOST} + C_{CARD} \leq 40\text{ pF}$

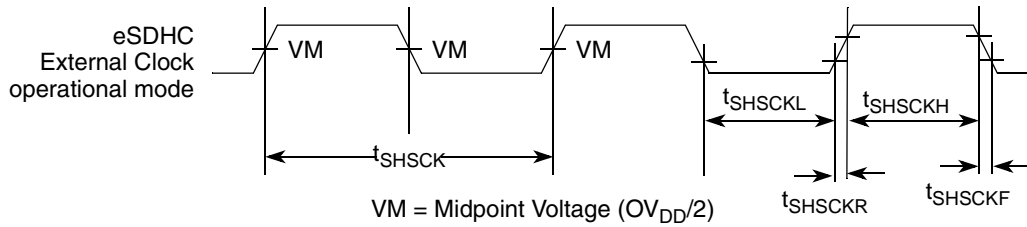
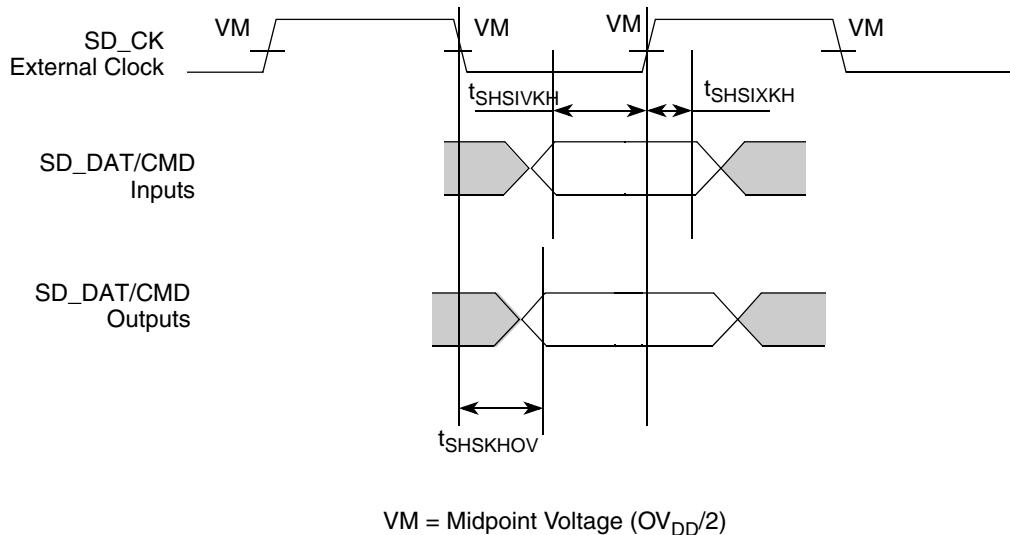


Figure 23. eSDHC Clock Input Timing Diagram



VM = Midpoint Voltage ( $OV_{DD}/2$ )

Figure 24. eSDHC Data and Command Input/Output Timing Diagram Referenced to Clock

## 2.16 Multicore Programmable Interrupt Controller (MPIC) Specifications

This section describes the DC and AC electrical specifications for the multicore programmable interrupt controller.

### 2.16.1 MPIC DC specifications

This table provides the DC electrical characteristics for the MPIC interface.

Table 54. MPIC DC Electrical Characteristics ( $OV_{DD} = 3.3\text{ V}$ )

For recommended operating conditions, see Table 3.

Parameter	Symbol	Min	Max	Unit	Note
Input high voltage	$V_{IH}$	2.0	—	V	1
Input low voltage	$V_{IL}$	—	0.8	V	1
Input current ( $OV_{IN} = 0\text{ V}$ or $OV_{IN} = OV_{DD}$ )	$I_{IN}$	—	$\pm 40$	$\mu\text{A}$	2
Output high voltage ( $OV_{DD} = \text{min}$ , $I_{OH} = -2\text{ mA}$ )	$V_{OH}$	2.4	—	V	—
Output low voltage ( $OV_{DD} = \text{min}$ , $I_{OL} = 2\text{ mA}$ )	$V_{OL}$	—	0.4	V	—

## Electrical Characteristics

**Table 54. MPIC DC Electrical Characteristics ( $OV_{DD} = 3.3\text{ V}$ ) (continued)**

For recommended operating conditions, see [Table 3](#).

Parameter	Symbol	Min	Max	Unit	Note
-----------	--------	-----	-----	------	------

**Note:**

1. The min  $V_{IL}$  and max  $V_{IH}$  values are based on the min and max  $OV_{IN}$  respective values found in [Table 3](#).
2. The symbol  $OV_{IN}$ , in this case, represents the  $OV_{IN}$  symbol referenced in [Table 3](#).

## 2.16.2 MPIC AC Timing Specifications

This table provides the MPIC input and output AC timing specifications.

**Table 55. MPIC Input AC Timing Specifications**

For recommended operating conditions, see [Table 3](#).

Characteristic	Symbol	Min	Max	Unit	Note
MPIC inputs—minimum pulse width	$t_{PIWID}$	3	—	SYSCLKs	1
Trust inputs—minimum pulse width	$t_{TIWID}$	3	—	SYSCLKs	2

**Note:**

1. MPIC inputs and outputs are asynchronous to any visible clock. MPIC outputs must be synchronized before use by any external synchronous logic. MPIC inputs are required to be valid for at least  $t_{PIWID}$  ns to ensure proper operation when working in edge triggered mode.
2. Trust inputs are asynchronous to any visible clock. Trust inputs are required to be valid for at least  $t_{TIWID}$  ns to ensure proper operation when working in edge triggered mode. For low power trust input pin LP\_TMP\_DETECT, the voltage is  $V_{DD\_LP}$  and see [Table 3](#) for the voltage requirement.

## 2.17 JTAG Controller

This section describes the DC and AC electrical specifications for the IEEE 1149.1 (JTAG) interface.

### 2.17.1 JTAG DC Electrical Characteristics

This table provides the JTAG DC electrical characteristics.

**Table 56. JTAG DC Electrical Characteristics ( $OV_{DD} = 3.3\text{ V}$ )**

For recommended operating conditions, see [Table 3](#).

Parameter	Symbol	Min	Max	Unit	Note
Input high voltage	$V_{IH}$	2	—	V	1
Input low voltage	$V_{IL}$	—	0.8	V	1
Input current ( $OV_{IN} = 0\text{ V}$ or $OV_{IN} = OV_{DD}$ )	$I_{IN}$	—	$\pm 40$	$\mu\text{A}$	2
Output high voltage ( $OV_{DD} = \text{min}$ , $I_{OH} = -2\text{ mA}$ )	$V_{OH}$	2.4	—	V	—
Output low voltage ( $OV_{DD} = \text{min}$ , $I_{OL} = 2\text{ mA}$ )	$V_{OL}$	—	0.4	V	—

**Note:**

1. The min  $V_{IL}$  and max  $V_{IH}$  values are based on the respective min and max  $OV_{IN}$  values found in [Table 3](#).
2. The symbol  $V_{IN}$ , in this case, represents the  $OV_{IN}$  symbol found in [Table 3](#).

## 2.17.2 JTAG AC Timing Specifications

This table provides the JTAG AC timing specifications as defined in Figure 25 through Figure 28.

**Table 57. JTAG AC Timing Specifications**

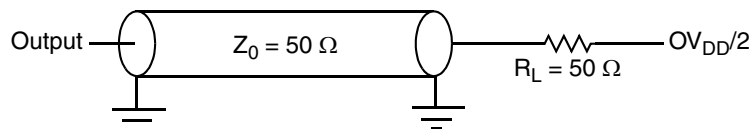
For recommended operating conditions, see Table 3.

Parameter	Symbol <sup>1</sup>	Min	Max	Unit	Note
JTAG external clock frequency of operation	$f_{JTG}$	0	33.3	MHz	—
JTAG external clock cycle time	$t_{JTG}$	30	—	ns	—
JTAG external clock pulse width measured at $OV_{DD}/2$ V	$t_{JTKHKL}$	15	—	ns	—
JTAG external clock rise and fall times	$t_{JTGR}/t_{JTGF}$	0	2	ns	—
$\overline{TRST}$ assert time	$t_{TRST}$	25	—	ns	2
Input setup times					
Boundary-scan USB only	$t_{JTDVKH}$	14	—	ns	—
Boundary (except USB)		4			
TDI, TMS		4			
Input hold times	$t_{JTDXKH}$	10	—	ns	—
Output valid times					
Boundary-scan data	$t_{JTKLDV}$	—	15	ns	3
TDO			10		
Output hold times	$t_{JTKLDX}$	0	—	ns	3

**Note:**

- The symbols used for timing specifications follow the pattern  $t_{(\text{first two letters of functional block})(\text{signal})(\text{state})(\text{reference})(\text{state})}$  for inputs and  $t_{(\text{first two letters of functional block})(\text{reference})(\text{state})(\text{signal})(\text{state})}$  for outputs. For example,  $t_{JTDVKH}$  symbolizes JTAG device timing (JT) with respect to the time data input signals (D) reaching the valid state (V) relative to the  $t_{JTG}$  clock reference (K) going to the high (H) state or setup time. Also,  $t_{JTDXKH}$  symbolizes JTAG timing (JT) with respect to the time data input signals (D) reaching the invalid state (X) relative to the  $t_{JTG}$  clock reference (K) going to the high (H) state. Note that in general, the clock reference symbol representation is based on three letters representing the clock of a particular functional. For rise and fall times, the latter convention is used with the appropriate letter: R (rise) or F (fall).
- $\overline{TRST}$  is an asynchronous level sensitive signal. The setup time is for test purposes only.
- All outputs are measured from the midpoint voltage of the falling edge of  $t_{TCLK}$  to the midpoint of the signal in question. The output timings are measured at the pins. All output timings assume a purely resistive 50- $\Omega$  load. Time-of-flight delays must be added for trace lengths, vias, and connectors in the system.

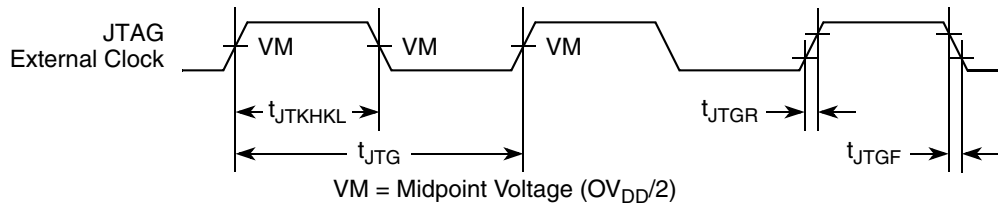
This figure provides the AC test load for TDO and the boundary-scan outputs of the device.



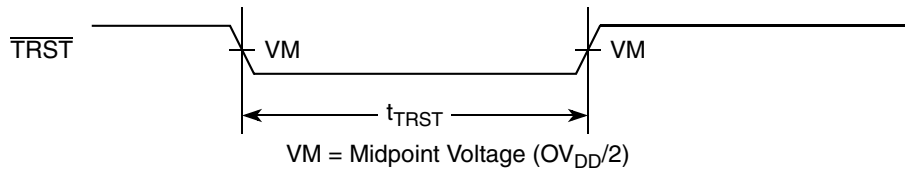
**Figure 25. AC Test Load for the JTAG Interface**

## Electrical Characteristics

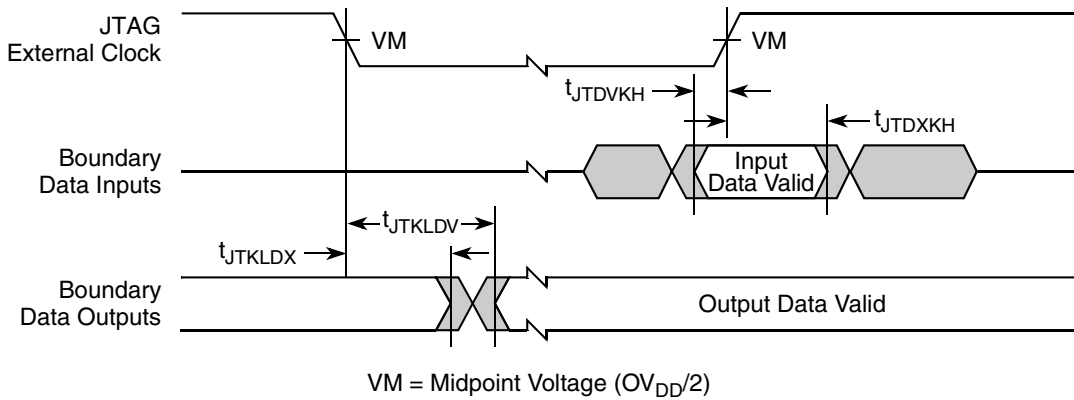
This figure provides the JTAG clock input timing diagram.



**Figure 26. JTAG Clock Input Timing Diagram**



**Figure 27.  $\overline{\text{TRST}}$  Timing Diagram**



**Figure 28. Boundary-Scan Timing Diagram**

## 2.18 I<sup>2</sup>C

This section describes the DC and AC electrical characteristics for the I<sup>2</sup>C interface.

### 2.18.1 I<sup>2</sup>C DC Electrical Characteristics

This table provides the DC electrical characteristics for the I<sup>2</sup>C interfaces.

**Table 58. I<sup>2</sup>C DC Electrical Characteristics ( $OV_{DD} = 3.3 \text{ V}$ )**

For recommended operating conditions, see [Table 3](#).

Parameter	Symbol	Min	Max	Unit	Note
Input high voltage	$V_{IH}$	2	—	V	1
Input low voltage	$V_{IL}$	—	0.8	V	1
Output low voltage ( $OV_{DD} = \text{min}$ , $I_{OL} = 2 \text{ mA}$ )	$V_{OL}$	0	0.4	V	2



**Table 58. I<sup>2</sup>C DC Electrical Characteristics (OV<sub>DD</sub> = 3.3 V) (continued)**For recommended operating conditions, see [Table 3](#).

Parameter	Symbol	Min	Max	Unit	Note
Pulse width of spikes which must be suppressed by the input filter	t <sub>I2KHKL</sub>	0	50	ns	3
Input current each I/O pin (input voltage is between 0.1 × OV <sub>DD</sub> and 0.9 × OV <sub>DD</sub> (max))	I <sub>I</sub>	-40	40	μA	4
Capacitance for each I/O pin	C <sub>I</sub>	—	10	pF	—

**Note:**

1. The min V<sub>IL</sub> and max V<sub>IH</sub> values are based on the respective min and max OV<sub>IN</sub> values found in [Table 3](#).
2. Output voltage (open drain or open collector) condition = 3 mA sink current.
3. See the chip reference manual for information about the digital filter used.
4. I/O pins obstruct the SDA and SCL lines if OV<sub>DD</sub> is switched off.

## 2.18.2 I<sup>2</sup>C AC Electrical Specifications

This table provides the I<sup>2</sup>C AC timing specifications.**Table 59. I<sup>2</sup>C AC Timing Specifications**For recommended operating conditions, see [Table 3](#).

Parameter	Symbol <sup>1</sup>	Min	Max	Unit	Note
SCL clock frequency	f <sub>I2C</sub>	0	400	kHz	2
Low period of the SCL clock	t <sub>I2CL</sub>	1.3	—	μs	—
High period of the SCL clock	t <sub>I2CH</sub>	0.6	—	μs	—
Setup time for a repeated START condition	t <sub>I2SVKH</sub>	0.6	—	μs	—
Hold time (repeated) START condition (after this period, the first clock pulse is generated)	t <sub>I2SXKL</sub>	0.6	—	μs	—
Data setup time	t <sub>I2DVKH</sub>	100	—	ns	—
Data input hold time: CBUS compatible masters I <sup>2</sup> C bus devices	t <sub>I2DXKL</sub>	— 0	— —	μs	3
Data output delay time	t <sub>I2OVKL</sub>	—	0.9	μs	4
Setup time for STOP condition	t <sub>I2PVKH</sub>	0.6	—	μs	—
Bus free time between a STOP and START condition	t <sub>I2KHDX</sub>	1.3	—	μs	—

## Electrical Characteristics

**Table 59. I<sup>2</sup>C AC Timing Specifications (continued)**

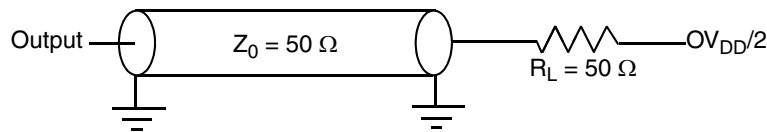
For recommended operating conditions, see Table 3.

Parameter	Symbol <sup>1</sup>	Min	Max	Unit	Note
Noise margin at the LOW level for each connected device (including hysteresis)	V <sub>NL</sub>	0.1 × OV <sub>DD</sub>	—	V	—
Noise margin at the HIGH level for each connected device (including hysteresis)	V <sub>NH</sub>	0.2 × OV <sub>DD</sub>	—	V	—
Capacitive load for each bus line	C <sub>b</sub>	—	400	pF	—

**Note:**

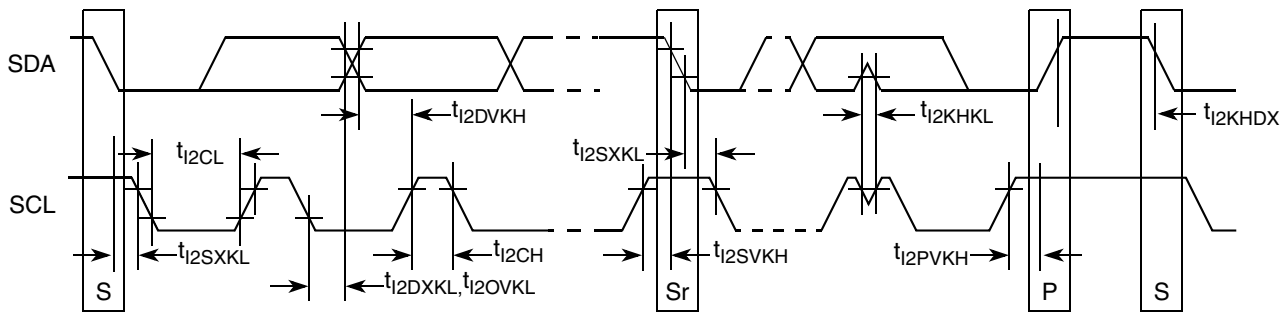
1. The symbols used for timing specifications herein follow the pattern t<sub>(first two letters of functional block)(signal)(state)(reference)(state)</sub> for inputs and t<sub>(first two letters of functional block)(reference)(state)(signal)(state)</sub> for outputs. For example, t<sub>12DVKH</sub> symbolizes I<sup>2</sup>C timing (I2) with respect to the time data input signals (D) reaching the valid state (V) relative to the t<sub>12C</sub> clock reference (K) going to the high (H) state or setup time. Also, t<sub>12SXKL</sub> symbolizes I<sup>2</sup>C timing (I2) for the time that the data with respect to the START condition (S) went invalid (X) relative to the t<sub>12C</sub> clock reference (K) going to the low (L) state or hold time. Also, t<sub>12PVKH</sub> symbolizes I<sup>2</sup>C timing (I2) for the time that the data with respect to the STOP condition (P) reaches the valid state (V) relative to the t<sub>12C</sub> clock reference (K) going to the high (H) state or setup time.
2. The requirements for I<sup>2</sup>C frequency calculation must be followed. Refer to Freescale application note AN2919, “Determining the I2C Frequency Divider Ratio for SCL.”
3. As a transmitter, the device provides a delay time of at least 300 ns for the SDA signal (referred to the V<sub>IHmin</sub> of the SCL signal) to bridge the undefined region of the falling edge of SCL to avoid unintended generation of a START or STOP condition. When the device acts as the I<sup>2</sup>C bus master while transmitting, it drives both SCL and SDA. As long as the load on SCL and SDA are balanced, the device does not generate an unintended START or STOP condition. Therefore, the 300 ns SDA output delay time is not a concern. If, under some rare condition, the 300 ns SDA output delay time is required for the device as transmitter, application note AN2919 referred to in note 2 above is recommended.
4. The maximum t<sub>12OVKL</sub> must be met only if the device does not stretch the LOW period (t<sub>12CL</sub>) of the SCL signal.

This figure provides the AC test load for the I<sup>2</sup>C.



**Figure 29. I<sup>2</sup>C AC Test Load**

This figure shows the AC timing diagram for the I<sup>2</sup>C bus.



**Figure 30. I<sup>2</sup>C Bus AC Timing Diagram**

## 2.19 GPIO

This section describes the DC and AC electrical characteristics for the GPIO interface.

### 2.19.1 GPIO DC Electrical Characteristics

This table provides the DC electrical characteristics for GPIO pins operating at  $CV_{DD}$ ,  $LV_{DD}$  or  $OV_{DD} = 3.3$  V.

**Table 60. GPIO DC Electrical Characteristics ( $CV_{DD}$ ,  $LV_{DD}$  or  $OV_{DD} = 3.3$  V)**

For recommended operating conditions, see [Table 3](#).

Parameter	Symbol	Min	Max	Unit	Note
Input high voltage	$V_{IH}$	2.0	—	V	1
Input low voltage	$V_{IL}$	—	0.8	V	1
Input current ( $OV_{IN} = 0$ V or $OV_{IN} = OV_{DD}$ )	$I_{IN}$	—	$\pm 40$	$\mu$ A	2
Output high voltage ( $OV_{DD} = \text{min}$ , $I_{OH} = -2$ mA)	$V_{OH}$	2.4	—	V	—
Output low voltage ( $OV_{DD} = \text{min}$ , $I_{OL} = 2$ mA)	$V_{OL}$	—	0.4	V	—

**Note:**

1. The min  $V_{IL}$  and max  $V_{IH}$  values are based on the min and max  $L/OV_{IN}$  respective values found in [Table 3](#).
2. The symbol  $V_{IN}$ , in this case, represents the  $L/OV_{IN}$  symbol referenced in [Section 2.1.2, "Recommended Operating Conditions."](#)

This table provides the DC electrical characteristics for GPIO pins operating at  $CV_{DD}$  or  $LV_{DD} = 2.5$  V.

**Table 61. GPIO DC Electrical Characteristics ( $CV_{DD}$  or  $LV_{DD} = 2.5$  V)**

For recommended operating conditions, see [Table 3](#).

Parameter	Symbol	Min	Max	Unit	Note
Input high voltage	$V_{IH}$	1.7	—	V	1
Input low voltage	$V_{IL}$	—	0.7	V	1
Input current ( $V_{IN} = 0$ V or $V_{IN} = LV_{DD}$ )	$I_{IN}$	—	$\pm 40$	$\mu$ A	2
Output high voltage ( $LV_{DD} = \text{min}$ , $I_{OH} = -2$ mA)	$V_{OH}$	2.0	—	V	—
Output low voltage ( $LV_{DD} = \text{min}$ , $I_{OH} = 2$ mA)	$V_{OL}$	—	0.4	V	—

**Note:**

1. The min  $V_{IL}$  and max  $V_{IH}$  values are based on the respective min and max  $LV_{IN}$  values found in [Table 3](#).
2. The symbol  $V_{IN}$ , in this case, represents the  $LV_{IN}$  symbol referenced in [Section 2.1.2, "Recommended Operating Conditions."](#)

## 2.19.2 GPIO AC Timing Specifications

This table provides the GPIO input and output AC timing specifications.

**Table 62. GPIO Input AC Timing Specifications**

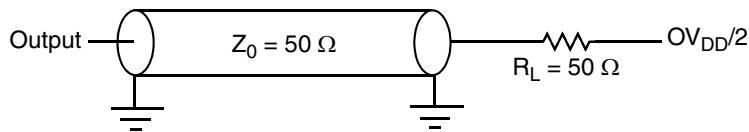
For recommended operating conditions, see [Table 3](#).

Parameter	Symbol	Min	Unit	Note
GPIO inputs—minimum pulse width	$t_{PIWID}$	20	ns	1

**Note:**

- GPIO inputs and outputs are asynchronous to any visible clock. GPIO outputs must be synchronized before use by any external synchronous logic. GPIO inputs are required to be valid for at least  $t_{PIWID}$  to ensure proper operation.

This figure provides the AC test load for the GPIO.



**Figure 31. GPIO AC Test Load**

## 2.20 High-Speed Serial Interfaces (HSSI)

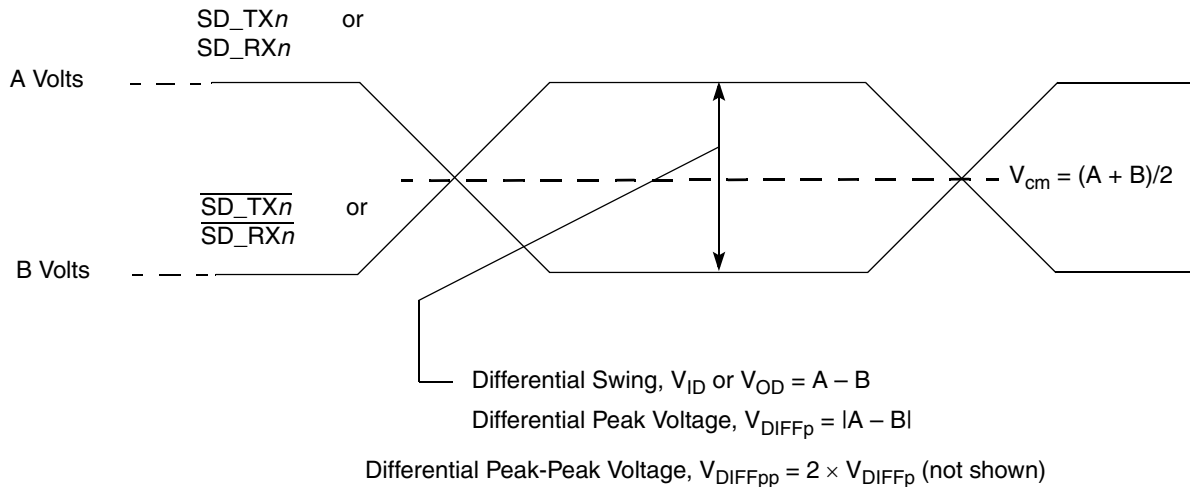
The device features a serializer/deserializer (SerDes) interface to be used for high-speed serial interconnect applications. The SerDes interface can be used for PCI Express, Serial RapidIO, XAUI, Aurora, and SGMII data transfers.

This section describes the common portion of SerDes DC electrical specifications: the DC requirement for SerDes reference clocks. The SerDes data lane’s transmitter (Tx) and receiver (Rx) reference circuits are also shown.

### 2.20.1 Signal Terms Definition

The SerDes utilizes differential signaling to transfer data across the serial link. This section defines terms used in the description and specification of differential signals.

This figure shows how the signals are defined. For illustration purposes only, one SerDes lane is used in the description. This figure shows the waveform for either a transmitter output ( $\overline{SD\_TXn}$  and  $\overline{SD\_RXn}$ ) or a receiver input ( $\overline{SD\_RXn}$  and  $\overline{SD\_TXn}$ ). Each signal swings between A volts and B volts where  $A > B$ .



**Figure 32. Differential Voltage Definitions for Transmitter or Receiver**

Using this waveform, the definitions are as shown in the following list. To simplify the illustration, the definitions assume that the SerDes transmitter and receiver operate in a fully symmetrical differential signaling environment:

**Single-Ended Swing** The transmitter output signals and the receiver input signals  $\overline{SD\_TXn}$ ,  $\overline{SD\_TXn}$ ,  $\overline{SD\_RXn}$  and  $\overline{SD\_RXn}$  each have a peak-to-peak swing of  $A - B$  volts. This is also referred as each signal wire's single-ended swing.

**Differential Output Voltage,  $V_{OD}$  (or Differential Output Swing):**

The differential output voltage (or swing) of the transmitter,  $V_{OD}$ , is defined as the difference of the two complimentary output voltages:  $V_{\overline{SD\_TXn}} - V_{\overline{SD\_TXn}}$ . The  $V_{OD}$  value can be either positive or negative.

**Differential Input Voltage,  $V_{ID}$  (or Differential Input Swing):**

The differential input voltage (or swing) of the receiver,  $V_{ID}$ , is defined as the difference of the two complimentary input voltages:  $V_{\overline{SD\_RXn}} - V_{\overline{SD\_RXn}}$ . The  $V_{ID}$  value can be either positive or negative.

**Differential Peak Voltage,  $V_{DIFFp}$**

The peak value of the differential transmitter output signal or the differential receiver input signal is defined as the differential peak voltage,  $V_{DIFFp} = |A - B|$  volts.

**Differential Peak-to-Peak,  $V_{DIFFp-p}$**

Since the differential output signal of the transmitter and the differential input signal of the receiver each range from  $A - B$  to  $-(A - B)$  volts, the peak-to-peak value of the differential transmitter output signal or the differential receiver input signal is defined as differential peak-to-peak voltage,  $V_{DIFFp-p} = 2 \times V_{DIFFp} = 2 \times |(A - B)|$  volts, which is twice the differential swing in amplitude, or twice of the differential peak. For example, the output differential peak-to-peak voltage can also be calculated as  $V_{TX-DIFFp-p} = 2 \times |V_{OD}|$ .

**Differential Waveform**

The differential waveform is constructed by subtracting the inverting signal ( $\overline{SD\_TXn}$ , for example) from the non-inverting signal ( $\overline{SD\_TXn}$ , for example) within a differential pair. There is

## Electrical Characteristics

only one signal trace curve in a differential waveform. The voltage represented in the differential waveform is not referenced to ground. See [Figure 37](#) as an example for differential waveform.

### Common Mode Voltage, $V_{cm}$

The common mode voltage is equal to half of the sum of the voltages between each conductor of a balanced interchange circuit and ground. In this example, for SerDes output,  $V_{cm\_out} = (V_{SD\_TXn} + V_{\overline{SD\_TXn}}) \div 2 = (A + B) \div 2$ , which is the arithmetic mean of the two complimentary output voltages within a differential pair. In a system, the common mode voltage may often differ from one component's output to the other's input. It may be different between the receiver input and driver output circuits within the same component. It is also referred to as the DC offset on some occasions.

To illustrate these definitions using real values, consider the example of a current mode logic (CML) transmitter that has a common mode voltage of 2.25 V and outputs, TD and  $\overline{TD}$ . If these outputs have a swing from 2.0 V to 2.5 V, the peak-to-peak voltage swing of each signal (TD or  $\overline{TD}$ ) is 500 mV p-p, which is referred to as the single-ended swing for each signal. Because the differential signaling environment is fully symmetrical in this example, the transmitter output's differential swing ( $V_{OD}$ ) has the same amplitude as each signal's single-ended swing. The differential output signal ranges between 500 mV and -500 mV. In other words,  $V_{OD}$  is 500 mV in one phase and -500 mV in the other phase. The peak differential voltage ( $V_{DIFFp}$ ) is 500 mV. The peak-to-peak differential voltage ( $V_{DIFFp-p}$ ) is 1000 mV p-p.

## 2.20.2 SerDes Reference Clocks

The SerDes reference clock inputs are applied to an internal PLL whose output creates the clock used by the corresponding SerDes lanes. The SerDes reference clocks inputs are  $SD\_REF\_CLK1$  and  $\overline{SD\_REF\_CLK1}$  for SerDes bank1 and  $SD\_REF\_CLK2$  and  $\overline{SD\_REF\_CLK2}$  for SerDes bank2.

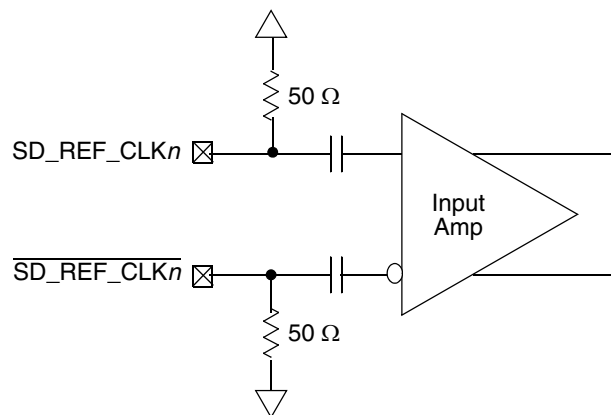
SerDes banks 1–2 may be used for various combinations of the following IP blocks based on the RCW configuration field SRDS\_PRTCL:

- SerDes bank 1: PCI Express 1/2/3, sRIO1/2, SGMII (1.25 Gbps only).
- SerDes bank 2: PCI Express3, SGMII (1.25 or 3.125 GBaud), SATA or Aurora or XAUI.

The following sections describe the SerDes reference clock requirements and provide application information.

### 2.20.2.1 SerDes Reference Clock Receiver Characteristics

This figure shows a receiver reference diagram of the SerDes reference clocks.



**Figure 33. Receiver of SerDes Reference Clocks**

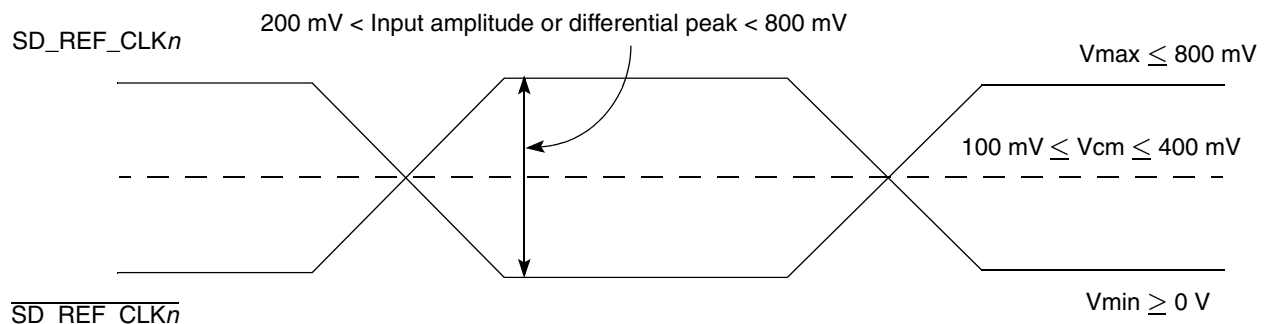
The characteristics of the clock signals are as follows:

- The SerDes transceivers core power supply voltage requirements ( $SV_{DD}$ ) are as specified in [Section 2.1.2](#), “Recommended Operating Conditions.”
- The SerDes reference clock receiver reference circuit structure is as follows:
  - The  $SD\_REF\_CLKn$  and  $\overline{SD\_REF\_CLKn}$  are internally AC-coupled differential inputs as shown in [Figure 33](#). Each differential clock input ( $SD\_REF\_CLKn$  or  $\overline{SD\_REF\_CLKn}$ ) has on-chip 50- $\Omega$  termination to SGND followed by on-chip AC-coupling.
  - The external reference clock driver must be able to drive this termination.
  - The SerDes reference clock input can be either differential or single-ended. Refer to the differential mode and single-ended mode descriptions below for detailed requirements.
- The maximum average current requirement also determines the common mode voltage range.
  - When the SerDes reference clock differential inputs are DC coupled externally with the clock driver chip, the maximum average current allowed for each input pin is 8 mA. In this case, the exact common mode input voltage is not critical as long as it is within the range allowed by the maximum average current of 8 mA because the input is AC-coupled on-chip.
  - This current limitation sets the maximum common mode input voltage to be less than 0.4 V ( $0.4\text{ V} \div 50 = 8\text{ mA}$ ) while the minimum common mode input level is 0.1 V above SGND. For example, a clock with a 50/50 duty cycle can be produced by a clock driver with output driven by its current source from 0 mA to 16 mA (0–0.8 V), such that each phase of the differential input has a single-ended swing from 0 V to 800 mV with the common mode voltage at 400 mV.
  - If the device driving the  $SD\_REF\_CLKn$  and  $\overline{SD\_REF\_CLKn}$  inputs cannot drive 50  $\Omega$  to SGND DC or the drive strength of the clock driver chip exceeds the maximum input current limitations, it must be AC-coupled off-chip.
- The input amplitude requirement is described in detail in the following sections.

### 2.20.2.2 DC Level Requirement for SerDes Reference Clocks

The DC level requirement for the SerDes reference clock inputs is different depending on the signaling mode used to connect the clock driver chip and SerDes reference clock inputs, as described below:

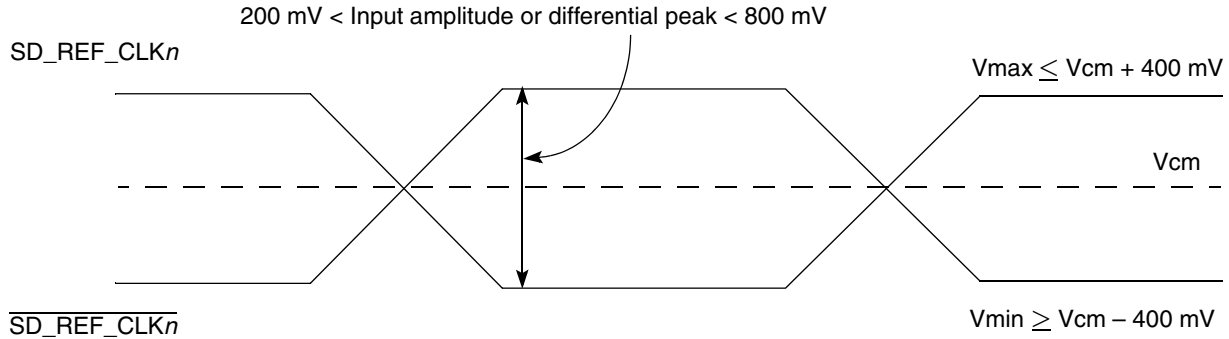
- Differential Mode
  - The input amplitude of the differential clock must be between 400 mV and 1600 mV differential peak-peak (or between 200 mV and 800 mV differential peak). In other words, each signal wire of the differential pair must have a single-ended swing of less than 800 mV and greater than 200 mV. This requirement is the same for both external DC-coupled or AC-coupled connection.
  - For an external DC-coupled connection, as described in [Section 2.20.2.1](#), “SerDes Reference Clock Receiver Characteristics,” the maximum average current requirements sets the requirement for average voltage (common mode voltage) as between 100 mV and 400 mV. This figure shows the SerDes reference clock input requirement for DC-coupled connection scheme.



**Figure 34. Differential Reference Clock Input DC Requirements (External DC-Coupled)**

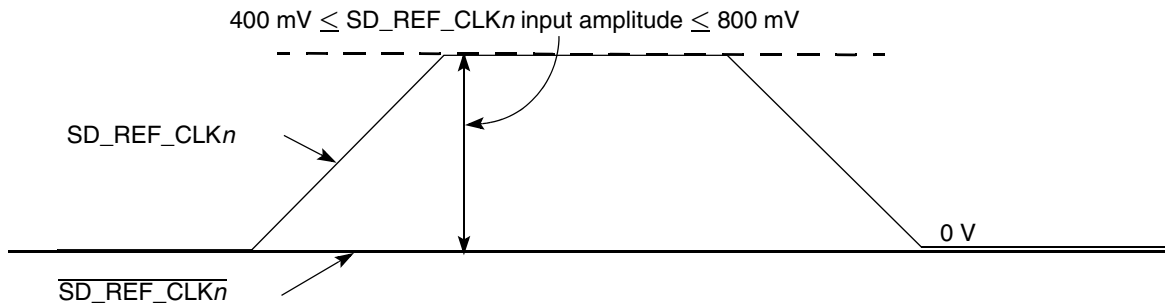
## Electrical Characteristics

- For an external AC-coupled connection, there is no common mode voltage requirement for the clock driver. Because the external AC-coupling capacitor blocks the DC level, the clock driver and the SerDes reference clock receiver operate in different common mode voltages. The SerDes reference clock receiver in this connection scheme has its common mode voltage set to SGND. Each signal wire of the differential inputs is allowed to swing below and above the common mode voltage (SGND). This figure shows the SerDes reference clock input requirement for AC-coupled connection scheme.



**Figure 35. Differential Reference Clock Input DC Requirements (External AC-Coupled)**

- Single-Ended Mode
  - The reference clock can also be single-ended. The SD\_REF\_CLKn input amplitude (single-ended swing) must be between 400 mV and 800 mV peak-peak (from  $V_{\text{MIN}}$  to  $V_{\text{MAX}}$ ) with  $\overline{\text{SD\_REF\_CLKn}}$  either left unconnected or tied to ground.
  - The SD\_REF\_CLKn input average voltage must be between 200 and 400 mV. Figure 36 shows the SerDes reference clock input requirement for single-ended signaling mode.
  - To meet the input amplitude requirement, the reference clock inputs may need to be DC- or AC-coupled externally. For the best noise performance, the reference of the clock could be DC- or AC-coupled into the unused phase ( $\overline{\text{SD\_REF\_CLKn}}$ ) through the same source impedance as the clock input (SD\_REF\_CLKn) in use.



**Figure 36. Single-Ended Reference Clock Input DC Requirements**



### 2.20.2.3 AC Requirements for SerDes Reference Clocks

This table lists AC requirements for the PCI Express, SGMII, Serial RapidIO, SATA and Aurora SerDes reference clocks to be guaranteed by the customer's application design.

**Table 63. SD\_REF\_CLK $n$  and  $\overline{\text{SD\_REF\_CLK}}_n$  Input Clock Requirements ( $\text{SV}_{\text{DD}} = 1.0 \text{ V}$ )**

For recommended operating conditions, see [Table 3](#).

Parameter	Symbol	Min	Typ	Max	Unit	Note
SD_REF_CLK/ $\overline{\text{SD\_REF\_CLK}}$ frequency range	$t_{\text{CLK\_REF}}$	—	100/125/156.25	—	MHz	1
SD_REF_CLK/ $\overline{\text{SD\_REF\_CLK}}$ clock frequency tolerance	$t_{\text{CLK\_TOL}}$	-350	—	350	ppm	—
SD_REF_CLK/ $\overline{\text{SD\_REF\_CLK}}$ reference clock duty cycle	$t_{\text{CLK\_DUTY}}$	40	50	60	%	4
SD_REF_CLK/ $\overline{\text{SD\_REF\_CLK}}$ max deterministic peak-peak jitter at $10^{-6}$ BER	$t_{\text{CLK\_DJ}}$	—	—	42	ps	—
SD_REF_CLK/ $\overline{\text{SD\_REF\_CLK}}$ total reference clock jitter at $10^{-6}$ BER (peak-to-peak jitter at refClk input)	$t_{\text{CLK\_TJ}}$	—	—	86	ps	2
SD_REF_CLK/ $\overline{\text{SD\_REF\_CLK}}$ rising/falling edge rate	$t_{\text{CLKRRR}}/t_{\text{CLKFR}}$	1	—	4	V/ns	3
Differential input high voltage	$V_{\text{IH}}$	200	—	—	mV	4
Differential input low voltage	$V_{\text{IL}}$	—	—	-200	mV	4
Rising edge rate (SD_REF_CLK $n$ ) to falling edge rate ( $\overline{\text{SD\_REF\_CLK}}_n$ ) matching	Rise-Fall Matching	—	—	20	%	5, 6

**Note:**

- Caution:** Only 100, 125 and 156.25 have been tested. In-between values do not work correctly with the rest of the system.
- Limits from PCI Express CEM Rev 2.0
- Measured from -200 mV to +200 mV on the differential waveform (derived from SD\_REF\_CLK $n$  minus  $\overline{\text{SD\_REF\_CLK}}_n$ ). The signal must be monotonic through the measurement region for rise and fall time. The 400 mV measurement window is centered on the differential zero crossing. See [Figure 37](#).
- Measurement taken from differential waveform
- Measurement taken from single-ended waveform
- Matching applies to rising edge for SD\_REF\_CLK $n$  and falling edge rate for  $\overline{\text{SD\_REF\_CLK}}_n$ . It is measured using a 200 mV window centered on the median cross point where SD\_REF\_CLK $n$  rising meets  $\overline{\text{SD\_REF\_CLK}}_n$  falling. The median cross point is used to calculate the voltage thresholds that the oscilloscope uses for the edge rate calculations. The rise edge rate of SD\_REF\_CLK $n$  must be compared to the fall edge rate of  $\overline{\text{SD\_REF\_CLK}}_n$ , the maximum allowed difference should not exceed 20% of the slowest edge rate. See [Figure 38](#).

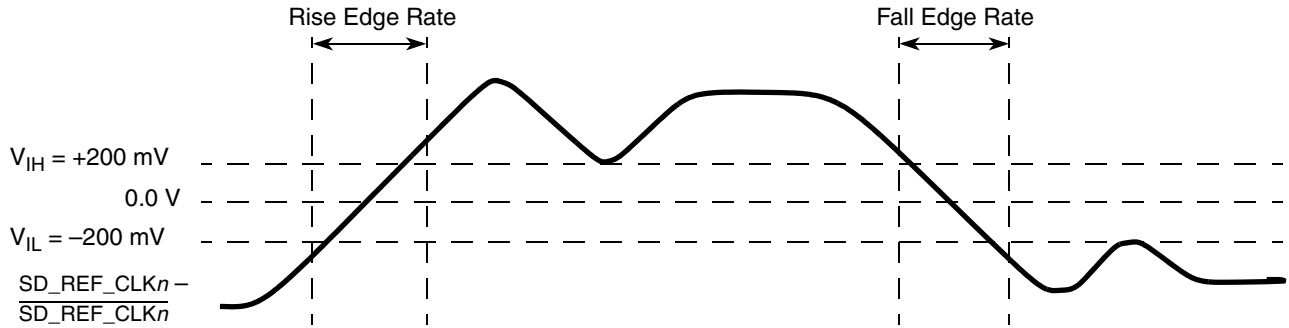


Figure 37. Differential Measurement Points for Rise and Fall Time

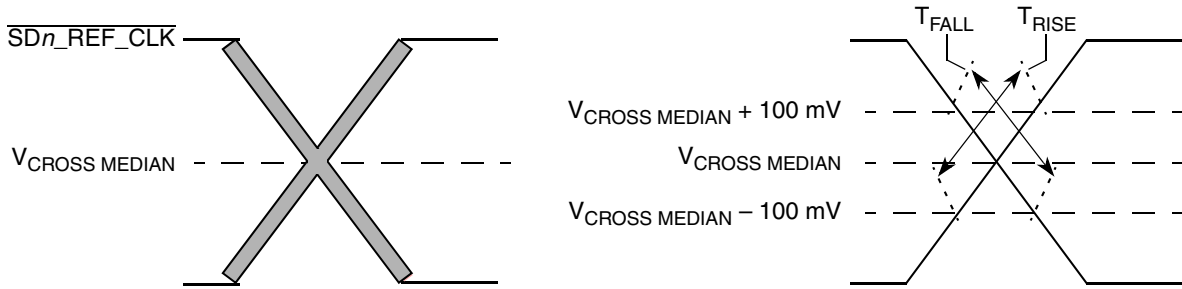


Figure 38. Single-Ended Measurement Points for Rise and Fall Time Matching

### 2.20.2.4 Spread Spectrum Clock

$\overline{SD\_REF\_CLK1}/SD\_REF\_CLK1$  were designed to work with a spread spectrum clock (+0 to 0.5% spreading at 30–33 kHz rate is allowed), assuming both ends have same reference clock. For better results, a source without significant unintended modulation must be used.

$\overline{SD\_REF\_CLK2}/SD\_REF\_CLK2$  were designed to work with a spread spectrum clock (+0 to 0.5% spreading at 30–33 kHz rate is allowed), assuming both ends have same reference clock and the industry protocol specifications supports it. For better results, a source without significant unintended modulation must be used.

### 2.20.3 SerDes Transmitter and Receiver Reference Circuits

This figure shows the reference circuits for SerDes data lane’s transmitter and receiver.

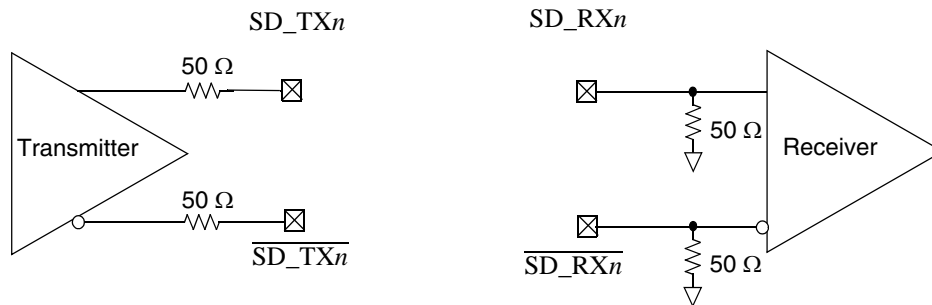


Figure 39. SerDes Transmitter and Receiver Reference Circuits

The DC and AC specification of SerDes data lanes are defined in each interface protocol section below based on the application usage:

- [Section 2.20.4, “PCI Express”](#)
- [Section 2.20.5, “Serial RapidIO \(sRIO\)”](#)
- [Section 2.20.6, “XAUI”](#)
- [Section 2.20.7, “Aurora”](#)
- [Section 2.20.8, “Serial ATA \(SATA\)”](#)
- [Section 2.20.9, “SGMII Interface”](#)

## 2.20.4 PCI Express

This section describes the clocking dependencies, DC and AC electrical specifications for the PCI Express bus.

### 2.20.4.1 Clocking Dependencies

The ports on the two ends of a link must transmit data at a rate that is within 600 parts per million (ppm) of each other at all times. This is specified to allow bit rate clock sources with a  $\pm 300$  ppm tolerance.

### 2.20.4.2 PCI Express Clocking Requirements for $\overline{SD\_REF\_CLKn}$ and $SD\_REF\_CLKn$

SerDes banks 1–2 ( $\overline{SD\_REF\_CLK[1:2]}$  and  $SD\_REF\_CLK[1:2]$ ) may be used for various SerDes PCI Express configurations based on the RCW configuration field SRDS\_PRTCL.

For more information on these specifications, see [Section 2.20.2, “SerDes Reference Clocks.”](#)

### 2.20.4.3 PCI Express DC Physical Layer Specifications

This section contains the DC specifications for the physical layer of PCI Express on this device.

#### 2.20.4.3.1 PCI Express DC Physical Layer Transmitter Specifications

This section discusses the PCI Express DC physical layer transmitter specifications for 2.5 GT/s and 5 GT/s.

This table defines the PCI Express 2.0 (2.5 GT/s) DC specifications for the differential output at all transmitters. The parameters are specified at the component pins.

**Table 64. PCI Express 2.0 (2.5 GT/s) Differential Transmitter (Tx) Output DC Specifications**  
( $V_{DD} = 1.5\text{ V or }1.8\text{ V}$ )

For recommended operating conditions, see [Table 3](#).

Parameter	Symbol	Min	Typical	Max	Unit	Note
Differential peak-to-peak output voltage	$V_{TX-DIFFp-p}$	800	—	1200	mV	$V_{TX-DIFFp-p} = 2 \times  V_{TX-D+} - V_{TX-D-} $ See Note 1.
De-emphasized differential output voltage (ratio)	$V_{TX-DE-RATIO}$	3.0	3.5	4.0	dB	Ratio of the $V_{TX-DIFFp-p}$ of the second and following bits after a transition divided by the $V_{TX-DIFFp-p}$ of the first bit after a transition. See Note 1.
DC differential Tx impedance	$Z_{TX-DIFF-DC}$	80	100	120	$\Omega$	Tx DC differential mode low Impedance

## Electrical Characteristics

**Table 64. PCI Express 2.0 (2.5 GT/s) Differential Transmitter (Tx) Output DC Specifications  
( $XV_{DD} = 1.5\text{ V}$  or  $1.8\text{ V}$ ) (continued)**

For recommended operating conditions, see [Table 3](#).

Parameter	Symbol	Min	Typical	Max	Unit	Note
Transmitter DC impedance	$Z_{TX-DC}$	40	50	60	$\Omega$	Required Tx D+ as well as D– DC Impedance during all states

**Note:**

1. Measured at the package pins with a test load of  $50\Omega$  to GND on each pin.

This table defines the PCI Express 2.0 (5 GT/s) DC specifications for the differential output at all transmitters. The parameters are specified at the component pins.

**Table 65. PCI Express 2.0 (5 GT/s) Differential Transmitter (Tx) Output DC Specifications  
( $XV_{DD} = 1.5\text{ V}$  or  $1.8\text{ V}$ )**

For recommended operating conditions, see [Table 3](#).

Parameter	Symbol	Min	Typical	Max	Unit	Note
Differential peak-to-peak output voltage	$V_{TX-DIFFp-p}$	800	—	1200	mV	$V_{TX-DIFFp-p} = 2 \times  V_{TX-D+} - V_{TX-D-} $ See Note 1.
Low power differential peak-to-peak output voltage	$V_{TX-DIFFp-p\_low}$	400	500	1200	mV	$V_{TX-DIFFp-p} = 2 \times  V_{TX-D+} - V_{TX-D-} $ See Note 1.
De-emphasized differential output voltage (ratio)	$V_{TX-DE-RATIO-3.5dB}$	3.0	3.5	4.0	dB	Ratio of the $V_{TX-DIFFp-p}$ of the second and following bits after a transition divided by the $V_{TX-DIFFp-p}$ of the first bit after a transition. See Note 1.
De-emphasized differential output voltage (ratio)	$V_{TX-DE-RATIO-6.0dB}$	5.5	6.0	6.5	dB	Ratio of the $V_{TX-DIFFp-p}$ of the second and following bits after a transition divided by the $V_{TX-DIFFp-p}$ of the first bit after a transition. See Note 1.
DC differential Tx impedance	$Z_{TX-DIFF-DC}$	80	100	120	$\Omega$	Tx DC differential mode low impedance
Transmitter DC Impedance	$Z_{TX-DC}$	40	50	60	$\Omega$	Required Tx D+ as well as D– DC impedance during all states

**Note:**

1. Measured at the package pins with a test load of  $50\Omega$  to GND on each pin.

### 2.20.4.4 PCI Express DC Physical Layer Receiver Specifications

This section discusses the PCI Express DC physical layer receiver specifications 2.5 GT/s, and 5 GT/s.

This table defines the DC specifications for the PCI Express 2.0 (2.5 GT/s) differential input at all receivers. The parameters are specified at the component pins.

**Table 66. PCI Express 2.0 (2.5 GT/s) Differential Receiver (Rx) Input DC Specifications ( $XV_{DD} = 1.5\text{ V}$  or  $1.8\text{ V}$ )**

For recommended operating conditions, see [Table 3](#).

Parameter	Symbol	Min	Typ	Max	Unit	Note
Differential input peak-to-peak voltage	$V_{RX-DIFFp-p}$	120	—	1200	mV	$V_{RX-DIFFp-p} = 2 \times  V_{RX-D+} - V_{RX-D-} $ See Note 1.
DC differential input impedance	$Z_{RX-DIFF-DC}$	80	100	120	$\Omega$	Rx DC differential mode impedance. See Note 2
DC input impedance	$Z_{RX-DC}$	40	50	60	$\Omega$	Required Rx D+ as well as D- DC Impedance ( $50 \pm 20\%$ tolerance). See Notes 1 and 2.
Powered down DC input impedance	$Z_{RX-HIGH-IMP-DC}$	50 k	—	—	$\Omega$	Required Rx D+ as well as D- DC Impedance when the receiver terminations do not have power. See Note 3.
Electrical idle detect threshold	$V_{RX-IDLE-DET-DIFFp-p}$	65	—	175	mV	$V_{RX-IDLE-DET-DIFFp-p} = 2 \times  V_{RX-D+} - V_{RX-D-} $ Measured at the package pins of the receiver

**Note:**

1. Measured at the package pins with a test load of  $50\Omega$  to GND on each pin.
2. Impedance during all LTSSM states. When transitioning from a fundamental reset to detect (the initial state of the LTSSM) there is a 5 ms transition time before receiver termination values must be met on all unconfigured lanes of a port.
3. The Rx DC common mode impedance that exists when no power is present or fundamental reset is asserted. This helps ensure that the receiver detect circuit does not falsely assume a receiver is powered on when it is not. This term must be measured at 300 mV above the Rx ground.

This table defines the DC specifications for the PCI Express 2.0 (5 GT/s) differential input at all receivers. The parameters are specified at the component pins.

**Table 67. PCI Express 2.0 (5 GT/s) Differential Receiver (Rx) Input DC Specifications ( $XV_{DD} = 1.5\text{ V}$  or  $1.8\text{ V}$ )**

For recommended operating conditions, see [Table 3](#).

Parameter	Symbol	Min	Typ	Max	Unit	Note
Differential input peak-to-peak voltage	$V_{RX-DIFFp-p}$	120	—	1200	V	$V_{RX-DIFFp-p} = 2 \times  V_{RX-D+} - V_{RX-D-} $ See Note 1.
DC differential input impedance	$Z_{RX-DIFF-DC}$	80	100	120	$\Omega$	Rx DC Differential mode impedance. See Note 2
DC input impedance	$Z_{RX-DC}$	40	50	60	$\Omega$	Required Rx D+ as well as D- DC Impedance ( $50 \pm 20\%$ tolerance). See Notes 1 and 2.
Powered down DC input impedance	$Z_{RX-HIGH-IMP-DC}$	50	—	—	k $\Omega$	Required Rx D+ as well as D- DC Impedance when the Receiver terminations do not have power. See Note 3.

## Electrical Characteristics

**Table 67. PCI Express 2.0 (5 GT/s) Differential Receiver (Rx) Input DC Specifications ( $V_{DD} = 1.5 \text{ V}$  or  $1.8 \text{ V}$ ) (continued)**

Parameter	Symbol	Min	Typ	Max	Unit	Note
Electrical idle detect threshold	$V_{RX-IDLE-DET-DIFFp-p}$	65	—	175	mV	$V_{RX-IDLE-DET-DIFFp-p} = 2 \times  V_{RX-D+} - V_{RX-D-} $ Measured at the package pins of the receiver

**Note:**

1. Measured at the package pins with a test load of  $50 \Omega$  to GND on each pin.
2. Impedance during all LTSSM states. When transitioning from a fundamental reset to detect (the initial state of the LTSSM) there is a 5 ms transition time before receiver termination values must be met on all unconfigured lanes of a port.
3. The Rx DC common mode impedance that exists when no power is present or fundamental reset is asserted. This helps ensure that the receiver detect circuit does not falsely assume a receiver is powered on when it is not. This term must be measured at 300 mV above the Rx ground.

### 2.20.4.5 PCI Express AC Physical Layer Specifications

This section contains the DC specifications for the physical layer of PCI Express on this device.

#### 2.20.4.5.1 PCI Express AC Physical Layer Transmitter Specifications

This section discusses the PCI Express AC physical layer transmitter specifications 2.5 GT/s and 5 GT/s.

This table defines the PCI Express 2.0 (2.5 GT/s) AC specifications for the differential output at all transmitters. The parameters are specified at the component pins. The AC timing specifications do not include RefClk jitter.

**Table 68. PCI Express 2.0 (2.5 GT/s) Differential Transmitter (Tx) Output AC Specifications**

For recommended operating conditions, see [Table 3](#).

Parameter	Symbol	Min	Typ	Max	Unit	Note
Unit interval	UI	399.88	400	400.12	ps	Each UI is $400 \text{ ps} \pm 300 \text{ ppm}$ . UI does not account for spread spectrum clock dictated variations. See note 1.
Minimum Tx eye width	$T_{TX-EYE}$	0.75	—	—	UI	The maximum transmitter jitter can be derived as $T_{TX-MAX-JITTER} = 1 - T_{TX-EYE} = 0.25 \text{ UI}$ . Does not include spread spectrum or RefCLK jitter. Includes device random jitter at $10^{-12}$ . See notes 2 and 3.
Maximum time between the jitter median and maximum deviation from the median	$T_{TX-EYE-MEDIAN-TO-MAX-JITTER}$	—	—	0.125	UI	Jitter is defined as the measurement variation of the crossing points ( $V_{TX-DIFFp-p} = 0 \text{ V}$ ) in relation to a recovered Tx UI. A recovered Tx UI is calculated over 3500 consecutive unit intervals of sample data. Jitter is measured using all edges of the 250 consecutive UI in the center of the 3500 UI used for calculating the Tx UI. See notes 2 and 3.
AC coupling capacitor	$C_{TX}$	75	—	200	nF	All transmitters must be AC coupled. The AC coupling is required either within the media or within the transmitting component itself. See note 4.

**Table 68. PCI Express 2.0 (2.5 GT/s) Differential Transmitter (Tx) Output AC Specifications (continued)**

For recommended operating conditions, see Table 3.

Parameter	Symbol	Min	Typ	Max	Unit	Note
-----------	--------	-----	-----	-----	------	------

**Note:**

1. No test load is necessarily associated with this value.
2. Specified at the measurement point into a timing and voltage test load as shown in Figure 40 and measured over any 250 consecutive Tx UIs.
3. A  $T_{TX-EYE} = 0.75$  UI provides for a total sum of deterministic and random jitter budget of  $T_{TX-JITTER-MAX} = 0.25$  UI for the transmitter collected over any 250 consecutive Tx UIs. The  $T_{TX-EYE-MEDIAN-to-MAX-JITTER}$  median is less than half of the total Tx jitter budget collected over any 250 consecutive Tx UIs. It must be noted that the median is not the same as the mean. The jitter median describes the point in time where the number of jitter points on either side is approximately equal as opposed to the averaged time value.
4. The chip's SerDes transmitter does not have  $C_{TX}$  built-in. An external AC coupling capacitor is required.

This table defines the PCI Express 2.0 (5 GT/s) AC specifications for the differential output at all transmitters. The parameters are specified at the component pins. The AC timing specifications do not include RefClk jitter.

**Table 69. PCI Express 2.0 (5 GT/s) Differential Transmitter (Tx) Output AC Specifications**

For recommended operating conditions, see Table 3.

Parameter	Symbol	Min	Typ	Max	Unit	Note
Unit interval	UI	199.94	200.00	200.06	ps	Each UI is 400 ps $\pm$ 300 ppm. UI does not account for spread spectrum clock dictated variations. See note 1.
Minimum Tx eye width	$T_{TX-EYE}$	0.75	—	—	UI	The maximum transmitter jitter can be derived as: $T_{TX-MAX-JITTER} = 1 - T_{TX-EYE} = 0.25$ UI. See Notes 2 and 3.
Tx RMS deterministic jitter > 1.5 MHz	$T_{TX-HF-DJ-DD}$	—	—	0.15	ps	—
Tx RMS deterministic jitter < 1.5 MHz	$T_{TX-LF-RMS}$	—	3.0	—	ps	Reference input clock RMS jitter (< 1.5 MHz) at pin < 1 ps
AC coupling capacitor	$C_{TX}$	75	—	200	nF	All transmitters must be AC coupled. The AC coupling is required either within the media or within the transmitting component itself. See note 4.

**Note:**

1. No test load is necessarily associated with this value.
2. Specified at the measurement point into a timing and voltage test load as shown in Figure 40 and measured over any 250 consecutive Tx UIs.
3. A  $T_{TX-EYE} = 0.75$  UI provides for a total sum of deterministic and random jitter budget of  $T_{TX-JITTER-MAX} = 0.25$  UI for the Transmitter collected over any 250 consecutive Tx UIs. The  $T_{TX-EYE-MEDIAN-to-MAX-JITTER}$  median is less than half of the total Tx jitter budget collected over any 250 consecutive Tx UIs. It must be noted that the median is not the same as the mean. The jitter median describes the point in time where the number of jitter points on either side is approximately equal as opposed to the averaged time value.
4. The chip's SerDes transmitter does not have  $C_{TX}$  built-in. An external AC coupling capacitor is required.

### 2.20.4.5.2 PCI Express AC Physical Layer Receiver Specifications

This section discusses the PCI Express AC physical layer receiver specifications 2.5 GT/s and 5 GT/s.

## Electrical Characteristics

This table defines the AC specifications for the PCI Express 2.0 (2.5 GT/s) differential input at all receivers. The parameters are specified at the component pins. The AC timing specifications do not include RefClk jitter.

**Table 70. PCI Express 2.0 (2.5 GT/s) Differential Receiver (Rx) Input AC Specifications**

For recommended operating conditions, see [Table 3](#).

Parameter	Symbol	Min	Typ	Max	Unit	Note
Unit Interval	UI	399.88	400.00	400.12	ps	Each UI is 400 ps ± 300 ppm. UI does not account for spread spectrum clock dictated variations. See note 1.
Minimum receiver eye width	T <sub>RX-EYE</sub>	0.4	—	—	UI	The maximum interconnect media and Transmitter jitter that can be tolerated by the Receiver can be derived as T <sub>RX-MAX-JITTER</sub> = 1 – T <sub>RX-EYE</sub> = 0.6 UI. See Notes 2 and 3.
Maximum time between the jitter median and maximum deviation from the median.	T <sub>RX-EYE-MEDIAN-to-MAX-JITTER</sub>	—	—	0.3	UI	Jitter is defined as the measurement variation of the crossing points (V <sub>RX-DIFFp-p</sub> = 0 V) in relation to a recovered Tx UI. A recovered Tx UI is calculated over 3500 consecutive unit intervals of sample data. Jitter is measured using all edges of the 250 consecutive UI in the center of the 3500 UI used for calculating the Tx UI. See Notes 2, 3, and 4.

### Note:

1. No test load is necessarily associated with this value.
2. Specified at the measurement point and measured over any 250 consecutive UIs. The test load in [Figure 40](#) must be used as the Rx device when taking measurements. If the clocks to the Rx and Tx are not derived from the same reference clock, the Tx UI recovered from 3500 consecutive UI must be used as a reference for the eye diagram.
3. A T<sub>RX-EYE</sub> = 0.40 UI provides for a total sum of 0.60 UI deterministic and random jitter budget for the transmitter and interconnect collected any 250 consecutive UIs. The TRX-EYE-MEDIAN-to-MAX-JITTER specification ensures a jitter distribution in which the median and the maximum deviation from the median is less than half of the total. UI jitter budget collected over any 250 consecutive Tx UIs. It must be noted that the median is not the same as the mean. The jitter median describes the point in time where the number of jitter points on either side is approximately equal as opposed to the averaged time value. If the clocks to the Rx and Tx are not derived from the same reference clock, the Tx UI recovered from 3500 consecutive UI must be used as the reference for the eye diagram.
4. It is recommended that the recovered Tx UI is calculated using all edges in the 3500 consecutive UI interval with a fit algorithm using a minimization merit function. Least squares and median deviation fits have worked well with experimental and simulated data.

This table defines the AC specifications for the PCI Express 2.0 (5 GT/s) differential input at all receivers. The parameters are specified at the component pins. The AC timing specifications do not include RefClk jitter.

**Table 71. PCI Express 2.0 (5 GT/s) Differential Receiver (Rx) Input AC Specifications**

For recommended operating conditions, see [Table 3](#).

Parameter	Symbol	Min	Typ	Max	Unit	Note
Unit Interval	UI	199.40	200.00	200.06	ps	Each UI is 400 ps ±300 ppm. UI does not account for spread spectrum clock dictated variations. See note 1.
Max Rx inherent timing error	T <sub>RX-TJ-CC</sub>	—	—	0.4	UI	The maximum inherent total timing error for common RefClk Rx architecture
Maximum time between the jitter median and maximum deviation from the median	T <sub>RX-TJ-DC</sub>	—	—	0.34	UI	Max Rx inherent total timing error



**Table 71. PCI Express 2.0 (5 GT/s) Differential Receiver (Rx) Input AC Specifications (continued)**

For recommended operating conditions, see Table 3.

Parameter	Symbol	Min	Typ	Max	Unit	Note
Max Rx inherent deterministic timing error	$T_{RX-DJ-DD-CC}$	—	—	0.30	UI	The maximum inherent deterministic timing error for common RefClk Rx architecture
Max Rx inherent deterministic timing error	$T_{RX-DJ-DD-DC}$	—	—	0.24	UI	The maximum inherent deterministic timing error for common RefClk Rx architecture

**Note:**

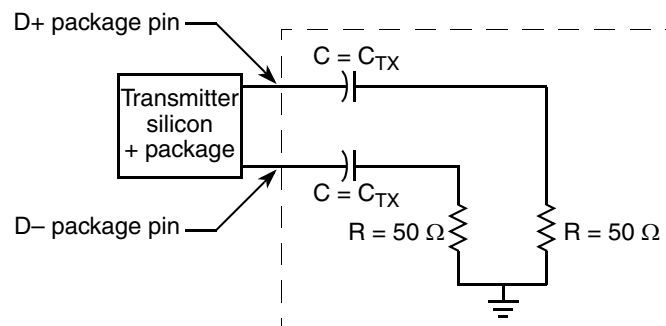
1. No test load is necessarily associated with this value.

### 2.20.4.6 Test and Measurement Load

The AC timing and voltage parameters must be verified at the measurement point. The package pins of the device must be connected to the test/measurement load within 0.2 inches of that load, as shown in this figure.

**NOTE**

The allowance of the measurement point to be within 0.2 inches of the package pins is meant to acknowledge that package/board routing may benefit from D+ and D– not being exactly matched in length at the package pin boundary. If the vendor does not explicitly state where the measurement point is located, the measurement point is assumed to be the D+ and D– package pins.

**Figure 40. Test/Measurement Load**

### 2.20.5 Serial RapidIO (sRIO)

This section describes the DC and AC electrical specifications for the Serial RapidIO interface of the LP-Serial physical layer. The electrical specifications cover both single and multiple-lane links. Two transmitters (short run and long run) and a single receiver are specified for each of three baud rates: 2.50, 3.125, and 5 GBaud.

Two transmitter specifications allow for solutions ranging from simple board-to-board interconnect to driving two connectors across a backplane. A single receiver specification is given that accepts signals from both the short run and long run transmitter specifications.

The short run transmitter must be used mainly for chip-to-chip connections on either the same printed circuit board or across a single connector. This covers the case where connections are made to a mezzanine (daughter) card. The minimum swings of the short run specification reduce the overall power used by the transceivers.

## Electrical Characteristics

The long run transmitter specifications use larger voltage swings that are capable of driving signals across backplanes. This allows a user to drive signals across two connectors and a backplane. The specifications allow a distance of at least 50 cm at all baud rates.

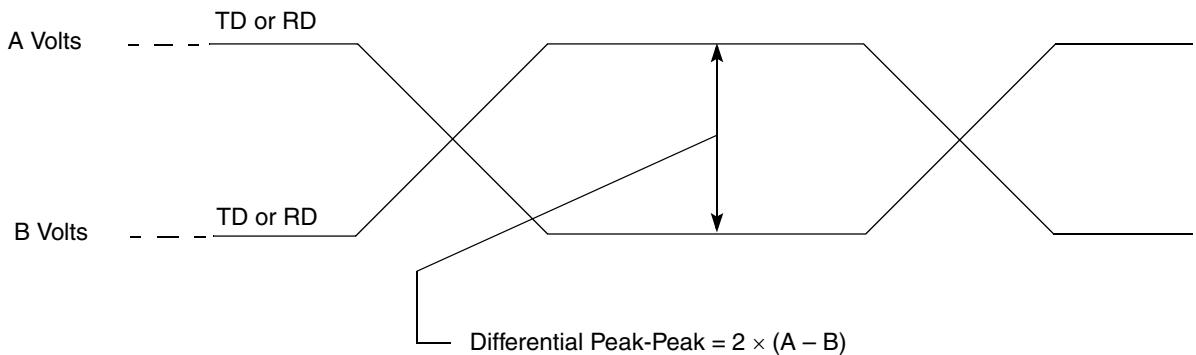
All unit intervals are specified with a tolerance of  $\pm 100$  ppm. The worst case frequency difference between any transmit and receive clock is 200 ppm.

To ensure interoperability between drivers and receivers of different vendors and technologies, AC coupling at the receiver input must be used.

### 2.20.5.1 Signal Definitions

This section defines the terms used in the description and specification of the differential signals used by the LP-Serial links. This figure shows how the signals are defined. The figures show waveforms for either a transmitter output (TD and  $\overline{\text{TD}}$ ) or a receiver input (RD and  $\overline{\text{RD}}$ ). Each signal swings between A volts and B volts where  $A > B$ . Using these waveforms, the definitions are as follows:

- The transmitter output signals and the receiver input signals—TD,  $\overline{\text{TD}}$ , RD, and  $\overline{\text{RD}}$ —each have a peak-to-peak swing of  $A - B$  volts.
- The differential output signal of the transmitter,  $V_{\text{OD}}$ , is defined as  $V_{\text{TD}} - V_{\overline{\text{TD}}}$
- The differential input signal of the receiver,  $V_{\text{ID}}$ , is defined as  $V_{\text{RD}} - V_{\overline{\text{RD}}}$
- The differential output signal of the transmitter and the differential input signal of the receiver each range from  $A - B$  to  $-(A - B)$  volts
- The peak value of the differential transmitter output signal and the differential receiver input signal is  $A - B$  volts.
- The peak-to-peak value of the differential transmitter output signal and the differential receiver input signal is  $2 \times (A - B)$  volts.



**Figure 41. Differential Peak-Peak Voltage of Transmitter or Receiver**

To illustrate these definitions using real values, consider the case of a CML (current mode logic) transmitter that has a common mode voltage of 2.25 V, and each of its outputs, TD and  $\overline{\text{TD}}$ , has a swing that goes between 2.5 V and 2.0 V. Using these values, the peak-to-peak voltage swing of the signals TD and  $\overline{\text{TD}}$  is 500 mV p-p. The differential output signal ranges between 500 mV and  $-500$  mV. The peak differential voltage is 500 mV. The peak-to-peak differential voltage is 1000 mV p-p.

### 2.20.5.2 Equalization

With the use of high-speed serial links, the interconnect media causes degradation of the signal at the receiver and produces effects such as inter-symbol interference (ISI) or data-dependent jitter. This loss can be large enough to degrade the eye opening at the receiver beyond what is allowed in the specification. To negate a portion of these effects, equalization can be used. The most common equalization techniques that can be used are as follows:

- Pre-emphasis on the transmitter
- A passive high-pass filter network placed at the receiver, often referred to as passive equalization.

- The use of active circuits in the receiver, often referred to as adaptive equalization.

### 2.20.5.3 Serial RapidIO Clocking Requirements for SD\_REF\_CLK<sub>n</sub> and SD\_REF\_CLK<sub>n</sub>

SerDes bank 1 (SD\_REF\_CLK1 and  $\overline{\text{SD\_REF\_CLK1}}$ ) may be used for various SerDes Serial RapidIO configurations based on the RCW configuration field SRDS\_PRTCL. Serial RapidIO is not supported on SerDes banks 2.

For more information on these specifications, see [Section 2.20.2, “SerDes Reference Clocks.”](#)

### 2.20.5.4 DC Requirements for Serial RapidIO

This section explains the DC requirements for the Serial RapidIO interface.

#### 2.20.5.4.1 DC Serial RapidIO Timing Transmitter Specifications

LP-Serial transmitter electrical and timing specifications are stated in the text and tables of this section.

The differential return loss, S11, of the transmitter in each case is better than the following:

- $-10 \text{ dB}$  for  $(\text{Baud Frequency}) \div 10 < \text{Freq}(f) < 625 \text{ MHz}$
- $-10 \text{ dB} + 10 \log(f \div 625 \text{ MHz}) \text{ dB}$  for  $625 \text{ MHz} \leq \text{Freq}(f) \leq \text{Baud Frequency}$

The reference impedance for the differential return loss measurements is 100- $\Omega$  resistive. Differential return loss includes contributions from on-chip circuitry, chip packaging, and any off-chip components related to the driver. The output impedance requirement applies to all valid output levels.

It is recommended that the 20%–80% rise/fall time of the transmitter, as measured at the transmitter output, have a minimum value 60 ps in each case.

It is recommended that the timing skew at the output of an LP-Serial transmitter between the two signals that comprise a differential pair not exceed 20 ps at 2.50 GBaud and 15 ps at 3.125 GBaud and XX ps at 5 GBaud.

This table defines the transmitter DC specifications for Serial RapidIO operating at  $XV_{DD} = 1.5 \text{ V}$  or  $1.8 \text{ V}$ .

**Table 72. Serial RapidIO Transmitter DC Timing Specifications—2.5 GBaud, 3.125 GBaud, 5 GBaud**

For recommended operating conditions, see [Table 3](#).

Parameter	Symbol	Min	Typ	Max	Unit	Note
Output voltage	$V_O$	-0.40	—	2.30	V	1
Long-run differential output voltage	$V_{\text{DIFFPP}}$	800	—	1600	mV p-p	—
Short-run differential output voltage	$V_{\text{DIFFPP}}$	500	—	1000	mV p-p	—

**Note:**

1. Voltage relative to COMMON of either signal comprising a differential pair.

#### 2.20.5.4.2 DC Serial RapidIO Receiver Specifications

LP-Serial receiver electrical and timing specifications are stated in the text and tables of this section.

Receiver input impedance results in a differential return loss better than 10 dB and a common mode return loss better than 6 dB from 100 MHz to  $(0.8) \times (\text{Baud Frequency})$ . This includes contributions from on-chip circuitry, the chip package, and any off-chip components related to the receiver. AC coupling components are included in this requirement. The reference impedance for return loss measurements is 100- $\Omega$  resistive for differential return loss and 25- $\Omega$  resistive for common mode.

## Electrical Characteristics

This table defines the receiver DC specifications for Serial RapidIO operating at  $XV_{DD} = 1.5\text{ V}$  or  $1.8\text{ V}$ .

**Table 73. Serial RapidIO Receiver DC Timing Specifications—2.5 GBaud, 3.125 GBaud, 5 GBaud**

For recommended operating conditions, see [Table 3](#).

Parameter	Symbol	Min	Typ	Max	Unit	Note
Differential input voltage	$V_{IN}$	200	—	1600	mV p-p	1

**Note:**

1. Measured at the receiver.

### 2.20.5.5 AC Requirements for Serial RapidIO

This section explains the AC requirements for the Serial RapidIO interface.

#### 2.20.5.5.1 AC Requirements for Serial RapidIO Transmitter

This table defines the transmitter AC specifications for the Serial RapidIO interface. The AC timing specifications do not include RefClk jitter.

**Table 74. Serial RapidIO Transmitter AC Timing Specifications**

For recommended operating conditions, see [Table 3](#).

Parameter	Symbol	Min	Typical	Max	Unit
Deterministic jitter	$J_D$	—	—	0.17	UI p-p
Total jitter	$J_T$	—	—	0.35	UI p-p
Unit interval: 2.5 GBaud	UI	400 – 100ppm	400	400 + 100ppm	ps
Unit interval: 3.125 GBaud	UI	320 – 100ppm	320	320 + 100ppm	ps

This table defines the receiver AC specifications for Serial RapidIO. The AC timing specifications do not include RefClk jitter.

**Table 75. Serial RapidIO Receiver AC Timing Specifications**

For recommended operating conditions, see [Table 3](#).

Parameter	Symbol	Min	Typical	Max	Unit	Note
Deterministic jitter tolerance	$J_D$	0.37	—	—	UI p-p	1
Combined deterministic and random jitter tolerance	$J_{DR}$	0.55	—	—	UI p-p	1
Total jitter tolerance <sup>2</sup>	$J_T$	0.65	—	—	UI p-p	1
Bit error rate	BER	—	—	$10^{-12}$	—	—
Unit interval: 2.5 GBaud	UI	400 – 100ppm	400	400 + 100ppm	ps	—
Unit interval: 3.125 GBaud	UI	320 – 100ppm	320	320 + 100ppm	ps	—

**Note:**

1. Measured at receiver
2. Total jitter is composed of three components: deterministic jitter, random jitter, and single frequency sinusoidal jitter. The sinusoidal jitter may have any amplitude and frequency in the unshaded region of [Figure 42](#). The sinusoidal jitter component is included to ensure margin for low-frequency jitter, wander, noise, crosstalk, and other variable system effects.

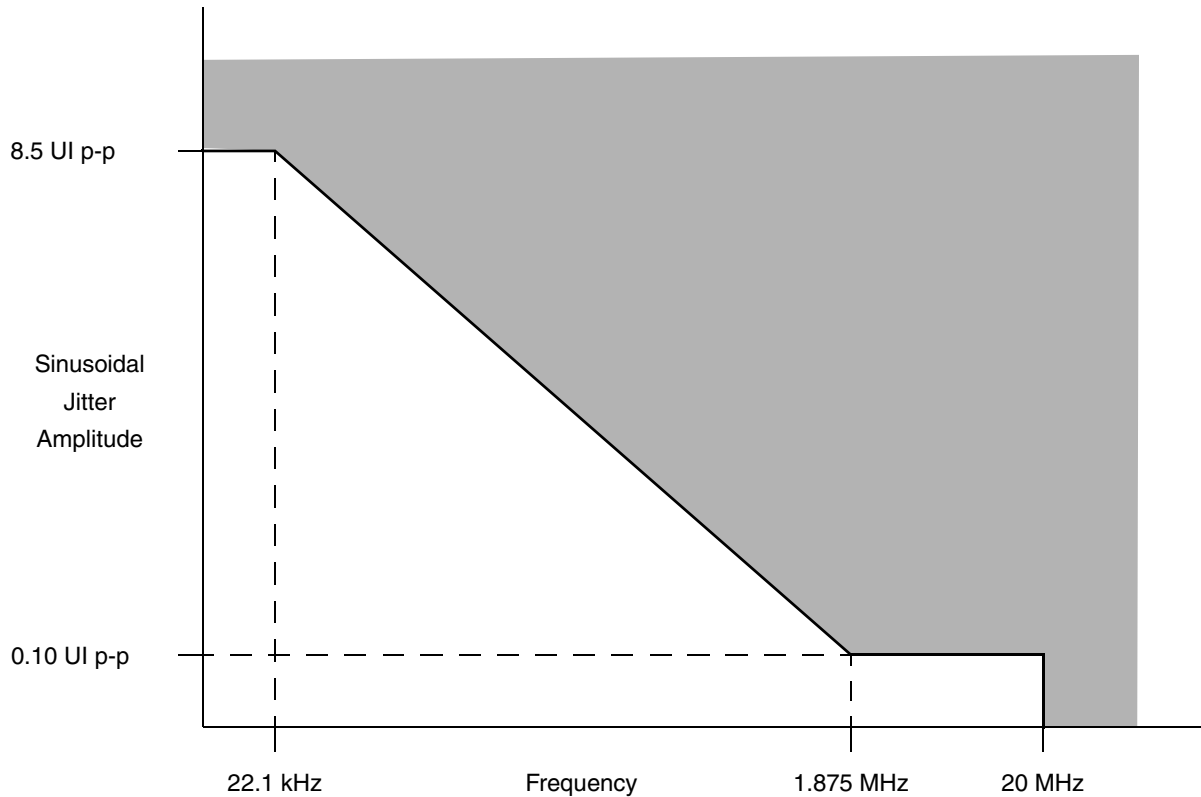


Figure 42. Single-Frequency Sinusoidal Jitter Limits

## 2.20.6 XAUI

This section describes the DC and AC electrical specifications for the XAUI bus.

### 2.20.6.1 XAUI DC Electrical Characteristics

This section discusses the XAUI DC electrical characteristics for the clocking signals, transmitter, and receiver.

#### 2.20.6.1.1 DC Requirements for XAUI $\overline{\text{SD\_REF\_CLK}}_n$ and $\overline{\text{SD\_REF\_CLK}}_n$

Only SerDes banks 2-3 ( $\overline{\text{SD\_REF\_CLK}}[2:3]$  and  $\overline{\text{SD\_REF\_CLK}}[2:3]$ ) may be used for various SerDes XAUI configurations based on the RCW Configuration field SRDS\_PRTCL. XAUI is not supported on SerDes bank 1.

For more information on these specifications, see [Section 2.20.2.2, “DC Level Requirement for SerDes Reference Clocks.”](#)

## Electrical Characteristics

### 2.20.6.1.2 XAUI Transmitter DC Electrical Characteristics

This table defines the XAUI transmitter DC electrical characteristics.

**Table 76. XAUI Transmitter DC Electrical Characteristics ( $XV_{DD} = 1.5\text{ V}$  or  $1.8\text{ V}$ )**

For recommended operating conditions, see [Table 3](#).

Parameter	Symbol	Min	Typical	Max	Unit	Note
Output voltage	$V_O$	-0.40	—	2.30	V	1
Differential output voltage	$V_{DIFFPP}$	800	—	1600	mV p-p	—

**Note:**

1. Absolute output voltage limit

### 2.20.6.1.3 XAUI Receiver DC Electrical Characteristics

This table defines the XAUI receiver DC electrical characteristics.

**Table 77. XAUI Receiver DC Timing Specifications ( $XV_{DD} = 1.5\text{ V}$  or  $1.8\text{ V}$ )**

For recommended operating conditions, see [Table 3](#).

Parameter	Symbol	Min	Typical	Max	Unit	Note
Differential input voltage	$V_{IN}$	200	900	1600	mV p-p	1

**Note:**

1. Measured at the receiver.

## 2.20.6.2 XAUI AC Timing Specifications

This section discusses the XAUI AC timing specifications for the clocking signals, transmitter, and receiver.

### 2.20.6.2.1 AC Requirements for XAUI $\overline{SD\_REF\_CLKn}$ and $\overline{SD\_REF\_CLKn}$

This table specifies AC requirements for  $\overline{SD\_REF\_CLKn}$  and  $\overline{SD\_REF\_CLKn}$ , where  $n = [2:3]$ . Only SerDes banks 2-3 may be used for various SerDes XAUI configurations based on the RCW Configuration field SRDS\_PRTCL. XAUI is not supported on SerDes bank 1.

**Table 78. XAUI AC  $\overline{SD\_REF\_CLKn}$  and  $\overline{SD\_REF\_CLKn}$  Input Clock Requirements ( $SV_{DD} = 1.0\text{ V}$ )**

For recommended operating conditions, see [Table 3](#).

Parameter	Symbol	Min	Typ	Max	Unit	Note
$\overline{SD\_REF\_CLK}/\overline{SD\_REF\_CLK}$ frequency range	$t_{CLK\_REF}$	—	125/ 156.25	—	MHz	—
$\overline{SD\_REF\_CLK}/\overline{SD\_REF\_CLK}$ clock frequency tolerance	$t_{CLK\_TOL}$	-100	—	+100	ppm	—
$\overline{SD\_REF\_CLK}/\overline{SD\_REF\_CLK}$ reference clock duty cycle (measured at 1.6 V)	$t_{CLK\_DUTY}$	40	50	60	%	—
$\overline{SD\_REF\_CLK}/\overline{SD\_REF\_CLK}$ cycle to cycle jitter (period jitter at refClk input)	$t_{CLK\_CJ}$	—	—	100	ps	—
$\overline{SD\_REF\_CLK}/\overline{SD\_REF\_CLK}$ total reference clock jitter (peak-to-peak phase jitter at refClk input)	$t_{CLK\_PJ}$	-50	—	50	ps	—
$\overline{SD\_REF\_CLK}/\overline{SD\_REF\_CLK}$ rising/falling edge rate	$t_{CLKRR}/t_{CLKFR}$	1	—	4	V/ns	1

**Table 78. XAUI AC SD\_REF\_CLKn and  $\overline{\text{SD\_REF\_CLKn}}$  Input Clock Requirements (SV<sub>DD</sub> = 1.0 (continued)V) (continued)**

Parameter	Symbol	Min	Typ	Max	Unit	Note
Differential input high voltage	V <sub>IH</sub>	200	—	—	mV	2
Differential input low voltage	V <sub>IL</sub>	—	—	-200	mV	2
Rising edge rate (SD_REF_CLKn) to falling edge rate (SD_REF_CLKn) matching	Rise-Fall Matching	—	—	20	%	3, 4

**Note:**

1. Measured from -200 mV to +200 mV on the differential waveform (derived from SD\_REF\_CLKn minus  $\overline{\text{SD\_REF\_CLKn}}$ ). The signal must be monotonic through the measurement region for rise and fall time. The 400 mV measurement window is centered on the differential zero crossing. See [Figure 37](#).
2. Measurement taken from differential waveform
3. Measurement taken from single-ended waveform
4. Matching applies to rising edge for SD\_REF\_CLKn and falling edge rate for  $\overline{\text{SD\_REF\_CLKn}}$ . It is measured using a 200 mV window centered on the median cross point where SD\_REF\_CLKn rising meets  $\overline{\text{SD\_REF\_CLKn}}$  falling. The median cross point is used to calculate the voltage thresholds that the oscilloscope uses for the edge rate calculations. The rise edge rate of SD\_REF\_CLKn must be compared to the fall edge rate of  $\overline{\text{SD\_REF\_CLKn}}$ , the maximum allowed difference should not exceed 20% of the slowest edge rate. See [Figure 38](#).
- 5.

**2.20.6.2.2 XAUI Transmitter AC Timing Specifications**

This table defines the XAUI transmitter AC timing specifications. RefClk jitter is not included.

**Table 79. XAUI Transmitter AC Timing Specifications**

For recommended operating conditions, see [Table 3](#).

Parameter	Symbol	Min	Typical	Max	Unit	Note
Deterministic jitter	J <sub>D</sub>	—	—	0.17	UI p-p	—
Total jitter	J <sub>T</sub>	—	—	0.35	UI p-p	—
Unit Interval: 3.125 GBaud	UI	320 – 100 ppm	320	320 + 100 ppm	ps	—

**2.20.6.2.3 XAUI Receiver AC Timing Specifications**

This table defines the receiver AC specifications for XAUI. RefClk jitter is not included.

**Table 80. XAUI Receiver AC Timing Specifications**

For recommended operating conditions, see [Table 3](#).

Parameter	Symbol	Min	Typical	Max	Unit	Note
Deterministic jitter tolerance	J <sub>D</sub>	0.37	—	—	UI p-p	1
Combined deterministic and random jitter tolerance	J <sub>DR</sub>	0.55	—	—	UI p-p	1
Total jitter tolerance	J <sub>T</sub>	0.65	—	—	UI p-p	1,2
Bit error rate	BER	—	—	10 <sup>-12</sup>	—	—
Unit Interval: 3.125 GBaud	UI	320 – 100 ppm	320	320 + 100 ppm	ps	—

## Electrical Characteristics

**Table 80. XAUI Receiver AC Timing Specifications (continued)**

For recommended operating conditions, see [Table 3](#).

Parameter	Symbol	Min	Typical	Max	Unit	Note
-----------	--------	-----	---------	-----	------	------

**Note:**

1. Measured at receiver
2. Total jitter is composed of three components: deterministic jitter, random jitter, and single frequency sinusoidal jitter. The sinusoidal jitter may have any amplitude and frequency in the unshaded region of [Figure 42](#). The sinusoidal jitter component is included to ensure margin for low frequency jitter, wander, noise, crosstalk, and other variable system effects.

## 2.20.7 Aurora

This section describes the Aurora clocking requirements and AC and DC electrical characteristics.

### 2.20.7.1 Aurora DC Electrical Characteristics

This section describes the DC electrical characteristics for Aurora.

#### 2.20.7.1.1 Aurora DC Clocking Requirements for $\overline{SD\_REF\_CLKn}$ and $\overline{SD\_REF\_CLKn}$

Only SerDes bank 2 ( $\overline{SD\_REF\_CLK2}$  and  $\overline{SD\_REF\_CLK2}$ ) may be used for SerDes Aurora configurations based on the RCW configuration field SRDS\_PRTCL. Aurora is not supported on SerDes banks 1.

For more information on these specifications, see [Section 2.20.2, “SerDes Reference Clocks.”](#)

#### 2.20.7.1.2 Aurora Transmitter DC Electrical Characteristics

This table provides the Aurora transmitter DC electrical characteristics ( $XV_{DD} = 1.5\text{ V}$  or  $1.8\text{ V}$ ).

**Table 81. Aurora Transmitter DC Electrical Characteristics ( $XV_{DD} = 1.5\text{ V}$  or  $1.8\text{ V}$ )**

For recommended operating conditions, see [Table 3](#).

Parameter	Symbol	Min	Typical	Max	Unit
Differential output voltage	$V_{DIFFPP}$	800	—	1600	mV p-p

#### 2.20.7.1.3 Aurora Receiver DC Electrical Characteristics

This table provides the Aurora receiver DC electrical characteristics ( $XV_{DD} = 1.5\text{ V}$  or  $1.8\text{ V}$ ).

**Table 82. Aurora Receiver DC Electrical Characteristics ( $XV_{DD} = 1.5\text{ V}$  or  $1.8\text{ V}$ )**

For recommended operating conditions, see [Table 3](#).

Parameter	Symbol	Min	Typical	Max	Unit	Note
Differential input voltage	$V_{IN}$	120	900	1200	mV p-p	1

**Note:**

1. Measured at receiver

### 2.20.7.2 Aurora AC Timing Specifications

This section describes the AC timing specifications for Aurora.



### 2.20.7.2.1 Aurora AC Clocking Requirements for $\overline{\text{SD\_REF\_CLK}n}$ and $\overline{\text{SD\_REF\_CLK}n}$

Only SerDes bank 2 ( $\overline{\text{SD\_REF\_CLK}2}$  and  $\overline{\text{SD\_REF\_CLK}2}$ ) may be used for SerDes Aurora configurations based on the RCW configuration field SRDS\_PRTCL. Aurora is not supported on SerDes banks 1.

### 2.20.7.2.2 Aurora Transmitter AC Timing Specifications

This table defines the Aurora transmitter AC timing specifications. RefClk jitter is not included.

**Table 83. Aurora Transmitter AC Timing Specifications**

For recommended operating conditions, see [Table 3](#).

Parameter	Symbol	Min	Typical	Max	Unit
Deterministic jitter	$J_D$	—	—	0.17	UI p-p
Total jitter	$J_T$	—	—	0.35	UI p-p
Unit Interval: 2.5 GBaud	UI	400 – 100 ppm	400	400 + 100 ppm	ps
Unit Interval: 3.125 GBaud	UI	320 – 100 ppm	320	320 + 100 ppm	ps
Unit Interval: 5.0 GBaud	UI	200 – 100 ppm	200	200 + 100 ppm	ps

### 2.20.7.2.3 Aurora Receiver AC Timing Specifications

This table defines the Aurora receiver AC timing specifications. RefClk jitter is not included.

**Table 84. Aurora Receiver AC Timing Specifications**

For recommended operating conditions, see [Table 3](#).

Parameter	Symbol	Min	Typical	Max	Unit	Note
Deterministic jitter tolerance	$J_D$	0.37	—	—	UI p-p	1
Combined deterministic and random jitter tolerance	$J_{DR}$	0.55	—	—	UI p-p	1
Total jitter tolerance	$J_T$	0.65	—	—	UI p-p	1, 2
Bit error rate	BER	—	—	$10^{-12}$	—	—
Unit Interval: 2.5 GBaud	UI	400 – 100 ppm	400	400 + 100 ppm	ps	—
Unit Interval: 3.125 GBaud	UI	320 – 100 ppm	320	320 + 100 ppm	ps	—
Unit Interval: 5.0 GBaud	UI	200 – 100 ppm	200	200 + 100 ppm	ps	—

**Note:**

1. Measured at receiver
2. Total jitter is composed of three components: deterministic jitter, random jitter, and single frequency sinusoidal jitter. The sinusoidal jitter may have any amplitude and frequency in the unshaded region of [Figure 42](#). The sinusoidal jitter component is included to ensure margin for low frequency jitter, wander, noise, crosstalk and other variable system effects.

## 2.20.8 Serial ATA (SATA)

This section describes the DC and AC electrical specifications for the serial ATA (SATA) interface.

### 2.20.8.1 SATA DC Electrical Characteristics

This section describes the DC electrical characteristics for SATA.

## Electrical Characteristics

### 2.20.8.1.1 SATA DC Transmitter Output Characteristics

This table provides the DC differential transmitter output DC characteristics for the SATA interface at Gen1i or 1.5 Gbits/s transmission.

**Table 85. Gen1i/1.5G Transmitter (Tx) DC Specifications ( $XV_{DD} = 1.5\text{ V}$  or  $1.8\text{ V}$ )**

For recommended operating conditions, see [Table 3](#).

Parameter	Symbol	Min	Typ	Max	Unit	Note
Tx differential output voltage	$V_{SATA\_TXDIFF}$	400	—	600	mV p-p	1
Tx differential pair impedance	$Z_{SATA\_TXDIFFIM}$	85	100	115	$\Omega$	2

**Note:**

1. Terminated by  $50\ \Omega$  load.
2. DC impedance

This table provides the differential transmitter output DC characteristics for the SATA interface at Gen2i or 3.0 Gbits/s transmission.

**Table 86. Gen 2i/3G Transmitter (Tx) DC Specifications ( $XV_{DD} = 1.5\text{ V}$  or  $1.8\text{ V}$ )**

For recommended operating conditions, see [Table 3](#).

Parameter	Symbol	Min	Typ	Max	Unit	Note
Tx diff output voltage	$V_{SATA\_TXDIFF}$	400	—	700	mV p-p	1
Tx differential pair impedance	$Z_{SATA\_TXDIFFIM}$	85	100	115	$\Omega$	—

**Note:**

1. Terminated by  $50\ \Omega$  load.

### 2.20.8.1.2 SATA DC Receiver (Rx) Input Characteristics

This table provides the Gen1i or 1.5 Gbits/s differential receiver input DC characteristics for the SATA interface.

**Table 87. Gen1i/1.5 G Receiver (Rx) Input DC Specifications ( $XV_{DD} = 1.5\text{ V}$  or  $1.8\text{ V}$ )**

For recommended operating conditions, see [Table 3](#).

Parameter	Symbol	Min	Typical	Max	Unit	Note
Differential input voltage	$V_{SATA\_RXDIFF}$	240	—	600	mV p-p	1
Differential Rx input impedance	$Z_{SATA\_RXSEIM}$	85	100	115	$\Omega$	—
OOB signal detection threshold	$V_{SATA\_OOB}$	50	120	240	mV p-p	—

**Note:**

1. Voltage relative to common of either signal comprising a differential pair

This table provides the Gen2i or 3 Gbits/s differential receiver input DC characteristics for the SATA interface.

**Table 88. Gen2i/3 G Receiver (Rx) Input DC Specifications ( $XV_{DD} = 1.5\text{ V}$  or  $1.8\text{ V}$ )**

For recommended operating conditions, see [Table 3](#).

Parameter	Symbol	Min	Typical	Max	Unit	Note
Differential input voltage	$V_{SATA\_RXDIFF}$	275	—	750	mV p-p	1
Differential Rx input impedance	$Z_{SATA\_RXSEIM}$	85	100	115	$\Omega$	2

**Table 88. Gen2i/3 G Receiver (Rx) Input DC Specifications ( $XV_{DD} = 1.5\text{ V}$  or  $1.8\text{ V}$ ) (continued)**For recommended operating conditions, see [Table 3](#).

Parameter	Symbol	Min	Typical	Max	Unit	Note
OOB signal detection threshold	$V_{SATA\_OOB}$	75	120	240	mV p-p	2

**Note:**

1. Voltage relative to common of either signal comprising a differential pair
2. DC impedance

**2.20.8.2 SATA AC Timing Specifications**

This section discusses the SATA AC timing specifications.

**2.20.8.2.1 AC Requirements for SATA REF\_CLK**

The AC requirements for the SATA reference clock are listed in this table to be guaranteed by the customer's application design.

**Table 89. SATA Reference Clock Input Requirements**For recommended operating conditions, see [Table 3](#).

Parameter	Symbol	Min	Typ	Max	Unit	Note
SD_REF_CLK/ $\overline{\text{SD\_REF\_CLK}}$ frequency range	$t_{\text{CLK\_REF}}$	—	100/125	—	MHz	1
SD_REF_CLK/ $\overline{\text{SD\_REF\_CLK}}$ clock frequency tolerance	$t_{\text{CLK\_TOL}}$	-350	—	+350	ppm	—
SD_REF_CLK/ $\overline{\text{SD\_REF\_CLK}}$ reference clock duty cycle (measured at 1.6 V)	$t_{\text{CLK\_DUTY}}$	40	50	60	%	—
SD_REF_CLK/ $\overline{\text{SD\_REF\_CLK}}$ cycle-to-cycle clock jitter (period jitter)	$t_{\text{CLK\_CJ}}$	—	—	100	ps	2
SD_REF_CLK/ $\overline{\text{SD\_REF\_CLK}}$ total reference clock jitter, phase jitter (peak-peak)	$t_{\text{CLK\_PJ}}$	-50	—	+50	ps	2, 3, 4

**Note:**

1. **Caution:** Only 100, 125 MHz have been tested. In-between values do not work correctly with the rest of the system.
2. At RefClk input
3. In a frequency band from 150 kHz to 15 MHz at BER of  $10^{-12}$
4. Total peak-to-peak deterministic jitter must be less than or equal to 50 ps.

## Electrical Characteristics

This figure shows the reference clock timing waveform.

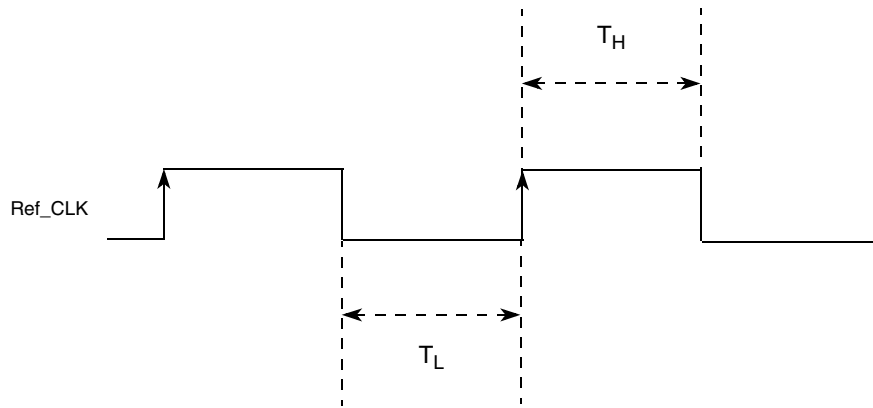


Figure 43. Reference Clock Timing Waveform

### 2.20.8.3 AC Transmitter Output Characteristics

This table provides the differential transmitter output AC characteristics for the SATA interface at Gen1i or 1.5 Gbits/s transmission. The AC timing specifications do not include RefClk jitter.

Table 90. Gen1i/1.5 G Transmitter (Tx) AC Specifications

For recommended operating conditions, see Table 3.

Parameter	Symbol	Min	Typ	Max	Unit	Note
Channel speed	$t_{CH\_SPEED}$	—	1.5	—	Gbps	—
Unit Interval	$T_{UI}$	666.4333	666.6667	670.2333	ps	—
Total jitter data-data 5 UI	$U_{SATA\_TXTJ5UI}$	—	—	0.355	UI p-p	1
Total jitter, data-data 250 UI	$U_{SATA\_TXTJ250UI}$	—	—	0.47	UI p-p	1
Deterministic jitter, data-data 5 UI	$U_{SATA\_TXDJ5UI}$	—	—	0.175	UI p-p	1
Deterministic jitter, data-data 250 UI	$U_{SATA\_TXDJ250UI}$	—	—	0.22	UI p-p	1

**Note:**

1. Measured at Tx output pins peak to peak phase variation, random data pattern

This table provides the differential transmitter output AC characteristics for the SATA interface at Gen2i or 3.0 Gbits/s transmission. The AC timing specifications do not include RefClk jitter.

Table 91. Gen 2i/3 G Transmitter (Tx) AC Specifications

For recommended operating conditions, see Table 3.

Parameter	Symbol	Min	Typ	Max	Unit	Note
Channel speed	$t_{CH\_SPEED}$	—	3.0	—	Gbps	—
Unit Interval	$T_{UI}$	333.2167	333.3333	335.1167	ps	—
Total jitter $f_{C3dB} = f_{BAUD} \div 10$	$U_{SATA\_TXTJfB/10}$	—	—	0.3	UI p-p	1
Total jitter $f_{C3dB} = f_{BAUD} \div 500$	$U_{SATA\_TXTJfB/500}$	—	—	0.37	UI p-p	1
Total jitter $f_{C3dB} = f_{BAUD} \div 1667$	$U_{SATA\_TXTJfB/1667}$	—	—	0.55	UI p-p	1

**Table 91. Gen 2i/3 G Transmitter (Tx) AC Specifications (continued)**For recommended operating conditions, see [Table 3](#).

Parameter	Symbol	Min	Typ	Max	Unit	Note
Deterministic jitter, $f_{C3dB} = f_{BAUD} \div 10$	$U_{SATA\_TXDJfB/10}$	—	—	0.17	UI p-p	1
Deterministic jitter, $f_{C3dB} = f_{BAUD} \div 500$	$U_{SATA\_TXDJfB/500}$	—	—	0.19	UI p-p	1
Deterministic jitter, $f_{C3dB} = f_{BAUD} \div 1667$	$U_{SATA\_TXDJfB/1667}$	—	—	0.35	UI p-p	1

**Note:**

1. Measured at Tx output pins peak-to-peak phase variation, random data pattern

**2.20.8.4 AC Differential Receiver Input Characteristics**

This table provides the Gen1i or 1.5 Gbits/s differential receiver input AC characteristics for the SATA interface. The AC timing specifications do not include RefClk jitter.

**Table 92. Gen 1i/1.5G Receiver (Rx) AC Specifications**For recommended operating conditions, see [Table 3](#).

Parameter	Symbol	Min	Typical	Max	Unit	Note
Unit Interval	$T_{UI}$	666.4333	666.6667	670.2333	ps	—
Total jitter data-data 5 UI	$U_{SATA\_TXTJ5UI}$	—	—	0.43	UI p-p	1
Total jitter, data-data 250 UI	$U_{SATA\_TXTJ250UI}$	—	—	0.60	UI p-p	1
Deterministic jitter, data-data 5 UI	$U_{SATA\_TXDJ5UI}$	—	—	0.25	UI p-p	1
Deterministic jitter, data-data 250 UI	$U_{SATA\_TXDJ250UI}$	—	—	0.35	UI p-p	1

**Note:**

1. Measured at receiver.

This table provides the differential receiver input AC characteristics for the SATA interface at Gen2i or 3.0 Gbits/s transmission. The AC timing specifications do not include RefClk jitter.

**Table 93. Gen 2i/3G Receiver (Rx) AC Specifications**For recommended operating conditions, see [Table 3](#).

Parameter	Symbol	Min	Typical	Max	Unit	Note
Unit Interval	$T_{UI}$	333.2167	333.3333	335.1167	ps	—
Total jitter $f_{C3dB} = f_{BAUD} \div 10$	$U_{SATA\_TXTJfB/10}$	—	—	0.46	UI p-p	1
Total jitter $f_{C3dB} = f_{BAUD} \div 500$	$U_{SATA\_TXTJfB/500}$	—	—	0.60	UI p-p	1
Total jitter $f_{C3dB} = f_{BAUD} \div 1667$	$U_{SATA\_TXTJfB/1667}$	—	—	0.65	UI p-p	1
Deterministic jitter, $f_{C3dB} = f_{BAUD} \div 10$	$U_{SATA\_TXDJfB/10}$	—	—	0.35	UI p-p	1
Deterministic jitter, $f_{C3dB} = f_{BAUD} \div 500$	$U_{SATA\_TXDJfB/500}$	—	—	0.42	UI p-p	1
Deterministic jitter, $f_{C3dB} = f_{BAUD} \div 1667$	$U_{SATA\_TXDJfB/1667}$	—	—	0.35	UI p-p	1

## Electrical Characteristics

**Table 93. Gen 2i/3G Receiver (Rx) AC Specifications (continued)**

For recommended operating conditions, see [Table 3](#).

Parameter	Symbol	Min	Typical	Max	Unit	Note
-----------	--------	-----	---------	-----	------	------

**Note:**

1. Measured at receiver.

### 2.20.9 SGMII Interface

Each SGMII port features a 4-wire AC-coupled serial link from the SerDes interface of the device, as shown in [Figure 44](#), where  $C_{TX}$  is the external (on board) AC-coupled capacitor. Each output pin of the SerDes transmitter differential pair features 50- $\Omega$  output impedance. Each input of the SerDes receiver differential pair features 50- $\Omega$  on-die termination to XGND. The reference circuit of the SerDes transmitter and receiver is shown in [Figure 39](#).

#### 2.20.9.0.1 SGMII Clocking Requirements for $\overline{SD\_REF\_CLKn}$ and $\overline{SD\_REF\_CLKn}$

When operating in SGMII mode, the EC\_GTX\_CLK125 clock is not required for this port. Instead, a SerDes reference clock is required on  $\overline{SD\_REF\_CLK[1:2]}$  and  $\overline{SD\_REF\_CLK[1:2]}$  pins. SerDes banks 1–2 may be used for SerDes SGMII configurations based on the RCW Configuration field SRDS\_PRTCL.

For more information on these specifications, see [Section 2.20.2, “SerDes Reference Clocks.”](#)

#### 2.20.9.1 SGMII DC Electrical Characteristics

This section discusses the electrical characteristics for the SGMII interface.

##### 2.20.9.1.1 SGMII Transmit DC Timing Specifications

This table describe the SGMII SerDes transmitter and receiver AC-coupled DC electrical characteristics for 1.25 GBaud. Transmitter DC characteristics are measured at the transmitter outputs ( $\overline{SD\_TXn}$  and  $\overline{SD\_TXn}$ ) as shown in [Figure 45](#).

**Table 94. SGMII DC Transmitter Electrical Characteristics ( $V_{DD} = 1.5\text{ V or }1.8\text{ V}$ )**

For recommended operating conditions, see [Table 3](#).

Parameter	Symbol	Min	Typ	Max	Unit	Note
Output high voltage	$V_{OH}$	—	—	$1.5 \times  V_{ODL\_max} $	mV	1
Output low voltage	$V_{OL}$	$ V_{ODL\_min} /2$	—	—	mV	1

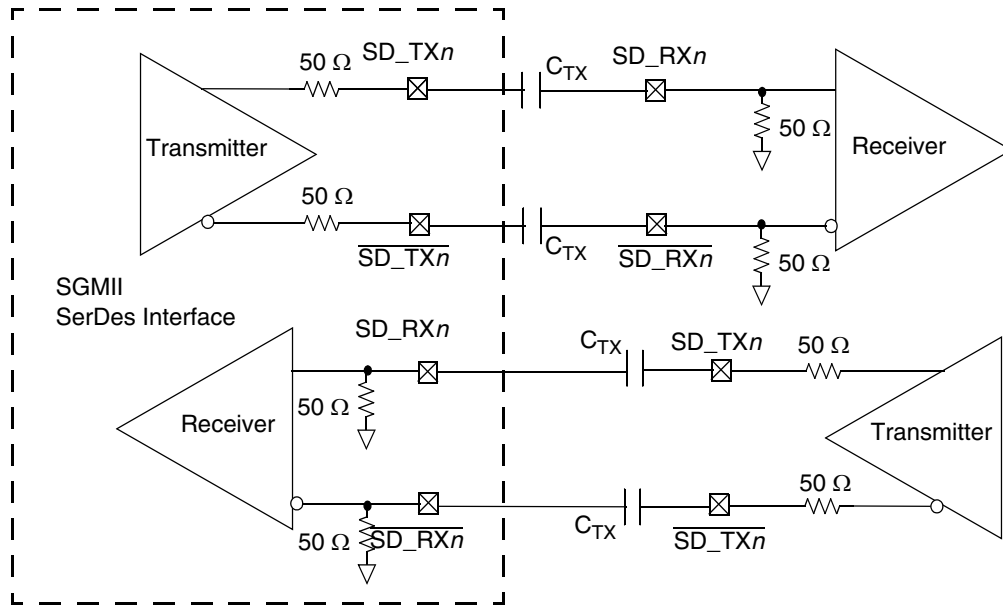
**Table 94. SGMII DC Transmitter Electrical Characteristics ( $XV_{DD} = 1.5\text{ V}$  or  $1.8\text{ V}$ ) (continued)**

For recommended operating conditions, see Table 3.

Parameter	Symbol	Min	Typ	Max	Unit	Note
Output differential voltage <sup>2, 3, 4</sup> ( $XV_{DD-Typ}$ at 1.5 V and 1.8 V)	$ V_{OD} $	320	500.0	725.0	mV	B(1-2)TECR(lane)0[AMP_RED] =0b000000
		293.8	459.0	665.6		B(1-2)TECR(lane)0[AMP_RED] =0b000010
		266.9	417.0	604.7		B(1-2)TECR(lane)0[AMP_RED] =0b000101
		240.6	376.0	545.2		B(1-2)TECR(lane)0[AMP_RED] =0b001000
		213.1	333.0	482.9		B(1-2)TECR(lane)0[AMP_RED] =0b001100
		186.9	292.0	423.4		B(1-2)TECR(lane)0[AMP_RED] =0b001111
		160.0	250.0	362.5		B(1-2)TECR(lane)0[AMP_RED] =0b010011
		Output impedance (single-ended)	$R_O$	40		50

**Note:**

- This does not align to DC-coupled SGMII.
- $V_{OD} = |V_{SD\_TXn} - V_{\overline{SD\_TXn}}|$ .  $|V_{OD}|$  is also referred to as output differential peak voltage.  $V_{TX-DIFFp-p} = 2 * |V_{OD}|$ .
- Example amplitude reduction setting for SGMII on SerDes bank 1 lane E: B1TECRE0[AMP\_RED] = 0b000010 for an output differential voltage of 459 mV typical.
- The  $|V_{OD}|$  value shown in the Typ column is based on the condition of  $XV_{DD\_SRDSn-Typ} = 1.5\text{ V}$  or  $1.8\text{ V}$ , no common mode offset variation. SerDes transmitter is terminated with  $100\text{-}\Omega$  differential load between  $SD\_TXn$  and  $\overline{SD\_TXn}$ .

**Figure 44. 4-Wire AC-Coupled SGMII Serial Link Connection Example**

## Electrical Characteristics

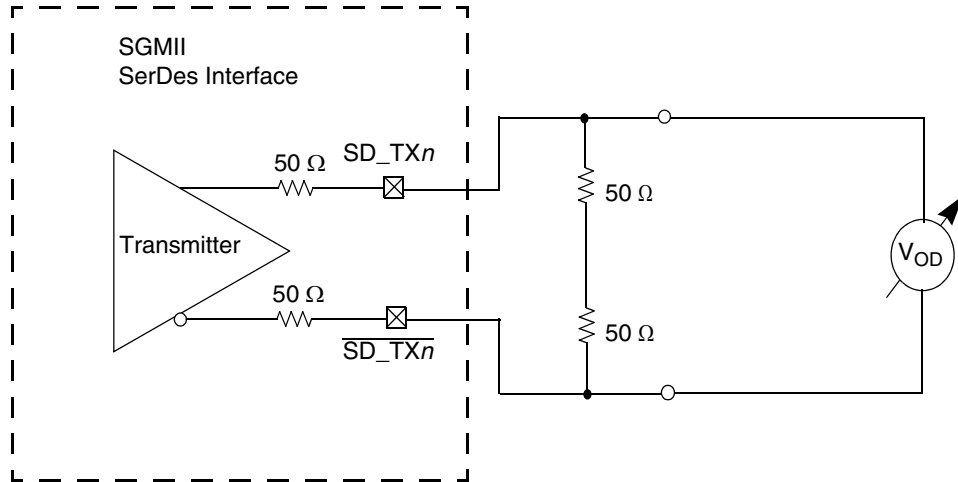


Figure 45. SGMII Transmitter DC Measurement Circuit

This table defines the SGMII 2.5x transmitter DC electrical characteristics for 3.125 GBaud.

Table 95. SGMII 2.5x Transmitter DC Electrical Characteristics ( $XV_{DD} = 1.5\text{ V or }1.8\text{ V}$ )

For recommended operating conditions, see Table 3.

Parameter	Symbol	Min	Typical	Max	Unit	Note
Output voltage	$V_O$	-0.40	—	2.30	V	1
Differential output voltage	$V_{DIFFPP}$	800	—	1600	mV p-p	—

**Note:**

1. Absolute output voltage limit

### 2.20.9.1.2 SGMII DC Receiver Electrical Characteristics

This table lists the SGMII DC receiver electrical characteristics for 1.25 GBaud. Source synchronous clocking is not supported. Clock is recovered from the data.

Table 96. SGMII DC Receiver Electrical Characteristics ( $XV_{DD} = 1.5\text{ V or }1.8\text{ V}$ )

For recommended operating conditions, see Table 3.

Parameter		Symbol	Min	Typ	Max	Unit	Note
DC Input voltage range		—	N/A			—	1
Input differential voltage	REIDL_CTL = 001xx	$V_{RX\_DIFFp-p}$	100	—	1200	mV	2, 4
	REIDL_CTL = 100xx		175	—			
Loss of signal threshold	REIDL_CTL = 001xx	$V_{LOS}$	30	—	100	mV	3, 4
	REIDL_CTL = 100xx		65	—	175		
Receiver differential input impedance		$Z_{RX\_DIFF}$	80	—	120	$\Omega$	—



**Table 96. SGMII DC Receiver Electrical Characteristics ( $XV_{DD} = 1.5\text{ V}$  or  $1.8\text{ V}$ ) (continued)**For recommended operating conditions, see [Table 3](#).

Parameter	Symbol	Min	Typ	Max	Unit	Note
-----------	--------	-----	-----	-----	------	------

**Note:**

1. Input must be externally AC coupled.
2.  $V_{RX\_DIFFp-p}$  is also referred to as peak-to-peak input differential voltage.
3. The concept of this parameter is equivalent to the electrical idle detect threshold parameter in PCI Express. Refer to [Section 2.20.4.4, “PCI Express DC Physical Layer Receiver Specifications,”](#) and [Section 2.20.4.5.2, “PCI Express AC Physical Layer Receiver Specifications,”](#) for further explanation.
4. The REIDL\_CTL shown in the table refers to the chip’s SerDes control register B(1–3)GCR(lane)1[REIDL\_CTL] bit field.

This table defines the SGMII 2.5x receiver DC electrical characteristics for 3.125 GBaud.

**Table 97. SGMII 2.5x Receiver DC Timing Specifications ( $XV_{DD} = 1.5\text{ V}$  or  $1.8\text{ V}$ )**For recommended operating conditions, see [Table 3](#).

Parameter	Symbol	Min	Typical	Max	Unit	Note
Differential input voltage	$V_{IN}$	200	900	1600	mV p-p	1

**Note:**

1. Measured at the receiver.

## 2.20.9.2 SGMII AC Timing Specifications

This section discusses the AC timing specifications for the SGMII interface.

### 2.20.9.2.1 SGMII Transmit AC Timing Specifications

This table provides the SGMII transmit AC timing specifications. A source synchronous clock is not supported. The AC timing specifications do not include RefClk jitter.

**Table 98. SGMII Transmit AC Timing Specifications**For recommended operating conditions, see [Table 3](#).

Parameter	Symbol	Min	Typ	Max	Unit	Note
Deterministic jitter	JD	—	—	0.17	UI p-p	—
Total jitter	JT	—	—	0.35	UI p-p	1
Unit interval: 1.25 GBaud	UI	800 – 100 ppm	800	800 + 100 ppm	ps	—
Unit interval: 3.125 GBaud	UI	320 – 100 ppm	320	320 + 100 ppm	ps	—
AC coupling capacitor	$C_{TX}$	10		200	nF	2

**Note:**

1. See [Figure 42](#) for single frequency sinusoidal jitter measurements.
2. The external AC coupling capacitor is required. It is recommended that it be placed near the device transmitter outputs.

### 2.20.9.2.2 SGMII AC Measurement Details

Transmitter and receiver AC characteristics are measured at the transmitter outputs ( $SD\_TXn$  and  $\overline{SD\_TXn}$ ) or at the receiver inputs ( $SD\_RXn$  and  $\overline{SD\_RXn}$ ) respectively, as depicted in this figure.

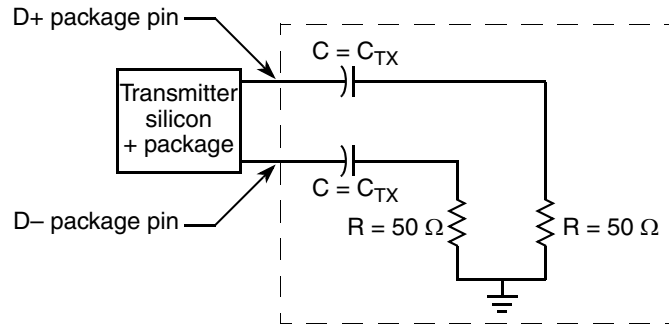


Figure 46. SGMII AC Test/Measurement Load

### 2.20.9.2.3 SGMII Receiver AC Timing Specification

This table provides the SGMII receiver AC timing specifications. The AC timing specifications do not include RefClk jitter. Source synchronous clocking is not supported. Clock is recovered from the data.

Table 99. SGMII Receive AC Timing Specifications

For recommended operating conditions, see Table 3.

Parameter	Symbol	Min	Typ	Max	Unit	Note
Deterministic jitter tolerance	JD	0.37	—	—	UI p-p	1, 2
Combined deterministic and random jitter tolerance	JDR	0.55	—	—	UI p-p	1, 2
Total jitter tolerance	JT	0.65	—	—	UI p-p	1, 2, 3
Bit error ratio	BER	—	—	$10^{-12}$	—	—
Unit Interval: 1.25 GBaud	UI	800 – 100 ppm	800	800 + 100 ppm	ps	1
Unit Interval: 3.125 GBaud	UI	320 – 100 ppm	320	320 + 100 ppm	ps	1

**Note:**

1. Measured at receiver
2. Refer to RapidIO™ 1×/4× LP Serial Physical Layer Specification for interpretation of jitter specifications.
3. Total jitter is composed of three components: deterministic jitter, random jitter, and single frequency sinusoidal jitter. The sinusoidal jitter may have any amplitude and frequency in the unshaded region of Figure 42. The sinusoidal jitter component is included to ensure margin for low frequency jitter, wander, noise, crosstalk and other variable system effects.

The sinusoidal jitter in the total jitter tolerance may have any amplitude and frequency in the unshaded region of Figure 42.

## 3 Hardware Design Considerations

This section discusses the hardware design considerations.

### 3.1 System Clocking

This section describes the PLL configuration of the device.

This device includes six PLLs, as follows:

- There are two selectable core cluster PLLs that generate a core clock from the externally supplied SYSCLK input. Core complex 0–1 and platform can select from CC1 PLL; core complex 2–3 can select from CC2 PLL. The frequency ratio between the core cluster PLLs and SYSCLK is selected using the configuration bits as described in Section 3.1.3,

“e500mc Core Cluster to SYSCLK PLL Ratio.” The frequency for each core complex 0–3 is selected using the configuration bits as described in Table 103.

- The platform PLL generates the platform clock from the externally supplied SYSCLK input. The frequency ratio between the platform and SYSCLK is selected using the platform PLL ratio configuration bits as described in Section 3.1.2, “Platform to SYSCLK PLL Ratio.”
- The DDR block PLL generates the DDR clock from the externally supplied SYSCLK input (asynchronous mode) or from the platform clock (synchronous mode). The frequency ratio is selected using the Memory Controller Complex PLL multiplier/ratio configuration bits as described in Section 3.1.5, “DDR Controller PLL Ratios.”
- Each of the three SerDes blocks has a PLL which generate a core clock from their respective externally supplied SD\_REF\_CLK $n$ /SD\_REF\_CLK $n$  inputs. The frequency ratio is selected using the SerDes PLL ratio configuration bits as described in Section 3.1.6, “Frequency Options.”

### 3.1.1 Clock Ranges

This table provides the clocking specifications for the processor core, platform, memory, and local bus.

**Table 100. Processor Clocking Specifications**

Parameter	Maximum Processor Core Frequency						Unit	Note
	1200 MHz		1333 MHz		1500 MHz			
	Min	Max	Min	Max	Min	Max		
e500mc core PLL frequency	800	1200	800	1333	800	1500	MHz	1,4
e500mc core frequency	400	1200	400	1333	400	1500	MHz	4
Platform clock frequency	600	600	600	667	600	750	MHz	1
Memory bus clock frequency	400	600	400	667	400	667	MHz	1,2,5,6
Local bus clock frequency	—	83	—	83	—	83	MHz	3
PME	—	300	—	333	—	375	MHz	7
FMan	—	500	—	541	—	583	MHz	—

**Note:**

1. **Caution:** The platform clock to SYSCLK ratio and e500-mc core to SYSCLK ratio settings must be chosen such that the resulting SYSCLK frequency, e500mc (core) frequency, and platform clock frequency do not exceed their respective maximum or minimum operating frequencies.
2. The memory bus clock speed is half the DDR3/DDR3L data rate. DDR3 memory bus clock frequency is limited to min = 400 MHz.
3. The local bus clock speed on LCLK[0:1] is determined by the platform clock divided by the local bus ratio programmed in LCRR[CLKDIV]. See the chip reference manual for more information.
4. The e500mc core can run at e500mc core complex PLL/1 or PLL/2. With a minimum core complex PLL frequency of 800 MHz, this results in a minimum allowable e500mc core frequency of 400 MHz for PLL/2.
5. In synchronous mode, the memory bus clock speed is half the platform clock frequency. In other words, the DDR data rate is the same as the platform frequency. If the desired DDR data rate is higher than the platform frequency, asynchronous mode must be used.
6. In asynchronous mode, the memory bus clock speed is dictated by its own PLL.
7. The PME runs synchronously to the platform clock, running at a frequency of platform clock/2.
8. Core frequency must be at least as fast as the platform frequency (Rev 1.1 silicon).

### 3.1.2 Platform to SYSCLK PLL Ratio

This table shows the allowed platform clock-to-SYSCLK ratios.

The chip platform clock frequency is always below 666 MHz frequencies; set the RCW configuration field `SYS_PLL_CFG = 0b01`.

**Table 101. Platform to SYSCLK PLL Ratios**

Binary Value of <code>SYS_PLL_RAT</code>	Platform:SYSCLK Ratio
0_0100	4:1
0_0101	5:1
0_0110	6:1
0_0111	7:1
0_1000	8:1
0_1001	9:1
0_1010	10:1
All Others	Reserved

### 3.1.3 e500mc Core Cluster to SYSCLK PLL Ratio

The clock ratio between SYSCLK and each of the two core cluster PLLs is determined at power up by the binary value of the RCW field `CCn_PLL_RAT`. This table describes the supported ratios. Note that a core cluster PLL frequency targeting 1 GHz and above must set RCW field `CCn_PLL_CFG = 0b00` for frequency targeting below 1 GHz set `CCn_PLL_CFG = 0b01`.

This table lists the supported Core Cluster to SYSCLK ratios.

**Table 102. e500mc Core Cluster PLL to SYSCLK Ratios**

Binary Value of <code>CCn_PLL_RAT</code>	Core Cluster:SYSCLK Ratio
0_1000	8:1
0_1001	9:1
0_1010	10:1
0_1011	11:1
0_1100	12:1
0_1101	13:1
0_1110	14:1
0_1111	15:1
1_0000	16:1
1_0001	17:1
1_0010	18:1
All Others	Reserved

### 3.1.4 e500mc Core Complex PLL Select

The clock frequency of each the e500mc core 0–3 complex is determined by the binary value of the RCW field `CCn_PLL_SEL`. These tables describe the supported ratios for each core complex 0–3, where each individual core complex can select a frequency from the table.

**Table 103. e500mc Core Complex [0,1] PLL Select**

Binary Value of <code>C<sub>n</sub>_PLL_SEL</code> for <code>n=[0,1]</code>	e500mc:Core Cluster Ratio
0000	CC1 PLL /1
0001	CC1 PLL /2
0100	CC2 PLL /1
All Others	Reserved

**Table 104. e500mc Core Complex [2,3] PLL Select**

Binary Value of <code>C<sub>n</sub>_PLL_SEL</code> for <code>n=[0,1]</code>	e500mc:Core Cluster Ratio
0000	CC1 PLL /1
0100	CC2 PLL /1
0101	CC2 PLL /2
All Others	Reserved

### 3.1.5 DDR Controller PLL Ratios

The single DDR memory controller complexes can be synchronous with or asynchronous to the platform, depending on configuration.

[Table 105](#) describes the clock ratio between the DDR memory controller PLLs and the externally supplied `SYSCLK` input (asynchronous mode) or from the platform clock (synchronous mode).

In asynchronous DDR mode, the DDR data rate to `SYSCLK` ratios supported are listed in this table. This ratio is determined by the binary value of the RCW configuration field `MEM_PLL_RAT[10:14]`.

The RCW configuration field `MEM_PLL_CFG[8:9]` must be set to `MEM_PLL_CFG[8:9] = 0b01` if the applied DDR PLL reference clock frequency is greater than the cutoff frequency listed in [Table 105](#) and [Table 106](#) for asynchronous and synchronous DDR clock ratios respectively; otherwise, set `MEM_PLL_CFG[8:9] = 0b00`.

#### NOTE

The RCW Configuration field `DDR_SYNC` (bit 184) must be set to 0b0 for asynchronous mode, and 0b1 for synchronous mode.

The RCW Configuration field `DDR_RATE` (bit 232) must be set to b'0 for asynchronous mode, and b'1 for synchronous mode.

The RCW Configuration field `DDR_RSV0` (bit 234) must be set to b'0 for all ratios.

**Table 105. Asynchronous DDR Clock Ratio**

Binary Value of MEM_PLL_RAT[10:14]	DDR:SYSCLK Ratio	Set MEM_PLL_CFG = 01 for SYSCLK Freq <sup>1</sup>
0_0101	5:1	>96.7 MHz
0_0110	6:1	>80.6 MHz
0_1000	8:1	>120.9 MHz
0_1001	9:1	>107.4 MHz
0_1010	10:1	>96.7 MHz
0_1100	12:1	>80.6 MHz
0_1101	13:1	>74.4 MHz
1_0000	16:1	>60.4 MHz
1_0010	18:1	>53.7 MHz
1_0100	20:1	>48.4 MHz
All Others	Reserved	—

**Note:**

1. Set RCW field MEM\_PLL\_CFG = 0b01 if the applied DDR PLL reference clock (SYSCLK) frequency is greater than the given cutoff; otherwise, set to 0b00 for a frequency that is less than or equal to the cutoff.

In synchronous mode, the DDR data rate to platform clock ratios supported are listed in this table. This ratio is determined by the binary value of the RCW Configuration field MEM\_PLL\_RAT[10:14].

**Table 106. Synchronous DDR Clock Ratio**

Binary Value of MEM_PLL_RAT[10:14]	DDR:Platform CLK Ratio	Set MEM_PLL_CFG=01 for Platform CLK Freq <sup>1</sup>
0_0001	1:1	>600 MHz
All Others	Reserved	—

**Note:**

1. Set MEM\_PLL\_CFG=0b01 if the applied DDR PLL reference clock (Platform clock) frequency is greater than given cutoff, else set to 0b00 for frequency that is less than or equal to cutoff.

## 3.1.6 Frequency Options

This section discusses interface frequency options.

### 3.1.6.1 SYSCLK and Platform Frequency Options

This table shows the expected frequency options for SYSCLK and platform frequencies.

**Table 107. SYSCLK and Platform Frequency Options**

Platform: SYSCLK Ratio	SYSCLK (MHz)				
	66.66	83.33	100.00	111.11	133.33
	Platform Frequency (MHz) <sup>1</sup>				
5:1					667
6:1			600	667	
7:1			700		
8:1			667		
9:1	600	750			
10:1	667				
11:1	733				

<sup>1</sup> Platform frequency values are shown rounded down to the nearest whole number (decimal place accuracy removed)

### 3.1.6.2 Minimum Platform Frequency Requirements for High-Speed Interfaces

The platform clock frequency must be considered for proper operation of high-speed interfaces as described below.

For proper PCI Express operation, the platform clock frequency must be greater than or equal to the values shown in these figures.

$$\frac{527 \text{ MHz} \times (\text{PCI Express link width})}{8}$$

**Figure 47. Gen 1 PCI Express Minimum Platform Frequency**

$$\frac{527 \text{ MHz} \times (\text{PCI Express link width})}{4}$$

**Figure 48. Gen 2 PCI Express Minimum Platform Frequency**

See Section 18.1.3.2, “Link Width,” in the chip reference manual for PCI Express interface width details. Note that “PCI Express link width” in the above equation refers to the negotiated link width of the single widest port used (not combined width of the number ports used) as the result of PCI Express link training, which may or may not be the same as the link width POR selection.

For proper Serial RapidIO operation, the platform clock frequency must be greater than or equal to:

$$\frac{2 \times 0.8512 \times (\text{serial RapidIO interface frequency}) \times (\text{serial RapidIO link width})}{64}$$

**Figure 49. sRIO Minimum Platform Frequency**

## Hardware Design Considerations

See Section 19.4 “LP-Serial Signal Descriptions,” in the chip reference manual for Serial RapidIO interface width and frequency details.

### 3.1.7 SerDes PLL Ratio

The clock ratio between each of the three SerDes PLLs and their respective externally supplied  $SD\_REF\_CLK_n/SD\_REF\_CLK_n$  inputs is determined by the binary value of the RCW Configuration field  $SRDS\_RATIO\_B_n$  as shown in this table. Furthermore, each SerDes lane grouping can be run at a SerDes PLL frequency divider determined by the binary value of the RCW field  $SRDS\_DIV\_B_n$  as shown in [Table 110](#).

This table lists the supported SerDes PLL Bank  $n$  to  $SD\_REF\_CLK_n$  ratios.

**Table 108. SerDes PLL Bank  $n$  to  $SD\_REF\_CLK_n$  Ratios**

Binary Value of $SRDS\_RATIO\_B1$	$SRDS\_PLL\_n:SD\_REF\_CLK_n$ Ratio	
	$n = 1$ (Bank)	$n = 2$ (Bank 2)
000	Reserved	Reserved
001	Reserved	20:1
010	25:1	25:1
011	40:1	40:1
100	50:1	50:1
101	Reserved	24:1
110	Reserved	30:1
All Others	Reserved	Reserved

These tables list the supported SerDes PLL dividers.

This table shows the PLL divider support for each pair of lanes on SerDes Bank 1.

**Table 109. SerDes Bank 1 PLL Dividers**

Binary Value of $SRDS\_DIV\_B1[0:4]$	SerDes Bank 1 PLL Divider
0b0	Divide by 1 off Bank 1 PLL
0b1	Divide by 2 off Bank 1 PLL

**Note:** 1 bit (of 5 total  $SRDS\_DIV\_B1$  bits) controls each pair of lanes. Because this chip does not have lanes A–B and H–J exposed, the first bit and last bit are not meaningful.

This table shows the PLL dividers supported for each 4-lane for SerDes Banks 2.

**Table 110. SerDes Banks 2 PLL Dividers**

Binary Value of $SRDS\_DIV\_B2$	SerDes Bank 2 PLL Divider
0b0	Divide by 1 off Bank 2 PLL
0b1	Divide by 2 off Bank 2 PLL

**Note:** 1 bit controls all four lanes of bank 2.



### 3.1.8 Frame Manager (FMan) Clock Select

The Frame Managers (FM) can each be synchronous to the platform.

This table describes the clocking options that may be applied to each FM. The clock selection is determined by the binary value of the RCW clocking configuration fields FM\_CLK\_SEL.

**Table 111. Frame Manager Clock Select**

Binary Value of FM_CLK_SEL	FM Frequency
0b0	Platform Clock Frequency /2
0b1	Core Cluster 2 Frequency /2 <sup>1</sup>

**Notes:**

<sup>1</sup> For asynchronous mode, max frequency, see [Table 100](#).

### 3.2 Supply Power Default Setting

The device is capable of supporting multiple power supply levels on its I/O supplies. The I/O voltage select inputs, shown in [Table 112](#), properly configure the receivers and drivers of the I/Os associated with the BVDD, CVDD, and LVDD power planes, respectively.

**WARNING**

Incorrect voltage select settings can lead to irreversible device damage.

Table 112. I/O Voltage Selection

Signals	Value (Binary)	VDD Voltage Selection		
		BVDD	CVDD	LVDD
IO_VSEL[0:4] Default (0_0000)	0_0000	3.3 V	3.3 V	3.3 V
	0_0001			2.5 V
	0_0010			Reserved
	0_0011	3.3 V	2.5 V	3.3 V
	0_0100			2.5 V
	0_0101			Reserved
	0_0110	3.3 V	1.8 V	3.3 V
	0_0111			2.5 V
	0_1000			Reserved
	0_1001	2.5 V	3.3 V	3.3 V
	0_1010			2.5 V
	0_1011			Reserved
	0_1100	2.5 V	2.5 V	3.3 V
	0_1101			2.5 V
	0_1110			Reserved
	0_1111	2.5 V	1.8 V	3.3 V
	1_0000			2.5 V
	1_0001			Reserved
	1_0010	1.8 V	3.3 V	3.3 V
	1_0011			2.5 V
	1_0100			Reserved
	1_0101	1.8 V	2.5 V	3.3 V
	1_0110			2.5 V
	1_0111			Reserved
	1_1000	1.8 V	1.8 V	3.3 V
	1_1001			2.5 V
	1_1010			Reserved
	1_1011	3.3 V	3.3 V	3.3 V
	1_1100			
	1_1101			
1_1110				
1_1111				

## 3.3 Power Supply Design

This section discusses the power supply design.

### 3.3.1 PLL Power Supply Filtering

Each of the PLLs described in [Section 3.1, “System Clocking,”](#) is provided with power through independent power supply pins ( $AV_{DD\_PLAT}$ ,  $AV_{DD\_CCn}$ ,  $AV_{DD\_DDR}$ , and  $AV_{DD\_SRDSn}$ ).  $AV_{DD\_PLAT}$ ,  $AV_{DD\_CCn}$  and  $AV_{DD\_DDR}$  voltages must be derived directly from the  $V_{DD\_CA\_CB\_PL}$  source through a low frequency filter scheme.  $AV_{DD\_SRDSn}$  voltages must be derived directly from the  $SV_{DD}$  source through a low frequency filter scheme.

The recommended solution for PLL filtering is to provide independent filter circuits per PLL power supply, as illustrated in [Figure 50](#), one for each of the  $AV_{DD}$  pins. By providing independent filters to each PLL the opportunity to cause noise injection from one PLL to the other is reduced.

This circuit is intended to filter noise in the PLL’s resonant frequency range from a 500-kHz to 10-MHz range.

Each circuit must be placed as close as possible to the specific  $AV_{DD}$  pin being supplied to minimize noise coupled from nearby circuits. It must be possible to route directly from the capacitors to the  $AV_{DD}$  pin, which is on the periphery of the footprint, without the inductance of vias.

[Figure 50](#) shows the PLL power supply filter circuit.

Where:

$$R = 5 \Omega \pm 5\%$$

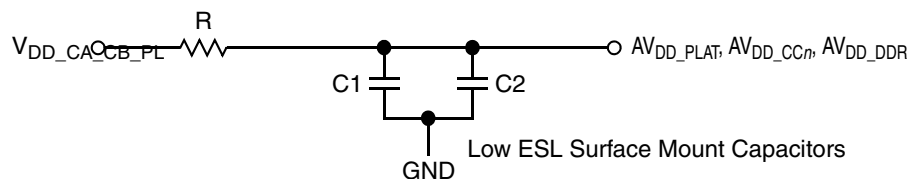
$$C1 = 10 \mu\text{F} \pm 10\%, \text{ 0603, X5R, with ESL} \leq 0.5 \text{ nH}$$

$$C2 = 1.0 \mu\text{F} \pm 10\%, \text{ 0402, X5R, with ESL} \leq 0.5 \text{ nH}$$

#### NOTE

A higher capacitance value for C2 may be used to improve the filter as long as the other C2 parameters do not change (0402 body, X5R,  $\text{ESL} \leq 0.5 \text{ nH}$ ).

Voltage for  $AV_{DD}$  is defined at the PLL supply filter and not the pin of  $AV_{DD}$ .



**Figure 50. PLL Power Supply Filter Circuit**

The  $AV_{DD\_SRDSn}$  signals provides power for the analog portions of the SerDes PLL. To ensure stability of the internal clock, the power supplied to the PLL is filtered using a circuit similar to the one shown in following [Figure 51](#). For maximum effectiveness, the filter circuit is placed as closely as possible to the  $AV_{DD\_SRDSn}$  balls to ensure it filters out as much noise as possible. The ground connection must be near the  $AV_{DD\_SRDSn}$  balls. The 0.003- $\mu\text{F}$  capacitor is closest to the balls, followed by two 2.2- $\mu\text{F}$  capacitors, and finally the 1- $\Omega$  resistor to the board supply plane. The capacitors are connected from  $AV_{DD\_SRDSn}$

## Hardware Design Considerations

to the ground plane. Use ceramic chip capacitors with the highest possible self-resonant frequency. All traces must be kept short, wide, and direct.

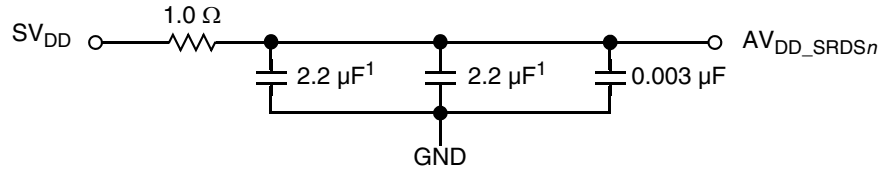


Figure 51. SerDes PLL Power Supply Filter Circuit

Note the following:

- $AV_{DD\_SRDSn}$  must be a filtered version of  $SV_{DD}$ .
- Signals on the SerDes interface are fed from the  $XV_{DD}$  power plane.
- Voltage for  $AV_{DD\_SRDSn}$  is defined at the PLL supply filter and not the pin of  $AV_{DD\_SRDSn}$ .
- A 0805 sized capacitor is recommended for system initial bring-up.

### 3.3.2 $XV_{DD}$ Power Supply Filtering

$XV_{DD}$  may be supplied by a linear regulator or sourced by a filtered  $GV_{DD}$ . Systems may design in both options to allow flexibility to address system noise dependencies.

An example solution for  $XV_{DD}$  filtering, where  $XV_{DD}$  is sourced from  $GV_{DD}$ , is illustrated in Figure 52. The component values in this example filter is system dependent and are still under characterization, component values may need adjustment based on the system or environment noise.

Where:

$C1 = 2.2 \mu\text{F} \pm 10\%$ , X5R, with  $\text{ESL} \leq 0.5 \text{ nH}$

$C2 = 2.2 \mu\text{F} \pm 10\%$ , X5R, with  $\text{ESL} \leq 0.5 \text{ nH}$

F1 = 120  $\Omega$  at 100-MHz 2A 25% 0603 Ferrite

F2 = 120  $\Omega$  at 100-MHz 2A 25% 0603 Ferrite

Bulk and decoupling capacitors are added, as needed, per power supply design.

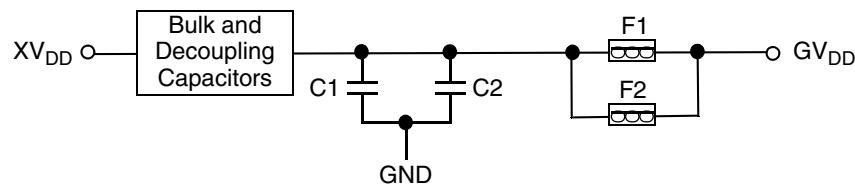


Figure 52.  $XV_{DD}$  Power Supply Filter Circuit

### 3.3.3 $USB\_V_{DD\_1P0}$ Power Supply Filtering

$USB\_V_{DD\_1P0}$  must be sourced by a filtered  $V_{DD\_CA\_CB\_PL}$  using a star connection. An example solution for  $USB\_V_{DD\_1P0}$  filtering, where  $USB\_V_{DD\_1P0}$  is sourced from  $V_{DD\_CA\_CB\_PL}$ , is illustrated in Figure 53. The component values in this example filter is system dependent and are still under characterization; component values may need adjustment based on the system or environment noise.

Where:

$C1 = 2.2 \mu\text{F} \pm 20\%$ , X5R, with Low ESL (for example, Panasonic ECJ0EB0J225M)

F1 = 120  $\Omega$  at 100-MHz 2A 25% Ferrite (for example, Murata BLM18PG121SH1)

Bulk and decoupling capacitors are added, as needed, per power supply design.

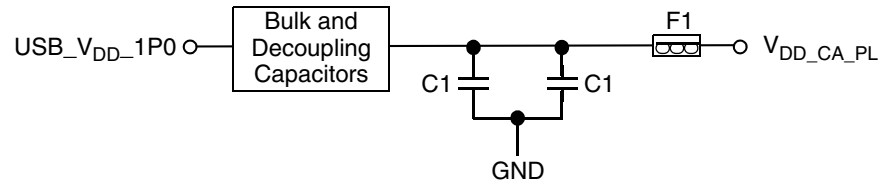


Figure 53. USB\_VDD\_1P0 Power Supply Filter Circuit

### 3.4 Decoupling Recommendations

Due to large address and data buses, and high operating frequencies, the device can generate transient power surges and high frequency noise in its power supply, especially while driving large capacitive loads. This noise must be prevented from reaching other components in the chip's system, and the chip itself requires a clean, tightly regulated source of power. Therefore, it is recommended that the system designer place at least one decoupling capacitor at each  $V_{DD}$ ,  $BV_{DD}$ ,  $OV_{DD}$ ,  $CV_{DD}$ ,  $GV_{DD}$ , and  $LV_{DD}$  pin of the device. These decoupling capacitors should receive their power from separate  $V_{DD}$ ,  $BV_{DD}$ ,  $OV_{DD}$ ,  $CV_{DD}$ ,  $GV_{DD}$ ,  $LV_{DD}$ , and GND power planes in the PCB, utilizing short traces to minimize inductance. Capacitors may be placed directly under the device using a standard escape pattern. Others may surround the part.

These capacitors should have a value of 0.01 or 0.1  $\mu\text{F}$ . Only ceramic SMT (surface mount technology) capacitors must be used to minimize lead inductance, preferably 0402 or 0603 sizes.

Additionally, it is recommended that there be several bulk storage capacitors distributed around the PCB, feeding the  $V_{DD}$ ,  $BV_{DD}$ ,  $OV_{DD}$ ,  $CV_{DD}$ ,  $GV_{DD}$ , and  $LV_{DD}$  planes, to enable quick recharging of the smaller chip capacitors. These bulk capacitors should have a low ESR (equivalent series resistance) rating to ensure the quick response time necessary. They should also be connected to the power and ground planes through two vias to minimize inductance. Suggested bulk capacitors—100–330  $\mu\text{F}$  (AVX TPS tantalum or Sanyo OSCON).

### 3.5 SerDes Block Power Supply Decoupling Recommendations

The SerDes block requires a clean, tightly regulated source of power ( $SV_{DD}$  and  $XV_{DD}$ ) to ensure low jitter on transmit and reliable recovery of data in the receiver. An appropriate decoupling scheme is outlined below.

Only SMT capacitors must be used to minimize inductance. Connections from all capacitors to power and ground must be done with multiple vias to further reduce inductance.

- First, the board should have at least  $10 \times 10$ -nF SMT ceramic chip capacitors as close as possible to the supply balls of the device. Where the board has blind vias, these capacitors must be placed directly below the chip supply and ground connections. Where the board does not have blind vias, these capacitors must be placed in a ring around the device as close to the supply and ground connections as possible.
- Second, there must be a 1- $\mu\text{F}$  ceramic chip capacitor on each side of the device. This must be done for all SerDes supplies.
- Third, between the device and any SerDes voltage regulator there must be a 10- $\mu\text{F}$ , low ESR SMT tantalum chip capacitor and a 100- $\mu\text{F}$ , low ESR SMT tantalum chip capacitor. This must be done for all SerDes supplies.

### 3.6 Connection Recommendations

To ensure reliable operation, it is highly recommended to connect unused inputs to an appropriate signal level. All unused active low inputs must be tied to  $V_{DD}$ ,  $BV_{DD}$ ,  $CV_{DD}$ ,  $OV_{DD}$ ,  $GV_{DD}$ , and  $LV_{DD}$  as required. All unused active high inputs must be connected to GND. All NC (no-connect) signals must remain unconnected. Power and ground connections must be made to all external  $V_{DD}$ ,  $BV_{DD}$ ,  $CV_{DD}$ ,  $OV_{DD}$ ,  $GV_{DD}$ ,  $LV_{DD}$ , and GND pins of the device.

The Ethernet controllers 1 and/or 2 input pins may be disabled by setting their respective RCW configuration field EC1 (bits 360–361) and EC2 (bits 363–364) to 0b11 = No parallel mode Ethernet. When disabled, these inputs do not need to be externally pulled to an appropriate signal level.

## Hardware Design Considerations

$ECn\_GTX\_CLK125$  is a 125-MHz input clock on the dTSEC ports. If the dTSEC ports are not used for RGMII, the  $ECn\_GTX\_CLK125$  input can be tied off to GND.

If RCW field I2C = 0b0100 or 0b0101 (RCW bits 354–357), the SDHC\_WP and  $\overline{SDHC\_CD}$  input signals are enabled for external use. If SDHC\_WP and  $\overline{SDHC\_CD}$  are selected and not used, they must be externally pulled low such that SDHC\_WP = 0 (write enabled) and  $\overline{SDHC\_CD}$  = 0 (card detected). If RCW field I2C  $\neq$  0b0100 or 0b0101, thereby selecting either I2C3 or GPIO functionality, SDHC\_WP and  $\overline{SDHC\_CD}$  are internally driven such that SDHC\_WP = write enabled and  $\overline{SDHC\_CD}$  = card detected and the selected I2C3 or GPIO external pin functionality may be used.

$\overline{TMP\_DETECT}$  pin and  $\overline{LP\_TMP\_DETECT}$  pin are active low input to the Security Monitor (refer to the “Secure Boot and Trust Architecture” chapter of the chip reference manual). If a tamper sensor is used, it must maintain the signal at the specified voltage until a tamper is detected. A 1K pull-down resistor strongly recommended. If Trust is used without tamper sensors, tie high.VDD\_LP must be connected even if Low Power features aren’t used. Otherwise, the LP\_Section will generate internal errors that will prevent the high power trust section from reaching Trusted/Secure state.

### 3.6.1 Legacy JTAG Configuration Signals

Correct operation of the JTAG interface requires configuration of a group of system control pins as demonstrated in [Figure 55](#). Care must be taken to ensure that these pins are maintained at a valid negated state under normal operating conditions as most have asynchronous behavior and spurious assertion will give unpredictable results.

Boundary-scan testing is enabled through the JTAG interface signals. The  $\overline{TRST}$  signal is optional in the IEEE Std 1149.1 specification, but it is provided on all processors built on Power Architecture technology. The device requires  $\overline{TRST}$  to be asserted during power-on reset flow to ensure that the JTAG boundary logic does not interfere with normal chip operation. While the TAP controller can be forced to the reset state using only the TCK and TMS signals, generally systems assert  $\overline{TRST}$  during the power-on reset flow. Simply tying  $\overline{TRST}$  to  $\overline{PORESET}$  is not practical because the JTAG interface is also used for accessing the common on-chip processor (COP), which implements the debug interface to the chip.

The COP function of these processors allow a remote computer system (typically, a PC with dedicated hardware and debugging software) to access and control the internal operations of the processor. The COP interface connects primarily through the JTAG port of the processor, with some additional status monitoring signals. The COP port requires the ability to independently assert  $\overline{PORESET}$  or  $\overline{TRST}$  in order to fully control the processor. If the target system has independent reset sources, such as voltage monitors, watchdog timers, power supply failures, or push-button switches, then the COP reset signals must be merged into these signals with logic.

The arrangement shown in [Figure 55](#) allows the COP port to independently assert  $\overline{PORESET}$  or  $\overline{TRST}$ , while ensuring that the target can drive  $\overline{PORESET}$  as well.

The COP interface has a standard header, shown in [Figure 54](#), for connection to the target system, and is based on the 0.025" square-post, 0.100" centered header assembly (often called a Berg header). The connector typically has pin 14 removed as a connector key.

The COP header adds many benefits such as breakpoints, watchpoints, register and memory examination/modification, and other standard debugger features. An inexpensive option can be to leave the COP header unpopulated until needed.

There is no standardized way to number the COP header; so emulator vendors have issued many different pin numbering schemes. Some COP headers are numbered top-to-bottom then left-to-right, while others use left-to-right then top-to-bottom. Still others number the pins counter-clockwise from pin 1 (as with an IC). Regardless of the numbering scheme, the signal placement recommended in [Figure 54](#) is common to all known emulators.

#### 3.6.1.1 Termination of Unused Signals

If the JTAG interface and COP header is not used, Freescale recommends the following connections:

- $\overline{TRST}$  must be tied to  $\overline{PORESET}$  through a 0 k $\Omega$  isolation resistor so that it is asserted when the system reset signal ( $\overline{PORESET}$ ) is asserted, ensuring that the JTAG scan chain is initialized during the power-on reset flow. Freescale recommends that the COP header be designed into the system as shown in [Figure 55](#). If this is not possible, the

isolation resistor will allow future access to  $\overline{\text{TRST}}$  in case a JTAG interface may need to be wired onto the system in future debug situations.

- No pull-up/pull-down is required for TDI, TMS, or TDO.

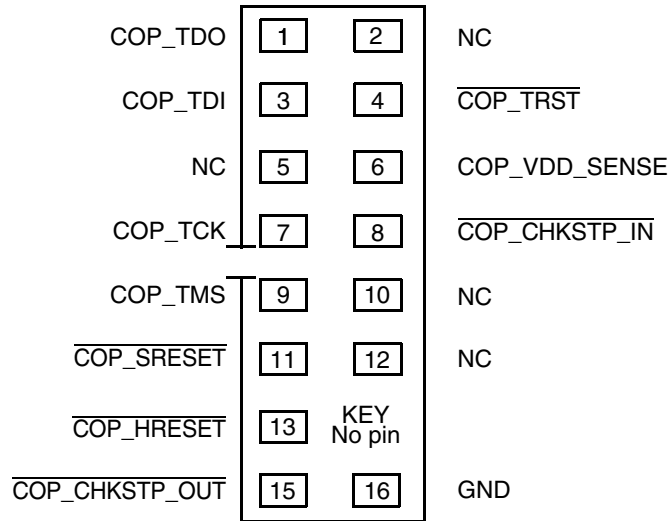


Figure 54. Legacy COP Connector Physical Pinout



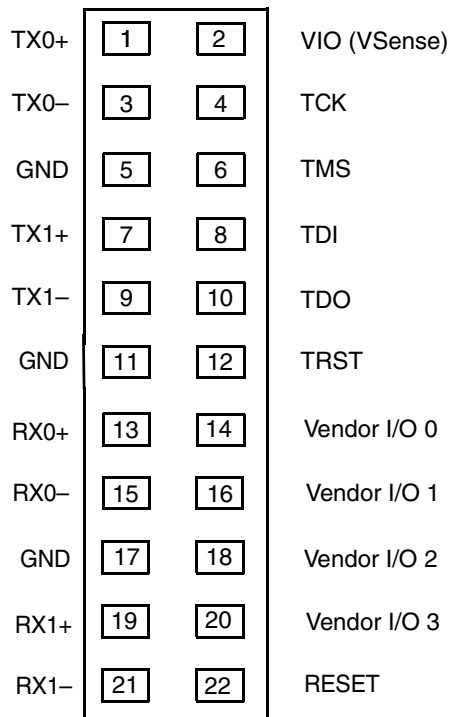


### 3.6.2 Aurora Configuration Signals

Correct operation of the Aurora interface requires configuration of a group of system control pins as demonstrated in [Figure 56](#) and [Figure 57](#). Care must be taken to ensure that these pins are maintained at a valid negated state under normal operating conditions as most have asynchronous behavior and spurious assertion will give unpredictable results.

Freescale recommends that the Aurora 22 pin duplex connector be designed into the system as shown in [Figure 58](#) or the 70 pin duplex connector be designed into the system as shown in [Figure 59](#).

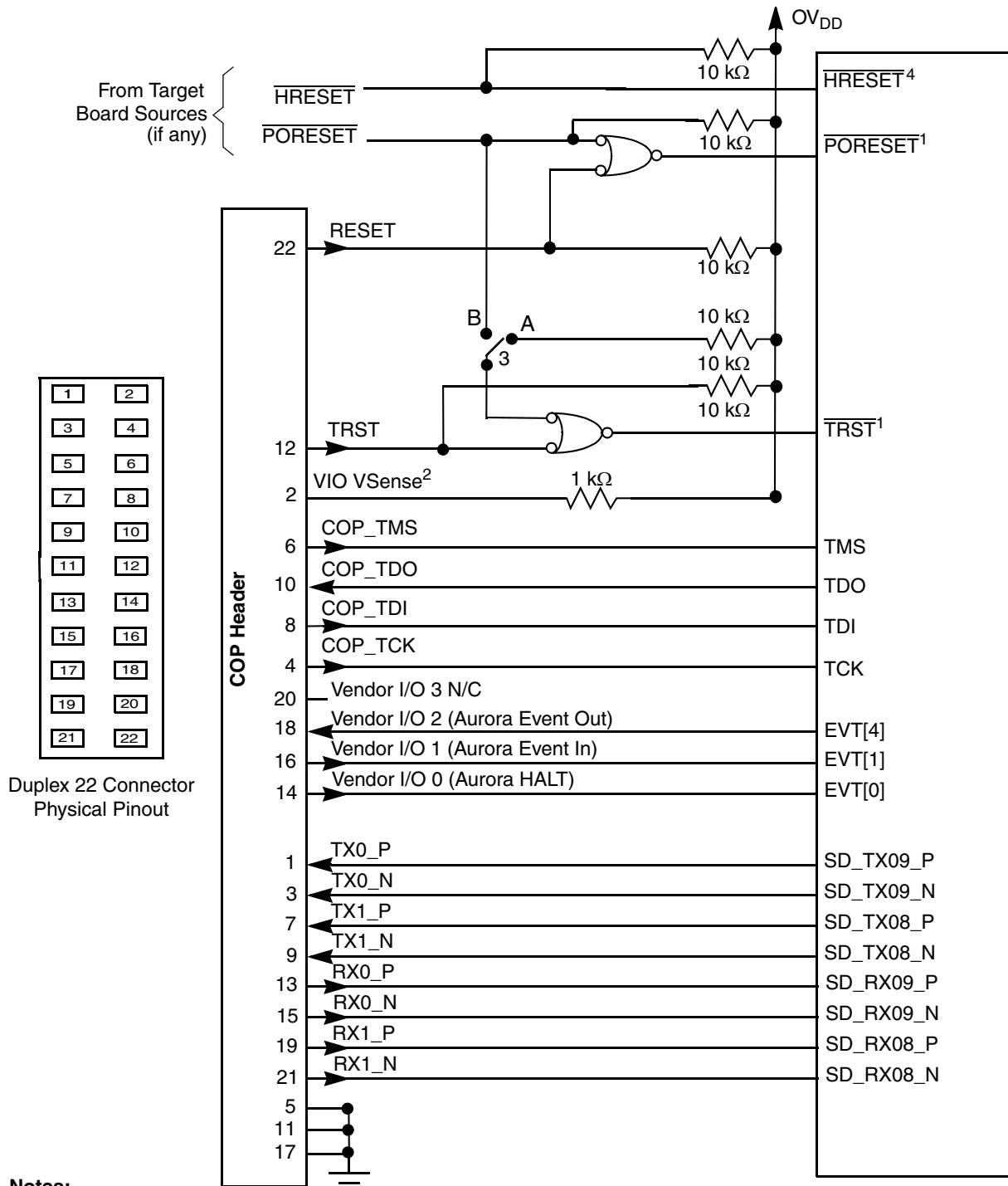
If the Aurora interface is not used, Freescale recommends the legacy COP header be designed into the system as described in [Section 3.6.1.1, “Termination of Unused Signals.”](#)



**Figure 56. Aurora 22 Pin Connector Duplex Pinout**

TX0+	1	2	VIO (VSense)
TX0-	3	4	TCK
GND	5	6	TMS
TX1+	7	8	TDI
TX1-	9	10	TDO
GND	11	12	TRST
RX0+	13	14	Vendor I/O 0
RX0-	15	16	Vendor I/O 1
GND	17	18	Vendor I/O 2
RX1+	19	20	Vendor I/O 3
RX1-	21	22	RESET
GND	23	24	GND
TX2+	25	26	CLK+
TX2-	27	28	CLK-
GND	29	30	GND
TX3+	31	32	Vendor I/O 4
TX3-	33	34	Vendor I/O 5
GND	35	36	GND
RX2+	37	38	N/C
RX2-	39	40	N/C
GND	41	42	GND
RX3+	43	44	N/C
RX3-	45	46	N/C
GND	47	48	GND
TX4+	49	50	N/C
TX4-	51	52	N/C
GND	53	54	GND
TX5+	55	56	N/C
TX5-	57	58	N/C
GND	59	60	GND
TX6+	61	62	N/C
TX6-	63	64	N/C
GND	65	66	GND
TX7+	67	68	N/C
TX7-	69	70	N/C

Figure 57. Aurora 70 Pin Connector Duplex Pinout



**Notes:**

1. The Aurora port and target board must be able to independently assert  $\overline{\text{PORESET}}$  and  $\overline{\text{TRST}}$  to the processor in order to fully control the processor as shown here.
2. Populate this with a 1 kΩ resistor for short-circuit/current-limiting protection.
3. This switch is included as a precaution for BSDL testing. The switch must be closed to position A during BSDL testing to avoid accidentally asserting the  $\overline{\text{TRST}}$  line. If BSDL testing is not being performed, this switch must be closed to position B.
4. Asserting  $\overline{\text{HRESET}}$  causes a hard reset on the device.  $\overline{\text{HRESET}}$  is not used by the Aurora 22 pin connector.

**Figure 58. Aurora 22 Pin Connector Duplex Interface Connection**

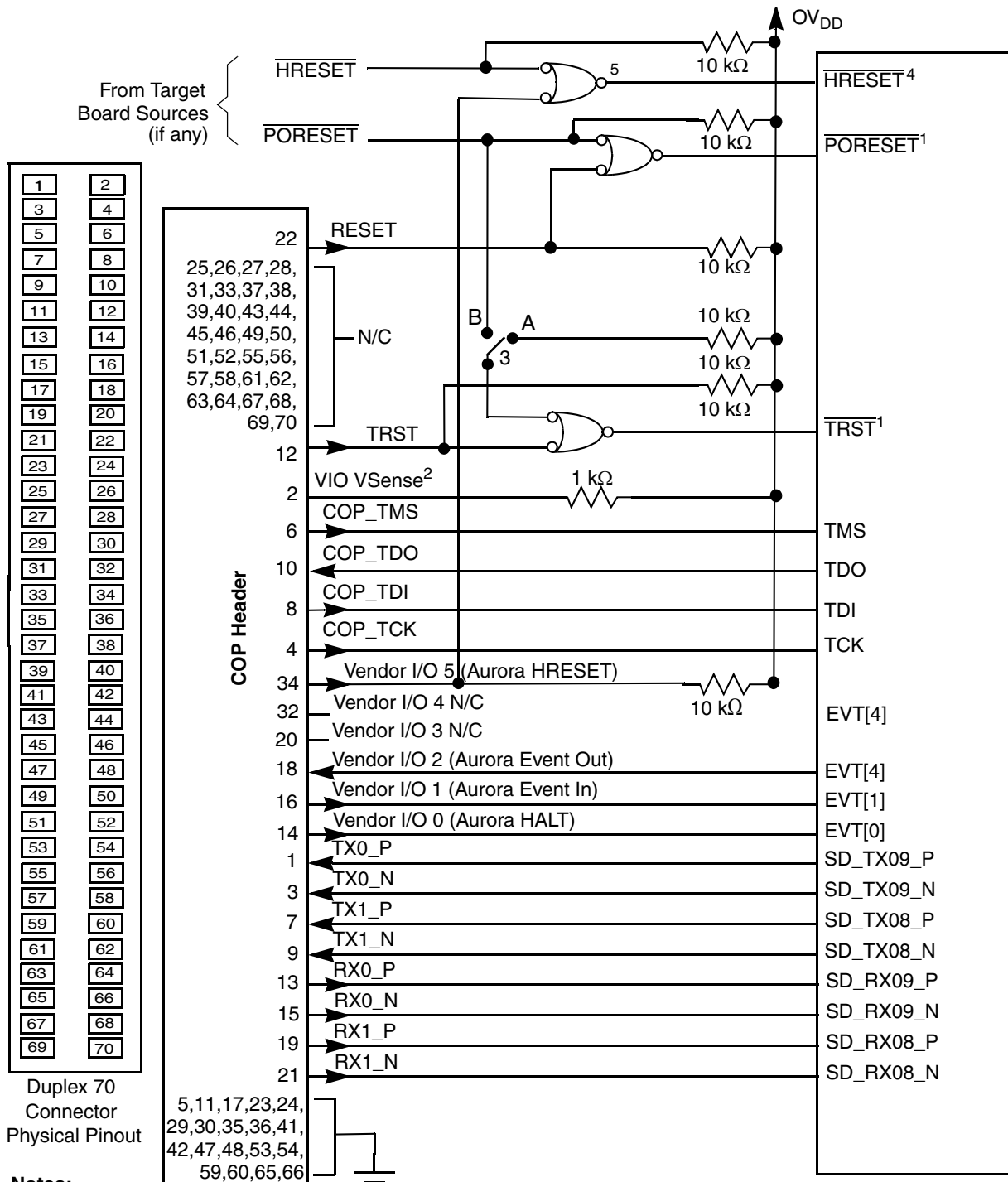


Figure 59. Aurora 70 Pin Connector Duplex Interface Connection

### 3.6.3 Guidelines for High-Speed Interface Termination

This section provides the guidelines for when the SerDes interface is either entirely unused or partly unused.

#### 3.6.3.1 SerDes Interface Entirely Unused

If the high-speed SerDes interface is not used at all, the unused pin must be terminated as described in this section.

The following pins must be left unconnected:

- SD\_TX[7:2], SD\_TX[13:10]
- $\overline{\text{SD\_TX}}[7:2]$ ,  $\overline{\text{SD\_TX}}[13:10]$
- SD\_IMP\_CAL\_RX
- SD\_IMP\_CAL\_TX

The following pins must be connected to SGND:

- SD\_RX[7:2], SD\_RX[13:10]
- $\overline{\text{SD\_RX}}[13:10]$ ,  $\overline{\text{SD\_RX}}[13:10]$
- SD\_REF\_CLK1, SD\_REF\_CLK2
- $\overline{\text{SD\_REF\_CLK1}}$ ,  $\overline{\text{SD\_REF\_CLK2}}$

In the RCW configuration fields SRDS\_LPD\_B1 and SRDS\_LPD\_B2, all bits must be set to power down all the lanes in each bank.

RCW configuration field SRDS\_EN may be cleared to power down the SerDes block for power saving. Setting RCW[SRDS\_EN] = 0 power-downs the PLLs of both banks.

Additionally, software may configure SRDSB $n$ RSTCTL[SDRD] = 1 for the unused banks to power down the SerDes bank PLLs to save power.

Note that both SV<sub>DD</sub> and XV<sub>DD</sub> must remain powered.

#### 3.6.3.2 SerDes Interface Partly Unused

If only part of the high speed SerDes interface pins are used, the remaining high-speed serial I/O pins must be terminated as described in this section.

The following unused pins must be left unconnected:

- SD\_TX[ $n$ ]
- $\overline{\text{SD\_TX}}[n]$

The following unused pins must be connected to SGND:

- SD\_RX[ $n$ ]
- $\overline{\text{SD\_RX}}[n]$
- SD\_REF\_CLK1,  $\overline{\text{SD\_REF\_CLK1}}$  (If entire SerDes bank 1 unused)
- SD\_REF\_CLK2,  $\overline{\text{SD\_REF\_CLK2}}$  (If entire SerDes bank 2 unused)

In the RCW configuration field for each bank SRDS\_LPD\_B $n$  with unused lanes, the respective bit for each unused lane must be set to power down the lane.

### 3.6.4 USB Controller Connections

This section details the hardware connections required for the USB controllers.

### 3.6.4.1 USB Divider Network

This figure shows the required divider network for the VBUS interface for the device. Additional requirements for the external components are as follows:

- Both resistors require 0.1% accuracy and a current capability of up to 1 mA. They must both have the same temperature coefficient and accuracy.
- The zener diode must have a value of 5 V–5.25 V.
- The 0.6 V diode requires an  $I_F = 10 \text{ mA}$ ,  $I_R < 500 \text{ nA}$  and  $V_{F(\text{Max})} = 0.8 \text{ V}$ .

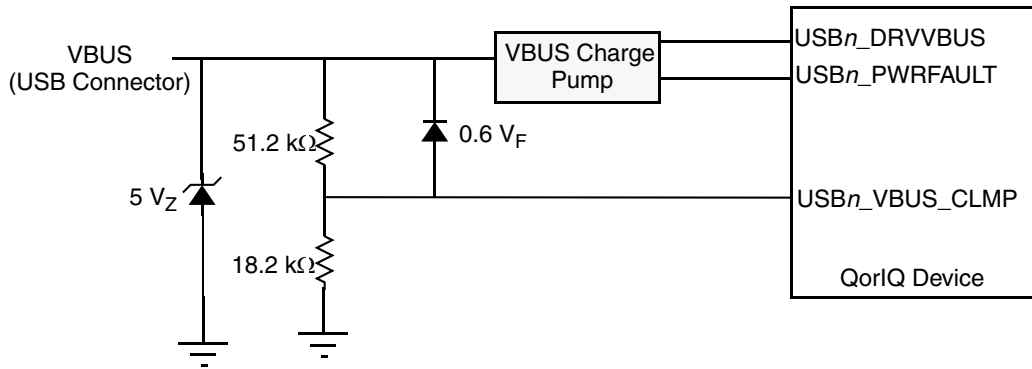


Figure 60. Divider Network at VBUS

USB1\_DRVVBUS and USB1\_PWRFAULT are muxed on GPIO[25] and GPIO[27] pins, respectively. USB2\_DRVVBUS and USB2\_PWRFAULT are muxed on GPIO[6:7] pins, respectively. Setting RCW[GPIO] selects USB functionality on the GPIO pins.

### 3.6.4.2 USB<sub>n</sub>\_V<sub>DD</sub>\_1P8\_DECAP Capacitor Options

The USB<sub>n</sub>\_V<sub>DD</sub>\_1P8\_DECAP pins require a capacitor connected to GND.

This table lists the recommended capacitors for the USB<sub>n</sub>\_V<sub>DD</sub>\_1P8\_DECAP signal.

Table 113. Recommended Capacitor Parts for USB<sub>n</sub>\_V<sub>DD</sub>\_1P8\_DECAP

Manufacturer	Part Number	Value	ESR	Package
Kemet	T494B105(1)025A(2)	1 uF, 25 V	2 Ω	B(3528)
	T494B155(1)025A(2)	1.5 uF, 25 V	1.5 Ω	—
NIC	NMC0603X7R106KTRPF	1 uF, 10 V	Low ESR	0603
TDK Corporation	CERB2CX5R0G105M	1 uF, 4 V	200 m-Ω	0603
Vishay	TR3B105(1)035(2)1500	1 uF, 35 V	1.5 Ω	B(3528)

## 3.7 Recommended Thermal Model

Information about Flotherm models of the package or thermal data not available in this document can be obtained from your local Freescale sales office.

## 3.8 Thermal Management Information

This section provides thermal management information for the flip chip plastic ball grid array (FC-PBGA) package for air-cooled applications. Proper thermal control design is primarily dependent on the system-level design—the heat sink, airflow,

and thermal interface material. The recommended attachment method to the heat sink is illustrated in Figure 61. The heat sink must be attached to the printed-circuit board with the spring force centered over the die. This spring force should not exceed 10 pounds force (45 Newton).

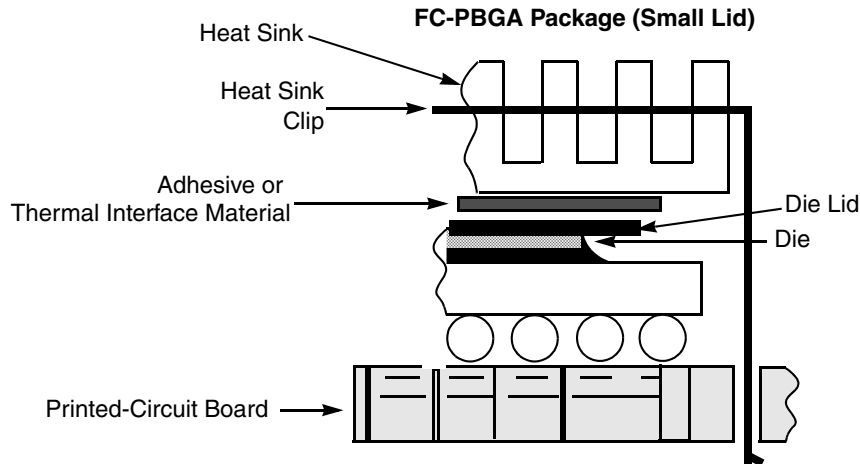


Figure 61. Package Exploded Cross-Sectional View—FC-PBGA (w/ Lid) Package

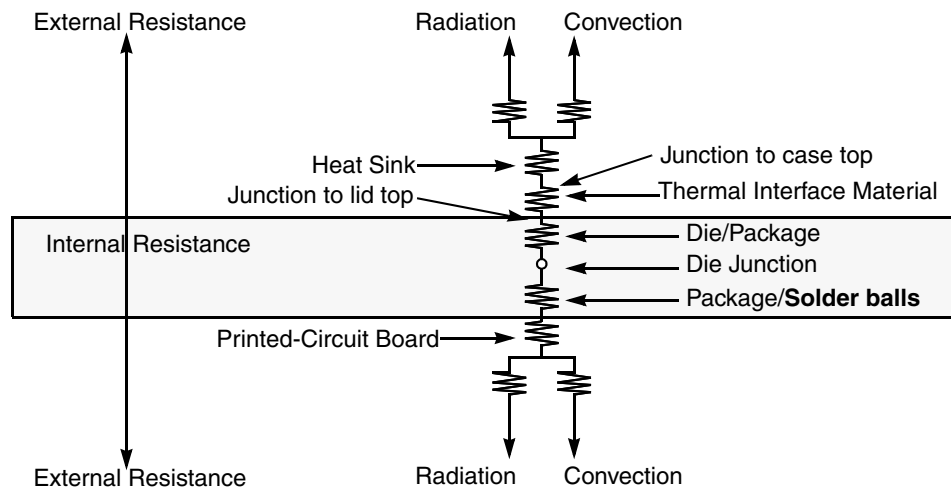
The system board designer can choose between several types of heat sinks to place on the device. There are several commercially-available thermal interfaces to choose from in the industry. Ultimately, the final selection of an appropriate heat sink depends on many factors, such as thermal performance at a given air velocity, spatial volume, mass, attachment method, assembly, and cost.

### 3.8.1 Internal Package Conduction Resistance

For the package, the intrinsic internal conduction thermal resistance paths are as follows:

- The die junction-to-case thermal resistance
- The die junction-to-lid-top thermal resistance
- The die junction-to-board thermal resistance

Figure 62 depicts the primary heat transfer path for a package with an attached heat sink mounted to a printed-circuit board.



(Note the internal versus external package resistance)

Figure 62. Package with Heat Sink Mounted to a Printed-Circuit Board

## Package Information

The heat sink removes most of the heat from the device. Heat generated on the active side of the chip is conducted through the silicon and through the heat sink attach material (or thermal interface material), and finally to the heat sink. The junction-to-case thermal resistance is low enough that the heat sink attach material and heat sink thermal resistance are the dominant terms.

### 3.8.2 Thermal Interface Materials

A thermal interface material is required at the package-to-heat sink interface to minimize the thermal contact resistance. The performance of thermal interface materials improves with increasing contact pressure; this performance characteristic chart is generally provided by the thermal interface vendor. The recommended method of mounting heat sinks on the package is by means of a spring clip attachment to the printed-circuit board (see [Figure 61](#)).

The system board designer can choose among several types of commercially-available thermal interface materials.

### 3.8.3 Temperature Diode

The chip has a temperature diode on the microprocessor that can be used in conjunction with other system temperature monitoring devices (such as Analog Devices, ADT7461A™). These devices use the negative temperature coefficient of a diode operated at a constant current to determine the temperature of the microprocessor and its environment.

The following are the specifications of the chip's on-board temperature diode:

- Operating range: 10 – 230μA
- Ideality factor over 13.5 – 220 μA:  $n = 1.00589 \pm 0.008$

## 4 Package Information

The following section describes the detailed content and mechanical description of the package.

### 4.1 Package Parameters for the FC-PBGA

The package parameters are as provided in the following list. The package type is 23 mm × 23 mm, 780 flip chip plastic ball grid array (FC-PBGA).

Package outline	23 mm × 23mm
Interconnects	780
Ball Pitch	0.8 mm
Ball Diameter (typical)	0.40 mm
Solder Balls	96.5% Sn, 3% Ag, 0.5% Cu
Module height (typical)	2.21 mm to 2.51 mm (Maximum)





## 5 Security Fuse Processor

The device implements the QorIQ platform's Trust Architecture supporting capabilities such as secure boot. Use of the Trust Architecture features is dependent on programming fuses in the Security Fuse Processor (SFP). The details of the Trust Architecture and SFP can be found in the chip reference manual.

In order to program SFP fuses, the user is required to supply 1.5 V to the  $POV_{DD}$  pin per [Section 2.2, "Power Up Sequencing."](#)  $POV_{DD}$  should only be powered for the duration of the fuse programming cycle, with a per device limit of two fuse programming cycles. All other times  $POV_{DD}$  must be connected to GND. The sequencing requirements for raising and lowering  $POV_{DD}$  are shown in [Figure 8](#). To ensure device reliability, fuse programming must be performed within the recommended fuse programming temperature range per [Table 3](#).

Users not implementing the QorIQ platform's Trust Architecture features are not required to program fuses and should connect  $POV_{DD}$  to GND.

## 6 Ordering Information

Contact your local Freescale sales office or regional marketing team for ordering information.

### 6.1 Part Numbering Nomenclature

This table provides the Freescale QorIQ platform part numbering nomenclature. Not all possible combinations of part numbers implied by the part numbering scheme are supported. For a list of available part numbers, contact your Freescale Sales office. Each part number also contains a revision code which refers to the die mask revision number.

**Table 114. Part Numbering Nomenclature**

<i>p</i>	<i>n</i>	<i>nn</i>	<i>n</i>	<i>x</i>	<i>t</i>	<i>e</i>	<i>n</i>	<i>c</i>	<i>d</i>	<i>r</i>
Generation	Platform	Number of Cores	Derivative	Qual Status	Temp. Range	Encryption	Package Type	CPU Freq	DDR Data Rate	Die Revision
P = 45 nm	1–5	01 = 1 core 02 = 2 cores 04 = 4 cores	0–9	P = Prototype N = Industrial qualification	S = Std temp X = Extended temp (–40 to 105C)	E = SEC present N = SEC not present	1 = FC-PBGA Pb-free spheres 7 = FC-PBGA C4 and sphere Pb-free	M = 1200 MHz N = 1333 MHz P = 1500 MHz	M = 1200 MT/s N = 1333 MT/s	A = Rev 1.0 B = Rev 1.1 C = Rev 2.0

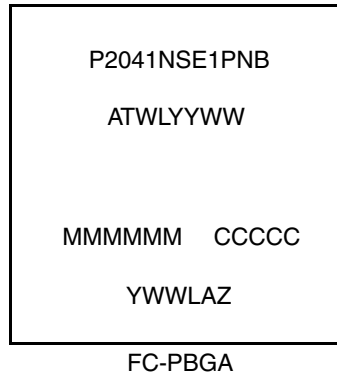
### 6.2 Orderable Part Numbers Addressed by this Document

This table provides the Freescale orderable part numbers addressed by this document for the chip.

Part Number	<i>p</i>	<i>n</i>	<i>nn</i>	<i>n</i>	<i>x</i>	<i>t</i>	<i>e</i>	<i>n</i>	<i>c</i>	<i>d</i>	<i>r</i>		
P2041NSE1MMB P2041NSE7MMC	P	2	04 = 4 core	1	N = Industrial qualification	S = Std temp	E = SEC present	1 = FC-PBGA Pb-free spheres 7 = FC-PBGA C4 and sphere Pb-free	M = 1200 MHz	M = 1200 MT/s	B C		
P2041NSN1MMB P2041NSN7MMC							N = SEC not present						
P2041NSE1NNB P2041NSE7NNC							E = SEC present					N = 1333 MHz	N = 1333 MT/s
P2041NSN1NNB P2041NSN7NNC							N = SEC not present						
P2041NSE1PNB P2041NSE7PNC							E = SEC Present					P = 1500 MHz	
P2041NSN1PNB P2041NSN7PNC							N = SEC not present						
P2041NXE1MMB P2041NXE7MMC						X = Extended temp	E = SEC Present	M = 1200 MHz	M = 1200 MT/s				
P2041NXN1MMB P2041NXN7MMC							N = SEC not present						
P2041NXE1NNB P2041NXE7NNC							E = SEC Present	N = 1333 MHz	N = 1333 MT/s				
P2041NXN1NNB P2041NXN7NNC							N = SEC not present						
P2041NXE1PNB P2041NXE7PNC							E = SEC Present	P = 1500 MHz					
P2041NXN1PNB P2041NXN7PNC							N = SEC not present						

## 6.2.1 Part Marking

Parts are marked as in the example shown in this figure.



**Notes:**

P2041NSE1PNB is the orderable part number. See [Table 120](#) for details.

ATWLYYWW is the test traceability code.

MMMMMM is the mask number.

CCCCC is the country code.

YWWLAZ is the assembly traceability code.

**Figure 64. Part Marking for FC-PBGA Device**

## 7 Revision History

This table provides a revision history for this document.

**Table 115. Revision History**

Rev. Number	Date	Description
2	02/2013	<ul style="list-style-type: none"> <li>• In <a href="#">Table 7</a>, “P2041 I/O Power Supply Estimated Values,” updated the USB power supply with USB_Vdd_3P3 and updated the typical value with “0.003” in the Others (Reset, System Clock, JTAG &amp; Misc.) row.</li> <li>• In <a href="#">Table 8</a>, “Device AVDD Power Dissipation,” removed V<sub>DD_LP</sub> from table.</li> <li>• Added <a href="#">Table 10</a>, “VDD_LP Power Dissipation.”</li> <li>• In <a href="#">Table 55</a>, “MPIC Input AC Timing Specifications,” added Trust inputs AC timing and footnote 2.</li> <li>• In <a href="#">Table 100</a>, “Processor Clocking Specifications,” updated footnote 8 with Rev 1.1 silicon.</li> <li>• In <a href="#">Table 114</a>, “Part Numbering Nomenclature,” added “C” in the Die Revision column.</li> <li>• In <a href="#">Section 6.2</a>, “<a href="#">Orderable Part Numbers Addressed by this Document</a>,” added the device part numbers for Rev 2.0 silicon.</li> </ul>

Table 115. Revision History (continued)

Rev. Number	Date	Description
1	09/2012	<ul style="list-style-type: none"> <li>• In <a href="#">Table 1</a>, “Pin List by Bus”, added note for pin <math>V_{DD\_LP}</math></li> <li>• Updated <a href="#">Table 8</a>, “Device AVDD Power Dissipation”.</li> <li>• In <a href="#">Table 12</a>, “SYSCLK DC Electrical Characteristics (<math>OV_{DD} = 3.3\text{ V}</math>)”, updated the input current max value and added input capacitance max value.</li> <li>• In <a href="#">Table 53</a>, “eSDHC AC Timing Specifications”, updated input setup times from 5 ns to 2.5 ns.</li> <li>• In <a href="#">Section 3.1.6.2</a>, “Minimum Platform Frequency Requirements for High-Speed Interfaces”, updated the note that the “PCI Express link width” refers to “a single port”.</li> <li>• In <a href="#">Section 4.1</a>, “Package Parameters for the FC-PBGA”, updated the solder ball composition and module height.</li> <li>• In <a href="#">Section 4.2</a>, “Mechanical Dimensions of the FC-PBGA”, updated the figure for the mechanical dimensions.</li> <li>• In <a href="#">Section 3.6</a>, “Connection Recommendations”, removed the sentence “If no aspect of Trust Architecture is to be used, all Trust Architecture pins can be tied to GND.”</li> </ul>
0	06/2012	Initial public release

---

**How to Reach Us:**

**Home Page:**  
[freescale.com](http://freescale.com)

**Web Support:**  
[freescale.com/support](http://freescale.com/support)

Information in this document is provided solely to enable system and software implementers to use Freescale products. There are no express or implied copyright licenses granted hereunder to design or fabricate any integrated circuits based on the information in this document.

Freescale reserves the right to make changes without further notice to any products herein. Freescale makes no warranty, representation, or guarantee regarding the suitability of its products for any particular purpose, nor does Freescale assume any liability arising out of the application or use of any product or circuit, and specifically disclaims any and all liability, including without limitation consequential or incidental damages. "Typical" parameters that may be provided in Freescale data sheets and/or specifications can and do vary in different applications, and actual performance may vary over time. All operating parameters, including "typicals," must be validated for each customer application by customer's technical experts. Freescale does not convey any license under its patent rights nor the rights of others. Freescale sells products pursuant to standard terms and conditions of sale, which can be found at the following address: [freescale.com/SalesTermsandConditions](http://freescale.com/SalesTermsandConditions).

Freescale, the Freescale logo, and QorIQ are trademarks of Freescale Semiconductor, Inc. Reg., U.S. Pat. & Tm. Off. CoreNet is a trademark of Freescale Semiconductor, Inc. All other product or service names are the property of their respective owners. The Power Architecture and Power.org word marks and the Power and Power.org logos and related marks are trademarks and service marks licensed by Power.org.  
© 2010–2013 Freescale Semiconductor, Inc.

Document Number: P2041EC  
Rev. 2  
02/2013

