

CDP1804AC

T-49-19-08

TERMINAL ASSIGNMENT

CLOCK	1	40	V <sub>DD</sub>
WAIT	2	39	XTAL
CLEAR	3	38	DMA IN
Q	4	37	DMA OUT
SC1	5	36	INTERRUPT
SC0	6	35	MWR
WRO	7	34	TPA
BUS 7	8	33	TPB
BUS 6	9	32	MA7
BUS 5	10	31	MA6
BUS 4	11	30	MA5
BUS 3	12	29	MA4
BUS 2	13	28	MA3
BUS 1	14	27	MA2
BUS 0	15	26	MA1
EMS/ME	16	25	MA0
N2	17	24	EPT
N1	18	23	EP2
N0	19	22	EP3
VSS	20	21	EP4

TOP VIEW 92CS-14980

CMOS 8-Bit Microcomputer With On-Chip RAM, ROM, and Counter/Timer

Performance Features:

- Instruction time of 3.2 μs, -40 to +85°C
- 123 instructions-upwards software compatible with CDP1802, CDP1805A, and CDP1806A
- BCD arithmetic instructions
- Low-power IDLE mode
- Pin compatible with CDP1802, CDP1805A, and CDP1806A except for terminal 16 (terminal 18 for chip-carrier package)
- 64K-byte memory address capability
- 16 x 16 matrix of on-board registers
- 2 K bytes of on-chip ROM
- On-chip crystal or RC controlled oscillator
- 64 bytes of on-chip RAM
- 8-bit Counter/Timer

The RCA-CDP1804AC is a functional and performance enhancement of the CDP1802, CDP1805A, and CDP1806A CMOS 8-bit register-oriented microprocessor series and is designed for use in a wide variety of general-purpose applications.

The CDP1804AC hardware enhancements include a 2K-byte ROM, a 64-byte RAM, and a 8-bit presetable down counter. The Counter/Timer, which generates an internal interrupt request, can be programmed for use in time-base, event-counting, and pulse-duration measurement applications. The Counter/Timer underflow output can also be directed to the Q output terminal.

The CDP1805AC and CDP1806AC which are identical to the CDP1804AC, except for the on-chip memory, should be used for CDP1804AC development purposes.

The CDP1804AC software enhancements include 32 more instructions than the CDP1802. The 32 additional software instructions include subroutine call and return capability, enhanced data transfer manipulation, counter/timer control, improved interrupt handling, single-instruction loop counting, and BCD arithmetic.

Upwards software and hardware compatibility are maintained when substituting a CDP1804AC for other CDP1800-series microprocessors. Pinout is identical except for the replacement of V<sub>CC</sub> with EMS/ME.

The CDP1804AC has an operating voltage range of 4 V to 6.5 V and is supplied in a 40-lead hermetic dual-in-line ceramic package (D suffix), in a 40-lead dual-in-line plastic package (E suffix), and in a 44-lead plastic chip-carrier package (Q suffix).

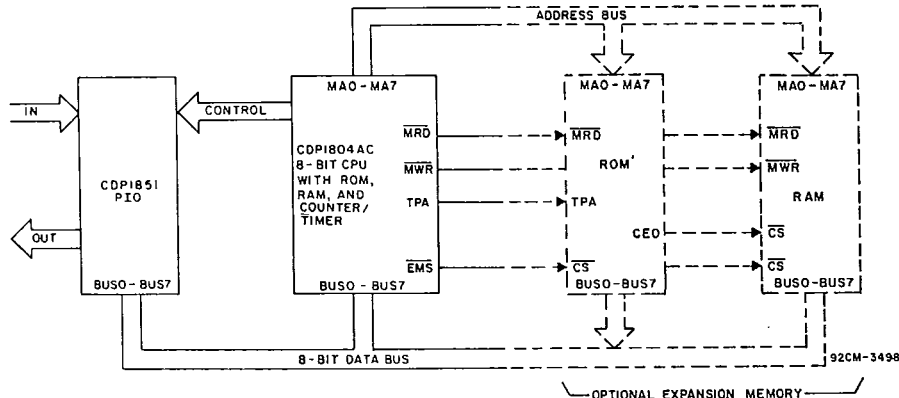


Fig. 1 - Typical CDP1804AC microprocessor system.

File Number 1371

1800-Series Microprocessors and Microcomputers

CDP1804AC

T.49-19.08

MAXIMUM RATINGS, Absolute-Maximum Values:

DC SUPPLY-VOLTAGE RANGE, ( $V_{DD}$ ):  
 (Voltage referenced to  $V_{SS}$  Terminal) ..... -0.5 to +7 V

INPUT VOLTAGE RANGE, ALL INPUTS ..... -0.5 to  $V_{DD}$  +0.5 V

DC INPUT CURRENT, ANY ONE INPUT .....  $\pm 10$  mA

POWER DISSIPATION PER PACKAGE ( $P_D$ ):  
 For  $T_A = -40$  to  $+60^\circ\text{C}$  (PACKAGE TYPE E) ..... 500 mW  
 For  $T_A = +60$  to  $+85^\circ\text{C}$  (PACKAGE TYPE E) ..... Derate Linearly at 12 mW/ $^\circ\text{C}$  to 200 mW  
 For  $T_A = -55$  to  $+100^\circ\text{C}$  (PACKAGE TYPE D) ..... 500 mW  
 For  $T_A = +100$  to  $+125^\circ\text{C}$  (PACKAGE TYPE D) ..... Derate Linearly at 12 mW/ $^\circ\text{C}$  to 200 mW  
 For  $T_A = -40^\circ\text{C}$  to  $+85^\circ\text{C}$  (PACKAGE TYPE Q)\* ..... 500 mW

DEVICE DISSIPATION PER OUTPUT TRANSISTOR  
 For  $T_A = \text{FULL PACKAGE-TEMPERATURE RANGE (All Package Types)}$  ..... 100 mW

OPERATING-TEMPERATURE RANGE ( $T_A$ ):  
 PACKAGE TYPE D .....  $-55$  to  $+125^\circ\text{C}$   
 PACKAGE TYPE E AND Q .....  $-40$  to  $+85^\circ\text{C}$

STORAGE TEMPERATURE RANGE ( $T_{stg}$ ) .....  $-65$  to  $+150^\circ\text{C}$

LEAD TEMPERATURE (DURING SOLDERING):  
 At distance  $1/16 \pm 1/32$  in. ( $1.59 \pm 0.79$  mm) from case for 10 s max. ....  $+265^\circ\text{C}$



\* Printed-circuit board mount: 57 mm x 57 mm minimum area x 1.6 mm thick G10 epoxy glass, or equivalent.

RECOMMENDED OPERATING CONDITIONS at  $T_A = -40$  to  $+85^\circ\text{C}$

For maximum reliability, nominal operating conditions should be selected so that operation is always within the following ranges:

CHARACTERISTIC	CONDITION  $V_{DD}$ (V)	LIMITS		UNITS
		CDP1804ACD CDP1804ACE		
		MIN.	MAX.	
DC Operating Voltage Range	—	4	6.5	V
Input Voltage Range	—	$V_{SS}$	$V_{DD}$	V
Minimum Instruction Time* ( $f_{CL}=5$ MHz)	5	3.2	—	$\mu\text{s}$
Maximum DMA Transfer Rate	5	—	0.625	Mbytes/s
Maximum Clock Input Frequency, Load Capacitance (CL) = 50 pF	5	DC	5	MHz
Maximum External Counter/Timer Clock Input Frequency to $\overline{EF1}$ , $\overline{EF2}$ $t_{CLX}$	5	DC	2	

\* Equals 2 machine cycles - one Fetch and one Execute operation for all instructions except Long Branch, Long Skip, NOP, and "68" family instructions, which are more than two cycles.

T. 49.19.08

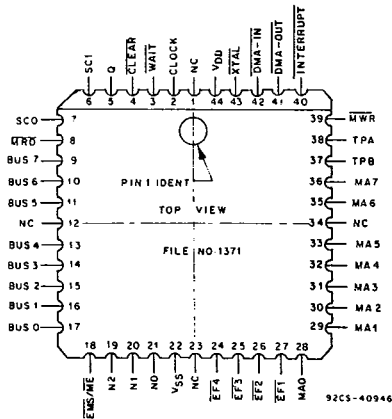
**CDP1804AC**

STATIC ELECTRICAL CHARACTERISTICS at  $T_A = -40$  to  $+85^\circ\text{C}$ ,  $V_{DD} \pm 5\%$ , Except as noted

CHARACTERISTIC		CONDITIONS			LIMITS			UNITS
		$V_O$ (V)	$V_{IN}$ (V)	$V_{DD}$ (V)	CDP1804ACD, CDP1804ACE			
					Min.	Typ.*	Max.	
Quiescent Device Current	$I_{DD}$	—	0.5	5	—	50	200	$\mu\text{A}$
Output Low Drive (Sink) Current (Except XTAL)	$I_{OL}$	0.4	0.5	5	1.6	4	—	mA
XTAL Output	$I_{OL}$	0.4	5	5	0.2	0.4	—	
Output High Drive (Source) Current (Except XTAL)	$I_{OH}$	4.6	0.5	5	-1.6	-4	—	
XTAL	$I_{OH}$	4.6	0	5	-0.1	-0.2	—	V
Output Voltage Low-Level	$V_{OL}$	—	0.5	5	—	0	0.1	
Output Voltage High Level	$V_{OH}$	—	0.5	5	4.9	5	—	
Input Low Voltage (BUS 0 — BUS 7, $\overline{\text{EMS}}/\overline{\text{ME}}$ )	$V_{IL}$	0.5, 4.5	—	5	—	—	1.5	
Input High Voltage (BUS 0 — BUS 7, $\overline{\text{EMS}}/\overline{\text{ME}}$ )	$V_{IH}$	0.5, 4.5	—	5	3.5	—	—	
Schmitt Trigger Input Voltage (Except BUS 0 — BUS 7, $\overline{\text{EMS}}/\overline{\text{ME}}$ )								
Positive Trigger Threshold	$V_P$				2.2	2.9	3.6	
Negative Trigger Threshold	$V_N$	0.5, 4.5	—	5	0.9	1.9	2.8	
Hysteresis	$V_H$				0.3	0.9	1.8	
Input Leakage Current	$I_{IN}$	—	0.5	5	—	$\pm 0.1$	$\pm 5$	$\mu\text{A}$
3-State Output Leakage Current	$I_{OUT}$	0.5	0.5	5	—	$\pm 0.2$	$\pm 5$	$\mu\text{A}$
Input Capacitance	$C_{IN}$	—	—	—	—	5	7.5	pF
Output Capacitance	$C_{OUT}$	—	—	—	—	10	15	
Total Power Dissipation <sup>A</sup> Run		—	—	5	—	35	50	mW
Idle "00" at M(0000)		—	—	5	—	12	18	
Minimum Data Retention Voltage	$V_{DR}$	$V_{DD} = V_{DR}$			—	2	2.4	V
Data Retention Current	$I_{DR}$	$V_{DD} = 2.4$			—	25	100	$\mu\text{A}$

\*Typical values are for  $T_A = 25^\circ\text{C}$  and nominal  $V_{DD}$ . <sup>A</sup>External Clock:  $f=5\text{ MHz}$ ,  $t_r, t_f=10\text{ ns}$ ,  $C_L=50\text{ pF}$ .

**TERMINAL ASSIGNMENT**



44-Lead  
Plastic Chip-Carrier  
Package (Q Suffix)

# CDP1804AC

T. 49.19.08

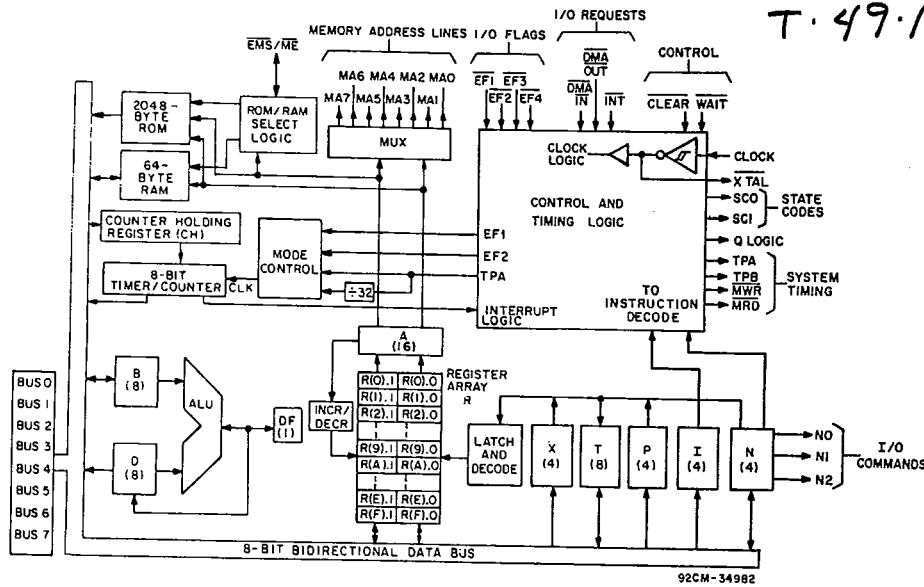


Fig. 2 - Block diagram for CDP1804AC.

### Enhanced 1804AC Operation

#### ROM/RAM

The 2K-byte ROM is mask-programmable and mask-selectable in any 2K block of the available 64K address space in the RUN (ROM/RAM) mode. (The procedure is detailed in the Mask-Programming section at the end of the data sheet.)

The 64-byte RAM is mask-selectable in any 64-byte block of memory in the RUN (ROM/RAM) mode. It may also be externally selected via the  $\overline{ME}$  input in the RUN (RAM only) mode.

The  $\overline{EMS}/\overline{ME}$  pin serves a dual function. In the RUN (ROM/RAM) mode, EMS acts as an active low output to indicate when the internal ROM or RAM is not selected. This provides a convenient chip-select signal for any optional expansion memory devices and a stable-address latch signal for synchronous RAMs. In the RUN (RAM only) mode,  $\overline{ME}$  acts as an active low input and is used to select the internal RAM, which is not mask-selected in this mode. Decoding is performed externally and the RAM may reside in any 64-byte block.

#### Timing

Timing for the CDP1804AC is the same as the CDP1802 microprocessor series, with the following exceptions:

- 4.5 clock cycles are provided for memory access instead of 5.
- Q changes 1/2 clock cycle earlier during the SEQ and REQ instructions.

- Flag lines ( $\overline{EF1}-\overline{EF4}$ ) are sampled at the end of the S0 cycle instead of at the beginning of the S1 cycle.
- Pause can only occur on the low-to-high transition of either TPA or TPB, instead of any negative clock transition.

#### Special Features

Schmitt triggers are provided on all inputs, except  $\overline{EMS}/\overline{ME}$ , and BUS 0 - BUS 7, for maximum immunity from noise and slow signal transitions. A Schmitt trigger in the oscillator section allows operation with an RC or crystal.

The CDP1802 series LOAD mode is not retained. This mode (WAIT, CLEAR=0) is the RUN (ROM/RAM) mode on the CDP1804AC.

A low power mode is provided, which is initiated via the IDLE instruction. In this mode all external signals, except the oscillator, are stopped on the low-to-high transition of TPB. All outputs remain in their previous states, MRD is set to a logic "1", and the data bus floats. The IDLE mode is exited by a DMA or INT condition. The INT includes both external interrupts and interrupts generated by the Counter/Timer. The only restrictions are that the Timer mode, which uses the  $TPA \div 32$  clock source, and the underflow condition of the Pulse Width Measurement modes are not available to exit the IDLE mode.

HARRIS SEMICONDUCTOR 37E D 4302271 0023069 2 HAS

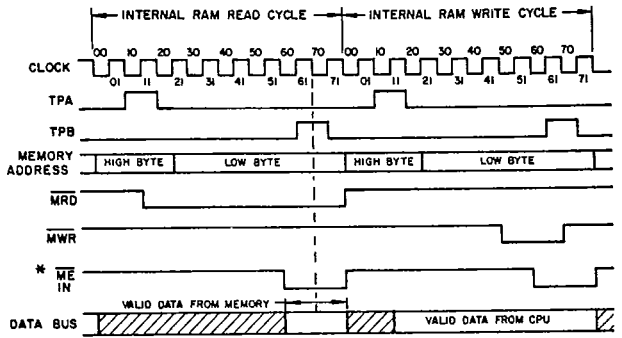


T 49-19-08

CDP1804AC

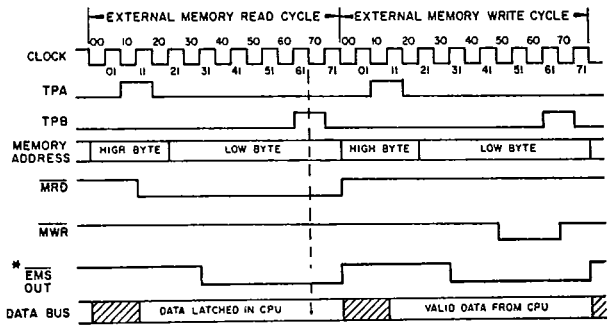
HARRIS SEMICONDUCTOR 37E D 430227J 0023070 9 HAS

TIMING WAVEFORMS FOR POSSIBLE OPERATING MODES



\*NOTE FOR RUN (RAM ONLY) MODE:  
ME HAS A MINIMUM SETUP AND HOLD TIME WITH RESPECT TO THE BEGINNING OF CLOCK 70. FOR A MEMORY READ OPERATION, RAM DATA WILL APPEAR ON THE DATA BUS DURING THE TIME ME IS ACTIVE AFTER CLOCK 31. THE TIME SHOWN CAN BE LONGER, IF FOR INSTANCE, A DMA OUT OPERATION IS PERFORMED ON INTERNAL RAM DATA, TO ALLOW DATA ENOUGH TIME TO BE LATCHED INTO AN EXTERNAL DEVICE. THE INTERNAL RAM IS AUTOMATICALLY DESELECTED AT THE END OF CLOCK 71, INDEPENDENT OF ME.  
NOTE FOR RUN (ROM/RAM) MODE:  
INTERNAL MEMORY DATA WILL APPEAR ON THE DATA BUS AFTER CLOCK PULSE 31. 92CS-34983

Fig. 3 - Internal memory operation timing waveforms for CDP1804AC.



\*FOR RUN (ROM/RAM) MODE ONLY.  
NOTE: FOR THE RUN (RAM ONLY) MODE ME MUST BE HIGH DURING EXTERNAL MEMORY ACCESSES. 92CS-34984

Fig. 4 - External memory operation timing waveforms for CDP1804AC.

SIGNAL DESCRIPTIONS

Bus 0 to BUS 7 (Data Bus):

8-bit bidirectional DATA BUS lines. These lines are used for transferring data between the memory, the microprocessor, and I/O devices.

N0 to N2 (I/O) Lines):

Activated by an I/O instruction to signal the I/O control logic of a data transfer between memory and I/O

interface. These lines can be used to issue command codes or device selection codes to the I/O devices. The N bits are low at all times except when an I/O instruction is being executed. During this time their state is the same as the corresponding bits in the N register. The direction of data flow is defined in the I/O instruction by bit N3 (internally) and is indicated by the level of the MRD signal:  
MRD = V<sub>DD</sub>: Input data from I/O to CPU and Memory  
MRD = V<sub>SS</sub>: Output data from Memory to I/O

## CDP1804AC

T. 49-19-08

HARRIS SEMICONDUCTOR SECTOR 37E D 4302271 0023071 0 HAS

2

**EF1 to EF4 (4 Flags):**

These inputs enable the I/O controllers to transfer status information to the processor. The levels can be tested by the conditional branch instructions. They can be used in conjunction with the INTERRUPT request line to establish interrupt priorities. The flag(s) are sampled at the end of every S0 cycle. EF1 and EF2 are also used for event counting and pulse-width measurement in conjunction with the Counter/Timer.

**INTERRUPT, DMA-IN, DMA-OUT (3 I/O Requests)**

DMA-IN and DMA-OUT are sampled during TPB every S1, S2, and S3 cycle. INTERRUPT is sampled during TPB every S1 and S2 cycle.

**Interrupt Action:** X and P are stored in T after executing current instruction; designator X is set to 2; designator P is set to 1; interrupt enable (MIE) is reset to 0 (inhibit); and instruction execution is resumed. The interrupt action requires one machine cycle (S3).

**DMA Action:** Finish executing current instruction; R(0) points to memory area for data transfer; data is loaded into or read out of memory; and R(0) is incremented.

**Note:** In the event of concurrent DMA and INTERRUPT requests, DMA-IN has priority followed by DMA-OUT and then Interrupt. (The interrupt request is not internally latched and must be held true after DMA).

**SC0, SC1, (2 State Code Lines):**

These outputs indicate that the CPU is: 1) fetching an instruction, or 2) executing an instruction, or 3) processing a DMA request, or 4) acknowledging an interrupt request. The levels of state code are tabulated below. All states are valid at TPA.

State Type	State Code Lines	
	SC1	SC0
S0 (Fetch)	L	L
S1 (Execute)	L	H
S2 (DMA)	H	L
S3 (Interrupt)	H	H

H = V<sub>DD</sub>, L = V<sub>SS</sub>.

**TPA, TPB (2 Timing Pulses):**

Positive pulses that occur once in each machine cycle (TPB follows TPA). They are used by I/O controllers to interpret codes and to time interaction with the data bus. The trailing edge of TPA is used by the memory system to latch the higher-order byte of the multiplexed 16-bit memory address.

**MA0 to MA7 (8 Memory Address Lines):**

In each cycle, the higher-order byte of a 16-bit memory address appears on the memory address lines MA0-7 first. Those bits required by the memory system can be strobed into external address latches by timing pulse TPA. The low-order byte of the 16-bit address appears on the address lines 1/2 clock after the termination of TPA.

**MWR (Write Pulse):**

A negative pulse appearing in a memory-write cycle, after the address lines have stabilized.

**MRD (Read Level):**

A low level on MRD indicates a memory read cycle. It can be used to control three-state outputs from the addressed memory and to indicate the direction of data transfer during and I/O instruction.

**Q:**

Single bit output from the CPU which can be set or reset, under program control. During SEQ or REQ instruction execution, Q is set or reset between the trailing edge of TPA and the leading edge of TPB. The Q-line can also be controlled by the Counter/Timer underflow via the Enable Toggle Q instruction. The Enable Toggle Q command connects the Q-line flip-flop to the output of the counter, such that each time the counter decrements from 01 to its next value, the Q line changes state. This command is cleared by a LOAD COUNTER (LDC) instruction with the Counter/Timer stopped, a CPU reset, or a BRANCH COUNTER INTERRUPT (BCI) instruction with the counter interrupt flip-flop set.

**CLOCK:**

Input for externally generated single-phase clock. The maximum clock frequency is 5 MHz at V<sub>DD</sub> = 5 V. The clock is counted down internally to 8 clock pulses per machine cycle.

**XTAL:**

Connection to be used with clock input terminal, for an external crystal, if the on-chip oscillator is utilized.

**WAIT, CLEAR (2 Control Lines):**

Provide four control modes as listed in the following truth table:

CLEAR	WAIT	MODE
L	L	RUN (ROM/RAM)
L	H	RESET
H	L	PAUSE
H	H	RUN (RAM ONLY)

**ME (Memory Enable) RUN (RAM ONLY) Mode**

This active low input is used to select or deselect the internal RAM. It must be active prior to clock 70 for an internal RAM access to take place. Internal RAM data will appear on the data bus during the time that ME is active (after clock 31). Thus, if this data is to be latched into an external device (i.e., during an OUTPUT instruction or DMA-OUT cycle), ME should be wide enough to provide enough time for valid data to be latched. The internal RAM is automatically deselected after clock 71. ME is ineffective when MRD • MWR = 1.

In the RUN (RAM ONLY) mode the internal RAM is not internally mask-decoded. Decoding of the starting address is performed externally, and may reside in any 64-byte block of memory.

T 49-19-08

HARRIS SEMICONDUCTOR SECTOR 37E D 430227J 0023072 2 ■ HAS

# CDP1804AC

## EMS (External Memory Select) RUN (ROM/RAM) Mode

This active low output is used for external memory expansion. It is low when external memory is being addressed and high at all other times. It is initiated 1.5 clock periods after TPA (at which time all addresses are stable) and terminates at the end of the cycle. Use of EMS for memory selection allows 3.5 clock cycles for data access.

Note that in the RUN (ROM/RAM) mode data from the internal ROM or RAM, when selected, will appear on the data bus after clock 31.

### V<sub>DD</sub>, V<sub>SS</sub>, (Power Levels):

V<sub>SS</sub> is the most negative supply voltage terminal and is normally connected to ground. V<sub>DD</sub> is the positive supply voltage terminal. All outputs swing from V<sub>SS</sub> to V<sub>DD</sub>. The recommended input voltage swing is from V<sub>SS</sub> to V<sub>DD</sub>.

## ARCHITECTURE

Fig. 2 shows a block diagram of the CDP1804AC. The principal feature of this system is a register array (R) consisting of sixteen 16-bit scratchpad registers. Individual registers in the array (R) are designated (selected) by a 4-bit binary code from one of the 4-bit registers labeled N, P, and X. The contents of any register can be directed to any one of the following paths:

1. the external memory (multiplexed, higher-order byte first, on to 8 memory address lines)
2. the D register (either of the two bytes can be gated to D)
3. the increment/decrement circuit where it is increased or decreased by one and stored back in the selected 16-bit register
4. to any other 16-bit scratch-pad register in the array.

The four paths, depending on the nature of the instruction, may operate independently or in various combinations in the same machine cycle.

Most instructions consist of two 8-clock-pulse machine cycles. The first cycle is the fetch cycle, and the second—and more if necessary—are execute cycles. During the fetch cycle the four bits in the P designator select one of the 16 registers R(P) as the current program counter. The selected register R(P) contains the address of the memory location from which the instruction is to be fetched. When the instruction is read out from the memory, the higher-order 4 bits of the instruction byte are loaded into the I register and the lower-order 4 bits into the N register. The content of the program counter is automatically incremented by one so that R(P) is now "pointing" to the next byte in the memory.

The X designator selects one of the 16 registers R(X) to "point" to the memory for an operand (or data) in certain ALU or I/O operations.

The N designator can perform the following five functions depending on the type of instruction fetched:

1. designate one of the 16 registers in R to be acted upon during register operations
2. indicate to the I/O devices a command code or device-selection code for peripherals
3. indicate the specific operation to be executed during the ALU instructions, types of tests to be performed during the Branch instructions, or the specific operation required in a class of miscellaneous instructions
4. indicate the value to be loaded into P to designate a new register to be used as the program counter R(P)
5. indicate the value to be loaded into X to designate a new register to be used as data pointer R(X).

The registers in R can be assigned by a programmer in three different ways as program counters, as data pointers, or as scratchpad locations (data registers) to hold two bytes of data.

### Program Counters

Any register can be the main program counter; the address of the selected register is held in the P designator. Other registers in R can be used as subroutine program counters. By a single instruction the contents of the P register can be changed to effect a "call" to a subroutine. When interrupts are being serviced, register R(1) is used as the program counter for the user's interrupt servicing routine. After reset, and during a DMA operation, R(0) is used as the program counter. At all other times the register designated as program counter is at the discretion of the user.

### Data Pointers

The registers in R may be used as data pointers to indicate a location in memory. The register designated by X (i.e., R(X)) points to memory for the following instructions (see Table I):

1. ALU operations
2. output instructions
3. input instructions
4. register to memory transfer
5. memory to register transfer
6. interrupt and subroutine handling.

The register designated by N (i.e., R(N)) points to memory for the "load D from memory" instructions 0N and 4N and the "Store D" Instruction 5N. The register designated by P (i.e., the program counter) is used as the data pointer for ALU instructions F8-FD, FF, 7C, 7D, 7F, and the RLDI instruction 68CN. During these instruction executions, the operation is referred to as "data immediate".

Another important use of R as a data pointer supports the built-in Direct-Memory-Access (DMA) function. When a DMA-In or DMA-Out request is received, one machine cycle is "stolen". This operation occurs at the end of the execute machine cycle in the current instruction. Register R(0) is always used as the data pointer during the DMA operation. The data is read from (DMA-Out) or written into (DMA-In) the memory location pointed to by the R(0) register. At the end of the transfer, R(0) is incremented by one so that the processor is ready to act upon the next DMA byte transfer request. This feature in the CDP1804AC architecture saves a substantial amount of logic when fast exchanges of blocks of data are required, such as with magnetic discs or during CRT-display-refresh cycles.

### Data Registers

When registers in R are used to store bytes of data, instructions are provided which allow D to receive from or write into either the higher-order- or lower-order-byte portions of the register designated by N. By this mechanism (together with loading by data immediate) program pointer and data pointer designations are initialized. Also, this technique allows scratchpad registers in R to be used to hold general data. By employing increment or decrement instructions, such registers may be used as loop counters. The new RLDI, RLXA, RSXD, and RNX instructions also allow loading, storing, and exchanging the full 16-bit contents of the R registers without affecting the D register. The new DBNZ instruction allows decrementing and branching-on-not-zero of any 16-bit R register also without affecting the D register.





7-49-19-08 HAS

# CDP1804AC

## Counter/Timer and Controls (See Fig. 6)

This logic consists of a presettable 8-bit down-counter (Modulo N type), and a conditional divide-by-32 prescaler. After counting down to (01)<sub>16</sub> the counter returns to its initial value at the next count and sets the Counter Interrupt Latch. It will continue decrementing on subsequent counts. If the counter is preset to (00)<sub>16</sub> a full 256 counts will occur.

During a Load Counter instruction (LDC) if the counter was stopped with a STPC instruction, the counter and its holding register (CH) are loaded with the value in the D register and any previous counter interrupt is cleared. If the LDC is executed when the counter is running, the contents of the D register are loaded into the holding register (CH) only and any previous counter interrupt is not cleared. (LDC resets the Counter Interrupt Latch only when the counter is stopped). After counting down to (01)<sub>16</sub> the next count will load the new initial value into the counter, set the Counter Interrupt Latch, and operation will continue.

The Counter/Timer has the following five programmable modes:

1. Event Counter 1: Input to counter is connected to the  $\overline{EF1}$  terminal. The high-to-low transition decrements the counter.
2. Event Counter 2: Input to counter is connected to the  $\overline{EF2}$  terminal. The high-to-low transition decrements the counter.
3. Timer: Input to counter is from the divide-by-32 prescaler clocked by TPA. The prescaler is decremented on the low-to-high transition of TPA. The divide-by-32 prescaler is reset when the counter is in a mode other than the Timer mode, system reset, or stopped by a STPC.
4. Pulse Duration Measurement 1: Input to counter connected to TPA. Each low-to-high transition of

- TPA decrements the counter if the input signal at  $\overline{EF1}$  terminal (gate input) is low. On the transition of  $\overline{EF1}$  to the positive state, the count is stopped, the mode is cleared, and the interrupt request latched. If the counter underflows while the input is low, interrupt will also be set, but counting will continue.
5. Pulse Duration Measurement 2: Operation is identical to Pulse Duration Measurement 1, except  $\overline{EF2}$  is used as the gate input.

The modes can be changed without affecting the stored count.

Those modes which use  $\overline{EF1}$  and  $\overline{EF2}$  terminals as inputs do not exclude testing these flags for branch instructions.

The Stop Counter (STPC) instruction clears the counter mode and stops counting. The STPC instruction should be executed prior to a GEC instruction, if the counter is in the Event Counter Mode 1 or 2.

In addition to the five programmable modes, the Decrement Counter instruction (DTC) enables the user to count in software. In order to avoid conflict with counting done in other modes, the instruction should be used only after the mode has been cleared by a Stop Counter instruction.

The Enable Toggle Q instruction (ETQ) connects the Q-line flip-flop to the output of the counter, such that each time the counter decrements from 01 to its next value, the Q output changes state. This action is independent of the counter mode and the Interrupt Enable flip-flops. The Enable Toggle Q condition is cleared by an LDC with Counter/Timer stopped; system Reset, or a BCI with CI=1. Note that SEQ and REQ instructions are independent of ETQ.—they can Set or Reset Q while the counter is running.

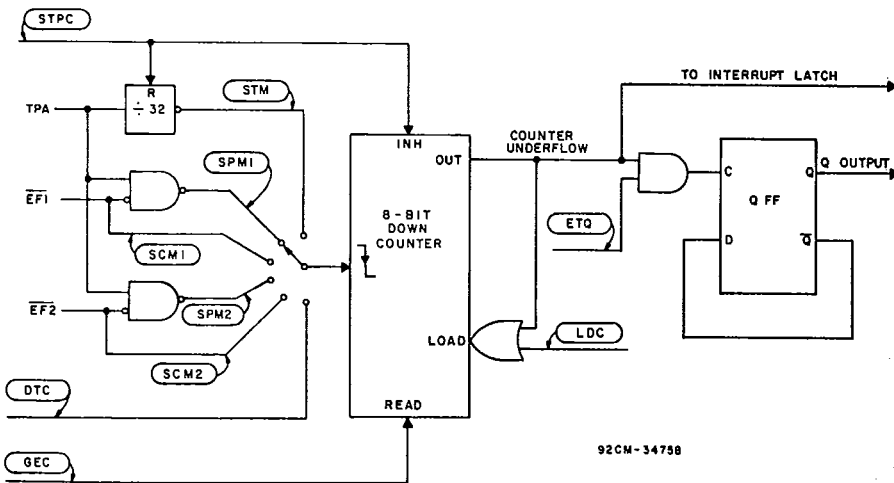


Fig. 6 - Counter/Timer diagram for CDP1804AC.

HARRIS SEMICONDUCTOR

37E D

430227J

6

HAS

**CDP1804AC**

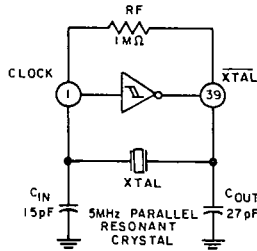
T-49-19-08

**On-Chip Clock (See Figs. 7, 8 and 9)**

Clock circuits may use either an external crystal or an RC network.

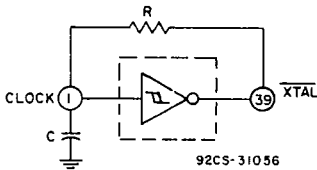
A typical crystal oscillator circuit is shown in Fig. 7. The crystal is connected between terminals 1 and 39 (CLOCK and XTAL) in parallel with a resistance. RF (1 megohm typ.). Frequency trimming capacitors, C<sub>IN</sub> and C<sub>OUT</sub>, may be required at terminals 1 and 39. For additional information on crystal oscillators, see ICAN-6565.

Because of the Schmitt Trigger input, an RC oscillator can be used as shown in Fig. 8. The frequency is approximately 1/RC (See Fig. 9).



92CS-38099

Fig. 7 - Typical 5-MHz crystal oscillator.



92CS-31056

Fig. 8 - RC network for oscillator.

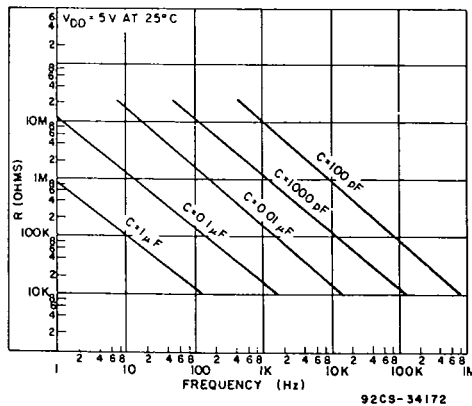


Fig. 9 - Nominal component values as a function of frequency for the RC oscillator.

**CONTROL MODES**

CLEAR	WAIT	MODE
L	L	RUN (ROM/RAM)
L	H	RESET
H	L	PAUSE
H	H	RUN (RAM ONLY)

The function of the modes are defined as follows:

**RESET**

The levels of the CDP1804A external signal lines will asynchronously be forced by RESET to the following states:

Q=0                    SC1,SC0=0, 1    BUS 0-7=0  
 EMS,ME=INPUT (EXECUTE)    MA0-7=RO.1  
 MRD=1                N0, N1, N2=0, 0, 0    TPA=0  
 TPB=0                MWR=1

**Internal changes caused by RESET are:**

I, N instruction register is cleared to 00. XIE and CIE are set to allow interrupts following initialize. CIL is cleared (any pending counter interrupt is cleared), counter is stopped, the counter mode is cleared, and ETQ is disabled.

**Initialization Cycle**

The first machine cycle following termination of RESET is an initialization cycle which requires 9 clock pulses. During this cycle the CPU remains in S1 and the following additional changes occur:

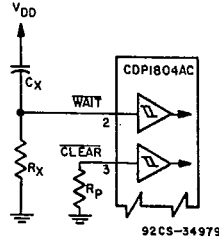
- I - MIE
  - X, P - T (The old value of X, P will be put into T. This only has meaning following an orderly Reset with power applied).
  - X, P, RO - 0 (X, P and RO are cleared).
- Interrupt and DMA servicing is suppressed during the initialization cycle. The next cycle is an S0 or an S2 but never an S1 or S3. The use of a 71 instruction followed by 00 at memory locations 0000 and 0001, may be used to reset MIE so as to preclude interrupts until ready for them.

**Reset and Initialize do not affect:**

- D (Accumulator)
- DF
- R1, R2, R3, R4, R5, R6, R7, R8, R9, RA, RB, RC, RD, RE, RF
- CH (Counter Holding Register)
- Counter (the counter is stopped but the value is unaffected)

**Power-up Reset/Run Circuits**

Power-up Reset/Run (ROM/RAM) and Reset/Run (RAM only) can be realized with the circuits shown in Fig. 10 and 11.



The RC time constant should be greater than the oscillator start-up time (typically 20 ms).

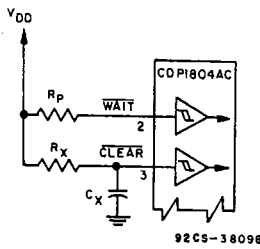
Fig. 10 - Reset/Run (ROM/RAM) diagram.

HARRIS SEMICONDUCTOR 37E D 430227J 0023075 8 HAS



T 49 19 08

CDP1804AC



The RC time constant should be greater than the oscillator start-up time (typically 20 ms).

Fig. 11 - Reset/Run (RAM only) diagram.

PAUSE

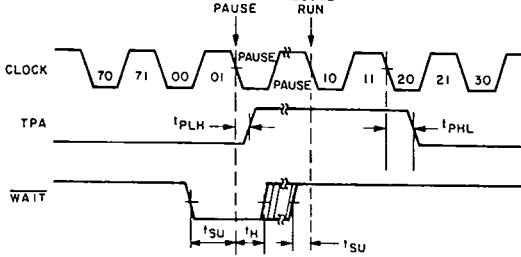
Pause is a low power mode which stops the internal CPU timing generator and freezes the state of the processor. The CPU may be held in the Pause mode indefinitely. Hardware pause can occur at two points in a machine cycle, on the low to high transition of either TPA or TPB. A TPB pause can also be initiated by software with the execution of an IDLE instruction. In the pause mode, the oscillator continues to run but subsequent clock transitions are ignored. TPA and TPB remain at their previous state (see Fig. 12).

Pause is entered from RUN (RAM only) by dropping WAIT low, and from RUN (ROM/RAM) by raising CLEAR high. Appropriate setup and hold times must be met.

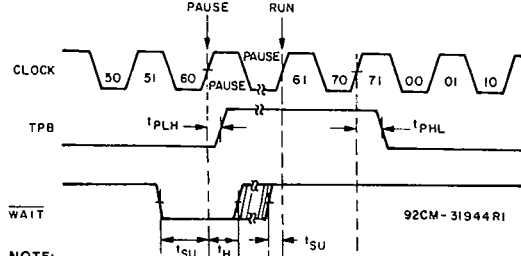
If Pause is entered while in the event counter mode, the appropriate Flag transition will continue to decrement the counter.

Hardware-initiated pause is exited to RUN (RAM only) by raising the Wait line, and the RUN (ROM/RAM) by lowering CLEAR. Pause entered with an IDLE instruction requires DMA, INTERRUPT or RESET to resume execution.

TPA PAUSE TIMING



TPB PAUSE TIMING



NOTE: PAUSE (IN CLOCK WAVEFORM) WHILE REPRESENTED HERE AS ONE CLOCK CYCLE IN DURATION, COULD BE INFINITELY LONG.

Fig. 12 - Pause mode timing waveforms.

RUN

May be initiated from the Pause or Reset mode functions. If initiated from Pause, the CPU resumes operation at the point it left off. If paused at TPA, it will resume on the next high-to-low clock transition, while if paused at TPB, it will resume on the next low-to-high clock transition. (See Fig. 12). When initiated from the Reset operation, the first machine cycle following Reset is always the initialization cycle. The initialization cycle is then followed by a DMA (S2) cycle or fetch (S0) from location 0000 in memory.

SCHMITT TRIGGER INPUTS

All inputs except BUS 0 - BUS 7 and ME contain a Schmitt Trigger circuit, which is especially useful on the CLEAR Input as a power-up RESET (See Fig. 10 and 11) and the CLOCK input (See Fig. 7 and 8).

STATE TRANSITIONS

The CDP1804AC state transitions are shown in Fig. 13. Each machine cycle requires the same period of time, 8 clock pulses, except the initialization cycle (INT) which requires 9 clock pulses. Reset is asynchronous and can be forced at any time.

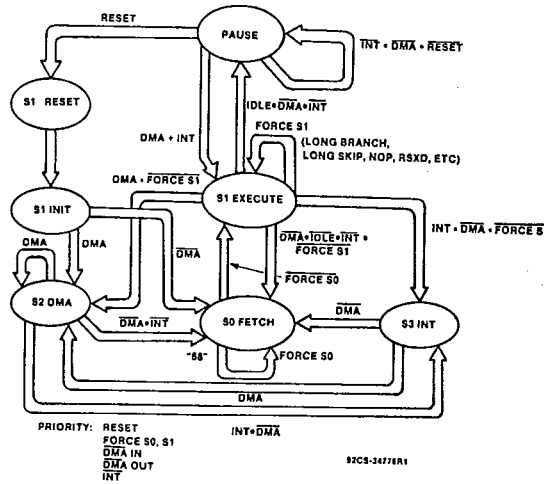


Fig. 13 - State transition diagram.

HARRIS SEMICONDUCTOR 37E D 430227J 0023076 T

CDP1804AC

T 49.19.08

INSTRUCTION SET

The CDP1804AC instruction summary is given in Table I. Hexadecimal notation is used to refer to the 4-bit binary codes.

In all registers bits are numbered from the least significant bit (LSB) to the most significant bit (MSB) starting with 0.

R(W): Register designated by W, where W=N or X, or P

R(W).0: Lower-order byte of R(W)

R(W).1: Higher-order byte of R(W)

Operation Notation

M(R(N))-D; R(N) + 1-R(N)

This notation means: The memory byte pointed to by R(N) is loaded into D, and R(N) is incremented by 1.

TABLE I - INSTRUCTION SUMMARY

INSTRUCTION	NO. OF MACHINE CYCLES	MNEMONIC	OP CODE	OPERATION
<b>MEMORY REFERENCE</b>				
LOAD IMMEDIATE	2	LDI	F8	M(R(P))-D; R(P)+1-R(P)
REGISTER LOAD IMMEDIATE	5	RLDI	68CN <sup>■</sup>	M(R(P))-R(N).1; M(R(P))+1-R(N).0; R(P)+2-R(P)
LOAD VIA N	2	LDN	0N	M(R(N))-D; FOR N NOT 0
LOAD ADVANCE	2	LDA	4N	M(R(N))-D; R(N)+1-R(N)
LOAD VIA X	2	LDX	F0	M(R(X))-D
LOAD VIA X AND ADVANCE	2	LDXA	72	M(R(X))-D; R(X)+1-R(X)
REGISTER LOAD VIA X AND ADVANCE	5	RLXA	686N <sup>■</sup>	M(R(X))-R(N).1; M(R(X))+1-R(N).0; R(X)+2-R(X)
STORE VIA N	2	STR	5N	D-M(RN))
STORE VIA X AND DECREMENT	2	STXD	73	D-M(R(X)); R(X)-1-R(X)
REGISTER STORE VIA X AND DECREMENT	5	RSXD	68AN <sup>■</sup>	R(N).0-M(R(X)); R(N).1-M(R(X)-1); R(X)-2-R(X)
<b>REGISTER OPERATIONS</b>				
INCREMENT REG N	2	INC	1N	R(N)+1-R(N)
DECREMENT REG N	2	DEC	2N	R(N)-1-R(N)
DECREMENT REG N AND LONG BRANCH IF NOT EQUAL 0	5	DBNZ	682N	R(N)-1-R(N); IF R(N) NOT 0, M(R(P))-R(P).1, M(R(P))+1-R(P).0, ELSE R(P)+2-R(P)
INCREMENT REG X	2	IRX	60	R(X)+1-R(X)
GET LOW REG N	2	GLO	8N	R(N).0-D
PUT LOW REG N	2	PLO	AN	D-R(N).0
GET HIGH REG N	2	GHI	9N	R(N).1-D
PUT HIGH REG N	2	PHI	BN	D-R(N).1
REGISTER N TO REGISTER X COPY	4	RNX	68BN <sup>■</sup>	R(N)-R(X)
<b>LOGIC OPERATIONS (Note 5)</b>				
OR	2	OR	F1	M(R(X)) OR D-D
OR IMMEDIATE	2	ORI	F9	M(R(P)) OR D-D; R(P)+1-R(P)
EXCLUSIVE OR	2	XOR	F3	M(R(X)) XOR D-D
EXCLUSIVE OR IMMEDIATE	2	XRI	FB	M(R(P)) XOR D-D; R(P)+1-R(P)
AND	2	AND	F2	M(R(X)) AND D-D
AND IMMEDIATE	2	ANI	FA	M(R(P)) AND D-D; R(P)+1-R(P)
SHIFT RIGHT	2	SHR	F6	SHIFT D RIGHT, LSB(D)-DF, 0-MSB(D)
SHIFT RIGHT WITH CARRY	2	SHRC	76 <sup>▲</sup>	SHIFT D RIGHT, LSB(D)-DF, DF-MSB(D)
RING SHIFT RIGHT	2	RSHR		
SHIFT LEFT	2	SHL	FE	SHIFT D LEFT, MSB(D)-DF, 0-LSB(D)

■ Previous contents of T register are destroyed during instruction execution.

▲ This instruction is associated with more than one mnemonic. Each mnemonic is individually listed.



T. 49.19.08

## CDP1804AC

Table I — INSTRUCTION SUMMARY (Cont'd)

INSTRUCTION	NO. OF MACHINE CYCLES	MNEMONIC	OP CODE	OPERATION
LOGIC OPERATIONS (Note 5) (Cont'd)				
SHIFT LEFT WITH CARRY	2	SHLC	7E <sup>▲</sup>	SHIFT D LEFT, MSB(D)→DF, DF→LSB(D)
RING SHIFT LEFT	2	RSHL		
ARITHMETIC OPERATIONS (Note 5)				
ADD	2	ADD	F4	M(R(X))+D→DF, D
DECIMAL ADD	4	DADD	68F4	M(R(X))+D→DF, D DECIMAL ADJUST→DF, D
ADD IMMEDIATE	2	ADI	FC	M(R(P))+D→DF, D; R(P)+1→R(P)
DECIMAL ADD IMMEDIATE	4	DADI	68FC	M(R(P))+D→DF, D R(P)+1→R(P) DECIMAL ADJUST→DF, D
ADD WITH CARRY	2	ADC	74	M(R(X))+D+DF→DF, D
DECIMAL ADD WITH CARRY	4	DADC	6874	M(R(X))+D+DF→DF, D DECIMAL ADJUST→DF, D
ADD WITH CARRY, IMMEDIATE	2	ADCI	7C	M(R(P))+D+DF→DF, D
DECIMAL ADD WITH CARRY, IMMEDIATE	4	DACI	687C	M(R(P))+D+DF→DF, D R(P)+1→R(P) DECIMAL ADJUST→DF, D
SUBTRACT D	2	SD	F5	M(R(X))-D→DF, D
SUBTRACT D IMMEDIATE	2	SDI	FD	M(R(P))-D→DF, D; R(P)+1→R(P)
SUBTRACT D WITH BORROW	2	SDB	75	M(R(X))-D-(NOT DF)→DF, D
SUBTRACT D WITH BORROW, IMMEDIATE	2	SDBI	7D	M(R(P))-D-(NOT DF)→DF, D; R(P)+1→R(P)
SUBTRACT MEMORY	2	SM	F7	D-M(R(X))→DF, D
DECIMAL SUBTRACT MEMORY	4	DSM	68F7	D-M(R(X))→DF, D DECIMAL ADJUST→DF, D
SUBTRACT MEMORY IMMEDIATE	2	SMI	FF	D-M(R(P))→DF, D; R(P)+1→R(P)
DECIMAL SUBTRACT MEMORY, IMMEDIATE	4	DSMI	68FF	D-M(R(P))→DF, D R(P)+1→R(P) DECIMAL ADJUST→DF, D
SUBTRACT MEMORY WITH BORROW	2	SMB	77	D-M(R(X))-(NOT DF)→DF, D
DECIMAL SUBTRACT MEMORY WITH BORROW	4	DSMB	6877	D-M(R(X))-(NOT DF)→DF, D DECIMAL ADJUST→DF, D
SUBTRACT MEMORY WITH BORROW, IMMEDIATE	2	SMBI	7F	D-M(R(P))-(NOT DF)→DF, D R(P)+1→R(P)
DECIMAL SUBTRACT MEMORY WITH BORROW, IMMEDIATE	4	DSBI	687F	D-M(R(P))-(NOT DF)→DF, D R(P)+1→R(P) DECIMAL ADJUST→DF, D
BRANCH INSTRUCTIONS — SHORT BRANCH				
SHORT BRANCH	2	BR	30	M(R(P))→R(P).0
NO SHORT BRANCH (SEE SKP)	2	NBR	38 <sup>▲</sup>	R(P)+1→R(P)
SHORT BRANCH IF D = 0	2	BZ	32	IF D = 0, M(R(P))→R(P).0 ELSE R(P)+1→R(P)
SHORT BRANCH IF D NOT 0	2	BNZ	3A	IF D NOT 0, M(R(P))→R(P).0 ELSE R(P)+1→R(P)

<sup>▲</sup>This instruction is associated with more than one mnemonic. Each mnemonic is individually listed.

CDP1804AC

T 49-19-08

Table I — INSTRUCTION SUMMARY (Cont'd)

INSTRUCTION	NO. OF MACHINE CYCLES	MNEMONIC	OP CODE	OPERATION
<b>BRANCH INSTRUCTIONS — SHORT BRANCH (Cont'd)</b>				
SHORT BRANCH IF DF = 1	2	BDF	33 <sup>▲</sup>	IF DF = 1, M(R(P))→R(P).0 ELSE R(P)+1→R(P)
SHORT BRANCH IF POS OR ZERO	2	BPZ		
SHORT BRANCH IF EQUAL OR GREATER	2	BGE		
SHORT BRANCH IF DF = 0	2	BNF	3B <sup>▲</sup>	IF D = 0, M(R(P))→R(P).0 ELSE R(P)+1→R(P)
SHORT BRANCH IF MINUS	2	BM		
SHORT BRANCH IF LESS	2	BL		
SHORT BRANCH IF Q = 1	2	BQ	31	IF Q = 1, M(R(P))→R(P).0 ELSE R(P)+1→R(P)
SHORT BRANCH IF Q = 0	2	BNQ	39	IF Q = 0, M(R(P))→R(P).0 ELSE R(P)+1→R(P)
SHORT BRANCH IF EF1 = 1 (EF1 = V <sub>ss</sub> )	2	B1	34	IF EF1 = 1, M(R(P))→R(P).0 ELSE R(P)+1→R(P)
SHORT BRANCH IF EF1 = 0 (EF1 = V <sub>DD</sub> )	2	BN1	3C	IF EF1 = 0, M(R(P))→R(P).0 ELSE R(P)+1→R(P)
SHORT BRANCH IF EF2 = 1 (EF2 = V <sub>ss</sub> )	2	B2	35	IF EF2 = 1, M(R(P))→R(P).0 ELSE R(P)+1→R(P)
SHORT BRANCH IF EF2 = 0 (EF2 = V <sub>DD</sub> )	2	BN2	3D	IF EF2 = 0, M(R(P))→R(P).0 ELSE R(P)+1→R(P)
SHORT BRANCH IF EF3 = 1 (EF3 = V <sub>ss</sub> )	2	B3	36	IF EF3 = 1, M(R(P))→R(P).0 ELSE R(P)+1→R(P)
SHORT BRANCH IF EF3 = 0 (EF3 = V <sub>DD</sub> )	2	BN3	3E	IF EF3 = 0, M(R(P))→R(P).0 ELSE R(P)+1→R(P)
SHORT BRANCH IF EF4 = 1 (EF4 = V <sub>ss</sub> )	2	B4	37	IF EF4 = 1, M(R(P))→R(P).0 ELSE R(P)+1→R(P)
SHORT BRANCH IF EF4 = 0 (EF4 = V <sub>DD</sub> )	2	BN4	3F	IF EF4 = 0, M(R(P))→R(P).0 ELSE R(P)+1→R(P)
SHORT BRANCH ON COUNTER INTERRUPT	3	BCI	683E*	IF CI=1, M(R(P))→R(P).0; 0→CI ELSE R(P)+1→R(P)
SHORT BRANCH ON EXTERNAL INTERRUPT	3	BXI	683F	IF XI=1, M(R(P))→R(P).0 ELSE R(P)+1→R(P)
<b>BRANCH INSTRUCTIONS — LONG BRANCH</b>				
LONG BRANCH	3	LBR	C0	M(R(P))→R(P).1, M(R(P)+1)→R(P).0
NO LONG BRANCH (SEE LSKP)	3	NLBR	C8 <sup>▲</sup>	R(P)+2→R(P)
LONG BRANCH IF D = 0	3	LBZ	C2	IF D = 0, M(R(P))→R(P).1 M(R(P)+1)→R(P).0 ELSE R(P)+2→R(P)
LONG BRANCH IF D NOT 0	3	LBNZ	CA	IF D NOT 0, M(R(P))→R(P).1 M(R(P)+1)→R(P).0 ELSE R(P)+2→R(P)
LONG BRANCH IF DF = 1	3	LBDF	C3	IF DF = 1, M(R(P))→R(P).1 M(R(P)+1)→R(P).0 ELSE R(P)+2→R(P)
LONG BRANCH IF DF = 0	3	LBNF	CB	IF DF = 0, M(R(P))→R(P).1 M(R(P)+1)→R(P).0 ELSE R(P)+2→R(P)
LONG BRANCH IF Q = 1	3	LBQ	C1	IF Q = 1, M(R(P))→R(P).1 M(R(P)+1)→R(P).0 ELSE R(P)+2→R(P)
LONG BRANCH IF Q = 0	3	LBNQ	C9	IF Q = 0, M(R(P))→R(P).1 M(R(P)+1)→R(P).0 ELSE R(P)+2→R(P)

▲ This instruction is associated with more than one mnemonic. Each mnemonic is individually listed.

\* ETO cleared by LDC with the Counter/Timer stopped, reset of CPU, or BCI • (CI=1).

CI = Counter Interrupt, XI = External Interrupt.

HARRIS SEMICONDUCTOR SECTOR 37E D 430227J 0023079 5 HAS

2

## CDP1804AC

Table 1 — INSTRUCTION SUMMARY (Cont'd)

INSTRUCTION	NO. OF MACHINE CYCLES	MNEMONIC	OP CODE	OPERATION
<b>SKIP INSTRUCTIONS</b>				
SHORT SKIP (SEE NBR)	2	SKP	38 <sup>▲</sup>	R(P)+1-R(P)
LONG SKIP (SEE NLBR)	3	LSKP	C8 <sup>▲</sup>	R(P)+-R(P)
LONG SKIP IF D = 0	3	LSZ	CE	IF D = 0, R(P)+2-R(P) ELSE CONTINUE
LONG SKIP IF D NOT 0	3	LSNZ	C6	IF D NOT 0, R(P)+2-R(P) ELSE CONTINUE
LONG SKIP IF DF = 1	3	LSDF	CF	IF DF = 1, R(P)+2-R(P) ELSE CONTINUE
LONG SKIP IF DF = 0	3	LSNF	C7	IF DF = 0, R(P)+2-R(P) ELSE CONTINUE
LONG SKIP IF Q = 1	3	LSQ	CD	IF Q = 1, R(P)+2-R(P) ELSE CONTINUE
LONG SKIP IF Q = 0	3	LSNQ	C5	IF Q = 0, R(P)+2-R(P) ELSE CONTINUE
LONG SKIP IF MIE = 1	3	LSIE	CC	IF MIE = 1, R(P)+2-R(P) ELSE CONTINUE
<b>CONTROL INSTRUCTIONS</b>				
IDLE	2	IDL	00 <sup>#</sup>	STOP ON TPB; WAIT FOR DMA OR INTERRUPT; BUS FLOATS
NO OPERATION	3	NOP	C4	CONTINUE
SET P	2	SEP	DN	N-P
SET X	2	SEX	EN	N-X
SET Q	2	SEQ	7B	1-Q
RESET Q	2	REQ	7A	0-Q
PUSH X, P TO STACK	2	MARK	79	(X, P)-T; (X, P)-M(R(2)) THEN P-X; R(2)-1-R(2)
<b>TIMER/COUNTER INSTRUCTIONS</b>				
LOAD COUNTER	3	LDC	6806 <sup>*</sup>	CNTR STOPPED; D-CH, CNTR; 0=CI.CNTR RUNNING; D-CH
GET COUNTER	3	GEC	6808	CNTR-D
STOP COUNTER	3	STPC	6800	STOP CNTR CLOCK; 0-+32 PRESCALER
DECREMENT TIMER/COUNTER	3	DTC	6801	CNTR-1-CNTR
SET TIMER MODE AND START	3	STM	6807	TPA+32-CNTR
SET COUNTER MODE 1 AND START	3	SCM1	6805	EF1-CNTR CLOCK
SET COUNTER MODE 2 AND START	3	SCM2	6803	EF2-CNTR CLOCK
SET PULSE WIDTH MODE 1 AND START	3	SPM1	6804	TPA.EF1-CNTR CLOCK; EF1 ✗ STOPS COUNT
SET PULSE WIDTH MODE 2 AND START	3	SPM2	6802	TPA.EF2-CNTR CLOCK; EF2 ✗ STOPS COUNT
ENABLE TOGGLE Q	3	ETQ	6809 <sup>*</sup>	IF CNTR = 01 • NEXT CNTR CLOCK ✗ : Q-Q

<sup>▲</sup>This instruction is associated with more than one mnemonic. Each mnemonic is individually listed.

<sup>#</sup>An IDLE instruction initiates an S1 cycle. All external signals, except the oscillator, are stopped on the low-to-high transition of TPB. All outputs remain in their previous states. MRD, MWR, EMS are set to a logic '1' and the data bus floats. The processor will continue to IDLE until an I/O request (INTERRUPT, DMA-IN, or DMA-OUT) is activated. When the request is acknowledged, the IDLE cycle is terminated and the I/O request is serviced, and the normal operation is resumed. (To respond to an INTERRUPT during an IDLE, MIE and either CIE or XIE must be enabled).

<sup>\*</sup> ETQ cleared by LDC with the Counter/Timer stopped, reset of CPU or BCI (CI = 1).

CI = Counter Interrupt, XI = External Interrupt.

## CDP1804AC

T.49.19.08

Table I — INSTRUCTION SUMMARY (Cont'd)

INSTRUCTION	NO. OF MACHINE CYCLES	MNEMONIC	OP CODE	OPERATION
<b>INTERRUPT CONTROL</b>				
EXTERNAL INTERRUPT ENABLE	3	XIE	680A	1-XIE
EXTERNAL INTERRUPT DISABLE	3	XID	680B	0-XIE
COUNTER INTERRUPT ENABLE	3	CIE	680C	1-CIE
COUNTER INTERRUPT DISABLE	3	CID	680D	0-CIE
RETURN	2	RET	70	M(R(X))-X, P; R(X)+1-R(X); 1-MIE
DISABLE	2	DIS	71	M(R(X))-X, P; R(X)+1-R(X); 0-MIE
SAVE	2	SAV	78	T-M(R(X))
SAVE T, D, DF	6	DSAV	6876 <sup>■</sup>	R(X)-1-R(X), T-M(R(X)), R(X)-1-R(X), D-M(R(X)), R(X)-1-R(X), SHIFT D RIGHT WITH CARRY, D-M(R(X))
<b>INPUT-OUTPUT BYTE TRANSFER</b>				
OUTPUT 1	2	OUT 1	61	M(R(X))-BUS; R(X)+1-R(X); N LINES = 1
OUTPUT 2	2	OUT 2	62	M(R(X))-BUS; R(X)+1-R(X); N LINES = 2
OUTPUT 3	2	OUT 3	63	M(R(X))-BUS; R(X)+1-R(X); N LINES = 3
OUTPUT 4	2	OUT 4	64	M(R(X))-BUS; R(X)+1-R(X); N LINES = 4
OUTPUT 5	2	OUT 5	65	M(R(X))-BUS; R(X)+1-R(X); N LINES = 5
OUTPUT 6	2	OUT 6	66	M(R(X))-BUS; R(X)+1-R(X); N LINES = 6
OUTPUT 7	2	OUT 7	67	M(R(X))-BUS; R(X)+1-R(X); N LINES = 7
INPUT 1	2	INP 1	69	BUS-M(R(X)); BUS-D; N LINES = 1
INPUT 2	2	INP 2	6A	BUS-M(R(X)); BUS-D; N LINES = 2
INPUT 3	2	INP 3	6B	BUS-M(R(X)); BUS-D; N LINES = 3
INPUT 4	2	INP 4	6C	BUS-M(R(X)); BUS-D; N LINES = 4
INPUT 5	2	INP 5	6D	BUS-M(R(X)); BUS-D; N LINES = 5
INPUT 6	2	INP 6	6E	BUS-M(R(X)); BUS-D; N LINES = 6
INPUT 7	2	INP 7	6F	BUS-M(R(X)); BUS-D; N LINES = 7
<b>CALL AND RETURN</b>				
STANDARD CALL	10	SCAL	688N <sup>■</sup>	R(N).0-M(R(X)); R(N).1-M(R(X)-1); R(X)-2-R(X); R(P)-R(N); THEN M(R(N))-R(P).1; M(R(N)+1)-R(P).0; R(N)+2-R(N)
STANDARD RETURN	8	SRET	689N <sup>■</sup>	R(N)-R(P); M(R(X)+1)-R(N).1; M(R(X)+2)-R(N).0; R(X)+2-R(X)

■ Previous contents of T register are destroyed during instruction execution.

2



T 49-19-08

## CDP1804AC

## NOTES FOR TABLE I

1. Long-Branch, Long-Skip and No Op instructions require three cycles to complete (1 fetch + 2 execute).

Long-Branch instructions are three bytes long. The first byte specifies the condition to be tested; and the second and third byte, the branching address.

The long-branch instructions can:

- Branch unconditionally
- Test for D=0 or D≠0
- Test for DF=0 or DF=1
- Test for Q=0 or Q=1
- Effect an unconditional no branch

If the tested condition is met, then branching takes place; the branching address bytes are loaded in the high-and-low-order bytes of the current program counter, respectively. This operation effects a branch to any memory location.

If the tested condition is not met, the branching address bytes are skipped over, and the next instruction in sequence is fetched and executed. This operation is taken for the case of unconditional no branch (NLBR).

2. The short-branch instructions are two or three bytes long. The first byte specifies the condition to be tested, and the second specifies the branching address, except for the branches on interrupt. For those, the first two bytes specify the condition to be tested and the third byte specifies the branching address.

The short branch instruction can:

- Branch unconditionally
- Test for D=0 or D≠0
- Test for DF=0 or DF=1
- Test for Q=0 or Q=1
- Test the status (1 or 0) of the four EF flags
- Effect an unconditional no branch
- Test for counter or external interrupts (BCI, BXI)

If the tested condition is met, then branching takes place; the branching address byte is loaded into the low-order byte position of the current program counter. This effects a branch within the current 256-byte page of the memory, i.e., the page which holds the branching address. If the tested condition is not met, the branching address byte is skipped over, and the next instruction in sequence is fetched and executed. This same action is taken in the case of unconditional no branch (NBR).

3. The skip instructions are one byte long. There is one Unconditional Short-Skip (SKP) and eight Long-Skip instructions.

The Unconditional Short-Skip instruction takes 2 cycles to complete (1 fetch + 1 execute). Its action is to skip over the byte following it. Then the next instruction in sequence is fetched and executed. This SKP instruction is identical to the unconditional no-branch instruction (NBR) except that the skipped-over byte is not considered part of the program.

The Long-Skip instructions take three cycles to complete (1 fetch + 2 execute).

They can:

- Skip unconditionally
- Test for D=0 or D≠0
- Test for DF=0 or DF=1
- Test for Q=0 or Q=1
- Test for MIE=1

If the tested condition is met, then Long Skip takes place; the current program counter is incremented twice. Thus two bytes are skipped over and the next instruction in sequence is fetched and executed. If the tested condition is not met, then no action is taken. Execution is continued by fetching the next instruction in sequence.

4. Instruction 6800 through 68FF take a minimum of 3 machine cycles and up to a maximum of 10 machine cycles. In all cases, the first two cycles are fetches and subsequent cycles are executes. The first byte (68) of these two-byte op codes is used to generate the second fetch, the second byte is then interpreted differently than the same code without the 68 prefix. DMA and INT requests are not serviced until the end of the last execute cycle.

5. Arithmetic Operations:

The arithmetic and shift operations are the only instructions that can alter the content of DF. The syntax '(NOT DF)' denotes the subtraction of the borrow.

Binary Operations:

After an ADD instruction —

DF=1 denotes a carry has occurred. Result is greater than FF<sub>16</sub>.

DF=0 denotes a carry has not occurred.

After a SUBTRACT instruction —

DF=1 denotes no borrow. D is a true positive number.

DF=0 denotes a borrow. D is in two's complement form.

Binary Coded Decimal Operations:

After a BCD ADD instruction —

DF=1 denotes a carry has occurred. Result is greater than 99<sub>10</sub>.

DF=0 denotes a carry has not occurred.

After a BCD SUBTRACT instruction —

DF=1 denotes no borrow. D is a true positive decimal number.

(Example)	99	D	
	-88	M(R(X))	
	11	D	DF=1

DF=0 denotes a borrow. D is in ten's complement form.

(Example)	88	D	
	-99	M(R(X))	
	89	D	DF=0

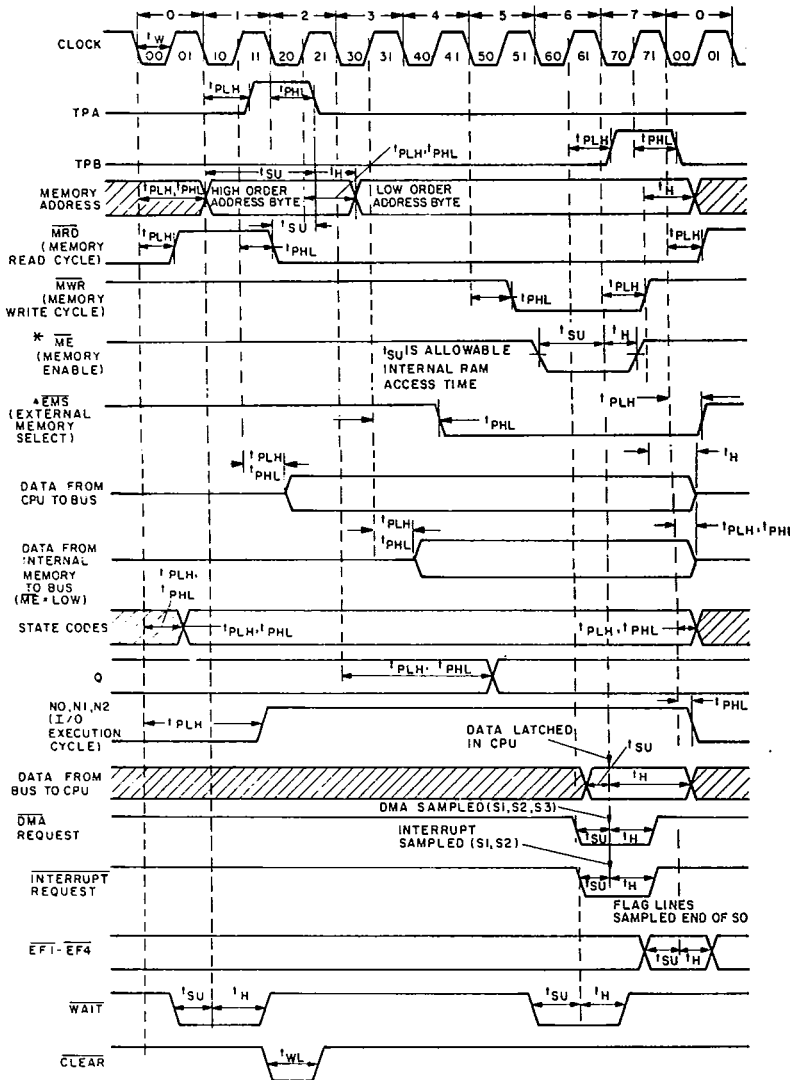
89 is the ten's complement of 11, which is the correct answer (with a minus value denoted by DF=0).

HARRIS SEMICONDUCTOR SECTOR 37E D 4302271 0023062 5 ■ HAS

CDP1804AC

T.49.19.08

2



- \* NOTES:
1. THIS TIMING DIAGRAM IS USED TO SHOW SIGNAL RELATIONSHIPS ONLY AND DOES NOT REPRESENT ANY SPECIFIC MACHINE CYCLE.
  2. ALL MEASUREMENTS ARE REFERENCED TO 50% POINT OF THE WAVEFORMS.
  3. SHADED ARE AS INDICATED "DON'T CARE" OR UNDEFINED STATE. MULTIPLE TRANSITIONS MAY OCCUR DURING THIS PERIOD.
- \* FOR THE RUN (RAM ONLY) MODE ONLY.      92CL-34986R1  
 \* FOR THE RUN (RAM/ROM) MODE ONLY.

Fig. 14 - Dynamic timing waveforms for CDP1804AC.

T.49.19.08

**CDP1804AC**

DYNAMIC ELECTRICAL CHARACTERISTICS at  $T_A = -40$  to  $+85^\circ\text{C}$ ;  $C_L = 50$  pF; Input  $t_r, t_f = 10$ ns; Input Pulse Levels = 0.1 V to  $V_{DD} - 0.1$  V;  $V_{DD} = 5$  V,  $\pm 5\%$ .

CHARACTERISTIC		LIMITS		UNITS
		CDP1804AC		
		Typ.*	Max.	
<b>Propagation Delay Times:</b>				
Clock to TPA, TPB	$t_{PLH}, t_{PHL}$	150	275	ns
* Clock-to-Memory High-Address Byte	$t_{PLH}, t_{PHL}$	325	550	
Clock-to-Memory Low-Address Byte	$t_{PLH}, t_{PHL}$	275	450	
Clock to MRD	$t_{PLH}, t_{PHL}$	200	325	
Clock to MWR	$t_{PLH}, t_{PHL}$	150	275	
Clock to (CPU DATA to BUS)	$t_{PLH}, t_{PHL}$	375	625	
Clock to State Code	$t_{PLH}, t_{PHL}$	225	400	
Clock to Q	$t_{PLH}, t_{PHL}$	250	425	
Clock to N	$t_{PLH}, t_{PHL}$	250	425	
Clock to Internal RAM Data to BUS	$t_{PLH}, t_{PHL}$	420	650	
Clock to EMS	$t_{PLH}, t_{PHL}$	275	450	
<b>Minimum Set Up and Hold Times:‡</b>				
Data Bus Input Set-Up	$t_{SU}$	-100	0	ns
Data Bus Input Hold	$t_H$	125	225	
DMA Set-Up	$t_{SU}$	-75	0	
DMA Hold	$t_H$	100	175	
ME Set-Up	$t_{SU}$	125	320	
ME Hold	$t_H$	0	50	
Interrupt Set-Up	$t_{SU}$	-100	0	
Interrupt Hold	$t_H$	100	175	
WAIT Set-Up	$t_{SU}$	20	50	
EF1-4 Set-Up	$t_{SU}$	-125	0	
EF1-4 Hold	$t_H$	175	300	
<b>Minimum Pulse Width Times:‡</b>				
CLEAR Pulse Width	$t_{WL}$	100	175	ns
CLOCK Pulse Width	$t_{WL}$	75	100	

\*Typical values are for  $T_A = 25^\circ\text{C}$  and nominal  $V_{DD}$ .

‡Maximum limits of minimum characteristics are the values above which all devices function.

**TIMING SPECIFICATIONS** as a function of T ( $T = 1/f_{\text{clock}}$ ) at  $T_A = -40$  to  $+85^\circ\text{C}$ ,  $V_{DD} = 5$  V,  $\pm 5\%$ .

CHARACTERISTIC		LIMITS		UNITS
		CDP1804AC		
		Min.	Typ.‡	
High-Order Memory-Address Byte Set-Up to TPA $\lambda$ Time	$t_{SU}$	2T-275	2T-175	ns
MRD to TPA $\lambda$ Time	$t_{SU}$	T/2-100	T/2-75	
High-Order Memory-Address Byte Hold After TPA Time	$t_H$	T/2+75	T/2+100	
Low-Order Memory-Address Byte Hold After WR Time	$t_H$	T+180	T+240	
CPU Data to Bus Hold After WR Time	$t_H$	T+110	T+150	
Required Memory Access Time Address to Data	$t_{ACC}$	4.5T-440	4.5T-330	

‡Typical values are for  $T_A = 25^\circ\text{C}$  and nominal  $V_{DD}$ .

HARRIS SEMICOND SECTOR 37E D 430227J 0023084 9 HAS

**CDP1804AC**

TABLE II. CONDITIONS ON DATA BUS AND MEMORY ADDRESS LINES DURING ALL MACHINE STATES

STATE	I	N	MNEMONIC	OPERATION	DATA BUS	MEMORY ADDRESS	MRD	MWR	N LINES	
S1	RESET			0-Q,I,N, COUNTER PRESCALER, CIL; 1-CIE, XIE	00	UNDEFINED	1	1	0	
	INITIALIZE NOT PROGRAMMER ACCESSIBLE			X, P-T THEN 0-X, P; 1-MIE, 0000-R0	00 <sup>A</sup>	UNDEFINED	1	1	0	
S0	FETCH			MRP-I, N; RP+1-RP	MRP	RP	0	1	0	
S1	0	0	IDL	STOP AT TPB WAIT FOR DMA OR INT	HIGH Z	RO	1	1	0	
	0	1-F	LDN	MRN-D	MRN	RN	0	1	0	
	1	0-F	INC	RN+1-RN	HIGH Z	RN	1	1	0	
	2	0-F	DEC	RN-1-RN	HIGH Z	RN	1	1	0	
	3	0-F	SHORT BRANCH	TAKEN: MRP-RP.0 NOT TAKEN: RP+1-RP	MRP	RP	0	1	0	
	4	0-F	LDA	MRN-D; RN+1-RN	MRN	RN	0	1	0	
	5	0-F	STR	D-MRN	D	RN	1	0	0	
	6	0	IRX	RX+1-RX	MRX	RX	1	1	0	
	6	1		OUT 1	MRX-BUS; RX+1-RX	MRX	RX	0	1	1
		2		OUT 2						2
		3		OUT 3						3
		4		OUT 4						4
		5		OUT 5						5
		6		OUT 6						6
		7		OUT 7						7
S1	9		INP 1	BUS-MRX, D	DATA FROM I/O DEVICE	RX	1	0	1	
	A		INP 2						2	
	B		INP 3						3	
	C		INP 4						4	
	D		INP 5						5	
	E		INP 6						6	
	F		INP 7						7	
7	0		RET	MRX-X,P; RX+1-RX 1-MIE	MRX	RX	0	1	0	
	1		DIS	MRX-X,P; RX+1-RX 0-MIE	MRX	RX	0	1	0	
	2		LDXA	MRX-D; RX+1-RX	MRX	RX	0	1	0	
	3		STXD	D-MRX; RX-1-RX	D	RX	1	0	0	
	4		ADC	MRX+D+DF--DF, D	MRX	RX	0	1	0	
	5		SDB	MRX-D-DFN-DF, D	MRX	RX	0	1	0	
	6		SHRC	LSB(D)--DF; DF--MSB(D)	HIGH Z	RX	1	1	0	
	7		SMB	D-MRX-DFN-DF, D	MRX	RX	0	1	0	
	8		SAV	T-MRX	T	RX	1	0	0	
	9		MARK	X,P-T, MR2; P-X R2-1-R2	T	R2	1	0	0	
	A		REQ	0-Q	HIGH Z	RP	1	1	0	
	B		SEQ	1-Q	HIGH Z	RP	1	1	0	
	C		ADCI	MRP+D+DF-DF, D; RP+1	MRP	RP	0	1	0	
	D		SDBI	MRP-D-DFN-DF, D; RP+1	MRP	RP	0	1	0	
	E		SHLC	MSB(D)--DF; DF--LSB(D)	HIGH Z	RP	1	1	0	
	F		SMBI	D-MRP-DFN-DF, D; RP+1	MRP	RP	0	1	0	
	8	0-F	GLO	RN.0-D	RN.0	RN	1	1	0	
	9	0-F	GHI	RN.1-D	RN.1	RN	1	1	0	
A	0-F	PLO	D-RN.0	D	RN	1	1	0		
B	0-F	PHI	D-RN.1	D	RN	1	1	0		

T 49-19-08



<sup>A</sup> = Data bus floats for first 2-1/2 clocks of the 9 clock initialization cycle; all zeros for remainder of cycle.

T.49.19.08

CDP1804AC

TABLE II. CONDITIONS ON DATA BUS AND MEMORY ADDRESS LINES DURING ALL MACHINE STATES (Cont'd)

STATE	I	N	MNEMONIC	OPERATION	DATA BUS	MEMORY ADDRESS	M $\overline{R}$ D	M $\overline{W}$ R	N LINES		
S1#1	C	0-3, 8-B	LONG BRANCH	TAKEN: MRP-B; RP+1-RP	MRP	RP	0	1	0		
#2				TAKEN: B-RP.1; MRP-RP.0	M(RP+1)	RP+1	0	1	0		
S1#1		5 6 7 C D E F	LONG SKIP	NOT TAKEN: RP+1-RP	MRP	RP	0	1	0		
#2				NOT TAKEN: RP+1-RP	M(RP+1)	RP+1	0	1	0		
S1#1				TAKEN: RP+1-RP	MRP	RP	0	1	0		
#2				TAKEN: RP+1-RP	M(RP+1)	RP+1	0	1	0		
S1#1				NOT TAKEN: NO OPERATION	MRP	RP	0	1	0		
#2				NOT TAKEN: NO OPERATION	M(RP+1)	RP+1	0	1	0		
S1#1				4	NOP	NO OPERATION	MRP	RP	0	1	0
#2						NO OPERATION	M(RP+1)	RP+1	0	1	0
S1	D	0-F	SEP	N-P	NN	RN	1	1	0		
	E	0-F	SEX	N-X	NN	RN	1	1	0		
	F	0	LDX	MRX-D	MRX	RX	0	1	0		
		1	OR	MRX OR D-D	MRX	RX	0	1	0		
		2	AND	MRX AND D-D							
		3	XOR	MRX XOR D-D							
		4	ADD	MRX+D-DF, D							
		5	SD	MRX-D-DF, D							
		7	SM	D-MRX-DF, D							
		6	SHR	LSB(D)-DF; 0-MSB(D)	HIGH Z	RX	1	1	0		
	8	LDI	MRP-D; RP+1-RP	MRP	RP	0	1	0			
	9	ORI	MRP OR D-D; RP+1-RP								
	A	ANI	MRP AND D-D; RP+1-RP								
B	XRI	MRP XOR D-D; RP+1-RP									
C	ADI	MRP+D-DF, D; RP+1-RP									
D	SDI	MRP-D-DF, D; RP+1-RP									
F	SMI	D-MRP-DF, D; RP+1-RP									
E	SHL	MSB(D)-DF; 0-LSB(D)	HIGH Z	RP	1	1	0				
S2	DMA IN		BUS-MR0; R0+1-R0	DATA FROM I/O DEVICE	R0	1	0	0			
	DMA OUT		MR0-BUS; R0+1-R0	MR0	R0	0	1	0			
S3	INTERRUPT		X,P-T; 0-MIE 1-P; 2-X	HIGH Z	RN	1	1	0			

**CDP1804AC**

TABLE II. CONDITIONS ON DATA BUS AND MEMORY ADDRESS LINES DURING ALL MACHINE STATES (Cont'd)

STATE	I	N	MNEMONIC	OPERATION	DATA BUS	MEMORY ADDRESS	MRD	MWR	N LINES
THE FOLLOWING ARE ALL LINKED INSTRUCTIONS "68" PRECEDES ALL THE OP CODES, SO THERE IS A DOUBLE FETCH									
S1	0	0	STPC	STOP COUNTER CLOCK; 0→32 PRESCALER	HIGH Z	R0	1	1	0
		1	DTC	CNTR-1-CNTR	HIGH Z	R1	1	1	0
		2	SPM2	CNTR-1 ON EF2 AND TPA	HIGH Z	R2	1	1	0
		3	SCM2	CNTR-1 ON EF2 0 TO 1	HIGH Z	R3	1	1	0
		4	SPM1	CNTR-1 ON EF1 AND TPA	HIGH Z	R4	1	1	0
		5	SCM1	CNTR-1 ON EF1 0 TO 1	HIGH Z	R5	1	1	0
		6	LDC	CNTR STOPPED: D-CH, CNTR: 0-CI CNTR RUNNING: D-CH	D	R6	1	1	0
		7	STM	CNTR-1 ON TPA+32	HIGH Z	R7	1	1	0
		8	GEC	CNTR-D	CNTR	R8	1	1	0
		9	ETQ	IF CNTR THRU 0: Q-Q	HIGH Z	R9	1	1	0
		A	XIE	1-XIE	HIGH Z	RA	1	1	0
		B	XID	0-XIE	HIGH Z	RB	1	1	0
		C	CIE	1-CIE	HIGH Z	RC	1	1	0
D	CID	0-CIE	HIGH Z	RD	1	1	0		
S1#1	2	0-F	DBNZ	RN-1-RN	HIGH Z	RN	1	1	0
#2				MRP-B; RP+1-RP	MRP	RP	0	1	0
#3				TAKEN: B-RP.1, MRP-RP.0 NOT TAKEN: RP+1-RP	M(RP+1)	RP+1	0	1	0
S1	3	E	BCI	TAKEN: MRP-RP.0; 0-CI NOT TAKEN: RP+1-RP	MRP	RP	0	1	0
		F	BXI	TAKEN: MRP-RP.0 NOT TAKEN: RP+1-RP	MRP	RP	0	1	0
S1#1	6	0-F	RLXA	MRX-B, RX+1-RX	MRX	RX	0	1	0
#2				B-T; MRX-B; RX+1-RX	M(RX+1)	RX+1	0	1	0
#3				B, T-RN.0, RN.1	HIGH Z	RN	1	1	0
S1#1	7	4	DADC	MRX+D+DF-DF, D	MRX	RX	0	1	0
#2				DECIMAL ADJUST-DF, D	HIGH Z	RP	1	1	1
S1#1	7	6	DSAV	RX-1-RX	HIGH Z	RX	1	1	0
#2				T-MRX; RX-1-RX	T	RX-1	1	0	0
#3				D-MRX; RX-1-RX SHIFT D RIGHT WITH CARRY	D	RX-2	1	0	0
#4				D-MRX	D	RX-3	1	0	0
S1#1	7	7	DSMB	D-MRX-(NOT DF)-DF, D	MRX	RX	0	1	0
#2				DECIMAL ADJUST-DF, D	HIGH Z	RP	1	1	0
S1#1	7	C	DACI	MRP+D+DF-DF, D; RP+1-RP	MRP	RP	0	1	0
#2				DECIMAL ADJUST-DF, D	HIGH Z	RP+1	1	1	0
S1#1	7	F	DSBI	D-MRP-(NOT DF)-DF, D; RP+1-RP	MRP	RP	0	1	0
#2				DECIMAL ADJUST-DF, D	HIGH Z	RP+1	1	1	0
S1#1	8	0-F	SCAL	RN.0, RN.1-T, B	HIGH Z	RN	1	1	0
#2				T-MRX; RX-1-RX	RN.0	RX	1	0	0
#3				B-MRX, RX-1-RX	RN.1	RX-1	1	0	0
#4				RP.0, RP.1-T, B	HIGH Z	RP	1	1	0
#5				B, T-RN.1, RN.0	HIGH Z	RN	1	1	0
#6				MRN-B; RN+1-RN	MRP	RP	0	1	0
#7				B-T; MRN-B; RN+1-RN	M(RP+1)	RP+1	0	1	0
#8				B, T-RP.0, RP.1	HIGH Z	RP	1	1	0

T 49.19.08



CDP1804AC

TABLE II. CONDITIONS ON DATA BUS AND MEMORY ADDRESS LINES DURING ALL MACHINE STATES (Cont'd)

STATE	I	N	MNEMONIC	OPERATION	DATA BUS	MEMORY ADDRESS	MRD	MWR	N LINES
THE FOLLOWING ARE ALL LINKED INSTRUCTIONS									
"88" PRECEDES ALL THE OP CODES, SO THERE IS A DOUBLE FETCH									
S1#1	9	0-F	SRET	RN.0, RN.1-T, B	HIGH Z	RN	1	1	0
#2				RX+1-RX	HIGH Z	RX	1	1	0
#3				B, T-RP.1, RP.0	HIGH Z	RP	1	1	0
#4				MRX-B; RX+1-RX	M(RX+1)	RX+1	0	1	0
#5				B-T; MRX-B	M(RX+1)	RX+2	0	1	0
#6				B, T-RN.0, RN.1	HIGH Z	RN	1	1	0
S1#1	A	0-F	RSXD	RN.0, RN.1-T, B	HIGH Z	RN	1	1	0
#2				T-MRX; RX-1-RX	RN.0	RX	1	0	0
#3				B-MRX; RX-1-RX	RN.1	RX-1	1	0	0
S1#1	B	0-F	RNX	RN.0, RN.1-T, B	HIGH Z	RN	1	1	0
#2				B, T-RX.1, RX.0	HIGH Z	RX	1	1	0
S1#1	C	0-F	RLDI	MRP-B; RP+1-RP	MRP	RP	0	1	0
#2				B-T; MRP-B; RP+1-RP	M(RP+1)	RP+1	0	1	0
#3				B, T-RN.0, RN.1; RP+1-RP	HIGH Z	RN	1	1	0
S1#1	F	4	DADD	MRX+D-DF, D	MRX	RX	0	1	0
#2				DECIMAL ADJUST-DF, D	HIGH Z	RP	1	1	0
S1#1	F	7	DSM	D-MRX-DF, D	MRX	RX	0	1	0
#2				DECIMAL ADJUST-DF, D	HIGH Z	RP	1	1	0
S1#1	F	C	DADI	MRP+D-DF, D; RP+1-RP	MRP	RP	0	1	0
#2				DECIMAL ADJUST-DF, D	HIGH Z	RP+1	1	1	0
S1#1	F	F	DSMI	D-MRP-DF, D; RP+1-RP	MRP	RP	0	1	0
#2				DECIMAL ADJUST-DF, D	HIGH Z	RP+1	1	1	0

1800-Series Microprocessors and Microcomputers

CDP1804AC

T 49-19-08

Instruction Summary

N

	0	1	2	3	4	5	6	7	8	9	A	B	C	D	E	F	
0	IDL	LDN															
1	INC																
2	DEC																
3	BR	BQ	BZ	BDF	B1	B2	B3	B4	SKP	BNQ	BNZ	BNF	BN1	BN2	BN3	BN4	
4	LDA																
5	STR																
6	IRX	OUT							*	INP							
7	RET	DIS	LDXA	STXD	ADC	SDB	SHRC	SMB	SAV	MARK	REQ	SEQ	ADC	SDB	SHLC	SMB	
8	GLO																
9	GHI																
A	PLO																
B	PHI																
C	LBR	LBO	LBZ	LBD	NOP	LSNQ	LSNZ	LSNF	LSKP	LBNQ	LBNZ	LBNF	LSIE	LSQ	LSZ	LSDF	
D	SEP																
E	SEX																
F	LDX	OR	AND	XOR	ADD	SD	SHR	SM	LDI	ORI	ANI	XRI	ADI	SDI	SHL	SMI	
'68' LINKED OPCODES (DOUBLE FETCH)																	
0	STPC	DTC	SPM2	SCM2	SPM1	SCM1	LOC	STM	GEC	ETQ	XIE	XID	CIE	CID	--	--	
2	DBNZ																
3	--	--	--	--	--	--	--	--	--	--	--	--	--	--	BCI	BXI	
6	RLXA																
7	--	--	--	--	DADC	--	DSAV	DSMB	--	--	--	--	DACI	--	--	DSBI	
8	SCAL																
9	SRET																
A	RSXD																
B	RNX																
C	RLDI																
F	--	--	--	--	DADD	--	--	DSM	--	--	--	--	DADI	--	--	DSMI	



\* '68' IS USED AS A LINKING OPCODE FOR THE DOUBLE FETCH INSTRUCTIONS.



## CDP1804AC

### CDP1804AC Mask-Programming

The ROM pattern for the CDP1804AC may be submitted on a suitable media, such as floppy diskette, ROM or EPROM.

In addition to specifying the 2K-byte ROM pattern, the address space for the ROM and RAM must also be defined. The locations of ROM and RAM in the CDP1804AC are determined by AND-gate decoders which decode the upper memory addresses and are programmable at the time of ROM pattern masking during device fabrication. The logical

values of the decoder inputs are selectable as 1 or P (positive), 0 or N (negative), or X (don't care). A 5-bit decoder is used for the ROM selection, so the ROM can be placed at one or more of the 32 available 2K-byte blocks within the 65,536 locations of memory. Similarly, the RAM has a 10-bit decoder and can be selected at one or more of the available 64-byte blocks. If the RAM is located within the ROM space, only the RAM will be enabled at the locations where both are mapped. The RAM may also be selectively disabled.

### Programming Options

#### Address Options

The logic levels of high-order address bits are mask programmable in the CDP1804AC. The high (1), low (0), or "don't care" (X) logic status of the high-order address bits is dependent upon the desired starting address of the 2K-byte ROM block and the 64-byte RAM block. The desired logic levels for the high-order address bits (A15 through A6) can be selected by use of the ROM order sheet.

Multiple mapping can be achieved by choosing X (don't care) for one or more of the high-order address lines; this choice will cause the ROM or RAM block to appear in more than one location in the 64K memory space. The RAM may also be disabled completely in the RUN (ROM/RAM) mode by programming the RAM enable bit to an N.