

# PowerPC™

## *Advance Information*

### **PowerPC 603e™ and EM603e™ Embedded Hardware Specification**

The PowerPC 603e and EM603e microprocessors are implementations of the PowerPC™ family of reduced instruction set computing (RISC) microprocessors. In this document, the term '603e' is used as an abbreviation for 'PowerPC 603e embedded processor', and the term 'EM603e' is used as an abbreviation for 'PowerPC EM603e embedded processor'. The PowerPC 603e microprocessors are available from IBM as PPC603e and EM603e.

This document describes the pertinent physical characteristics of the 603e and EM603e processors. For functional characteristics of the processor, refer to the *PowerPC 603e RISC Microprocessor User's Manual* and *The CMOS Quality Monitor Report*.

The PowerPC name, the PowerPC logotype, PowerPC 603, PowerPC 603e, and EM603e are trademarks of International Business Machines Corporation.

This document contains information on a new product under development by IBM. IBM reserves the right to change or discontinue this product without notice.

© International Business Machines Corporation, 1991–1998. All rights reserved.



This document contains the following topics:

| <b>Topic</b>  | <b>Page</b> |
|---|-------------|
| Section 1.1, “Overview”   | 2           |
| Section 1.2, “Common Features”  | 3           |
| Section 1.3, “General Parameters”                                     | 4           |
| Section 1.4, “Electrical and Thermal Characteristics”                 | 5           |
| Section 1.5, “PowerPC 603e and EM603e Processor Pin Assignments”      | 18          |
| Section 1.6, “PowerPC 603e and EM603e Processor Pinout Listings”      | 20          |
| Section 1.7, “PowerPC 603e and EM603e Processor Package Descriptions” | 25          |
| Section 1.8, “System Design Information”                              | 32          |
| Section 1.9, “Ordering Information”                                   | 39          |
| Appendix A, “.General Handling Recommendations for the C4FP Package”  | 40          |

To locate any published errata or updates for this document, contact the nearest IBM Microelectronics Sales Representative, who can be located through the website at <http://www.chips.ibm.com/products/embedded>.

## 1.1 Overview

This section describes the features of the 603e and EM603e and describes briefly how those units interact.

The 603e and EM603e are low-power implementations of the PowerPC microprocessor family of reduced instruction set computing (RISC) microprocessors. The 603e and EM603e implement the 32-bit portion of the PowerPC architecture specification, which provides 32-bit effective addresses, integer data types of 8, 16, and 32 bits, and floating-point data types of 32 and 64 bits.

The 603e and EM603e provide four software controllable power-saving modes. Three of the modes (the nap, doze, and sleep modes) are static in nature, and progressively reduce the amount of power dissipated by the processor. The fourth is a dynamic power management mode that causes the functional units in the 603e and EM603e to automatically enter a low-power mode when the functional units are idle without affecting operational performance, software execution, or any external hardware.

The 603e and EM603e are superscalar processors capable of issuing and retiring as many as three instructions per clock. Instructions can execute out of order for increased performance; however, the 603e and EM603e make completion appear sequential.

The 603e and EM603e integrate five execution units—an integer unit (IU), a floating-point unit (FPU) (the FPU is not available on the EM603e), a branch processing unit (BPU), a load/store unit (LSU), and a system register unit (SRU). The ability to execute five instructions in parallel and the use of simple instructions with rapid execution times yield high efficiency and throughput for 603e- and EM603e-based systems. Most integer instructions execute in one clock cycle. The FPU is pipelined, so a single-precision multiply-add instruction can be issued every clock cycle.

The 603e and EM603e provide independent on-chip, 16-Kbyte, four-way set-associative, physically addressed caches for instructions and data and on-chip instruction and data memory management units (MMUs). The MMUs contain 64-entry, two-way set-associative, data and instruction translation lookaside buffers (DTLB and ITLB) that provide support for demand-paged virtual memory address translation and variable-sized block translation. The TLBs and caches use a least-recently used (LRU) replacement algorithm. The 603e and EM603e also support block address translation through the use of two independent instruction and data block address translation (IBAT and DBAT) arrays of four entries each. Effective addresses are compared simultaneously with all four entries in the BAT array during block translation. In accordance with the PowerPC architecture, if an effective address hits in both the TLB and BAT array, the BAT translation takes priority.

The 603e and EM603e have a selectable 32- or 64-bit data bus and a 32-bit address bus. The 603e and EM603e interface protocol allows multiple masters to compete for system resources through a central external arbiter. The 603e and EM603e provide a three-state coherency protocol that supports the exclusive, modified, and invalid cache states. This protocol is a compatible subset of the modified/exclusive/invalid (MEI) three-state protocol and operates coherently in systems that contain three-state caches. The 603e and EM603e support single-beat and burst data transfers for memory accesses, and supports memory-mapped I/O.

The 603e and EM603e are offered in three versions:

1. PID6, which is a 3.3 V device
2. PID7v, which is a 2.5/3.3 V device
3. PID7t, which is a 2.5/3.3 V device.

All three maintain full interface compatibility with TTL devices. Each version is also offered with the floating point unit fully tested and also without the floating point unit for those applications not needing floating point.

## 1.2 Common Features

This section summarizes features of the 603e's and EM603e's implementation of the PowerPC architecture. Major features of the 603e and EM603e are as follows:

- High-performance, superscalar microprocessor
  - As many as three instructions issued and retired per clock
  - As many as five instructions in execution per clock
  - Single-cycle execution for most instructions
  - Pipelined FPU for all single-precision and most double-precision operations (the FPU is not available on the EM603e)
- Five independent execution units and two register files
  - BPU featuring static branch prediction
  - A 32-bit IU
  - Fully IEEE 754-compliant FPU for both single- and double-precision operations (the FPU is not available on the EM603e)
  - LSU for data transfer between data cache and GPRs and FPRs
  - SRU that executes condition register (CR), special-purpose register (SPR) instructions, and integer add/compare instructions
  - Thirty-two GPRs for integer operands
  - Thirty-two FPRs for single- or double-precision operands
- High instruction and data throughput
  - Zero-cycle branch capability (branch folding)
  - Programmable static branch prediction on unresolved conditional branches
  - Instruction fetch unit capable of fetching two instructions per clock from the instruction cache
  - A six-entry instruction queue that provides lookahead capability
  - Independent pipelines with feed-forwarding that reduces data dependencies in hardware
  - 16-Kbyte data cache—four-way set-associative, physically addressed; LRU replacement

- algorithm
  - 16-Kbyte instruction cache—four-way set-associative, physically addressed; LRU replacement algorithm
  - Cache write-back or write-through operation programmable on a per page or per block basis
  - BPU that performs CR lookahead operations
  - Address translation facilities for 4-Kbyte page size, variable block size, and 256-Mbyte segment size
  - A 64-entry, two-way set-associative ITLB
  - A 64-entry, two-way set-associative DTLB
  - Four-entry data and instruction BAT arrays providing 128-Kbyte to 256-Mbyte blocks
  - Software table search operations and updates supported through fast trap mechanism
  - 52-bit virtual address; 32-bit physical address
- Facilities for enhanced system performance
  - A 32- or 64-bit split-transaction external data bus with burst transfers
  - Support for one-level address pipelining and out-of-order bus transactions
- Integrated power management
  - Low-power 3.3-volt design — PID6
  - Low-power 2.5/3.3-volt design — PID7v and PID7t
  - Internal processor/bus clock multiplier that provides 1.5, 2, 2.5, 3, 3.5, 4, and 1:1 @ 66MHz for PID6, and 4, 4.5, 5, 5.5, and 6 for PID7
  - Two power saving modes: doze and nap
  - Automatic dynamic power reduction when internal functional units are idle
- In-system testability and debugging features through JTAG boundary-scan capability.

## 1.3 General Parameters

Table 1 provides summaries of the general parameters of the 603e and EM603e:

**Table 1 603e and EM603e General Parameters**

| Parameter        | PID6                                    | PID7v                                     | PID7t                                     |
|------------------|---|---|---|
| Technology       | 0.5 $\mu\text{m}$ CMOS four-layer metal | 0.35 $\mu\text{m}$ CMOS, five-layer metal | 0.35 $\mu\text{m}$ CMOS, five-layer metal |
| Die size         | 11.67 mm x 8.4 mm (98mm <sup>2</sup> )  | 10.5 mm x 7.5 mm (79 mm <sup>2</sup> )    | 10.5 mm x 7.5 mm (79 mm <sup>2</sup> )    |
| Transistor count | 2.6 million                             | 2.6 million                               | 2.6 million                               |
| Logic design     | Fully-static                            | Fully-static                              | Fully-static                              |

**Table 1 603e and EM603e General Parameters (Continued)**

| Parameter         | PID6  | PID7v  | PID7t  |
|-------------------|---|--|--|
| Package           | Surface mount 240-pin C4 flat pack (C4FP), 240-pin PFP w/molded (EM603e only) heatsink (MHS), or 255-pin ceramic ball grid array (CBGA) | Surface mount 255-pin ceramic ball grid array (CBGA) | Surface mount 255-pin ceramic ball grid array (CBGA) |
| Core power supply | 3.3 ± 5% Vdc  | 2.5 ± 5% Vdc   | 2.5 ± 5% Vdc   |
| I/O power supply  | 3.3 ± 5% Vdc  | 3.3 ± 5% Vdc   | 3.3 ± 5% Vdc   |
| PVR Number        | 0x0006  | 0x007  | 0x007  |

## 1.4 Electrical and Thermal Characteristics

This section provides the AC and DC electrical specifications and thermal characteristics for the 603e and EM603e.

### 1.4.1 DC Electrical Characteristics

The tables in this section describe the 603e and EM603e DC electrical characteristics. Table 2 provides the absolute maximum ratings.

Table 3 provides the recommended operating conditions for the 603e and EM603e.

**Table 2. Absolute Maximum Ratings<sup>1</sup>**

| Characteristic            | Symbol           | PID6 Value  | PID7v Value  | PID7t Value  | Unit |
|---------------------------|------------------|-------------|--------------|--------------|------|
| Core supply voltage       | Vdd              | −0.3 to 4.0 | −0.3 to 2.75 | −0.3 to 2.75 | V    |
| PLL supply voltage        | AVdd             | −0.3 to 4.0 | −0.3 to 2.75 | −0.3 to 2.75 | V    |
| I/O supply voltage        | OVdd             | −0.3 to 4.0 | −0.3 to 3.6  | −0.3 to 3.6  | V    |
| Input voltage             | V <sub>in</sub>  | −0.3 to 5.5 | −0.3 to 5.5  | −0.3 to 5.5  | V    |
| Storage temperature range | T <sub>stg</sub> | −55 to 150  | −55 to 150   | −55 to 150   | °C   |

**Notes:**

1. Functional and tested operating conditions are given in Table 3. Absolute maximum ratings are stress ratings only, and functional operation at the maximums is not guaranteed. Stresses beyond those listed may affect device reliability or cause permanent damage to the device.

**Caution:** V<sub>in</sub> must not exceed OVdd by more than 2.5 V at any time, including during power-on reset.

**Caution:** OVdd must not exceed Vdd/AVdd by more than 1.2 V (2.5 V for PID6) at any time, including during power-on reset.

**Caution:** Vdd/AVdd must not exceed OVdd by more than 0.4 V at any time, including during power-on reset.

**Table 3. Recommended Operating Conditions**

| Characteristic       | Symbol          | PID6 Value     | PID7v Value    | PID7t Value    | Unit |
|----------------------|-----------------|----------------|----------------|----------------|------|
| Core supply voltage  | Vdd             | 3.135 to 3.465 | 2.375 to 2.625 | 2.375 to 2.625 | V    |
| PLL supply voltage   | AVdd            | 3.135 to 3.465 | 2.375 to 2.625 | 2.375 to 2.625 | V    |
| I/O supply voltage   | OVdd            | 3.135 to 3.465 | 3.135 to 3.465 | 3.135 to 3.465 | V    |
| Input voltage        | V <sub>in</sub> | -0.3 to 5.5    | GND to 5.5     | GND to 5.5     | V    |
| Junction temperature | T <sub>j</sub>  | 0 to 105       | 0 to 105       | 0 to 105       | °C   |

**Note:** These are the recommended and tested operating conditions. Proper device operation outside of these conditions is not guaranteed.

Table 4 provides the package thermal characteristics for the 603e and EM603e.

**Table 4. Thermal Characteristics**

| Characteristic   | Symbol        | PID6 Value | PID7v Value | PID7t Value | Rating |
|--|---------------|------------|-------------|-------------|--------|
| C4FP package thermal resistance, junction-to-case (capped)   | $\theta_{JC}$ | 2.8        | N/A         | N/A         | °C/W   |
| C4FP package thermal resistance, junction-to-case (uncapped) |               | 0.03       | N/A         | N/A         | °C/W   |
| CBGA package thermal resistance, junction-to-case (die)      | $\theta_{JC}$ | 0.03       | 0.03        | 0.03        | °C/W   |
| PFP-HS thermal resistance, junction-to-case at heatsink spot | $\theta_{JC}$ | 1.0        | N/A         | N/A         | °C/W   |

**Note:** Refer to Section 1.8, "System Design Information," for more details about thermal management.

Table 5 provides the DC electrical characteristics for the 603e and EM603e.

**Table 5. DC Electrical Specifications**

Vdd = AVdd = 2.5 ± 5% Vdc (= 3.3 ± 5% Vdc for PID6). O Vdd = 3.3 ± 5% Vdc. GND = 0 Vdc, 0 ≤ T<sub>j</sub> ≤ 105°C.

| Characteristic                                     | Symbol           | PID6 |     | PID7v |     | PID7t |     | Unit | Note |
|--|------------------|------|-----|-------|-----|-------|-----|------|------|
|  |                  | Min  | Max | Min   | Max | Min   | Max |      |      |
| Input high voltage (all inputs except SYSCLK)      | V <sub>IH</sub>  | 2.0  | 5.5 | 2.0   | 5.5 | 2.0   | 5.5 | V    |      |
| Input low voltage (all inputs except SYSCLK)       | V <sub>IL</sub>  | -0.3 | 0.8 | GND   | 0.8 | GND   | 0.8 | V    |      |
| SYSCLK input high voltage                          | CV <sub>IH</sub> | 2.4  | 5.5 | 2.4   | 5.5 | 2.4   | 5.5 | V    |      |
| SYSCLK input low voltage                           | CV <sub>IL</sub> | -0.3 | 0.4 | GND   | 0.4 | GND   | 0.4 | V    |      |
| Input leakage current,<br>V <sub>in</sub> =3.465 V | I <sub>in</sub>  | —    | 10  | —     | 30  | —     | 30  | A    | 1,2  |
|  | I <sub>in</sub>  | —    | 245 | —     | 300 | —     | 300 | A    | 1,2  |
| V <sub>in</sub> = 5.5 V                            | I <sub>in</sub>  | —    | 245 | —     | 300 | —     | 300 | A    | 1,2  |

**Table 5. DC Electrical Specifications (Continued)**

Vdd = AVdd = 2.5 ± 5% Vdc (= 3.3 ± 5% Vdc for PID6). O Vdd = 3.3 ± 5% Vdc. GND = 0 Vdc, 0 ≤ Tj ≤ 105°C.

| Characteristic  | Symbol           | PID6 |      | PID7v |      | PID7t |      | Unit | Note |
|---|------------------|------|------|-------|------|-------|------|------|------|
|   |                  | Min  | Max  | Min   | Max  | Min   | Max  |      |      |
| Hi-Z (off-state) leakage current,<br>V <sub>in</sub> = 3.465 V  | I <sub>TSI</sub> | —    | 10   | —     | 30   | —     | 30   | A    | 1,2  |
|   | I <sub>TSI</sub> | —    | 245  | —     | 300  | —     | 300  | A    | 1,2  |
| Output high voltage,<br>I <sub>OH</sub> = -7 mA (-9mA for PID6)   | V <sub>OH</sub>  | 2.4  | —    | 2.4   | —    | 2.4   | —    | V    |      |
| Output low voltage,<br>I <sub>OL</sub> = 7 mA (14 mA for PID6)  | V <sub>OL</sub>  | —    | 0.4  | —     | 0.4  | —     | 0.4  | V    |      |
| Capacitance, V <sub>in</sub> = 0 V, f = 1 MHz<br>(excludes <u>TS</u> , <u>ABB</u> , <u>DBB</u> , and <u>ARTRY</u> ) | C <sub>in</sub>  | —    | 10.0 | —     | 10.0 | —     | 10.0 | pF   | 3    |
| Capacitance, V <sub>in</sub> = 0 V, f = 1 MHz<br>(for <u>TS</u> , <u>ABB</u> , <u>DBB</u> , and <u>ARTRY</u> )      | C <sub>in</sub>  | —    | 15.0 | —     | 15.0 | —     | 15.0 | pF   | 3    |

**Notes:**

1. Excludes test signals (LSSD\_MODE, L1\_TSTCLK, L2\_TSTCLK, and JTAG signals).
2. The leakage is measured for nominal OVdd and Vdd or both OVdd and Vdd must vary in the same direction (for example, both OVdd and Vdd vary by either +5% or -5%).
3. Capacitance is periodically sampled rather than 100% tested.

Table 6 provides the power consumption for the 603e and EM603e.

**Table 6. Power Consumption<sup>1</sup>**

|                                   | Processor (CPU) Frequency |         |         |         | Unit |
|-----------------------------------|---------------------------|---------|---------|---------|------|
|                                   | PID6                      |         | PID7v   | PID7t   |      |
|                                   | 80 MHz                    | 100 MHz | 166 MHz | 200 MHz |      |
| <b>Full-On Mode (DPM Enabled)</b> |                           |         |         |         |      |
| Typical <sup>2</sup>              | 2.0                       | 3.2     | 3.0     | 4.0     | W    |
| Maximum <sup>3</sup>              | 3.0                       | 4.0     | 4.0     | 5.0     | W    |
| <b>Doze Mode</b>                  |                           |         |         |         |      |
| Typical <sup>2</sup>              | 1.2                       | 1.2     | 1.2     | 1.5     | W    |
| <b>Nap Mode</b>                   |                           |         |         |         |      |
| Typical <sup>2</sup>              | 80                        | 80      | 80      | 120     | mW   |

**Table 6. Power Consumption<sup>1</sup> (Continued)**

|  | Processor (CPU) Frequency |         |         |         | Unit |
|--|---------------------------|---------|---------|---------|------|
|  | PID6                      |         | PID7v   | PID7t   |      |
|  | 80 MHz                    | 100 MHz | 166 MHz | 200 MHz |      |

**Notes:**

1. These values apply for all valid PLL\_CFG[0–3] settings and do not include output driver power (OVdd) or analog supply power (AVdd). OVdd power is system dependent but is typically  $\leq$  ( $<$  only for PID6) 10% of Vdd. Worst-case AVdd = 15 mW.
2. Typical power is an average value measured at Vdd = AVdd = 2.5 V, OVdd = 3.3V (Vdd = AVdd = OVdd = 3.3 V for PID6), in a system executing typical applications and benchmark sequences.
3. Maximum power is measured at 2.625 V (3.465 V for PID6) using a worst-case instruction mix.

## 1.4.2 AC Electrical Characteristics

This section provides the AC electrical characteristics for the 603e and EM603e. The processor core frequency is determined by the bus (SYSCLK) frequency and the settings of the PLL\_CFG[0–3] signals. All timings are specified relative to the rising edge of SYSCLK. PLL\_CFG signals should be set prior to power up and not altered afterwards.

### 1.4.2.1 Clock AC Specifications

Table 7 provides the clock AC timing specifications as defined in Figure 1. After fabrication, parts are sorted by maximum processor core frequency as shown in Section 1.4.2.1, “Clock AC Specifications” and tested for conformance to the AC specifications for that frequency. Parts are sold by maximum processor core frequency; see Section 1.9, “Ordering Information.”

**Table 7. Clock AC Timing Specifications**

Vdd = AVdd = 2.5 ± 5% Vdc (= 3.3 ± 5% Vdc for PID6). O Vdd = 3.3 ± 5% Vdc. GND = 0 Vdc, 0 ≤ Tj ≤ 105°C.

| Num | Characteristic            | PID6   |       |         |       | PID7v   |       | PID7t   |       | Unit | Notes |
|-----|---------------------------|--------|-------|---------|-------|---------|-------|---------|-------|------|-------|
|     |                           | 80 MHz |       | 100 MHz |       | 166 MHz |       | 200 MHz |       |      |       |
|     |                           | Min    | Max   | Min     | Max   | Min     | Max   | Min     | Max   |      |       |
|     | Processor frequency       | 80     | 85    | 100     | 100   | 150     | 166   | 200     | 200   | MHz  | 1     |
|     | VCO frequency             | 100    | 200   | 100     | 200   | 250     | 333   | 250     | 400   | MHz  | 1     |
|     | SYSCLK (bus) frequency    | 16.67  | 66.67 | 16.67   | 66.67 | 25      | 66.67 | 25      | 66.67 | MHz  | 1     |
| 1   | SYSCLK cycle time         | 15.0   | 60.0  | 15.0    | 60.0  | 15.0    | 40.0  | 15      | 40.0  | ns   |       |
| 2,3 | SYSCLK rise and fall time | —      | 2     | —       | 2.0   | —       | 2.0   | —       | 2.0   | ns   | 2     |



**Table 7. Clock AC Timing Specifications (Continued)**

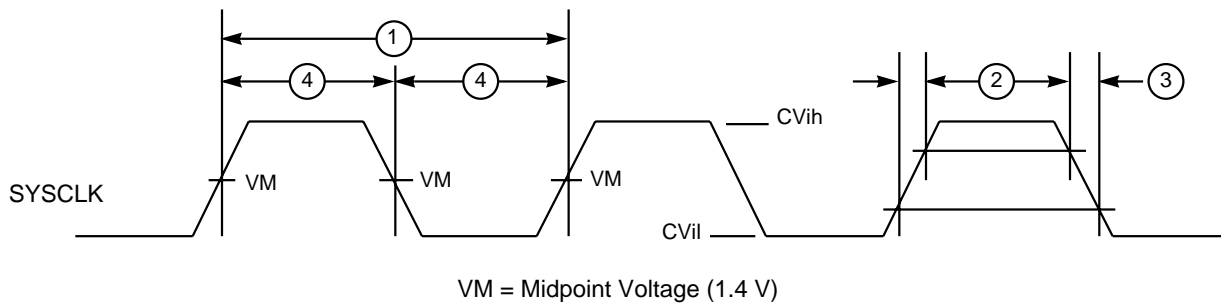
V<sub>dd</sub> = AV<sub>dd</sub> = 2.5 ± 5% V<sub>dc</sub> (= 3.3 ± 5% V<sub>dc</sub> for PID6). O V<sub>dd</sub> = 3.3 ± 5% V<sub>dc</sub>. GND = 0 V<sub>dc</sub>, 0 ≤ T<sub>j</sub> ≤ 105°C.

| Num | Characteristic                           | PID6   |      |         |      | PID7v   |      | PID7t   |      | Unit | Notes |
|-----|--|--------|------|---------|------|---------|------|---------|------|------|-------|
|     |  | 80 MHz |      | 100 MHz |      | 166 MHz |      | 200 MHz |      |      |       |
|     |  | Min    | Max  | Min     | Max  | Min     | Max  | Min     | Max  |      |       |
| 4   | SYSCCLK duty cycle measured at 1.4 V     | 40.0   | 60.0 | 40.0    | 60.0 | 40.0    | 60.0 | 40.0    | 60.0 | %    | 3     |
|     | SYSCCLK jitter                           | —      | 150  | —       | 150  | —       | 150  | —       | 150  | ps   | 4     |
|     | 603e and EM603e internal PLL-relock time | —      | 100  | —       | 100  | —       | 100  | —       | 100  | μs   | 3,5   |

**Notes:**

- Caution:** The SYSCCLK frequency and PLL\_CFG[0–3] settings must be chosen such that the resulting SYSCCLK (bus) frequency, CPU (core) frequency, and PLL (VCO) frequency do not exceed their respective maximum or minimum operating frequencies. Refer to the PLL\_CFG[0–3] signal description in Section 1.8, “System Design Information,” for valid PLL\_CFG[0–3] settings.
- Rise and fall times for the SYSCCLK input are measured from 0.4 V to 2.4 V.
- Timing is guaranteed by design and characterization, and is not tested.
- Cycle-to-cycle jitter, and is guaranteed by design. The total input jitter (short term and long term combined) must be under ±150 ps.
- Relock timing is guaranteed by design and characterization, and is not tested. PLL-relock time is the maximum time required for PLL lock after a stable V<sub>dd</sub>, OV<sub>dd</sub>, AV<sub>dd</sub>, and SYSCCLK are reached during the power-on reset sequence. This specification also applies when the PLL has been disabled and subsequently re-enabled during sleep mode. Also note that  $\overline{\text{HRESET}}$  must be held asserted for a minimum of 255 bus clocks after the PLL-relock time (100 μs) during the power-on reset sequence.

Figure 1 provides the SYSCCLK input timing diagram.



**Figure 1. SYSCCLK Input Timing Diagram**

## 1.4.2.2 Input AC Specifications

Table 8 provides the input AC timing specifications for the 603e and EM603e as defined in Figure 1, Figure 2, and Figure 3.

**Table 8. Input AC Timing Specifications<sup>1</sup>**

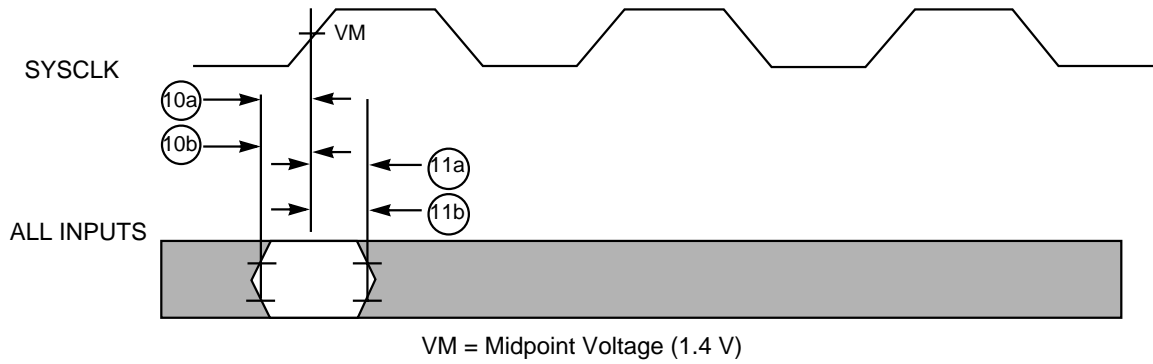
Vdd = AVdd = 2.5 ± 5% Vdc (= 3.3 ± 5% Vdc for PID6). O Vdd = 3.3 ± 5% Vdc. GND = 0 Vdc, 0 ≤ Tj ≤ 105 °C.

| Num | Characteristic  | PID6                  |     |         |     | PID7v   |         | PID7t |     | Unit                | Notes      |
|-----|---|-----------------------|-----|---------|-----|---------|---------|-------|-----|---------------------|------------|
|     |   | 80 MHz                |     | 100 MHz |     | 166 MHz | 200 MHz | Min   | Max |                     |            |
|     |   | Min                   | Max | Min     | Max | Min     | Max     | Min   | Max |                     |            |
| 10a | Address/data/transfer attribute inputs valid to SYSCLK (input setup)              | 3.0                   | —   | 2.5     | —   | 2.5     | —       | 2.5   | —   | ns                  | 2          |
| 10b | All other inputs valid to SYSCLK (input setup)                                    | 5.0                   | —   | 4.5     | —   | 4.0     | —       | 4.0   | —   | ns                  | 3          |
| 10c | Mode select inputs valid to HRESET (input setup) (for DRTRY, QACK and TLBISYNC)   | 8*t <sub>sysclk</sub> | —   | —       | —   | 8       | —       | 8     | —   | t <sub>sysclk</sub> | 4, 5, 6, 7 |
| 11a | SYSCLK to address/data/transfer attribute inputs invalid (input hold)             | 1.0                   | —   | 1.0     | —   | 1.0     | —       | 1.0   | —   | ns                  | 2          |
| 11b | SYSCLK to all other inputs invalid (input hold)                                   | 1.0                   | —   | 1.0     | —   | 1.0     | —       | 1.0   | —   | ns                  | 3          |
| 11c | HRESET to mode select inputs invalid (input hold) (for DRTRY, QACK, and TLBISYNC) | 0                     | —   | 0       | —   | 0       | —       | 0     | —   | ns                  | 4, 6, 7    |

### Notes:

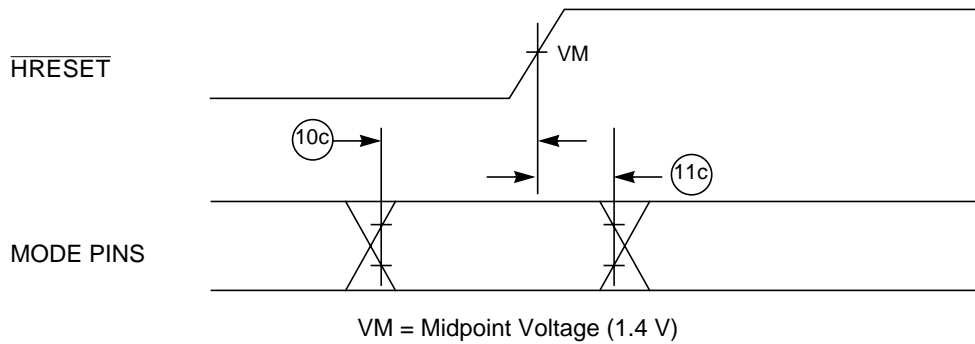
- Input specifications are measured from the TTL level (0.8 or 2.0 V) of the signal in question to the 1.4 V of the rising edge of the input SYSCLK. Input and output timings are measured at the pin.
- Address/data/transfer attribute input signals are composed of the following—A[0–31], AP[0–3], TT[0–4], TC[0–1], TBST, TSI[0–2], GBL, DH[0–31], DL[0–31], DP[0–7].
- All other input signals are composed of the following—TS, ABB, DBB, ARTRY, BG, AACK, DBG, DBWO, TA, DRTRY, TEA, DBDIS, HRESET, SRESET, INT, SMI, MCP, TBEN, QACK, TLBISYNC.
- The setup and hold time is with respect to the rising edge of HRESET (see Figure 3).
- t<sub>sysclk</sub> is the period of the external clock (SYSCLK) in nanoseconds (ns). The numbers given in the table must be multiplied by the period of SYSCLK to compute the actual time duration (in nanoseconds) of the parameter in question.
- These values are guaranteed by design, and are not tested.
- This specification is for configuration mode only. Also note that HRESET must be held asserted for a minimum of 255 bus clocks after the PLL-relock time during the power-on reset sequence.

Figure 2 provides the input timing diagram for the 603e and EM603e.



**Figure 2. Input Timing Diagram for the 603e and EM603e**

Figure 3 provides the mode select input timing diagram for the 603e and EM603e.



**Figure 3. Mode Select Input Timing Diagram for the 603e and EM603e**

### 1.4.2.3 Output AC Specifications

Table 9 provides the output AC timing specifications for the 603e and EM603e as defined in Figure 4.

**Table 9. Output AC Timing Specifications<sup>1</sup>**

V<sub>dd</sub> = AV<sub>dd</sub> = 2.5 ± 5% V<sub>dc</sub> (= 3.3 ± 5% V<sub>dc</sub> for PID6). O V<sub>dd</sub> = 3.3 ± 5% V<sub>dc</sub>. GND = 0 V<sub>dc</sub>, 0 ≤ T<sub>j</sub> ≤ 105 °C. C<sub>L</sub> = 50 pF (unless otherwise noted) (PID6 maximum timing specifications assume C<sub>L</sub> = 50pF).

| Num | Characteristic   | PID6   |      |         |      | PID7v   |      | PID7t   |      | Unit                | Notes |
|-----|--|--------|------|---------|------|---------|------|---------|------|---------------------|-------|
|     |  | 80 MHz |      | 100 MHz |      | 166 MHz |      | 200 MHz |      |                     |       |
|     |  | Min    | Max  | Min     | Max  | Min     | Max  | Min     | Max  |                     |       |
| 12  | SYSClk to output driven (output enable time)   | 1.0    | —    | 1.0     | —    | 1.0     | —    | 1.0     | —    | ns                  |       |
| 13a | SYSClk to output valid (5.5 V to 0.8 V—<br>$\overline{TS}$ , $\overline{ABB}$ , $\overline{ARTRY}$ , $\overline{DBB}$ )            | —      | 11.0 | —       | 10.0 | —       | 9.0  | —       | 9.0  | ns                  | 3     |
| 13b | SYSClk to output valid ( $\overline{TS}$ , $\overline{ABB}$ ,<br>$\overline{ARTRY}$ , $\overline{DBB}$ )                           | —      | 10.0 | —       | 9.0  | —       | 8.0  | —       | 8.0  | ns                  | 5     |
| 14a | SYSClk to output valid (5.5 V to 0.8 V—<br>all except $\overline{TS}$ , $\overline{ABB}$ , $\overline{ARTRY}$ , $\overline{DBB}$ ) | —      | 13.0 | —       | 12.0 | —       | 11.0 | —       | 11.0 | ns                  | 3     |
| 14b | SYSClk to output valid (all except $\overline{TS}$ ,<br>$\overline{ABB}$ , $\overline{ARTRY}$ , $\overline{DBB}$ )                 | —      | 11.0 | —       | 10.0 | —       | 9.0  | —       | 9.0  | ns                  | 5     |
| 15  | SYSClk to output invalid (output hold)   | 1.5    | —    | 1.5     | —    | 1.0     | —    | 1.0     | —    | ns                  | 2     |
| 16  | SYSClk to output high impedance (all<br>except $\overline{ARTRY}$ , $\overline{ABB}$ , $\overline{DBB}$ )                          | —      | 9.5  | —       | 8.5  | —       | 8.5  | —       | 8.5  | ns                  |       |
| 17  | SYSClk to $\overline{ABB}$ , $\overline{DBB}$ , high impedance<br>after precharge  | —      | 1.2  | —       | 1.2  | —       | 1.0  | —       | 1.0  | t <sub>sysclk</sub> | 4, 6  |
| 18  | SYSClk to $\overline{ARTRY}$ high impedance<br>before precharge  | —      | 9.0  | —       | 8.0  | —       | 8.0  | —       | 8.0  | ns                  |       |

**Table 9. Output AC Timing Specifications<sup>1</sup> (Continued)**

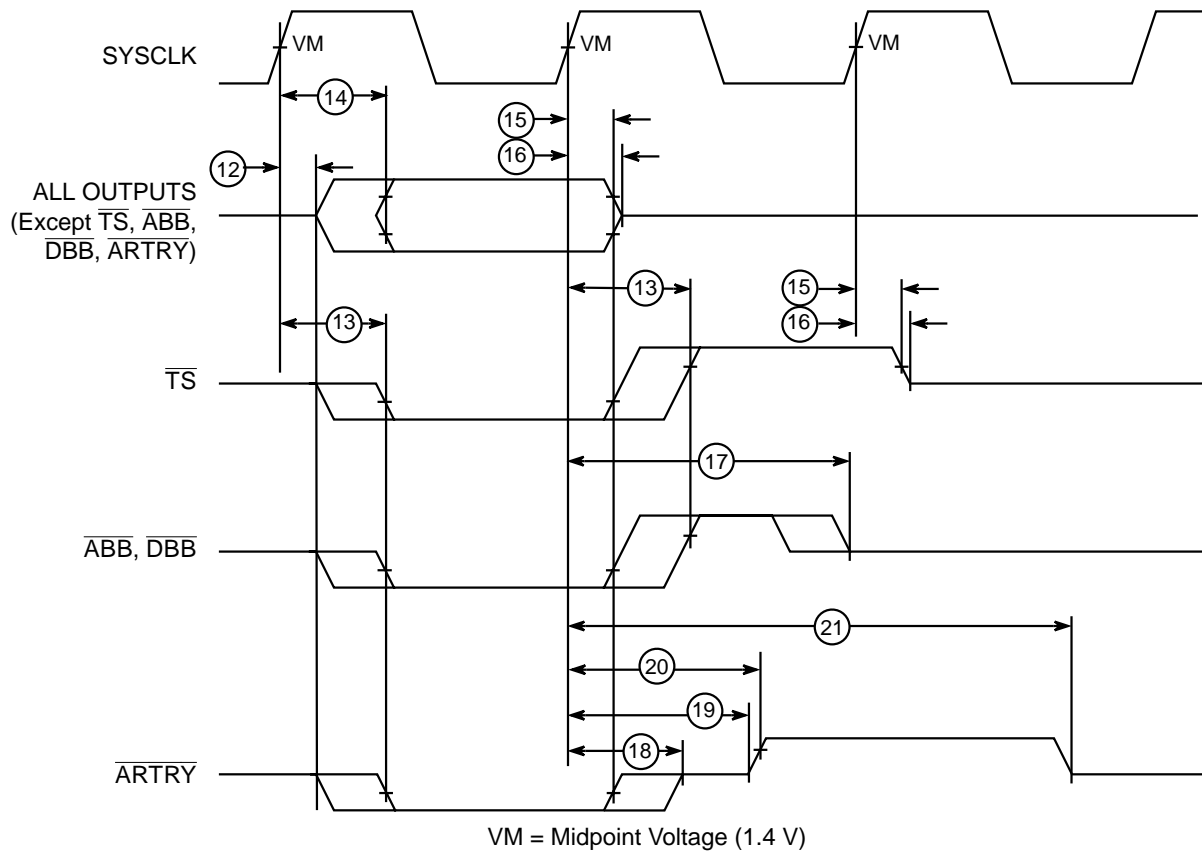
V<sub>dd</sub> = AV<sub>dd</sub> = 2.5 ± 5% V<sub>dc</sub> (= 3.3 ± 5% V<sub>dc</sub> for PID6). O V<sub>dd</sub> = 3.3 ± 5% V<sub>dc</sub>. GND = 0 V<sub>dc</sub>, 0 ≤ T<sub>j</sub> ≤ 105 °C. C<sub>L</sub> = 50 pF (unless otherwise noted) (PID6 maximum timing specifications assume C<sub>L</sub> = 50pF).

| Num | Characteristic   | PID6   |     |                                    |      | PID7v                              |     | PID7t                              |     | Unit                | Notes |
|-----|--|--------|-----|------------------------------------|------|------------------------------------|-----|------------------------------------|-----|---------------------|-------|
|     |  | 80 MHz |     | 100 MHz                            |      | 166 MHz                            |     | 200 MHz                            |     |                     |       |
|     |  | Min    | Max | Min                                | Max  | Min                                | Max | Min                                | Max |                     |       |
| 19  | SYSCLK to $\overline{\text{ARTRY}}$ precharge enable               | —      | —   | 0.2 *<br>$t_{\text{sysclk}} + 1.0$ | —    | 0.2 *<br>$t_{\text{sysclk}} + 1.0$ | —   | 0.2 *<br>$t_{\text{sysclk}} + 1.0$ | —   | ns                  | 2,4,7 |
| 20  | Maximum delay to $\overline{\text{ARTRY}}$ precharge               | —      | —   | —                                  | 1.2  | —                                  | 1.0 | —                                  | 1.0 | $t_{\text{sysclk}}$ | 4,7   |
| 21  | SYSCLK to $\overline{\text{ARTRY}}$ high impedance after precharge | —      | —   | —                                  | 2.25 | —                                  | 2.0 | —                                  | 2.0 | $t_{\text{sysclk}}$ | 5,7   |

**Notes:**

1. All output specifications are measured from the 1.4 V of the rising edge of SYSCLK to the TTL level (0.8 V or 2.0 V) of the signal in question. Both input and output timings are measured at the pin (see Figure 4).
2. This minimum parameter assumes C<sub>L</sub> = 0 pF.
3. SYSCLK to output valid (5.5 V to 0.8 V) includes the extra delay associated with discharging the external voltage from 5.5 V to 0.8 V instead of from V<sub>dd</sub> to 0.8 V (5-V CMOS levels instead of 3.3-V CMOS levels).
4.  $t_{\text{sysclk}}$  is the period of the external bus clock (SYSCLK) in nanoseconds (ns). The numbers given in the table must be multiplied by the period of SYSCLK to compute the actual time duration (in nanoseconds) of the parameter in question.
5. Output signal transitions from GND to 2.0 V or V<sub>dd</sub> to 0.8 V.
6. Nominal precharge width for  $\overline{\text{ABB}}$  and  $\overline{\text{DBB}}$  is 0.5  $t_{\text{sysclk}}$ .
7. Nominal precharge width for  $\overline{\text{ARTRY}}$  is 1.0  $t_{\text{sysclk}}$ .

Figure 4 provides the output timing diagram for the 603e and EM603e.



**Figure 4. Output Timing Diagram for 603e and EM603e**

### 1.4.3 JTAG AC Timing Specifications

Table 10 provides the JTAG AC timing specifications as defined in Figure 5, Figure 6, Figure 7 and Figure 8.

**Table 10. JTAG AC Timing Specifications**

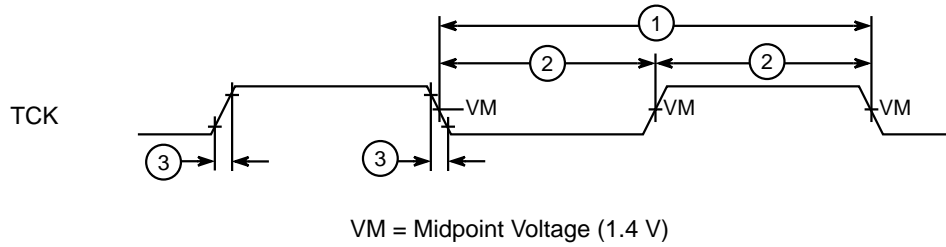
Vdd = AVdd = 2.5 ± 5% Vdc (= 3.3 ± 5% Vdc for PID6). O Vdd = 3.3 ± 5% Vdc. GND = 0 Vdc, 0 ≤ Tj ≤ 105°C. CL = 50 pF.

| Num | Characteristic   | Min  | Max | Unit | Notes |
|-----|--|------|-----|------|-------|
|     | TCK frequency of operation                             | 0    | 16  | MHz  |       |
| 1   | TCK cycle time   | 62.5 | —   | ns   |       |
| 2   | TCK clock pulse width measured at 1.4 V                | 25   | —   | ns   |       |
| 3   | TCK rise and fall times                                | 0    | 3   | ns   |       |
| 4   | $\overline{\text{TRST}}$ setup time to TCK rising edge | 13   | —   | ns   | 1     |
| 5   | $\overline{\text{TRST}}$ assert time                   | 40   | —   | ns   |       |
| 6   | Boundary scan input data setup time                    | 6    | —   | ns   | 2     |
| 7   | Boundary scan input data hold time                     | 27   | —   | ns   | 2     |
| 8   | TCK to output data valid                               | 4    | 25  | ns   | 3     |
| 9   | TCK to output high impedance                           | 3    | 24  | ns   | 3     |
| 10  | TMS, TDI data setup time                               | 0    | —   | ns   |       |
| 11  | TMS, TDI data hold time                                | 25   | —   | ns   |       |
| 12  | TCK to TDO data valid                                  | 4    | 24  | ns   |       |
| 13  | TCK to TDO high impedance                              | 3    | 15  | ns   |       |

**Notes:**

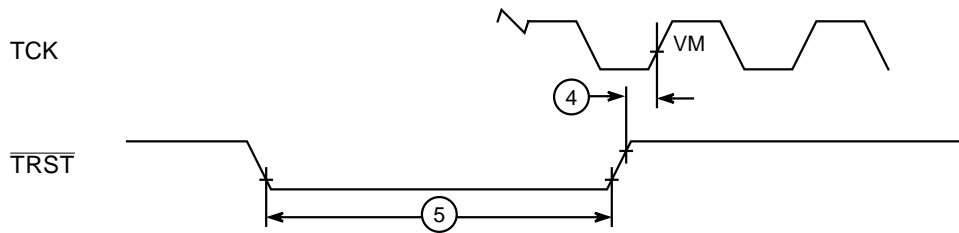
1.  $\overline{\text{TRST}}$  is an asynchronous signal. The setup time is for test purposes only.
2. Non-test signal input timing with respect to TCK.
3. Non-test signal output timing with respect to TCK.

Figure 5 provides the JTAG clock input timing diagram.



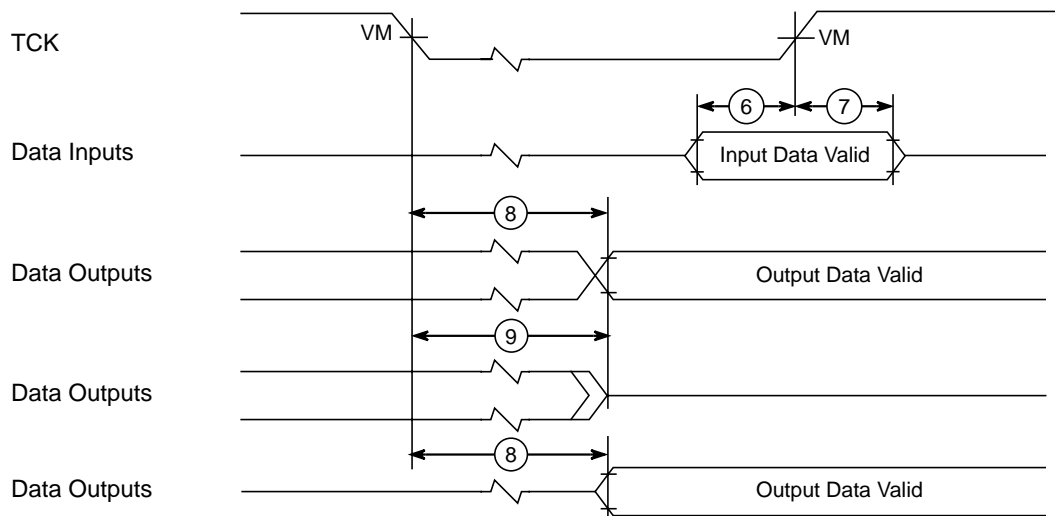
**Figure 5. JTAG Clock Input Timing Diagram**

Figure 6 provides the  $\overline{\text{TRST}}$  timing diagram.



**Figure 6.  $\overline{\text{TRST}}$  Timing Diagram**

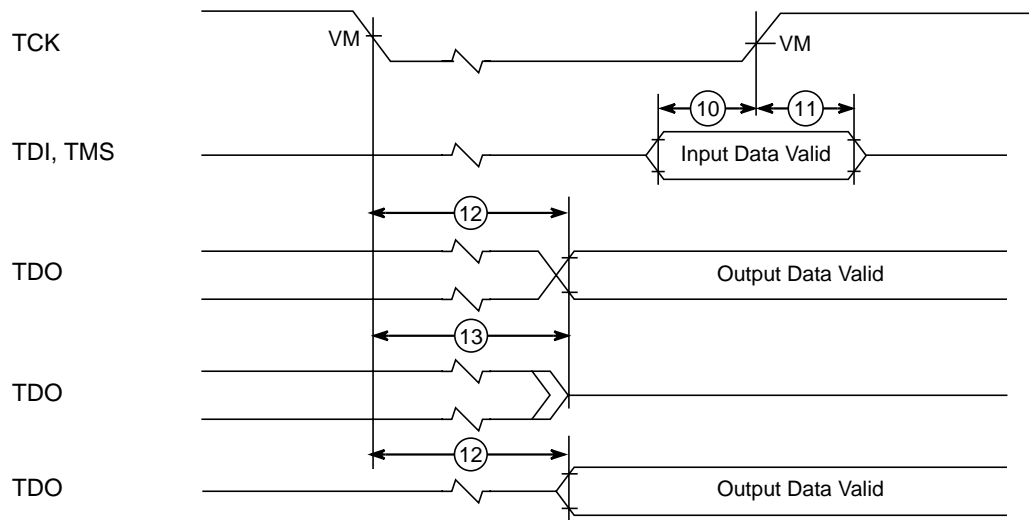
Figure 7 provides the boundary-scan timing diagram.



**Figure 7. Boundary-Scan Timing Diagram**



Figure 8 provides the test access port timing diagram.



**Figure 8. Test Access Port Timing Diagram**

# 1.5 PowerPC 603e and EM603e Processor Pin Assignments

The following sections contain the pinout diagrams for the 603e and EM603e. Note that the 603e and EM603e are offered in both C4 flat pack (C4FP) and ceramic ball grid array (CBGA) packages. The EM603e is also offered as a plastic flat pack (PFP) package

## 1.5.1 Pinout Diagram for the C4FP and PFP Packages

Figure 9 contains the C4FP pin assignments for the 603e and the C4FP and PFP pin assignments for the EM603e.

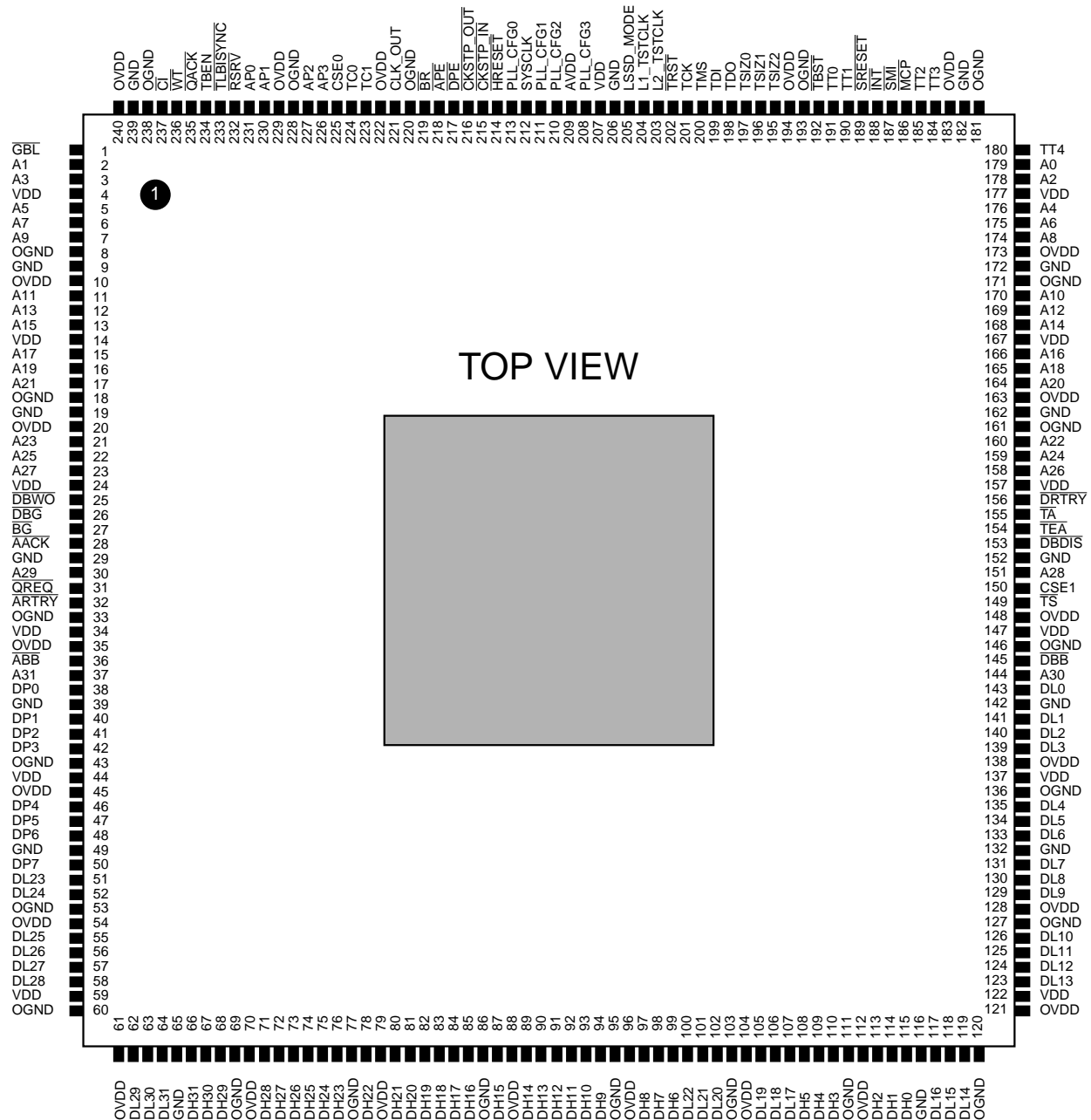
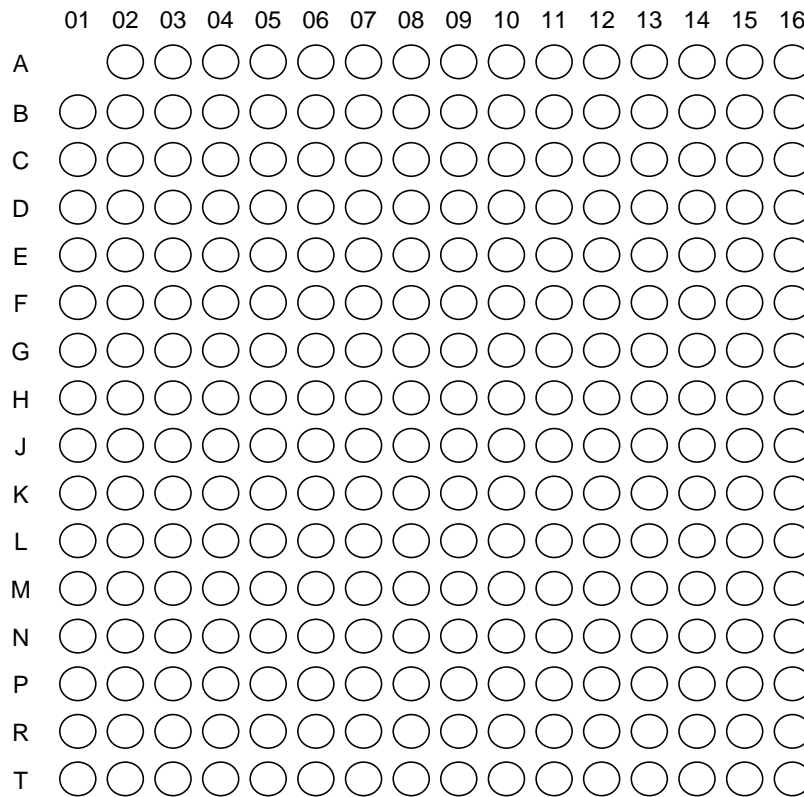


Figure 9. Pinout of the C4FP and PFP Packages

## 1.5.2 Pinout Diagram for the CBGA Package

Figure 10 (in part A) shows the pinout of the CBGA package as viewed from the top surface. Part B shows the side profile of the CBGA package to indicate the direction of the top surface view.

### Part A



Not to Scale

### Part B

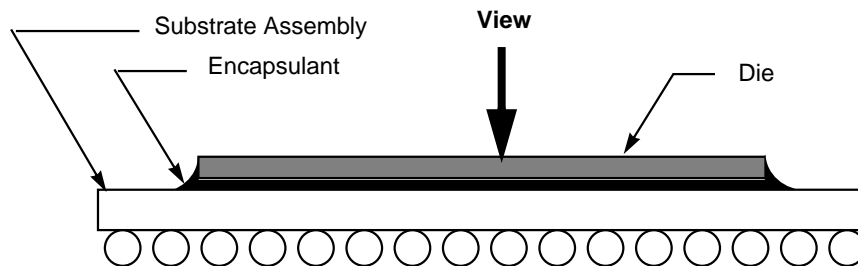


Figure 10. Pinout of the CBGA Package as Viewed from the Top Surface

## 1.6 PowerPC 603e and EM603e Processor Pinout Listings

The following sections provide the pinout listings for the 603e and EM603e C4FP, PFP, and CBGA packages.

### 1.6.1 Pinout Listing for the C4FP and PFP Packages

Table 11 provides the pinout listing for the 603e C4FP package and EM603e C4FP and PFP packages.

**Table 11. Pinout Listing for the 240-pin C4FP and PFP Packages**

| Signal Name                                | Pin Number  | Active | I/O    |
|--|---|--------|--------|
| A[0–31]                                    | 179, 2, 178, 3, 176, 5, 175, 6, 174, 7, 170, 11, 169, 12, 168, 13, 166, 15, 165, 16, 164, 17, 160, 21, 159, 22, 158, 23, 151, 30, 144, 37             | High   | I/O    |
| $\overline{\text{AACK}}$                   | 28  | Low    | Input  |
| $\overline{\text{ABB}}$                    | 36  | Low    | I/O    |
| AP[0–3]                                    | 231, 230, 227, 226  | High   | I/O    |
| $\overline{\text{APE}}$                    | 218   | Low    | Output |
| $\overline{\text{ARTRY}}$                  | 32  | Low    | I/O    |
| AVDD                                       | 209   | High   | Input  |
| $\overline{\text{BG}}$                     | 27  | Low    | Input  |
| $\overline{\text{BR}}$                     | 219   | Low    | Output |
| $\overline{\text{CI}}$                     | 237   | Low    | Output |
| CLK_OUT                                    | 221   | —      | Output |
| $\overline{\text{CKSTP\_IN}}$              | 215   | Low    | Input  |
| $\overline{\text{CKSTP\_OUT}}$             | 216   | Low    | Output |
| CSE[0–1] <sup>1</sup>                      | 225, 150  | High   | Output |
| $\overline{\text{DBB}}$                    | 145   | Low    | I/O    |
| $\overline{\text{DBDIS}}$                  | 153   | Low    | Input  |
| $\overline{\text{DBG}}$                    | 26  | Low    | Input  |
| $\overline{\text{DBW}\overline{\text{O}}}$ | 25  | Low    | Input  |
| DH[0–31]                                   | 115, 114, 113, 110, 109, 108, 99, 98, 97, 94, 93, 92, 91, 90, 89, 87, 85, 84, 83, 82, 81, 80, 78, 76, 75, 74, 73, 72, 71, 68, 67, 66                  | High   | I/O    |
| DL[0–31]                                   | 143, 141, 140, 139, 135, 134, 133, 131, 130, 129, 126, 125, 124, 123, 119, 118, 117, 107, 106, 105, 102, 101, 100, 51, 52, 55, 56, 57, 58, 62, 63, 64 | High   | I/O    |
| DP[0–7]                                    | 38, 40, 41, 42, 46, 47, 48, 50  | High   | I/O    |

**Table 11. Pinout Listing for the 240-pin C4FP and PFP Packages (Continued)**

| Signal Name                | Pin Number  | Active | I/O    |
|----------------------------|---|--------|--------|
| $\overline{\text{DPE}}$    | 217   | Low    | Output |
| $\overline{\text{DRTRY}}$  | 156   | Low    | Input  |
| $\overline{\text{GBL}}$    | 1   | Low    | I/O    |
| GND                        | 9, 19, 29, 39, 49, 65, 116, 132, 142, 152, 162, 172, 182, 206, 239                                      | Low    | Input  |
| $\overline{\text{HRESET}}$ | 214   | Low    | Input  |
| $\overline{\text{INT}}$    | 188   | Low    | Input  |
| LSSD_MODE <sup>2</sup>     | 205   | Low    | Input  |
| L1_TSTCLK <sup>2</sup>     | 204   | —      | Input  |
| L2_TSTCLK <sup>2</sup>     | 203   | —      | Input  |
| $\overline{\text{MCP}}$    | 186   | Low    | Input  |
| OGND                       | 8, 18, 33, 43, 53, 60, 69, 77, 86, 95, 103, 111, 120, 127, 136, 146, 161, 171, 181, 193, 220, 228, 238  | Low    | Input  |
| OVDD <sup>3</sup>          | 10, 20, 35, 45, 54, 61, 70, 79, 88, 96, 104, 112, 121, 128, 138, 148, 163, 173, 183, 194, 222, 229, 240 | High   | Input  |
| PLL_CFG [0–3]              | 213, 211, 210, 208  | High   | Input  |
| $\overline{\text{QACK}}$   | 235   | Low    | Input  |
| $\overline{\text{QREQ}}$   | 31  | Low    | Output |
| $\overline{\text{RSRV}}$   | 232   | Low    | Output |
| $\overline{\text{SMI}}$    | 187   | Low    | Input  |
| $\overline{\text{SRESET}}$ | 189   | Low    | Input  |
| SYSCLK                     | 212   | —      | Input  |
| $\overline{\text{TA}}$     | 155   | Low    | Input  |
| TBEN                       | 234   | High   | Input  |
| $\overline{\text{TBST}}$   | 192   | Low    | I/O    |
| TC[0–1]                    | 224, 223  | High   | Output |
| TCK                        | 201   | —      | Input  |
| TDI                        | 199   | High   | Input  |
| TDO                        | 198   | High   | Output |
| $\overline{\text{TEA}}$    | 154   | Low    | Input  |

**Table 11. Pinout Listing for the 240-pin C4FP and PFP Packages (Continued)**

| Signal Name      | Pin Number   | Active | I/O                      |
|------------------|--|--------|--------------------------|
| TLBISYNC         | 233  | Low    | Input                    |
| TMS              | 200  | High   | Input                    |
| TRST             | 202  | Low    | Input                    |
| TSIZ[0–2]        | 197, 196, 195  | High   | Output<br>(I/O for PID6) |
| TS               | 149  | Low    | I/O                      |
| TT[0–4]          | 191, 190, 185, 184, 180                                  | High   | I/O                      |
| VDD <sup>3</sup> | 4, 14, 24, 34, 44, 59, 122, 137, 147, 157, 167, 177, 207 | High   | Input                    |
| WT               | 236  | Low    | Output                   |

**Notes:**

1. There are two CSE signals in the 603e and EM603e—CSE0 and CSE1. The XATS signal in the PowerPC 603™ microprocessor is replaced by the CSE1 signal in both the PID6 and the PID7.
2. These are test signals for factory use only and must be pulled up to OVdd for normal machine operation.
3. OVdd inputs supply power to the I/O drivers and Vdd inputs supply power to the processor core.

## 1.6.2 Pinout Listing for the 603e and EM603e CBGA Packages

Table 12 provides the pinout listing for the 603e and EM603e CBGA packages.

**Table 12. Pinout Listing for the 255 CBGA Package**

| Signal Name | Pin Number   | Active | I/O    |
|-------------|--|--------|--------|
| A[0–31]     | C16, E04, D13, F02, D14, G01, D15, E02, D16, D04, E13, GO2, E15, H01, E16, H02, F13, J01, F14, J02, F15, H03, F16, F04, G13, K01, G15, K02, H16, M01, J15, P01 | High   | I/O    |
| AACK        | L02  | Low    | Input  |
| ABB         | K04  | Low    | I/O    |
| AP[0–3]     | C01, B04, B03, B02   | High   | I/O    |
| APÉ         | A04  | Low    | Output |
| ARTRY       | J04  | Low    | I/O    |
| AVDD        | A10  | —      | —      |
| BG          | L01  | Low    | Input  |
| BR          | B06  | Low    | Output |
| CÍ          | E01  | Low    | Output |
| CKSTP_IN    | D08  | Low    | Input  |
| CKSTP_OUT   | A06  | Low    | Output |

**Table 12. Pinout Listing for the 255 CBGA Package (Continued)**

| Signal Name                                       | Pin Number   | Active                 | I/O                      |
|---|--|------------------------|--------------------------|
| CLK_OUT   | D07  | —                      | Output                   |
| CSE[0–1]  | B01, B05   | High                   | Output                   |
| $\overline{\text{DBB}}$                           | J14  | Low                    | I/O                      |
| $\overline{\text{DBG}}$                           | N01  | Low                    | Input                    |
| $\overline{\text{DBDIS}}$                         | H15  | Low                    | Input                    |
| $\overline{\text{DBWO}}$                          | G04  | Low                    | Input                    |
| DH[0–31]  | P14, T16, R15, T15, R13, R12, P11, N11, R11, T12, T11, R10, P09, N09, T10, R09, T09, P08, N08, R08, T08, N07, R07, T07, P06, N06, R06, T06, R05, N05, T05, T04   | High                   | I/O                      |
| DL[0–31]  | K13, K15, K16, L16, L15, L13, L14, M16, M15, M13, N16, N15, N13, N14, P16, P15, R16, R14, T14, N10, P13, N12, T13, P03, N03, N04, R03, T01, T02, P04, T03, R04   | High                   | I/O                      |
| DP[0–7]   | M02, L03, N02, L04, R01, P02, M04, R02   | High                   | I/O                      |
| $\overline{\text{DPE}}$                           | A05  | Low                    | Output                   |
| DRTRY   | G16  | Low                    | Input                    |
| $\overline{\text{GBL}}$                           | F01  | Low                    | I/O                      |
| GND   | C05, C12, E03, E06, E08, E09, E11, E14, F05, F07, F10, F12, G06, G08, G09, G11, H05, H07, H10, H12, J05, J07, J10, J12, K06, K08, K09, K11, L05, L07, L10, L12, M03, M06, M08, M09, M11, M14, P05, P12 | —                      | —                        |
| HRESET  | A07  | Low                    | Input                    |
| $\overline{\text{INT}}$                           | B15  | Low                    | Input                    |
| L1_TSTCLK <sup>1</sup>                            | D11  | —                      | Input                    |
| L2_TSTCLK <sup>1</sup>                            | D12  | —                      | Input                    |
| LSSD_MODE <sup>1</sup><br>(LSSD_MODE<br>for PID6) | B10  | Low                    | Input                    |
| MCP   | C13  | Low                    | Input                    |
| NC<br>(No-Connect)                                | B07, B08, C03, C06, C08, D05, D06, H04, J16  | —<br>(Low for<br>PID6) | —<br>(Input for<br>PID6) |
| OVDD  | C07, E05, E07, E10, E12, G03, G05, G12, G14, K03, K05, K12, K14, M05, M07, M10, M12, P07, P10  | —                      | —                        |
| PLL_CFG[0–3]                                      | A08, B09, A09, D09   | High                   | Input                    |
| $\overline{\text{QACK}}$                          | D03  | Low                    | Input                    |
| $\overline{\text{QREQ}}$                          | J03  | Low                    | Output                   |
| RSRV  | D01  | Low                    | Output                   |
| $\overline{\text{SMI}}$                           | A16  | Low                    | Input                    |

**Table 12. Pinout Listing for the 255 CBGA Package (Continued)**

| Signal Name                  | Pin Number   | Active | I/O    |
|------------------------------|--|--------|--------|
| $\overline{\text{SRESET}}$   | B14  | Low    | Input  |
| SYSCLK                       | C09  | —      | Input  |
| $\overline{\text{TA}}$       | H14  | Low    | Input  |
| TBEN                         | C02  | High   | Input  |
| $\overline{\text{TBST}}$     | A14  | Low    | I/O    |
| TC[0–1]                      | A02, A03   | High   | Output |
| TCK                          | C11  | —      | Input  |
| TDI                          | A11  | High   | Input  |
| TDO                          | A12  | High   | Output |
| $\overline{\text{TEA}}$      | H13  | Low    | Input  |
| $\overline{\text{TLBISYNC}}$ | C04  | Low    | Input  |
| TMS                          | B11  | High   | Input  |
| $\overline{\text{TRST}}$     | C10  | Low    | Input  |
| $\overline{\text{TS}}$       | J13  | Low    | I/O    |
| TSIZ[0–2]                    | A13, D10, B12  | High   | Output |
| TT[0–4]                      | B13, A15, B16, C14, C15  | High   | I/O    |
| $\overline{\text{WT}}$       | D02  | Low    | Output |
| VDD <sup>2</sup>             | F06, F08, F09, F11, G07, G10, H06, H08, H09, H11, J06, J08, J09, J11, K07, K10, L06, L08, L09, L11 | —      | —      |
| VOLTDETGND <sup>3</sup>      | F03  | Low    | Output |

**Notes:**

1. These are test signals for factory use only and must be pulled up to OVdd for normal machine operation.
2. OVdd inputs supply power to the I/O drivers and Vdd inputs supply power to the processor core.
3. NC (no-connect) in the PID6; internally tied to GND in the PID7v CBGA package to indicate to the power supply that a low-voltage processor is present.



## 1.7 PowerPC 603e and EM603e Processor Package Descriptions

The following sections provide the package parameters and the mechanical dimensions for the 603e and EM603e. Note that the 603e and EM603e are currently offered in the C4FP (and PFP for EM603e only), as well as in a common ceramic ball grid array (CBGA) package.

### 1.7.1 C4FP Package Description

The following sections provide the package parameters and mechanical dimensions for the C4FP package.

#### 1.7.1.1 Package Parameters

The package parameters are as provided in the following list. The package type is 32 mm x 32 mm, 240-pin C4 flat pack.

|                            |   |
|----------------------------|---|
| Package outline            | 32 mm x 32 mm   |
| Interconnects              | 240   |
| Pitch                      | 0.5 mm  |
| Lead plating material      | Ni Au   |
| Lead plating thickness     | Ni = $50 \pm 25$ $\mu$ -inch<br>Au = $13 \pm 5$ $\mu$ -inch |
| Solder joint               | Sn/Pb (10/90)   |
| Lead encapsulation         | Epoxy   |
| Solder-bump encapsulation  | Epoxy   |
| Maximum module height      | 4.1 mm  |
| Co-planarity specification | 0.08 mm   |

**Note:** No solvent can be used with the C4FP package. See Appendix A, “.General Handling Recommendations for the C4FP Package,” for details.

### 1.7.1.2 Mechanical Dimensions of the C4FP Package

Figure 11 shows the mechanical dimensions for the C4FP package with a ceramic cap.

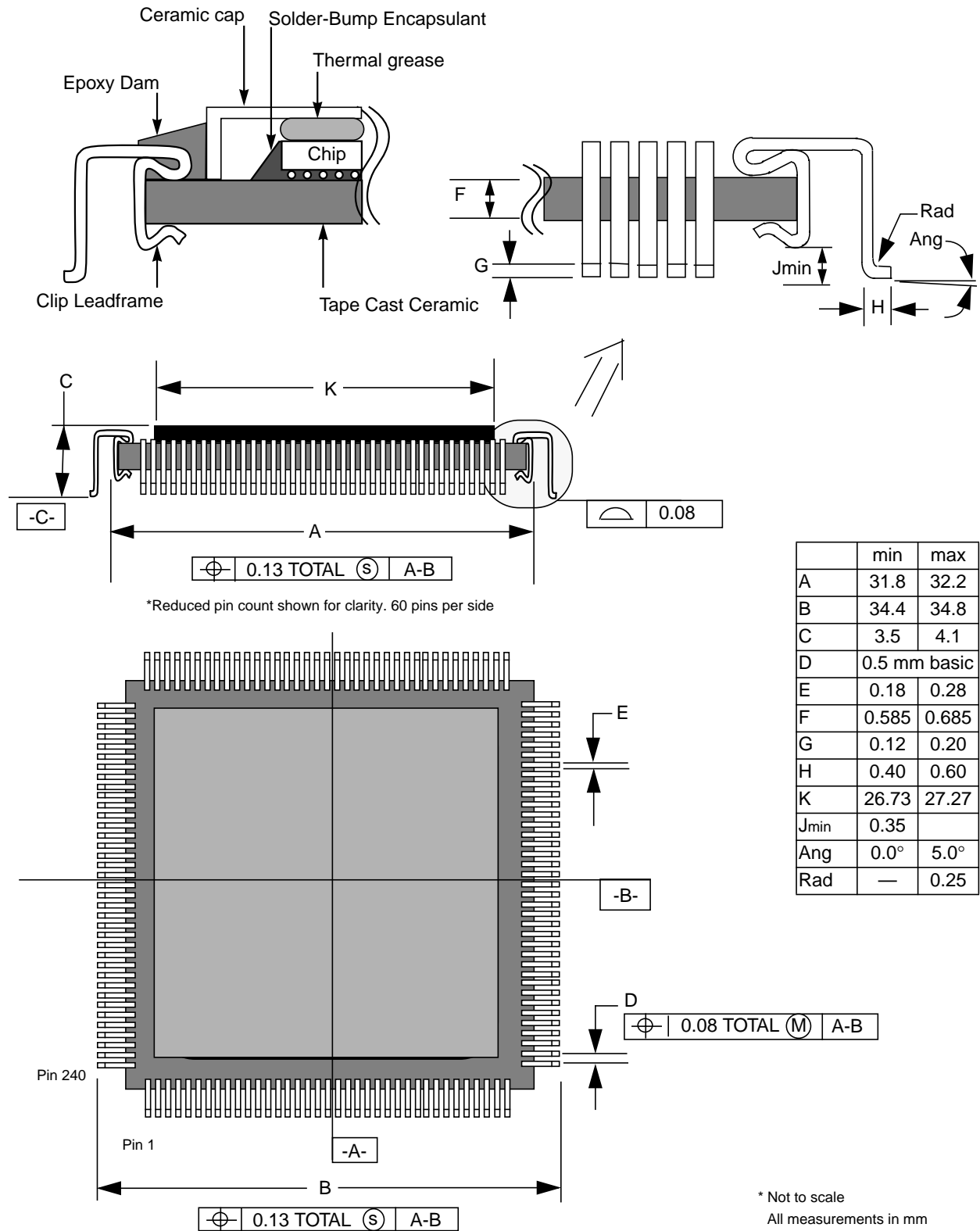


Figure 11. Mechanical Dimensions of the Solder-Bump C4FP Package with Cap

Figure 12 shows the mechanical dimensions for the C4FP package without a ceramic cap.

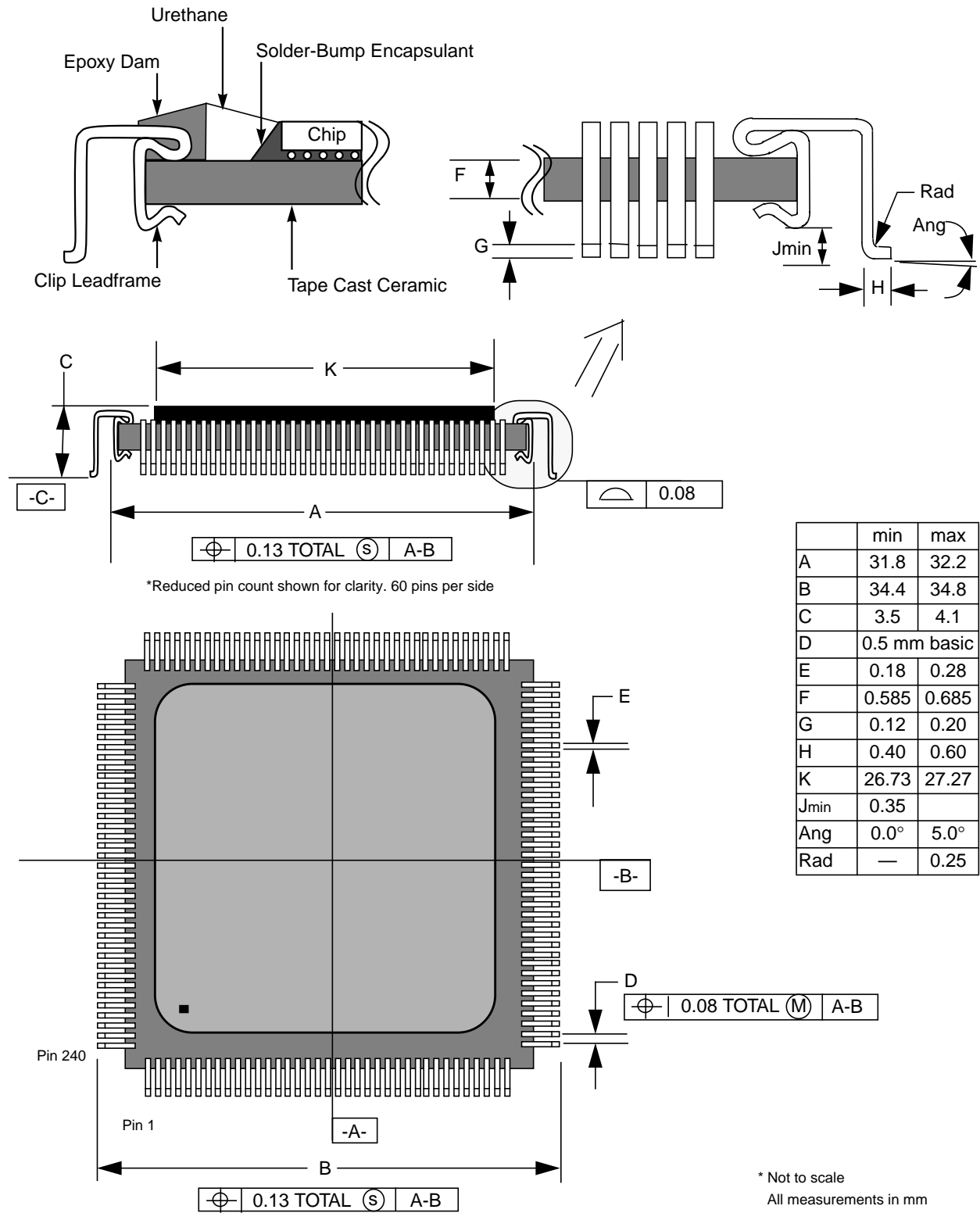


Figure 12. Mechanical Dimensions of the Solder-Bump C4FP Package W/O Cap

## 1.7.2 CBGA Package Description

The following sections provide the package parameters and mechanical dimensions for the CBGA packages.

### 1.7.2.1 Package Parameters

The package parameters are as provided in the following list. The package type is 21 mm x 21 mm, 255-lead ceramic ball grid array (CBGA).

|                        |                                      |
|------------------------|--------------------------------------|
| Package outline        | 21 mm x 21 mm                        |
| Interconnects          | 255                                  |
| Pitch                  | 1.27 mm (50 mil)                     |
| Package height         | Minimum: 2.45 mm<br>Maximum: 3.00 mm |
| Ball diameter          | 0.89 mm (35 mil)                     |
| Maximum heatsink force | 10 pounds.                           |

### 1.7.2.2 Mechanical Dimensions of the CBGA Package

Figure 13 provides the mechanical dimensions and bottom surface nomenclature of the CBGA package.

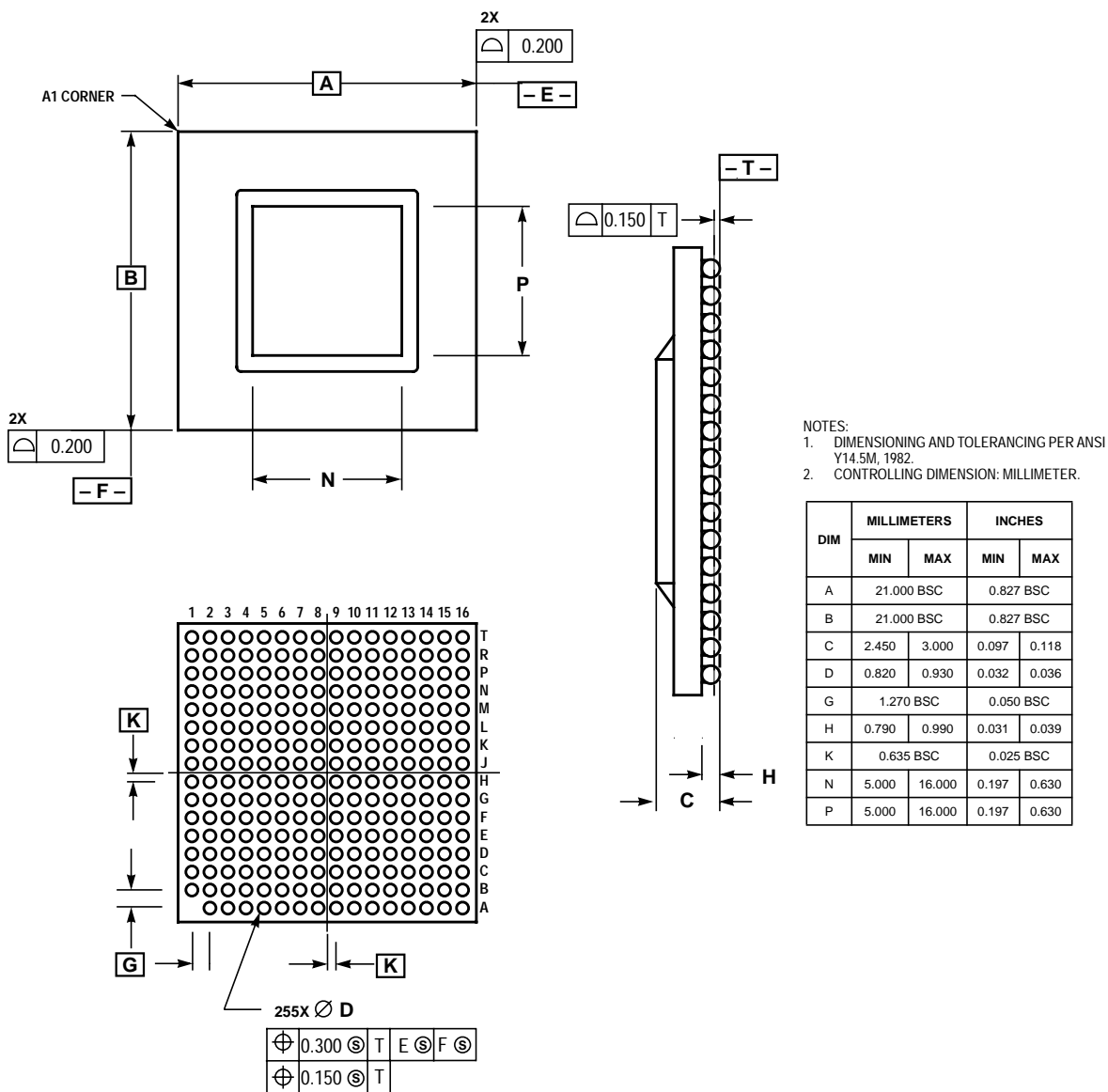


Figure 13. Mechanical Dimensions and Bottom Surface Nomenclature of the CBGA Package

### 1.7.3 PFP-HS Package Description

The following sections provide the package parameters and mechanical dimensions for the PFP-HS packages.

#### 1.7.3.1 Package Parameters

The package parameters are as provided in the following list. The package type is 240 lead PQFP with heat spreader embedded in the chip face down.

|                  |                    |
|------------------|--------------------|
| Body size        | 32 x 32 mm         |
| Lead pitch       | 0.5 mm             |
| Module thickness | 3.4 mm             |
| Tip to tip       | 34.6 x 34.6 mm max |
| Module height    | 4.1 mm max         |
| Leadframe        | Copper             |

### 1.7.3.2 Mechanical Dimensions of the PFP-HS Package

Figure 14 provides the mechanical dimensions and bottom surface nomenclature of the PFP-HS package.

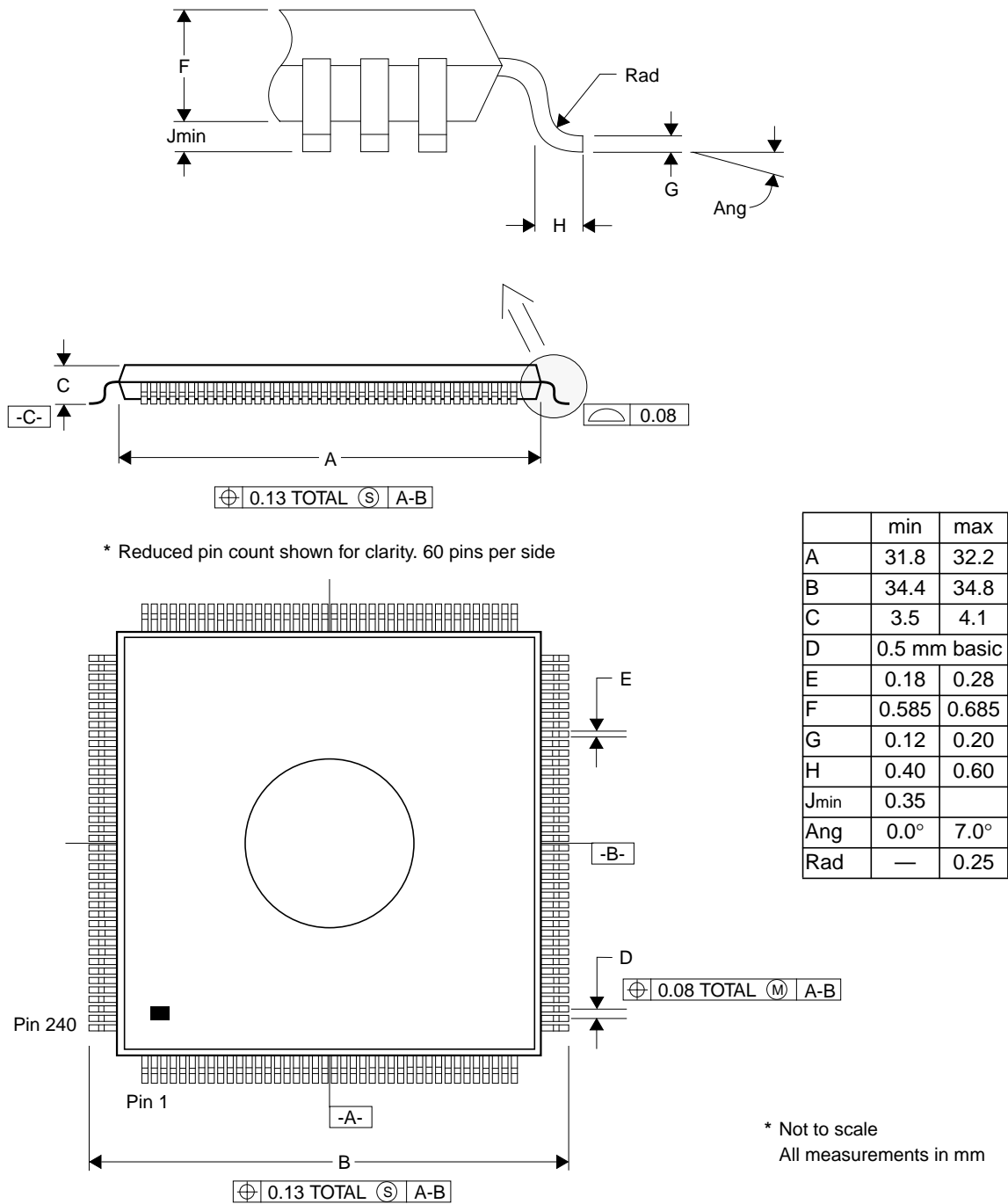


Figure 14. Mechanical Dimensions of the PFP-HS Package

## 1.8 System Design Information

This section provides electrical and thermal design recommendations for successful application of the 603e and EM603e. Note that all setting for CPU/bus frequencies are not tested/guaranteed unless otherwise specified.

### 1.8.1 PLL Configuration

The 603e and EM603e PLL is configured by the PLL\_CFG[0–3] signals. For a given SYSCLK (bus) frequency, the PLL configuration signals set the internal CPU and VCO frequency of operation. The PLL configuration for the PID6 is shown in Table 13 for nominal frequencies.

**Table 13. PowerPC 603e and EM603e Microprocessor PLL Configuration for PID6**

| PLL_CFG<br>[0–3] <sup>1</sup> | CPU Frequency in MHz (VCO Frequency in MHz) |                           |                     |                  |                  |                     |                  |                  |                  |                     |
|-------------------------------|---|---------------------------|---------------------|------------------|------------------|---------------------|------------------|------------------|------------------|---------------------|
|                               | Bus-to-Core<br>Multiplier                   | Core-to-VCO<br>Multiplier | Bus<br>16.67<br>MHz | Bus<br>20<br>MHz | Bus<br>25<br>MHz | Bus<br>33.33<br>MHz | Bus<br>40<br>MHz | Bus<br>50<br>MHz | Bus<br>60<br>MHz | Bus<br>66.67<br>MHz |
| 0000                          | 1x  | 2x                        | —                   | —                | —                | —                   | —                | 50<br>(100)      | 60<br>(120)      | 66.67<br>(133)      |
| 0001                          | 1x  | 4x                        | —                   | —                | —                | 33.33<br>(133)      | 40<br>(160)      | 50<br>(200)      | 60<br>(240)      | —                   |
| 0010                          | 1x  | 8x                        | 16.67<br>(133)      | 20<br>(160)      | 25<br>(200)      | 33.33<br>(266)      | —                | —                | —                | —                   |
| 1100                          | 1.5x  | 2x                        | —                   | —                | —                | 50<br>(100)         | 60<br>(120)      | 75<br>(150)      | 90<br>(180)      | 100<br>(200)        |
| 0100                          | 2x  | 2x                        | —                   | —                | —                | 16.67<br>(133)      | 80<br>(160)      | 100<br>(200)     | 120<br>(240)     | 133.33<br>(266)     |
| 0101                          | 2x  | 4x                        | 33.33<br>(133)      | 40<br>(160)      | 50<br>(200)      | 66.67<br>(266)      | —                | —                | —                | —                   |
| 0110                          | 2.5x  | 2x                        | —                   | 50<br>(100)      | 62.5<br>(125)    | 83.33<br>(166)      | 100<br>(200)     | 125<br>(250)     | —                | —                   |
| 1000                          | 3x  | 2x                        | 50<br>(100)         | 60<br>(120)      | 75<br>(150)      | 100<br>(200)        | 120<br>(240)     | —                | —                | —                   |
| 1110                          | 3.5x  | 2x                        | 58.4<br>(117)       | 70<br>(140)      | 87.5<br>(175)    | 116.6<br>7<br>(233) | —                | —                | —                | —                   |
| 1010                          | 4x  | 2x                        | 66.67<br>(133)      | 80<br>(160)      | 100<br>(200)     | 200<br>(400)        | 240<br>(480)     | 240<br>(480)     |                  |                     |
| 0011                          | PLL bypass                                  |                           |                     |                  |                  |                     |                  |                  |                  |                     |



**Table 13. PowerPC 603e and EM603e Microprocessor PLL Configuration for PID6 (Continued)**

| PLL_CFG<br>[0–3] <sup>1</sup> | CPU Frequency in MHz (VCO Frequency in MHz) |                                   |                     |                  |                  |                     |                  |                  |                  |                     |
|-------------------------------|---|-----------------------------------|---------------------|------------------|------------------|---------------------|------------------|------------------|------------------|---------------------|
|                               | Bus-to-<br>Core<br>Multi-<br>plier          | Core-to<br>VCO<br>Multi-<br>plier | Bus<br>16.67<br>MHz | Bus<br>20<br>MHz | Bus<br>25<br>MHz | Bus<br>33.33<br>MHz | Bus<br>40<br>MHz | Bus<br>50<br>MHz | Bus<br>60<br>MHz | Bus<br>66.67<br>MHz |
| 1111                          | Clock off                                   |                                   |                     |                  |                  |                     |                  |                  |                  |                     |

**Notes:**

1. PLL\_CFG[0-3] settings not listed are reserved.
2. Some PLL configurations may select bus, core, or VCO frequencies which are not useful, not supported, or not tested for by the 603e and EM603e; see Section 1.4.2.1, “Clock AC Specifications,” for valid SYSCLK and VCO frequencies.
3. In PLL-bypass mode, the SYSCLK input signal clocks the internal processor directly, the PLL is disabled, and the bus mode is set for 1:1 mode operation. This mode is intended for factory use only.  
**Note:** The AC timing specifications given in this document do not apply in PLL-bypass mode.
4. In clock-off mode, no clocking occurs inside the 603e and EM603e regardless of the SYSCLK input.

The PLL configuration for the PID7v and PID7t is shown in Table 14 for nominal frequencies.

**Table 14. PowerPC 603e and EM603e Processor PLL Configuration for PID7v and PID7t**

| PLL_CFG[0–3] | CPU Frequency in MHz (VCO Frequency in MHz) |                              |               |                     |               |               |               |                     |               |
|--------------|---|------------------------------|---------------|---------------------|---------------|---------------|---------------|---------------------|---------------|
|              | Bus-to-<br>Core<br>Multiplier               | Core-to<br>VCO<br>Multiplier | Bus<br>25 MHz | Bus<br>33.33<br>MHz | Bus<br>40 MHz | Bus<br>50 MHz | Bus<br>60 MHz | Bus<br>66.67<br>MHz | Bus<br>75 MHz |
| 0100         | 2x  | 2x                           | —             | —                   | —             | —             | —             | 133<br>(266)        | 150<br>(300)  |
| 0101         | 2x  | 4x                           | —             | —                   | —             | —             | —             | —                   | —             |
| 0110         | 2.5x  | 2x                           | —             | —                   | —             | 125<br>(250)  | 150<br>(300)  | 166<br>(333)        | 187<br>(375)  |
| 1000         | 3x  | 2x                           | —             | —                   | 120<br>(240)  | 150<br>(300)  | 180<br>(360)  | 200<br>(400)        | 225<br>(450)  |
| 1110         | 3.5x  | 2x                           | —             | —                   | 140<br>(280)  | 175<br>(350)  | 210<br>(420)  | 233<br>(466)        | —             |
| 1010         | 4x  | 2x                           | —             | 133<br>(266)        | 160<br>(320)  | 200<br>(400)  | 240<br>(480)  | —                   | —             |
| 0111         | 4.5x  | 2x                           | —             | 150<br>(300)        | 180<br>(360)  | 225<br>(450)  | —             | —                   | —             |
| 1011         | 5x  | 2x                           | 125<br>(250)  | 166<br>(333)        | 200<br>(400)  | —             | —             | —                   | —             |
| 1001         | 5.5x  | 2x                           | 137<br>(275)  | 183<br>(366)        | 220<br>(440)  | —             | —             | —                   | —             |
| 1101         | 6x  | 2x                           | 150<br>(300)  | 200<br>(400)        | 240<br>(480)  | —             | —             | —                   | —             |

**Table 14. PowerPC 603e and EM603e Processor PLL Configuration for PID7v and PID7t (Continued)**

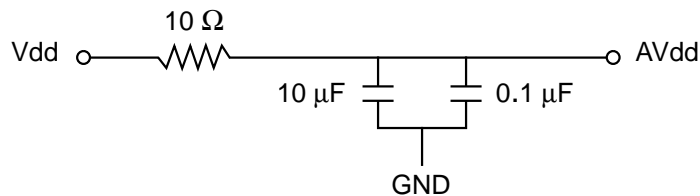
| PLL_CFG[0–3] | CPU Frequency in MHz (VCO Frequency in MHz) |                        |            |               |            |            |            |               |            |
|--------------|---|------------------------|------------|---------------|------------|------------|------------|---------------|------------|
|              | Bus-to-Core Multiplier                      | Core-to-VCO Multiplier | Bus 25 MHz | Bus 33.33 MHz | Bus 40 MHz | Bus 50 MHz | Bus 60 MHz | Bus 66.67 MHz | Bus 75 MHz |
| 0011         | PLL bypass                                  |                        |            |               |            |            |            |               |            |
| 1111         | Clock off                                   |                        |            |               |            |            |            |               |            |

**Notes:**

1. Some PLL configurations may select bus, CPU, or VCO frequencies which are not supported; see Section 1.4.2.1, “Clock AC Specifications,” for valid SYSCLK and VCO frequencies.
2. In PLL-bypass mode, the SYSCLK input signal clocks the internal processor directly, the PLL is disabled, and the bus mode is set for 1:1 mode operation. This mode is intended for factory use only.  
**Note:** The AC timing specifications given in this document do not apply in PLL-bypass mode.
3. In clock-off mode, no clocking occurs inside the 603e and EM603e regardless of the SYSCLK input.

### 1.8.2 PLL Power Supply Filtering

The AVdd power signal is provided on the 603e and EM603e to provide power to the clock generation phase-locked loop. To ensure stability of the internal clock, the power supplied to the AVdd input signal must be filtered using a circuit similar to the one shown in Figure 15. The circuit must be placed as close as possible to the AVdd pin to ensure that it filters out as much noise as possible. The 0.1 μF capacitor must be closest to the AVdd pin, followed by the 10 μF capacitor, then finally the 10 Ω resistor nearer to Vdd. These traces must be kept short and direct.



**Figure 15. PLL Power Supply Filter Circuit**

### 1.8.3 Decoupling Recommendations

Due to the 603e’s and EM603e’s dynamic power management feature, large address and data buses, and high operating frequencies, the 603e and EM603e can generate transient power surges and high frequency noise in their power supplies, especially while driving large capacitive loads. This noise must be prevented from reaching other components in the 603e and EM603e systems, and the 603e and EM603e themselves require a clean, tightly regulated source of power. Therefore, it is recommended that the system designer place at least one decoupling capacitor at each Vdd and OVdd pin of the 603e and EM603e. It is also recommended that these decoupling capacitors receive their power from separate Vdd, OVdd, and GND power planes in the PCB, utilizing short traces to minimize inductance.

These capacitors should vary in value from 220 pF to 10 μF to provide both high- and low-frequency filtering, and should be placed as close as possible to their associated Vdd or OVdd pin. Suggested values for the Vdd pins—220 pF (ceramic), 0.01 μF (ceramic), and 0.1 μF (ceramic). Suggested values for the OVdd pins—0.01 μF (ceramic), 0.1 μF (ceramic), and 10 μF (tantalum). Only SMT (surface mount technology) capacitors should be used to minimize lead inductance.

In addition, it is recommended that there be several bulk storage capacitors distributed around the PCB, feeding the Vdd and OVdd planes, to enable quick recharging of the smaller chip capacitors. These bulk capacitors should also have a low ESR (equivalent series resistance) rating to ensure the quick response time necessary. They must also be connected to the power and ground planes through two vias to minimize inductance. Suggested bulk capacitors—100  $\mu\text{F}$  (AVX TPS tantalum) or 330  $\mu\text{F}$  (AVX TPS tantalum).

## 1.8.4 Connection Recommendations

To ensure reliable operation, it is highly recommended to connect unused inputs to an appropriate signal level. Unused active low inputs should be tied to Vdd. Unused active high inputs should be connected to GND. All NC (no-connect) signals must remain unconnected.

Power and ground connections must be made to all external Vdd, OVdd, and GND pins of the 603e and EM603e.

## 1.8.5 Pull-up Resistor Requirements

The 603e and EM603e requires high-resistive (weak: 10  $\text{K}\Omega$ ) pull-up resistors on several control signals of the bus interface to maintain the control signals in the negated state after they have been actively negated and released by the 603e and EM603e or other bus master. These signals are— $\overline{\text{TS}}$ ,  $\overline{\text{ABB}}$ ,  $\overline{\text{DBB}}$ , and  $\overline{\text{ARTRY}}$ .

In addition, the 603e and EM603e have three open-drain style outputs that require pull-up resistors (weak or stronger: 4.7  $\text{K}\Omega$ –10 $\text{K}\Omega$ ) if they are used by the system. These signals are— $\overline{\text{APE}}$ ,  $\overline{\text{DPE}}$ , and  $\overline{\text{CKSTP\_OUT}}$ .

During inactive periods on the bus, the address and transfer attributes on the bus are not driven by any master and may float in the high-impedance state for relatively long periods of time. Since the 603e and EM603e must continually monitor these signals for snooping, this float condition may cause excessive power draw by the input receivers on the 603e and EM603e. It is recommended that these signals be pulled up through weak (10  $\text{K}\Omega$ ) pull-up resistors or restored in some manner by the system. The snooped address and transfer attribute inputs are— $\text{A}[0\text{--}31]$ ,  $\text{AP}[0\text{--}3]$ ,  $\text{TT}[0\text{--}4]$ ,  $\overline{\text{TBST}}$ , and  $\overline{\text{GBL}}$ .

The data bus input receivers are normally turned off when no read operation is in progress and do not require pull-up resistors on the data bus.

## 1.8.6 Thermal Management Information

This section provides thermal management data for the 603e and EM603e; the information found in the first sub-sections (Section 1.8.6.1.1, “Thermal Characteristics,” through Section 1.8.6.1.2, “Thermal Management Example”) is based on a typical embedded configuration using a C4FP package. The heatsink used for this data is a pinfin configuration from Thermalloy, part number 2338. The C4FP also uses a flat aluminum plate with dimensions of 24 x 24 mm and 1.5 mm thickness. The data found in the subsequent sub-sections concerns 603e’s and EM603e’s packaged in the 255-lead 21 mm multi-layer ceramic (MLC), CBGA package. Data is shown for two cases, the exposed-die case (no heatsink) and using the Thermalloy 2338-pin fin heatsink.

### 1.8.6.1 C4FP Package

This section provides thermal management data for the 603e and EM603e; this information is based on a typical embedded configuration using a 240 lead, 32 mm x 32 mm, C4FP package. The heatsink used for this data is a pinfin configuration from Thermalloy, part number 2338 and a flat aluminum plate with dimensions of 24 x 24 mm and 1.5 mm thickness.

### 1.8.6.1.1 Thermal Characteristics

The thermal characteristics for a C4FP package are as follows:

Thermal resistance (junction-to-heatsink) =  $R_{\theta_{js}}$  or  $\theta_{js} = 0.03^{\circ}\text{C/Watt}$  (junction-to-heatsink)

### 1.8.6.1.2 Thermal Management Example

The following example is based on a typical embedded configuration using a C4FP package. The heatsink used for this data is a pinfin heatsink #2338 attached to the C4FP package with 2-stage epoxy.

The junction temperature can be calculated from the junction-to-ambient thermal resistance, as follows:

$$\begin{aligned} \text{Junction temperature: } T_j &= T_a + R_{\theta_{ja}} * P \\ &\text{or} \\ T_j &= T_a + (R_{\theta_{js}} + R_{sa}) * P \end{aligned}$$

Where:

$T_a$  is the ambient temperature in the vicinity of the device

$R_{\theta_{ja}}$  is the junction-to-ambient thermal resistance

$R_{\theta_{js}}$  is the junction-to-heatsink thermal resistance (includes thermal grease or thermal adhesive)

$R_{sa}$  is the heatsink-to-ambient thermal resistance

P is the power dissipated by the device

**Note:**  $R_{\theta_{js}}$  includes the resistance of a typical layer of thermal compound. If a lower conductivity material is used, its thermal resistance must be included.

In this environment, it can be assumed that all the heat is dissipated to the ambient through the heatsink, so the junction-to-ambient thermal resistance is the sum of the resistances from the junction to the heatsink and from the heatsink to the ambient.

Note that verification of external thermal resistance and case temperature should be performed for each application. Thermal resistance can vary considerably due to many factors including degree of air turbulence.

Figure 16 provides a thermal management example for the C4FP package.

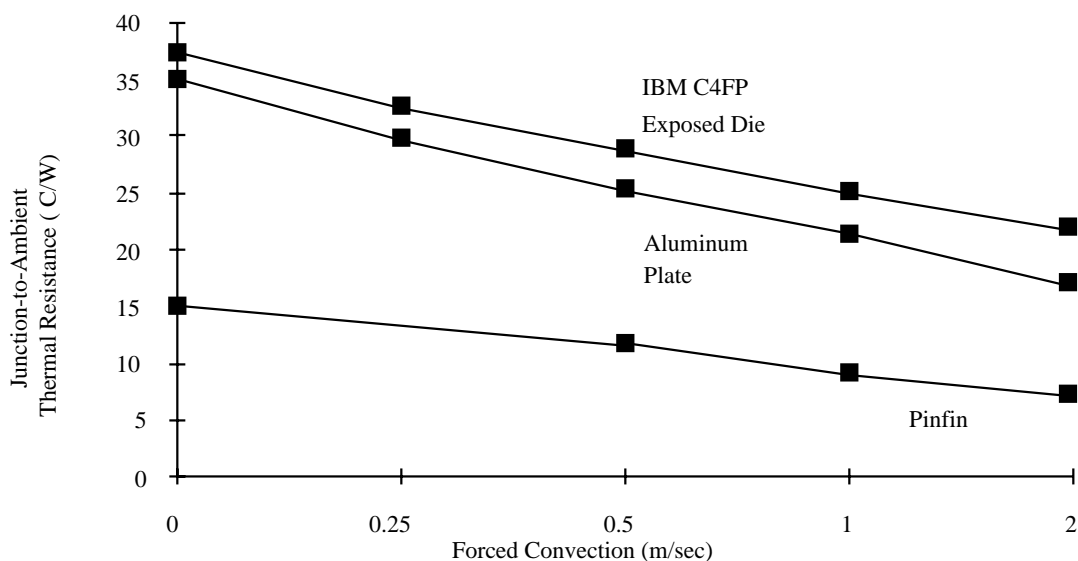


Figure 16. C4FP Thermal Management Example

For a power dissipation of 2.5 Watts in an ambient temperature of 40°C at 1 m/sec with the pinfin heatsink measured above, the junction temperature of the device is well within the reliability limits as follows:

$$T_j = T_a + R_{\theta_{ja}} * P$$

$$T_j = 40^\circ\text{C} + (9.1^\circ\text{C}/\text{Watt} * 2.5 \text{ Watts}) = 63^\circ\text{C}$$

**Notes:**

1. Junction-to-ambient thermal resistance is based on modeling.
2. Junction-to-heatsink thermal resistance is based on measurements and model using thermal test chip and thermal couple which is placed on the base of the heatsink.
3.  $\theta_{ja}$  is not measured for 0.25 m/sec convection for the pinfin.

The vendors who supply heatsinks are Aavid Engineering, Thermalloy, and Wakefield Engineering. Any of these vendors can supply heatsinks with sufficient thermal performance. The following list contains contact information.

The vendors who supply heatsinks are Aavid Engineering, IERC, Thermalloy, and Wakefield Engineering. Contact information for these vendors follows:

|  |   |
|--|---|
| Thermalloy<br>2021 W. Valley View Lane<br>P.O. Box 810839<br>Dallas, TX 75731                      | 972-243-4321<br><a href="http://www.thermalloy.com">http://www.thermalloy.com</a> |
| International Electronic Research Corporation (IERC)<br>135 W. Magnolia Blvd.<br>Burbank, CA 91502 | 818-842-7277  |
| Aavid Engineering<br>One Kool Path<br>Laconic, NH 03247-0440                                       | 603-528-3400<br><a href="http://www.aavid.com">http://www.aavid.com</a>           |
| Wakefield Engineering<br>60 Audubon Rd.<br>Wakefield, MA 01880                                     | 781-406-3000<br><a href="http://www.wakefield.com">www.wakefield.com</a>          |

Any of these vendors can supply heatsinks with sufficient thermal performance.

### 1.8.6.2 CBGA Package

The data found in this section concerns 603e's and EM603e's packaged in the 255-lead 21 mm multi-layer ceramic (MLC), CBGA package. Data is shown for two cases, the exposed-die case (no heatsink) and using the Thermalloy 2338-pin fin heatsink.

#### 1.8.6.2.1 Thermal Characteristics

The internal thermal resistance for this package is negligible due to the exposed die design. A heatsink is attached directly to the silicon die surface only when external thermal enhancement is necessary.

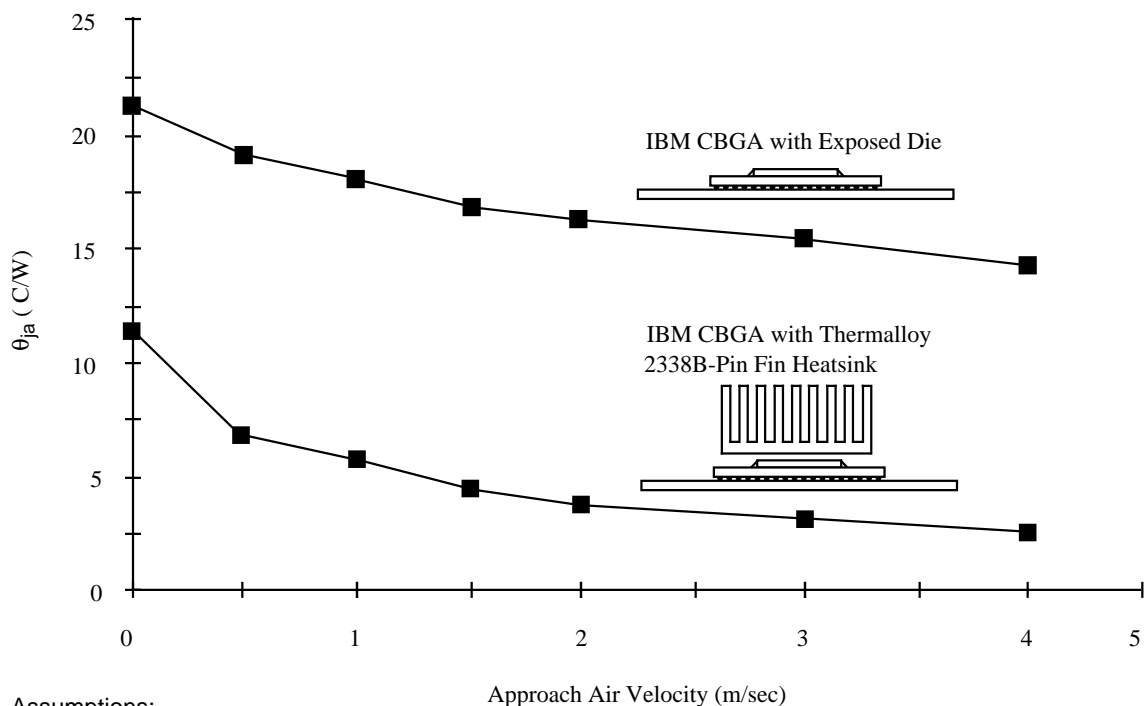
Additionally, the CBGA package offers an exceptional thermal connection to the card and power planes. Heat generated at the chip is dissipated through the package, the heatsink (when used) and the card. The parallel heat flow paths result in the lowest overall thermal resistance as well as offer significantly better power dissipation capability when a heatsink is not used.

### 1.8.6.2.2 Thermal Management Example

The following example is based on a typical embedded configuration using a solder-bump 21 mm CBGA package. The heatsink shown is the Thermalloy pinfin heatsink #2338 attached directly to the exposed die with a two-stage thermally conductive epoxy.

The calculations are performed exactly as shown in the previous section.

Figure 17 shows typical thermal performance data for the 21 mm CBGA package mounted to a test card.



- Assumptions:
1. 2P card with 1 OZ Cu planes
  2. 63 mm x 76 mm card
  3. Air flow on both sides of card
  4. Vertical orientation
  5. 2-stage epoxy heat sink attach

**Figure 17. CBGA Thermal Management Example**

Temperature calculations are also performed identically to those in the previous section. For a power dissipation of 2.5 Watts in an ambient of 40°C at 1.0 m/sec, the associated overall thermal resistance and junction temperature, found in Table 15, will result.

**Table 15. Thermal Resistance and Junction Temperature**

| Configuration             | $\theta_{ja}$ (°C/W) | T <sub>j</sub> (°C) |
|---------------------------|----------------------|---------------------|
| Exposed die (no heatsink) | 18.4                 | 86                  |
| With 2338 heatsink        | 5.3                  | 53                  |

Vendors such as Aavid Engineering Inc., Thermalloy, and Wakefield Engineering can supply heatsinks with a wide range of thermal performance. Refer to Section 1.8.6.1.2, “Thermal Management Example,” for contact information.

### 1.8.6.3 PFP-MHS Performance

The molded heatsink carries heat from the die to the package surface very well (see Table 16). In addition, a heatsink can be attached to further reduce thermal resistance.

**Table 16. Thermal Resistance of PFP240**

| Air Flow (m/sec) | PFP/Embedded Heat Spreader (°C/W) |
|------------------|-----------------------------------|
| 0.0              | 20.2                              |
| 0.3              | 16.3                              |
| 0.5 (100 LFPM)   | 15.0                              |
| 1.0              | 13.5                              |

## 1.9 Ordering Information

This section provides a list of parts for the 603e and EM603e. Note that the individual part numbers correspond to a maximum processor core frequency. For available frequencies, contact your local IBM sales office.

### 1.9.1 IBM Parts

Appendix A Table 17 provides a description of the available parts for the 603e and EM603e.

**Table 17. 603e and EM603e Part Descriptions**

| Product Name | OEMLS Part Number         | CPU Frequency | Package         | Technical Abbreviation | PVR    |
|--------------|---------------------------|---------------|-----------------|------------------------|--------|
| 603e         | IBM25EMPPC<br>603eFE-100  | 100           | 32MM (240) C4FP | PID6                   | 0X0006 |
| 603e         | IBM25EMPPC<br>603eBE-100  | 100           | 21MM CBGA       | PID6                   | 0X0006 |
| 603e         | IBM25EMPPC<br>603eFG-100  | 100           | 32MM (240) C4FP | PID6                   | 0X0006 |
| 603e         | IBM25EMPPC<br>603eBG-100  | 100           | 21MM CBGA       | PID6                   | 0X0006 |
| EM603e       | IBM25EMPPC<br>603ePG-100F | 100           | 240PFP w/MHS    | PID6                   | 0X0006 |
| 603e         | IBM25EMPPC<br>603eBC-166  | 166           | 21MM CBGA       | PID7v                  | 0X0007 |
| EM603e       | IBM25EMPPC<br>603eBC-166F | 166           | 21MM CBGA       | PID7v                  | 0X0007 |
| 603e         | IBM25EMPPC<br>603e2BB200K | 200           | 21MM CBGA       | PID7t                  | 0X0007 |
| EM603e       | IBM25EMPPC<br>603e2BB200F | 200           | 21MM CBGA       | PID7t                  | 0X0007 |

# Appendix A .General Handling Recommendations for the C4FP Package

The following list provides a few guidelines for package handling:

- Handle the electrostatic discharge (ESD) sensitive package with care before, during, and after processing.
- Do not apply any load to exceed 3 Kg after assembly.
- Components should not be hot-dip tinned.
- The package encapsulation is an acrylated urethane. Use adequate ventilation (local exhaust) for all elevated temperature processes.

The package parameters are as follows:

|                       |                          |
|-----------------------|--------------------------|
| Heatsink adhesive     | AIEG-7655                |
| IBM reference drawing | 99F4869                  |
| Test socket           | Yamaichi QFP-PO 0.5-240P |
| Signal                | 165                      |
| Power/ground          | 75                       |
| Total                 | 240                      |

## A.1 Package Environmental, Operation, Shipment, and Storage Requirements

The environmental, operation, shipment, and storage requirements are as follows:

- Make sure that the package is suitable for continuous operation under business office environments.
  - Operating environment: 10°C to 40°C, 8% to 80% relative humidity
  - Storage environment: 1°C to 60°C, up to 80% relative humidity
  - Shipping environment: 40°C to 60°C, 5% to 100% relative humidity
- This component is qualified to meet JEDEC moisture Class 2.  
After expiration of shelf life, packages may be baked at 120°C (+10/–5°C) for 4 hours minimum and then be used or repackaged. Shelf life is as specified by JEDEC for moisture Class 2 components.

## A.2 Card Assembly Recommendations

This section provides recommendations for card assembly process. Follow these guidelines for card assembly.

- This component is supported for aqueous, IR, convection reflow, and vapor phase card assembly processes.
- The temperature of packages should not exceed 220°C for longer than 5 minutes.
- The package entering a cleaning cycle must not be exposed to temperature greater than that occurring during solder reflow or hot air exposure.
- It is not recommended to re-attach a package that is removed after card assembly.

During the card assembly process, no solvent can be used with the C4FP, and no more than 3 Kg of force must be applied normal to the top of the package prior to, during, or after card assembly. Other details of the card assembly process follow:



|                                 |   |
|---------------------------------|---|
| <b>Solder paste</b>             | Either water soluble (for example, Alpha 1208) or no clean  |
| <b>Solder stencil thickness</b> | 0.152 mm  |
| <b>Solder stencil aperture</b>  | Width reduced to 0.03 mm from the board pad width   |
| <b>Placement tool</b>           | Panasonic MPA3 or equivalent  |
| <b>Solder reflow</b>            | Infrared, convection, or vapor phase  |
| <b>Solder reflow profile</b>    | <p>Infrared and/or convection</p> <ul style="list-style-type: none"> <li>• Average ramp-up—0.48 to 1.8°C/second</li> <li>• Time above 183°C—45 to 145 seconds</li> <li>• Minimum lead temperature—200°C</li> <li>• Maximum lead temperature—240°C</li> <li>• Maximum C4FP temperature—245°C</li> </ul> <p>Vapor phase</p> <ul style="list-style-type: none"> <li>• Preheat (board)—60°C to 150°C</li> <li>• Time above 183°C—60 to 145 seconds</li> <li>• Minimum lead temperature—200°C</li> <li>• Maximum C4FP temperature—220°C</li> <li>• Egress temperature—below 150°C</li> </ul>   |
| <b>Clean after reflow</b>       | <p>De-ionized (D.I.) water if water-soluble paste is used</p> <ul style="list-style-type: none"> <li>• Cleaner requirements—conveyorized, in-line</li> <li>• Minimum of four washing chambers <ul style="list-style-type: none"> <li>— Pre-clean chamber: top and bottom sprays, minimum top-side pressure of 25 psig, water temperature of 70°C minimum, dwell time of 24 seconds minimum, water is not re-used, water flow rate of 30 liters/minute.</li> <li>— Wash chamber #1: top and bottom sprays, minimum top-side pressure of 48 psig, minimum bottom-side pressure of 44 psig, water temperature of 62.5°C (2.5°C), dwell time of 48 seconds minimum, water flow rate of 350 liters/minute.</li> <li>— Wash chamber #2: top and bottom sprays, minimum top-side pressure of 32 psig, minimum bottom-side pressure of 28 psig, water temperature of 72.5°C (2.5°C), dwell time of 48 seconds minimum, water flow rate of 325 liters/minute.</li> <li>— Final rinse chamber: top and bottom sprays, minimum top-side pressure of 25 psig, water temperature of 72.5°C minimum, dwell time of 24 seconds minimum, water flow rate of 30 liters/minute.</li> </ul> </li> <li>• No cleaning required if “no clean solder paste” is used</li> </ul> |
| <b>Touch-up and repair</b>      | Water soluble (for example, Kester 450) or No Clean Flux  |
| <b>C4FP removal</b>             | Hot air rework  |
| <b>C4FP replace</b>             | Hand solder   |

Information in this document is provided solely to enable system and software implementers to use PowerPC microprocessors. There are no express or implied copyright or patent licenses granted hereunder by IBM to design, modify the design of, or fabricate circuits based on the information in this document.

The PowerPC 603e microprocessor embodies the intellectual property of IBM. However, IBM assumes no responsibility or liability as to any aspects of the performance, operation, or other attributes of the microprocessor as marketed by the other party or by any third party. IBM is not to be considered an agent or representative of the other, and neither has assumed, created, or granted hereby any right or authority to the other, or to any third party, to assume or create any express or implied obligations on its behalf. Information such as errata sheets and data sheets, as well as sales terms and conditions such as prices, schedules, and support, for the product may vary as between parties selling the product. Accordingly, customers wishing to learn more information about the products as marketed by a given party should contact that party.

IBM reserves the right to modify this document and/or any of the products as described herein without further notice. **NOTHING IN THIS DOCUMENT, NOR IN ANY OF THE ERRATA SHEETS, DATA SHEETS, AND OTHER SUPPORTING DOCUMENTATION, SHALL BE INTERPRETED AS THE CONVEYANCE BY IBM OF AN EXPRESS WARRANTY OF ANY KIND OR IMPLIED WARRANTY, REPRESENTATION, OR GUARANTEE REGARDING THE MERCHANTABILITY OR FITNESS OF THE PRODUCTS FOR ANY PARTICULAR PURPOSE.** IBM assumes no liability or obligation for damages of any kind arising out of the application or use of these materials. Any warranty or other obligations as to the products described herein shall be undertaken solely by the marketing party to the customer, under a separate sale agreement between the marketing party and the customer. In the absence of such an agreement, no liability is assumed by IBM, or the marketing party for any damages, actual or otherwise.

"Typical" parameters can and do vary in different applications. All operating parameters, including "Typicals," must be validated for each customer application by customer's technical experts. IBM conveys no license under its intellectual property rights or the rights of others. IBM makes no claim, warranty, or representation, express or implied, that the products described in this document are designed, intended, or authorized for use as components in systems intended for surgical implant into the body, or other applications intended to support or sustain life, or for any other application in which the failure of the product could create a situation where personal injury or death may occur. Should customer purchase or use the products for any such unintended or unauthorized application, customer shall indemnify and hold IBM and its officers, employees, subsidiaries, affiliates, and distributors harmless against all claims, costs, damages, and expenses, and reasonable attorney's fees arising out of, directly or indirectly, any claim of personal injury or death associated with such unintended or unauthorized use, even if such claim alleges that IBM was negligent regarding the design or manufacture of the part.

IBM, the IBM logo, and IBM Microelectronics are trademarks of International Business Machines Corporation. The PowerPC name, the PowerPC logotype, PowerPC 603, PowerPC 603e, and PowerPC EM603e are trademarks of International Business Machines Corporation. International Business Machines Corporation is an Equal Opportunity/Affirmative Action Employer.

**International Business Machines Corporation:**

IBM Microelectronics Division  
1580 Route 52, Bldg. 504  
Hopewell Junction, NY 12533-6531;

**WWW Addresses:**

<http://www.chips.ibm.com/products/embedded/index.html>  
<http://www.ibm.com>

