

OMAP35x SOM-LV

System on Module

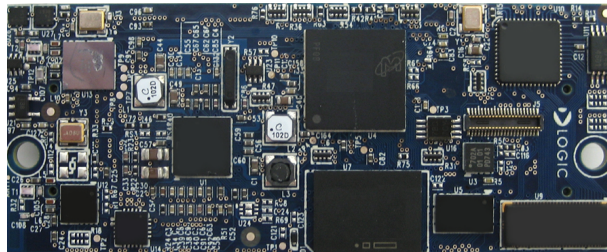
Essential features for handheld and embedded networking applications with optional DSP functionality

The OMAP35x System on Module (SOM) is a compact, product-ready hardware and software solution that fast forwards embedded designs.

Based on the Texas Instruments (TI) OMAP 3 processor family and designed in the SOM-LV Type III form factor, the OMAP35x SOM-LV offers essential features for handheld and embedded networking applications. The OMAP35x SOM-LV features the superset OMAP3530 processor, but also supports the OMAP3503 processor.

The OMAP35x SOM-LV is an off-the-shelf solution that reduces development risks associated with the complex design and manufacturing details of the OMAP 3 processor. The standard SOM-LV form factor allows developers to reuse existing baseboard designs when upgrading to new OMAP processors, which extends roadmap possibilities for end-products.

The OMAP35x SOM-LV is ideal for applications in the medical, point-of-sale, industrial, and security markets.



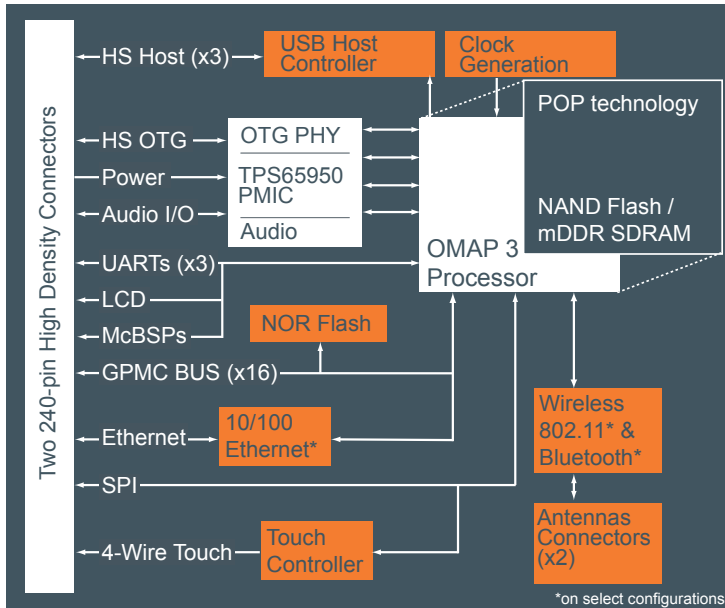
OMAP35x SOM-LV

From patient monitoring and medical imaging, to card payment terminals and bar code readers, to CCTV cameras and intruder alarms, the OMAP35x SOM-LV allows for powerful versatility and long-life products.

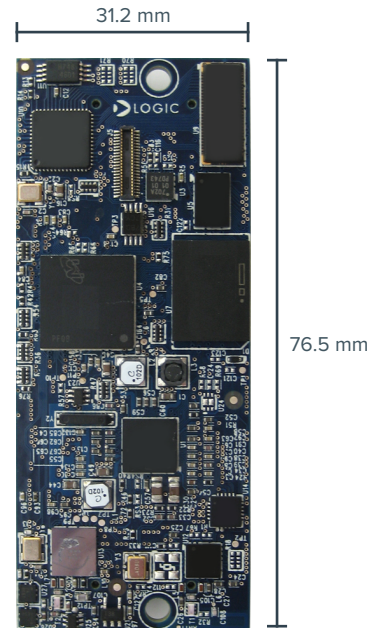
OMAP35x SOM-LV :: HIGHLIGHTS:

- + Product-ready System on Module with a TI OMAP 35x processor running up to 600 MHz
- + TMS320C64x DSP core running up to 430 MHz (OMAP3530 only)
- + Compact form factor—SOM-LV Type III (31.2 x 76.5 x 7.4 mm)
- + Microsoft Windows® Embedded CE 6.0 Board Support Package (BSP)
- + Open source Linux™ BSP
- + Extended temp (-20°C to 70°C)
Industrial temp (-40°C to 85°C)
- + Long product lifecycle
- + RoHS compliant

OMAP35x SOM-LV Block Diagram



(Block diagram is not drawn to scale; for reference purposes only)



TOP VIEW :: ACTUAL SIZE

OMAP35x SOM-LV Ordering Information

Model Number ¹	mDDR (MB)	NAND Flash (MB)	NOR Flash (MB)	10/100 Ethernet	802.11b/g Ethernet	Bluetooth 2.0 + EDR	Temp. (°C)	DSP
SOMOMAP3503-12-1783GFIR ²	256	512	16	Y	N	N	-40°–85°	N
SOMOMAP3530-12-1783IFXR	256	512	16	Y	Y	Y	-20°–70°	Y
SOMOMAP3530-12-1783JFIR	256	512	16	Y	N	Y	-40°–85°	Y

NOTES: 1. Custom configurations are available by special order. Please contact Logic PD Sales for details.
2. Does not include touch controller.



6201 Bury Dr. | Eden Prairie, MN 55346
T : 952.941.8071 F : 952.941.8065 | www.logicpd.com
© 2017 Logic PD, Inc. All rights reserved. PN: 1009584 Rev M

LOGIC PD WEBSITE :: DESIGN RESOURCES:

+ Logic PD Products : www.logicpd.com/products
+ Logic PD Technical Support : support@logicpd.com
+ Logic PD Sales : www.logicpd.com/contact/

Product Features

Processor

- + TI OMAP 3 processor with ARM® Cortex™-A8 core running up to 600 MHz
- + TMS320C64x DSP core running up to 430 MHz (OMAP3530 only)

Memory

- + Mobile DDR / NAND flash (PoP technology) 256 MB / 512 MB

Display

- + Programmable color LCD controller supports up to a 24 bpp TFT interface
- + Hardware supports XGA 1024x768 at 24-bit color

Touchscreen

- + Integrated 4-wire touchscreen controller (TSC2004)

Network Support

- + 10/100 Base-T Ethernet controller
- + 802.11b/g wireless Ethernet
- + Bluetooth 2.0 + EDR

Audio

- + I2S compliant audio codec (16-bit stereo DAC, 13-bit ADC)

PC Card Expansion

- + CompactFlash Type I card (memory-mode only)
- + MMC/SD card support

USB

- + One USB 2.0 high-speed host interface
- + One USB 2.0 high-speed On-the-Go interface

Serial Ports

- + Three external UARTs

GPIO

- + Programmable I/O depending on peripheral requirements

Software

- + LogicLoader™ (bootloader/monitor)
- + Windows® Embedded CE 6.0 BSP
- + Open source Linux™ BSP

Mechanical

- + SOM-LV Type III form factor
- + 31.2 mm wide x 76.5 mm long x 7.4 mm high

RoHS Compliant