

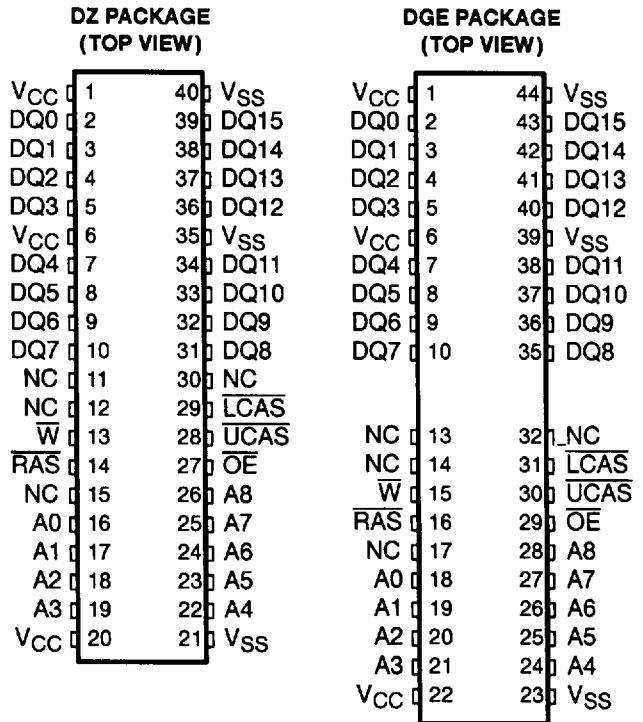
TMS45169, TMS45169P
262 144-WORD BY 16-BIT HIGH-SPEED
DYNAMIC RANDOM-ACCESS MEMORIES

SMHS565A - JULY 1996 - REVISED JANUARY 1997

- Organization . . . 262 144 × 16
- 5-V Supply (±10% Tolerance)
- Performance Ranges:

	ACCESS TIME	ACCESS TIME	ACCESS TIME	READ OR WRITE CYCLE MIN
	t _{RAC} MAX	t _{CAC} MAX	t _{AA} MAX	
'45169/P-50	50 ns	13 ns	25 ns	84 ns
'45169/P-60	60 ns	15 ns	30 ns	110 ns
'45169/P-70	70 ns	20 ns	35 ns	130 ns

- Extended Data Out (EDO) Operation
CAS-Before-RAS (CBR) Refresh
- Long Refresh Period
 - 512-Cycle Refresh in 8 ms (Max)
 - 64 ms Max for Low-Power Version With Self Refresh (TMS45169P)
- 3-State Unlatched Output
- Low Power Dissipation
- Fabricated Using Enhanced Performance Implanted CMOS (EPIC™) Technology by Texas Instruments (TI™)
- All Inputs, Outputs, and Clocks Are TTL Compatible
- High-Reliability, 40-Lead, 400-Mil-Wide Plastic Surface-Mount Small Outline J-Lead (SOJ) Package and 40/44-Lead Thin Small-Outline Package (TSOP)
- Operating Free-Air Temperature Range 0°C to 70°C
- Low Power With Self-Refresh Version
- Upper- and Lower-Byte Control During Read and Write Operations



PIN NOMENCLATURE	
A0-A8	Address Inputs
DQ0-DQ15	Data In/Data Out
LCAS	Lower Column-Address Strobe
UCAS	Upper Column-Address Strobe
NC	No Internal Connection
\overline{OE}	Output Enable
\overline{RAS}	Row-Address Strobe
\overline{W}	Write Enable
V _{CC}	5-V Supply
V _{SS}	Ground

description

The TMS45169 series are high-speed, 4 194 304-bit dynamic random-access memories (DRAMs) organized as 262 144 words of 16 bits each. The TMS45169P series are high-speed, low-power, self-refresh 4 194 304-bit DRAMs organized as 262 144 words of 16 bits each. They employ state-of-the-art EPIC™ technology for high performance, reliability, and low power at low cost.

These devices feature maximum \overline{RAS} access times of 50 ns, 60 ns, and 70 ns. Maximum power dissipation is as low as 880 mW operating and 11 mW standby on 80-ns devices. All inputs and outputs, including clocks, are compatible with Series 74 TTL. All addresses and data-in lines are latched on chip to simplify system design. Data out is unlatched to allow greater system flexibility.



Please be aware that an important notice concerning availability, standard warranty, and use in critical applications of Texas Instruments semiconductor products and disclaimers thereto appears at the end of this data sheet.

EPIC and TI are trademarks of Texas Instruments Incorporated.

PRODUCTION DATA Information is current as of publication date. Products conform to specifications per the terms of Texas Instruments standard warranty. Production processing does not necessarily include testing of all parameters.

Copyright © 1997, Texas Instruments Incorporated



■ 8961725 0086733 1T5 ■

TMS45169, TMS45169P

262144-WORD BY 16-BIT HIGH-SPEED DYNAMIC RANDOM-ACCESS MEMORIES

SMHS565A - JULY 1996 - REVISED JANUARY 1997

description (continued)

The TMS45169 and TMS45169P each are offered in a 40-lead plastic surface-mount SOJ package (DZ suffix) and a 40/44-lead plastic surface-mount TSOP (DGE suffix). These packages are characterized for operation from 0°C to 70°C.

operation

dual $\overline{\text{CAS}}$

Two $\overline{\text{CAS}}$ pins ($\overline{\text{LCAS}}$ and $\overline{\text{UCAS}}$) are provided to give independent control of the 16 data I/O pins (DQ0–DQ15) with $\overline{\text{LCAS}}$ corresponding to DQ0–DQ7 and $\overline{\text{UCAS}}$ corresponding to DQ8–DQ15. For read or write cycles, the column address is latched on the first $\overline{\text{xCAS}}$ falling edge. Each $\overline{\text{xCAS}}$ going low enables its corresponding DQx pins with data associated with the column address latched on the first falling $\overline{\text{xCAS}}$ edge. All address setup and hold parameters are referenced to the first falling $\overline{\text{xCAS}}$ edge. The delay time from $\overline{\text{xCAS}}$ low to valid data out (see parameter t_{CAC}) is measured from each individual $\overline{\text{xCAS}}$ to its corresponding DQx pins.

In order to latch in a new column address, both $\overline{\text{xCAS}}$ pins must be brought high. The column precharge time (see parameter t_{CP}) is measured from the last $\overline{\text{xCAS}}$ rising edge to the first falling $\overline{\text{xCAS}}$ edge of the new cycle. Keeping a column address valid while toggling $\overline{\text{xCAS}}$ requires a minimum setup time, t_{CLCH} . During t_{CLCH} , at least one $\overline{\text{xCAS}}$ must be brought low before the other $\overline{\text{xCAS}}$ is taken high.

For early-write cycles, the data is latched on the first falling edge of $\overline{\text{xCAS}}$. Only the DQs that have the corresponding $\overline{\text{xCAS}}$ low are written into. Each $\overline{\text{xCAS}}$ must meet t_{CAS} minimum in order to ensure writing into the storage cell. In order to latch a new address and new data, both $\overline{\text{xCAS}}$ pins must go high and meet t_{CP} .

extended data out

Extended data out allows for data output rates of up to 40 MHz for 60-ns devices. By keeping the same row address while selecting random column addresses, the time for row-address setup and hold and address multiplex is eliminated. The maximum number of columns that can be accessed is determined by t_{RASP} , the maximum $\overline{\text{RAS}}$ low time.

Extended data out does not place the DQs into the high-impedance state with the rising edge of $\overline{\text{xCAS}}$. The output remains valid for the system to latch the data. After $\overline{\text{xCAS}}$ goes high, the DRAM decodes the next address. $\overline{\text{OE}}$ and $\overline{\text{W}}$ can be used to control the output impedance. Descriptions of $\overline{\text{OE}}$ and $\overline{\text{W}}$ further explain EDO operation benefit.

address (A0–A8)

Eighteen address bits are required to decode each of the 262 144 storage-cell locations. Nine row-address bits are set up on A0 through A8 and latched onto the chip by $\overline{\text{RAS}}$. Then, nine column-address bits are set up on A0 through A8 and latched onto the chip by the first $\overline{\text{xCAS}}$. All addresses must be stable on or before the falling edge of $\overline{\text{RAS}}$ and $\overline{\text{xCAS}}$. $\overline{\text{RAS}}$ is similar to a chip enable in that it activates the sense amplifiers as well as the row decoder. $\overline{\text{xCAS}}$ is used as a chip select, activating its corresponding output buffer and latching the address bits into the column-address buffers.

write enable ($\overline{\text{W}}$)

The read or write mode is selected through $\overline{\text{W}}$. A logic high on $\overline{\text{W}}$ selects the read mode and a logic low selects the write mode. $\overline{\text{W}}$ can be driven from the standard TTL circuits without a pullup resistor. The data input lines are disabled when the read mode is selected. When $\overline{\text{W}}$ goes low prior to $\overline{\text{xCAS}}$ (early write), data out remains in the high-impedance state for the entire cycle, permitting a write operation with $\overline{\text{OE}}$ grounded. If $\overline{\text{W}}$ goes low in an extended-data-out read cycle, the DQs are disabled so long as $\overline{\text{xCAS}}$ is high (see Figure 9).

8961725 0086734 031



POST OFFICE BOX 1443 • HOUSTON, TEXAS 77251-1443

data in (DQ0–DQ15)

Data is written during a write or read-modify-write cycle. Depending on the mode of operation, the falling edge of \overline{xCAS} or \overline{W} strobes data into the on-chip data latch. In an early-write cycle, \overline{W} is brought low prior to \overline{xCAS} and the data is strobed in by the first occurring \overline{xCAS} with setup and hold times referenced to data in. In a delayed-write or read-modify-write cycle, \overline{xCAS} is already low and the data is strobed in by \overline{W} with setup and hold times referenced to data in. In a delayed-write or read-modify-write cycle, \overline{OE} must be high to bring the output buffers to the high-impedance state prior to impressing data on the I/O lines. The DQs drive valid data after all access times are met and remain valid except in the case described in the \overline{W} and \overline{OE} sections.

data out (DQ0–DQ15)

The 3-state output buffer provides direct TTL compatibility (no pullup resistor required) with a fanout of two Series 74 TTL loads. Data out is the same polarity as data in. The output is in the high-impedance (floating) state until \overline{xCAS} and \overline{OE} are brought low. In a read cycle, the output becomes valid after the access-time interval t_{CAC} (which begins with the negative transition of \overline{xCAS}) as long as t_{RAC} and t_{AA} are satisfied. The DQs drive valid data after all access times are met and remain valid except in the case described in the \overline{W} and \overline{OE} sections.

output enable (\overline{OE})

\overline{OE} controls the impedance of the output buffers. While \overline{xCAS} and \overline{RAS} are low and \overline{W} is high, \overline{OE} can be brought low or high and the DQs transition between valid data and high impedance (see Figure 8). There are two methods for placing the DQs into the high-impedance state and keeping them that way during \overline{xCAS} high time. The first method is to transition \overline{OE} high before \overline{xCAS} transitions high and keep \overline{OE} high for t_{CHO} past the \overline{xCAS} transition. This disables the DQs and they remain disabled, regardless of \overline{OE} , until \overline{xCAS} falls again. The second method is to have \overline{OE} low as \overline{xCAS} transitions high. Then \overline{OE} can pulse high for a minimum of t_{OEP} anytime during \overline{xCAS} high time; therefore, disabling the DQs regardless of further transitions on \overline{OE} until \overline{xCAS} falls again.

\overline{RAS} -only refresh

A refresh operation must be performed at least once every 8 ms (64 ms for TMS45169P) to retain data. This can be achieved by strobing each of the 512 rows (A0–A8). A normal read or write cycle refreshes all bits in each row that is selected. A \overline{RAS} -only operation can be used by holding all \overline{xCAS} at the high (inactive) level, conserving power as the output buffers remain in the high-impedance state. Externally generated addresses must be used for a \overline{RAS} -only refresh.

hidden refresh

Hidden refresh can be performed while maintaining valid data at the output pin. This is accomplished by holding \overline{xCAS} at V_{IL} after a read operation and cycling \overline{RAS} after a specified precharge period, similar to a \overline{RAS} -only refresh cycle. The external address is ignored and the refresh address is generated internally.

\overline{xCAS} -before- \overline{RAS} refresh

\overline{xCAS} -before- \overline{RAS} refresh is utilized by bringing at least one \overline{xCAS} low earlier than \overline{RAS} (see parameter t_{CSR}) and holding it low after \overline{RAS} falls (see parameter t_{CHR}). For successive \overline{xCAS} -before- \overline{RAS} refresh cycles, \overline{xCAS} can remain low while cycling \overline{RAS} . The external address is ignored and the refresh address is generated internally.

A low-power battery-backup refresh mode that requires less than 500- μ A refresh current is available on the TMS45169P. Data integrity is maintained using \overline{xCAS} -before- \overline{RAS} refresh with a period of 125 μ s holding \overline{RAS} low for less than 1 μ s. To minimize current consumption, all input levels must be at CMOS levels ($V_{IL} \leq 0.2$ V, $V_{IH} \geq V_{CC} - 0.2$ V).

8961725 0086735 T78



TMS45169, TMS45169P 262144-WORD BY 16-BIT HIGH-SPEED DYNAMIC RANDOM-ACCESS MEMORIES

SMHS565A - JULY 1996 - REVISED JANUARY 1997

self refresh (TMS45169P)

The self-refresh mode is entered by dropping \overline{xCAS} low prior to \overline{RAS} going low. Then \overline{xCAS} and \overline{RAS} are both held low for a minimum of 100 μs . The chip is refreshed internally by an on-board oscillator. No external address is required since the CBR counter is used to keep track of the address. To exit the self-refresh mode, both \overline{RAS} and \overline{xCAS} are brought high to satisfy t_{CHS} . Upon exiting the self-refresh mode, a burst refresh (refresh a full set of row addresses) must be executed before continuing with normal operation. This ensures that the DRAM is refreshed fully.

power up

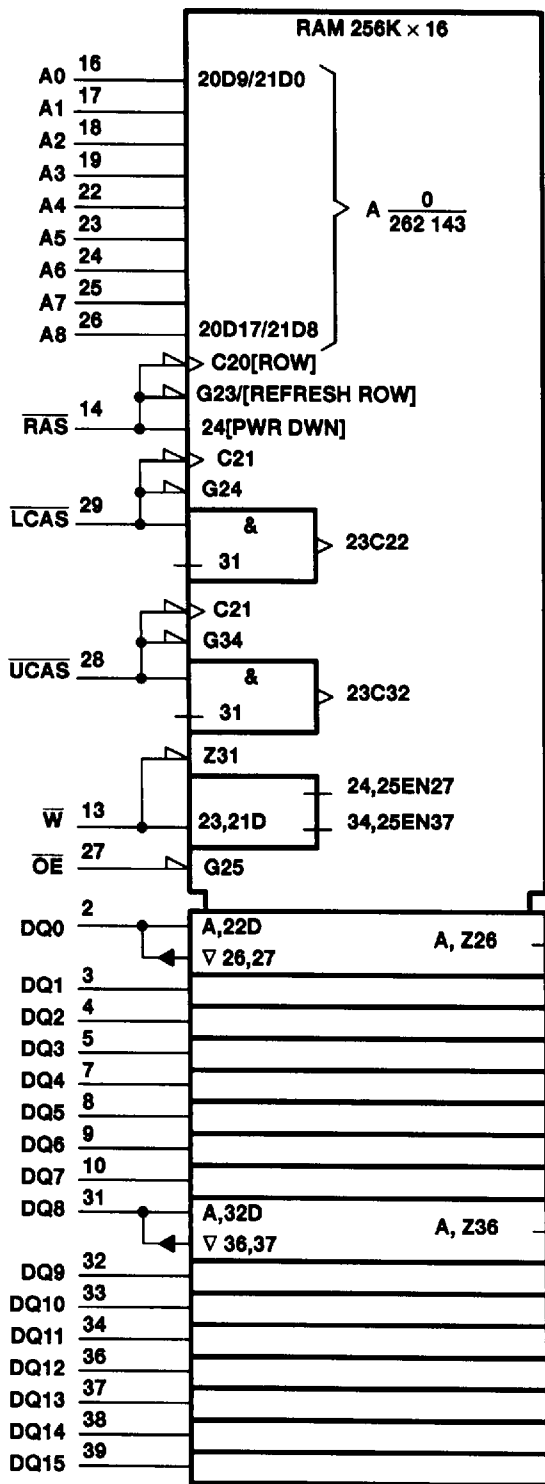
To achieve proper device operation, an initial pause of 200 μs followed by a minimum of eight \overline{RAS} cycles is required after power up to the full V_{CC} level. These eight initialization cycles must include at least one refresh (\overline{RAS} -only or \overline{xCAS} -before- \overline{RAS}) cycle.

8961725 0086736 904



POST OFFICE BOX 1443 • HOUSTON, TEXAS 77251-1443

logic symbol†



† This symbol is in accordance with ANSI/IEEE Std 91-1984 and IEC Publication 617-12.
 The pin numbers shown are for the DZ package.

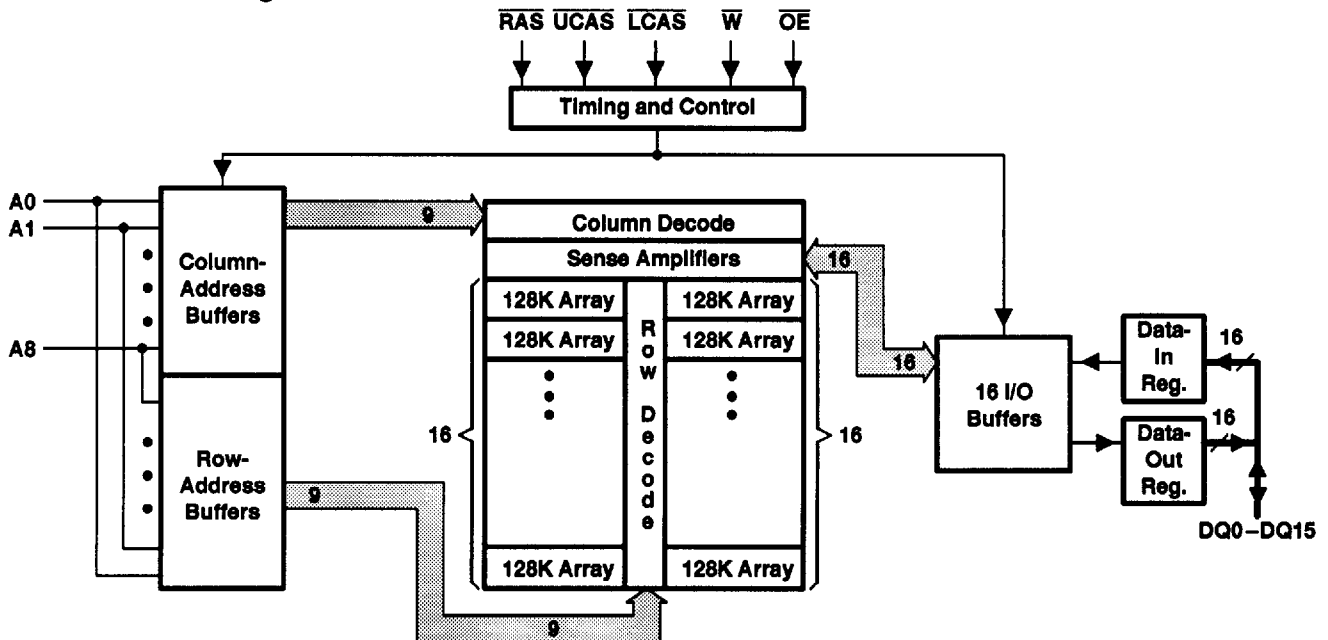
8961725 0086737 840



TMS45169, TMS45169P
262144-WORD BY 16-BIT HIGH-SPEED
DYNAMIC RANDOM-ACCESS MEMORIES

SMHS565A - JULY 1996 - REVISED JANUARY 1997

functional block diagram



absolute maximum ratings over operating free-air temperature range (unless otherwise noted)†

Supply voltage range, V_{CC}	- 1 V to 7 V
Voltage range on any pin (see Note 1)	- 1 V to 7 V
Short-circuit output current	50 mA
Power dissipation	1 W
Operating free-air temperature range, T_A	0°C to 70°C
Storage temperature range, T_{stg}	- 55°C to 150°C

† Stresses beyond those listed under "absolute maximum ratings" may cause permanent damage to the device. These are stress ratings only, and functional operation of the device at these or any other conditions beyond those indicated under "recommended operating conditions" is not implied. Exposure to absolute-maximum-rated conditions for extended periods may affect device reliability.

NOTE 1: All voltage values are with respect to V_{SS} .

recommended operating conditions

	MIN	NOM	MAX	UNIT
V_{CC} Supply voltage	4.5	5	5.5	V
V_{SS} Supply voltage		0		V
V_{IH} High-level input voltage	2.4		6.5	V
V_{IL} Low-level input voltage (see Note 2)	- 1		0.8	V
T_A Operating free-air temperature	0		70	°C

NOTE 2: The algebraic convention, where the more negative (less positive) limit is designated as minimum, is used for logic voltage levels only.

8961725 0086738 787



POST OFFICE BOX 1443 • HOUSTON, TEXAS 77251-1443

electrical characteristics over recommended ranges of supply voltage and operating free-air temperature (unless otherwise noted)

PARAMETER	TEST CONDITIONS	'45169-50 '45169P-50		'45169-60 '45169P-60		'45169-70 '45169P-70		UNIT
		MIN	MAX	MIN	MAX	MIN	MAX	
V _{OH}	High-level output voltage I _{OH} = -5 mA	2.0		2.4		2.4		V
V _{OL}	Low-level output voltage I _{OL} = 4.2 mA	0.8		0.4		0.4		V
I _I	Input current (leakage) V _{CC} = 5.5 V, V _I = 0 V to 6.5 V, All others = 0 V to V _{CC}	± 10		± 10		± 10		μA
I _O	Output current (leakage) V _{CC} = 5.5 V, V _O = 0 V to V _{CC} , CAS high	± 10		± 10		± 10		μA
I _{CC1} †‡	Read- or write-cycle current V _{CC} = 5.5 V, Minimum cycle	190		180		160		mA
I _{CC2}	Standby current V _{IH} = 2.4 V (TTL), After one memory cycle, RAS and xCAS high			2		2		mA
			'45169	1		1		mA
			'45169P	350		350		μA
I _{CC3} §	Average refresh current (RAS-only refresh or CBR) V _{CC} = 5.5 V, Minimum cycle, (RAS-only), RAS cycling, xCAS high (CBR only), RAS low after xCAS low	190		180		160		mA
I _{CC4} †‡	Average EDO page current V _{CC} = 5.5 V, t _{HPC} = MIN, RAS low, xCAS cycling	160		160		140		mA
I _{CC5} ¶	Battery-backup operating current (equivalent refresh time is 64 ms); CBR only t _{RC} = 125 μs, t _{RAS} ≤ 1 μs, V _{CC} - 0.2 V ≤ V _{IH} ≤ 6.5 V, 0 V ≤ V _{IL} ≤ 0.2 V, \overline{W} and \overline{OE} = V _{IH} , Address and data stable	500		500		500		μA
I _{CC6} †¶	Self-refresh current \overline{xCAS} < 0.2 V, \overline{RAS} < 0.2 V, t _{RAS} and t _{CAS} > 1000 ms	400		400		400		μA

† Measured with outputs open

‡ Measured with a maximum of one address change while \overline{xCAS} = V_{IH}

§ Measured with a maximum of one address change while \overline{RAS} = V_{IL}

¶ For TMS45169P only

capacitance over recommended ranges of supply voltage and operating free-air temperature, f = 1 MHz# (see Note 3)

PARAMETER		MIN	MAX	UNIT
C _{i(A)}	Input capacitance, A0–A8		5	pF
C _{i(OE)}	Input capacitance, \overline{OE}		7	pF
C _{i(RC)}	Input capacitance, \overline{xCAS} and \overline{RAS}		7	pF
C _{i(W)}	Input capacitance, \overline{W}		7	pF
C _o	Output capacitance		7	pF

Capacitance measurements are made on a sample basis only.

NOTE 3: V_{CC} = 5 V ± 0.5 V, and the bias on pins under test is 0 V.

8961725 0086739 613



TMS45169, TMS45169P
262144-WORD BY 16-BIT HIGH-SPEED
DYNAMIC RANDOM-ACCESS MEMORIES

SMHS565A - JULY 1996 - REVISED JANUARY 1997

switching characteristics over recommended ranges of supply voltage and operating free-air temperature

PARAMETER	'45169-50 '45169P-50		'45169-60 '45169P-60		'45169-70 '45169P-70		UNIT
	MIN	MAX	MIN	MAX	MIN	MAX	
	t _{CAC} Access time from \overline{xCAS} low		13		15		
t _{AA} Access time from column address		25		30		35	ns
t _{RAC} Access time from \overline{RAS} low (see Note 5)		50		60		70	ns
t _{OEA} Access time from \overline{OE} low		13		15		20	ns
t _{CPA} Access time from column precharge		28		35		40	ns
t _{CLZ} Delay time, \overline{xCAS} low to output in low impedance	0		0		0		ns
t _{OEZ} Output disable time after \overline{OE} high (see Note 4)	3	13	3	15	3	20	ns
t _{REZ} Output disable time after \overline{RAS} high	3	13	3	15	3	20	ns
t _{CEZ} Output disable time after \overline{xCAS} high	3	13	3	15	3	20	ns
t _{WEZ} Output disable time after \overline{W} low	3	13	3	15	3	20	ns

NOTES: 4. Maximum t_{REZ}, t_{CEZ}, t_{WEZ}, and t_{OEZ} are specified when the outputs are no longer driven.
5. 50 ns specifications are measured with C_L = 50 pF, V_{OL} = 0.8 V, and V_{OH} = 2.0 V

EDO timing requirements over recommended ranges of supply voltage and operating free-air temperature

	'45169-50 '45169P-50		'45169-60 '45169P-60		'45169-70 '45169P-70		UNIT
	MIN	MAX	MIN	MAX	MIN	MAX	
	t _{HPC} Cycle time, EDO page-mode read or write	20		25		30	
t _{CSH} Hold time, \overline{xCAS} from \overline{RAS}	40		50		55		ns
t _{CHO} Hold time, \overline{OE} after \overline{xCAS}	8		10		10		ns
t _{DOH} Hold time, output from \overline{xCAS}	3		3		3		ns
t _{CAS} Pulse duration, \overline{xCAS}	8	10000	10	10000	12	10000	ns
t _{WPE} Pulse duration, \overline{W} (output disable only)	5		5		5		ns
t _{OCH} Setup time, \overline{OE} before \overline{xCAS}	8		10		10		ns
t _{CP} Precharge time, \overline{xCAS}	8		5		5		ns
t _{OEP} Precharge time, \overline{OE}	5		5		5		ns

8961725 0086740 335



POST OFFICE BOX 1443 • HOUSTON, TEXAS 77251-1443

timing requirements over recommended ranges of supply voltage and operating free-air temperature (see Note 6)

	'45169-50 '45169P-50		'45169-60 '45169P-60		'45169-70 '45169P-70		UNIT
	MIN	MAX	MIN	MAX	MIN	MAX	
t _{RC} Cycle time, random read or write (see Note 7)	84		110		130		ns
t _{WC} Cycle time, write	84		110		130		ns
t _{RWC} Cycle time, read-write/read-modify-write	111		150		180		ns
t _{PRWC} Cycle time, EDO page-mode read-write	57		80		85		ns
t _{RASP} Pulse duration, \overline{RAS} low, page mode (see Note 8)	50	100 000	60	100 000	70	100 000	ns
t _{RAS} Pulse duration, \overline{RAS} low, nonpage mode (see Note 8)	50	10 000	60	10 000	70	10 000	ns
t _{CAS} Pulse duration, \overline{xCAS} low (see Note 9)	8	10 000	10	10 000	15	10 000	ns
t _{RP} Pulse duration, \overline{RAS} high (precharge)	30		40		50		ns
t _{WP} Pulse duration, write	8		10		10		ns
t _{ASC} Setup time, column address before \overline{xCAS} low	0		0		0		ns
t _{ASR} Setup time, row address before \overline{RAS} low	0		0		0		ns
t _{DS} Setup time, data before \overline{W} low (see Note 10)	0		0		0		ns
t _{RCS} Setup time, read before \overline{xCAS} low	0		0		0		ns
t _{CWL} Setup time, \overline{W} low before \overline{xCAS} high	8		10		15		ns
t _{RWL} Setup time, \overline{W} low before \overline{RAS} high	8		10		15		ns
t _{WCS} Setup time, \overline{W} low before \overline{xCAS} low (see Note 11)	0		0		0		ns
t _{WSR} Setup time, \overline{W} high (CBR refresh only)	10		10		10		ns
t _{WHR} Hold time, \overline{W} high (CBR refresh only)	10		10		10		ns

- NOTES: 6. Timing measurements are referenced to V_{IL} MAX and V_{IH} MIN.
 7. 50 ns specifications assume t_T = 2 ns; 60 and 70 ns assume t_T = 5 ns
 8. In a read-modify-write cycle, t_{RWD} and t_{RWL} must be observed.
 9. In a read-modify-write cycle, t_{CWD} and t_{CWL} must be observed.
 10. Referenced to the later of \overline{xCAS} or \overline{W} in write operations
 11. Early-write operation only

8961725 0086741 271



TMS45169, TMS45169P
262144-WORD BY 16-BIT HIGH-SPEED
DYNAMIC RANDOM-ACCESS MEMORIES

SMHS565A – JULY 1996 – REVISED JANUARY 1997

timing requirements over recommended ranges of supply voltage and operating free-air temperature (continued) (see Note 6)

		'45169-50		'45169-60		'45169-70		UNIT
		'45169P-50		'45169P-60		'45169P-70		
		MIN	MAX	MIN	MAX	MIN	MAX	
t _{CAH}	Hold time, column address after \overline{xCAS} low (see Note 10)	8		10		15		ns
t _{DH}	Hold time, data after \overline{xCAS} low (see Note 10)	8		10		15		ns
t _{RAH}	Hold time, row address after \overline{RAS} low	8		10		10		ns
t _{RCH}	Hold time, read after \overline{xCAS} high (see Note 13)	0		0		0		ns
t _{RRH}	Hold time, read after \overline{RAS} high (see Note 13)	0		0		0		ns
t _{WCH}	Hold time, write after \overline{xCAS} low (see Note 13)	8		10		15		ns
t _{CLCH}	Hold time, \overline{xCAS} low to \overline{xCAS} high	5		5		5		ns
t _{ROH}	Hold time, \overline{RAS} referenced to \overline{OE}	8		10		10		ns
t _{CHS}	Hold time, \overline{xCAS} low after \overline{RAS} high (for self refresh)	-50		-50		-50		ns
t _{OEH}	Hold time, \overline{OE} command	10		15		20		ns
t _{AWD}	Delay time, column address to \overline{W} low (see Note 14)	45		55		65		ns
t _{CHR}	Delay time, \overline{RAS} low to \overline{xCAS} high (see Note 12)	8		15		15		ns
t _{CRP}	Delay time, \overline{xCAS} high to \overline{RAS} low	0		0		0		ns
t _{CSR}	Delay time, \overline{xCAS} low to \overline{RAS} low (see Note 12)	5		5		5		ns
t _{CWD}	Delay time, \overline{xCAS} low to \overline{W} low (see Note 14)	30		40		50		ns
t _{OED}	Delay time, valid data in after \overline{OE} high	13		15		20		ns
t _{RAD}	Delay time, \overline{RAS} low to column address (see Note 15)	13	25	15	30	15	35	ns
t _{RAL}	Delay time, column address to \overline{RAS} high	25		30		35		ns
t _{CAL}	Delay time, column address to \overline{xCAS} high	25		20		25		ns
t _{RCD}	Delay time, \overline{RAS} low to \overline{xCAS} low (see Note 15)	18	35	20	45	20	50	ns
t _{RPC}	Delay time, \overline{RAS} high to \overline{xCAS} low	0		0		0		ns
t _{RSH}	Delay time, \overline{xCAS} low to \overline{RAS} high	8		10		15		ns
t _{RWD}	Delay time, \overline{RAS} low to \overline{W} low (see Note 14)	67		85		100		ns
t _{CPW}	Delay time, \overline{W} low after \overline{xCAS} precharge (read-write only)	45		54		64		min
t _{CPR}	Pulse duration, \overline{xCAS} precharge before self refresh	0		0		0		ns
t _{RPS}	Pulse duration, \overline{RAS} precharge after self refresh	84		110		130		ns
t _{RASS}	Pulse duration, self refresh entry from \overline{RAS} low	100		100		100		μ s
t _{REF}	Refresh time interval	'45169		8		8		ms
		'45169P		64		64		
t _T	Transition time	2	50	2	50	2	50	ns

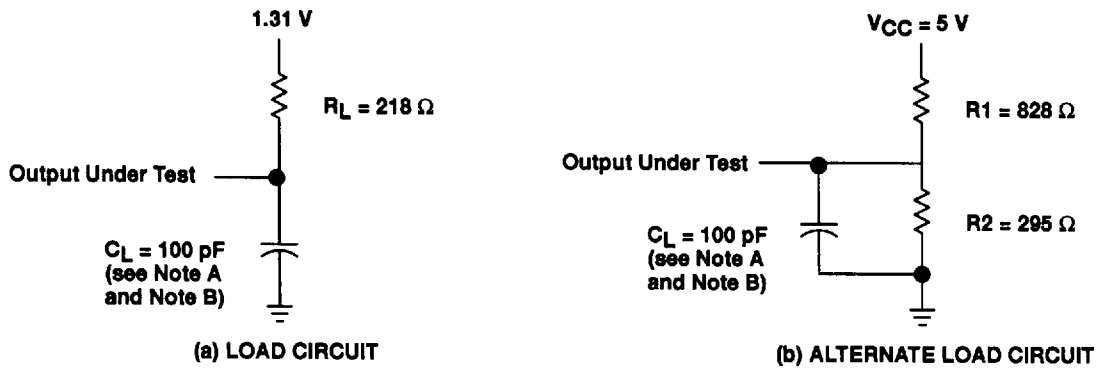
- NOTES: 6. Timing measurements are referenced to V_{IL} MAX and V_{IH} MIN.
10. Referenced to the later of \overline{xCAS} or \overline{W} in write operations
12. CBR refresh only
13. Either t_{RRH} or t_{RCH} must be satisfied for a read cycle.
14. Read-modify-write operation only
15. Maximum value specified only to assure access time

8961725 0086742 108



POST OFFICE BOX 1443 • HOUSTON, TEXAS 77251-1443

PARAMETER MEASUREMENT INFORMATION



NOTES: A. C_L includes probe and fixture capacitance.
B. 50 ns specifications are measured with $C_L = 50 \text{ pF}$

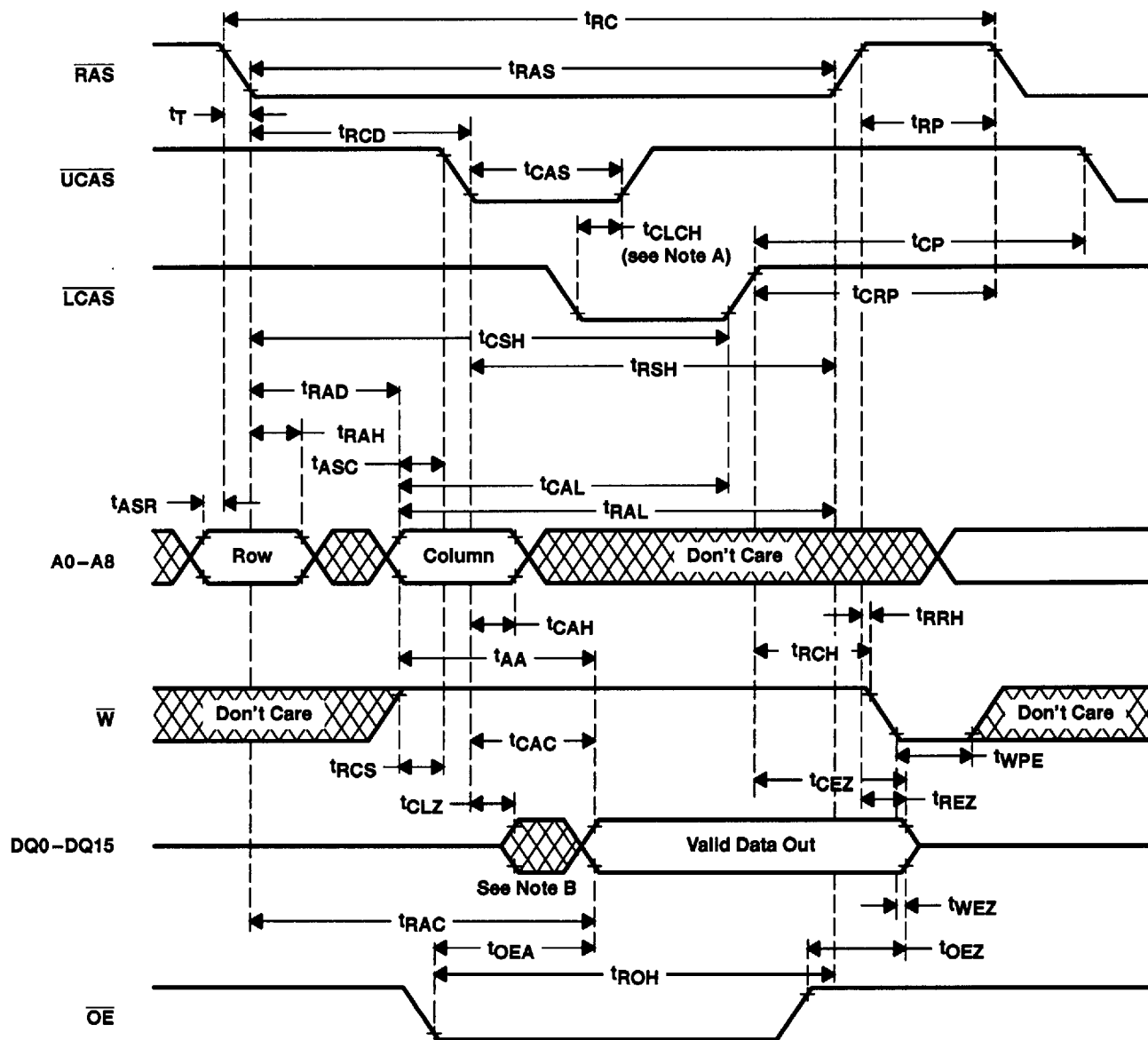
Figure 1. Load Circuits for Timing Parameters

8961725 0086743 044

TMS45169, TMS45169P
262144-WORD BY 16-BIT HIGH-SPEED
DYNAMIC RANDOM-ACCESS MEMORIES

SMHS565A - JULY 1996 - REVISED JANUARY 1997

PARAMETER MEASUREMENT INFORMATION



- NOTES: A. To hold the address latched by the first $\overline{x}CAS$ going low, the parameter t_{CLCH} must be met.
 B. Output can go from the high-impedance state to an invalid-data state prior to the specified access time.
 C. t_{CAC} is measured from $\overline{x}CAS$ to its corresponding DQx.
 D. $\overline{x}CAS$ order is arbitrary.

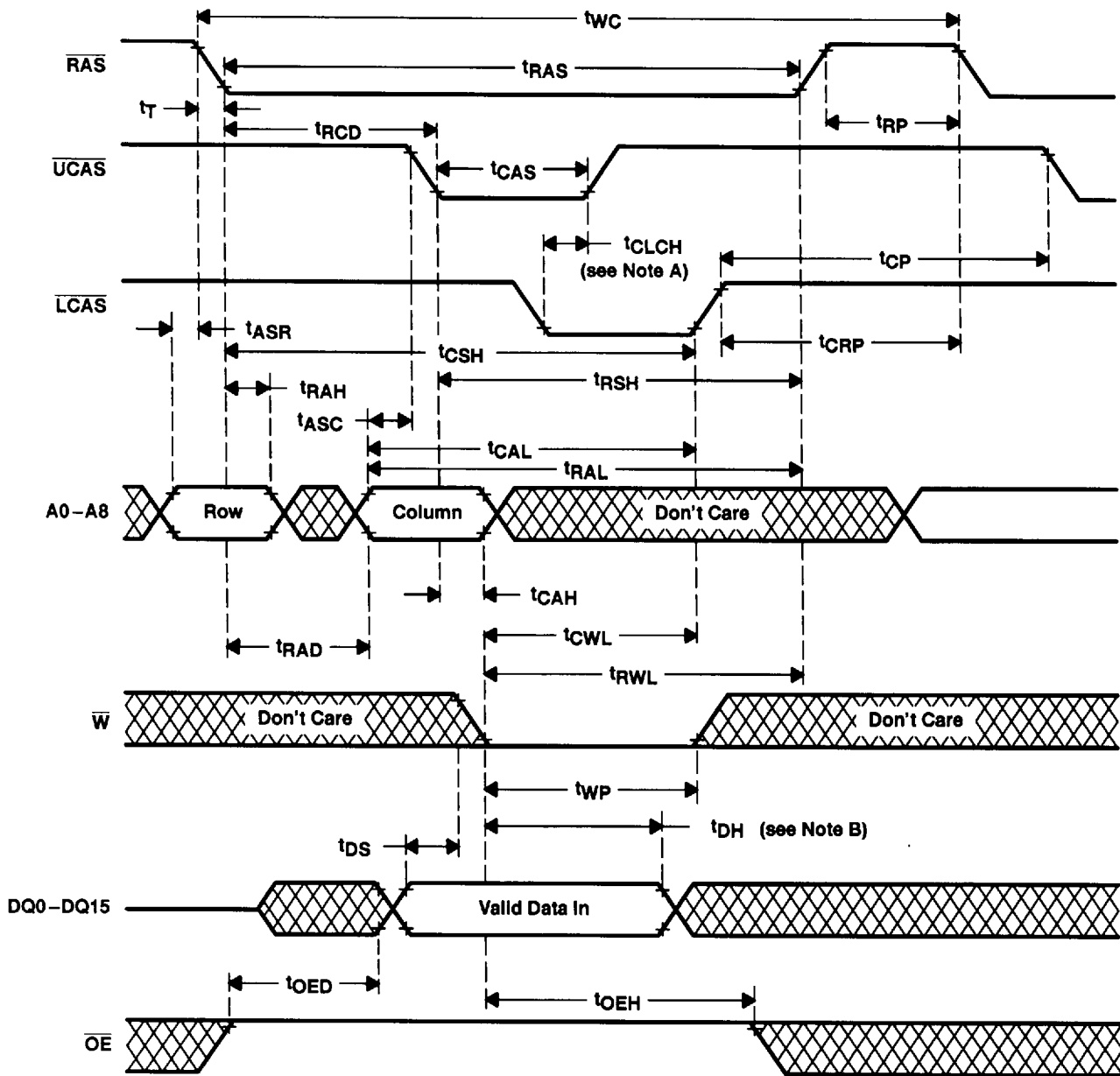
Figure 2. Read-Cycle Timing

8961725 0086744 T80



POST OFFICE BOX 1443 • HOUSTON, TEXAS 77251-1443

PARAMETER MEASUREMENT INFORMATION



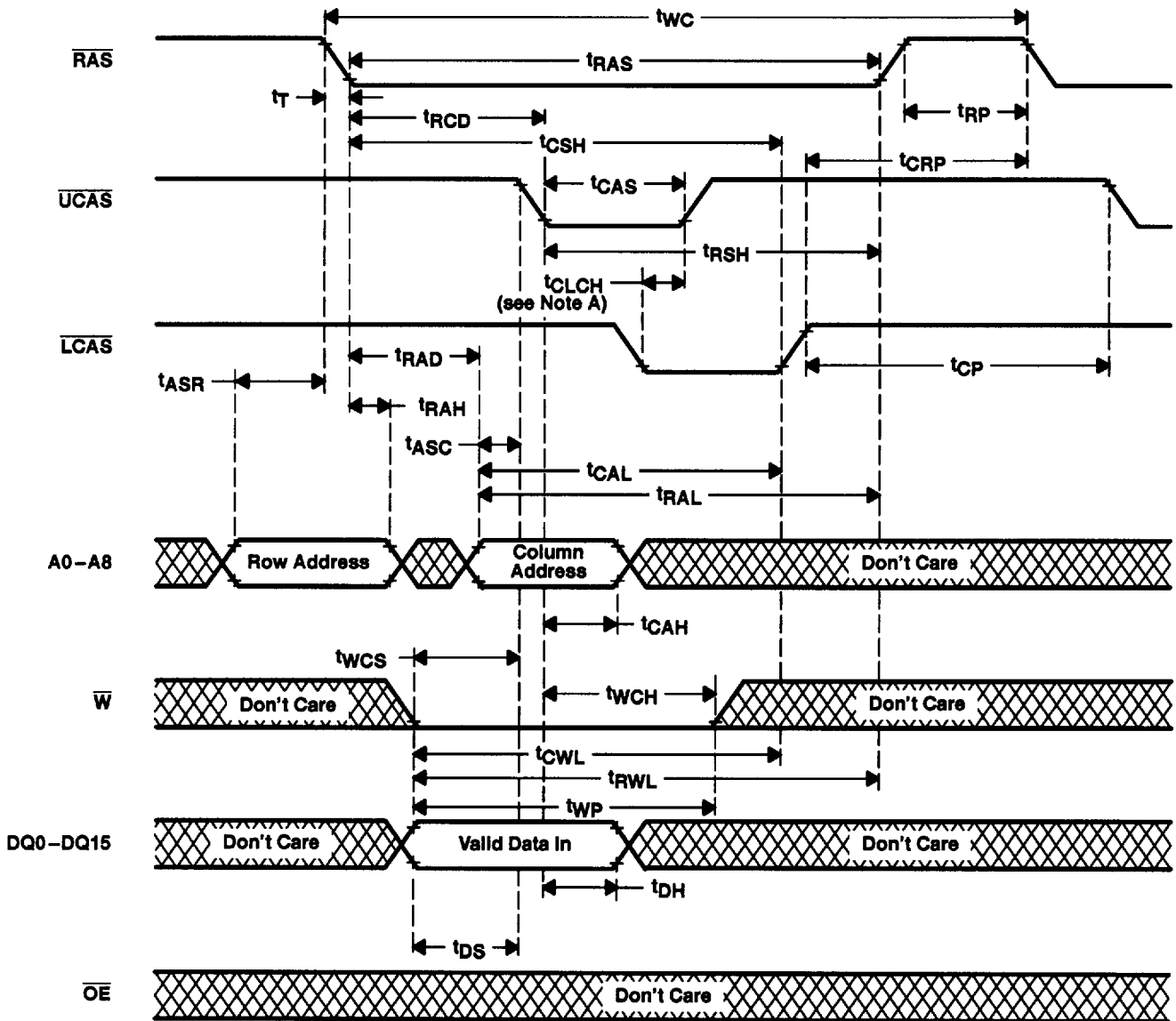
- NOTES: A. To hold the address latched by the first \overline{xCAS} going low, the parameter t_{CLCH} must be met.
 B. Later of \overline{xCAS} or \overline{W} in write operations
 C. \overline{xCAS} order is arbitrary.

Figure 3. Write-Cycle Timing

8961725 0086745 917



PARAMETER MEASUREMENT INFORMATION



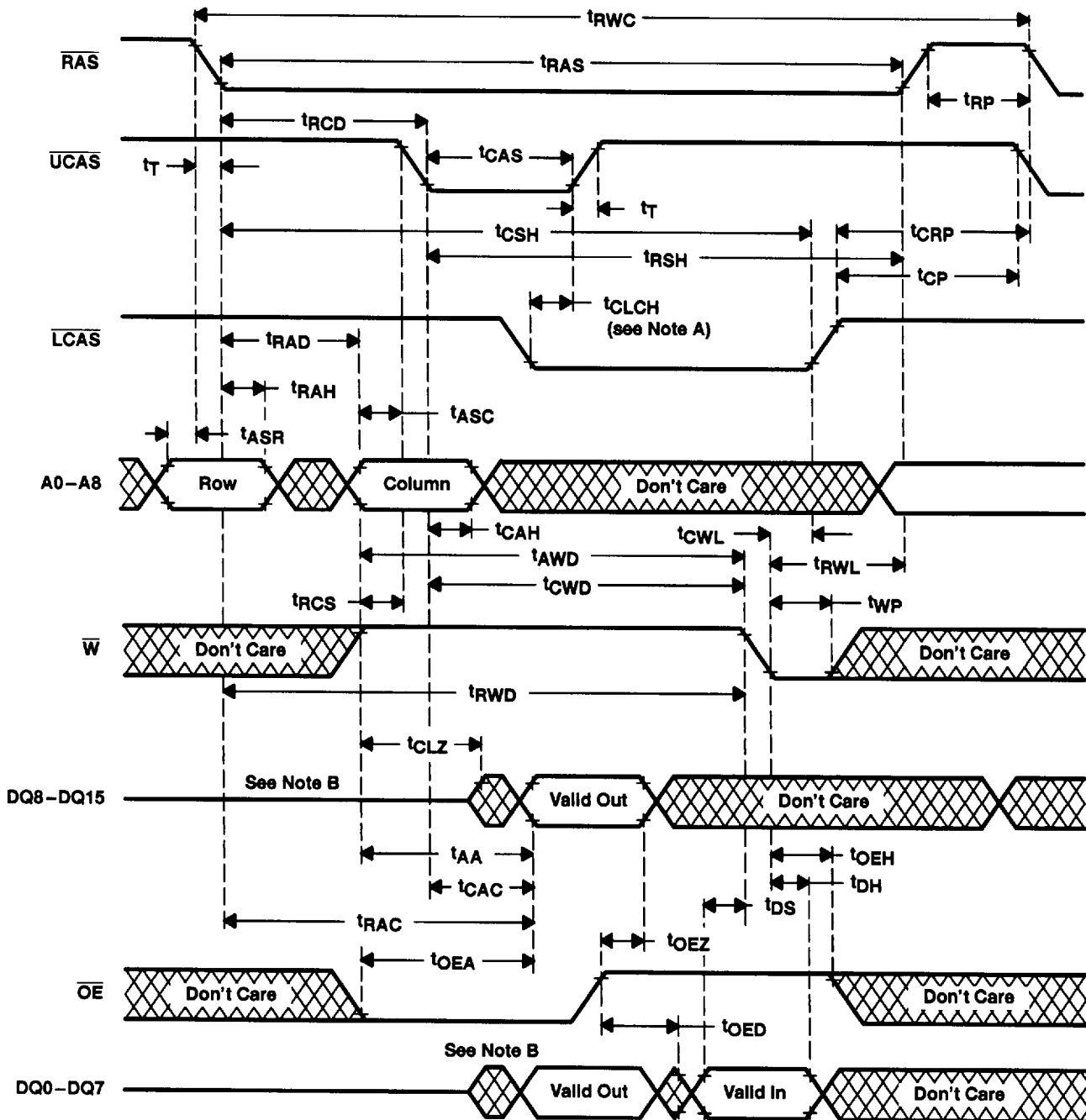
NOTES: A. To hold the address latched by the first xCAS going low, the parameter t_{CLCH} must be met.
 B. xCAS order is arbitrary.

Figure 4. Early-Write-Cycle Timing

8961725 0086746 853



PARAMETER MEASUREMENT INFORMATION



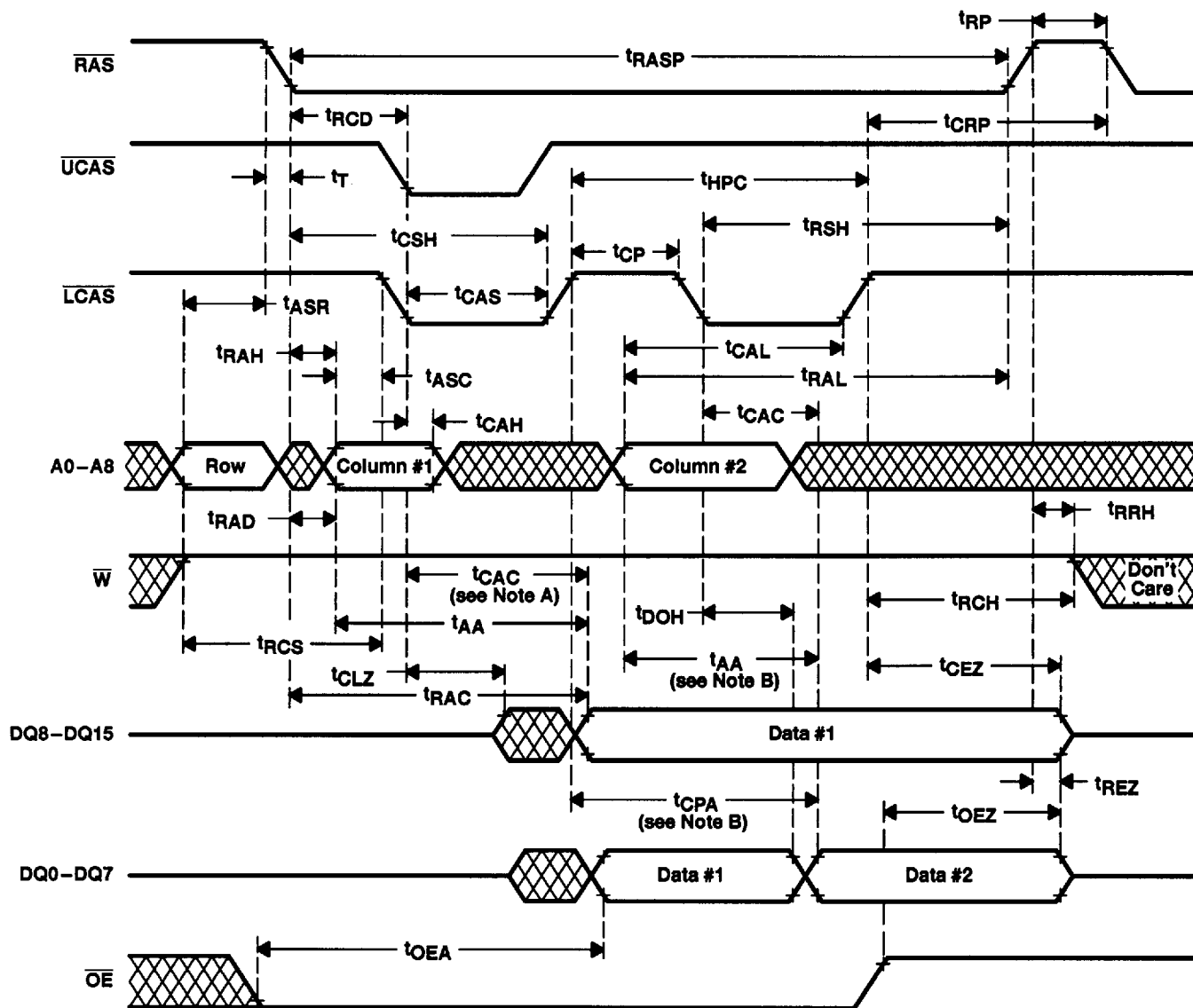
- NOTES: A. To hold the address latched by the first $\overline{x}CAS$ going low, the parameter t_{CLCH} must be met.
 B. Output can go from the high-impedance state to an invalid-data state prior to the specified access time.
 C. $\overline{x}CAS$ order is arbitrary.
 D. Later of $\overline{x}CAS$ or \overline{W} in write operations

Figure 5. Read-Modify-Write-Cycle Timing

8961725 0086747 79T



PARAMETER MEASUREMENT INFORMATION



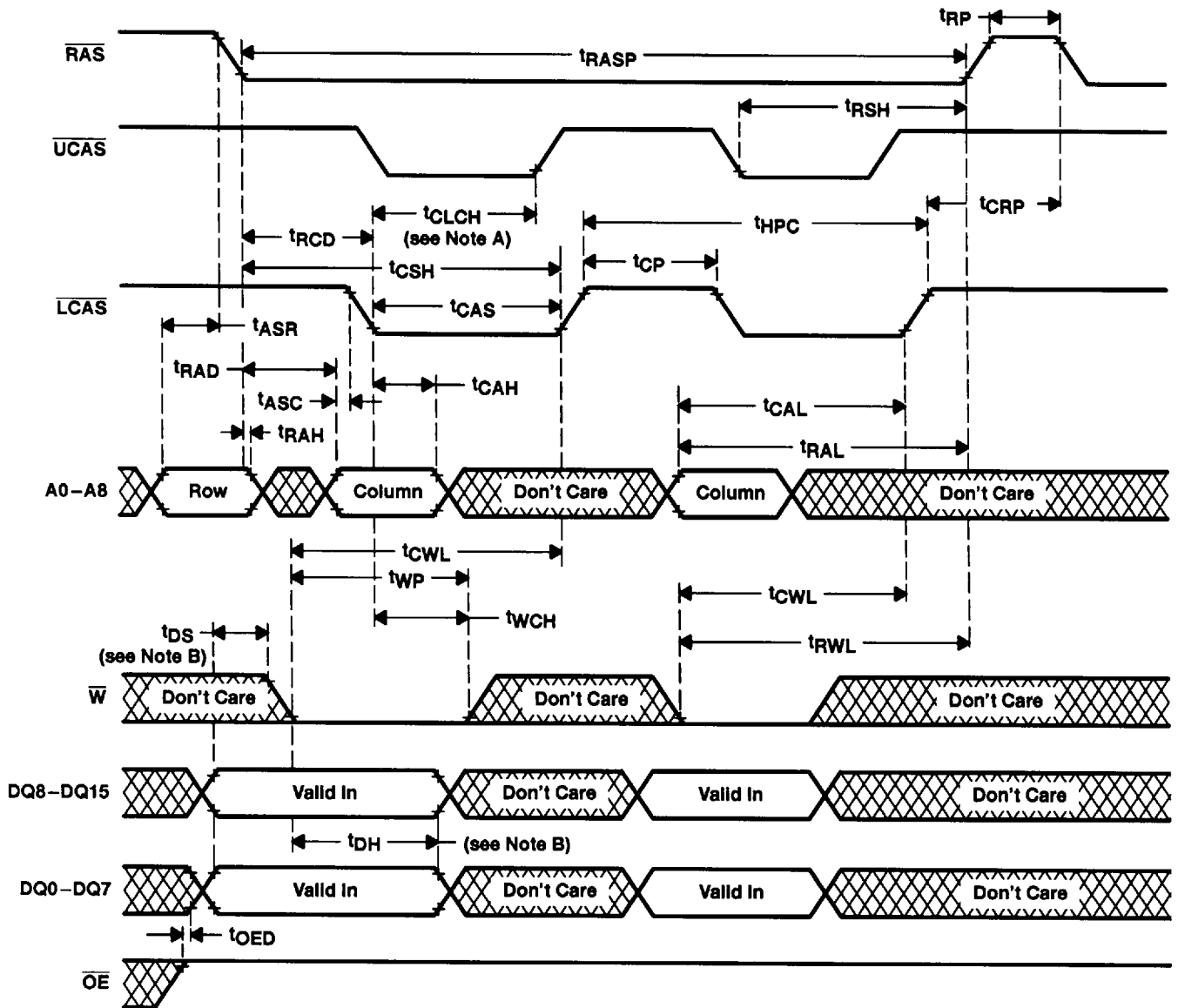
- NOTES:
- t_{CAC} is measured from $\overline{x}CAS$ to its corresponding DQx.
 - Access time is t_{CPA} - or t_{AA} -dependent.
 - A write cycle or read-modify-write cycle can be mixed with the read cycles as long as the write and read-modify-write timing specifications are not violated.
 - $\overline{x}CAS$ order is arbitrary.
 - Output can go from the high-impedance state to an invalid-data state prior to the specified access time.

Figure 6. EDO Read-Cycle Timing

8961725 0086748 626



PARAMETER MEASUREMENT INFORMATION



- NOTES: A. To hold the address latched by the first $\overline{x}CAS$ going low, the parameter t_{CLCH} must be met.
 B. Referenced to $\overline{x}CAS$ or \overline{W} , whichever occurs last
 C. $\overline{x}CAS$ order is arbitrary.
 D. A read cycle or read-modify-write cycle can be mixed with the write cycles as long as the read and read-modify-write timing specifications are not violated.

Figure 7. EDO Write-Cycle Timing

8961725 0086749 562



TMS45169, TMS45169P
262144-WORD BY 16-BIT HIGH-SPEED
DYNAMIC RANDOM-ACCESS MEMORIES

SMHS565A - JULY 1996 - REVISED JANUARY 1997

PARAMETER MEASUREMENT INFORMATION

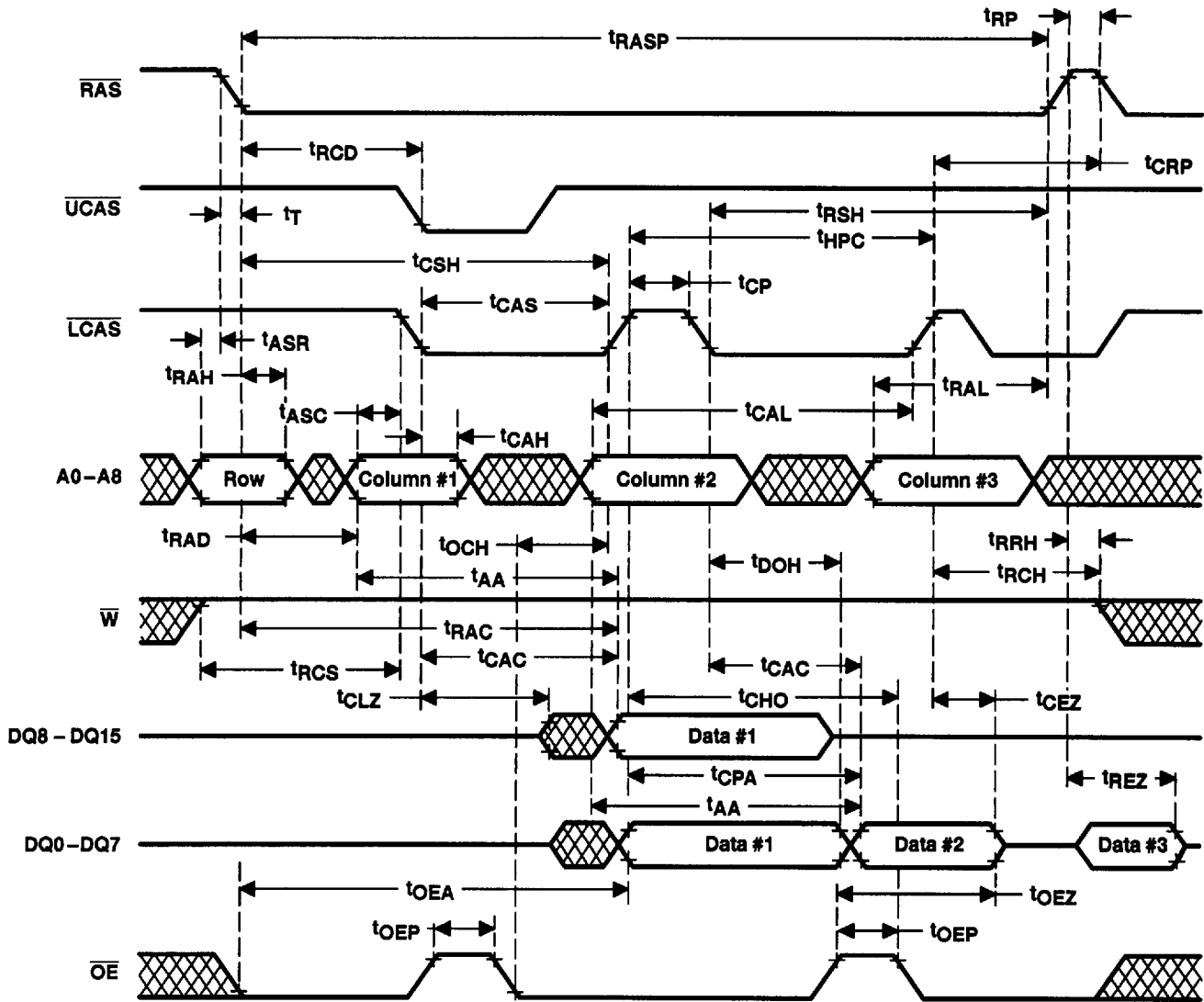


Figure 8. EDO Read-Cycle With \overline{OE} Control

8961725 0086750 284



POST OFFICE BOX 1443 • HOUSTON, TEXAS 77251-1443

PARAMETER MEASUREMENT INFORMATION

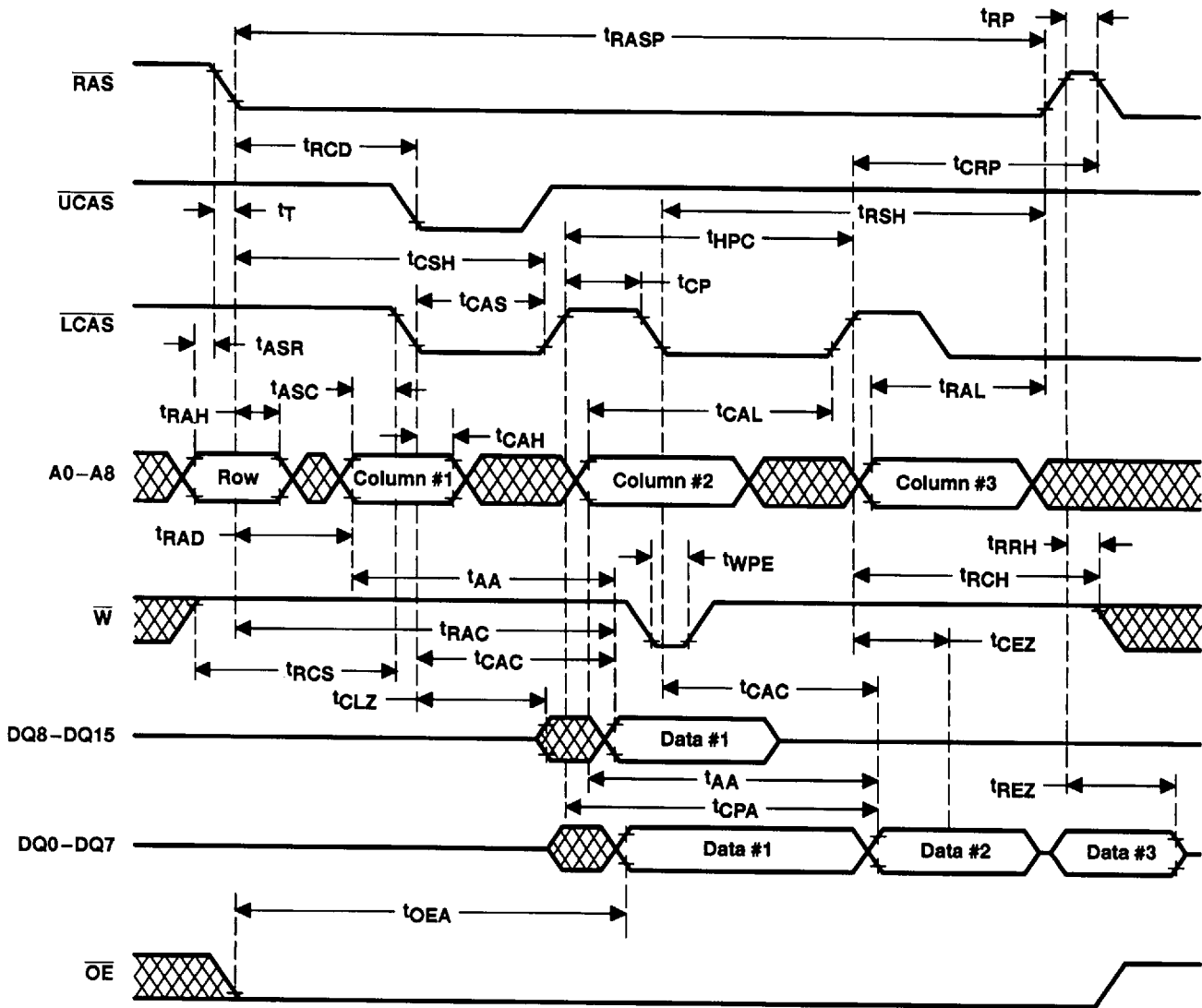


Figure 9. EDO Read-Cycle With \bar{W} Control

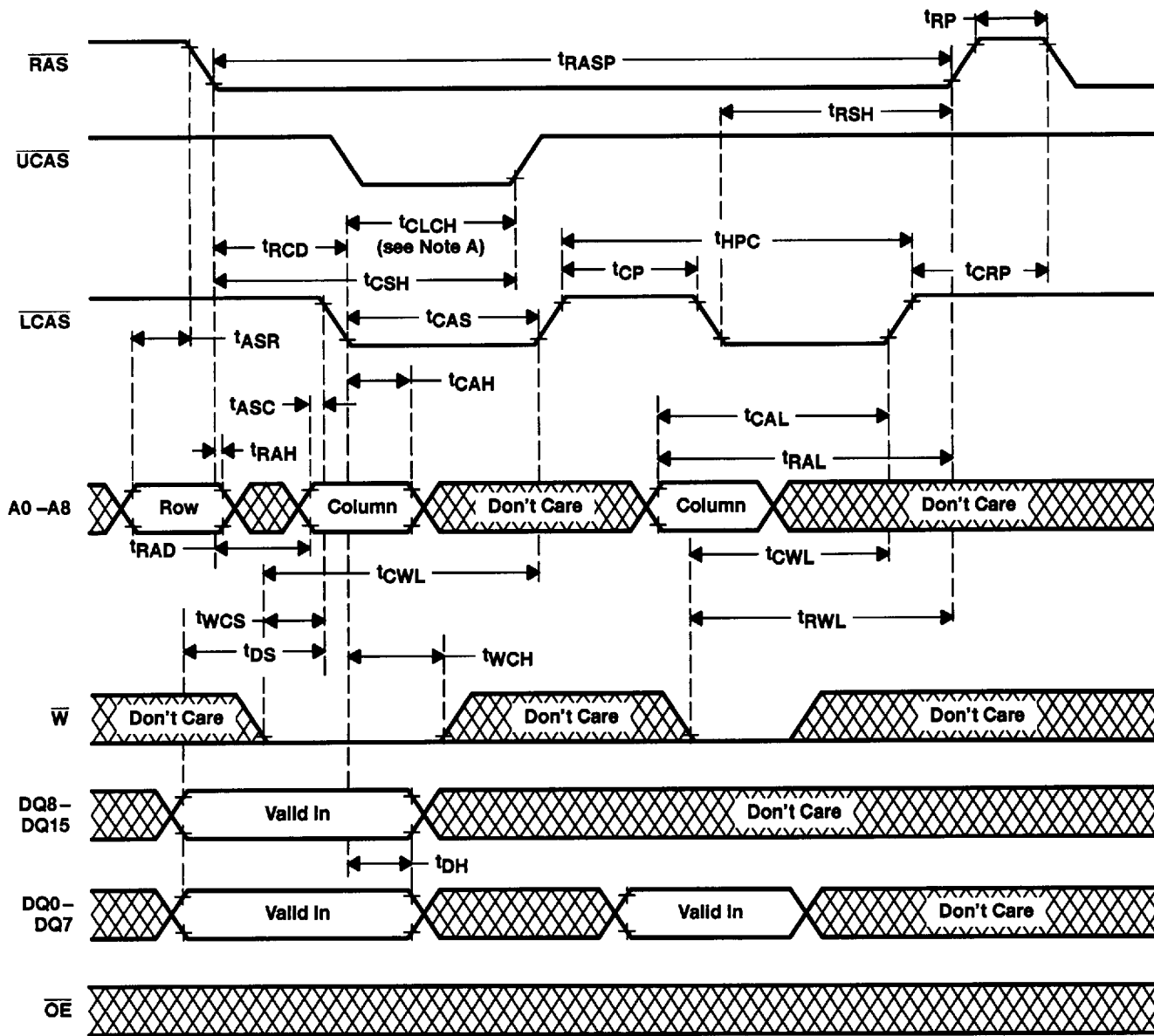
8961725 0086751 110



TMS45169, TMS45169P
262144-WORD BY 16-BIT HIGH-SPEED
DYNAMIC RANDOM-ACCESS MEMORIES

SMHS565A - JULY 1996 - REVISED JANUARY 1997

PARAMETER MEASUREMENT INFORMATION



- NOTES: A. To hold the address latched by the first $\overline{x}CAS$ going low, the parameter t_{CLCH} must be met.
 B. A read cycle or read-modify-write cycle can be mixed with the write cycles as long as the read- and read-modify-write-timing specifications are not violated.
 C. $\overline{x}CAS$ order is arbitrary.

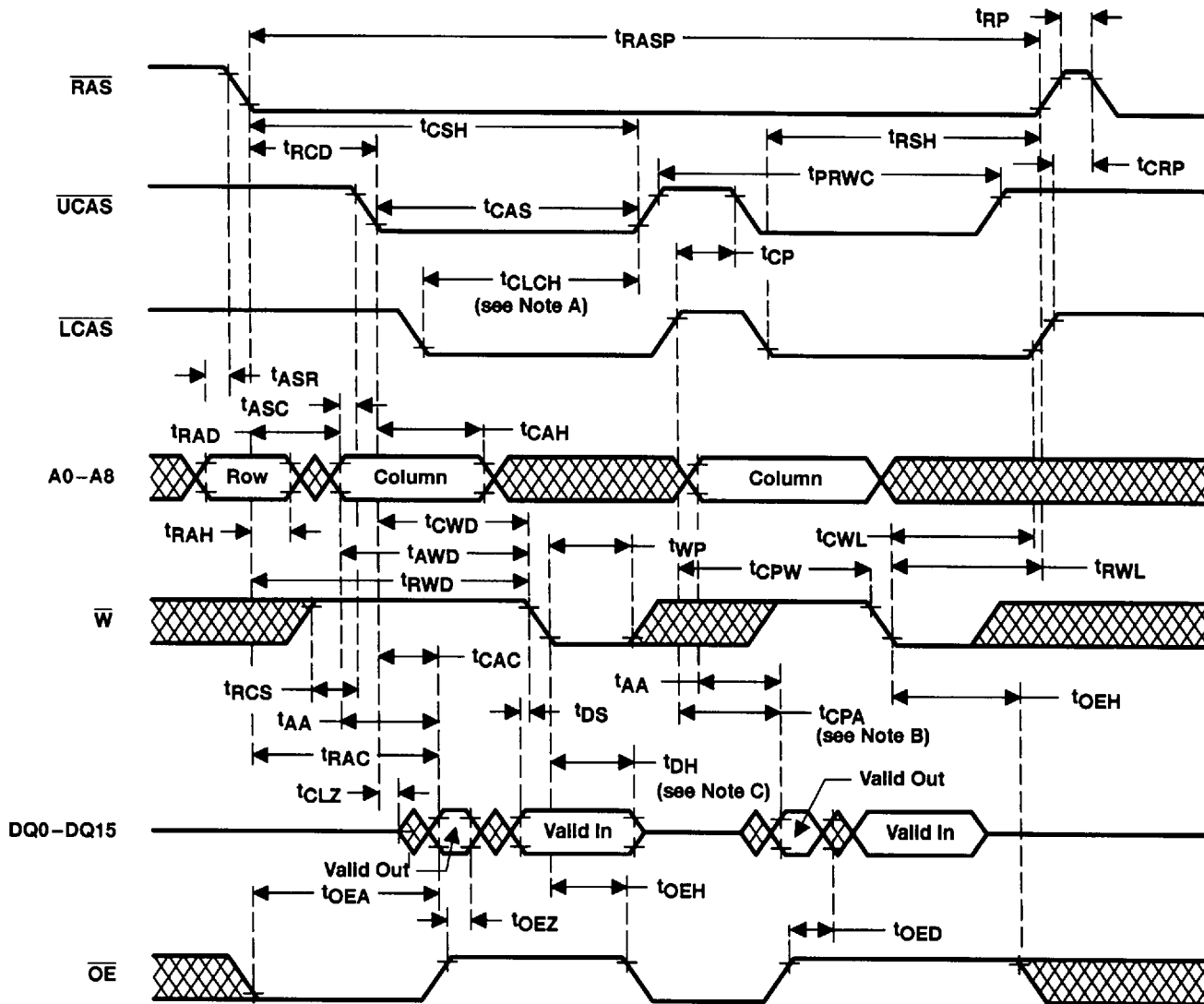
Figure 10. EDO Early Write-Cycle Timing

8961725 0086752 057



POST OFFICE BOX 1443 • HOUSTON, TEXAS 77251-1443

PARAMETER MEASUREMENT INFORMATION



- NOTES:
- A. To hold the address latched by the first $\overline{x}CAS$ going low, the parameter t_{CLCH} must be met.
 - B. Access time is t_{CPA} - or t_{AA} -dependent.
 - C. Output can go from the high-impedance state to an invalid-data state prior to the specified access time.
 - D. $\overline{x}CAS$ order is arbitrary.
 - E. A read or write cycle can be intermixed with read-modify-write cycles as long as the read- and write-cycle timing specifications are not violated.
 - F. t_{CAC} is measured from $\overline{x}CAS$ to its corresponding DQx .

Figure 11. EDO Read-Modify-Write-Cycle Timing

PARAMETER MEASUREMENT INFORMATION

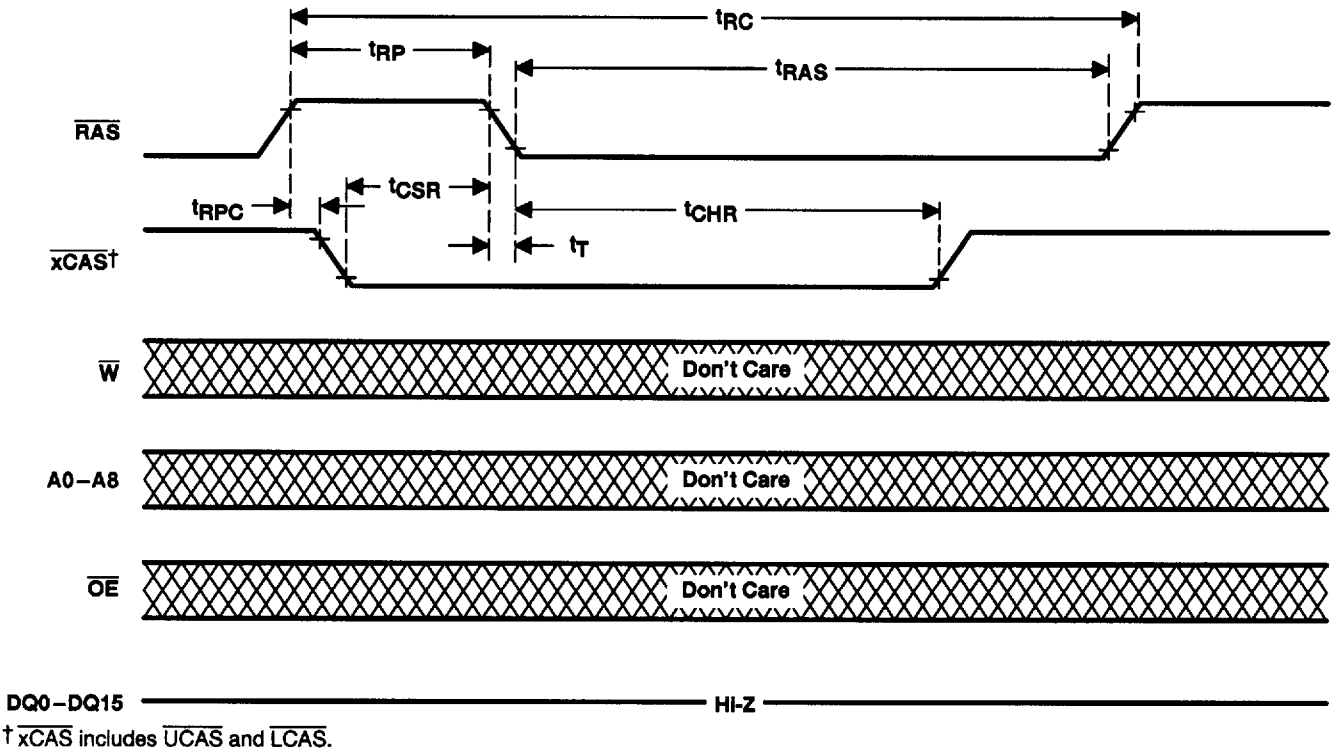
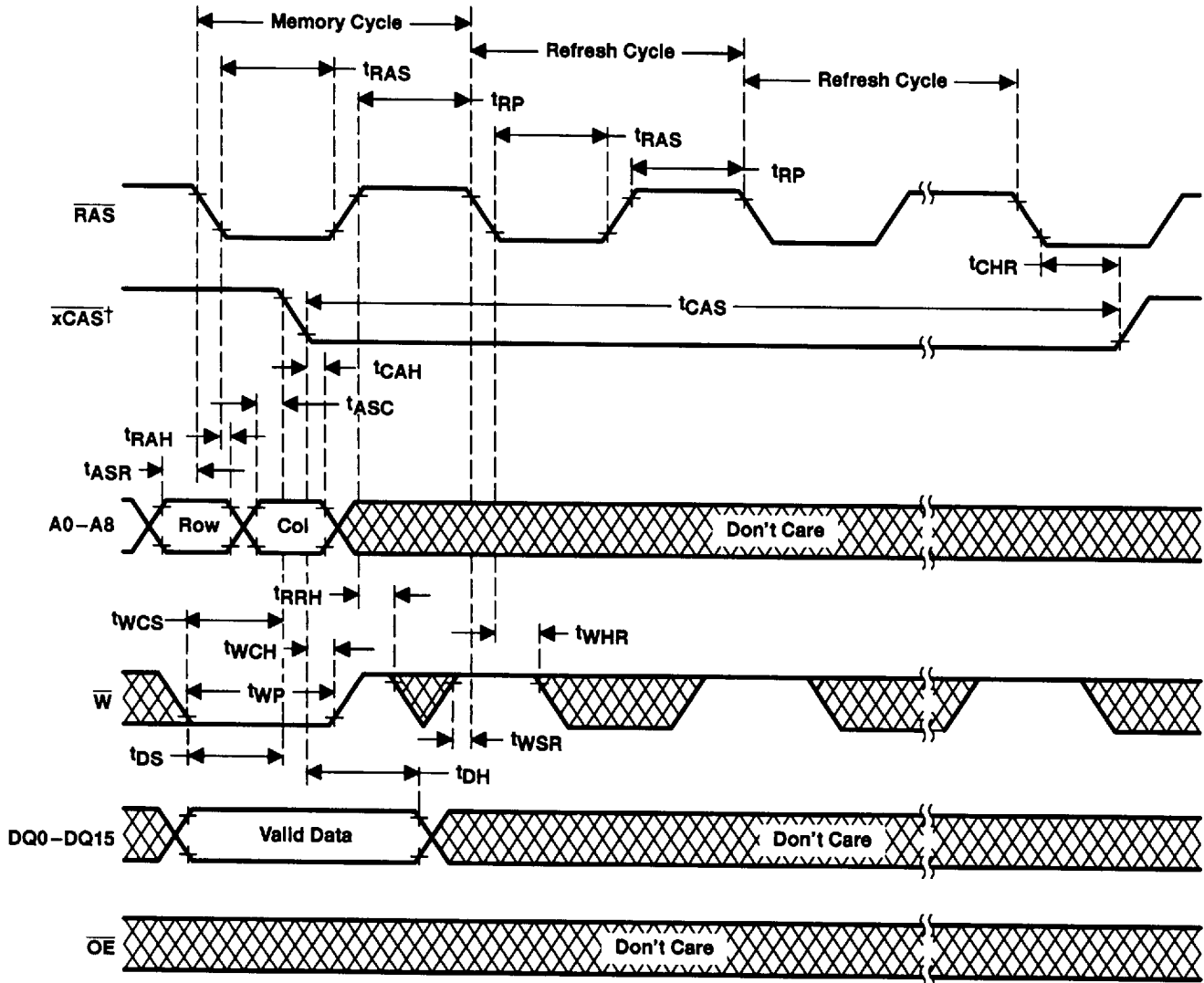


Figure 12. Automatic CBR-Refresh-Cycle Timing

8961725 0086754 92T

PARAMETER MEASUREMENT INFORMATION



† xCAS includes UCAS and LCAS.

Figure 13. Hidden-Refresh Cycle (Write)

8961725 0086755 866

PARAMETER MEASUREMENT INFORMATION

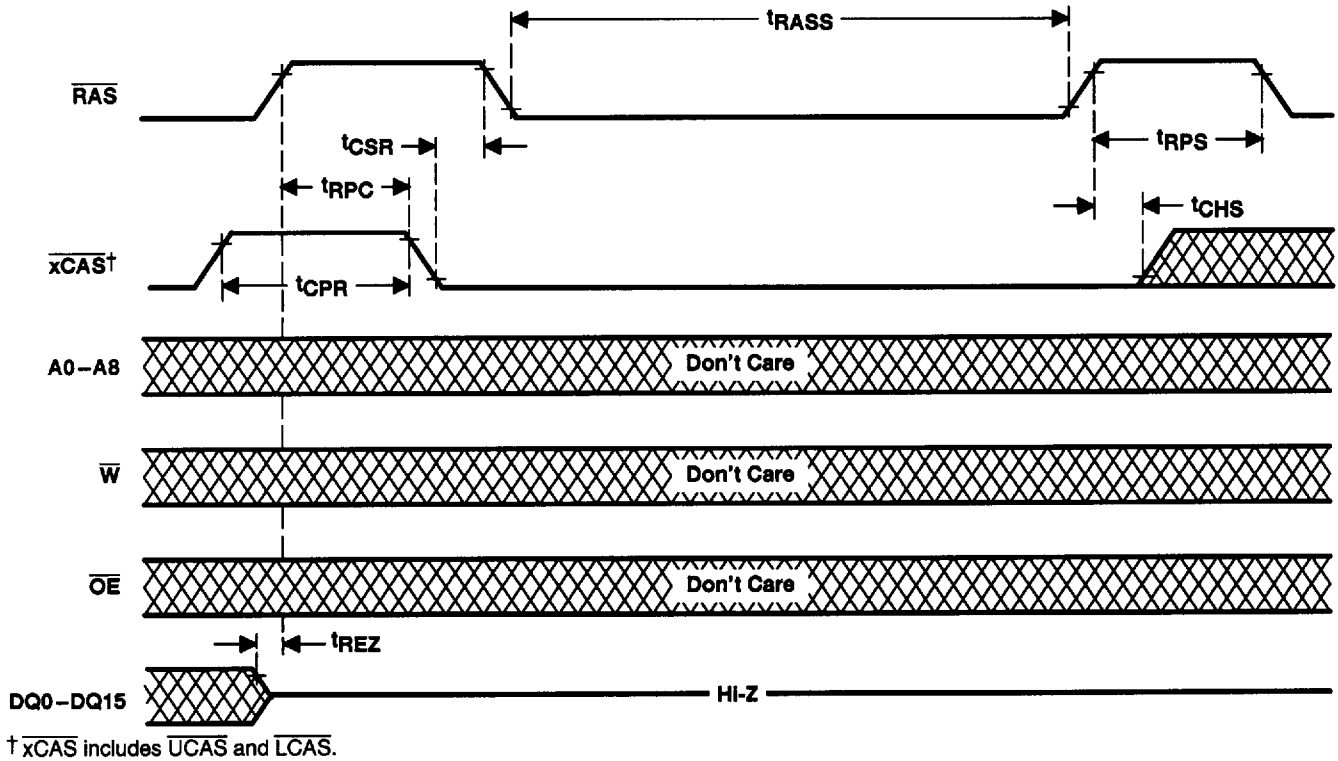


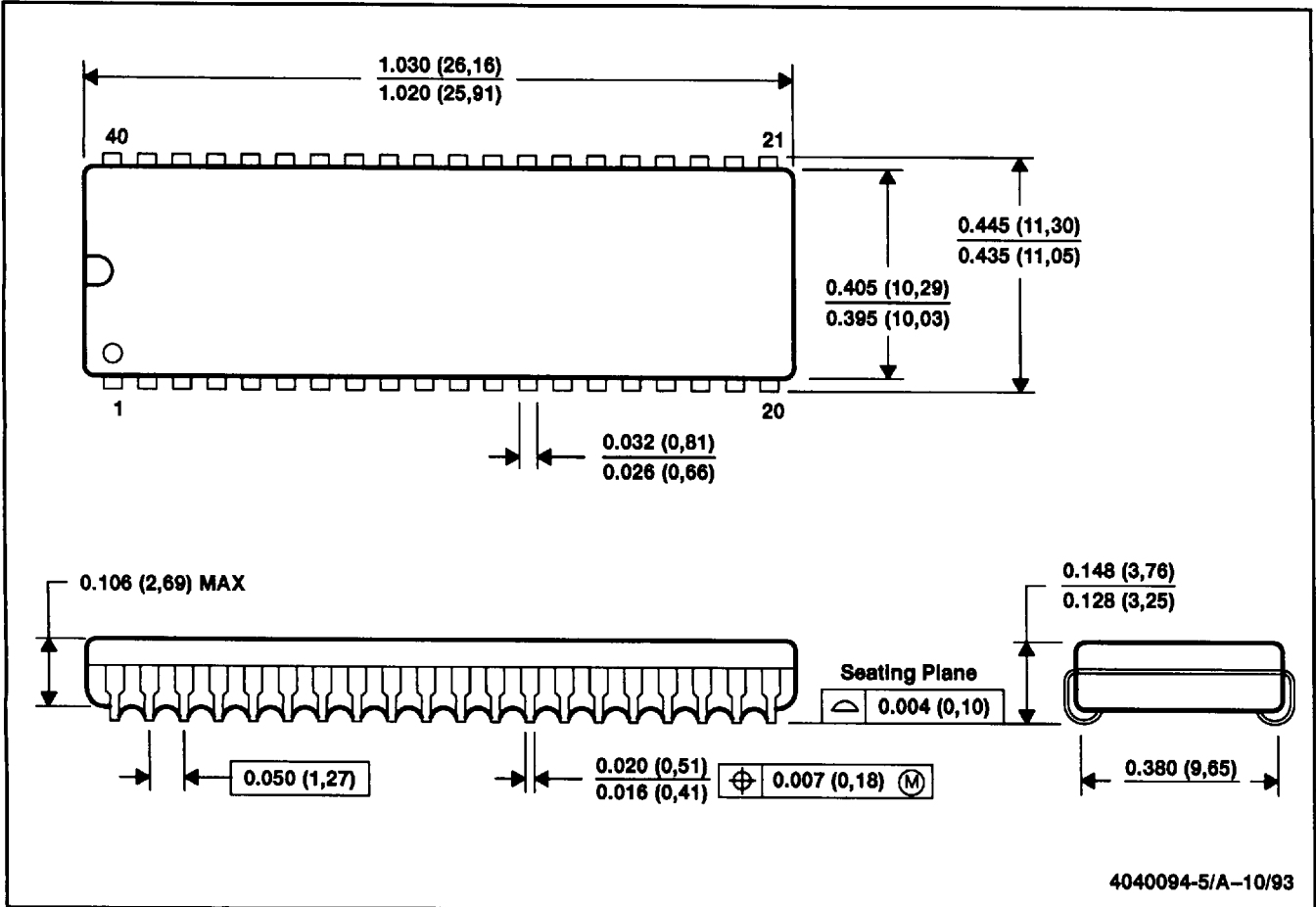
Figure 14. Self-Refresh Timing

8961725 0086756 7T2

MECHANICAL DATA

DZ/R-PDSO-J40

PLASTIC SMALL-OUTLINE J-LEAD PACKAGE



- NOTES: A. All linear dimensions are in inches (millimeters).
 B. This drawing is subject to change without notice.
 C. Plastic body dimensions do not include mold protrusion. Maximum mold protrusion is 0.005 (0,125).

8961725 0086757 639



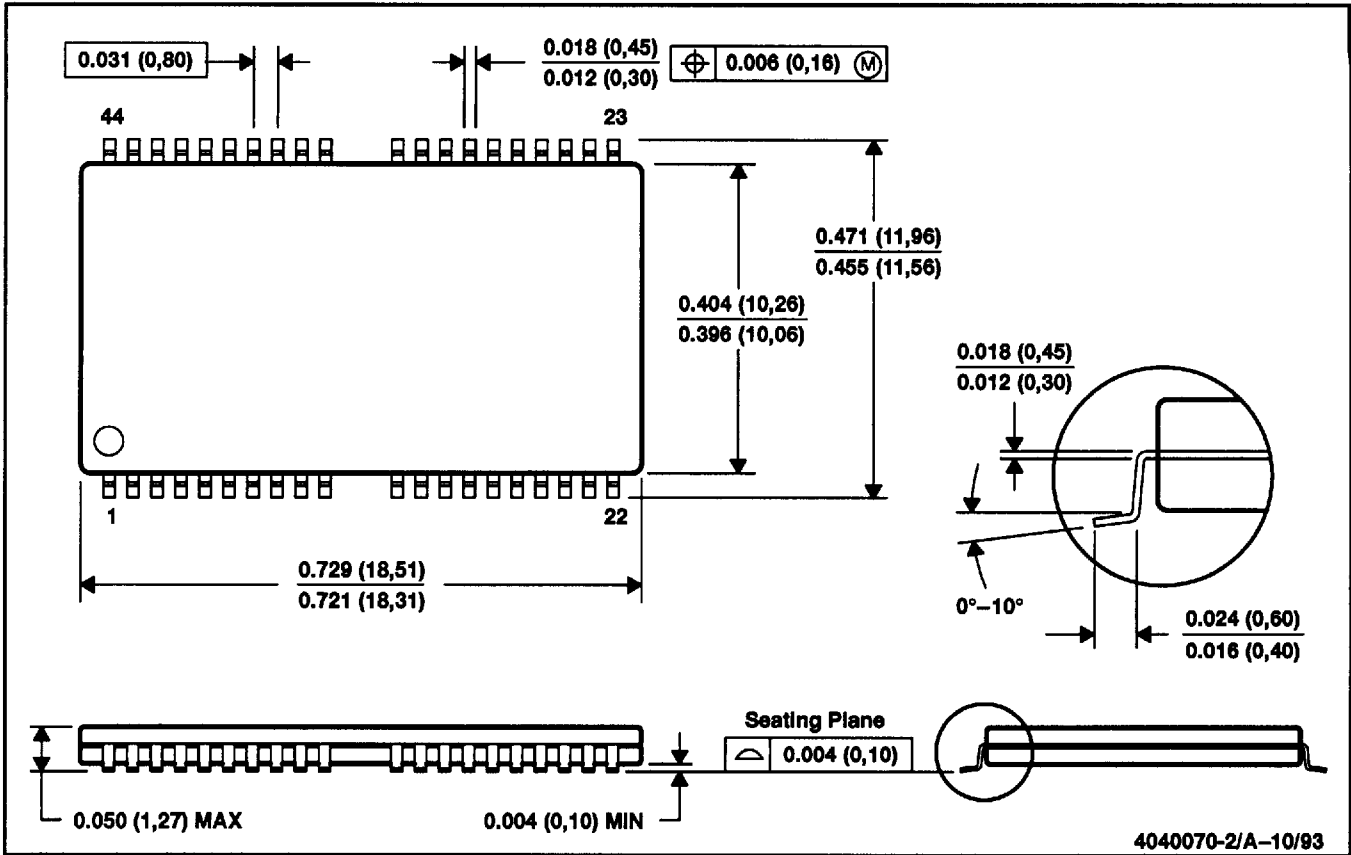
TMS45169, TMS45169P
262144-WORD BY 16-BIT HIGH-SPEED
DYNAMIC RANDOM-ACCESS MEMORIES

SMHS565A - JULY 1996 - REVISED JANUARY 1997

MECHANICAL DATA

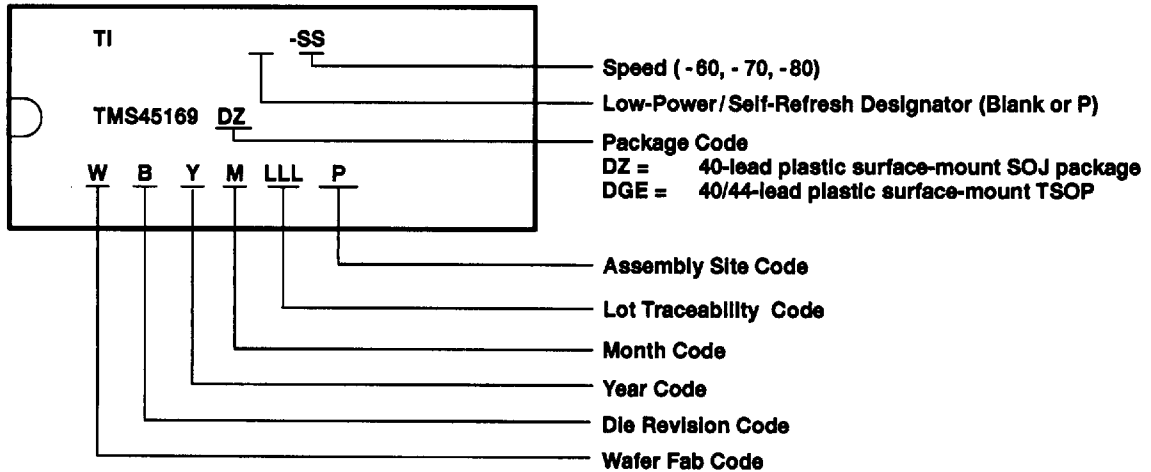
DGE/R-PDSO-G40/44

PLASTIC SMALL-OUTLINE PACKAGE



- NOTES: A. All linear dimensions are in inches (millimeters).
 B. This drawing is subject to change without notice.
 C. Body dimensions do not include mold flash or protrusion.

device symbolization (TMS45169 illustrated)



8961725 0086758 575

TEXAS
INSTRUMENTS

POST OFFICE BOX 1443 • HOUSTON, TEXAS 77251-1443