



Intel[®] 840 Chipset: 82840 Memory Controller Hub (MCH)

Datasheet

September 2000

Document Number: 298020-002



Information in this document is provided in connection with Intel products. No license, express or implied, by estoppel or otherwise, to any intellectual property rights is granted by this document. Except as provided in Intel's Terms and Conditions of Sale for such products, Intel assumes no liability whatsoever, and Intel disclaims any express or implied warranty, relating to sale and/or use of Intel products including liability or warranties relating to fitness for a particular purpose, merchantability, or infringement of any patent, copyright or other intellectual property right. Intel products are not intended for use in medical, life saving, or life sustaining applications.

Intel may make changes to specifications and product descriptions at any time, without notice.

Designers must not rely on the absence or characteristics of any features or instructions marked "reserved" or "undefined." Intel reserves these for future definition and shall have no responsibility whatsoever for conflicts or incompatibilities arising from future changes to them.

The Intel® 82840 MCH may contain design defects or errors known as errata which may cause the product to deviate from published specifications. Current characterized errata are available on request.

Contact your local Intel sales office or your distributor to obtain the latest specifications and before placing your product order.

I²C is a 2-wire communications bus/protocol developed by Philips. SMBus is a subset of the I²C bus/protocol and was developed by Intel. Implementations of the I²C bus/protocol may require licenses from various entities, including Philips Electronics N.V. and North American Philips Corporation.

Alert on LAN is a result of the Intel-IBM Advanced Manageability Alliance and a trademark of IBM

Copies of documents which have an ordering number and are referenced in this document, or other Intel literature, may be obtained from:

Intel Corporation
www.intel.com
or call 1-800-548-4725

*Third-party brands and names are the property of their respective owners.

Copyright © Intel Corporation 2000

Contents

1.	Overview	13
1.1.	Intel® 840 Chipset System Architecture	13
1.2.	82840 MCH Overview	16
1.3.	Terminology	18
2.	Signal Description	21
2.1.	Host Interface Signals	22
2.2.	Direct Rambus* Interface A	24
2.3.	Direct Rambus* Interface B	25
2.4.	Hub Interface A Signals	26
2.5.	Hub interface B Signals.....	26
2.6.	AGP Interface Signals.....	26
2.6.1.	AGP Addressing Signals	26
2.6.2.	AGP Flow Control Signals	27
2.6.3.	AGP Status Signals	28
2.6.4.	AGP Clocking Signals—Strobes	28
2.6.5.	AGP FRAME# Signals.....	29
2.7.	Clocks, Reset, and Miscellaneous	31
2.8.	Voltage References, PLL Power	32
2.9.	Strap Signals.....	33
3.	Register Description	35
3.1.	Register Nomenclature and Access Attributes	35
3.2.	PCI Configuration Space Access	36
3.3.	I/O Mapped Registers	39
3.3.1.	CONF_ADDR—Configuration Address Register	39
3.3.2.	CONF_DATA—Configuration Data Register.....	40
3.4.	Host-Hub interface A Bridge/DRAM Controller Device Registers (Device 0)	41
3.4.1.	VID—Vendor Identification Register (Device 0)	44
3.4.2.	DID—Device Identification Register (Device 0).....	44
3.4.3.	PCICMD—PCI Command Register (Device 0)	45
3.4.4.	PCISTS—PCI Status Register (Device 0).....	46
3.4.5.	RID—Revision Identification Register (Device 0).....	47
3.4.6.	SUBC—Sub-Class Code Register (Device 0).....	47
3.4.7.	BCC—Base Class Code Register (Device 0).....	47
3.4.8.	MLT—Master Latency Timer Register (Device 0).....	48
3.4.9.	HDR—Header Type Register (Device 0)	48
3.4.10.	—Aperture Base Configuration Register (Device 0).....	48
3.4.11.	SVID—Subsystem Vendor ID (Device 0)	50
3.4.12.	SID—Subsystem ID (Device 0)	50
3.4.13.	CAPPTR—Capabilities Pointer (Device 0).....	50
3.4.14.	GAR[15:0]—RDRAM Group Architecture Register (Device 0).....	51
3.4.15.	MCHCFG—MCH Configuration Register (Device 0).....	52
3.4.16.	FDHC—Fixed DRAM Hole Control Register (Device 0).....	53
3.4.17.	PAM0—PAM6—Programmable Attribute Map Registers (Device 0)	54
3.4.18.	GBA0—GBA15—RDRAM Group Boundary Address Register (Device 0)	57
3.4.19.	RDPS—RDRAM Pool Sizing Register (Device 0).....	58

3.4.20.	DRD—RDRAM Device Register Data Register (Device 0)	59
3.4.21.	RICM—RDRAM Initialization Control Management Register (Device 0).....	59
3.4.22.	MCH Expansion RAC A/B Configuration Registers.....	61
3.4.23.	SMRAM—System Management RAM Control Register (Device 0)	61
3.4.24.	ESMRAMC—Extended System Management RAM Control Register (Device 0)	62
3.4.25.	ACAPID—AGP Capability Identifier Register (Device 0)	63
3.4.26.	AGPSTAT—AGP Status Register (Device 0).....	64
3.4.27.	AGPCMD—AGP Command Register (Device 0)	65
3.4.28.	AGPCTRL—AGP Control Register (Device 0)	66
3.4.29.	APSIZE—Aperture Size (Device 0)	66
3.4.30.	ATTBASE— Aperture Translation Table Base Register (Device 0)	67
3.4.31.	AMTT—AGP Interface Multi-Transaction Timer Register (Device 0).....	67
3.4.32.	LPTT—Low Priority Transaction Timer Register (Device 0).....	68
3.4.33.	RDTR—RDRAM Timing Register (Device 0)	69
3.4.34.	RDCR—RDRAM Refresh Control Register (Device 0).....	70
3.4.35.	TOM—Top of Low Memory Register (Device 0).....	71
3.4.36.	ERRSTS—Error Status Register (Device 0).....	71
3.4.37.	ERRCMD—Error Command Register (Device 0)	73
3.4.38.	SMICMD—SMI Command Register (Device 0).....	75
3.4.39.	SCICMD—SCI Command Register (Device 0).....	77
3.4.40.	SKPD—Scratchpad Data (Device 0)	78
3.4.41.	HERRCTL_STS—Host Error Control/Status Register (Device 0)	79
3.4.42.	DERRCTL_STS—DRAM Error Control/Status Register (Device 0).....	80
3.4.43.	EAP—Error Address Pointer Register (Device 0).....	80
3.4.44.	AGPBCTRL—AGP Buffer Strength Control Register	81
3.4.45.	AGPAPPEND—AGP Append Disable Register.....	81
3.4.46.	GTLNCLAMP—GTL N Clamp Disable Register.....	81
3.5.	AGP Bridge Registers (Device 1)	82
3.5.1.	VID1—Vendor Identification Register (Device 1).....	83
3.5.2.	DID1—Device Identification Register (Device 1)	83
3.5.3.	PCICMD1—PCI-PCI Command Register (Device 1)	84
3.5.4.	PCISTS1—PCI-PCI Status Register (Device 1)	85
3.5.5.	RID1—Revision Identification Register (Device 1)	85
3.5.6.	SUBC1—Sub-Class Code Register (Device 1)	86
3.5.7.	BCC1—Base Class Code Register (Device 1)	86
3.5.8.	MLT1—Master Latency Timer Register (Device 1)	86
3.5.9.	HDR1—Header Type Register (Device 1).....	86
3.5.10.	PBUSN1—Primary Bus Number Register (Device 1).....	87
3.5.11.	SBUSN1—Secondary Bus Number Register (Device 1).....	87
3.5.12.	SUBUSN1—Subordinate Bus Number Register (Device 1).....	87
3.5.13.	SMLT1—Secondary Master Latency Timer Register (Device 1).....	88
3.5.14.	IOBASE1—I/O Base Address Register (Device 1).....	88
3.5.15.	IOLIMIT1—I/O Limit Address Register (Device 1).....	89
3.5.16.	SSTS1—Secondary PCI-PCI Status Register (Device 1).....	89
3.5.17.	MBASE1—Memory Base Address Register (Device 1).....	90
3.5.18.	MLIMIT1—Memory Limit Address Register (Device 1)	91
3.5.19.	PMBASE1—Prefetchable Memory Base Address Register (Device 1).....	91
3.5.20.	PMLIMIT1—Prefetchable Memory Limit Address Register (Device 1).....	92
3.5.21.	BCTRL1—PCI-PCI Bridge Control Register (Device 1)	92
3.5.22.	ERRCMD1—Error Command Register (Device 1).....	94

3.6.	Hub interface B Bridge Registers (Device 2)	95
3.6.1.	VID2—Vendor Identification Register (Device 2)	96
3.6.2.	DID2—Device Identification Register (Device 2).....	96
3.6.3.	PCICMD2—PCI-PCI Command Register (Device 2).....	97
3.6.4.	PCISTS2—PCI-PCI Status Register (Device 2).....	98
3.6.5.	RID2—Revision Identification Register (Device 2).....	98
3.6.6.	SUBC2—Sub-Class Code Register (Device 2).....	99
3.6.7.	BCC2—Base Class Code Register (Device 2).....	99
3.6.8.	MLT2—Master Latency Timer Register (Device 2).....	99
3.6.9.	HDR2—Header Type Register (Device 2)	99
3.6.10.	PBUSN2—Primary Bus Number Register (Device 2)	100
3.6.11.	SBUSN2—Secondary Bus Number Register (Device 2)	100
3.6.12.	SUBUSN2—Subordinate Bus Number Register (Device 2).....	100
3.6.13.	SMLT2—Secondary Master Latency Timer Register (Device 2)	100
3.6.14.	IOBASE2—I/O Base Address Register (Device 2)	101
3.6.15.	IOLIMIT2—I/O Limit Address Register (Device 2)	101
3.6.16.	SSTS2—Secondary PCI-PCI Status Register (Device 2)	102
3.6.17.	MBASE2—Memory Base Address Register (Device 2)	103
3.6.18.	MLIMIT2—Memory Limit Address Register (Device 2).....	103
3.6.19.	PMBASE2—Prefetchable Memory Base Address Register (Device 2)	104
3.6.20.	PMLIMIT2—Prefetchable Memory Limit Address Register (Device 2)	104
3.6.21.	BCTRL2—PCI-PCI Bridge Control Register (Device 2)	105
3.6.22.	ERRCMD2—Error Command Register (Device 2)	106
4.	System Address Map.....	107
4.1.	Memory Address Ranges.....	107
4.1.1.	DOS Compatibility Area.....	108
4.1.2.	Extended Memory Area.....	110
4.1.3.	AGP Memory Address Ranges	112
4.1.4.	AGP DRAM Graphics Aperture	113
4.1.5.	System Management Mode (SMM) Memory Range	113
4.1.5.1.	SMM Space Definition	114
4.1.5.2.	SMM Space Restrictions	114
4.1.6.	Memory Shadowing.....	115
4.1.7.	I/O Address Space	115
4.1.7.1.	AGP I/O Address Mapping.....	115
4.1.8.	MCH Decode Rules and Cross-Bridge Address Mapping.....	116
4.1.8.1.	The Hub interface A Decode Rules.....	116
4.1.8.2.	The Hub interface B Decode Rules.....	116
4.1.8.3.	AGP Interface Decode Rules	117
4.1.8.4.	Legacy VGA Ranges.....	118

5.	Functional Description.....	119
5.1.	Host Interface	119
5.1.1.	Frame Buffer Memory Support	125
5.2.	AGP Interface	125
5.2.1.	AGP Target Operations	125
5.2.2.	AGP Transaction Ordering	127
5.2.3.	AGP Electricals	127
5.2.4.	The Differences Between AGP FRAME# and PCI-66 Devices	127
5.2.5.	4x AGP Protocol	127
5.2.6.	Fast Writes.....	128
5.2.7.	AGP Universal Connector.....	128
5.2.8.	AGP FRAME# Transactions on AGP	128
5.2.8.1.	MCH Initiator and Target Operations.....	129
5.2.8.2.	MCH Retry/Disconnect Conditions	131
5.2.8.3.	Delayed Transaction	131
5.3.	RDRAM Interface	132
5.3.1.	RDRAM Organization and Configuration	134
5.3.1.1.	Rules for Populating RDRAM Devices	135
5.3.1.2.	RDRAM CMOS Signals Description and Usage.....	136
5.3.1.3.	Direct RDRAM Core Refresh.....	138
5.3.1.4.	Direct RDRAM Current Calibration	138
5.3.2.	Direct RDRAM Command Encoding.....	138
5.3.2.1.	Row Packet (ROWA/ROWR)	139
5.3.2.2.	Column Packet (COLC/COLX)	141
5.3.2.3.	Data Packet	142
5.3.3.	Direct RDRAM Register Programming	143
5.3.4.	Direct RDRAM Operating States	143
5.3.5.	RDRAM Power Management.....	144
5.3.6.	Data Integrity.....	145
5.3.7.	RDRAM Array Thermal Management.....	145
5.4.	System Reset	146
6.	Ballout and Package Information	147
6.1.	MCH Ball List.....	147
6.2.	Package Information.....	154
6.2.1.	82840 RSL Normalized Trace Length Data	156
6.3.	Initialization Sequence	160
6.4.	XOR Chains.....	161

Figures

Figure 1. Intel® 840 Chipset System Block Diagram	14
Figure 2. PAM Registers.....	55
Figure 3. System Address Map	107
Figure 4. Detailed DOS Compatible Area Address Map.....	110
Figure 5. Detailed Extended Memory Range Address Map	110
Figure 6. Single Channel-pair Mode	132
Figure 7. Multiple Channel-pair Mode.....	133
Figure 8. RDRAM Devices Sideband CMOS Signal Configuration on Rambus* Channel A.....	136
Figure 9. MRH-R Sideband CMOS Signal Configuration on Rambus* Channel A.....	137
Figure 10. 82840 MCH Reset.....	146
Figure 11. MCH Ballout (Top View, Left Side).....	148
Figure 12. MCH Ballout (Top View, Right Side)	149
Figure 13. 82840 MCH BGA Package Dimensions (Top and Side Views)	154
Figure 14. 82840 MCH BGA Package Dimensions (Bottom View)	155
Figure 15. XOR-Tree Chain.....	159
Figure 16. XOR Chain Test Mode Initialization.....	160

Tables

Table 1. Maximum Memory Vs DRAM Densities	17
Table 2. MCH Configuration Space (Device 0)	41
Table 3. Attribute Bit Assignment	54
Table 4. PAM Registers and Associated Memory Segments	55
Table 5. MCH Configuration Space (Device 1)	82
Table 6. MCH Configuration Space (Device 2)	95
Table 7. Memory Segments and their Attributes	108
Table 8. P6 Bus Transactions Supported by the MCH	119
Table 9. Types of Responses Supported by the MCH	121
Table 10. Types of Special Cycles Supported by the MCH	124
Table 11. AGP Commands Supported by the MCH When Acting as an AGP Target	126
Table 12. Fast Write Register Programming	128
Table 13. PCI Commands Supported by the MCH When Acting as A FRAME# Target	129
Table 14. Maximum Memory Supported For Various Configurations	133
Table 15. Direct RDRAM Device Configurations	134
Table 16. RDRAM Device Grouping	135
Table 17. Sideband CMOS Signal Description	137
Table 18. CMD Signal Value Decode	137
Table 19. ROWA Packet for Activating (sensing) a Row (i.e., AV = 1)	139
Table 20. ROWR Packet for other operations (i.e., AV = 0)	139
Table 21. COLC Packet	141
Table 22. COLC Packet Field Encodings	141
Table 23. COLX Packet (M = 0)	142
Table 24. COLM Packet and COLX Packet Field Encodings	142
Table 25. Data Packet	142
Table 26. DRAM Operating States	143
Table 27. RDRAM Power Management States	144
Table 28. MCH Alphabetical Ballout List	150
Table 29. Package Dimensions	155
Table 30. XOR Chain #0 Connections	161
Table 31. XOR Chain #1 Connections	161
Table 32. XOR Chain #2 Connections	162
Table 33. XOR Chain #3 Connections	162
Table 34. XOR Chain #4 Connections	163
Table 35. XOR Chain #5 Connections	164
Table 36. XOR Chain #6 Connections	164

Revision History

Rev.	Draft/Changes	Date
-001	<ul style="list-style-type: none">• Initial Release	October 1999
-002	<ul style="list-style-type: none">• Minor edits throughout for clarity.• Removed references to MRH-S and SDRAM• Removed references to using two MRH-Rs per channel.	September 2000

This page is left intentionally blank.

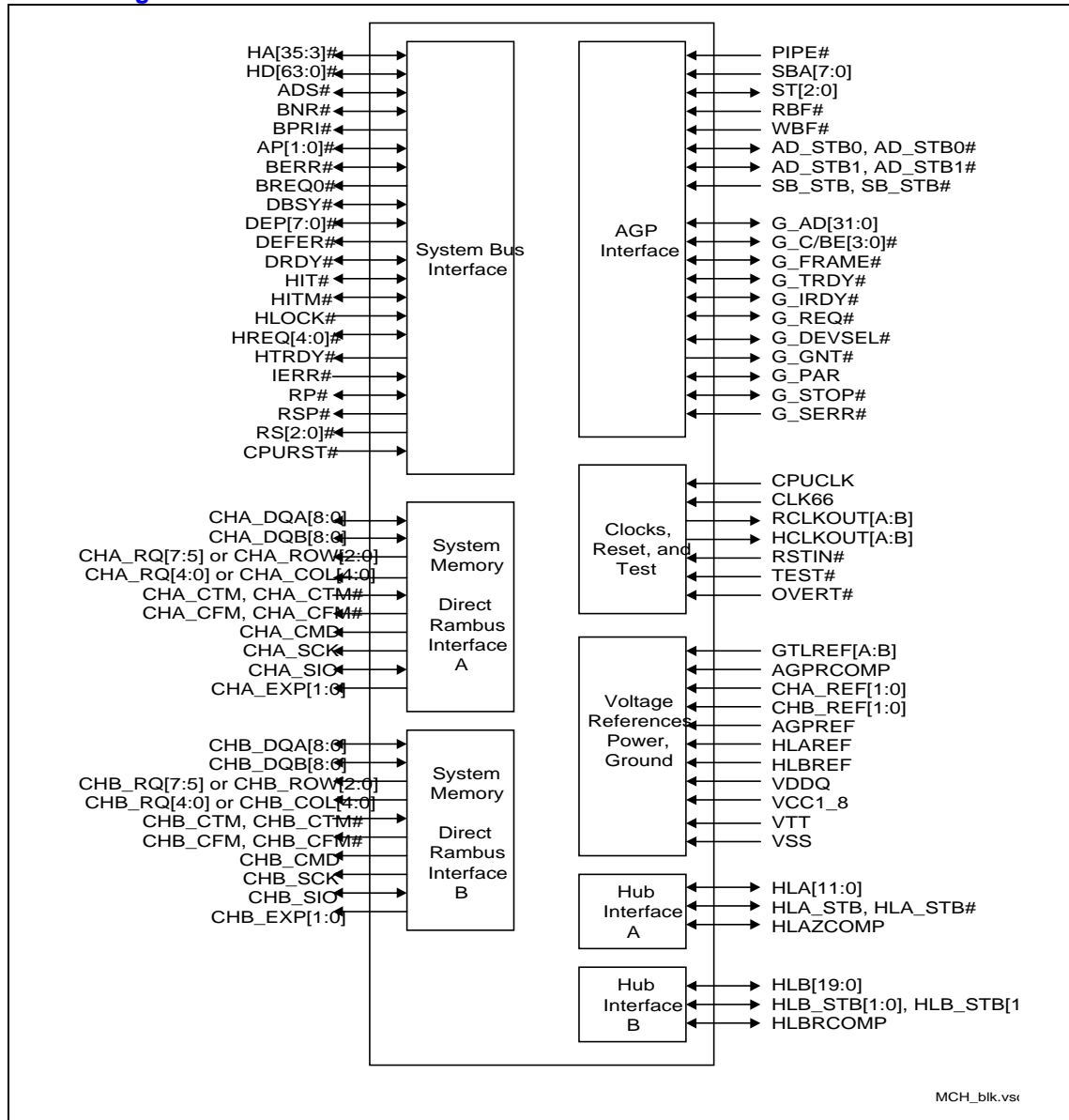
Intel® 82840 MCH

Product Features

- Processor/Host Bus Support
 - Supports up to two Pentium® II processors or Pentium® III processors at 100 MHz or 133 MHz system bus frequency
 - Supports full symmetric multiprocessor (SMP) protocol
 - Supports 32- or 36-bit host bus addressing
 - Supports 8 deep In-Order Queue
 - ECC protection on FSB data signals
 - IERR and BERR signals generate SCI/SERR
 - Parity protection on address/response signals
- Memory Controller—Direct Rambus* Support
 - Direct support for dual Direct Rambus* Channels operating in lock-step: Supports 300 MHz, 400 MHz
 - Supports 64Mb, 128Mb, 256Mb RDRAM devices
 - Maximum memory array size up to 1 GB using 64Mb, 2 GB using 128Mb, 4 GB using 256Mb
 - Supports up to 64 Direct Rambus* devices without using MRH-Rs
 - Supports up to four Rambus* channels using two external Memory Repeater Hubs for RDRAM devices (MRH-R)
- Power Management
 - SMRAM space remapping to A0000h–BFFFFh (128 KB)
 - Supports extended SMRAM space above 256 MB, additional 128 KB / 256 KB / 512 KB / 1 MB TSEG from Top of Memory, cacheable (cacheability controlled by processor)
 - Suspend to RAM support
- Memory Controller—Configurable Optional ECC Operation
 - ECC with single bit Error Correction and multiple bit Error Detection
 - Single bit errors corrected and written back to memory (scrubbing)
- Accelerated Graphics Port (AGP) Interface
 - Supports a single AGP device (either via a connector or on the motherboard)
 - Supports AGP 2.0 including 4x AGP data transfers and 2x/4x Fast Write protocol
 - AGP Universal Connector support via dual mode buffers to allow AGP 2.0 3.3V or 1.5V signaling
- Hub interface A to ICH—High speed interconnect between MCH and ICH (266 MB/sec)
- Hub interface B to P64H—High speed interconnect between MCH and P64H (533 MB/sec)
- Arbitration
 - Distributed arbitration model for optimum concurrency support
 - Concurrent operations of host, hub interface, AGP, and memory buses supported via dedicated arbitration and data buffering logic
- Process/Package
 - 544 mBGA

The Intel® 82840 Memory Controller Hub may contain design defects or errors known as errata which may cause the product to deviate from published specifications. Current characterized errata are available on request.

Simplified Block Diagram



1. Overview

The Intel® 840 chipset is a high-bandwidth chipset designed for workstation and server platforms based on Intel® Pentium® II processor / Intel® Pentium® III processor architectures. The chipset contains two main components and additional optional components that provide expansion capability. The 82840 Memory Controller Hub (MCH) provides the system bus interface, memory controller, AGP interface, hub interface for I/O, and hub interface for PCI bus expansion. This document describes the 82840 Memory Controller Hub (MCH). Section 1.1, *Intel® 840 Chipset System Architecture*, provides an overview of each of the components of the Intel® 840 chipset.

1.1. Intel® 840 Chipset System Architecture

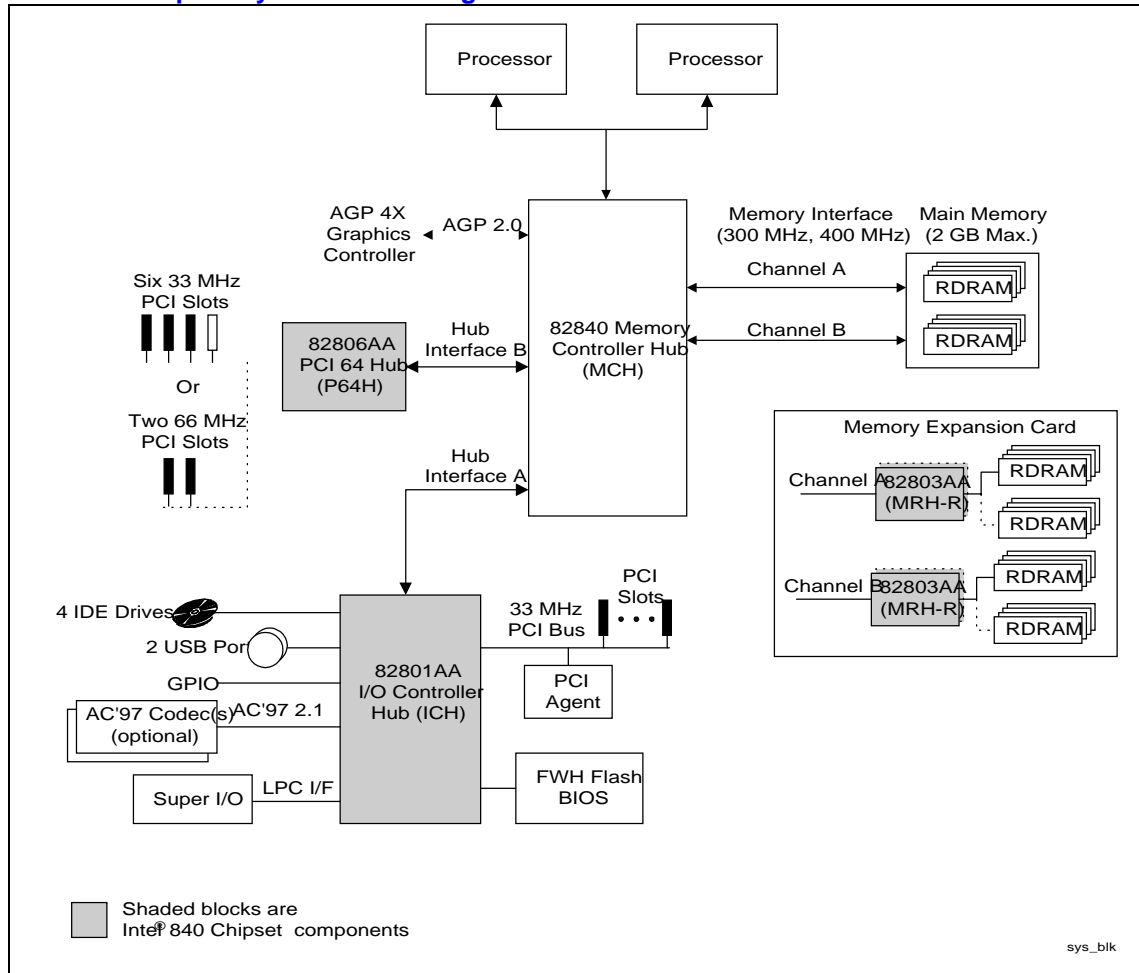
The Intel® 840 chipset is optimized for the Intel® Pentium® II processor and Intel® Pentium® III processor architectures. The Intel® 840 chipset allows flexibility for dual and multi-processor configurations with 100 MHz and 133 MHz system buses. The Intel® 840 chipset consists of 2 main components: 82840 Memory Controller Hub (MCH), and 82801AA I/O Controller Hub (ICH).

Architectural expansion is provided with the memory expansion card and PCI 64-bit Hub. The 82803AA Memory Repeater Hub (MRH-R) provides memory expansion capabilities for RDRAM channels. The 82806AA PCI 64 Hub (P64H) provides PCI bridging functions between the hub interface and PCI Bus. The Intel® 840 chipset components are interconnected via an interface called “hub interface”. The hub interface provides efficient communication between the chipset components.

Additional hardware platform features, supported by Intel® 840 chipset, include AGP 4X, RDRAM, Ultra DMA/66, Low Pin Count interface (LPC), and Universal Serial Bus (USB). The Intel® 840 chipset architecture removes the requirement for the ISA expansion bus that was traditionally integrated into the I/O subsystem of PCIsets/AGPsets. This eliminates many conflicts experienced when installing legacy ISA hardware and drivers.

The Intel® 840 chipset is also ACPI compliant and supports Full-on, Stop Grant, Suspend to RAM, Suspend to Disk, and Soft-off power management states. Through the use of an appropriate LAN device, Intel® 840 chipset also supports wake-on-LAN* for remote administration and troubleshooting.

Figure 1. Intel® 840 Chipset System Block Diagram



82801AA I/O Controller Hub (ICH)

The ICH is a highly integrated multifunctional I/O Controller Hub that provides the interface to the PCI Bus and integrates many of the functions needed in today's PC platforms. The MCH and ICH communicate over a dedicated hub interface. Functions and capabilities include:

- PCI Rev 2.2 compliant with support for 33 MHz PCI operations
- Supports up to 6 Req/Gnt pairs (PCI Slots)
- Power Management Logic Support
- Enhanced DMA Controller, Interrupt Controller and Timer Functions
- Integrated IDE controller; Ultra ATA/66
- USB host interface with support for 2 USB ports
- System Management Bus (SMBus) compatible with most I²C devices
- AC'97 2.1 Compliant Link for Audio and Telephony CODECs
- Low Pin Count (LPC) interface
- FWH Flash BIOS interface support
- Alert on LAN*

82806AA PCI 64 Hub (P64H)

The PCI-64 Hub(P64H) is a peripheral chip that performs PCI bridging functions between the hub interface and the PCI Bus and is used as an integral part of the Intel® 840 chipset. The P64H has a 16-bit primary hub interface to the Memory Controller Hub (MCH) and a secondary 64-bit PCI Bus interface. The 64-bit interfaces inter-operates transparently with either 64-bit or 32-bit devices. The P64H is fully compliant with the *PCI Local Bus Specification, Revision 2.2*. The P64H functions include:

- PCI Hot Plug controller
- Integrated PCI low skew clock driver
- I/O APIC

82803AA Memory Repeater Hub (MRH-R)

The MRH-R supports multiple RDRAM channels from an “expansion channel.” Expansion channel is the interconnect between the MCH and the MRH-R. Each MRH-R can support up to 2 “stick” channels. The MRH-R acts as a pass-through logic with fixed delay for read and write accesses from expansion channels to RDRAM channels. The MRH-R features include:

- Maximum of 1 GB memory per channel
- Nap Entry/Exit, Power down Exit, Refresh and Precharge on a channel upon request from memory controller
- Core logic gating to minimize power consumption
- Clock generation for Direct Rambus* Clock Generator (DRCG)
- Integrated SMBus controller to read/write data from/to SPD EEPROM on the RIMMs

1.2. 82840 MCH Overview

The 82840 Memory Hub (MCH) component provides the processor interface, DRAM interface, and AGP interface in a 82840 workstation or server platform. It supports dual channels of Direct Rambus DRAM operating in lock-step. It also supports 4x AGP data transfers and 2x/4x AGP Fast Writes. The MCH contains advanced power management logic. The Intel 840 chipset platform uses the dedicated I/O Controller Hub (ICH) designed for use with the MCH to provide the features required by a workstation or a server platform. In addition, the 82840 MCH implements a second 16 bit/66 MHz port that may be used to connect an advanced 64 bit PCI interface (P64H). Communication with ICH and P64H is accomplished via a high speed interface called “hub interface”.

The 82840 MCH contains the following functionality:

- Supports up to two processor configurations at 100 MHz or 133 MHz
- GTL+ host bus supporting 32 or 36-bit host addressing
- Dual Direct Rambus channels supported for 300 MHz or 400 MHz operation
- 4 GB support for RDRAM devices
- AGP interface with 4x SBA/Data Transfer and 2x/4x Fast Write capability
- 8 bit, 66 MHz hub interface A to ICH
- 16 bit, 66 MHz hub interface B to P64H
- Fully optimized data paths and buffering
- Distributed arbitration for highly concurrent operation

Host Interface

The 82840 MCH supports up to two processors at FSB frequencies of 100/133 MHz using AGTL+ signaling. In a dual-processor system one of the two processor agent IDs must be assigned to ID0. The 82840 MCH supports either 32 or 36-bit host addresses, allowing the processor to access the entire 4 GB of the MCH’s memory address space. The MCH has an 8-deep In-Order Queue to support up to eight outstanding pipelined address requests on the host bus. Host-initiated I/O cycles are positively decoded to AGP, hub interface B, or MCH configuration space and subtractively decoded to hub interface A. Host-initiated memory cycles are positively decoded to AGP, hub interface B, or DRAM, and are again subtractively decoded to hub interface A. AGP semantic memory accesses initiated from AGP to DRAM are not snooped on the host bus. Memory accesses initiated from AGP using PCI semantics and from either hub interface to DRAM will be snooped on the FSB. Memory accesses whose addresses lie within the AGP aperture are translated using the AGP address translation table, regardless of the originating interface.

The MCH provides optional host bus error checking for data, address, request and response signals. Single bit errors (correctable) are always corrected if it is enabled and can be configured to generate hub interface SMI or SCI cycles to ICH on the host data bus. Multiple bit errors (uncorrectable) can be configured to generate a BERR# condition on the host bus. The MCH can be configured to generate hub interface SERR or SCI cycles to ICH for BERR# or IERR# error conditions. The MCH can also generate the hub interface SERR cycle to ICH for the host address parity or the request parity conditions. The MCH also supports response parity RSP# for the response signals RS[2:0]#.

DRAM Interface

The MCH directly supports dual channels of Direct Rambus* memory operating in lock-step using Rambus* Signaling Level (RSL) technology. Only 300 MHz and 400 MHz Direct Rambus* devices are supported in any of 64, 128 or 256Mb technology. The 64 and 128 MBit RDRAMs use page sizes of 1 KB, while 256Mb devices target 1 KB or 2 KB pages. A maximum of 64 Rambus* devices (64Mb technology implies 512 MB maximum in 16 MB increments, 256Mb technology implies 2 GB maximum in 64 MB increments) are supported on the paired channels without external logic. The MCH also supports a single external Rambus* channel repeater per connected channel. Each repeater adds a single additional branch to the main channel, which yields a total of four Rambus* channels. The following table shows the maximum DRAM array size and the minimum increment size for the various DRAM densities supported.

Table 1. Maximum Memory Vs DRAM Densities

RDRAM Technology	Directly Supported		Supported via Repeater(s)	
	Increments	Maximum	Increments	Maximum
64Mb	16 MB	512 MB	16 MB	1 GB
128Mb	32 MB	1 GB	32 MB	2 GB
256Mb	64 MB	2 GB	64 MB	4 GB

The 82840 MCH provides optional ECC error checking for DRAM data integrity. During DRAM writes, ECC is generated on a QWord (64 bit) basis. Partial QWord writes require a read-modify-write cycle when ECC is enabled. During DRAM reads, the MCH supports detection of single-bit and multiple-bit errors, and correct single bit errors, when correction is enabled. The MCH scrubs single bit errors by writing the corrected value back into DRAM for all reads, when hardware scrubbing is enabled (except for those launched to satisfy an AGP aperture translation). ECC can only be enabled when all RDRAM devices populated in a system support the extra two data bits used to store the ECC code.

The 82840 MCH provides a maximum DRAM address decode space of 4 GB. The MCH does not remap APIC memory space in hardware. It is the BIOS or system designers responsibility to limit DRAM configuration so that adequate PCI, AGP, High BIOS, and APIC memory space can be allocated.

AGP Interface

A single AGP device or connector (not both) is supported by the MCH AGP interface. The AGP buffers operate in one of two selectable modes to support the AGP Universal Connector:

- 3.3V drive, **not** 5 volt safe: This mode is compliant to the AGP 1.0 specification
- 1.5V drive, **not** 3.3 volt safe: This mode is compliant with the AGP 2.0 specification

The following table shows the AGP data rate and the signaling levels supported by the MCH.

Data Rate	Signaling Level	
	1.5V	3.3V
1x AGP *	Yes	Yes
2x AGP	Yes	Yes
4x AGP	Yes	No

* Note AGP FRAME # data rate and signaling level is the same as 1X AGP.

The AGP interface supports 4x AGP signaling and 4x Fast Writes. AGP semantic (PIPE# or SBA[7:0]) cycles to DRAM are not snooped on the host bus. AGP FRAME# cycles to DRAM are snooped on the host bus. The MCH supports PIPE# or SBA[7:0] AGP address mechanisms, but not both simultaneously. Either the PIPE# or the SBA[7:0] mechanism must be selected during system initialization. High priority accesses are supported. Only memory writes from either hub interface A or hub interface B to AGP are allowed. No transactions from AGP to the hub interface are allowed.

MCH Clocking

The MCH has two clock input pins: CPUCLK for the host clock and CLK66 for the AGP clock. Clock Synthesizer chip(s) are responsible for generating the Host clocks, AGP clocks, PCI clocks, and Rambus* clocks. These clocks must be synchronous to each other.

The MCH host interface runs at 100 MHz or 133 MHz. The supported speed bins for Direct RDRAM devices are 300 MHz and 400 MHz. The AGP interface runs at a constant 66 MHz. The hub interface interfaces run at the same base frequency as the AGP interface.

1.3. Terminology

Term	Description
MCH	The 82840 Memory Controller Hub component that contains the processor interface, DRAM controller, PCI-64 bridge and AGP interface. It communicates with the 82840 I/O controller hub (ICH) and the 64 bit PCI bus hub (P64H) over a private interconnect called "hub interface".
ICH	The 82801AA IO Controller Hub component that contains the primary PCI interface, LPC interface, USB, ATA-66, and other IO functions. The ICH communicates with the MCH over a private interconnect called hub interface.
P64H	The 82806AA Bus Controller Hub component that contains a 64-bit, 66 MHz PCI interface.
Host	This term is used synonymously with processor.
Core	The internal base logic in the MCH.
Hub Interface	The private interconnect that ties the MCH to the ICH and/or P64H. In this document hub interface cycles originating from or destined for the primary PCI interface on the ICH are generally referred to as hub interface A cycles. Cycles originating from or destined for any target on the secondary hub interfaces are described as hub interface B cycles.
Accelerated Graphics Port (AGP)	The AGP interface in the MCH. The MCH supports a subset of 3.3V, 66 MHz components, 3.3V 66/133 MHz AGP 2.0 compliant components, and the new 1.5V 66/266 MHz components. PIPE# and SBA addressing cycles and their associated data phases are generally referred to as AGP transactions.
RSL	Rambus* Signaling Level is the name of the signaling technology used by Rambus*.

Term	Description
Single Channel-pair Mode	In this mode, the 82840 MCH is configured to directly support RDRAM devices on its dual Rambus* channel. There is no MRH-R used on the memory subsystem.
Multiple Channel-pair Mode	In this mode, the 82840 MCH is configured to use MRH-R on the memory subsystem. Each Rambus* channel of the MRH-R on the MCH Direct Rambus* Interface A matches with one Rambus* channel of the MRH-R on the Direct Rambus* Interface B.
Single Device-pair	In the single channel-pair mode, the 82840 MCH is configured to directly support RDRAM devices on its dual Rambus* channel. Each RDRAM device of the MCH Direct Rambus* Interface A matches with one RDRAM device of the Direct Rambus* Interface B. There is no MRH-R used on the memory subsystem.
Multiple Device-pair	In the multiple channel-pair mode, the 82840 MCH is configured to use MRH-R on the memory subsystem. Each RDRAM device on Direct Rambus* Interface A matches with one RDRAM device on the Direct Rambus* Interface B.

This page is left intentionally blank.

2. Signal Description

This section provides a detailed description of MCH signals. The signals are arranged in functional groups according to their associated interface.

The “#” symbol at the end of a signal name indicates that the active, or asserted state occurs when the signal is at a low voltage level. When “#” is not present after the signal name the signal is asserted when at the high voltage level.

The following notations are used to describe the signal type:

- I** Input pin
- O** Output pin
- I/O** Bi-directional Input/Output pin
- s/t/s** Sustained Tristate. This pin is driven to its inactive state prior to tri-stating.
- as/t/s** Active Sustained Tristate. This applies to some of the hub interface signals. This pin is weakly driven to its last driven value.

The signal description also includes the type of buffer used for the particular signal:

- GTL+** Open Drain GTL+ interface signal. Refer to the GTL+ I/O Specification for complete details.
- AGP** AGP interface signals. These signals can be programmed to be compatible with AGP 2.0 3.3v or 1.5v Signaling Environment DC and AC Specifications. In 3.3v mode the buffers are not 5v tolerant. In 1.5v mode the buffers are not 3.3v tolerant.
- CMOS** CMOS buffers.
- RSL** Rambus* Signaling Level interface signal.

2.1. Host Interface Signals

Name	Type	Description
ADS#	I/O GTL+	Address Strobe: The PROCESSOR bus owner asserts ADS# to indicate the first of two cycles of a request phase.
AP[1:0]#	I/O GTL+	Address Parity: AP[1:0]# provide parity over the address signals. AP1# covers HA[35:24]#; AP0# covers HA[23:3]#. These signals must be valid for two clocks beginning when ADS# is asserted.
BERR#	I/O GTL+	Bus Error: The BERR# signal is asserted to indicate an unrecoverable error without a bus protocol violation.
BNR#	I/O GTL+	Block Next Request: Used to block the current request bus owner from issuing a new requests. This signal is used to dynamically control the PROCESSOR bus pipeline depth.
BREQ0#	O GTL+	Symmetric Agent Bus Request: Asserted by the MCH when CPURST# is asserted to configure the symmetric bus agents. The BREQ0# is negated 2 host clocks after CPURST# is negated.
BPRI#	O GTL+	Priority Agent Bus Request: The MCH is the only Priority Agent on the PROCESSOR bus. It asserts this signal to obtain the ownership of the address bus. This signal has priority over symmetric bus requests and causes the current symmetric owner to stop issuing new transactions unless the HLOCK# signal was asserted.
CPURST#	O GTL+	CPU Reset. The CPURST# pin is an output from the MCH. The MCH asserts CPURST# while RSTIN# (PCIRST# from ICH) is asserted for approximately 1 ms after RSTIN# is deasserted. The CPURST# allows the processors to begin execution in a known state.
DBSY#	I/O GTL+	Data Bus Busy: Used by the data bus owner to hold the data bus for transfers requiring more than one cycle.
DEFER#	O GTL+	Defer: MCH generates a deferred response as defined by the rules of the MCH's dynamic defer policy. The MCH also uses the DEFER# signal to indicate a processor retry response.
DEP[7:0]#	I/O GTL+	Host ECC: The DEP[7:0]# signals are driven during the Data Phase by the agent responsible for driving HD[63:0]#. The DEP[7:0]# signals provide ECC protection for the signals on the data bus.
DRDY#	I/O GTL+	Data Ready: Asserted for each cycle that data is transferred.
HA[35:3]#	I/O GTL+	Host Address Bus: HA[35:3]# connect to the processor address bus. During processor cycles, HA[35:3]# are inputs. The MCH drives HA[35:3]# during snoop cycles on behalf of hub interface and AGP FRAME# initiators. Note that the address is inverted on the processor bus.
HD[63:0]#	I/O GTL+	Host Data: These signals are connected to the processor data bus. Note that the data signals are inverted on the processor bus.
HIT#	I/O GTL+	Hit: Indicates that a caching agent is retaining an unmodified version of the requested line. HIT# is also driven in conjunction with HITM# by the target to extend the snoop window.
HITM#	I/O GTL+	Hit Modified: Indicates that a caching agent holds a modified version of the requested line and that this agent assumes responsibility for providing the line. Also, driven in conjunction with HIT# to extend the snoop window.

Name	Type	Description																		
HLOCK#	I GTL+	Host Lock: All processor bus cycles sampled with the assertion of HLOCK# and ADS#, until the negation of HLOCK# must be atomic (i.e., no hub interface or AGP snooper access to DRAM is allowed when HLOCK# is asserted by the processor).																		
HREQ[4:0]#	I/O GTL+	Host Request Command: Asserted during both clocks of request phase. In the first clock, HREQ[4:0]# define the transaction type to a level of detail that is sufficient to begin a snoop request. In the second clock, the signals carry additional information to define the complete transaction type. The transactions supported by the MCH Host Bridge are defined in the <i>Functional Description</i> Chapter.																		
HTRDY#	O GTL+	Host Target Ready: HTRDY# indicates that the target of the processor transaction is able to enter the data transfer phase.																		
IERR#	I CMOS	Internal Error: A processor asserts IERR# when it detects an internal error unrelated to bus operation.																		
RP#	I/O GTL+	Request Parity: RP# Provides parity protection over ADS# and HREQ[4:0]#. RP# must be valid for two clocks beginning when ADS# is asserted.																		
RS[2:0]#	O GTL+	<p>Response Signals: Indicates type of response according to the following table:</p> <table border="1"> <thead> <tr> <th>RS[2:0]</th> <th>Response type</th> </tr> </thead> <tbody> <tr> <td>000</td> <td>Idle state</td> </tr> <tr> <td>001</td> <td>Retry response</td> </tr> <tr> <td>010</td> <td>Deferred response</td> </tr> <tr> <td>011</td> <td>Reserved (not driven by MCH)</td> </tr> <tr> <td>100</td> <td>Hard Failure (not driven by MCH)</td> </tr> <tr> <td>101</td> <td>No data response</td> </tr> <tr> <td>110</td> <td>Implicit Writeback</td> </tr> <tr> <td>111</td> <td>Normal data response</td> </tr> </tbody> </table>	RS[2:0]	Response type	000	Idle state	001	Retry response	010	Deferred response	011	Reserved (not driven by MCH)	100	Hard Failure (not driven by MCH)	101	No data response	110	Implicit Writeback	111	Normal data response
RS[2:0]	Response type																			
000	Idle state																			
001	Retry response																			
010	Deferred response																			
011	Reserved (not driven by MCH)																			
100	Hard Failure (not driven by MCH)																			
101	No data response																			
110	Implicit Writeback																			
111	Normal data response																			
RSP#	O GTL+	Response Parity: RSP# is always driven by the 82840 MCH and must be valid on all clocks. Response parity is correct if there are an even number of low signals in the set consisting of the RS[2:0]# signals and the RSP# signal.																		

The following is the list of processor bus interface signals that are NOT supported by MCH.

Signal	Function	Not Support By MCH
AERR#	Address Parity Error	Error Phase response to parity error
BINIT#	Bus Initialization Signal	Rest of the host bus state machines without full MCH reset

2.2. Direct Rambus* Interface A

Signal	Type	Description
CHA_DQA[8:0]	I/O RSL	Rambus Data Byte A (CHA): Bi-directional 9-bit data bus A on the Rambus* interface A. Data signals used for read and write operations on Rambus* channel "A".
CHA_DQB[8:0]	I/O RSL	Rambus Data Byte B (CHA): Bi-directional 9-bit data bus B on the Rambus* interface A. Data signals used for read and write operations on Rambus* channel "A".
CHA_RQ[7:5]/ CHA_ROW[2:0]	O RSL	Row Access Control (CHA): Three request package pins containing control and address information for row accesses. Note that RQ_A[7:5] can also be named as ROW_A[2:0] signals.
CHA_RQ[4:0]/ CHA_COL[4:0]	O RSL	Column Access Control (CHA): Five request package pins containing control and address information for column accesses. Note that RQ_A[4:0] can also be named as COL_A[4:0] signals.
CHA_CTM	I RSL	Clock To Master (CHA): One of the two differential transmit clock signals used for RDRAM operations on Rambus* channel "A". It is an input to the MCH and is generated from an external clock synthesizer.
CHA_CTM#	I RSL	Clock To Master Compliment (CHA): One of the two differential transmit clock signals used for RDRAM operations on Rambus* channel "A". It is an input to the MCH and is generated from an external clock synthesizer.
CHA_CFM	O RSL	Clock From Master (CHA): One of the two differential receive clock signals used for RDRAM operations on Rambus* channel "A". It is an output from the MCH.
CHA_CFM#	O RSL	Clock From Master Compliment(CHA): One of the two differential receive clock signals used for RDRAM operations on Rambus* channel "A". It is an output from the MCH.
CHA_EXP[1:0]	O RSL	Expansion (CHA): These signals are used to communicate to an external Rambus* repeater on Rambus* channel "A". The repeater increases the maximum memory size supported by the MCH.
CHA_CMD	O CMOS	Command (CHA): Command output to the Rambus* devices used for power mode control, configuring the SIO daisy chain, and framing SIO operations.
CHA_SCK	O CMOS	Serial Clock (CHA): This signal provides clocking for register accesses and selects Rambus* channel "A" devices for power management.
CHA_SIO	I/O CMOS	Serial Input/Output (A): Bi-directional serial data signal used for device initialization, register operations, power mode control, and device reset.

2.3. Direct Rambus* Interface B

Signal Name	Type	Description
CHB_DQA[8:0]	I/O RSL	Rambus Data Byte A (CHB): Bi-directional 9-bit data bus A on the Rambus* interface B. Data signals used for read and write operations on Rambus* channel "A".
CHB_DQB[8:0]	I/O RSL	Rambus Data Byte B (CHB): Bi-directional 9-bit data bus B on the Rambus* interface B. Data signals used for read and write operations on Rambus* channel "A".
CHB_RQ[7:50]/ CHB_ROW[2:0]	O RSL	Row Access Control Request Control (CHB): Three request package pins containing control and address information for row accesses. Note that CHB_RQ[7:5] can also be named as CHB_ROW[2:0] signals.
CHB_RQ[4:00]/ CHB_COL[4:0]	O RSL	Column Access Control (CHB): Five request package pins containing control and address information for column accesses. Note that CHB_RQ[4:0] can also be named as CHB_COL[4:0] signals.
CHB_CTM	I RSL	Clock To Master (CHB): One of the two differential transmit clock signals used for RDRAM operations on Rambus* channel "B". CHB_CTM is an input to the MCH and is generated from an external clock synthesizer.
CHB_CTM#	I RSL	Clock To Master Compliment (CHB): One of the two differential transmit clock signals used for RDRAM operations on Rambus* channel "B". CHB_CTM# is an input to the MCH and is generated from an external clock synthesizer.
CHB_CFM	O RSL	Clock From Master (CHB): One of the two differential receive clock signals used for RDRAM operations on Rambus* channel "B". CHB_CFM is an output from the MCH.
CHB_CFM#	O RSL	Clock From Master Compliment (CHB): One of the two differential receive clock signals used for RDRAM operations on Rambus* channel "B". CHB_CFM# is an output from the MCH.
CHB_EXP[1:0]	O RSL	Expansion (CHB): These signals are used to communicate to an external Rambus* repeater on Rambus* channel "B". The repeater increases the maximum memory size supported by the MCH.
CHB_CMD	O CMOS	Command (CHB): Command output to the Rambus* devices used for power mode control, configuring the SIO daisy chain, and framing SIO operations.
CHB_SCK	O CMOS	Serial Clock (CHB): This signal provides clocking for register accesses and selects Rambus* channel "B" devices for power management.
CHB_SIO	I/O CMOS	Serial Input/Output (CHB): Serial Input/Output A: Bi-directional serial data signal used for device initialization, register operations, power mode control, and device reset.

2.4. Hub Interface A Signals

Name	Type	Description
HLA_STB	I/O CMOS	Hub interface A Strobe. One of two differential strobe signals used to transmit or receive packet data over hub interface A.
HLA_STB#	I/O CMOS	Hub interface A Strobe Compliment. One of two differential strobe signals used to transmit or receive packet data over hub interface A.
HLA[11:0]	I/O CMOS	Hub interface A Signals: Signals used for the hub interface.
HLAZCOMP	I/O CMOS	Impedance Compensation for hub interface A: This signal is used to calibrate the hub interface A I/O buffers. This signal pin must be connected to a PCB trace representative of the hub interface A data signal traces but sufficiently long to present a long shelf before signal reflection occurs. The hub interface A buffers are calibrated based on the measured shelf voltage.

2.5. Hub interface B Signals

Name	Type	Description
HLB_STB[1:0]	I/O CMOS	Hub interface B Strobe: One of two differential strobe signals used to transmit or receive packet data over hub interface B.
HLB_STB[1:0]#	I/O CMOS	Hub interface B Strobe Compliment: One of two differential strobe signals used to transmit or receive packet data over hub interface B.
HLB[19:0]	I/O CMOS	Hub interface B Signals: Signals used for the hub interface.
HLBRCOMP	I/O CMOS	Resistor Compensation for hub interface B: HLBRCOMP is used to calibrate the hub interface B I/O buffers. This signal pin must be connected to an external resistor to ground with the value $Z0/2$. $Z0$ is the PCB trace impedance used on the hub interface B.

2.6. AGP Interface Signals

For more details on the operation of these signals, refer to the *AGP Interface Specification, Revision 2.0*.

2.6.1. AGP Addressing Signals

There are two mechanisms the AGP master can use to enqueue AGP requests: PIPE# and SBA (side-band addressing). Upon initialization, one of the methods is chosen. The master may not switch methods without a full reset of the system. When PIPE# is used to enqueue addresses, the master is not allowed to queue addresses using the SBA bus. For example, during configuration time, if the master indicates that it can use either mechanism, the configuration software will indicate which mechanism the master will use. Once this choice has been made, the master continues to use the mechanism selected until the system is reset (and reprogrammed) to use the other mode. This change of modes is not a dynamic mechanism but rather a static decision when the device is first being configured after reset.

Name	Type	Description
PIPE#	I AGP	<p>Pipeline:</p> <p>PIPE# Operation: This signal is asserted by the AGP master to indicate a full-width address is to be enqueued on by the target using the AD bus. One address is placed in the AGP request queue on each rising clock edge while PIPE# is asserted.</p> <p>SBA Operation: This signal is not used if SBA (Side Band Addressing) is selected.</p> <p>FRAME# Operation: This signal is not used during AGP FRAME# operation.</p>
SBA[7:0]	I AGP	<p>Side-band Addressing:</p> <p>PIPE# Operation: These signals are not used during PIPE# operation.</p> <p>SBA Operation: These signals (the SBA, or side-band addressing, bus) are used by the AGP master (graphics component) to place addresses into the AGP request queue. The SBA bus and AD bus operate independently. That is, transaction can proceed on the SBA bus and the AD bus simultaneously.</p> <p>FRAME# Operation: These signals are not used during AGP FRAME# operation.</p>

2.6.2. AGP Flow Control Signals

Name	Type	Description
RBF#	I AGP	<p>Receive Buffer Full:</p> <p>PIPE# and SBA Operation: Read buffer full indicates if the master is ready to accept previously requested low priority read data. When RBF# is asserted, the MCH is not allowed to initiate the return low priority read data. Thus, the MCH can finish returning the data for the request currently being serviced; however, it can not begin returning data for the next request. RBF# is only sampled at the beginning of a cycle.</p> <p>If the AGP master is always ready to accept return read data, it is not required to implement this signal.</p> <p>FRAME# Operation: This signal is not used during AGP FRAME# operation.</p>
WBF#	I AGP	<p>Write-Buffer Full:</p> <p>PIPE# and SBA Operation: Write buffer full indicates if the master is ready to accept Fast Write data from the MCH. When WBF# is asserted, the MCH is not allowed to drive Fast Write data to the AGP master. WBF# is only sampled at the beginning of a cycle.</p> <p>If the AGP master is always ready to accept fast write data, it is not required to implement this signal.</p> <p>FRAME# Operation: This signal is not used during AGP FRAME# operation.</p>

2.6.3. AGP Status Signals

Name	Type	Description
ST[2:0]	O AGP	<p>Status Bus:</p> <p>PIPE# and SBA Operation: These signals provide information from the arbiter to a AGP Master on what it may do. ST[2:0] only have meaning to the master when its GNT# is asserted. When GNT# is deasserted, these signals have no meaning and must be ignored. Refer to the <i>AGP Interface Specificaiton</i>, revision 2.0 for further explanation of the ST[2:0] values and their meanings.</p> <p>FRAME# Operation: These signals are not used during FRAME# based operation; except that a '111' indicates that the master may begin a FRAME# transaction.</p> <p>An external 8.2 KΩ pullup to Vddq is required on each ST[2:0] signal, except ST0. An external 1 KΩ pulldown is needed on ST0 for enabling Host Bus ECC generation.</p>

2.6.4. AGP Clocking Signals—Strobes

Name	Type	Description
AD_STB0	I/O s/t/s AGP	<p>AD Bus Strobe-0:</p> <p>1X Operation: This signal is not used during 1X operation.</p> <p>2X Operation: During 2X operation, this signal provides timing for the AD[15:0] and C/BE[1:0]# signals. The agent that is providing the data will drive this signal.</p> <p>4X Operation: During 4X operation, this is one-half of a differential strobe pair that provides timing information for the AD[15:0] and C/BE[1:0]# signals.</p>
AD_STB0#	I/O s/t/s AGP	<p>AD Bus Strobe-0 Compliment:</p> <p>1X Operation: This signal is not used during 1X operation.</p> <p>2X Operation: During 2X operation, this signal is not used.</p> <p>4X Operation: During 4X operation, this is one-half of a differential strobe pair that provides timing information for the AD[15:0] and C/BE[1:0]# signals. The agent that is providing the data will drive this signal.</p>
AD_STB1	I/O s/t/s AGP	<p>AD Bus Strobe-1:</p> <p>1X Operation: This signal is not used during 1X operation.</p> <p>2X Operation: During 2X operation, this signal provides timing for the AD[31:16] and C/BE[3:2]# signals. The agent that is providing the data will drive this signal.</p> <p>4X Operation: During 4X operation, this is one-half of a differential strobe pair that provides timing information for the AD[31:16] and C/BE[3:2]# signals. The agent that is providing the data will drive this signal.</p>
AD_STB1#	I/O s/t/s AGP	<p>AD Bus Strobe-1 Compliment:</p> <p>1X Operation: This signal is not used during 1X operation.</p> <p>2X Operation: During 2X operation, this signal is not used.</p> <p>4X Operation: During 4X operation, this is one-half of a differential strobe pair that provides timing information for the AD[16:31] and C/BE[2:3]# signals. The agent that is providing the data will drive this signal.</p>

Name	Type	Description
SB_STB	I AGP	SBA Bus Strobe: 1X Operation: This signal is not used during 1X operation. 2X Operation: During 2X operation, this signal provides timing for the SBA bus signals. The agent that is driving the SBA bus will drive this signal. 4X Operation: During 4X operation, this is one-half of a differential strobe pair that provides timing information for the SBA bus signals. The agent that is driving the SBA bus will drive this signal.
SB_STB#	I AGP	SBA Bus Strobe Compliment: 1X Operation: This signal is not used during 1X operation. 2X Operation: During 2X operation, this signal is not used. 4X Operation: During 4X operation, this is one-half of a differential strobe pair that provides timing information for the SBA bus signals. The agent that is driving the SBA bus will drive this signal.

2.6.5. AGP FRAME# Signals

For transactions on the AGP interface carried using AGP FRAME# protocol, these signals operate similar to their semantics in the PCI 2.1 specification. The exact role of all AGP FRAME# signals are defined below.

Name	Type	Description
G_FRAME#	I/O s/t/s AGP	FRAME: PIPE# and SBA Operation: Not used by AGP SBA and PIPE#, but used during AGP FRAME# . Fast Write Operation: G_FRAME# is used to frame transactions as an output from the MCH during Fast Writes. FRAME# Operation: G_FRAME# is an output when the MCH acts as an initiator on the AGP Interface. G_FRAME# is asserted by the MCH to indicate the beginning and duration of an access. G_FRAME# is an input when the MCH acts as a FRAME# based AGP target. As a FRAME# based AGP target, the MCH latches the C/BE[3:0]# and the AD[31:0] signals on the first clock edge on which it samples FRAME# active.
G_IRDY#	I/O s/t/s AGP	Initiator Ready: PIPE# and SBA Operation: Not used while enqueueing requests via AGP SBA and PIPE#, but used during the data phase of PIPE# and SBA transactions. FRAME# Operation: G_IRDY# is an output when MCH acts as a FRAME# based AGP initiator and an input when the MCH acts as a FRAME# based AGP target. The assertion of G_IRDY# indicates the current FRAME# based AGP bus initiator's ability to complete the current data phase of the transaction. Fast Write Operation: G_IRDY# indicates the AGP compliant master is ready to provide all write data for the current transaction. Once G_IRDY# is asserted for a write operation, the master is not allowed to insert wait states. The master is <i>never</i> allowed to insert a wait state during the initial data transfer (32 bytes) of a write transaction. However, it may insert wait states after each 32 byte block is transferred.

Name	Type	Description
G_TRDY#	I/O s/t/s AGP	<p>Target Ready:</p> <p>PIPE# and SBA Operation: Not used while enqueueing requests via AGP SBA and PIPE#, but used during the data phase of PIPE# and SBA transactions.</p> <p>FRAME# Operation: G_TRDY# is an input when the MCH acts as an AGP initiator and an output when the MCH acts as a FRAME# based AGP target. The assertion of G_TRDY# indicates the target's ability to complete the current data phase of the transaction.</p> <p>Fast Write Operation: G_TRDY# indicates the AGP compliant target is ready to receive write data for the entire transaction (when the transfer size is less than or equal to 32 bytes) or is ready to transfer the initial or subsequent block (32 bytes) of data when the transfer size is greater than 32 bytes. The target is allowed to insert wait states after each block (32 bytes) is transferred on write transactions.</p>
G_STOP#	I/O s/t/s AGP	<p>Stop:</p> <p>PIPE# and SBA Operation: This signal is not used during PIPE# or SBA operation.</p> <p>FRAME# Operation: STOP# is an input when the MCH acts as a FRAME# based AGP initiator and an output when the MCH acts as a FRAME# based AGP target. STOP# is used for disconnect, retry, and abort sequences on the AGP interface.</p>
G_DEVSEL#	I/O s/t/s AGP	<p>Device Select:</p> <p>PIPE# and SBA Operation: This signal is not used during PIPE# or SBA operation.</p> <p>FRAME# Operation: DEVSEL#, when asserted, indicates that a FRAME# based AGP target device has decoded its address as the target of the current access. The MCH asserts DEVSEL# based on the DRAM address range being accessed by a PCI initiator. As an input it indicates whether any device on the bus has been selected.</p> <p>Fast Write Operation: G_DEVSEL# is used when the transaction cannot complete during the block data transfer</p>
G_REQ#	I AGP	<p>Request:</p> <p>SBA Operation: This signal is not used during PIPE# or SBA operation.</p> <p>PIPE# and FRAME# Operation: REQ#, when asserted, indicates that a FRAME# or PIPE# based AGP master is requesting use of the AGP interface. This signal is an input into the MCH.</p>
G_GNT#	O AGP	<p>Grant:</p> <p>SBA, PIPE# and FRAME# Operation: GNT# along with the information on the ST[2:0] signals (status bus) indicates how the AGP interface will be used next. Refer to the <i>AGP Interface Specification</i>, revision 2.0 for further explanation of the ST[2:0] values and their meanings.</p>
G_AD[31:0]	I/O AGP	<p>Address/Data Bus:</p> <p>PIPE# and FRAME# Operation: AD[31:0] are used to transfer both address and data information on the AGP interface.</p> <p>SBA Operation: AD[31:0] are used to transfer data on the AGP interface.</p>

Name	Type	Description
G_C/BE[3:0]#	I/O AGP	<p>Command/Byte Enable:</p> <p>FRAME# Operation: During the address phase of a transaction, C/BE[3:0]# define the bus command. During the data phase, C/BE[3:0]# are used as byte enables. The byte enables determine which byte lanes carry meaningful data. The commands issued on the C/BEx# signals during FRAME# based AGP are the same C/BEx# command described in the PCI 2.1 specification.</p> <p>PIPE# Operation: When an address is enqueued using PIPE#, the C/BEx# signals carry command information. Refer to the AGP 2.0 Interface Specification Revision 2.0 for the definition of these commands. The command encoding used during PIPE# based AGP is Different than the command encoding used during FRAME# based AGP cycles (or standard PCI cycles on a PCI bus).</p> <p>SBA Operation: These signals are not used during SBA operation.</p>
G_PAR	I/O AGP	<p>Parity:</p> <p>FRAME# Operation: G_PAR is driven by the MCH when it acts as a FRAME# based AGP initiator during address and data phases for a write cycle, and during the address phase for a read cycle. PAR is driven by the MCH when it acts as a FRAME# based AGP target during each data phase of a FRAME# based AGP memory read cycle. Even parity is generated across AD[31:0] and C/BE[3:0]#.</p> <p>SBA and PIPE# Operation: This signal is not used during SBA and PIPE# operation.</p>
G_SERR#	I AGP	<p>System Error: G_SERR# can be pulsed to report a system error condition. Upon sampling G_SERR# active, the MCH can generate a hub interface SERR cycle to the ICH.</p>

NOTES:

1. PCIRST# from the ICH is connected to RSTIN# and is used to reset AGP interface logic within the MCH. The AGP agent will also use PCIRST# provided by the ICH as an input to reset its internal logic.
2. The LOCK# Signal is NOT supported on the AGP interface, even for FRAME based AGP operations.
3. The PERR# Signal is NOT supported on the AGP interface.

2.7. Clocks, Reset, and Miscellaneous

Name	Type	Description
CPUCLK	I CMOS	<p>Host Clock In: CPUCLK receives a buffered host clock from the external clock synthesizer. This clock is used by all of the MCH logic that is in the Host clock domain.</p> <p>Note that the clock synthesizer drives this signal to 2.5V.</p>
CLK66	I CMOS	<p>66MHz Clock In: CLK66 receives a buffered clock from the clock synthesizer that is synchronously derived from the host clock. This clock is used by all of the MCH logic that is in the AGP clock domain.</p> <p>Note that the clock synthesizer drives this signal to 3.3V, and this input is 3.3V tolerant.</p>
RCLKOUT[A,B]	O CMOS	<p>Rambus Clock Out: RCLKOUT[A,B] provide divided down versions of the Rambus* clock as feedback to the Rambus* clock synthesizers for phase alignment.</p> <p>Note that this pin will only be driven to 1.8V.</p>
HCLKOUT[A,B]	O CMOS	<p>Host Clock Out: HCLKOUT[A,B] provide divided down versions of the host clock as feedback to the Rambus* clock synthesizers for phase alignment.</p> <p>Note that this pin will only be driven to 1.8V.</p>

Name	Type	Description
RSTIN#	I CMOS	Reset In: When asserted, RSTIN# asynchronously resets the MCH logic. This signal is connected to the PCIRST# output of the ICH. All AGP output and bi-directional signals will also tri-state compliant to PCI Rev 2.0 and 2.1 specifications. Note that this input needs to be 3.3V tolerant.
TEST#	I CMOS	Test Input: This pin is used for manufacturing and board level test purposes.
OVERT#	I CMOS	Overttemperature condition: An active low input signal generated by external hardware to indicated the overtemperature condition in the memory subsystem.

2.8. Voltage References, PLL Power

Signal Name	Description
GTLREF[A:B]	GTL Reference: Reference voltage input for the Host GTL interface.
AGPRCOMP	AGP RCOMP: AGPRCOMP is used to calibrate AGP GTL I/O buffers. This signal must be connected to a PCB trace representative of the AGP bus data signal traces but sufficiently long to present a long shelf before signal reflection occurs. The AGP buffers are calibrated based on the measured shelf voltage.
CHA_REF[1:0]	Rambus Channel A Reference: Reference voltage input for the Rambus* Channel A RSL interface.
CHB_REF[1:0]	Rambus Channel B Reference: Reference voltage input for the Rambus* Channel B RSL interface.
AGPREF	AGP Reference: Reference voltage input for the AGP interface.
HLAREF	hub interface A Reference: Reference voltage input for the hub interface.
HLBREF	hub interface B Reference: Reference voltage input for the hub interface.
VCC1_8	1.8V Power Supply: The 1.8v power input pin
VDDQ	AGP I/O Power Supply: The power supply input for the AGP I/O supply.
VTT	AGTL+ 1.5V Volatage: The GTL+ bus 1.5v termination voltage inputs.
VSS	Ground:

2.9. Strap Signals

This section provides the strap options invoked by various MCH signal pins.

Name	Definition						
HLA10	<p>Host Bus Frequency: This signal is latched on the rising edge of RSTIN#. It indicates what the host FSB frequency is to select the correct internal frequency ratios. This value can be read from the MCHCFG register. There is no internal pullup or pulldown resistor.</p> <table border="0"> <tr> <td>HLA10</td> <td>Host Bus Frequency</td> </tr> <tr> <td>0</td> <td>100 MHz</td> </tr> <tr> <td>1</td> <td>133 MHz</td> </tr> </table>	HLA10	Host Bus Frequency	0	100 MHz	1	133 MHz
HLA10	Host Bus Frequency						
0	100 MHz						
1	133 MHz						
HA7#	<p>CPU Bus In-Order Queue Depth: The value on HA7# is sampled by all host bus agents (including the MCH) on the rising edge of CPURST#. It's latched value determines the maximum IOQ depth mode supported on the host bus. If HA7# is sampled low the IOQ depth on the bus is one. If HA7# is sampled high, the IOQ depth on the bus is the maximum of eight. When the IOQ depth on the bus is set to 8, the MCH does not limit the number of queued transactions, since it supports an IOQ depth of 8.</p> <p>The MCH does not drive HA7# during CPURST#. If an IOQ depth of 1 is desired, HA7# needs to be driven low during CPURST# by external logic.</p>						
ST0	<p>Host Bus ECC Generation: ST0 is latched on the rising edge of RSTIN#. It is used to enable the data ECC protection covering HD[63:0]#. This value can be read from the HERRCTL register. There is no internal pullup or pulldown resistor.</p> <p>To strap for Host Bus ECC enabled, a 1 KΩ pulldown should be connected to ST0. ST0 should have a 8.2 KΩ external pullup resistor to Vddq to disable the Hot Bus ECC generation.</p> <table border="0"> <tr> <td>ST0</td> <td>ECC Generation on DEP[7:0]#</td> </tr> <tr> <td>0</td> <td>Enable (external 1 KΩ pulldown)</td> </tr> <tr> <td>1</td> <td>Disable (external 8.2 KΩ pullup)</td> </tr> </table>	ST0	ECC Generation on DEP[7:0]#	0	Enable (external 1 K Ω pulldown)	1	Disable (external 8.2 K Ω pullup)
ST0	ECC Generation on DEP[7:0]#						
0	Enable (external 1 K Ω pulldown)						
1	Disable (external 8.2 K Ω pullup)						

This page is left intentionally blank.

3. Register Description

This chapter describes the MCH PCI configuration registers. A detailed bit description is provided. The MCH contains two sets of software accessible registers, accessed via the Host I/O address space:

- Control registers I/O mapped into the host I/O space, which control access to PCI and AGP configuration space (see section entitled I/O Mapped Registers)
- Internal configuration registers residing within the MCH are partitioned into two logical device register sets (“logical” since they reside within a single physical device). The first register set is dedicated to Host-Hub interface Bridge/DRAM Controller functionality (controls PCI_A i.e. DRAM configuration, other chip-set operating parameters and optional features). The second register block is dedicated to Host-AGP Bridge functions (controls AGP interface configurations and operating parameters).

The MCH supports PCI configuration space accesses using the mechanism denoted as Configuration Mechanism #1 in the PCI specification.

The MCH internal registers (both I/O Mapped and Configuration registers) are accessible by the host. The registers can be accessed as Byte, Word (16-bit), or DWord (32-bit) quantities, with the exception of CONF_ADDR which can only be accessed as a Dword. All multi-byte numeric fields use “little-endian” ordering (i.e., lower addresses contain the least significant parts of the field).

3.1. Register Nomenclature and Access Attributes

Symbol	Description
RO	Read Only. If a register is read only, writes to this register have no effect.
R/W	Read/Write. A register with this attribute can be read and written
R/W/L	Read/Write/Lock. A register with this attribute can be read, written, and Lock.
R/WC	Read/Write Clear. A register bit with this attribute can be read and written. However, a write of a 1 clears (sets to 0) the corresponding bit and a write of a 0 has no effect.
R/WO	Read/Write Once. A register bit with this attribute can be written to only once after power up. After the first write, the bit becomes read only.
L	Lock. A register bit with this attribute becomes Read Only after a lock bit is set.
Reserved Bits	Software must deal correctly with fields that are reserved. On reads, software must use appropriate masks to extract the defined bits and not rely on reserved bits being any particular value. On writes, software must ensure that the values of reserved bit positions are preserved. That is, the values of reserved bit positions must first be read, merged with the new values for other bit positions and then written back. Note that software does not need to perform read, merge, write operation for the configuration address register.

Symbol	Description
--------	-------------

Reserved Registers	In addition to reserved bits within a register, the MCH contains address locations in the configuration space of the Host-hub interface A Bridge/DRAM Controller, Host-AGP Bridge and Host-Hub interface B Bridge entities that are marked “Reserved”. When a “Reserved” register location is read, a random value can be returned. (“Reserved” registers can be 8-, 16-, or 32-bit in size). Registers that are marked “Reserved” must not be modified by system software. Writes to “Reserved” registers may cause system failure.
Default Value Upon Reset	Upon a Full Reset, the MCH sets all of its internal configuration registers to predetermined default states. Upon a Partial Reset some of the MCH configuration register bits associated with DRAM configuration are not reset. These register bits are identified in the bit descriptions below. Some register values at reset are determined by external strapping options. The default state represents the minimum functionality feature set required to successfully bring up the system. Hence, it does not represent the optimal system configuration. It is the responsibility of the system initialization software (usually BIOS) to properly determine the DRAM configurations, operating parameters and optional system features that are applicable, and to program the MCH registers accordingly.

3.2. PCI Configuration Space Access

The MCH and the ICH are physically connected by hub interface A. From a configuration standpoint, hub interface A is logically PCI bus #0. As a result, all devices internal to the MCH and ICH appear to be on PCI bus #0. The system’s primary PCI expansion bus is physically attached to the ICH and, from a configuration perspective, appears to be a hierarchical PCI bus behind a PCI-to-PCI bridge and, therefore, has a programmable PCI Bus number.

Note: The primary PCI bus is referred to as PCI_A in this document and is not PCI bus #0 from a configuration standpoint. The secondary hub interface port appears to system software to be a real PCI bus behind a PCI-to-PCI bridge resident as device 2 on PCI bus #0.

The MCH contains three PCI devices within a single physical component. The configuration registers for devices 0, 1, and 2 are mapped as devices residing on PCI bus #0.

- **Device 0: Host-hub interface A Bridge/DRAM Controller.** Logically this appears as a PCI device residing on PCI bus #0. Physically Device 0 contains the standard PCI registers, DRAM registers, the Graphics Aperture controller, and other MCH specific registers.
- **Device 1: Host-AGP Bridge.** Logically this appears as a “virtual” PCI-to-PCI bridge residing on PCI bus #0. Physically Device 1 contains the standard PCI-to-PCI bridge registers and the standard AGP configuration registers (including the AGP I/O and memory address mapping).
- **Device 2 Host-hub interface B Bridge.** Logically this bridge appears to be a PCI-to-PCI bridge device residing on PCI bus #0. Physically, device 2 contains the standard PCI-to-PCI registers.

Note: A physical PCI bus #0 does not exist. The hub interface and the internal devices in the MCH and ICH logically constitute PCI Bus #0 to configuration software.

PCI Bus Configuration Mechanism

The PCI Bus defines a slot based "configuration space" that allows each device to contain up to 8 functions, with each function containing up to 256 8-bit configuration registers. The PCI specification defines two bus cycles to access the PCI configuration space: Configuration Read and Configuration Write. Memory and I/O spaces are supported directly by the processor. Configuration space is supported by a mapping mechanism implemented within the MCH. The PCI specification defines two mechanisms to access configuration space, Mechanism #1 and Mechanism #2. The MCH supports only Mechanism #1.

The configuration access mechanism makes use of the CONF_ADDR Register and CONF_DATA Register. To reference a configuration register a DWord I/O write cycle is used to place a value into CONF_ADDR that specifies:

- The PCI bus
- The device on that bus
- The function within the device
- A specific configuration register of the device function being accessed.

CONF_ADDR[31] must be 1 to enable a configuration cycle. CONF_DATA then becomes a window into the four bytes of configuration space specified by the contents of CONF_ADDR. Any read or write to CONF_DATA will result in the MCH translating the CONF_ADDR into the appropriate configuration cycle.

The MCH is responsible for translating and routing the processor I/O accesses to the CONF_ADDR and CONF_DATA registers to internal MCH configuration registers, the hub interfaces or AGP.

Routing Configuration Accesses to Primary PCI (PCI_A), or AGP

The MCH supports three bus interfaces: hub interface A, hub interface B, and AGP. PCI configuration cycles are selectively routed to one of these interfaces. The MCH is responsible for routing PCI configuration cycles to the proper interface. PCI configuration cycles to ICH internal devices and PCI_A (including downstream devices) are routed to the ICH via the hub interface A. AGP configuration cycles are routed to AGP. PCI configuration cycles to P64H are routed to hub interface B. The AGP interface is treated as a separate PCI bus from the configuration point of view. Routing of configuration accesses to both hub interface B and AGP is controlled via the standard PCI-PCI bridge mechanism using information contained within the Primary Bus Number, the Secondary Bus Number, and the Subordinate Bus Number registers of the Host-AGP internal "virtual" PCI-PCI bridge device.

Logical PCI Bus #0 Configuration Mechanism

The MCH decodes the Bus Number (bits 23:16) and the Device Number fields of the CONF_ADDR register. If the Bus Number field of CONF_ADDR is 0 the configuration cycle is targeting a PCI Bus #0 device.

- The Host-hub interface A Bridge/DRAM Controller entity within the MCH is hardwired as Device 0 on PCI Bus #0.
- The Host-AGP Bridge entity within the MCH is hardwired as Device 1 on PCI Bus #0.
- The Host-hub interface B bridge entity within the MCH is hardwired as Device 2 on PCI Bus #0.

Configuration cycles to the MCH internal devices are confined to the MCH and not sent over the hub interface. Accesses to devices #3 to #31 will be forwarded over the hub interface A.

Primary PCI (PCI_A) and Downstream Configuration Mechanism

If the Bus Number in the CONF_ADDR is non-zero, and is less than the value programmed into both of the MCH's device 1 and device 2 Secondary Bus Number register or greater than the value programmed into the Subordinate Bus Number Register, the MCH will generate a Type 1 configuration cycle over hub interface A. The ICH compares the non-zero Bus Number with the Secondary Bus Number and Subordinate Bus Number registers of its P2P bridges to determine if the configuration cycle is meant for Primary PCI (PCI_A), or a downstream PCI bus.

AGP Bus Configuration Mechanism

From the chipset configuration perspective, AGP is seen as another PCI bus interface residing on a Secondary Bus side of the "virtual" PCI-PCI bridge referred to as the MCH Host-AGP bridge. On the Primary bus side, the "virtual" PCI-PCI bridge is attached to PCI Bus #0. Therefore the Primary Bus Number register is hardwired to "0". The "virtual" PCI-PCI bridge entity converts Type #1 PCI Bus Configuration cycles on PCI Bus #0 into Type 0 or Type 1 configuration cycles on the AGP interface. Type 1 configuration cycles on PCI Bus #0 that have a BUS NUMBER that matches the Secondary Bus Number of the MCH Host-AGP bridge will be translated into Type 0 configuration cycles on the AGP interface.

if the Bus Number is non-zero, greater than the value programmed into the Secondary Bus Number register, and less than or equal to the value programmed into the Subordinate Bus Number register, the MCH will generate a Type 1 PCI configuration cycle on AGP.

3.3. I/O Mapped Registers

The MCH contains a set of registers that reside in the host I/O address space – the Configuration Address (CONF_ADDR) Register and the Configuration Data (CONF_DATA) Register. The Configuration Address Register enables/disables the configuration space and determines what portion of configuration space is visible through the Configuration Data window.

3.3.1. CONF_ADDR—Configuration Address Register

I/O Address: 0CF8h Accessed as a DWord
 Default Value: 00000000h
 Access: Read/Write
 Size: 32 bits

CONF_ADDR is a 32 bit register accessed only when referenced as a DWord. A Byte or Word reference will "pass through" the Configuration Address Register and the hub interface onto the PCI0 bus as an I/O cycle. The CONF_ADDR register contains the Bus Number, Device Number, Function Number, and Register Number for which a subsequent configuration access is intended.

Bit	Descriptions
31	<p>Configuration Enable (CFGE): This bit controls access to PCI space.</p> <p>1 = Enable. 0 = Disable.</p>
30:24	Reserved (These bits are read only and have a value of 0).
23:16	<p>Bus Number: When the Bus Number is programmed to 00h, the target of the PCI configuration cycle is a hub interface agent (MCH, ICH, etc.).</p> <p>The configuration cycle is forwarded to hub interface A if the Bus Number is programmed to 00h and the MCH is not the target (the device number is ≥ 3).</p> <p>If the Bus Number is non-zero and matches the value programmed into the Secondary Bus Number Register of Device 1, a Type 0 PCI configuration cycle will be generated on AGP.</p> <p>If the Bus Number is non-zero, greater than the value in the Secondary Bus Number register of Device 1, and less than or equal to the value programmed into the Subordinate Bus Number Register of Device 1, a Type 1 PCI configuration cycle will be generated on AGP.</p> <p>If the Bus Number is non-zero and matches the value programmed into the Secondary Bus Number Register of Device 2, a Type 0 PCI configuration cycle will be generated on hub interface B.</p> <p>If the Bus Number is non-zero, greater than the value in the Secondary Bus Number register of Device 2, and less than or equal to the value programmed into the Subordinate Bus Number Register of Device 2, a Type 1 PCI configuration cycle will be generated on hub interface B.</p> <p>If the Bus Number is non-zero and does not fall within the ranges enumerated by Device 1 and Device 2's Secondary Bus Number or Subordinate Bus Number Register, a hub interface A Configuration Cycle is generated.</p>

Bit	Descriptions
15:11	<p>Device Number: This field selects one agent on the PCI bus selected by the Bus Number. When the Bus Number field is "00", the MCH decodes the Device Number field. The MCH is always Device Number 0 for the Host-hub interface A bridge entity, Device Number 1 for the Host-AGP entity, and Device Number 2 for the Host-hub interface B entity. Therefore, when the Bus Number =0 and the Device Number=0, 1, or 2 the internal MCH devices are selected. Note that AD11, AD12, and AD13 must not be connected to any other PCI_A bus device as IDSEL signals.</p> <p>If the Bus Number is non-zero and matches the value programmed into the Secondary Bus Number Register, a Type 0 PCI configuration cycle will be generated on AGP. The MCH decodes the Device Number field [15:11] and asserts the appropriate GAD signal as an IDSEL. For PCI-to-PCI Bridge translation, one of 16 IDSELS are generated. When bit [15] = 0, bits [14:11] are decoded to assert a single AD[31:16] IDSEL. GAD16 is asserted to access Device 0, GAD17 for Device 1, and so forth up to Device 16 which asserts AD31. All device numbers higher than 16 cause a type 0 configuration access with no IDSEL asserted, which results in a Master Abort reported in the MCH's "virtual" PCI-PCI bridge registers.</p> <p>For Bus Numbers resulting in hub interface A or hub interface B configuration cycles, the MCH propagates the Device Number field as A[15:11].</p>
10:8	<p>Function Number: This field is mapped to GAD[10:8] during AGP Configuration cycles and A[10:8] during hub interface A or hub interface B configuration cycles. This allows the configuration registers of a particular function in a multi-function device to be accessed. The MCH ignores configuration cycles to it's two internal devices if the function number is not equal to 0.</p>
7:2	<p>Register Number: This field selects one register within a particular Bus, Device, and Function as specified by the other fields in the Configuration Address Register. This field is mapped to GAD[7:2] during AGP Configuration cycles and A[7:2] during hub interface A or hub interface B Configuration cycles.</p>
1:0	Reserved.

3.3.2. CONF_DATA—Configuration Data Register

I/O Address: 0CFCh
 Default Value: 00000000h
 Access: Read/Write
 Size: 32 bits

CONF_DATA is a 32 bit read/write window into configuration space. The portion of configuration space that is referenced by CONF_DATA is determined by the contents of CONF_ADDR.

Bit	Descriptions
31:0	<p>Configuration Data Window (CDW): If bit 31 of CONF_ADDR is 1, any I/O access to the CONF_DATA register will be mapped to configuration space using the contents of CONF_ADDR.</p>

3.4. Host-Hub interface A Bridge/DRAM Controller Device Registers (Device 0)

An “s” in the Default Value field means that the power-up default value for that bit is determined by a strap.

Table 2. MCH Configuration Space (Device 0)

Address Offset	Symbol	Register Name	Default	Access
00–01h	VID	Vendor Identification	8086h	RO
02–03h	DID	Device Identification	1A21h	RO
04–05h	PCICMD	PCI Command	0006h	R/W
06–07h	PCISTS	PCI Status	0090h/0080h	RO, R/WC
08h	RID	Revision Identification	00h	RO
0Ah	SUBC	Sub-Class Code	00h	RO
0Bh	BCC	Base Class Code	06h	RO
0Dh	MLT	Master Latency Timer	00h	R/W
0Eh	HDR	Header Type	00h	R/W
10–13h	APBASE	Aperture Base Configuration	00000008h	R/W
2C–2Dh	SVID	Subsystem Vendor Identification	0000h	R/WO
2E–2Fh	SID	Subsystem Identification	0000h	R/WO
34h	CAPPTR	Capabilities Pointer	A0h / 00h	RO
40–4Fh	GAR[0:15]	RDRAM Group Architecture Register [15:0]	80h	R/W
50–51h	MCHCFG	MCH Configuration	00ss00000000 0s00b	R/WO,R/W
52–57h	—	Reserved	—	—
58h	FDHC	Fixed DRAM Hole Control	00h	R/W
59–5Fh	PAM[0:6]	Programmable Attribute Map [0:6]	00h	R/W
60–61h	GBA0	RDRAM Group Boundary Address 0	0001h	R/W
62–63h	GBA1	RDRAM Group Boundary Address 1	0001h	R/W
64–65h	GBA2	RDRAM Group Boundary Address 2	0001h	R/W
66–67h	GBA3	RDRAM Group Boundary Address 3	0001h	R/W
68–69h	GBA4	RDRAM Group Boundary Address 4	0001h	R/W
6A–6Bh	GBA5	RDRAM Group Boundary Address 5	0001h	R/W
6C–6Dh	GBA6	RDRAM Group Boundary Address 6	0001h	R/W
6E–6Fh	GBA7	RDRAM Group Boundary Address 7	0001h	R/W
70–71h	GBA8	RDRAM Group Boundary Address 8	0001h	R/W
72–73h	GBA9	RDRAM Group Boundary Address 9	0001h	R/W

Address Offset	Symbol	Register Name	Default	Access
74–75h	GBA10	RDRAM Group Boundary Address A	0001h	R/W
76–77h	GBA11	RDRAM Group Boundary Address B	0001h	R/W
78–79h	GBA12	RDRAM Group Boundary Address C	0001h	R/W
7A–7Bh	GBA13	RDRAM Group Boundary Address D	0001h	R/W
7C–7Dh	GBA14	RDRAM Group Boundary Address E	0001h	R/W
7E–7Fh	GBA15	RDRAM Group Boundary Address F	0001h	R/W
80–87h	—	Reserved	—	—
88h	RDPS	RDRAM Pool Sizing Register	10h	R/W
89–8Fh	—	Reserved	—	—
90–93h	DRD	RDRAM Device Register Data	0000h	R/W
94–97h	RICM or	RDRAM Initialization Control Management	0000_0000h	R/W
94–96h	—	Reserved	—	—
98–9Ch	—	Reserved	—	—
9Dh	SMRAM	System Management RAM Control	02h	R/W
9Eh	ESMRAMC	Extended System Management RAM Control	38h	R/W
9Fh	—	Reserved	—	—
A0–A3h	ACAPID	AGP Capability Identifier	00200002h /00000000h	RO
A4–A7h	AGPSTAT	AGP Status Register	1F000217h	RO
A8–ABh	AGPCMD	AGP Command Register	00000000h	RW
AC–AFh	—	Reserved	—	—
B0–B3h	AGPCTRL	AGP Control Register	00000000h	R/W
B4h	APSIZE	Aperture Size	00h	R/W
B5–B7h	—	Reserved	—	—
B8–BBh	ATTBASE	Aperture Translation Table	00000000h	R/W
BCh	AMTT	AGP MTT Control Register	00h	R/W
BDh	LPTT	AGP Low Priority Transaction Timer Reg.	00h	R/W
BEh	RDT	RDRAM Timing	00h	R/W
BFh	DRAMRC	RDRAM Refresh Control	00h	R/W
C0–C3h	—	Reserved	—	—
C4–C5h	TOM	Top of Low Memory	0000h	R/W
C6–C7h	—	Reserved	0000h	—
C8–C9h	ERRSTS	Error Status Register	0000h	R/WC
CA–CBh	ERRCMD	Error Command Register	0000h	R/W
CC–CDh	SMICMD	SMI Command Register	0000h	R/W
CE–CFh	SCICMD	SCI Command Register	0000h	R/W

Address Offset	Symbol	Register Name	Default	Access
D0-DDh	—	Reserved	—	—
DE-DFh	SKPD	Scratchpad Data	0000h	R/W
E0-E1h	HERRCTL_STS	Host Error Control/Status	0000h	R/W, R/WC
E2-E3h	DERRCTL_STS	DRAM ERROR Control/Status	0000h	R/W, R/WC
E4-E7h	EAP	Error Address Pointer	0000h	R/W
E8-EBh	AGPBCTRL	AGP Buffer Strength Control	0000h	R/W
EC-F5h	—	Reserved	—	—
F6	AGPAPPEND	AGP Append Disable	00h	R/W
F7	GTLNCLAMP	GTL N Clamp Disable	00h	R/W
F8-FFh	—	Reserved	—	—

3.4.1. VID—Vendor Identification Register (Device 0)

Address Offset: 00–01h
Default Value: 8086h
Attribute: Read Only
Size: 16 bits

The VID Register contains the vendor identification number. This 16-bit register combined with the Device Identification Register uniquely identify any PCI device. Writes to this register have no effect.

Bit	Description
15:0	Vendor Identification Number. This is a 16-bit value assigned to Intel. Intel VID = 8086h.

3.4.2. DID—Device Identification Register (Device 0)

Address Offset: 02–03h
Default Value: 1A21h
Attribute: Read Only
Size: 16 bits

This 16-bit register combined with the Vendor Identification register uniquely identifies any PCI device. Writes to this register have no effect.

Bit	Description
15:0	Device Identification Number. This is a 16 bit value assigned to the MCH Host-hub interface A Bridge/DRAM Controller Function #0. DID = 1A21h for the MCH device 0.

3.4.3. PCICMD—PCI Command Register (Device 0)

Address Offset: 04–05h
 Default: 0006h
 Access: Read/Write, Read Only
 Size: 16 bits

Since MCH Device 0 does not physically reside on PCI0 many of the bits are not implemented. Writes to Not Implemented bits have no affect.

Bit	Descriptions
15:10	Reserved.
9	Fast Back-to-Back—RO: (Not Implemented). Hardwired to 0. This bit controls whether or not the master can do fast back-to-back writes. Since Device 0 is strictly a target, this bit is not implemented.
8	<p>SERR Enable (SERRE)—R/W: This bit is a global enable bit for Device 0 SERR messaging. The MCH does not have an SERR# signal. The MCH communicates the SERR# condition by sending a SERR message to the ICH.</p> <p>1 = Enable. The MCH is enabled to generate SERR messages over the hub interface for specific Device 0 error conditions that are individually enabled in the ERRCMD register. The error status is reported in the ERRSTS and PCISTS registers.</p> <p>0 = The SERR message is not generated by the MCH for Device 0.</p> <p>NOTE: This bit only controls SERR message for the Device 0. Devices 1 and 2 have their own SERRE bits to control error reporting for error conditions occurring on their respective devices.</p>
7	Address/Data Stepping—RO: (Not Implemented). Hardwired to 0. Address/data stepping is not implemented in the MCH.
6	<p>Parity Error Enable (PERRE)—R/W:</p> <p>1 = Detection of a parity error by the MCH on the hub interface A results in an SERR message being sent to the ICH, if the SERRE bit (bit 9 of this register) is also set.</p> <p>0 = Parity errors detected on hub interface A by the MCH do not result in an SERR message.</p>
5	VGA Palette Snoop—RO: (Not Implemented). Hardwired to 0.
4	Memory Write and Invalidate Enable(MWIE)—RO: (Not Implemented). Hardwired to 0.
3	Special Cycle Enable(SCE)—RO: (Not Implemented). Hardwired to 0.
2	Bus Master Enable (BME) —RO: (Not Implemented). Hardwired to 1. The MCH is always enabled as a master on hub interface A.
1	Memory Access Enable (MAE) —RO: (Not Implemented). Hardwired to 1. The MCH always allows access to main memory.
0	I/O Access Enable (IOAE)—RO: (Not Implemented). Hardwired to a 0.

3.4.4. PCISTS—PCI Status Register (Device 0)

Address Offset: 06–07h
 Default Value: 0090h
 Access: Read Only, Read/Write Clear
 Size: 16 bits

PCISTS is a 16-bit status register that reports the occurrence of error events on Device 0s on the hub interface. Bits 15:12 are read/write clear. All other bits are Read Only. Since the MCH Device 0 is the Host-to-hub interface A bridge, many of the bits are not implemented.

Bit	Descriptions
15	Detected Parity Error (DPE)—R/WC: 1 = The MCH detects a parity error on the hub interface A. 0 = Software clear this bit by writing a 1 to it.
14	Signaled System Error (SSE)—R/WC: 1 = The MCH Device 0 generates a SERR message over the hub interface A for any enabled Device 0 error condition. Device 0 error conditions are enabled in the PCICMD and ERRCMD registers. Device 0 error flags are read/reset from the PCISTS or ERRSTS registers. 0 = Software clears this bit by writing a 1 to it.
13	Received Master Abort Status (RMAS)—R/WC: 1 = This bit is set when the MCH generates a request over the hub interface A and receives a Master Abort completion packet. 0 = Software clears this bit by writing a 1 to it.
12	Received Target Abort Status (RTAS)—R/WC: 1 = The MCH generates a request over the hub interface A and receives a Target Abort completion packet. 0 = Software clears this bit by writing a 1 to it.
11	Signaled Target Abort Status (STAS)—RO: (Not Implemented). Hardwired to a 0. The MCH does not generate a Target Abort completion packet over the hub interface A.
10:9	DEVSEL# Timing (DEVT)—RO: (Not Implemented). Hardwired to a 00. The Hub Interface does not use DEVSEL# protocol.
8	Data Parity Detected (DPD)—RO: (Not Implemented). Hardwired to 0.
7	Fast Back-to-Back (FB2B)—RO: (Not Implemented). Hardwired to 1.
6:5	Reserved.
4	Capability List (CLIST)—RO: 1 = Indicates to the configuration software that this device/function implements a list of new capabilities. A list of new capabilities is accessed via register CAPPTR at configuration address offset 34h. Register CAPPTR contains an offset pointing to the start address within configuration space of this device where the AGP Capability standard register resides.
3:0	Reserved.

3.4.5. RID—Revision Identification Register (Device 0)

Address Offset: 08h
 Default Value: 00h
 Access: Read Only
 Size: 8 bits

This register contains the revision number of the MCH Device 0. These bits are read only and writes to this register have no effect.

Bit	Description
7:0	Revision Identification Number. This is an 8-bit value that indicates the revision identification number for the MCH Device 0. For the A-0 Stepping, this value is 00h.

3.4.6. SUBC—Sub-Class Code Register (Device 0)

Address Offset: 0Ah
 Default Value: 00h
 Access: Read Only
 Size: 8 bits

This register contains the Sub-Class Code for the MCH Device 0. This code is 00h indicating a Host Bridge device. The register is read only.

Bit	Description
7:0	Sub-Class Code (SUBC). This is an 8-bit value that indicates the category of Bridge for the MCH. 00h = Host Bridge.

3.4.7. BCC—Base Class Code Register (Device 0)

Address Offset: 0Bh
 Default Value: 06h
 Access: Read Only
 Size: 8 bits

This register contains the Base Class Code of the MCH Device 0.

Bit	Description
7:0	Base Class Code (BASEC): This is an 8-bit value that indicates the Base Class Code for the MCH. 06h = Bridge device.

3.4.8. MLT—Master Latency Timer Register (Device 0)

Address Offset: 0Dh
Default Value: 00h
Access: Read Only
Size: 8 bits

The hub interface does not use a Master Latency Timer. Therefore, this register is not implemented.

Bit	Description
7:0	These bits are hardwired to 0. Writes have no effect.

3.4.9. HDR—Header Type Register (Device 0)

Offset: 0Eh
Default: 00h
Access: Read Only
Size: 8 bits

This register identifies the header layout of the configuration space. No physical register exists at this location.

Bit	Descriptions
7:0	This read only field always returns 0 when read and writes have no affect.

3.4.10. APBASE—Aperture Base Configuration Register (Device 0)

Offset: 10–13h
Default: 00000008h
Access: Read/Write, Read Only
Size: 32 bits

The APBASE is a standard PCI Base Address register that is used to set the base of the Graphics Aperture. The standard PCI Configuration mechanism defines the base address configuration register such that only a fixed amount of space can be requested (dependent on which bits are hardwired to 0 or behave as hardwired to 0). To allow for flexibility (of the aperture), an additional register called APSIZE is used as a “back-end” register to control which bits of the APBASE will behave as hardwired to 0. This register is programmed by the MCH specific BIOS code that runs before any of the generic configuration software is run.

Note: Bit 9 of the MCHCFG register is used to prevent accesses to the aperture range before this register is initialized by the configuration software and the appropriate translation table structure has been established in the main memory.

Bit	Description																																																								
31:28	Upper Programmable Base Address bits—R/W: These bits are used to locate the range size selected via bits 27:4 of this register. Default = 0000																																																								
27:22	<p>Lower “Hardwired”/Programmable Base Address bits: These bits behave as a “hardwired” or as a programmable depending on the contents of the APSIZE register as defined below:</p> <table style="width: 100%; border-collapse: collapse;"> <thead> <tr> <th style="text-align: center;">27</th> <th style="text-align: center;">26</th> <th style="text-align: center;">25</th> <th style="text-align: center;">24</th> <th style="text-align: center;">23</th> <th style="text-align: center;">22</th> <th style="text-align: center;">Aperture Size</th> </tr> </thead> <tbody> <tr> <td style="text-align: center;">r/w</td> <td style="text-align: center;">r/w</td> <td style="text-align: center;">r/w</td> <td style="text-align: center;">r/w</td> <td style="text-align: center;">r/w</td> <td style="text-align: center;">r/w</td> <td style="text-align: center;">4 MB</td> </tr> <tr> <td style="text-align: center;">r/w</td> <td style="text-align: center;">r/w</td> <td style="text-align: center;">r/w</td> <td style="text-align: center;">r/w</td> <td style="text-align: center;">r/w</td> <td style="text-align: center;">0</td> <td style="text-align: center;">8 MB</td> </tr> <tr> <td style="text-align: center;">r/w</td> <td style="text-align: center;">r/w</td> <td style="text-align: center;">r/w</td> <td style="text-align: center;">r/w</td> <td style="text-align: center;">0</td> <td style="text-align: center;">0</td> <td style="text-align: center;">16 MB</td> </tr> <tr> <td style="text-align: center;">r/w</td> <td style="text-align: center;">r/w</td> <td style="text-align: center;">r/w</td> <td style="text-align: center;">0</td> <td style="text-align: center;">0</td> <td style="text-align: center;">0</td> <td style="text-align: center;">32 MB</td> </tr> <tr> <td style="text-align: center;">r/w</td> <td style="text-align: center;">r/w</td> <td style="text-align: center;">0</td> <td style="text-align: center;">0</td> <td style="text-align: center;">0</td> <td style="text-align: center;">0</td> <td style="text-align: center;">64 MB</td> </tr> <tr> <td style="text-align: center;">r/w</td> <td style="text-align: center;">0</td> <td style="text-align: center;">0</td> <td style="text-align: center;">0</td> <td style="text-align: center;">0</td> <td style="text-align: center;">0</td> <td style="text-align: center;">128 MB</td> </tr> <tr> <td style="text-align: center;">0</td> <td style="text-align: center;">0</td> <td style="text-align: center;">0</td> <td style="text-align: center;">0</td> <td style="text-align: center;">0</td> <td style="text-align: center;">0</td> <td style="text-align: center;">256 MB</td> </tr> </tbody> </table> <p>Bits 27:22 are controlled by bits 5:0 of the APSIZE register in the following manner: If bit APSIZE[5]=0, APBASE[27]=0; if APSIZE[5]=1, APBASE[27]=r/w (read/write). The same applies correspondingly to other bits.</p> <p>Default for APSIZE[5:0]=000000b forcing default APBASE[27:22]=000000b (i.e., all bits respond as “hardwired” to 0). This provides a default to the maximum aperture size of 256 MB. The MCH specific BIOS is responsible for a selecting smaller size (if required) before PCI configuration software runs and establishes the system address map.</p>	27	26	25	24	23	22	Aperture Size	r/w	r/w	r/w	r/w	r/w	r/w	4 MB	r/w	r/w	r/w	r/w	r/w	0	8 MB	r/w	r/w	r/w	r/w	0	0	16 MB	r/w	r/w	r/w	0	0	0	32 MB	r/w	r/w	0	0	0	0	64 MB	r/w	0	0	0	0	0	128 MB	0	0	0	0	0	0	256 MB
27	26	25	24	23	22	Aperture Size																																																			
r/w	r/w	r/w	r/w	r/w	r/w	4 MB																																																			
r/w	r/w	r/w	r/w	r/w	0	8 MB																																																			
r/w	r/w	r/w	r/w	0	0	16 MB																																																			
r/w	r/w	r/w	0	0	0	32 MB																																																			
r/w	r/w	0	0	0	0	64 MB																																																			
r/w	0	0	0	0	0	128 MB																																																			
0	0	0	0	0	0	256 MB																																																			
21:4	Hardwired to 0s. This forces minimum aperture size selected by this register to be 4 MB.																																																								
3	<p>Prefetchable—RO: Hardwired to 1.</p> <p>1 = Prefetchable (i.e., there are no side effects on reads, the device returns all bytes on reads regardless of the byte enables, and the MCH may merge processor writes into this range without causing errors).</p>																																																								
2:1	<p>Type—RO: Hardwired to 00. These bits determine addressing type.</p> <p>00 = Address range defined by the upper bits of this register can be located anywhere in the 32-bit address space.</p>																																																								
0	<p>Memory Space Indicator—RO: Hardwired to 0.</p> <p>0 = Memory range (Aperture range is a memory range).</p>																																																								

3.4.11. SVID—Subsystem Vendor ID (Device 0)

Offset: 2C–2Dh
Default: 0000h
Access: Read/Write Once
Size: 16 bits

This value is used to identify the vendor of the subsystem.

Bit	Description
15:0	Subsystem Vendor ID—R/WO: The default value is 00h. This field should be programmed during boot-up. After this field is written once, it becomes read only.

3.4.12. SID—Subsystem ID (Device 0)

Offset: 2E–2Fh
Default: 0000h
Access: Read/Write Once
Size: 16 bits

This value is used to identify a particular subsystem.

Bit	Description
15:0	Subsystem ID—R/WO: The default value is 00h. This field should be programmed during boot-up. After this field is written once, it becomes read only.

3.4.13. CAPPTR—Capabilities Pointer (Device 0)

Offset: 34h
Default: A0h
Access: Read Only
Size: 8 bits

The CAPPTR provides the offset that is the pointer to the location where the AGP standard registers are located.

Bit	Description
7:0	Start of AGP Standard Register Block: This field is a pointer to the start of AGP standard register block. A0h = Start of AGP standard register block.

3.4.14. GAR[15:0]—RDRAM Group Architecture Register (Device 0)

Address Offset: 40–4Fh
 Default Value: 80h
 Access: Read/Write
 Size: 8 bits/register

This 8-bit register defines the page size, the #of banks, and DRAM technology of each device group in the RDRAM channel. There are 16 GAR registers (GAR0 – GAR15). In single channel-pair operation, only the first eight are used to describe the 32 device-pairs, where each register describes a group of 4 RDRAM device pairs. In multiple channel-pair mode, all 16 registers are used to describe memory device-pair groups. Since there can be four times as many devices in this mode and the number of descriptive registers is only doubled, each register describes twice as many register-pairs (8 device-pairs/group).

Note: This register is locked and becomes Read Only when the D_LCK bit in the SMRAM register is set. This is done for improve SMM security.

Bit	Description
7:6	Device Page Size (DPS). This field defines the page size of the each device in the corresponding group. 00 = Reserved 01 = Reserved 10 = 1 KB 11 = 2 KBs
5	Reserved
4	Device Banks (DB): This field defines # of bank architecture in each device in the group. 0 = 16 dependent Banks 1 = 32 dependent Banks arranged in two groups of 16 dependent banks (i.e., 2x16)
3	Reserved
2:1	Device DRAM Technology (DDT): This field defines the DRAM technology of eachdevice in the group. 00 = 64/72Mbit 01 = 128/144Mbit 10 = 256/288Mbit 11 = Reserved
0	Reserved.

3.4.15. MCHCFG—MCH Configuration Register (Device 0)

Offset: 50–51h
 Default: 00s0_0000_0000-_0s00b
 Access: Read/Write Once, Read/Write, Read Only
 Size: 16 bits

Bit	Description
15:14	Reserved
13:	<p>Host Frequency—RO: These bits are used to determine the host frequency. These bits are set by an external strapping option at reset and are Read Only.</p> <p>0 = 100 MHz 1 = 133 MHz</p>
12	Reserved
11	<p>Direct Rambus Frequency—R/W: These bits are written by the BIOS after polling the Rambus* Direct RDRAMs and finding the least common denominator speed.</p> <p>0 = 300 MHz 1 = 400 MHz</p>
10	Reserved
9	<p>Aperture Access Global Enable—R/W: This bit is used to prevent access to the aperture from any port (host, PCI0 or AGP) before the aperture range is established by the configuration software and appropriate translation table in the main DRAM has been initialized. Default is 0. This bit must be set after system is fully configured for aperture accesses.</p> <p>1 = Enable 0 = Disable</p>
8:7	<p>DRAM Data Integrity Mode (DDIM)—R/W: These bits select one of 3 DRAM data integrity modes.</p> <p>00 = Non-ECC (Byte-Wise writes supported, RDRAM device only) (Default) 01 = Reserved 10 = ECC Mode (Generation and Error Checking/Correction) 11 = ECC Mode with hardware scrubbing enabled. Same as DDIM=10, plus corrected data written to DRAM.</p>
6	<p>ECC Diagnostic Mode Enable (EDME)—R/W:</p> <p>1 = Enable. MCH enters ECC Diagnostic test mode. On all subsequent write cycles to main memory, the MCH will write all zeroes to the ECC field. This allows straightforward creation of both single bit and multiple bit errors.</p> <p>0 = Disable. Normal operating mode (default).</p>

Bit	Description
5	<p>MDA Present (MDAP)—R/W: This bit works with the VGA Enable bit in the BCTRL register of device 1 and 2 to control the routing of host initiated transactions targeting MDA compatible I/O and memory address ranges. This bit should not be set when the VGA Enable bit is not set in either device 1 or 2. If the VGA enable bit is set, then accesses to IO address range x3BCh–x3BFh are forwarded to the hub interface A. MDA resources are defined as the following:</p> <p>Memory: 0B0000h–0B7FFFh</p> <p>I/O: 3B4h, 3B5h, 3B8h, 3B9h, 3BAh, 3BFh, (including ISA address aliases, A[15:10] are not used in decode)</p> <p>Any I/O reference that includes the I/O locations listed above, or their aliases, are forwarded to the hub interface A, even if the reference includes I/O locations not listed above.</p> <p>Refer to the <i>System Address Map</i> Chapter for further information.</p>
4	Reserved.
3	<p>AGP I/O Buffer Mode—RO: The MCH has an internal circuit that detects the voltage level on the AGP I/O buffer Vddq rail.</p> <p>0 = AGP Vddq is 1.5V. 1 = AGP Vddq is 3.3V.</p>
2	<p>In-Order Queue Depth (IOQD)—RO: This bit reflects the value sampled on HA7# on the deassertion of the CPURST#. It indicates the depth of the host bus in-order queue (i.e., level of host bus pipelining). If IOQD is set to 1 (HA7# sampled 1; i.e., undriven on the host bus), the depth of the host bus in-order queue is configured to the maximum allowed by the host bus protocol (i.e., 8). If the IOQD bit is set to 0 (HA7# is sampled asserted; i.e., 0), the depth of the host bus in-order queue is set to 1 (i.e., no pipelining support on the host bus).</p> <p>Note that HA7# is not driven by the MCH during CPURST#. If an IOQ size of 1 is desired, HA7# must be driven low during CPURST# by an external source.</p>
1:0	Reserved.

3.4.16. FDHC—Fixed DRAM Hole Control Register (Device 0)

Address Offset: 58h
 Default Value: 00h
 Access: Read/Write
 Size: 8 bits

This 8-bit register controls a fixed DRAM hole: 15–16 MB.

Bit	Description
7	<p>Hole Enable (HEN): This field enables a memory hole in DRAM space. Host cycles matching an enabled hole are passed on to ICH through the hub interface. The hub interface cycles matching an enabled hole will be ignored by the MCH. Note that a selected hole is not re-mapped.</p> <p>1 = Enable. 15 MB – 16 MB (1MB) 0 = Disable</p>
6:0	Reserved.

3.4.17. PAM0–PAM6—Programmable Attribute Map Registers (Device 0)

Address Offset: 59–5Fh (PAM0–PAM6)
 Default Value: 00h
 Attribute: Read/Write
 Size: 8 bits

The MCH allows programmable memory attributes on 13 Legacy memory segments of various sizes in the 640 KB to 1 MB address range. Seven Programmable Attribute Map (PAM) Registers are used to support these features. Cacheability of these areas is controlled via the MTRR registers in the processor. Two bits are used to specify memory attributes for each memory segment. These bits apply to host initiator only access to the PAM areas. The 82840 MCH will respond to a “Master Abort” for any AGP, PCI, or hub interface A/B initiated accesses to the PAM areas. These attributes are:

RE Read Enable. When RE = 1, the host read accesses to the corresponding memory segment are claimed by the MCH and directed to main memory. Conversely, when RE = 0, the host read accesses are directed to PCI0.

WE Write Enable. When WE = 1, the host write accesses to the corresponding memory segment are claimed by the MCH and directed to main memory. Conversely, when WE = 0, the host write accesses are directed to PCI0.

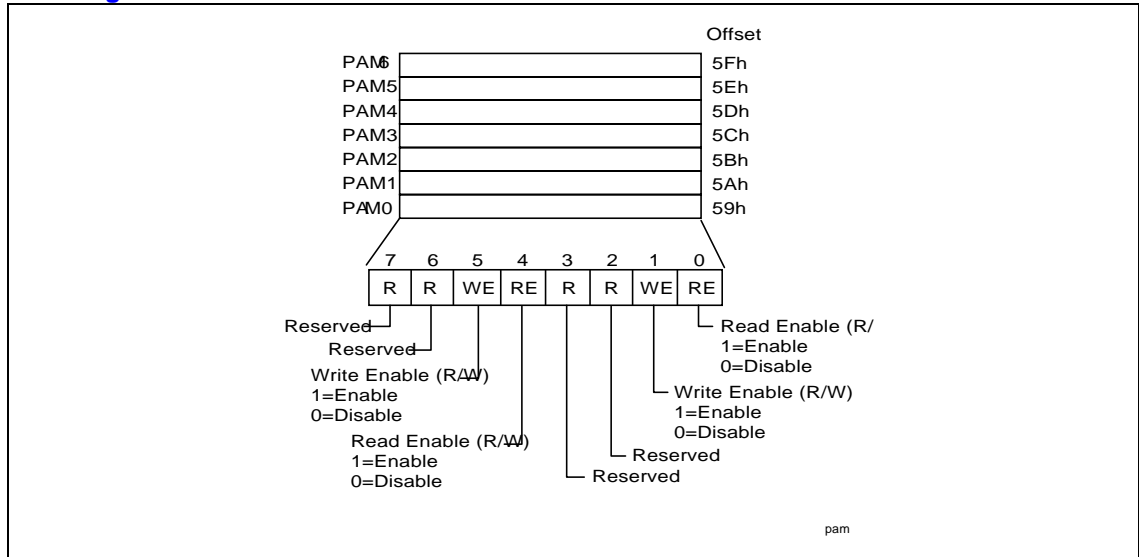
The RE and WE attributes permit a memory segment to be Read Only, Write Only, Read/Write, or disabled. For example, if a memory segment has RE = 1 and WE = 0, the segment is Read Only.

Each PAM Register controls two regions; typically, 16 KBs in size. Each of these regions has a 4-bit field. The four bits that control each region have the same encoding and are defined in Table 3.

Table 3. Attribute Bit Assignment

Bits [7, 3] Reserved	Bits [6, 2] Reserved	Bits [5, 1] WE	Bits [4, 0] RE	Description
x	x	0	0	Disabled. DRAM is disabled and all accesses are directed to the hub interface A. The MCH does not respond as a PCI target for any read or write access to this area.
X	x	0	1	Read Only. Reads are forwarded to DRAM and writes are forwarded to the hub interface A for termination. This write protects the corresponding memory segment. The MCH will respond as an AGP or the hub interface A target for read accesses but not for any write accesses.
X	x	1	0	Write Only. Writes are forwarded to DRAM and reads are forwarded to the hub interface for termination. The MCH will respond as an AGP or hub interface A target for write accesses but not for any read accesses.
X	x	1	1	Read/Write. This is the normal operating mode of main memory. Both read and write cycles from the host are claimed by the MCH and forwarded to DRAM. The MCH will respond as an AGP or the hub interface A target for both read and write accesses.

As an example, consider a BIOS that is implemented on the expansion bus. During the initialization process, the BIOS can be shadowed in main memory to increase the system performance. When BIOS is shadowed in main memory, it should be copied to the same address location. To shadow the BIOS, the attributes for that address range should be set to write only. The BIOS is shadowed by first doing a read of that address. This read is forwarded to the expansion bus. The host then does a write of the same address, which is directed to main memory. After the BIOS is shadowed, the attributes for that memory area are set to read only so that all writes are forwarded to the expansion bus. Table 4 and Figure 4 shows the PAM registers and the associated attribute bits.

Figure 2. PAM Registers

Table 4. PAM Registers and Associated Memory Segments

PAM Reg	Attribute Bits				Memory Segment	Comments	Offset
PAM0[3:0]	Reserved						59h
PAM0[7:4]	R	R	WE	RE	0F0000h–0FFFFFFh	BIOS Area	59h
PAM1[3:0]	R	R	WE	RE	0C0000h–0C3FFFh	ISA Add-on BIOS	5Ah
PAM1[7:4]	R	R	WE	RE	0C4000h–0C7FFFh	ISA Add-on BIOS	5Ah
PAM2[3:0]	R	R	WE	RE	0C8000h–0CBFFFh	ISA Add-on BIOS	5Bh
PAM2[7:4]	R	R	WE	RE	0CC000h–0CFFFFh	ISA Add-on BIOS	5Bh
PAM3[3:0]	R	R	WE	RE	0D0000h–0D3FFFh	ISA Add-on BIOS	5Ch
PAM3[7:4]	R	R	WE	RE	0D4000h–0D7FFFh	ISA Add-on BIOS	5Ch
PAM4[3:0]	R	R	WE	RE	0D8000h–0DBFFFh	ISA Add-on BIOS	5Dh
PAM4[7:4]	R	R	WE	RE	0DC000h–0DFFFFh	ISA Add-on BIOS	5Dh
PAM5[3:0]	R	R	WE	RE	0E0000h–0E3FFFh	BIOS Extension	5Eh
PAM5[7:4]	R	R	WE	RE	0E4000h–0E7FFFh	BIOS Extension	5Eh
PAM6[3:0]	R	R	WE	RE	0E8000h–0EBFFFh	BIOS Extension	5Fh
PAM6[7:4]	R	R	WE	RE	0EC000h–0EFFFFh	BIOS Extension	5Fh

For details on overall system address mapping scheme, see *The System Address Map* Chapter.

DOS Application Area (00000h–9FFFh)

The DOS area is 640 KB and it is divided into two parts. The 512 KB area at 0 to 7FFFFh is always mapped to the main memory controlled by the MCH, while the 128 KB address range from 080000 to 09FFFFh can be mapped to PCI0 or to main DRAM. By default this range is mapped to main memory and can be declared as a main memory hole (accesses forwarded to PCI0) via MCH FDHC configuration register.

Video Buffer Area (A0000h–BFFFFh)

This 128 KB area is not controlled by attribute bits. The host -initiated cycles in this region are always forwarded to either PCI0 or AGP unless this range is accessed in SMM mode. Routing of accesses is controlled by the Legacy VGA control mechanism of the “virtual” PCI-PCI bridge device in the MCH.

This area can be programmed as SMM area via the SMRAM register. When used as a SMM space, this range can not be accessed from the hub interface nor AGP.

Expansion Area (C0000h–DFFFFh)

This 128 KB area is divided into eight 16 KB segments that can be assigned with different attributes via PAM control register.

Extended System BIOS Area (E0000h–EFFFFh)

This 64 KB area is divided into four 16 KB segments which can be assigned with different attributes via PAM control register.

System BIOS Area (F0000h–FFFFFh)

This area is a single 64 KB segment which can be assigned with different attributes via PAM control register.

3.4.18. GBA0–GBA15—RDRAM Group Boundary Address Register (Device 0)

Address Offset: 60–7Fh (GBA0–GBA15)
 Default: 01h
 Access: Read/Write
 Size: 16 bits/register

Note: This register is locked and becomes Read Only when the D_CLK bit in the SMRAM register is set. This is done to improve SMM security.

The RDRAM device-pairs are logically arranged into groups. There are eight groups when the MCH is configured for single channel-pair mode operation; there are four groups for multiple channel-pair mode operation. Each group requires a separate GBA register. The GBA registers define group ID and the upper and lower addresses for each group in a channel-pair. Contents of bits 0:9 of this register represent the boundary addresses in 16 MB granularity.

For example, a value of 01h indicates that the programmed group applies to memory below 16 MB. Only the first eight GBA registers are used in single channel-pair mode. All 16 GBA registers are used in multiple channel-pair mode. Note that GBA15 must always contain the group boundary address that points to the top of memory, whether the MCH is being used in single channel-pair mode or multiple channel-pair mode.

60–61h GBA0 = Total memory in group0 (in 16 MBs)
 62–63h GBA1 = Total memory in group0 + group1 (in 16 MBs)
 64–65h GBA2 = Total memory in group0 + group1 + group2 (in 16 MBs)
 66–67h GBA3 = Total memory in group0 + group1 + group2 + group3 (in 16 MBs)

 7E–7Fh GBA15 = Total memory in group0 + group1 + group2 + ... + group15 (in 16 MBs)

Bit	Description
15	Reserved.
14:13	Channel ID (CHID): Reflects the ID of the Rambus* channel described by this GBA entry. This field is only used when MRH-R is present.
12:10	Group ID (GID): This 3-bit value is used to identify a logical group of Direct RDRAM devices. This value and appropriate address bits are used to generate the device RDRAM_D device ID. Note that all device-pairs populated in a group must be of the same memory technology.
9:0	Group Boundary Address (GBA): This 10-bit value is compared against address lines A[33:24] to determine the upper address limit of a particular group of devices (i.e., GBA minus previous GBA = group size).

3.4.19. RDPS—RDRAM Pool Sizing Register (Device 0)

Address Offset: 88h
 Default Value: 10h
 Access: Read/Write
 Size: 8 bits

Bit	Description
7	<p>Pool Lock (LOCK):</p> <p>1 = Contents of the RDPS register becomes READ Only.</p> <p>0 = Contents of the RDPS register becomes READ/WRITE.</p>
6	Reserved
5	<p>Reinitialize RDRAM Pools (POOLINIT):</p> <p>1 = RDRAM pools are reinitialized to the default value contained in this register.</p> <p>0 = As long as this bit is 0, the other fields in this register may be modified without changing the behavior of the pools. This bit is set to 0 after the RDRAM devices are initialized with the new pool settings and the MCH is operated in the new pool settings.</p> <p>Note that the external thermal sensor trip conditions (i.e., a rising edge on OVERT# or RDRAM devices report an overtemperature condition) do not have any effect on this bit, even though they do cause new pool values to be loaded.</p>
4	<p>Pool C Operating Mode (PCS) :</p> <p>1 = All devices found neither in pool A nor in pool B are assumed to be in nap mode.</p> <p>0 = All devices in pool C are assumed to be in standby mode.</p>
3:2	<p>Pool A Capacity (PAC): This field defines the maximum number of RDRAM devices that can reside in Pool A at a time.</p> <p>00 = 1</p> <p>01 = 2</p> <p>10 = 4</p> <p>11 = 8</p>
1:0	<p>Pool B Capacity (PBC): This field defines the maximum number of RDRAM devices that can reside in Pool B at a time.</p> <p>00 = 1</p> <p>01 = 4</p> <p>10 = 8</p> <p>11 = 16</p>

3.4.20. DRD—RDRAM Device Register Data Register (Device 0)

Address Offset: 90–93h
 Default Value: 0000h
 Access: Read/Write
 Size: 32 bits

Bit	Description
31:0	Register Data (RD): Bits 31:0 contain the 32 bits of data to be written to a RDRAM register or the data read from a RDRAM register as a result of IOP execution. Data is valid when the IIO bit of the RICM register has transitioned from 1 to 0. Bits 31:16 apply to Direct Rambus* interface A and bits 15:0 apply to Direct Rambus* interface B.

3.4.21. RICM—RDRAM Initialization Control Management Register (Device 0)

Address Offset: 94–97h
 Default Value: 00000000h
 Access: Read/Write
 Size: 32 bits

Bit	Description
31	Reserved
30	Rambus* Interface B Stick Channels Swap: 1 = Swap. The two stick channels of each MRH-R are swapped on the Rambus* interface B. 0 = Not Swapped.
29:28	Time To PowerUp(TPU): This field defines the total powerdown exit time for RDRAM devices and corresponds to the RDRAM device (PDNA+tPDNB) timing. 00 = 42.0 us 01 = 34.5 us 10 = 27.0 us 11 = 19.5 us
27	Initialization Complete (IC): 1 = BIOS sets this bit to 1 after the initialization of the RDRAM memory array is complete.
26:25	Reserved
24	MRH-R Present (MRHRP): 1 = Set by software when it detects the presence of Memory Repeater Hub for Rambus* Component in the system.
23	Initiate Initialization Operation (IIO): The software must check to see if this bit is 0 before writing to this bit. The operations which specify register data read from the Direct RDRAM will have the data valid in DRD register when this bit is cleared to 0. 1 = Execution of the initialization operation specified by IOP starts. 0 = After the execution is completed, the MCH clears this bit to 0.
22	Reserved

Bit	Description
21:20	Channel ID (CID): This field specifies the channel address for which the initialization or the channel reset operation is initiated.
19	Broadcast Address (BA): 1 = Initialization operation (IOP) is broadcast to all devices. When this bit is set to 1, the DSA field is don't care.
18:10	Device Register Address (DRA): This field specifies the register address for the register read and write operations.
9:5	Serial Device/Channel Address (SDCA): This 5 bits field specifies the serial device ID of the Direct RDRAM to which the initialization operation is targeted for the next SIO command to be sent by MCH.
4:0	<p>Initialization Opcode (IOP): This field specifies the initialization operation to be done on Direct RDRAM device.</p> <ul style="list-style-type: none"> 00000 = RDRAM Register Read 00001 = RDRAM Register Write 00010 = RDRAM Set Reset 00011 = Reserved 00100 = RDRAM Set Fast Clock Mode 00101 = RDRAM Temperature Calibrate Enable 00110 = RDRAM Temperature Calibrate 00111 = Reserved 01000 = Redirect Next SIO 01001 = MRH-R "Stick Channel" SIO Reset 01010 = Reserved 01011 = RDRAM Clear Reset 01100 = Reserved 01101 = Write SPD Register 01110 = Read SPD Register 01111 = Reserved 10000 = RDRAM Current Calibration 10001 = RDRAM SIO Reset 10010 = RDRAM Powerdown Exit 10011 = RDRAM Powerdown Entry 10100 = RDRAM Nap Entry 10101 = RDRAM Nap Exit 10110 = RDRAM Refresh 10111 = RDRAM Precharge 11000 = Manual Current Calibration of MCH RAC 11001 = MCH RAC load RAC A configuration register 11010 = MCH RAC load RAC B configuration register 11011 = Initialize MCH RAC 11100 = MCH RAC Current Calibration 11101 = MCH RAC Thermal Calibration 11110 = Reserved 11111 = PowerUp All Sequence

3.4.22. MCH Expansion RAC A/B Configuration Registers

Address Offset	Not Applicable (see description below)
Default:	0000_0000h
Access:	Not Applicable (see description below)
Size:	32 bits

To enable the E-clamp of MCH RAC A, first write a 32-bit value into the DRD register (offset 90–93h). Then, issue an Initialization Opcode (IOP=11001b) through the RICM/SICM register (offset 94–97h). Repeat the same procedure above for enabling the E-clamp on MCH RAC B (IOP=11010b). The default state of the E-Clamps are disabled after power on.

Bit	Description
31:26	Reserved
25:24	Early Clamp Enable: 00 = Disabled 11 = Enabled 01 or 10 = Reserved
23:0	Reserved

3.4.23. SMRAM—System Management RAM Control Register (Device 0)

Address Offset:	9Dh
Default Value:	02h
Access:	Read/Write, Read Only
Size:	8 bits

The SMRAMC register controls how accesses to Compatible and Extended SMRAM spaces are treated. The Open, Close, and Lock bits function only when G_SMROME bit is set to a 1. Also, the OPEN bit must be reset before the LOCK bit is set.

Bit	Description
7	Reserved
6	SMM Space Open (D_OPEN): When D_OPEN=1 and D_LCK=0, the SMM space DRAM is made visible even when SMM decode is not active. This is intended to help BIOS initialize SMM space. Software should ensure that D_OPEN=1 and D_CLS=1 are not set at the same time. When D_LCK is set to a 1, D_OPEN is reset to 0 and becomes read only.
5	SMM Space Closed (D_CLS): When D_CLS = 1 SMM space DRAM is not accessible to data references, even if SMM decode is active. Code references may still access SMM space DRAM. This will allow SMM software to reference "through" SMM space to update the display even when SMM is mapped over the VGA range. Software should ensure that D_OPEN=1 and D_CLS=1 are not set at the same time.
4	SMM Space Locked (D_LCK): When D_LCK is set to 1, then D_OPEN is reset to 0 and D_LCK, D_OPEN, C_BASE_SEG, H_SMRAM_EN, TSEG_SZ and TSEG_EN become "Read Only". D_LCK can be set to 1 via a normal configuration space write but can only be cleared by a Full Reset. The combination of D_LCK and D_OPEN provide convenience with security. BIOS can use the D_OPEN function to initialize SMM space and then use D_LCK to "lock down" SMM space in the future so that no application software (or BIOS itself) can violate the integrity of SMM space, even if the program has knowledge of the D_OPEN function.

Bit	Description
3	<p>Global SMRAM Enable (G_SMROME): If set to a 1, then Compatible SMRAM functions is enabled, providing 128 KB of DRAM accessible at the A0000h address while in SMM (ADS# with SMM decode). To enable Extended SMRAM function this bit has be set to 1. Refer to the <i>System Address Map</i> Chapter for more details. Once D_LCK is set, this bit becomes read only.</p> <p>1 = Enable 0 = Disable</p>
2:0	<p>Compatible SMM Space Base Segment (C_BASE_SEG)—RO: This field indicates the location of SMM space. "SMM DRAM" is not remapped. It is simply "made visible" if the conditions are right to access SMM space, otherwise the access is forwarded to the hub interface. C_BASE_SEG is hardwired to 010 to indicate that the MCH supports the SMM space at A0000h-BFFFFh.</p>

3.4.24. ESMRAMC—Extended System Management RAM Control Register (Device 0)

Address Offset: 9Eh
Default Value: 38h
Access: Read/Write/Lock
Size: 8 bits

The Extended SMRAM register controls the configuration of Extended SMRAM space. The Extended SMRAM (E_SMRAM) memory provides a write-back cacheable SMRAM memory space that is above 1 MB.

Bit	Description
7	<p>H_SMRAM_EN (H_SMROME): Controls the SMM memory space location (i.e., above 1 MB or below 1 MB). When G_SMROME is 1 and H_SMROME is set to 1, the high SMRAM memory space is enabled. SMRAM accesses from 0FFEA0000h to 0FFEBFFFFh are remapped to DRAM address 000A0000h to 000BFFFFh. Once D_LCK is set, this bit becomes read only.</p>
6	<p>E_SMRAM_ERR (E_SMERR): This bit is set when the host accesses the defined memory ranges in Extended SMRAM (High Memory and T-segment) while not in SMM space and with the D-OPEN bit = 0. It is software's responsibility to clear this bit. Software must write a 1 to this bit to clear it</p>
5	<p>SMRAM_Cache (SM_CACHE): Hardwired to 1.</p>
4	<p>SMRAM_L1_EN (SM_L1): Hardwired to 1.</p>
3	<p>SMRAM_L2_EN (SM_L2): Hardwired to 1.</p>
2:1	<p>TSEG_SZ[1:0] (T_SZ): Selects the size of the TSEG memory block, if enabled. This memory is taken from the top of DRAM space (i.e., TOM - TSEG_SZ), which is no longer claimed by the memory controller (if TSEG_EN is set, all accesses to this space are sent to the hub interface). This field decodes as follows:</p> <p>00 = (TOM-128K) to TOM 01 = (TOM-256K) to TOM 10 = (TOM-512K) to TOM 11 = (TOM-1M) to TOM</p> <p>Once D_LCK is set, this bit becomes read only.</p>
0	<p>TSEG Enable (TSEG_EN): Enabling of SMRAM memory (TSEG, 128 KB, 256 KB, 512 KB or 1 MB of additional SMRAM memory) for Extended SMRAM space only. When G_SMROME =1 and TSEG_EN = 1, the TSEG is enabled to appear in the appropriate physical address space. Once D_LCK is set, this bit becomes read only. TSEG_EN can only be 1 when G_SMROME is 1.</p>

3.4.25. ACAPID—AGP Capability Identifier Register (Device 0)

Address Offset: A0–A3h
 Default Value: 00200002h / 00000000h
 Access: Read Only
 Size: 32 bits

This register provides standard identifier for AGP capability.

Bit	Description
31:24	Reserved
23:20	Major AGP Revision Number: These bits provide a major revision number of AGP specification to which this version of MCH conforms. 0010 = Rev 2.x.
19:16	Minor AGP Revision Number: These bits provide a minor revision number of AGP specification that this version of the MCH conforms. This number is hardwired to value of "0000" (i.e., implying Rev x.0). Together with major revision number this field identifies MCH as an AGP REV 2.0 compliant device. 0000 = Rev x.0
15:8	Next Capability Pointer: AGP capability is the first and the last capability described via the capability pointer mechanism. Hardwired to 0s. 0000_0000 = End of the capability linked list
7:0	AGP Capability ID: This field identifies the linked list item as containing AGP registers. 0000_0010 = Assigned by the PCI SIG.

3.4.26. AGPSTAT—AGP Status Register (Device 0)

Address Offset: A4–A7h
 Default Value: 1F000217h
 Access: Read Only
 Size: 32 bits

This register reports AGP device capability/status.

Bit	Description
31:24	<p>Maximum Requests (RQ): Hardwired to 1Fh. This field contains the maximum number of AGP command requests the MCH is configured to manage. The lower 6 bits of this field reflect the value programmed in AGPCTRL[12:10]. Only discrete values of 32, 16, 8, 4, 2 and 1 can be selected via AGPCTRL. Upper bits are hardwired to 0s.</p> <p>1Fh = A maximum of 32 outstanding AGP command requests can be handled by the MCH</p>
23:10	Reserved
9	<p>Sideband Addressing (SBA): Hardwired to 1.</p> <p>1 = MCh supports side band addressing.</p>
8:6	Reserved
5	<p>4 GB Maximum Address Space (4GB): Hardwired to 0.</p> <p>0 = MCH does not support addresses greater than 4 gigabytes.</p>
4	<p>Fast Writes (FW): Hardwired to 1.</p> <p>1 = MCH supports Fast Writes from the host to the AGP master.</p>
3	Reserved
2:0	<p>RATE: After reset, the MCH reports its data transfer rate capability. Bit 0 identifies if AGP device supports 1x data transfer mode, bit 1 identifies if AGP device supports 2x data transfer mode, bit 2 identifies if AGP device supports 4x data transfer mode. Note that the selected data transfer mode apply to both AD bus and SBA bus. It also applies to Fast Writes, if they are enabled.</p> <p>111 = 1x, 2x, and 4x data transfer modes supported</p>

3.4.27. AGPCMD—AGP Command Register (Device 0)

Address Offset: A8–ABh
 Default Value: 00000000h
 Access: Read/Write
 Size: 32 bits

This register provides control of the AGP operational parameters.

Bit	Description
31:10	Reserved.
9	Side Band Addressing Enable (SBA_EN): 1 = Enable. Side band addressing mechanism is enabled. 0 = Disable
8	AGP Enable: When this bit is set to 0, the MCH ignores all AGP operations, including the sync cycle. Any AGP operations received while this bit is set to 1 will be serviced, even if this bit is reset to 0. If this bit transitions from a 1 to a 0 on a clock edge in the middle of an SBA command being delivered in 1X mode, the command will be issued. When this bit is set to 1, the MCH responds to AGP operations delivered via PIPE# or to operations delivered via SBA, if the AGP Side Band Addressing Enable bit is also set to 1. 1 = Enable 0 = Disable
7:6	Reserved.
5	4 GB Maximum Address Space (4GB): Hardwired to 0. 0 = The MCH, as an AGP target, does not support addressing greater than 4 GBs.
4	Fast Writes Enable (FW_EN): 1 = The MCH uses the Fast Write protocol for Memory Write transactions from the MCH to the AGP master. Fast Writes occur at the data transfer rate selected by the data rate bits (2:0) in this register. 0 = When this bit is 0 (or when the data rate bits are set to 1x mode), the Memory Write transactions from the MCH to the AGP master use standard PCI protocol.
3	Reserved.
2:0	Data Rate: The settings of these bits determines the AGP data transfer rate. One (and only one) bit in this field must be set to indicate the desired data transfer rate. Bit 0: 1X, Bit 1: 2X, Bit 2: 4x. The same bit must be set on both master and target. Configuration software will update this field by setting only one bit that corresponds to the capability of the AGP master (after that capability has been verified by accessing the same functional register within the AGP masters configuration space.) Note that this field applies to AD and SBA buses. It also applies to Fast Writes, if they are enabled. 001 = 1x 010 = 2x 100 = 4x All other combinations are illegal.

3.4.28. AGPCTRL—AGP Control Register (Device 0)

Address Offset: B0–B3h
 Default Value: 00000000h
 Access: Read/Write
 Size: 32 bits

This register provides for additional control of the AGP interface.

Bit	Description
15:8	Reserved
7	GTLB Enable (and GTLB Flush Control)—R/W: 1 = Enable. Normal operations of the Graphics Translation Lookaside Buffer. 0 = Disable (default). GTLB is flushed by clearing the valid bits associated with each entry.
6:0	Reserved.

3.4.29. APSIZE—Aperture Size (Device 0)

Address Offset: B4h
 Default Value: 00h
 Access: Read/Write
 Size: 8 bits

APSIZE determines the effective size of the Graphics Aperture used for a particular MCH configuration. This register can be updated by the MCH specific BIOS configuration sequence before the PCI standard bus enumeration sequence takes place. If the register is not updated, the default value selects an aperture of maximum size (i.e., 256 MB). The size of the table that corresponds to a 256 MB aperture is not practical for most applications; therefore, these bits must be programmed to a smaller practical value that forces adequate address range to be requested via the APBASE register from the PCI configuration software.

Bit	Description																																																								
7:6	Reserved																																																								
5:0	Graphics Aperture Size (APSIZE)—R/W: Each bit in APSIZE[5:0] operates on similarly ordered bits in APBASE[27:22] of the Aperture Base configuration register. When a particular bit of this field is 0, it forces the similarly ordered bit in APBASE[27:22] to behave as “hardwired” to 0. When a particular bit of this field is set to 1, it allows the corresponding bit of the APBASE[27:22] to be read/write accessible. Only the following combinations are allowed: <table border="1" style="margin-left: 20px;"> <thead> <tr> <th>5</th> <th>4</th> <th>3</th> <th>2</th> <th>1</th> <th>0</th> <th>Aperture Size</th> </tr> </thead> <tbody> <tr> <td>1</td> <td>1</td> <td>1</td> <td>1</td> <td>1</td> <td>1</td> <td>4 MB</td> </tr> <tr> <td>1</td> <td>1</td> <td>1</td> <td>1</td> <td>1</td> <td>0</td> <td>8 MB</td> </tr> <tr> <td>1</td> <td>1</td> <td>1</td> <td>1</td> <td>0</td> <td>0</td> <td>16 MB</td> </tr> <tr> <td>1</td> <td>1</td> <td>1</td> <td>0</td> <td>0</td> <td>0</td> <td>32 MB</td> </tr> <tr> <td>1</td> <td>1</td> <td>0</td> <td>0</td> <td>0</td> <td>0</td> <td>64 MB</td> </tr> <tr> <td>1</td> <td>0</td> <td>0</td> <td>0</td> <td>0</td> <td>0</td> <td>128 MB</td> </tr> <tr> <td>0</td> <td>0</td> <td>0</td> <td>0</td> <td>0</td> <td>0</td> <td>256 MB</td> </tr> </tbody> </table> <p>Default for APSIZE[5:0]=000000b forces default APBASE[27:22] =000000b (i.e., all bits respond as “hardwired” to 0). This provides maximum aperture size of 256 MB. As another example, programming APSIZE[5:0]=111000b hardwires APBASE[24:22]=000b while enabling APBASE[27:25] as read/write programmable.</p>	5	4	3	2	1	0	Aperture Size	1	1	1	1	1	1	4 MB	1	1	1	1	1	0	8 MB	1	1	1	1	0	0	16 MB	1	1	1	0	0	0	32 MB	1	1	0	0	0	0	64 MB	1	0	0	0	0	0	128 MB	0	0	0	0	0	0	256 MB
5	4	3	2	1	0	Aperture Size																																																			
1	1	1	1	1	1	4 MB																																																			
1	1	1	1	1	0	8 MB																																																			
1	1	1	1	0	0	16 MB																																																			
1	1	1	0	0	0	32 MB																																																			
1	1	0	0	0	0	64 MB																																																			
1	0	0	0	0	0	128 MB																																																			
0	0	0	0	0	0	256 MB																																																			

3.4.30. ATTBASE—Aperture Translation Table Base Register (Device 0)

Address Offset: B8–BBh
 Default Value: 00000000h
 Access: Read/Write
 Size: 32 bits

This register provides the starting address of the Graphics Aperture Translation Table Base located in the main DRAM. This value is used by the MCH Graphics Aperture address translation logic (including the GTLB logic) to obtain the appropriate address translation entry required during the translation of the aperture address into a corresponding physical DRAM address. The ATTBASE register may be dynamically changed.

Note: The address provided via ATTBASE is 4 KB aligned.

Bit	Description
31:12	Address Translation Table Base Pointer: This field contains a pointer to the base of the translation table used to map memory space addresses in the aperture range to addresses in main memory.
11:0	Reserved

3.4.31. AMTT—AGP Interface Multi-Transaction Timer Register (Device 0)

Address Offset: BCh
 Default Value: 00h
 Access: Read/Write
 Size: 8 bits

AMTT is an 8-bit register that controls the amount of time that the MCH arbiter allows an AGP master to perform multiple back-to-back transactions. The MCH AMTT mechanism is used to optimize the performance of the AGP master (using PCI protocol) that performs multiple back-to-back transactions to fragmented memory ranges (and as a consequence it can not use long burst transfers). The AMTT mechanism applies to the host-AGP transactions as well and it guarantees to the processor a fair share of the AGP interface bandwidth.

The number of clocks programmed in the AMTT represents the guaranteed time slice (measured in 66 MHz clocks) allotted to the current agent (either AGP master or Host bridge) after which the AGP arbiter will grant the bus to another agent. The default value of 00h disables this function. The AMTT value can be programmed with 8 clock granularity. For example, if the AMTT is programmed to 18h, the selected value corresponds to the time period of 24 AGP (66 MHz) clocks.

Bit	Description
7:3	Multi-Transaction Timer Count Value: The value programmed in this field represents the guaranteed time slice (measured in eight 66 MHz clock granularity) allotted to the current agent (either AGP master or MCH) after which the AGP arbiter will grant the bus to another agent.
2:0	Reserved.

3.4.32. LPTT—Low Priority Transaction Timer Register (Device 0)

Address Offset: BDh
Default Value: 00h
Access: Read/Write
Size: 8 bits

LPTT is an 8-bit register similar in a function to AMTT. This register is used to control the minimum tenure on the AGP for low priority data transaction (both reads and writes) issued using PIPE# or SB mechanisms.

The number of clocks programmed in the LPTT represents the guaranteed time slice (measured in 66 MHz clocks) allotted to the current low priority AGP transaction data transfer state. This does not necessarily apply to a single transaction but it can span over multiple low-priority transactions of the same type. After this time expires, the AGP arbiter may grant the bus to another agent, if there is a pending request. The LPTT does not apply in the case of high-priority request where ownership is transferred directly to high-priority requesting queue. The default value of 00h disables this function. The LPTT value can be programmed with 8 clock granularity. For example, if the LPTT is programmed to 10h, the selected value corresponds to the time period of 16 AGP (66 MHz) clocks.

Bit	Description
7:3	Low Priority Transaction Timer Count Value: The number of clocks programmed in these bits represents the guaranteed time slice (measured in eight 66 MHz clock granularity) allotted to the current low priority AGP transaction data transfer state.
2:0	Reserved.

3.4.33. RDTR—RDRAM Timing Register (Device 0)

Address Offset: BEh
 Default Value: 00h
 Access: Read/Write
 Size: 8 bits

RDTR defines the timing parameters for all devices in the Direct RDRAM channel. BIOS programs this register with the “least common denominator” values after reading configuration registers of each device in the Direct RDRAM channel. This register applies to the entire DRAM array.

Bit	Description
7:6	<p>Row to Column Delay (tRCD): This field defines the minimum interval between opening a row and column operation on that row in units of Direct Rambus* clocks (RCLKs).</p> <p>00 = Reserved</p> <p>01 = 7</p> <p>10 = 9</p> <p>11 = Reserved</p>
5:0	<p>RDRAM Total CAS Access Delay (tRDRAM): This field defines the minimum round trip propagation time of the RDRAM channel in units of RDRAM clocks (RCLKs). This value includes the CAS access time, the channel delay time, or any MRH delay time.</p> <p>tRDRAM = tCAC + tRDLY</p> <ul style="list-style-type: none"> tRDRAM has a minimum value of 8 RCLKs since the supported RDRAM tCAC = 8 RCLKs. The maximum value of tRDRAM is 12 RCLKs in single channel-pair mode. The maximum value of tRDRAM is 24 RCLKs in multiple channel-pair mode.. tRDLY is the total channel delay time and should include the channel delay time of the RDRAM device in the MCH RDRAM interface, the MRH-R propagation delay time, and the channel delay time of the RDRAM device in the MRH-R RDRAM interface.

The following table shows the valid tRCD and tCAC combinations for 300 MHz and 400 MHz.

RDRAM Frequency (RCLK)	tRCD in RCLKs	tCAC in RCLKs
400 MHz	9	8
400 MHz	7	8
300 MHz	7	8

3.4.34. RDCR—RDRAM Refresh Control Register (Device 0)

Address Offset: BFh
 Default Value: 00h
 Access: Read/Write
 Size: 8 bits

This register is loaded by configuration software with the refresh timings when the Direct RDRAM Devices or the MRH-R Present bit is set in the RICM register (device 0, offset 94h, bit 24) for all RDRAM channels present in the system. The value placed into this register should represent the least common denominator of all of the devices on the specified channel pair. The MCH starts the refresh cycles after bit 27 (offset 94–97h), Initialization Complete bit, is programmed by BIOS.

Bit	Description
7:6	<p>DRAM Refresh Rate for RDRAM Channel Pair #3 (DRR3): The DRAM refresh rate is adjusted according to the frequency selected by this field. Note that refresh is also disabled via this field, and that disabling refresh results in the eventual loss of DRAM data. This field is programmed by BIOS after collecting configuration information from all Direct RDRAM devices in the channel and determining the least common denominator value for refresh.</p> <p>00 = Refresh Disabled 01 = 1.95 us 10 = 3.9 us 11 = 7.8 us</p>
5:4	<p>DRAM Refresh Rate RDRAM Channel Pair #2 (DRR2): The DRAM refresh rate is adjusted according to the frequency selected by this field. Note that refresh is also disabled via this field, and that disabling refresh results in the eventual loss of DRAM data. This field is programmed by BIOS after collecting configuration information from all Direct RDRAM devices in the channel and determining the least common denominator value for refresh.</p> <p>00 = Refresh Disabled 01 = 1.95 us 10 = 3.9 us 11 = 7.8 us</p>
3:2	<p>DRAM Refresh Rate RDRAM Channel Pair #1 (DRR1): The DRAM refresh rate is adjusted according to the frequency selected by this field. Note that refresh is also disabled via this field, and that disabling refresh results in the eventual loss of DRAM data. This field is programmed by BIOS after collecting configuration information from all Direct RDRAM devices in the channel and determining the least common denominator value for refresh.</p> <p>00 = Refresh Disabled 01 = 1.95 us 10 = 3.9 us 11 = 7.8 us</p>
1:0	<p>DRAM Refresh Rate RDRAM channel pair #0 (DRR0): The DRAM refresh rate is adjusted according to the frequency selected by this field. Note that refresh is also disabled via this field, and that disabling refresh results in the eventual loss of DRAM data. This field is programmed by BIOS after collecting config information from all Direct RDRAM devices in the channel and determining the least common denominator value for refresh.</p> <p>00 = Refresh Disabled 01 = 1.95 us 10 = 3.9 us 11 = 7.8 us</p>

3.4.35. TOM—Top of Low Memory Register (Device 0)

Address Offset: C4–C5h
 Default Value: 00h
 Access: Read/Write
 Size: 16 bits

A memory hole is present under normal operating conditions from TOM up to the 4 GB address where TOM is the Top Of Lower Memory register. This hole is used to access devices present behind hub interfaces A and B, the AGP bus, the memory-mapped APIC register, and the boot BIOS area just below 4 GB. Thus, the hole range subtracts from the overall available RDRAM memory and will effectively break the main memory into two contiguous areas: one below TOM and one above 4 GB, if available RDRAM exceeds 4 GB. If the total amount of main memory is less than 4 GB, the addresses (i.e., not their ‘values’) indicated by the TOM and GBA15 (or TOM and SRBA7) registers will be identical.

Bit	Description
15:0	Top of Low Memory (TOM): This register contains the address that corresponds to bits 31:16 of the maximum DRAM memory address that lies below 4 GB. Configuration software should set this value to either the maximum amount of memory in the system or to the minimum address allocated for PCI memory or the graphics aperture, whichever is smaller.

3.4.36. ERRSTS—Error Status Register (Device 0)

Address Offset: C8–C9h
 Default Value: 0000h
 Access: Read/Write Clear
 Size: 16 bits

This register is used to report various error conditions via the hub interface messages to ICH. An SERR, SMI, or SCI error message may be generated via the hub interface A on a zero to one transition of any of these flags, when enabled in the PCICMD/ERRCMD, SMICMD, or SCICMD registers respectively.

Bit	Description
15	FSB Parity Error (FSBPAR): 1 = The MCH detected an uncorrectable parity error on either the address or request signals of the front side bus. 0 = Software must write a 1 to clear this bit.
14	SERR Request from AGP Port (AGPERR): 1 = AGP interface has received an SERR request from the Device 1 Virtual Bridge. The SERR requests include the AGP parity error, AGP forwarding SERR# error, and AGP receiving targeted abort error. If the appropriate bit is set in the ERRCMD register, this request is forwarded down hub interface A to the ICH. 0 = Software must write a 1 to clear this bit.
13	SERR Request from Hub interface B (HLBERR): 1 = Hub interface B has received an SERR request from the Device 2 Virtual Bridge. The SERR requests include the hub interface B parity error and forwarding SERR# error. If the appropriate bit is set in the ERRCMD register, this request is forwarded down hub interface A to the ICH. 0 = Software must write a 1 to clear this bit.

Bit	Description
12	<p>Host Uncorrectable Error (FSBBIERR):</p> <p>1 = MCH detected the assertion of either the BERR# signal or the IERR# signal on the processor bus. An SERR or SCI hub interface A message will be generated to ICH, if the appropriate bit is enabled in the ERRCMD or SCICMD register.</p> <p>0 = Software must write a 1 to clear this bit.</p>
11	<p>Host Correctable Error (HCERR):</p> <p>1 = MCH detected a correctable data error on the host bus. An SCI or SMI hub interface A message will be generated to ICH, if the appropriate bit is enabled in the SCICMD or SMICMD register.</p> <p>0 = Software must write a 1 to clear this bit.</p>
10	<p>External Thermal Trip (ETST):</p> <p>1 = MCH detected a rising edge on the OVERT# or the RDRAM devices report an overtemperature conditions. The OVERT# should be used to receive an interrupt from an external thermal sensor when the sensor has been tripped. An SERR, SCI or SMI hub interface A message will be generated to ICH, if the appropriate bit is enabled in the ERRCMD, SCICMD or SMICMD register.</p> <p>0 = Software must write a 1 to clear this bit.</p>
9	<p>LOCK to non-DRAM Memory Flag (LCKF)—R/WC:</p> <p>1 = When this bit is set it indicates that a host initiated LOCK cycle targeting non-DRAM memory space occurred.</p> <p>0 = Software must write a 1 to clear this bit.</p>
8	<p>SERR on Hub interface B Target Abort (TAHLB):</p> <p>1 = MCH detected that an MCH originated hub interface B cycle is terminated with a Target Abort. An SERR, SCI or SMI hub interface A message will be generated to ICH, if the appropriate bit is enabled in the ERRCMD, SCICMD or SMICMD register.</p> <p>0 = Software must write a 1 to clear this bit.</p>
7	<p>Unimplemented Hub interface B Special Cycle (UNSCB):</p> <p>1 = MCH initiated a hub interface B request that was terminated with a Unimplemented Special Cycle completion packet. An SERR, SCI or SMI hub interface A message will be generated to the ICH, if the appropriate bit is enabled in the ERRCMD, SCICMD or SMICMD register.</p> <p>0 = Software must write a 1 to clear this bit.</p>
6	<p>SERR on hub interface A Target Abort (TAHLA):</p> <p>1 = MCH detected that an MCH originated hub interface A cycle is terminated with a Target Abort. An SERR, SCI or SMI hub interface A message will be generated to the ICH, if the appropriate bit is enabled in the ERRCMD, SCICMD or SMICMD register.</p> <p>0 = Software must write a 1 to clear this bit.</p>
5	<p>Unimplemented Hub interface A Special Cycle (UNSCA):</p> <p>1 = MCH initiated a hub interface A request that was terminated with a Unimplemented Special Cycle completion packet. An SERR, SCI or SMI hub interface A message will be generated to the ICH, if the appropriate bit is enabled in the ERRCMD, SCICMD or SMICMD register.</p> <p>0 = Software must write a 1 to clear this bit.</p>
4	<p>AGP Access Outside of Graphics Aperture Flag (OOGF):</p> <p>1 = Indicates that an AGP access occurred to an address that is outside of the graphics aperture range. An SERR, SCI or SMI hub interface A message will be generated to the ICH, if the appropriate bit is enabled in the ERRCMD, SCICMD or SMICMD register.</p> <p>0 = Software must write a 1 to clear this bit.</p>

Bit	Description
3	<p>Invalid AGP Access Flag (IAAF):</p> <p>1 = An AGP access was attempted outside of the graphics aperture and either to the 640 KB – 1 MB range or above the top of memory. An SERR, SCI or SMI hub interface A message will be generated to the ICH, if the appropriate bit is enabled in the ERRCMD, SCICMD or SMICMD register.</p> <p>0 = Software must write a 1 to clear this bit.</p>
2	<p>Invalid Graphics Aperture Translation Table Entry (ITTEF):</p> <p>1 = An invalid translation table entry was returned in response to an AGP access to the graphics aperture. An SERR, SCI or SMI hub interface A message will be generated to the ICH, if the appropriate bit is enabled in the ERRCMD, SCICMD or SMICMD register.</p> <p>0 = Software must write a 1 to clear this bit.</p>
1	<p>Multiple-bit DRAM ECC Error Flag (DMERR):</p> <p>1 = A memory read data transfer had an uncorrectable multiple-bit error. When this bit is set, the address that caused the error and the syndrome are logged in the EAP register. Once this bit is set, the EAP field in the Error Address Pointer Register and the DECCSYN field in the DRAM Error Control/Status Register are locked until the processor clears this bit by writing a 1. Software uses bits [1:0] to detect whether the logged error address is for Single or Multiple-bit error.</p> <p>0 = Once software completes the error processing, a value of 1 is written to this bit to clear the value (back to 0) and unlock the error logging mechanism.</p>
0	<p>Single-bit DRAM ECC Error Flag (DSERR):</p> <p>1 = A memory read data transfer had a single-bit correctable error and the corrected data was sent for the access. When this bit is set, the address that caused the error and the syndrome are logged in the EAP register. Once this bit is set, the EAP field in the Error Address Pointer Register Register and the DECCSYN field in the DRAM Error Control/Status Register are locked to prevent further single bit error updates until the processor clears this bit by writing a 1. A multiple bit error that occurs after this bit is set will overwrite the EAP field with the multiple bit error address; the DCERR or DUCERR bits in the Dram Error Control/Status Register will also be set.</p> <p>0 = Software must write a 1 to clear this bit and unlock the error logging mechanism.</p>

3.4.37. ERRCMD—Error Command Register (Device 0)

Address Offset: CA–CBh
 Default Value: 0000h
 Access: Read/Write
 Size: 16 bits

This register enables various errors to generate a SERR message via the hub interface A. Since the MCH does not have an SERR# signal, SERR messages are passed from the MCH to the ICH over the hub interface.

Note: The actual generation of the SERR message is globally enabled for Device 0 via the PCI Command register.

Note: An error can generate one and only one error message via the hub interface A. It is software's responsibility to make sure that when an SERR error message is enabled for an error condition, SMI and SCI error messages are disabled for that same error condition.

Bit	Description
15	<p>SERR on Host Bus Error Enable (HBSERR):</p> <p>1 = Enable. Generation of the hub interface A SERR message is enabled for the parity errors on the address or request signals of the front side bus.</p> <p>0 = Disable</p>
14	<p>AGP SERR Enable (AGPSERR):</p> <p>1 = Enable. The generation of the hub interface A SERR message is enabled for the AGP parity error, SERR# or target abort if the appropriate bit is enabled in the device 1 register.</p> <p>0 = Disable. AGP SERR events are ignored.</p>
13	<p>SERR Request from Hub interface B (HLBSERR):</p> <p>1 = Enable. The generation of the hub interface A SERR message is enabled for the receipt of an SERR request from the hub interface B.</p> <p>0 = Disable</p>
12	<p>SERR on Host Uncorrectable Error (HUCSERR):</p> <p>1 = Enable. The generation of the hub interface A SERR message is enabled when the MCH detects the BERR# or the IERR# error condition on the front side bus.</p> <p>0 = Disable</p>
11	Reserved
10	<p>SERR on External Thermal Sensor Trip (THERM_SERR):</p> <p>1 = Enable. The generation of the hub interface A SERR message is enabled when the MCH has detected a rising edge on the OVERT# or the RDRAM devices report an overtemperature conditions.</p> <p>0 = Disable.</p>
9	Reserved
8	<p>SERR on Target Abort on Hub interface B Exception (TAHLB_SERR):</p> <p>1 = Enable. The generation of the hub interface A SERR message is enabled when an MCH originated hub interface B cycle is completed with "Target Abort" status.</p> <p>0 = Disable</p>
7	<p>SERR on Hub interface B Unimplemented Special Cycle (UNSCB_SERR):</p> <p>1 = Enable. When this bit is set, the generation of the hub interface A SERR message is enabled when an MCH initiated hub interface B request is terminated with a Unimplemented Special Cycle completion packet.</p> <p>0 = Disable</p>
6	<p>SERR on Target Abort on Hub interface A Exception (TAHLA_SERR):</p> <p>1 = Enable. The generation of the hub interface A SERR message is enabled when an MCH originated hub interface A cycle is completed with "Target Abort" status.</p> <p>0 = Disable</p>
5	<p>SERR on Hub interface A Unimplemented Special Cycle (UNSCA_SERR):</p> <p>1 = Enable. The generation of the hub interface A SERR message is enabled when an MCH initiated Hub interface A request is terminated with a Unimplemented Special Cycle completion packet.</p> <p>0 = Disable</p>

Bit	Description
4	SERR on AGP Access Outside of Graphics Aperture (OOGF_SERR) 1 = Enable. The generation of the hub interface A SERR message is enabled when an AGP access occurs to an address outside of the graphics aperture. 0 = Disable
3	SERR on Invalid AGP Access (IAAF_SERR) 1 = Enable. The generation of the hub interface A SERR message is enabled when an AGP access occurs to an address outside of the graphics aperture and either to the 640 KB – 1 MB range or above the top of memory. 0 = Disable
2	SERR on Invalid Translation Table Entry (ITTEF_SERR): 1 = Enable. The generation of the hub interface A SERR message is enabled when an invalid translation table entry was returned in response to an AGP access to the graphics aperture. 0 = Disable
1	SERR Multiple-Bit DRAM ECC Error (DMERR_SERR): 1 = Enable. The generation of the hub interface A SERR message is enabled when the MCH DRAM controller detects a multiple-bit error. For systems not supporting ECC, this bit must be disabled. 0 = Disable
0	SERR on Single-bit ECC Error (DSERR): 1 = Enable. When this bit is set, the generation of the hub interface A SERR message is enabled when the MCH DRAM controller detects a single bit error. For systems not supporting ECC, this bit must be disabled. 0 = Disable

3.4.38. SMICMD—SMI Command Register (Device 0)

Address Offset: CC–CDh
 Default Value: 0000h
 Access: Read/Write
 Size: 16 bits

This register enables various errors to generate a SMI message via the hub interface A.

Note: An error can generate one and only one error message via the hub interface A. It is software's responsibility to make sure that when an SMI error message is enabled for an error condition, SERR and SCI error messages are disabled for that same error condition.

Bit	Description
15:12	Reserved
11	SMI on Host Correctable Error (HCSMI): 1 = Enable. When this bit is set, the generation of the hub interface A SMI message is enabled when the MCH has detected a correctable single-bit data error on the host bus. 0 = Disable. This bit must be set to a 0 if the systems does not implement the data correction on the host bus.

Bit	Description
10	<p>SMI on External Thermal Sensor Trip (THERM_SMI):</p> <p>1 = When this bit is set, the generation of the hub interface A SMI message is enabled when the MCH has detected a rising edge on the OVERT# or the RDRAM devices report an overtemperature conditions.</p> <p>0 = Disable</p>
9	Reserved
8	<p>SMI on Target Abort on Hub interface B Exception (TAHLB_SMI):</p> <p>1 = Enable. The generation of the hub interface A SMI message is enabled when an MCH originated hub interface B cycle is completed with "Target Abort" status.</p> <p>0 = Disable.</p>
7	<p>SMI on Hub interface B Unimplemented Special Cycle (UNSCB_SMI):</p> <p>1 = Enable. The generation of the hub interface A SMI message is enabled when an MCH initiated hub interface B request is terminated with a Unimplemented Special Cycle completion packet.</p> <p>0 = Disable.</p>
6	<p>SMI on Target Abort on Hub interface A Exception (TAHLA_SMI):</p> <p>1 = Enable. The generation of the hub interface A SMI message is enabled when an MCH originated hub interface A cycle is completed with "Target Abort" status.</p> <p>0 = Disable</p>
5	<p>SMI on Hub interface A Unimplemented Special Cycle (UNSCA_SMI):</p> <p>1 = Enable. The generation of the hub interface A SMI message is enabled when an MCH initiated Hub interface A request is terminated with a Unimplemented Special Cycle completion packet.</p> <p>0 = Disable</p>
4	<p>SMI on AGP Access Outside of Graphics Aperture (OOGF_SMI):</p> <p>1 = Enable. The generation of the hub interface A SMI message is enabled when an AGP access occurs to an address outside of the graphics aperture.</p> <p>0 = Disable.</p>
3	<p>SMI on Invalid AGP Access (IAAF_SMI):</p> <p>1 = Enable. The generation of the hub interface A SMI message is enabled when an AGP access occurs to an address outside of the graphics aperture and either to the 640 KB – 1 MB range or above the top of memory.</p> <p>0 = Disable.</p>
2	<p>SMI on Invalid Translation Table Entry (ITTEF_SMI):</p> <p>1 = Enable. When this bit is set, the generation of the hub interface A SMI message is enabled when an invalid translation table entry was returned in response to an AGP access to the graphics aperture.</p> <p>0 = Disable.</p>
1	<p>SMI on Multiple-Bit DRAM ECC Error (DMERR_SMI):</p> <p>1 = Enable. The generation of the hub interface A SMI message is enabled when the MCH DRAM controller detects a multiple-bit error.</p> <p>0 = Disable. For systems not supporting ECC this bit must be disabled.</p>
0	<p>SMI on Single-bit ECC Error (DSERR_SMI):</p> <p>1 = Tthe generation of the hub interface A SMI message is enabled when the MCH DRAM controller detects a single bit error.</p> <p>0 = Disable. For systems that do not support ECC, this bit must be disabled.</p>

3.4.39. SCICMD—SCI Command Register (Device 0)

Address Offset: CE–CFh
 Default Value: 0000h
 Access: Read/Write
 Size: 16 bits

This register enables various errors to generate a SCI message via the hub interface A.

Note: An error can generate one and only one error message via the hub interface A. It is software’s responsibility to make sure that when an SCI error message is enabled for an error condition, SERR and SMI error messages are disabled for that same error condition.

Bit	Description
15:13	Reserved
12	SCI on Host Uncorrectable Error (HUCSCI): 1 = Enable. The generation of the hub interface A SCI message is enabled when the MCH detects the BERR# or the IERR# error condition on the front side bus. 0 = Disable.
11	SCI on Host Correctable Error (HCSCI): 1 = Enable. The generation of the hub interface A SCI message is enabled when the MCH has detected a correctable single-bit data error on the host bus. 0 = Disable. This bit must be set to a 0 if the systems does not implement the data correction on the host bus.
10	SCI on External Thermal Sensor Trip (THERM_SCI): 1 = Enable. The generation of the hub interface A SCI message is enabled when the MCH has detected a rising edge on the OVERT# or the RDRAM devices report an overtemperature conditions. 0 = Disable.
9	SCI on LOCK to non-DRAM Memory Flag (LCKF_SCI): 1 = Enable. The generation of the hub interface A SCI message is enabled when a host initiated LOCK cycle targeting non-DRAM memory space has occurred. 0 = Disable. If this bit is set to “0”, then the reporting of this condition is disabled.
8	SCI on Target Abort on Hub interface B Exception (TAHLB_SCI): 1 = Enable. The generation of the hub interface A SCI message is enabled when an MCH originated hub interface B cycle is completed with "Target Abort" status. 0 = Disable.
7	SCI on Hub interface B Unimplemented Special Cycle (UNSCB_SCI): 1 = Enable. The generation of the hub interface A SCI message is enabled when an MCH initiated hub interface B request is terminated with a Unimplemented Special Cycle completion packet. 0 = Disable.
6	SCI on Target Abort on Hub interface A Exception (TAHLA_SCI): 1 = Enable. The generation of the hub interface A SCI message is enabled when an MCH originated hub interface A cycle is completed with "Target Abort" status. 0 = Disable.
5	SCI on Hub interface A Unimplemented Special Cycle (UNSCA_SCI): 1 = Enable. The generation of the hub interface A SCI message is enabled when an MCH initiated Hub interface A request is terminated with a Unimplemented Special Cycle completion packet. 0 = Disable.

Bit	Description
4	<p>SCI on AGP Access Outside of Graphics Aperture (OOGF_SCI):</p> <p>1 = Enable. The generation of the hub interface A SCI message is enabled when an AGP access occurs to an address outside of the graphics aperture.</p> <p>0 = Disable.</p>
3	<p>SCI on Invalid AGP Access (IAAF_SCI):</p> <p>1 = Enable. The generation of the hub interface A SCI message is enabled when an AGP access occurs to an address outside of the graphics aperture and either to the 640 KB – 1 MB range or above the top of memory.</p> <p>0 = Disable.</p>
2	<p>SCI on Invalid Translation Table Entry (ITTEF_SCI):</p> <p>1 = Enable. The generation of the hub interface A SCI message is enabled when an invalid translation table entry was returned in response to an AGP access to the graphics aperture.</p> <p>0 = Disable.</p>
1	<p>SCI on Multiple-Bit DRAM ECC Error (DMERR_SCI):</p> <p>1 = Enable. The generation of the hub interface A SCI message is enabled when the MCH DRAM controller detects a multiple-bit error.</p> <p>0 = Disable. For systems not supporting ECC, this bit must be disabled.</p>
0	<p>SCI on Single-bit ECC Error (DSERR_SCI):</p> <p>1 = Enable. The generation of the hub interface A SCI message is enabled when the MCH DRAM controller detects a single bit error.</p> <p>0 = Disable. For systems that do not support ECC, this bit must be disabled.</p>

3.4.40. SKPD—Scratchpad Data (Device 0)

Address Offset: DE–DFh
Default Value: 0000h
Access: Read/Write
Size: 16 bits

Bit	Description
15:0	<p>Scratchpad [15:0]: These bits are simply R/W storage bits that have no effect on the MCH functionality.</p>

3.4.41. HERRCTL_STS—Host Error Control/Status Register (Device 0)

Address Offset: E0–E1h
 Default Value: 0000h
 Access: Read/Write, Read/Write Clear
 Size: 16 bits

This register enables and reflects the status of various errors checking functions which the MCH supports on the front side bus.

Bit	Description
15	Detected BERR (DBERR)—R/WC: 1 = MCH detected a BERR# error condition on the host bus. 0 = Software must write a 1 to this field to clear it.
14	Detected IERR (DIERR)—R/WC: 1 = MCH detected an IERR# error condition on the host bus. 0 = Software must write a 1 to this field to clear it.
13:12	Reserved
11	Host Bus BERR# and IERR# Enable (BIERREN)—R/W: 1 = Enable. The detection of either a BERR or an IERR signal on the host bus is enabled. The type of message sent is controlled by the ERRCMD, SCICMD, and SMICMD registers. 0 = Disable.
10	Host Bus Multiple Bit Error (HUCERR)—R/WC: 1 = MCH detected an uncorrectable error on the host bus. 0 = Software must write a 1 to this bit to clear it.
9	Host Bus BERR# Enable (HUCBERR)—R/W: 1 = Enable. Generation of the host bus BERR signal when the MCH detects an uncorrectable error on the host bus data pins is enabled. 0 = Disable.
8	Host Bus ECC Generation Strapping Status (HECCSS)—RO: This bit reflects the status of the MCH strapping option of enabling the error correcting codes generation for host bus transactions. 1 = Enable (via strapping option) 0 = Disable (via strapping option)
7:0	Host Bus ECC Syndrome (HECCSYN)—RO: After a host bus ECC error, hardware loads this field with a syndrome that describes the set of bits found to be in error. Note that this field is locked from the time that it is loaded to the time when it is read by software. If the first error was a single bit, correctable error, then a subsequent multiple bit error will overwrite this field. In all other cases, an error which occurs after the first error and before the register has been read by software will escape recording.

3.4.42. DERRCTL_STS—DRAM Error Control/Status Register (Device 0)

Address Offset: E2–E3h
 Default Value: 0000h
 Access: Read Only, Read/Write Clear
 Size: 16 bits

This register enables and reflects the status of various errors checking functions which the MCH supports on the DRAM interface.

Bit	Description
15:12	Reserved
11	DRAM Correctable ECC Error (DCERR)—R/WC: 1 = MCH detected a correctable error on the DRAM Interface. 0 = It is cleared by writing 1 to it or when an uncorrectable error is detected on the bus.
10	DRAM Multiple Bit Error (DUCERR)—R/WC: 1 = MCH detected an uncorrectable error on the DRAM interface. 0 = It is cleared by writing 1 to it.
9:8	Reserved
7:0	DRAM ECC Syndrome (DECCSYN)—RO: After a DRAM ECC error, hardware loads this field with a syndrome that describes the set of bits found to be in error. Note that this field is locked from the time that it is loaded up to the time when it is read by software. If the first error was a single bit, correctable error, then a subsequent multiple bit error will overwrite this field. In all other cases, an error which occurs after the first error and before the register has been read by software will escape recording.

3.4.43. EAP—Error Address Pointer Register (Device 0)

Address Offset: E4–E7h
 Default Value: 0000h
 Access: Read Only
 Size: 32 bits

This register stores the DRAM address when an ECC error occurs.

Bit	Description
31:11	Error Address Pointer (EAP)—RO: This field is used to store the 4 KB block of main memory where an error (single bit or multi-bit error) has occurred. Note that the value of this bit field represents the address of the first single or the first multiple bit error occurrence after the error flag bits in the ERRSTS register have been cleared by software. A multiple bit error will overwrite a single bit error. Once the error flag bits are set as a result of an error, this bit field is locked and doesn't change as a result of a new error.
10:1	Reserved
0	Error Address Segment (EAS)—RO: This bit indicates whether the reported error was found on Rambus* channel 0 or on channel 1. 1 = Channel 1 0 = Channel 0

3.4.44. AGPCTRL—AGP Buffer Strength Control Register

Address Offset: E8–EBh
 Default Value: 0000h
 Access: Read/Write
 Size: 32 bits

This register controls the 3.3V AGP buffer strength. The proper setting is documented in the *Intel® 840 BIOS Specification Update*.

Bit	Description
31:24	AGP Buffer Strength Control 1:
23:16	AGP Buffer Strength Control 2:
15:0	Reserved

3.4.45. AGPAPPEND—AGP Append Disable Register

Address Offset: F6h
 Default Value: 00h
 Access: Read/Write
 Size: 8 bits

This register controls the AGP interface.

Bit	Description
7:6	Reserved
5	AGP Append Disable: 1 = Disable CPU-to-AGP Write Appending 0 = Enable (default).
4:0	Reserved

3.4.46. GTLNCLAMP—GTL N Clamp Disable Register

Address Offset: F7h
 Default Value: 00h
 Access: Read/Write
 Size: 8 bits

Bit	Description
7	Reserved
6:5	GTL N-Clamp Disable Register: 10 = Disable.
4:0	Reserved

3.5. AGP Bridge Registers (Device 1)

Table 5 summarizes the MCH configuration space for Device 1.

Table 5. MCH Configuration Space (Device 1)

Address Offset	Symbol	Register Name	Default Value	Access
00–01h	VID1	Vendor Identification	8086h	RO
02–03h	DID1	Device Identification	1A23h	RO
04–05h	PCICMD1	PCI Command Register	0000h	R/W
06–07h	PCISTS1	PCI Status Register	0020h	RO, R/WC
08	RID1	Revision Identification	00h	RO
09	—	Reserved	00h	—
0Ah	SUBC1	Sub-Class Code	04h	RO
0Bh	BCC1	Base Class Code	06h	RO
0Ch	—	Reserved	00h	—
0Dh	MLT1	Master Latency Timer	00h	R/W
0Eh	HDR1	Header Type	01h	RO
0F–17h	—	Reserved	00h	—
18h	PBUSN1	Primary Bus Number	00h	RO
19h	SBUSN1	Secondary Bus Number	F0h	R/W
1Ah	SUBUSN1	Subordinate Bus Number	00h	R/W
1Bh	SMLT1	Secondary Bus Master Latency Timer	00h	R/W
1Ch	IOBASE1	I/O Base Address Register	00h	R/W
1Dh	IOLIMIT1	I/O Limit Address Register	00h	R/W
1E–1Fh	SSTS1	Secondary Status Register	02A0h	RO, R/WC
20–21h	MBASE1	Memory Base Address Register	FFF0h	R/W
22–23h	MLIMIT1	Memory Limit Address Register	0000h	R/W
24–25h	PMBASE1	Prefetchable Memory Base Address Reg.	FFF0h	R/W
26–27h	PMLIMIT1	Prefetchable Memory Limit Address Reg.	0000h	R/W
28–3Dh	—	Reserved	—	—
3Eh	BCTRL1	Bridge Control Register	00h	R/W
3Fh	—	Reserved	—	—
40h	ERRCMD1	Error Command	00h	R/W
41–FFh	—	Reserved	—	—

3.5.1. VID1—Vendor Identification Register (Device 1)

Address Offset: 00–01h
 Default Value: 8086h
 Attribute: Read Only
 Size: 16 bits

The VID Register contains the vendor identification number. This 16-bit register combined with the Device Identification Register uniquely identify any PCI device. Writes to this register have no effect.

Bit	Description
15:0	Vendor Identification Number: This is a 16-bit value assigned to Intel. Intel VID = 8086h.

3.5.2. DID1—Device Identification Register (Device 1)

Address Offset: 02–03h
 Default Value: 1A23h
 Attribute: Read Only
 Size: 16 bits

This 16-bit register combined with the Vendor Identification register uniquely identifies any PCI device. Writes to this register have no effect.

Bit	Description
15:0	Device Identification Number: This is a 16 bit value assigned to the MCH Device 1. The MCH Device 1 DID = 1A23h.

3.5.3. PCICMD1—PCI-PCI Command Register (Device 1)

Address Offset: 04–05h
 Default: 0000h
 Access: Read Only, Read/Write
 Size: 16 bits

Bit	Descriptions
15:10	Reserved
9	Fast Back-to-Back—RO: (Not Applicable). Hardwired to 0.
8	<p>SERR Message Enable (SERRE1)—R/W. This bit is a global enable bit for Device 1 SERR messaging. The MCH does not have an SERR# signal. The MCH communicates the SERR# condition by sending an SERR message to the ICH.</p> <p>1 = Enable. The MCH is enabled to generate SERR messages over the hub interface for specific Device 1 error conditions that are individually enabled in the BCTRL register. The error status is reported in the PCISTS1 register.</p> <p>0 = Disable. The SERR message is not generated by the MCH for Device 1.</p> <p>NOTE: This bit only controls SERR messaging for the Device 1. Device 0 has its own SERRE bit to control error reporting for error conditions occurring on Device 0.</p>
7	Address/Data Stepping—RO: (Not applicable). Hardwired to 0.
6	Parity Error Enable (PERRE1)— RO: PERR# is not supported on AGP. Hardwired to 0.
5	Reserved
4	Memory Write and Invalidate Enable—RO: (Not Implemented). Hardwired to 0.
3	Special Cycle Enable—RO: (Not Implemented). Hardwired to 0.
2	<p>Bus Master Enable (BME1)— R/W:</p> <p>1 = Enable. AGP Master initiated FRAME# cycles will be accepted by the MCH, if they hit a valid address decode range.</p> <p>0 = Disable (default). AGP Master initiated FRAME# cycles will be ignored by the MCH resulting in a Master Abort.</p> <p>Note that incoming configuration cycles still need to be accepted regardless of the setting of this Bus Master Enable bit. This bit has no affect on AGP Master originated SBA or PIPE# cycles.</p>
1	<p>Memory Access Enable (MAE1)—R/W:</p> <p>1 = Enable. This bit must be 1 to enable the Memory and Prefetchable memory address ranges defined in the MBASE1, MLIMIT1, PMBASE1, and PMLIMIT1 registers.</p> <p>0 = Disable. All of Device 1's memory space is disabled.</p>
0	<p>I/O Access Enable (IOAE1)— R/W: This bit must be set to 1 to enable the I/O address range defined in the IOBASE1, and IOLIMIT1 registers. When set to 0 all of Device 1's I/O space is disabled.</p>

3.5.4. PCISTS1—PCI-PCI Status Register (Device 1)

Address Offset: 06–07h
 Default Value: 0000h
 Access: Read Only, Read/Write Clear
 Size: 16 bits

PCISTS1 is a 16-bit status register that reports the occurrence of error conditions associated with the primary side of the “virtual” PCI-PCI bridge in the MCH. Since this device does not physically reside on PCI_A, it reports the optimum operating conditions so that it does not restrict the capability of PCI_A.

Bit	Descriptions
15	Detected Parity Error (DPE1)—RO: (Not Applicable). Hardwired to 0.
14	Signaled System Error (SSE1)—R/WC: 1 = MCH Device 1 generates an SERR message over the hub interface A for any enabled Device 1 error condition. Device 1 error conditions are enabled in the PCICMD1 and BCTRL1 registers. Device 1 error flags are read/reset from the SSTS1 register. 0 = Software clears this bit by writing a 1 to it.
13	Received Master Abort Status (RMAS1)— RO: (Not Applicable). Hardwired to 0.
12	Received Target Abort Status (RTAS1) —RO: (Not Applicable). Hardwired to 0.
11	Signaled Target Abort Status (STAS1) (RO): (Not Applicable). Hardwired to 0.
10:9	DEVSEL# Timing (DEVT1): This bit field is hardwired to “00b” to indicate that the Device 1 uses the fastest possible decode.
8	Data Parity Detected (DPD1)—RO: Parity is not supported on AGP port. Hardwired to 0.
7	Fast Back-to-Back (FB2B1)—RO: AGP port always supports fast back to back transactions. Hardwired to 1.
6	Reserved.
5	33/66 MHz Capability—RO: AGP port is 66 MHz capable. Hardwired to 1.
4:0	Reserved.

3.5.5. RID1—Revision Identification Register (Device 1)

Address Offset: 08h
 Default Value: 00h
 Access: Read Only
 Size: 8 bits

This register contains the revision number of the MCH device 1. These bits are read only and writes to this register have no effect. For the A-0 Stepping, this value is 00h.

Bit	Description
7:0	Revision Identification Number: This is an 8-bit value that indicates the revision identification number for the MCH Device 1.

3.5.6. SUBC1—Sub-Class Code Register (Device 1)

Address Offset: 0Ah
Default Value: 04h
Access: Read Only
Size: 8 bits

This register contains the Sub-Class Code for the MCH device 1.

Bit	Description
7:0	Sub-Class Code (SUBC1): This is an 8-bit value that indicates the category of Bridge for the MCH. 04h = PCI-to-PCI Bridge.

3.5.7. BCC1—Base Class Code Register (Device 1)

Address Offset: 0Bh
Default Value: 06h
Access: Read Only
Size: 8 bits

This register contains the Base Class Code of the MCH device 1.

Bit	Description
7:0	Base Class Code (BASEC): This is an 8-bit value that indicates the Base Class Code for the MCH device 1. 06h = Bridge device.

3.5.8. MLT1—Master Latency Timer Register (Device 1)

Address Offset: 0Dh
Default Value: 00h
Access: Read/Write
Size: 8 bits

This functionality is not applicable. It is described here since these bits should be implemented as a read/write to prevent standard PCI-PCI bridge configuration software from getting “confused” .

Bit	Description
7:3	Not applicable but support read/write operations. (Reads return previously written data.)
2:0	Reserved.

3.5.9. HDR1—Header Type Register (Device 1)

Offset: 0Eh
Default: 01h
Access: Read Only
Size: 8 bits

This register identifies the header layout of the configuration space.

Bit	Descriptions
7:0	Header Type: Hardwired to 01h.

3.5.10. PBUSN1—Primary Bus Number Register (Device 1)

Offset: 18h
 Default: 00h
 Access: Read Only
 Size: 8 bits

This register identifies that “virtual” PCI-PCI bridge is connected to bus #0.

Bit	Descriptions
7:0	Primary Bus Number: Hardwired to 00h.

3.5.11. SBUSN1—Secondary Bus Number Register (Device 1)

Offset: 19h
 Default: 00h
 Access: Read /Write
 Size: 8 bits

This register identifies the bus number assigned to the second bus side of the “virtual” PCI-PCI bridge (i.e., to AGP). This number is programmed by the PCI configuration software to allow mapping of configuration cycles to AGP.

Bit	Descriptions
7:0	Secondary Bus Number: Programmable. Default=00h.

3.5.12. SUBUSN1—Subordinate Bus Number Register (Device 1)

Offset: 1Ah
 Default: 00h
 Access: Read /Write
 Size: 8 bits

This register identifies the subordinate bus (if any) that resides at the level below AGP. This number is programmed by the PCI configuration software to allow mapping of configuration cycles to AGP.

Bit	Descriptions
7:0	Subordinate Bus Number: Programmable. Default = 0.

3.5.13. SMLT1—Secondary Master Latency Timer Register (Device 1)

Address Offset: 1Bh
 Default Value: 00h
 Access: Read/Write
 Size: 8 bits

This register controls the bus tenure of the MCH on AGP. SMLT1 controls the amount of time the MCH, as a AGP/PCI bus master, can burst data on the AGP Bus. The Count Value is an 8 bit quantity; however, MLT[2:0] are reserved and assumed to be 0 when determining the Count Value. The SMLT1 is used to guarantee to the AGP master a minimum amount of the system resources. When the MCH begins the first AGP FRAME# cycle after being granted the bus, the counter is loaded and enabled to count from the assertion of FRAME#. If the count expires while the MCH's grant is removed (due to AGP master request), the MCH loses the use of the bus, and the AGP master agent may be granted the bus. If the MCH's bus grant is not removed, the MCH continues to own the AGP bus, regardless of the SMLT1 expiration or idle condition. Note that the MCH must always properly terminate an AGP transaction, with FRAME# negation prior to the final data transfer.

The number of clocks programmed in the SMLT1 represents the guaranteed time slice (measured in 66 MHz AGP clocks) allotted to the MCH, after which it must complete the current data transfer phase and then surrender the bus as soon as its bus grant is removed. For example, if the SMLT1 is programmed to 18h, then the value is 24 AGP clocks. The default value of 00h disables this function. When the SMLT1 is disabled, the burst time for the MCH is unlimited (i.e., the MCH can burst forever).

Bit	Description
7:3	Secondary MLT Counter Value: Default=0 (i.e., SMLT1 disabled)
2:0	Reserved.

3.5.14. IOBASE1—I/O Base Address Register (Device 1)

Address Offset: 1Ch
 Default Value: F0h
 Access: Read/Write
 Size: 8 bits

This register control the host to AGP I/O access routing based on the following formula:

$$IO_BASE \leq address \leq IO_LIMIT$$

Only the upper 4 bits are programmable. For the purpose of address decode, address bits A[11:0] are treated as 0. Thus, the bottom of the defined I/O address range will be aligned to a 4 KB boundary.

Note: BIOS must not set this register to 00h; otherwise, 0CF8h/0CFCh accesses will be forwarded to AGP.

Bit	Description
7:4	I/O Address Base: Corresponds to A[15:12] of the I/O address. Default=F0h
3:0	Reserved.

3.5.15. IOLIMIT1—I/O Limit Address Register (Device 1)

Address Offset: 1Dh
 Default Value: 00h
 Access: Read/Write
 Size: 8 bits

This register controls the host to AGP I/O access routing based on the following formula:

$$\text{IO_BASE} \leq \text{address} \leq \text{IO_LIMIT}$$

Only the upper 4 bits are programmable. For the purpose of address decode, address bits A[11:0] are assumed to be FFFh. Thus, the top of the defined I/O address range will be at the top of a 4 KB aligned address block.

Bit	Description
7:4	I/O Address Limit: Corresponds to A[15:12] of the I/O address. Default=0
3:0	Reserved. (Only 16 bit addressing supported.)

3.5.16. SSTS1—Secondary PCI-PCI Status Register (Device 1)

Address Offset: 1E–1Fh
 Default Value: 02A0h
 Access: Read Only, Read/Write Clear
 Size: 16 bits

SSTS is a 16-bit status register that reports the occurrence of error conditions associated with the secondary side (i.e., AGP side) of the “virtual” PCI-PCI bridge in the MCH.

Bit	Descriptions
15	Detected Parity Error (DPE1)—R/WC: 1 = MCH detected a parity error in the address or data phase of AGP bus transactions. 0 = Software sets DPE1 to 0 by writing a 1 to this bit. Note that the function of this bit is not affected by the PERRE1 bit. Also note that PERR# is not implemented in the MCH.
14	Received System Error (SSE1)—R/WC: 1 = MCH generates an SERR message for any enabled error condition under device 1. Device 1 error conditions are enabled in the BCTRL1 register. 0 = Software clears SSE1 to 0 by writing a 1 to this bit.
13	Received Master Abort Status (RMAS1)—R/WC: 1 = MCH terminates a Host-to-AGP with an unexpected master abort. 0 = Software resets this bit to 0 by writing a 1 to it.
12	Received Target Abort Status (RTAS1)—R/WC: 1 = MCH-initiated transaction on AGP is terminated with a target abort. 0 = Software resets RTAS1 to 0 by writing a 1 to it.

Bit	Descriptions
11	Signaled Target Abort Status (STAS1)—RO: MCH does not generate target abort on AGP. Hardwired to a 0.
10:9	DEVSEL# Timing (DEVT1)—RO: This 2-bit field indicates the timing of the DEVSEL# signal when the MCH responds as a target on AGP, and is hardwired to the value 01b (medium) to indicate the time when a valid DEVSEL# can be sampled by the initiator of the PCI cycle.
8	Data Parity Detected (DPD1)—RO: (Not Implemented): Hardwired to 0. MCH does not implement G_PERR# function. However, data parity errors are still detected and reported via the hub interface A (if enabled by SERRE1 bit of the PCICMD1 register and bit 0 of the BCTRL register).
7	Fast Back-to-Back (FB2B1)—RO: MCH, as a target, supports fast back-to-back transactions on AGP. Hardwired to 1.
6	Reserved
5	33/66 MHz Capable (CAP66)—RO: AGP bus is capable of 66 MHz operation. Hardwired to 1.
4:0	Reserved.

3.5.17. MBASE1—Memory Base Address Register (Device 1)

Address Offset: 20–21h
 Default Value: FFF0h
 Access: Read/Write
 Size: 16 bits

This register controls the host to AGP non-prefetchable memory access routing based on the following formula:

$$\text{MEMORY_BASE1} \leq \text{address} \leq \text{MEMORY_LIMIT1}$$

The upper 12 bits of this register are read/write and correspond to the upper 12 address bits A[31:20] of the 32 bit address. The lower 4 bits of this register are read-only and return zeroes when read. This register must be initialized by configuration software. For the purpose of address decode, address bits A[19:0] are assumed to be 0. Thus, the bottom of the defined memory address range will be aligned to a 1 MB boundary.

Bit	Description
15: 4	Memory Address Base 1 (MEM_BASE1): Corresponds to A[31:20] of the memory address.
3:0	Reserved.

3.5.18. MLIMIT1—Memory Limit Address Register (Device 1)

Address Offset: 22–23h
 Default Value: 0000h
 Access: Read/Write
 Size: 16 bits

This register controls the host to AGP non-prefetchable memory access routing based on the following formula:

$$\text{MEMORY_BASE1} \leq \text{address} \leq \text{MEMORY_LIMIT1}$$

The upper 12 bits of the register are read/write and correspond to the upper 12 address bits A[31:20] of the 32 bit address. The lower 4 bits of this register are read-only and return zeroes when read. This register must be initialized by the configuration software. For the purpose of address decode, address bits A[19:0] are assumed to be FFFFh. Thus, the top of the defined memory address range will be at the top of a 1 MB aligned memory block.

Bit	Description
15: 4	Memory Address Limit 1(MEM_LIMIT1): Corresponds to A[31:20] of the memory address. Default=0
3:0	Reserved.

Note: Memory range covered by MBASE1 and MLIMIT1 registers are used to map non-prefetchable AGP address ranges (typically, where control/status memory-mapped I/O data structures of the graphics controller will reside) and PMBASE 1 and PMLIMIT1 are used to map prefetchable address ranges (typically, graphics local memory). This segregation allows application of USWC space attribute to be performed in a true plug-and-play manner to the prefetchable address range for improved host-AGP memory access performance.

3.5.19. PMBASE1—Prefetchable Memory Base Address Register (Device 1)

Address Offset: 24–25h
 Default Value: FFF0h
 Access: Read/Write
 Size: 16 bits

This register controls the host to AGP prefetchable memory accesses routing based on the following formula:

$$\text{PREFETCHABLE_MEMORY_BASE1} \leq \text{address} \leq \text{PREFETCHABLE_MEMORY_LIMIT1}$$

The upper 12 bits of the register are read/write and correspond to the upper 12 address bits A[31:20] of the 32 bit address. The lower 4 bits of this register are read-only and return zeroes when read. This register must be initialized by the configuration software. For the purpose of address decode, address bits A[19:0] are assumed to be 0. Thus, the bottom of the defined memory address range will be aligned to a 1 MB boundary.

Bit	Description
15: 4	Prefetchable Memory Address Base 1(PMEM_BASE1): Corresponds to A[31:20] of the memory address.
3:0	Reserved.

3.5.20. PMLIMIT1—Prefetchable Memory Limit Address Register (Device 1)

Address Offset: 26–27h
 Default Value: 0000h
 Access: Read/Write
 Size: 16 bits

This register controls the host to AGP prefetchable memory accesses routing based on the following formula:

$$\text{PREFETCHABLE_MEMORY_BASE1} \leq \text{address} \leq \text{PREFETCHABLE_MEMORY_LIMIT1}$$

The upper 12 bits of the register are read/write and correspond to the upper 12 address bits A[31:20] of the 32 bit address. The lower 4 bits of this register are read-only and return zeroes when read. This register must be initialized by the configuration software. For the purpose of address decode, address bits A[19:0] are assumed to be FFFFh. Thus, the top of the defined memory address range will be at the top of a 1 MB aligned memory block.

Note: A prefetchable memory range is supported to allow segregation by the configuration software between the memory ranges that must be defined as UC and the ones that can be designated as a USWC (i.e., prefetchable) from the processor perspective.

Bit	Description
15: 4	Prefetchable Memory Address Limit 1(PMEM_LIMIT1): Corresponds to A[31:20] of the memory address. Default=0
3:0	Reserved.

3.5.21. BCTRL1—PCI-PCI Bridge Control Register (Device 1)

Address Offset: 3Eh
 Default: 00h
 Access: Read Only, Read/Write
 Size: 8 bits

This register provides extensions to the PCICMD1 register that are specific to PCI-PCI bridges. The BCTRL provides additional control for the secondary interface (i.e., AGP) as well as some bits that affect the overall behavior of the “virtual” PCI-PCI bridge embedded within MCH (e.g., VGA compatible address ranges mapping).

Bit	Descriptions
7	<p>Fast Back to Back Enable—RO: Since there is only one target allowed on AGP this bit is meaningless. Hardwired to 0. The MCH will not generate FB2B cycles in 1x mode, but will generate FB2B cycles in 2x and 4x Fast Write modes.</p>
6	<p>Secondary Bus Reset—RO: MCH does not support generation of reset via this bit on the AGP. Hardwired to 0.</p> <p>Note that the only way to perform a hard reset of the AGP is via the system reset either initiated by software or hardware via ICH.</p>
5	<p>Master Abort Mode—RO: Hardwired to 0. This means when acting as a master on AGP the MCH will discard data on writes and return all 1s during reads when a Master Abort occurs.</p>
4	Reserved
3	<p>VGA Enable (VGAEN1)—R/W: Controls the routing of host, hub interface A, and hub interface B initiated transactions targeting VGA compatible I/O and memory address ranges.</p> <p>1 = Enable. MCH forwards the following host accesses to the AGP:</p> <ul style="list-style-type: none"> • memory accesses in the range 0A0000h–0BFFFFh • I/O addresses where A[9:0] are in the ranges 3B0h–3BBh and 3C0h–3DFh (inclusive of ISA address aliases; A[15:10] are not decoded) <p>When enabled, forwarding of these accesses issued by the host is independent of the I/O address and memory address ranges defined by the previously defined base and limit registers. Forwarding of these accesses is also independent of the settings of bit 2 (ISA Enable) of this register, if this bit is 1.</p> <p>0 = Disable. VGA compatible memory and I/O range accesses are not forwarded to AGP; rather, they are mapped to primary PCI unless they are mapped to AGP via I/O and memory range registers defined above (IOBASE1, IOLIMIT1, MBASE1, MLIMIT1, PMBASE1, PMLIMIT1)</p> <p>Refer to the <i>System Address Map</i> Chapter for further information.</p>
2	<p>ISA Enable —R/W: Modifies the response by the MCH to an I/O access issued by the host that targets ISA I/O addresses. This applies only to I/O addresses that are enabled by the IOBASE and IOLIMIT registers.</p> <p>1 = MCH will not forward to AGP any I/O transactions addressing the last 768 bytes in each 1 KB block, even if the addresses are within the range defined by the IOBASE and IOLIMIT registers. Instead of going to AGP these cycles are forwarded to PCI0 where they can be subtractively or positively claimed by the ISA bridge.</p> <p>0 = Disable (default). All addresses defined by the IOBASE and IOLIMIT for host I/O transactions are mapped to AGP.</p>
1	<p>SERR# Enable (SERRE)—R/W: This bit controls the forwarding of SERR# on the secondary interface to the primary interface.</p> <p>1= Enable SERRE. MCH generates SERR messages to hub interface A when the SERR# pin on AGP bus is asserted and when the messages are enabled by the SERRE1 bit in the PCICMD1 register.</p> <p>0 = Disable.</p>
0	<p>Parity Error Response Enable—R/W: Controls MCH's response to data phase parity errors on AGP. Note that G_PERR# is not implemented by the MCH.</p> <p>1 = Address and data parity errors on AGP are reported via SERR# mechanism, if enabled by SERRE1 and SERRE.</p> <p>0 = Address and data parity errors on AGP are not reported via the MCH SERR# signal. Other types of error conditions can still be signaled via SERR# independent of this bit's state.</p>

3.5.22. ERRCMD1—Error Command Register (Device 1)

Address Offset: 40h
Default Value: 00h
Access: Read/Write
Size: 8 bits

Bit	Description
7:1	Reserved
0	SERR on Receiving Target Abort (SERTA): 1 = MCH generates an SERR message over hub interface A upon receiving a target abort on AGP. 0 = MCH does not assert an SERR message upon receipt of a target abort on AGP. SERR messaging for Device 1 is globally enabled in the PCICMD1 register.

3.6. Hub interface B Bridge Registers (Device 2)

Table 6 summarizes the MCH configuration space for device 2.

Table 6. MCH Configuration Space (Device 2)

Address Offset	Symbol	Register Name	Default	Access
00–01h	VID2	Vendor Identification	8086h	RO
02–03h	DID2	Device Identification	1A24h	RO
04–05h	PCICMD2	PCI Command Register	0000h	R/W
06–07h	PCISTS2	PCI Status Register	0020h	RO, R/WC
08	RID2	Revision Identification	00h	RO
09	—	Reserved	00h	—
0Ah	SUBC2	Sub-Class Code	04h	RO
0Bh	BCC2	Base Class Code	06h	RO
0Ch	—	Reserved	00h	—
0Dh	MLT2	Master Latency Timer	00h	R/W
0Eh	HDR2	Header Type	01h	RO
0F–17h	—	Reserved	00h	—
18h	PBUSN2	Primary Bus Number	00h	RO
19h	SBUSN2	Secondary Bus Number	00h	R/W
1Ah	SUBUSN2	Subordinate Bus Number	00h	R/W
1Bh	SMLT2	Secondary Bus Master Latency Timer	00h	R/W
1Ch	IOBASE2	I/O Base Address Register	F0h	R/W
1Dh	IOLIMIT2	I/O Limit Address Register	00h	R/W
1E–1Fh	SSTS2	Secondary Status Register	02A0h	RO, R/WC
20–21h	MBASE2	Memory Base Address Register	FFF0h	R/W
22–23h	MLIMIT2	Memory Limit Address Register	0000h	R/W
24–25h	PMBASE2	Prefetchable Memory Base Address Reg.	FFF0h	R/W
26–27h	PMLIMIT2	Prefetchable Memory Limit Address Reg.	0000h	R/W
28–3Dh	—	Reserved	—	—
3Eh	BCTRL2	Bridge Control Register	00h	R/W
3Fh	—	Reserved	—	—
40h	ERRCMD2	Error Command	00h	R/W
41–FFh	—	Reserved	—	—

3.6.1. VID2—Vendor Identification Register (Device 2)

Address Offset: 00–01h
Default Value: 8086h
Attribute: Read Only
Size: 16 bits

The VID Register contains the vendor identification number. This 16-bit register combined with the Device Identification Register uniquely identify any PCI device. Writes to this register have no effect.

Bit	Description
15:0	Vendor Identification Number: This is a 16-bit value assigned to Intel. Intel VID = 8086h.

3.6.2. DID2—Device Identification Register (Device 2)

Address Offset: 02–03h
Default Value: 1A24h
Attribute: Read Only
Size: 16 bits

This 16-bit register combined with the Vendor Identification register uniquely identifies any PCI device. Writes to this register have no effect.

Bit	Description
15:0	Device Identification Number: This is a 16 bit value assigned to the MCH Device 2. The MCH Device 2 DID = 1A24h.

3.6.3. PCICMD2—PCI-PCI Command Register (Device 2)

Address Offset: 04–05h
 Default: 0000h
 Access: Read Only, Read/Write
 Size: 16 bits

Bit	Descriptions
15:10	Reserved.
9	Fast Back-to-Back—RO: (Not applicable). Hardwired to 0.
8	<p>SERR Message Enable (SERRE2)—R/W: This bit is a global enable bit for Device 2 SERR messaging. The MCH does not have an SERR# signal. The MCH communicates the SERR# condition by sending an SERR message to the ICH.</p> <p>1 = Enable. MCH is enabled to generate SERR messages over the hub interface A for specific Device 2 error conditions that are individually enabled in the BCTRL2 register. The error status is reported in the PCISTS2 register.</p> <p>0 = SERR message is not generated by the MCH for Device 2.</p> <p>NOTE: This bit only controls SERR messaging for the Device 2. Device 0 has its own SERRE bit to control error reporting for error conditions occurring on Device 0.</p>
7	Address/Data Stepping—RO: (Not applicable). Hardwired to 0.
6	Parity Error Enable (PERRE2)—R/W: (Not applicable). Supported as a read/write bit to avoid issues with standard PCI-PCI Bridge configuration software.
5	Reserved.
4	Memory Write and Invalidate Enable—R/W: (Not applicable). Supported as a read/write bit to avoid issues with standard PCI-PCI Bridge configuration software.
3	Special Cycle Enable—R/W: (Not applicable). Supported as a read/write bit to avoid issues with standard PCI-PCI Bridge configuration software.
2	<p>Bus Master Enable (BME2)—R/W:</p> <p>1 = Enable. Device#2 (virtual P2P bridge) operates as a master on the primary interface on behalf of a master on the secondary interface for memory or I/O transaction.</p> <p>0 = Disable. Device 2 disables response to all memory or I/O transactions on the secondary interface.</p>
1	Memory Access Enable (MAE2)—R/W: (Not applicable). Supported as a read/write bit to avoid issues with standard PCI-PCI Bridge configuration software.
0	I/O Access Enable (IOAE2)—R/W: (Not applicable). Supported as a read/write bit to avoid issues with standard PCI-PCI Bridge configuration software.

3.6.4. PCISTS2—PCI-PCI Status Register (Device 2)

Address Offset: 06–07h
 Default Value: 00A0h
 Access: Read Only, Read/Write Clear
 Size: 16 bits

PCISTS2 reports the occurrence of error conditions associated with the primary side of the “virtual” PCI-PCI bridge in the MCH. Since this device does not physically reside on PCI_A, it reports the optimum operating conditions so that it does not restrict the capability of PCI_A.

Bit	Descriptions
15	Detected Parity Error (DPE2)—RO: (Not Applicable). Hardwired to 0.
14	Signaled System Error (SSE2)—R/WC: 1 = MCH Device 2 generates an SERR message over the hub interface A for any enabled Device 2 error condition. Device 2 error conditions are enabled in the PCICMD2 and BCTRL2 registers. Device 2 error flags are read/reset from the SSTS2 register. 0 = Software clears this bit by writing a 1 to it.
13	Received Master Abort Status (RMAS2)—RO: (Not Applicable). Hardwired to 0.
12	Received Target Abort Status (RTAS2)—RO: (Not Applicable). Hardwired to 0.
11	Signaled Target Abort Status (STAS2)—RO: (Not Applicable). Hardwired to 0.
10:9	DEVSEL# Timing (DEVT2)—RO: Device 2 uses the fastest possible decode. Hardwired to 00.
8	Data Parity Detected (DPD2)—RO: (Not Applicable). Hardwired to 0.
7	Fast Back-to-Back (FB2B2)—RO: Fast back-to-back writes are always supported. Hardwired to 1.
6	Reserved.
5	33/66 MHz Capability—RO: Capable of 66 MHz operation. Hardwired to 1.
4:0	Reserved.

3.6.5. RID2—Revision Identification Register (Device 2)

Address Offset: 08h
 Default Value: 00h
 Access: Read Only
 Size: 8 bits

This register contains the revision number of the MCH Device 2. These bits are read only and writes to this register have no effect.

Bit	Description
7:0	Revision Identification Number: This is an 8-bit value that indicates the revision identification number for the MCH Device 2. A-0 Stepping = 00h.

3.6.6. SUBC2—Sub-Class Code Register (Device 2)

Address Offset: 0Ah
 Default Value: 04h
 Access: Read Only
 Size: 8 bits

This register contains the Sub-Class Code for the MCH Device 2.

Bit	Description
7:0	Sub-Class Code (SUBC2): This is an 8-bit value that indicates the category of Bridge for the MCH. 04h = PCI-PCI Bridge.

3.6.7. BCC2—Base Class Code Register (Device 2)

Address Offset: 0Bh
 Default Value: 06h
 Access: Read Only
 Size: 8 bits

This register contains the Base Class Code of the MCH Device 2.

Bit	Description
7:0	Base Class Code (BASEC2): This is an 8-bit value that indicates the Base Class Code for the MCH Device 2. 06h = Bridge device.

3.6.8. MLT2—Master Latency Timer Register (Device 2)

Address Offset: 0Dh
 Default Value: 00h
 Access: Read/Write
 Size: 8 bits

This functionality is not applicable. It is described here since these bits should be implemented as a read/write to prevent issues with standard PCI-PCI bridge configuration software.

Bit	Description
7:3	MLT Count Value: Not applicable but support read/write operations. (Reads return previously written data.)
2:0	Reserved.

3.6.9. HDR2—Header Type Register (Device 2)

Offset: 0Eh
 Default: 01h
 Access: Read Only
 Size: 8 bits

This register identifies the header layout of the configuration space.

Bit	Descriptions
7:0	Header Type: This read only field always returns 01h when read. Writes have no effect.

3.6.10. PBUSN2—Primary Bus Number Register (Device 2)

Offset: 18h
Default: 00h
Access: Read Only
Size: 8 bits

This register identifies that “virtual” PCI-PCI bridge is connected to bus #0.

Bit	Descriptions
7:0	Primary Bus Number: Hardwired to 0.

3.6.11. SBUSN2—Secondary Bus Number Register (Device 2)

Offset: 19h
Default: 00h
Access: Read /Write
Size: 8 bits

This register identifies the bus number assigned to the second bus side of the “virtual” PCI-PCI bridge (the hub interface B connection). This number is programmed by the PCI configuration software to allow mapping of configuration cycles to a second bridge device connected to hub interface B.

Bit	Descriptions
7:0	Secondary Bus Number: Programmable. Default=00h.

3.6.12. SUBUSN2—Subordinate Bus Number Register (Device 2)

Offset: 1Ah
Default: 00h
Access: Read /Write
Size: 8 bits

This register identifies the subordinate bus (if any) that resides at the level below the secondary hub interface. This number is programmed by the PCI configuration software to allow mapping of configuration cycles to devices subordinate to the secondary hub interface port.

Bit	Descriptions
7:0	Subordinate Bus Number: Programmable Default = 0.

3.6.13. SMLT2—Secondary Master Latency Timer Register (Device 2)

Address Offset: 1Bh
Default Value: 00h
Access: Read/Write
Size: 8 bits

Bit	Description
7:3	Secondary MLT counter value (SMLT): Default=0 (SMLT disabled)
2:0	Reserved.

3.6.14. IOBASE2—I/O Base Address Register (Device 2)

Address Offset: 1Ch
 Default Value: F0h
 Access: Read/Write
 Size: 8 bits

This register controls the host to hub interface B I/O access routing based on the following formula:

$$\text{IO_BASE2} \leq \text{address} \leq \text{IO_LIMIT2}$$

Only the upper 4 bits are programmable. For the purpose of address decode, address bits A[11:0] are treated as 0. Thus, the bottom of the defined I/O address range will be aligned to a 4 KB boundary.

Bit	Description
7:4	I/O Address Base 2: Corresponds to A[15:12] of the I/O addresses passed by the device 2 bridge to hub interface B. Default=Fh
3:0	Reserved.

3.6.15. IOLIMIT2—I/O Limit Address Register (Device 2)

Address Offset: 1Dh
 Default Value: 00h
 Access: Read/Write
 Size: 8 bits

This register controls the host to hub interface B I/O access routing based on the following formula:

$$\text{IO_BASE2} \leq \text{address} \leq \text{IO_LIMIT2}$$

Only the upper 4 bits are programmable. For the purpose of address decode, address bits A[11:0] are assumed to be FFFh. Thus, the top of the defined I/O address range will be at the top of a 4 KB aligned address block.

Bit	Description
7:4	I/O Address Limit: Corresponds to A[15:12] of the I/O address limit of Device 2. Default=0
3:0	Reserved. (Only 16 bit addressing supported.)

3.6.16. SSTS2—Secondary PCI-PCI Status Register (Device 2)

Address Offset: 1E–1Fh
 Default Value: 02A0h
 Access: Read Only, Read/Write Clear
 Size: 16 bits

SSTS2 reports the occurrence of error conditions associated with secondary side (i.e., hub interface B side) of the “virtual” PCI-PCI bridge embedded within MCH.

Bit	Descriptions
15	Detected Parity Error (DPE2)—R/WC: This bit is set to a 1 to indicate MCH’s detection of a parity error in the address or data phase of hub interface B bus transactions. Software clear this bit by writing a 1 to this bit. Note that the function of this bit is not affected by the PERRE2 bit. Also note that PERR# is not implemented in the MCH.
14	Received System Error (SSE2)—R/WC: 1 = MCH received an SERR message across the hub interface B. 0 = Software clears this bit by writing a 1 to this bit.
13	Received Master Abort Status (RMAS2)—R/WC: 1 = MCH terminates a Host-to-hub interface B with an unexpected master abort. 0 = Software clears this bit to 0 by writing a 1 to it.
12	Received Target Abort Status (RTAS2)—R/WC: 1 = MCH-initiated transaction on hub interface B is terminated with a target abort. 0 = Software clear this bit by writing a 1 to it.
11	Signaled Target Abort Status (STAS2)—RO: (Not Applicable). Hardwired to 0.
10:9	DEVSEL# Timing (DEVT2)—RO: This 2-bit field indicates the timing of the DEVSEL# signal when the MCH responds as a target on hub interface B, and is hard-wired to the value 01b (medium) to indicate the time when a valid DEVSEL# can be sampled by the initiator of the PCI cycle. 01 = Medium
8	Data Parity Detected (DPD2)—RO: (Not Applicable). Hardwired to 0.
7	Fast Back-to-Back (FB2B2)—RO: MCH as a target supports fast back-to-back transactions on hub interface B. Hardwired to 1.
6	Reserved
5	33/66MHz Capable (CAP66)—RO: Hub interface B is capable of 66 MHz operation. Hardwired to 1.
4:0	Reserved.

3.6.17. MBASE2—Memory Base Address Register (Device 2)

Address Offset: 20–21h
 Default Value: FFF0h
 Access: Read/Write
 Size: 16 bits

This register controls the host to hub interface B non-prefetchable memory access routing based on the following formula:

$$\text{MEMORY_BASE2} \leq \text{address} \leq \text{MEMORY_LIMIT2}$$

The upper 12 bits of the register are read/write and correspond to the upper 12 address bits A[31:20] of the 32 bit address. The lower 4 bits of this register are read-only and return zeroes when read. This register must be initialized by the configuration software. For the purpose of address decode, address bits A[19:0] are assumed to be 0. Thus, the bottom of the defined memory address range will be aligned to a 1 MB boundary.

Bit	Description
15: 4	Memory Address Base 2 (MEM_BASE2): Corresponds to A[31:20] of the lower limit memory address that will be passed by the Device 2 to hub interface B.
3:0	Reserved.

3.6.18. MLIMIT2—Memory Limit Address Register (Device 2)

Address Offset: 22–23h
 Default Value: 0000h
 Access: Read/Write
 Size: 16 bits

This register controls the host to hub interface B non-prefetchable memory access routing based on the following formula:

$$\text{MEMORY_BASE2} \leq \text{address} \leq \text{MEMORY_LIMIT2}$$

The upper 12 bits of the register are read/write and correspond to the upper 12 address bits A[31:20] of the 32 bit address. The lower 4 bits of this register are read-only and return zeroes when read. This register must be initialized by the configuration software. For the purpose of address decode, address bits A[19:0] are assumed to be FFFFh. Thus, the top of the defined memory address range will be at the top of a 1MB aligned memory block.

Bit	Description
15: 4	Memory Address Limit 2(MEM_LIMIT2): Bits 15:4 correspond to A[31:20] of the upper limit memory address that will be passed by the Device 2 to hub interface B. Default=0
3:0	Reserved.

Note: Memory range covered by MBASE2 and MLIMIT2 registers are used to map non-prefetchable hub interface B address ranges (typically, where control/status memory-mapped I/O data structures of the graphics controller will reside) and PMBASE2 and PMLIMIT2 are used to map prefetchable address ranges (typically, graphics local memory). This segregation allows application of USWC space attribute to be performed in a true plug-and-play manner to the prefetchable address range for improved host-hub interface B memory access performance.

3.6.19. PMBASE2—Prefetchable Memory Base Address Register (Device 2)

Address Offset: 24–25h
 Default Value: FFF0h
 Access: Read/Write
 Size: 16 bits

This register controls the host to hub interface B prefetchable memory accesses routing based on the following formula:

$$\text{PREFETCHABLE_MEMORY_BASE2} \leq \text{address} \leq \text{PREFETCHABLE_MEMORY_LIMIT2}$$

The upper 12 bits of the register are read/write and correspond to the upper 12 address bits A[31:20] of the 32 bit address. The lower 4 bits of this register are read-only and return zeroes when read. This register must be initialized by the configuration software. For the purpose of address decode, address bits A[19:0] are assumed to be 0. Thus, the bottom of the defined memory address range will be aligned to a 1 MB boundary.

Bit	Description
15: 4	Prefetchable Memory Address Base 2(PMEM_BASE2): Bits 15:4 correspond to A[31:20] of the memory address.
3:0	Reserved.

3.6.20. PMLIMIT2—Prefetchable Memory Limit Address Register (Device 2)

Address Offset: 26–27h
 Default Value: 0000h
 Access: Read/Write
 Size: 16 bits

This register controls the host to hub interface B prefetchable memory accesses routing based on the following formula:

$$\text{PREFETCHABLE_MEMORY_BASE2} \leq \text{address} \leq \text{PREFETCHABLE_MEMORY_LIMIT2}$$

The upper 12 bits of the register are read/write and correspond to the upper 12 address bits A[31:20] of the 32 bit address. The lower 4 bits of this register are read-only and return zeroes when read. This register must be initialized by the configuration software. For the purpose of address decode, address bits A[19:0] are assumed to be FFFFh. Thus, the top of the defined memory address range will be at the top of a 1 MB aligned memory block.

Bit	Description
15: 4	Prefetchable Memory Address Limit 2(PMEM_LIMIT2): Bits 15:4 correspond to A[31:20] of the memory address. Default=0
3:0	Reserved.

Note that prefetchable memory range is supported to allow segregation by the configuration software between the memory ranges that must be defined as UC and the ones that can be designated as a USWC (i.e. prefetchable) from the processor perspective.

3.6.21. BCTRL2—PCI-PCI Bridge Control Register (Device 2)

Address Offset: 3Eh
 Default: 00h
 Access: Read/Write
 Size: 8 bits

This register provides extensions to the PCICMD2 register that are specific to PCI-PCI bridges. The BCTRL2 provides additional control for the secondary interface (i.e., hub interface B) as well as some bits that affect the overall behavior of the “virtual” PCI-PCI bridge in the MCH (e.g., VGA compatible address ranges mapping).

Bit	Descriptions
7	Fast Back to Back Enable—RO: The MCH does not generate fast back-to-back cycles as a master on hub interface B. This bit is hardwired to 0.
6	Secondary Bus Reset—RO: MCH does not support generation of reset via this bit on the hub interface B. This bit is hardwired to 0.
5	Master Abort Mode—RO: Hardwired to 0. As a master on hub interface B the MCH will discard data on writes and return all 1s during reads when a Master Abort occurs.
4	Reserved
3	<p>VGA2 Enable (VGAEN2)—R/W: Controls the routing of host initiated transactions targeting VGA compatible I/O and memory address ranges.</p> <p>1 = Enable. The MCH will forward the following host accesses to the hub interface B:</p> <ul style="list-style-type: none"> memory accesses in the range 0A0000h–0BFFFFh I/O addresses where A[9:0] are in the ranges 3B0h–3BBh and 3C0h–3DFh (inclusive of ISA address aliases: A[15:10] are not decoded) <p>When enabled, forwarding of these accesses issued by the processor is independent of the I/O address and memory address ranges defined by the previously defined base and limit registers. Forwarding of these accesses is also independent of the settings of bit 2 (ISA Enable) of this register, if this bit is 1.</p> <p>0 = Disable (default). VGA compatible memory and I/O range accesses are not forwarded to hub interface B; rather, they are subtractively mapped to primary PCI unless they are mapped to hub interface B via I/O and memory range registers defined above (IOBASE2, IOLIMIT2, MBASE2, MLIMIT2, PMBASE2, PMLIMIT2)</p> <p>Refer to the <i>System Address Map</i> Chapter for further information.</p>
2	<p>ISA Enable—R/W: This bit modifies the response by the MCH to an I/O access issued by the processor that target ISA I/O addresses. This applies only to I/O addresses that are enabled by the IOBASE and IOLIMIT registers.</p> <p>1 = Enable. MCH will not forward to hub interface B any I/O transactions addressing the last 768 bytes in each 1 KB block, even if the addresses are within the range defined by the IOBASE and IOLIMIT registers. Instead of going to hub interface B, these cycles are forwarded to hub interface A where they can be subtractively or positively claimed by the ISA bridge.</p> <p>0 = Disable (default). All addresses defined by the IOBASE and IOLIMIT for processor I/O transactions will be mapped to hub interface B.</p>
1	<p>SERR# Enable (SERRE1)—R/W: This bit enables or disables forwarding of SERR messages from hub interface B to hub interface A, where they can be converted into interrupts that are eventually delivered to the processor.</p> <p>1 = Enable.</p> <p>0 = Disable.</p>

Bit	Descriptions
0	<p>Parity Error Response Enable—R/W: This bit controls MCH's response to data phase parity errors on hub interface B.</p> <p>1 = Address and data parity errors on hub interface B are reported via SERR# mechanism, if enabled by SERRE2 and SERREN.</p> <p>0 = address and data parity errors on hub interface B are not reported via the MCH SERR# signal. Other types of error conditions can still be signaled via SERR# independent of this bit's state.</p>

3.6.22. ERRCMD2—Error Command Register (Device 2)

Address Offset: 40h
 Default Value: 00h
 Access: Read/Write
 Size: 8 bits

Bit	Description
7:1	Reserved
0	<p>SERR on Receiving Target Abort (SERTA):</p> <p>1 = MCH generates an SERR message over hub interface A upon receiving a target abort on hub interface B.</p> <p>0 = MCH does not assert an SERR message upon receipt of a target abort on hub interface B. SERR messaging for Device 2 is globally enabled in the PCICMD2 register.</p>

4. System Address Map

A system based on the 82840 chipset supports 4 GB of addressable memory space and 64 KB+3 of addressable I/O space. The I/O and memory spaces are divided by system configuration software into regions. The memory ranges are useful either as system memory or as specialized memory, while the I/O regions are used solely to control the operation of devices in the system.

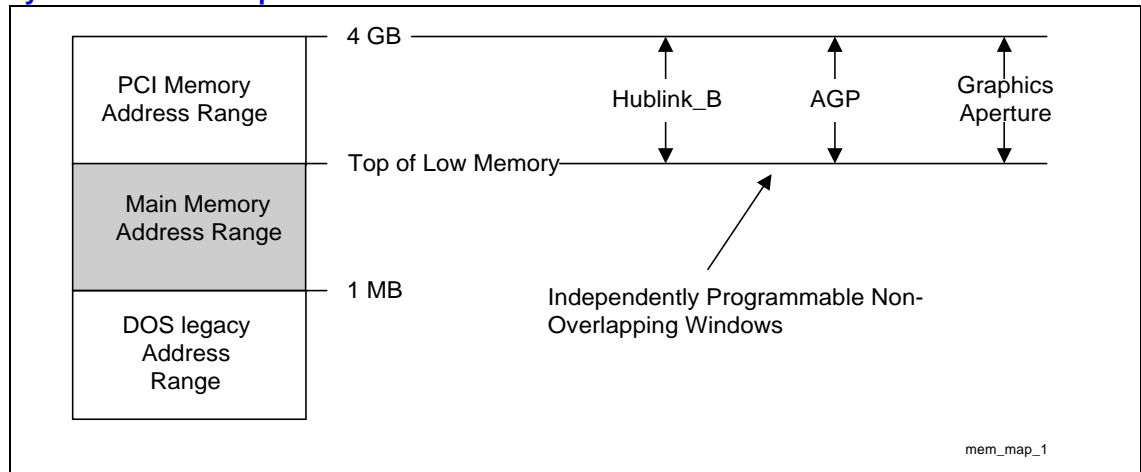
The Pentium® II and Pentium® III processor families support addressing of memory ranges larger than 4 GB. The 82840 MCH claims any access that maps neither to an expansion bus nor to system memory (including accesses over 4 GB) by terminating the transaction without forwarding it to hub interface A, hub interface B, or AGP. When the MCH receives a write request whose address targets an invalid space, the data is ignored. For reads, the MCH responds by returning all 0s on the requesting interface.

4.1. Memory Address Ranges

The system memory map is broken into three categories:

- **Extended Memory Range (1 MB to 4 GB)** - The extended memory range (1 MB to 4 GB) contains a 32 bit memory space. This memory space is used for mapping PCI, AGP, APIC, SMRAM, and BIOS memory spaces.
- **DOS Compatible Area (below 1 MB)** - The DOS Compatibility Area is a DOS legacy space. It is used for BIOS and legacy devices on the LPC interface.

Figure 3. System Address Map



4.1.1. DOS Compatibility Area

This area is divided into the following address regions:

- 0–640 KB DOS Area
- 640–768 KB Video Buffer Area
- 768–896 KB in 16 KB sections (total of 8 sections) - Expansion Area
- 896 -960 KB in 16 KB sections (total of 4 sections) - Extended System BIOS Area
- 960 KB - 1 MB Memory (BIOS Area) - System BIOS Area

There are sixteen memory segments in the compatibility area. Thirteen of the memory ranges can be enabled or disabled independently for both read and write cycles.

Table 7. Memory Segments and their Attributes

Memory Segments	Attributes	Comments
000000h–09FFFFh	Fixed (Always mapped to main DRAM)	0 to 640 KB (DOS Region)
0A0000h–0BFFFFh	Mapped to the hub interface or AGP (Configurable as SMM space)	Video Buffer (physical DRAM configurable as SMM space)
0C0000h–0C3FFFh	WE RE	Add-on BIOS
0C4000h–0C7FFFh	WE RE	Add-on BIOS
0C8000h–0CBFFFh	WE RE	Add-on BIOS
0CC000h–0CFFFFh	WE RE	Add-on BIOS
0D0000h–0D3FFFh	WE RE	Add-on BIOS
0D4000h–0D7FFFh	WE RE	Add-on BIOS
0D8000h–0DBFFFh	WE RE	Add-on BIOS
0DC000h–0DFFFFh	WE RE	Add-on BIOS
0E0000h–0E3FFFh	WE RE	BIOS Extension
0E4000h–0E7FFFh	WE RE	BIOS Extension
0E8000h–0EBFFFh	WE RE	BIOS Extension
0EC000h–0EFFFFh	WE RE	BIOS Extension
0F0000h–0FFFFFFh	WE RE	BIOS Area

DOS Area (00000h–9FFFFh)

The DOS area is 640 KB in size and is always mapped to the main memory controlled by the MCH.

Video Buffer Area (A0000h–BFFFFh)

The 128 KB graphics adapter memory region is normally mapped to a legacy video device on the primary PCI bus (PCI_A) behind the hub interface (typically, a VGA controller). This region is also the default region for SMM space.

Accesses to this range can be directed to AGP by setting the VGAEN bit in the BCTRL1 (PCI-PCI Bridge Control) register in Device 1. In addition, accesses to this range can be directed to the hub interface B by setting the VGAEN bit in the BCTRL2 (PCI-PCI Bridge Control) register in Device 2.

The control is applied for accesses initiated from any of the system interfaces (i.e., processor bus, hub interface A/PCI, hub interface B, and AGP). Note that no AGP – Hub Interface accesses are supported.

The SMRAM Control register controls how SMM accesses to this space are treated.

Compatible SMRAM Address Range (A0000h–BFFFFh)

When compatible SMM space is enabled, SMM mode processor accesses to this range are routed to physical DRAM at this address. Non-SMM-mode processor accesses to this range are considered to be to the Video Buffer Area as described above. Originated cycles from AGP or the hub interface to enabled SMM space are not allowed and are considered to be to the Video Buffer Area.

Monochrome Adapter (MDA) Range (B0000h–B7FFFh)

Legacy support requires the ability to have a second graphics controller (monochrome) in the system. Since the monochrome adapter may be on the hub interface A bus, the MCH must decode cycles in the MDA range and forward them to hub interface A. This capability is controlled by the MDAP bit in device 0 configuration space register at offset BEh). In addition to the memory range B0000h–B7FFFh, the MCH decodes IO cycles at 3B4h, 3B5h, 3B8h, 3B9h, 3BAh, and 3BFh and forwards them to the hub interface A bus.

ISA Expansion Area (C0000h–DFFFFh)

This 128 KB ISA Expansion region is divided into eight 16 KB segments. Each segment can be assigned one of four Read/Write states: read-only, write-only, read/write, or disabled. Typically, these blocks are mapped through the MCH and are subtractively decoded to the ISA space. Memory that is disabled is not remapped.

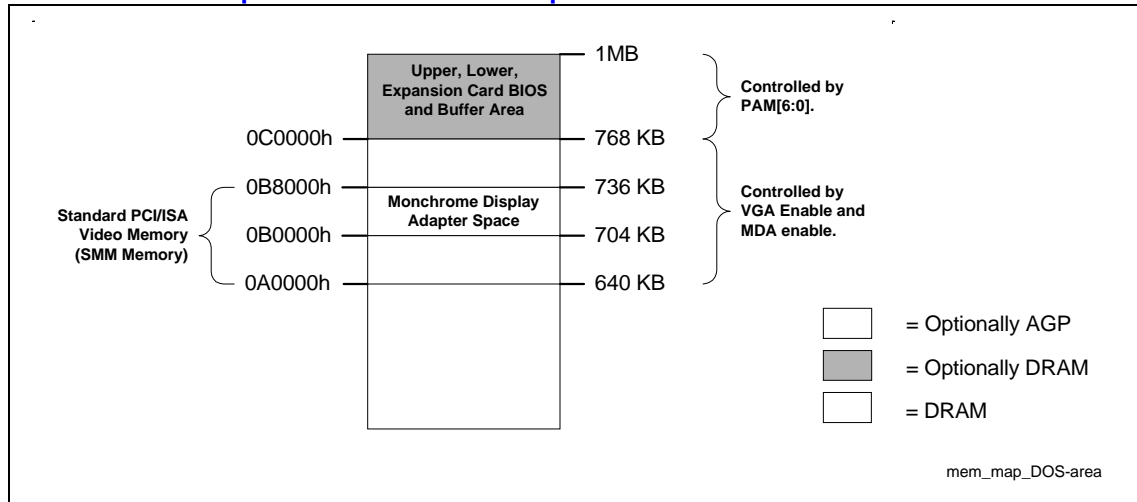
Extended System BIOS Area (E0000h–EFFFFh)

This 64 KB area is divided into four 16 KB segments. Each segment can be assigned independent read and write attributes so it can be mapped either to main DRAM or to the hub interface. Typically, this area is used for RAM or ROM. Memory segments that are disabled are not remapped elsewhere.

System BIOS Area (F0000h–FFFFFFh)

This area is a single 64 KB segment. This segment can be assigned read and write attributes. It is by default (after reset) Read/Write disabled and cycles are forwarded to the hub interface. By manipulating the Read/Write attributes, the MCH can “shadow” BIOS into the main DRAM. When disabled, this segment is not remapped.

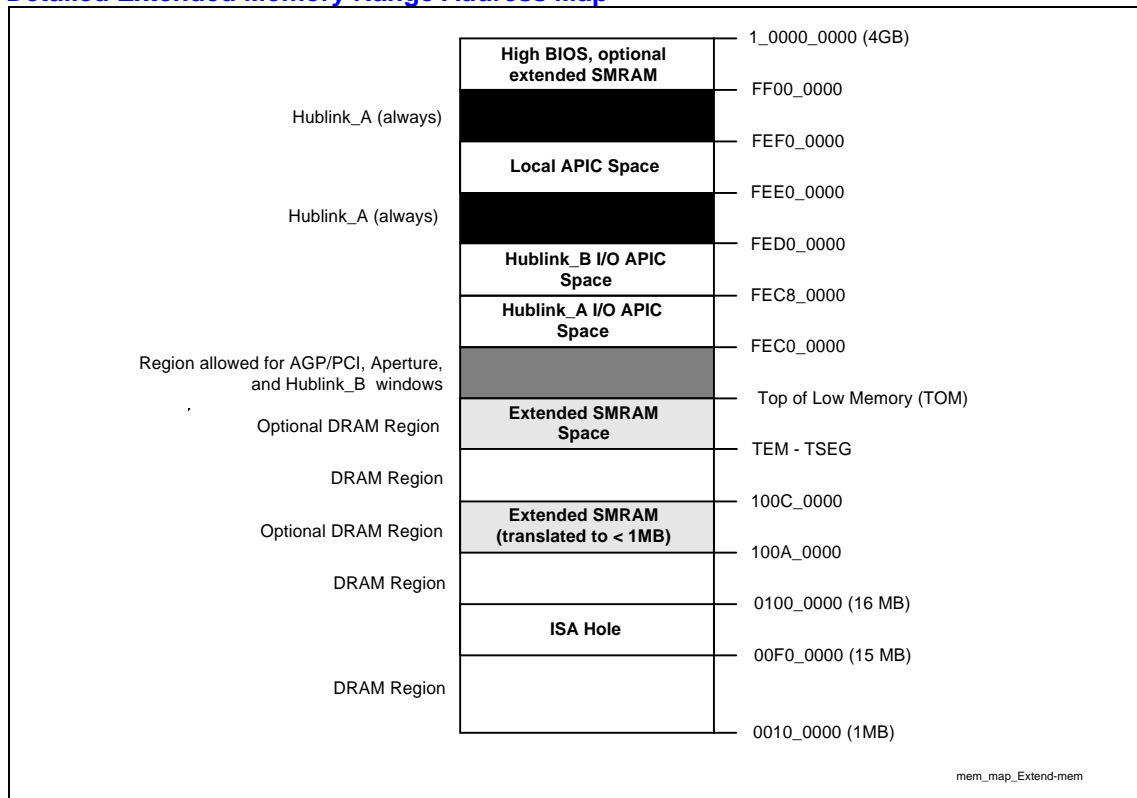
Figure 4. Detailed DOS Compatible Area Address Map



4.1.2. Extended Memory Area

This memory area contains the main DRAM address range. It is divided into regions as shown in Figure 5.

Figure 5. Detailed Extended Memory Range Address Map



ISA Hole Memory Space (0_00F0_0000 to 0_00FF_FFFF)

This memory hole is opened through the FDHC register (device 0, offset 58h). When it is enabled, accesses to this region are forward to hub interface A.

Extended SMRAM Address Range

The HSEG and TSEG SMM transaction address spaces reside in this extended memory area.

HSEG (0_FFEA_0000 to 0_FFEB_FFFF)

SMM-mode processor accesses to enabled HSEG are remapped to 000A0000h–000BFFFFh. Non-SMM-mode processor accesses to enabled HSEG are considered invalid and remapped to address 0h (byte enables are deasserted for the writes). The exception to this rule are Non-SMM-mode write back cycles that are remapped to SMM space to maintain cache coherency. Originated cycle from AGP or the hub interface to enabled SMM space are not allowed. Physical DRAM behind the HSEG transaction address is not remapped and is not accessible.

TSEG (TOM to TOM - TSEG)

TSEG can be up to 1 MB in size and is at the top of memory. SMM-mode processor accesses to enabled TSEG access the physical DRAM at the same address. Non-SMM-mode processor accesses to enabled TSEG are considered invalid. The exception to this rule are Non-SMM-mode write back cycles that are directed to the physical SMM space to maintain cache coherency. Originated cycle from AGP or the hub interface to enabled SMM space are not allowed.

APIC Configuration Space (FEC0_0000h–FECF_FFFFh, FEE0_0000h–FEEF_FFFFh)

This range is reserved for APIC configuration space which includes the default I/O APIC configuration space. The default Local APIC configuration space is FEE0_0000h to FEEF_0FFFh. The 82840 MCH only decodes the FEC0_0000h to FECF_FFFFh range and forwards them to hub interface A or hub interface B.

Host accesses to the Local APIC configuration space do not result in external bus activity since the Local APIC configuration space is internal to the host. However, a MTRR must be programmed to make the Local APIC range uncacheable (UC). The Local APIC base address in each host should be relocated to the FEC0_0000h (4 GB-20 MB) to FECF_FFFFh range so that one MTRR can be programmed to 64 KB for the Local and I/O APICs.

A fixed address decode region has been allocated for I/O APIC. The FEC0_0000 to FEC7_FFFFh address range is forwarded to hub interface A. The FEC8_0000 to FECF_FFFFh address range is forwarded to hub interface B. If hub interface B is not enabled, the cycle is forwarded to hub interface A. The 82840 MCH does not support I/O APIC on AGP. If an access is attempted to an IOAPIC region from an IO agent, the hub interfaces will terminate reads with a master-abort completion status. Writes will simply be ignored.

AGP Memory and Prefetchable Memory

Plug-and-play software configures the AGP memory window to provide enough memory space. Accesses whose addresses fall within this window are decoded and forwarded to AGP for completion. Note that these registers (MBASE1, MLIMIT1, MBASE1,PMLIMIT1) must be programmed with values that place the AGP memory space window between the value in the TOM register and 4 GB. In addition, neither region should overlap with any other fixed or relocatable area of memory.

Hub interface B Memory and Prefetchable Memory

Plug-and-play software configures the hub interface B memory window in order to provide enough memory space for the devices behind this PCI-to-PCI bridge. Accesses whose addresses fall within this window are decoded and forwarded to hub interface B for completion. Note that these registers (MBASE2, MLIMIT2, PMBASE2, PMLIMIT2) must be programmed with values that place the hub interface B memory space window between the value in the TOM register and 4 GB. In addition, neither region should overlap with any other fixed or relocatable area of memory.

Hub interface A Subtractive Decode

All accesses that fall between the value programmed into the TOM register and 4 GB are subtractively decoded and forwarded to hub interface A, if they do not decode to a space that corresponds to another device.

4.1.3. AGP Memory Address Ranges

The MCH can be programmed to direct memory accesses to the AGP bus interface when addresses are within either of two ranges specified via registers in MCH Device 1 configuration space. The first range is controlled via the Memory Base Register (MBASE1) and Memory Limit Register (MLIMIT1) registers. The second range is controlled via the Prefetchable Memory Base (PMBASE1) and Prefetchable Memory Limit (PMLIMIT1) registers.

The MCH positively decodes memory accesses to AGP memory address space as defined by the following equations:

$$\text{Memory_Base_Address} \leq \text{Address} \leq \text{Memory_Limit_Address}$$

$$\text{Prefetchable_Memory_Base_Address} \leq \text{Address} \leq \text{Prefetchable_Memory_Limit_Address}$$

The effective size of the range is programmed by the plug-and-play configuration software and it depends on the size of memory claimed by the AGP device.

Note that the MCH Device 1 memory range registers described above are used to allocate memory address space for any devices sitting on AGP bus that require such a window.

4.1.4. AGP DRAM Graphics Aperture

Memory-mapped, graphics data structures can reside in a *Graphics Aperture* to main DRAM memory. This aperture is an address range defined by the APBASE and APSIZE configuration registers of the MCH device 0. The APBASE register follows the standard base address register template as defined by the *PCI 2.1 specification*. The size of the range claimed by the APBASE is programmed via “back-end” register APSIZE (programmed by the chip-set specific BIOS before plug-and-play session is performed). APSIZE allows BIOS to pre-configure the aperture size to be either 4 MB, 8 MB, 16 MB, 32 MB, 64 MB, 128 MB or 256 MB. By programming APSIZE to specific size, the corresponding lower bits of APBASE are forced to “0” (behave as hardwired). The APSIZE default value forces an aperture size of 256 MB. The aperture address range is naturally aligned.

Accesses within the aperture range are forwarded to the main DRAM subsystem. The MCH translates the originally issued addresses via a translation table maintained in main memory. The aperture range should be programmed as non-cacheable in the processor caches.

Note: Plug-and-play software configuration model does not allow overlap of different address ranges. Therefore, the AGP Graphics Aperture and AGP Memory Address Range are independent address ranges that may be adjacent, but cannot overlap one another.

4.1.5. System Management Mode (SMM) Memory Range

The MCH supports the use of main memory as System Management RAM (SMRAM) enabling the use of System Management Mode. The MCH supports two SMRAM options: Compatible SMRAM (C_SMRAM) and Extended SMRAM (E_SMRAM). System Management RAM (SMRAM) space provides a memory area that is available for the SMI handlers and code and data storage. This memory resource is normally hidden from the system operating system so that the processor has immediate access to this memory space upon entry to SMM. The MCH provides three SMRAM options:

- Below 1 MB option that supports compatible SMI handlers.
- Above 1 MB option that allows new SMI handlers to execute with write-back cacheable SMRAM.
- Optional larger write-back cacheable T_SEG area from 128 KB to 1 MB in size above 1 MB that is reserved from the highest area in system DRAM memory. The above 1 MB solutions require changes to compatible SMRAM handlers code to properly execute above 1 MB.

Note: Masters from the hub interface and AGP are not allowed to access the SMM space.

4.1.5.1. SMM Space Definition

SMM space is defined by its **addressed** SMM space and its **DRAM** SMM space. The addressed SMM space is defined as the range of bus addresses used by the processor to access SMM space. DRAM SMM space is defined as the range of physical DRAM memory locations containing the SMM code. SMM space can be accessed at one of three transaction address ranges: Compatible, High and TSEG. The Compatible and TSEG SMM space is not remapped and therefore the addressed and DRAM SMM space is the same address range. Since the High SMM space is remapped the addressed and DRAM SMM space is a different address range. Note that the High DRAM space is the same as the Compatible Transaction Address space. Therefore the table below describes three unique address ranges:

- Compatible Transaction Address (Adr C)
- High Transaction Address (Adr H)
- TSEG Transaction Address (Adr T)

These abbreviations are used later in the table describing SMM Space Transaction Handling.

SMM Space Enabled	Transaction Address Space (Adr)	DRAM Space (DRAM)
Compatible (C)	A0000h–BFFFFh	A0000h–BFFFFh
High (H)	0FFEA0000h–0FFEBFFFFh	A0000h–BFFFFh
TSEG (T)	(TOM - TSEG_SZ) to TOM	(TOM-TSEG_SZ) to TOM

Note: High SMM is different than in previous chipsets. In previous chipsets the High segment was the 384 KB region from A0000h–FFFFFh. However, C0000h–FFFFFh is removed in the MCH.

Note: TSEG SMM is different than in previous chipsets. In previous chipsets the TSEG address space was offset by 256 MB to allow for simpler decoding and the TSEG was remapped to just under the TOM. In the MCH the TSEG region is not offset by 256 MB and it is not remapped.

4.1.5.2. SMM Space Restrictions

If any of the following conditions are violated, the results of SMM accesses are unpredictable and may cause the system to hang up:

- The Compatible SMM space **must not** be setup as cacheable.
- High or TSEG SMM transaction address space **must not** overlap address space assigned to system DRAM, the AGP aperture range, or to any “PCI” devices (including hub interface and AGP devices). This is a BIOS responsibility.
- Both D_OPEN and D_CLOSE **must not** be set to 1 at the same time.
- When TSEG SMM space is enabled, the TSEG space **must not** be reported to the operating system as available DRAM. This is a BIOS responsibility.
- Any address translated through the AGP Aperture GTLB **must not** target DRAM from 000A0000h–000FFFFFh.

4.1.6. Memory Shadowing

Any block of memory that can be designated as read-only or write-only can be “shadowed” into MCH DRAM memory. Typically, this is done to allow ROM code to execute more rapidly out of main DRAM. ROM is used as a read-only during the copy process while DRAM at the same time is designated write-only. After copying, the DRAM is designated read-only so that ROM is shadowed. Host bus transactions are routed accordingly.

4.1.7. I/O Address Space

The 82840 MCH does not support the existence of any other I/O devices besides itself on the processor bus. The MCH generates either hub interface A/PCI, hub interface B, or AGP bus cycles for all processor I/O accesses. The MCH contains two internal registers in the processor I/O space— Configuration Address Register (CONF_ADDR) and Configuration Data Register (CONF_DATA). These locations are used to implement configuration space access mechanism as described in the *Configuration Register* Chapter.

The processor allows 64K+3 bytes to be addressed within the I/O space. The MCH propagates the processor I/O address without any translation on to the destination bus and therefore, provides addressability for 64K+3 byte locations. Note that the upper 3 locations can be accessed only during I/O address wrap-around when processor bus A16# address signal is asserted. A16# is asserted on the processor bus when an I/O access is made to 4 bytes from address 0FFFDh, 0FFFEh, or 0FFFFh. A16# is also asserted when an I/O access is made to 2 bytes from address 0FFFFh.

The I/O accesses (other than ones used for configuration space access) are forwarded normally to either the hub interface A/PCI bus or to hub interface B unless they fall within the AGP I/O address range as defined by the mechanisms explained below. The MCH will not post I/O write cycles to IDE.

The MCH never responds to I/O cycles initiated on AGP or either Hub interface.

4.1.7.1. AGP I/O Address Mapping

The MCH can be programmed to direct non-memory (I/O) accesses to the AGP bus interface or to the hub interface B when processor-initiated I/O cycle addresses are within the AGP I/O address range or the hub interface B I/O address range. The AGP I/O range and the hub interface B I/O range are controlled via the I/O Base Address (IOBASE) and I/O Limit Address (IOLIMIT) registers in MCH Device 1 and Device 2 configuration space, respectively.

The MCH positively decodes I/O accesses to AGP and hub interface B I/O address spaces as defined by the following equations:

AGP I/O

$$\text{Device 1 I/O_Base_Address} \leq \text{CPU I/O Cycle Address} \leq \text{Device 1 I/O_Limit_Address}$$

Hub interface B I/O

$$\text{Device 2 I/O_Base_Address} \leq \text{CPU I/O Cycle Address} \leq \text{Device 2 I/O_Limit_Address}$$

The effective sizes of the ranges are programmed by the plug-and-play configuration software and depend on the size of I/O space claimed by the AGP and hub interface B devices.

4.1.8. MCH Decode Rules and Cross-Bridge Address Mapping

The address map described above applies globally to accesses arriving on any of the four interfaces (i.e., Host bus, the hub interface A, hub interface B or AGP).

4.1.8.1. The Hub interface A Decode Rules

The MCH accepts accesses from the hub interface A to the following address ranges:

- All memory read and write accesses to Main DRAM (except SMM space).
- All memory write accesses from the hub interface A to AGP memory range defined by MBASE1, MLIMIT1, PMBASE1, and PMLIMIT1.
- All memory read/write accesses to the Graphics Aperture defined by APBASE and APSIZE.
- Memory writes to VGA range on AGP, if enabled.

All memory reads from the hub interface A that are targeted > 4 GB memory range will be terminated with Master Abort completion, and all memory writes (>4 GB) from the hub interface A will be ignored.

4.1.8.2. The Hub interface B Decode Rules

The MCH accepts accesses from hub interface B to the following address ranges:

- All memory read and write accesses to Main DRAM (except SMM space).
- All memory write accesses from the hub interface to AGP memory range defined by MBASE1, MLIMIT1, PMBASE1, and PMLIMIT1.
- All memory read/write accesses to the Graphics Aperture defined by APBASE and APSIZE.
- Memory writes to VGA range on AGP, if enabled.

Memory accesses from the hub interface B that fall elsewhere within the memory range and I/O cycles will not be accepted. They are terminated with Master Abort completion.

4.1.8.3. AGP Interface Decode Rules

Cycles Initiated Using AGP FRAME# Protocol

The MCH does not support any AGP FRAME# access targeting hub interface A. The MCH claims AGP-initiated memory read/write transactions decoded to the main DRAM range or the Graphics Aperture range. All other memory read/write requests will be master-aborted by the AGP initiator as a consequence of the MCH not responding to a transaction.

Under certain conditions, the MCH restricts access to the DOS Compatibility ranges governed by the PAM registers by distinguishing access type and destination bus. The MCH does **NOT** accept AGP FRAME# write transactions to the compatibility ranges if the PAM designates DRAM as writable. If accesses to a range are not write enabled by the PAM, the MCH does not respond and the cycle results in a master-abort. The MCH accepts AGP FRAME# read transactions to the compatibility ranges if the PAM designates DRAM as readable. If accesses to a range are not read enabled by the PAM, the MCH does not respond and the cycle results in a master-abort.

If an agent on AGP issues an I/O, PCI Configuration, or PCI Special Cycle transaction, the MCH will not respond and cycle results in a master-abort.

Cycles Initiated Using AGP PIPE# or SB Protocol

All cycles must reference main memory, main DRAM address range (including PAM), or Graphics Aperture range (also physically mapped within DRAM but using different address range). AGP accesses to SMM space are not allowed. AGP-initiated cycles that target DRAM are not snooped on the host bus, even if they fall outside of the AGP aperture range.

If a cycle is outside of main memory range, the cycle terminates as follows:

- Reads: Remap to memory address 0h, return data from address 0h, and set the IAAF error bit in ERRSTS register in device 0
- Writes: Terminated internally without affecting any buffers or main memory

AGP Accesses to MCH that Cross Device Boundaries

For AGP FRAME# accesses, when an AGP master gets disconnected, it will resume at the new address; this allows the cycle to be routed to or claimed by the new target. Therefore, accesses should be disconnected by the target on potential device boundaries. The MCH disconnects AGP FRAME# transactions on 4 KB boundaries.

AGP PIPE# and SBA accesses are limited to 256 bytes and must hit DRAM. Read accesses crossing a device boundary returns invalid data when the access crosses out of DRAM. Write accesses crossing out of DRAM are discarded. The IAAF Error bit is set.

4.1.8.4. Legacy VGA Ranges

The legacy VGA memory range A0000h–BFFFFh is mapped either to hub interface A, hub interface B, or AGP. This behavior is configured by the programming of the VGA Enable bits in the BCTRL configuration registers in MCH Device 1 and Device 2 configuration spaces, as well as the MDAP bit in the MCHCONF configuration register in Device 0 configuration space. The same registers control mapping of VGA I/O address ranges. VGA I/O range is defined as addresses where A[9:0] are in the ranges 3B0h–3BBh and 3C0h–3DFh (inclusive of ISA address aliases: A[15:10] are not decoded). The function and interaction of these three bits is described below:

VGA Enable: Controls the routing of processor-initiated transactions targeting VGA compatible I/O and memory address ranges. When one of these bits is set, the MCH forwards the following processor accesses (VGA references) to either AGP or hub interface B:

- memory accesses in the range 0A0000h to 0BFFFFh
- I/O addresses where A[9:0] are in the ranges 3B0h–3BBh and 3C0h–3DFh (inclusive of ISA address aliases - A[15:10] are not decoded)

MDA references are defined as the following:

- Memory: 0B0000h–0B7FFFh
- I/O: 3B4h, 3B5h, 3B8h, 3B9h, 3BAh, 3BFh, (including ISA address aliases, A[15:10] are not used in decode)

MDA-only references are defined as the following:

- I/O 3BFh and its aliases.

The following table shows the behavior for all combinations of MDA and VGA:

VGAEN1 (Device 1)	VGAEN2 (Device 2)	MDAP	Behavior
0	0	0	All references to MDA and VGA go to hub interface A
0	0	1	Illegal combination: Do Not Use
0	1	0	All references to VGA go to hub interface B. Addresses 3B4h, 3B5h, 3B8h, 3B9h, 3BAh and their aliases are both MDA and VGA references, and they go to hub interface B. MDA-only references go to hub interface A.
0	1	1	VGA references go to hub interface B. MDA-only references go to hub interface A
1	0	0	All references to VGA go to AGP. Addresses 3B4h, 3B5h, 3B8h, 3B9h, 3BAh and their aliases are both MDA and VGA references, and they go to AGP. MDA-only references go to hub interface B
1	0	1	VGA references go to AGP. MDA-only references go to hub interface A
1	1	0	Illegal combination: Do Not Use
1	1	1	Illegal combination: Do Not Use

5. Functional Description

5.1. Host Interface

The 82840 MCH is optimized to support the Pentium® II processor or Pentium® III processor with the bus clock frequencies of 133 MHz or 100 MHz. The MCH supports up to two processors at FSB frequencies of 100/133 MHz using AGTL+ signaling. Note that one of the two processors' agent ID needs to be assigned as "ID# 0" in the system. It supports either 32- or 36-bit host addresses, allowing the processor to access the entire 4 GB of the MCH's memory address space. The MCH has an 8-deep In-Order Queue to support up to eight outstanding pipelined address requests on the host bus. Host-initiated I/O cycles are positively decoded to AGP/PCI, hub interface B, or MCH configuration space and subtractively decoded to hub interface A. Host initiated memory cycles are positively decoded to AGP/PCI, hub interface B, or DRAM and are again subtractively decoded to hub interface A. AGP semantic memory accesses initiated from AGP to DRAM are not snooped on the host bus. Memory accesses initiated from AGP using PCI semantics and from either hub interfaces to DRAM will be snooped on the host bus. Memory accesses whose addresses lie within the AGP aperture are translated using the AGP address translation table, regardless of the originating interface.

The MCH recognizes and supports a large subset of the transaction types that are defined for the Pentium® II processor bus interface. However, each of these transaction types has a multitude of response types, some of which are not supported by the MCH. All transactions are processed in the order that they are received on the host bus. A summary of transactions supported by the MCH is given in the following table.

Table 8. P6 Bus Transactions Supported by the MCH

Transaction	REQa[4:0]#	REQb[4:0]#	MCH Support
Deferred Reply	0 0 0 0 0	X X X X X	The MCH initiates a deferred reply for a previously deferred transaction.
Reserved	0 0 0 0 1	X X X X X	Reserved
Interrupt Acknowledge	0 1 0 0 0	0 0 0 0 0	Interrupt acknowledge cycles are forwarded to the hub interface A or hub interface B A single byte of data is returned on HD[7:0]#.
Special Transactions	0 1 0 0 0	0 0 0 0 1	See separate table in Special Cycles section.
Reserved	0 1 0 0 0	0 0 0 1 x	Reserved
Reserved	0 1 0 0 0	0 0 1 x x	Reserved
Branch Trace Message	0 1 0 0 1	0 0 0 0 0	The MCH terminates a branch trace message without latching data.
Reserved	0 1 0 0 1	0 0 0 0 1	Reserved
Reserved	0 1 0 0 1	0 0 0 1 x	Reserved
Reserved	0 1 0 0 1	0 0 1 x x	Reserved

Transaction	REQa[4:0]#	REQb[4:0]#	MCH Support
I/O Read	1 0 0 0 0	0 0 x LEN#	I/O read cycles are forwarded to the hub interface A, hub interface B, or AGP. I/O cycles to the MCH configuration space will not be forwarded to AGP or the hub interfaces.
I/O Write	1 0 0 0 1	0 0 x LEN#	I/O write cycles are forwarded to the hub interface A, hub interface B or AGP. I/O cycles to the MCH configuration space are not forwarded to AGP or the hub interface.
Reserved	1 1 0 0 x	0 0 x x x	Reserved
Memory Read and Invalidate	0 0 0 1 0	0 0 x LEN#	Host-initiated memory read and invalidate cycles are forwarded to DRAM. The MCH initiates an MRI (LEN=0) cycle to snoop a hub interface A, hub interface B or AGP initiated write cycle to DRAM.
Reserved	0 0 0 1 1	0 0 x LEN#	Reserved
Memory Code Read	0 0 1 0 0	0 0 x LEN#	Memory code read cycles are forwarded to DRAM, hub interface A, hub interface B or AGP.
Memory Data Read	0 0 1 1 0	0 0 x LEN#	Host-Initiated memory read cycles are forwarded to DRAM, the hub interface A, hub interface B or AGP. The MCH initiates a memory read cycle to snoop a hub interface A, hub interface B or AGP initiated read cycle to DRAM.
Memory Write (no retry)	0 0 1 0 1	0 0 x LEN#	This memory write is a writeback cycle and cannot be retried. The MCH forwards the write to DRAM.
Memory Write (can be retried)	0 0 1 1 1	0 0 x LEN#	The standard memory write cycle is forwarded to DRAM, hub interface A, hub interface B , or AGP.

NOTES:

1. For Memory cycles, REQa[4:3]# = ASZ#.
2. REQb[4:3]# = DSZ#. For the Pentium® Pro processor, DSZ# = 00 (64 bit data bus size).
3. LEN# = data transfer length as follows:

LEN#	Data length
00	<= 8 bytes (BE[7:0]# specify granularity)
01	Length = 16 bytes BE[7:0]# all active
10	Length = 32 bytes BE[7:0]# all active
11	Reserved

Table 9. Types of Responses Supported by the MCH

RS2#	RS1#	RS0#	Description	MCH Support
0	0	0	Idle	
0	0	1	Retry Response	This response is generated if an access is to a resource that cannot be accessed by the processor at this time and the logic must avoid deadlock. ICH directed reads and writes, DRAM locked reads, AGP reads and writes can be retried.
0	1	0	Deferred Response	This response can be returned for all transactions that can be executed 'out of order.' Host Memory Reads I/O Reads, Interrupt Acknowledge and I/O Writes cycles to the hub interface A, hub interface B and AGP can be deferred.
0	1	1	Reserved	Reserved
1	0	0	Hard Failure	Not supported.
1	0	1	No Data Response	This is for transactions where the data has already been transferred or for transactions where no data is transferred. Writes and zero length reads receive this response.
1	1	0	Implicit Writeback	This response is given for those transactions where the initial transactions snoop hits on a modified cache line.
1	1	1	Normal Data Response	This response is for transactions where data accompanies the response phase. Reads receive this response.

Host Addresses Above 4 GB

Host memory writes to address space above 4 GB are discarded without affecting the system state. Host memory reads to address space above 4 GB are immediately terminated and return with a fixed value.

Host Bus Cycles

The following transaction descriptions illustrate the various operations in their most straightforward representation.

Partial Reads

Partial Read transactions include I/O reads and memory read operations of less than or equal to eight bytes (four consecutive bytes for I/O) within an aligned 8 byte span. The byte enable signals, BE[7:0]#, select which bytes in the span to read.

Part-Line Read and Write Transactions

The MCH does not support partial-line (i.e., 16-byte) transactions.

Cache Line Reads

A read of a full cache line (as indicated by the LEN[1:0]=10 during request phase) requires 32 bytes of data to be transferred. This translates into four data transfer cycles for a given request. Since the MCH is the only response agent in the system, it is always selected as the target and will determine whether the address is directed to DRAM, the hub interface A, the hub interface B, or AGP and provide the corresponding command and control to complete the transaction.

Partial Writes

Partial Write transactions include: I/O and memory write operations of eight bytes or less (maximum of four bytes for I/O) within an aligned 8 byte span. The byte enable signals, BE[7:0]#, select which bytes in the span to write. I/O writes crossing a 4 byte boundary are broken into two separate transactions by the processor.

Cache Line Writes

A write of a full cache line requires 32 bytes of data to be transferred; this translates into four data transfer cycles for a given request.

Memory-Read-and-Invalidate (length > 0)

A Memory-Read-and-Invalidate (MRI) transaction is functionally equivalent to a cache line read. The purpose of having this special transaction is to support write allocation (write miss case) of cache lines in the processors. When a processor issues an MRI, the cache line is read as in a normal cache line read operation; however, all other caching agents must invalidate this line if they have it in a shared or exclusive state. If a caching agent has this line in the Modified State, it must be written back to memory and invalidated and it is . The MCH captures the write-back data. It is illegal for a bus agent to assert HIT# on this transaction.

Memory-Read-and-Invalidate (length = 0)

A Memory Read and Invalidate transaction of length zero (MRI0) does not have an associated Data Response. Executing the transaction informs other agents in the system that the agent issuing this request requires exclusive ownership of a cache line that maybe in the Shared State (write hit to a shared line). Agents with this cache line invalidate the line. If this line is in the modified state, an implicit write-back cycle is generated and the MCH captures the data.

Memory Read (length = 0)

A Memory Read of length zero, MR(0) does not have an associated Data Response. This transaction is used by the MCH to snoop for the hub interface to DRAM and AGP FRAME# snoopable DRAM read accesses. The MCH snoop request policy is identical for the hub interface and AGP FRAME# memory read transactions. Note that the MCH will do multiple snoop ahead cycles for a hub interface burst reads greater than 32 bytes and for AGP FRAME# master burst read (i.e., memory read multiple) to DRAM. The MCH performs single MR(0) cycles for the hub interface reads less than or equal to 32 bytes and for AGP FRAME# master standard read or read line directed to DRAM.

The MCH generates length=0 Memory Read cycles for the hub interface and AGP FRAME# memory read cycles to DRAM.

Cache Coherency Cycles

The MCH generates an implicit writeback response during host bus read and write transactions when a processor asserts HITM# during the snoop phase. The host-initiated write case can have two data transfers, the requesting agents data followed by the snooping agents writeback data.

The MCH performs a memory read and invalidate cycle of length 0 (MRI[0]) on the host bus when a hub interface or AGP FRAME# snoopable DRAM read or write cycle occurs.

Interrupt Acknowledge Cycles

A processor agent issues an Interrupt Acknowledge cycle in response to an interrupt from an 8259-compatible interrupt controller. The Interrupt Acknowledge cycle is similar to a partial read transaction, except that the address bus does not contain a valid address.

Interrupt Acknowledge cycles are always directed to the hub interface A (never to AGP).

Locked Cycles

The MCH supports resource locking due to the assertion of the LOCK# line on the host bus as follows:

- **Host<->DRAM Locked Cycles.** The MCH supports host to DRAM locked cycles. The P6 bus protocol ensures that the host bus will execute any other transactions until the locked cycle is complete. The MCH arbiter may grant another hub interface A, hub interface B, or AGP device; however, any cycles to DRAM requiring cache coherency will be blocked.
- **Host<-> ICH Locked Cycles.** Any host to the ICH locked transaction will initiate a locked sequence to the hub interface A. The P6 bus implements a bus lock mechanism that ensures that no change of bus ownership can occur from the time one agent has established a locked transaction (i.e., the initial read cycle of a locked transaction has completed) until the locked transaction is completed. Note that for host transactions to hub interface A, a “LOCK” special cycle is issued to establish the lock prior to the initial read and a “UNLOCK” special cycle is issued to the hub interface A after the host lock transaction is completed.

Any concurrent cycle that requires snooping on the host bus is not processed while a LOCK transaction is occurring on the host bus.

Locked cycles from hub interface A to DRAM are not supported.

- **Host<->AGP Locked Cycles.** Any Host-AGP lock cycle result in a un-predictable system behavior.
- **Host<->P64H Locked Cycles.** The MCH does not support a Master Abort on the second read of a split lock from the host.

Branch Trace Cycles

An agent issues a Branch Trace Cycle for taken branches if execution tracing is enabled. Address Aa[35:3]# is reserved and can be driven to any value. D[63:32]# carries the linear address of the instruction causing the branch and D[31:0]# carries the target linear address. The MCH responds and retires this transaction but does not latch the value on the data lines or provide any additional support for this type of cycle.

Special Cycles

A Special Cycle is defined when REQa[4:0] = 01000 and REQb[4:0]= xx001. In the first address phase Aa[35:3]# is undefined and can be driven to any value. In the second address phase, Ab[15:8]# defines the type of Special Cycle issued by the processor. All Host initiated Special Cycles are routed to the hub interface A.

A special Cycle is “posted” into the MCH and the FSB transaction is terminated immediately after the cycle has been broadcast. It does not wait for the cycle to propagate or terminate on the hub interface interface.

Table 10 specifies the cycle type and definition as well as the action taken by the MCH when a special cycle is identified. Note that none of the host bus special cycles are propagated to either the AGP interface or the hub interface B.

Table 10. Types of Special Cycles Supported by the MCH

BE[7:0]#	Special Cycle Type	Action Taken
0000 0000	NOP	This transaction has no side-effects.
0000 0001	Shutdown	This transaction is issued when an agent detects a severe software error that prevents further processing. This cycle is claimed by the MCH and propagated as a Shutdown special cycle over the hub interface A. This cycle is retired on the host bus after the associated special cycle request is successfully broadcast over the hub interface.
0000 0010	Flush	This transaction is issued when an agent has invalidated its internal caches without writing back any modified lines. The MCH claims this cycle and simply retires it.
0000 0011	Halt	This transaction is issued when an agent executes a HLT instruction and stops program execution. This cycle is claimed by the MCH and propagated over the hub interface A as a Halt special cycle. This cycle is retired on the host bus after the associated special cycle request is successfully broadcast over the hub interface.
0000 0100	Sync	This transaction is issued when an agent has written back all modified lines and has invalidated its internal caches. The MCH claims this cycle and simply retires it.
0000 0101	Flush Acknowledge	This transaction is issued when an agent has completed a cache sync and flush operation in response to an earlier FLUSH# signal assertion. The MCH claims this cycle and retires it.
0000 0110	Stop Grant Acknowledge	This transaction is issued when an agent enters Stop Grant mode. This cycle is claimed by the MCH and propagated over the hub interface A as a Stop Grant special cycle. This cycle is retired on the host bus after the associated special cycle request is successfully broadcast over the hub interface.
0000 0111	SMM Acknowledge	This transaction is first issued when an agent enters the System Management Mode (SMM). Ab[7]# is also set at this entry point. All subsequent transactions from the host with Ab[7]# set are treated by the MCH as accesses to the SMM space. No corresponding cycle is propagated to the hub interface. To exit the System Management Mode the host issues another one of these cycles with the Ab[7]# bit deasserted. The SMM space access is closed by the MCH at this point.
all others	Reserved	

5.1.1. Frame Buffer Memory Support

To allow for high speed write capability for graphics, the Pentium II processor introduced WC (Write-combined memory type). USWC is uncacheable, speculative, write-combining. The USWC memory type provides a write-combining buffering mechanism for write operations. A high percentage of graphics transactions are writes to the memory-mapped graphics region, normally known as the linear frame buffer. Reads and writes to USWC are non-cached and are not allowed to have side effects.

In the case of graphics, current 32-bit drivers (without modifications) would use a Partial Write protocol to update the frame buffer. The highest performance write transaction on the host bus is the Line Write. By combining several back-to-back Partial write transactions (internal to the processor) into a Line write transaction on the processor bus, the performance of frame buffer accesses would be greatly improved. Writes to USWC memory can be buffered and combined in the processor's write-combining buffers (WCB). The WCB is flushed after executing a serializing, locked, I/O instruction, or the WCB is full (32 bytes). To extend this capability to the current drivers, it is necessary to set up the linear frame buffer address range to be USWC memory type. This can be done by programming the MTRR registers in the processor.

Note that the application of USWC memory attribute is not limited only to the frame buffer support and that the MCH implements write combining for any host to the hub interface or host to AGP posted write.

5.2. AGP Interface

The MCH support 3.3V AGP 1x/2x, and 1.5V AGP 1x/2x/4x devices. To support these modes of operation, the AGP signal buffers are designed with two modes of operation:

- 3.3V drive/receive (not 5 volt tolerant)
- 1.5V drive/receive (not 3.3 volt tolerant).

The MCH supports 2x/4x clocking transfers for read and write data, and for sideband addressing. It will also support 2x and 4x clocking for Fast Writes initiated from the MCH (on behalf of the processor).

AGP PIPE# or SBA[7:0] transactions to DRAM are not snooped and are, therefore, not coherent with the processor caches. AGP FRAME# transactions to DRAM are snooped. AGP PIPE# and SBA[7:0] accesses to and from the hub interface A or hub interface B are not supported. AGP FRAME# access from an AGP master to the hub interface are also not supported. Only the AGP FRAME memory writes from the hub interface are supported.

5.2.1. AGP Target Operations

As an initiator, the MCH does not initiate cycles using AGP enhanced protocols. The MCH supports AGP cycles targeting interface to main memory only. The MCH supports interleaved AGP PIPE# and AGP FRAME#, or AGP SBA[7:0] and AGP FRAME# transactions.

Table 11. AGP Commands Supported by the MCH When Acting as an AGP Target

AGP Command	C/BE[3:0]# Encoding	MCH Host Bridge	
		Cycle Destination	Response as PCIx Target
Read	0000	Main Memory	Low Priority Read
	0000	The Hub interface	Complete with random data
Hi-Priority Read	0001	Main Memory	High Priority Read
	0000	The Hub interface	Complete with random data
Reserved	0010	N/A	No Response
Reserved	0011	N/A	No Response
Write	0100	Main Memory	Low Priority Write
	0100	The Hub interface	Cycle goes to DRAM with BEs inactive
Hi-Priority Write	0101	Main Memory	High Priority Write
	0101	The Hub interface	Cycle goes to DRAM with BEs inactive - does not go to the hub interface
Reserved	0110	N/A	No Response
Reserved	0111	N/A	No Response
Long Read	1000	Main Memory	Low Priority Read
		The Hub interface	Complete locally with random data - does not go to the hub interface
Hi-Priority Long Read	1001	Main Memory	High Priority Read
		The Hub interface	Complete with random data
Flush	1010	MCH	Complete with QW of Random Data
Reserved	1011	N/A	No Response
Fence	1100	MCH	No Response - Flag inserted in MCH request queue
Reserved	1101	N/A	No Response
Reserved	1110	N/A	No Response
Reserved	1111	N/A	No Response

NOTES: N/A refers to a function that is not applicable

As a target of an AGP cycle, the MCH supports all the transactions that directly forward main memory and these are summarized in the table above. The MCH supports both normal and high priority read and write requests. The MCH does not support AGP cycles to either hub interfaces. PIPE# and SBA cycles do not require coherency management and all AGP initiator accesses to main memory using AGP PIPE# or SBA protocol are treated as non-snoopable cycles. These accesses are directed either to the AGP aperture in main memory or to the un-translated main memory outside of the graphics aperture. The memory space covered by the aperture should be programmed as either uncacheable (UC) memory or write combining (WC) in the Intel® Pentium® Pro processor's MTRRs.

5.2.2. AGP Transaction Ordering

The MCH observes transaction ordering rules as defined by the *AGP Interface Specification, Revision 2.0*.

5.2.3. AGP Electricals

The 4x data transfers use 1.5V signaling levels as described in the *AGP 2.0 Specification*. The MCH supports 1x/2x data transfers using either the 3.3V or 1.5V signaling levels. The mechanism to select the data transfer mode is orthogonal to the mechanism to select the signaling level. The following table shows the data rates and signaling levels supported by the MCH.

Data Rate	Signaling Level	
	1.5V	3.3V
1x AGP*	yes	Yes
2x AGP	Yes	Yes
4x AGP	Yes	No

* Note that AGP FRAME# data rate and signaling level is the same as 1x AGP.

5.2.4. The Differences Between AGP FRAME# and PCI-66 Devices

- MCH supports only one AGP FRAME# device.
- The AGP FRAME# device must meet the AGP 2.0 electrical specification.
- LOCK# signal is not present for AGP FRAME#. Neither inbound or outbound locks are supported.
- SERR# signal is present for AGP FRAME#.
- PERR# signal is not present for AGP FRAME#.
- 16 clock Subsequent Data Latency timer (instead of 8) for AGP FRAME# devices.

Note PCI-66 devices are not supported on the AGP interface unless they comply with the AGP 2.0 Specification.

5.2.5. 4x AGP Protocol

In addition to the 1x and 2x AGP protocol, the MCH supports 4x AGP read and write data transfers, and 4x sideband address generation. The 4x operation is compliant with AGP 2.0 specification.

The MCH indicates that it supports 4x data transfers through RATE[2] (bit 2) of the AGP Status Register. When DATA_RATE[2] (bit 2) of the AGP Command Register is 1 during system initialization, the MCH performs AGP read and write data transactions using 4x protocol. This bit is not dynamic. Once this bit is set during initialization, the data transfer rate may not change.

The 4x data rate transfer provides 1.06 GB/s transfer rates. The control signal protocol for the 4x data transfer protocol is identical to 1x/2x protocol. In 4x mode 16 bytes of data are transferred on every 66 MHz clock edge. The minimum throttleable block size remains four 66 MHz clocks which means 64 bytes of data is transferred per block. Three additional signal pins are required to implement the 4x data transfer protocol. These signal pins are complimentary data transfer strobes for the AD bus (2) and the SBA bus (1).

5.2.6. Fast Writes

The MCH supports 2x and 4x Fast Writes from the MCH to the graphics controller on AGP. Fast Write operation is compliant with Fast Writes as currently described in AGP 2.0.

The MCH indicates that it supports Fast Writes through bit 4 (FW) of the AGP Status Register. When FW_ENABLE (bit 4) of the AGP Command Register is 1, the MCH uses Fast Write protocol to transfer memory write data to the AGP master. Memory writes originating from the host(s) or from the hub interface use the Fast Write protocol, when it is enabled. The data rate used to perform the Fast Writes is dependent on which bit is set in DATA_RATE[2:0] (bits 2:0) of the AGP Command Register. If DATA_RATE[2]=1, the data transfers occur using 4x strobing. If DATA_RATE[1]=1, the data transfers occur using 2x strobing. If DATA_RATE[0]=1, Fast Writes are disabled and occur using standard PCI protocol. Note that only one of the three DATA_RATE bits may be set by initialization software. This is summarized in the following table.

Table 12. Fast Write Register Programming

FW_ENABLE	DATA_RATE[2]	DATA_RATE[1]	DATA_RATE[0]	MCH =>AGP Master Write Protocol
0	x	x	x	1x
1	0	0	1	1x
1	0	1	0	2x Strobing
1	1	0	0	4x Strobing

5.2.7. AGP Universal Connector

The MCH supports the AGP Universal Connector that allows either a 1.5V or a 3.3V AGP add-in card to be supported by the system.

5.2.8. AGP FRAME# Transactions on AGP

The MCH accepts and generates AGP FRAME# transactions on the AGP bus. The MCH guarantees that AGP FRAME# accesses to DRAM are kept coherent with the processor caches by generating snoops to the host bus. LOCK#, SERR#, and PERR# signals are not supported.

5.2.8.1. MCH Initiator and Target Operations

Table 13 summarizes MCH target operation for AGP FRAME# initiators. These cycles target only to main memory.

Table 13. PCI Commands Supported by the MCH When Acting as A FRAME# Target

PCI Command	C/BE[3:0]# Encoding	MCH	
		Cycle Destination	Response as A FRAME# Target
Interrupt Acknowledge	0000	N/A	No Response
Special Cycle	0001	N/A	No Response
I/O Read	0010	N/A	No Response
I/O Write	0011	N/A	No Response
Reserved	0100	N/A	No Response
Reserved	0101	N/A	No Response
Memory Read	0110	Main Memory	Read
	0110	The Hub interface	No Response
Memory Write	0111	Main Memory	Posts Data
	0111	The Hub interface	No Response
Reserved	1000	N/A	No Response
Reserved	1001	N/A	No Response
Configuration Read	1010	N/A	No Response
Configuration Write	1011	N/A	No Response
Memory Read Multiple	1100	Main Memory	Read
	1100	The Hub interface A/B	No Response
Dual Address Cycle	1101	N/A	No Response
Memory Read Line	1110	Main Memory	Read
	1110	The Hub interface A/B	No Response
Memory Write and Invalidate	1111	Main Memory	Posts Data
	1111	The Hub interface A/B	Posts Data

NOTES: N/A refers to a function that is not applicable

MCH as Target of AGP FRAME# Cycle (Supported Transactions)

- **Memory Read, Memory Read Line, and Memory Read Multiple.** These commands are supported identically by the MCH. The MCH does not support reads of the hub interface bus from AGP.
- **Memory Write and Memory Write and Invalidate.** These commands are aliased and processed identically.
- **Other Commands.** Other commands such as I/O R/W and Configuration R/W are not supported by MCH as a target and result in master abort.
- **Exclusive Access.** The MCH does not support PCI locked cycles as a target.
- **Fast Back-to-Back Transactions.** The MCH, as a target, supports fast back-to-back cycles from an AGP FRAME# initiator.

MCH as Initiator of AGP FRAME# Cycle (Supported Transactions)

- **Memory Read and Memory Read Line.** The MCH supports reads from host to AGP. The MCH does not support reads from either hub interfaces to AGP.
- **Memory Read Multiple.** This command is not supported by the MCH as an AGP FRAME# initiator.
- **Memory Write.** The MCH initiates AGP FRAME# cycles on behalf of the host or the hub interface. The MCH does not issue Memory Write and Invalidate as an initiator. MCH does not support write merging or write collapsing. The MCH allows non-snoopable write transactions from the hub interface to the AGP bus.
- **I/O Read and Write.** I/O read and write from the host are sent to the AGP bus. I/O base and limit address range for AGP bus are programmed in AGP FRAME# configuration registers. All other accesses that do not correspond to this programmed address range are forwarded to the hub interface A.
- **Exclusive Access.** The MCH will not issue a locked cycle on the AGP bus on behalf of either the host or the hub interface. The hub interface and host locked transactions to AGP are initiated as unlocked transactions by the MCH on the AGP bus.
- **Configuration Read and Write.** Host Configuration cycles to AGP are forwarded as Type 1 Configuration Cycles.
- **Fast Back-to-Back Transactions.** The MCH, as an initiator, does not perform fast back-to-back cycles.

5.2.8.2. MCH Retry/Disconnect Conditions

The MCH generates retry/disconnect according to the AGP Specification rules when being accessed as a target from the AGP FRAME# device.

5.2.8.3. Delayed Transaction

When a AGP FRAME#-to-DRAM read cycle is retried by the MCH, the cycle is processed internally as a Delayed Transaction.

The MCH supports the Delayed Transaction mechanism on the AGP target interface for the transactions issued using AGP FRAME# protocol. This mechanism is compatible with the PCI 2.1 Specification. The process of latching all information required to complete the transaction, terminating with Retry, and completing the request without holding the master in wait-states is called a Delayed Transaction. The MCH latches the Address and Command when establishing a Delayed Transaction. The MCH generates a Delayed Transaction on AGP only for AGP FRAME# to DRAM read accesses. The MCH does not allow more than one Delayed Transaction access from AGP at any time.

5.3. RDRAM Interface

The 82840 MCH directly supports Dual channels(interfaces) of Rambus* Direct memory operating in lock-step using RSL technology. The MCH support two different operation modes:

- **Single Channel-pair Mode.** The MCH is configured to directly support RDRAM devices on its dual Rambus* interfaces. There is no MRH-R used on the memory subsystem. A maximum of 64 RDRAM devices are supported on the paired channels without external logic.
- **Multiple Channel-pair Mode.** The MCH is configured to use MRH-R on the memory subsystem. Each Rambus* channel of the MRH-R on the MCH Direct Rambus* Interface A is paired with one Rambus* channel of the MRH-R on the Direct Rambus* Interface B. The MCH supports one MRH-R per interface and each MRH-R can support up to 2 RDRAM channels. Therefore, up to 4 RDRAM channels are supported by the MCH with a total of 2 MRH-Rs (1 MRH-R per interface).

The interface between the MCH and Direct RDRAM devices is referred to either as a “channel” or as an “expansion channel.” The channel interface consists of 33 signals including clocks (30 are RSL signals and 3 are CMOS signals). When MRH-R is used for channel expansion, there are two additional RSL signals per channel.

Figure 6 shows the interconnections between MCH and its dual Direct RDRAM channels configured in single channel-pair mode.

Figure 6. Single Channel-pair Mode

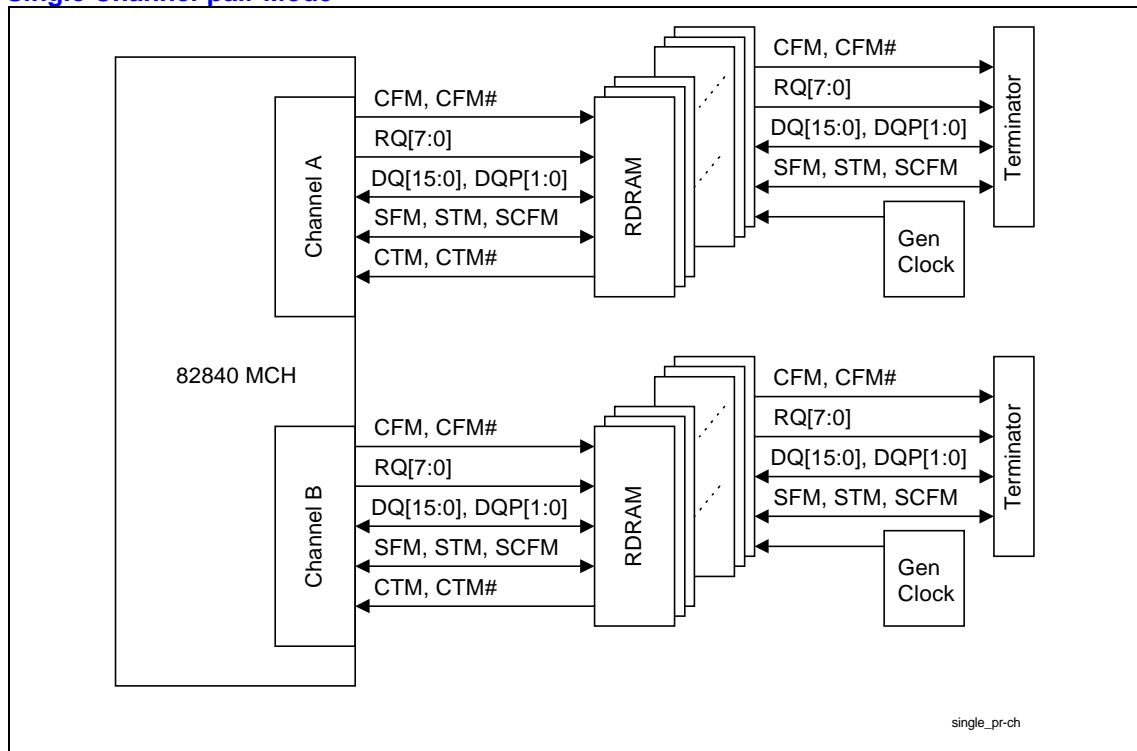
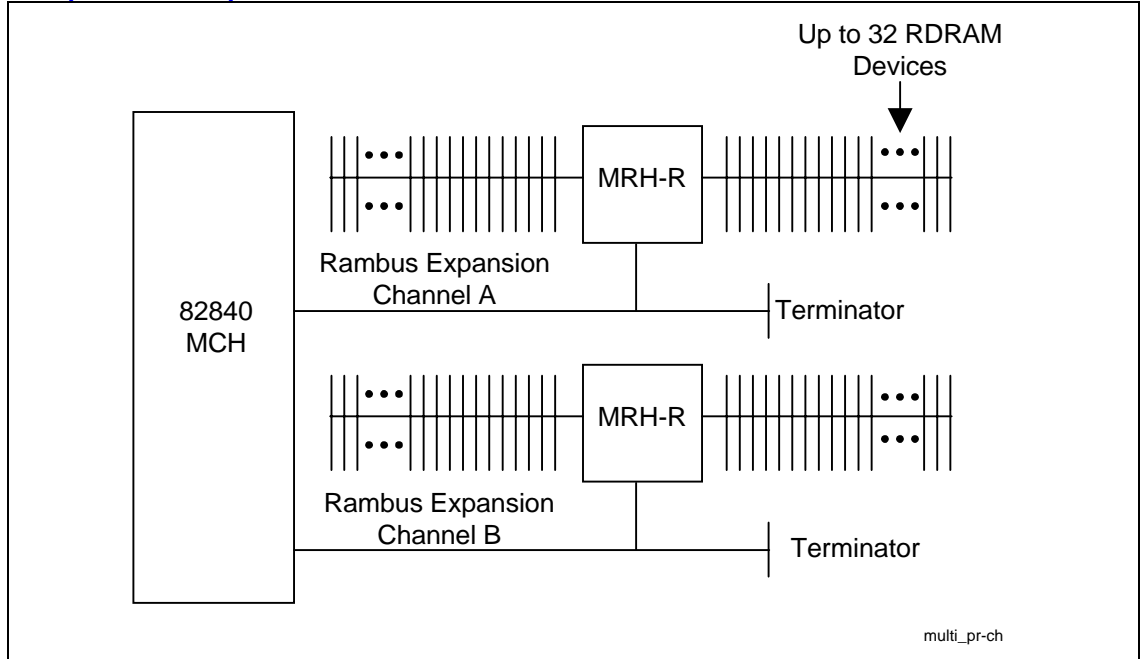


Figure 7 shows the interconnections between MCH and its dual Direct RDRAM channels configured at multiple channel-pair mode.

Figure 7. Multiple Channel-pair Mode



The maximum system memory supported by MCH depends on the Direct RDRAM device technology (Table 14).

Table 14. Maximum Memory Supported For Various Configurations

RDRAM	Directly Supported		Supported via MRH-R(s)	
	Increments	Maximum	Increments	Maximum
64Mb	16 MB	512 MB	16 MB	1 GB
128Mb	32 MB	1 GB	32 MB	2 GB
256Mb	64 MB	2 GB	64 MB	4 GB

The row, column, and bank address bits required for the Direct RDRAM device depends on the number of banks and page size of device. Table 15 shows the different combinations supported by the MCH.

Table 15. Direct RDRAM Device Configurations

CF#	Device Tech	Device Capacity in MB	# of Banks (D= dependent)	Page Size	# of Bank Address Bits	# of Row Address Bits	# of Column Address Bits
1	64Mbit	8	16 (D)	1 KB	4	9	6
2	128Mbit	16	2x16 (D)	1 KB	5	9	6
3	256Mbit	32	2x16 (D)	1 KB	5	10	6
4		32	2x16 (D)	2 KB	4	10	7

A brief overview of the registers that configure the Direct RDRAM interface is provided below:

- Group Boundary Address Register (GBA).** GBA registers define the upper and lower addresses for a group of Direct RDRAM device pairs in a channel-pair. Each group requires a separate GBA register. Each group consists of 4 device-pairs in single channel mode and 8 device-pairs in multiple channel mode. The MCH contains 16 GBA registers.
- Group Architecture Register (GAR).** GAR registers specify the architecture features of each group of device pairs in a channel pair. The architecture features specified are bank type and device core technology. Each GAR represents a group consisting of 4 device-pairs in single channel mode and 8 device-pairs in multiple channel mode. There is a 1:1 correspondence between GBA and GAR registers.
- RDRAM Timing Register (RDTR).** The DTR defines the timing parameters for all devices in all channels. The BIOS programs this register with “least common denominator” values after reading configuration registers of each device in the channels.
- RDRAM Pool Sizing Register (RPMR).** This register provides bits to program the number of RDRAM device-pair in one of three RDRAM power management states.
- RDRAM Initialization Control Register (RICM).** This register provides bits to program MCH to do initialization activities on Direct RDRAM devices.

5.3.1. RDRAM Organization and Configuration

The MCH supports 16/18-bit Direct RDRAM configurations. The MCH supports a maximum of 64 RDRAM devices (32 devices per channel) on its dual Direct RDRAM channels. Direct RDRAM channel can be populated with a mix of 64Mbit, 128Mbit, and 256Mbit Direct RDRAM devices.

5.3.1.1. Rules for Populating RDRAM Devices

MCH Rambus* channels can be implemented such that it is fully or partially loaded with RDRAM devices; however, they must be populated in either single-device pair or multiple-device pair.

- **Single Device-pair.** The 82840 MCH is configured to directly support RDRAM devices on its dual Rambus* channel. Each RDRAM device of the MCH Direct Rambus* Interface A is paired with one RDRAM device of the Direct Rambus* Interface B. There is no MRH-R used on the memory subsystem.
- **Multiple Device-pair.** The 82840 MCH is configured to use MRH-R on the memory subsystem. Each RDRAM device on Direct Rambus* Interface A is paired with one RDRAM device on the Direct Rambus* Interface B.

From the MCH point-of-view, all device-pairs in the channels are grouped into logical groups. System initialization software partitions the RDRAMs into groups of four device-pairs in single channel mode operation and into groups of eight device-pairs in multiple channel mode operation. As a result, there can be a maximum of 8 groups per channel-pair in single channel-pair operation and a maximum of 4 groups per channel pair in multiple channel-pair mode. All device-pairs populated in a group must be of the same architecture. That is, all device-pairs in a group must be the same core technology, and have the same number of banks. Following are the rules for populating the groups:

- A group can be partially populated.
- There is no requirement that group members have to be populated in contiguous physical slots.
- There can be a maximum of 8 groups in single channel-pair mode or 4 groups per channel in multiple channel-pair mode. A member that does not belong to any of the groups in the channel will not be recognized.

The following table provides the device IDs for members in all groups.

Table 16. RDRAM Device Grouping

Single Channel Mode		Multiple Channel Mode	
Device-Pair IDs for Group Members	Group Name	Device Pair IDs for Group Members	Group Name
0, 1, 2, 3	Group#0	0, 1, 2, 3, 4, 5, 6, 7,	Ch#0 Pair, Group#0
4, 5, 6, 7	Group#1	8, 9, 10, 11, 12, 13, 14, 15	Ch#0 Pair, Group#1
8, 9, 10, 11	Group#2	16, 17, 18, 19, 20, 21, 22, 23	Ch#0 Pair, Group#2
12, 13, 14, 15	Group#3	24, 25, 26, 27, 28, 28, 30, 31	Ch#0 Pair, Group#3
16, 17, 18, 19	Group#4	0, 1, 2, 3, 4, 5, 6, 7,	Ch#1 Pair, Group#0
20, 21, 22, 23	Group#5	8, 9, 10, 11, 12, 13, 14, 15	Ch#1 Pair, Group#1
24, 25, 26, 27	Group#6	16, 17, 18, 19, 20, 21, 22, 23	Ch#1 Pair, Group#2
28, 29, 30, 31	Group#7	24, 25, 26, 27, 28, 28, 30, 31	Ch#1 Pair, Group#3
		0, 1, 2, 3, 4, 5, 6, 7,	Ch#2 Pair, Group#0
		8, 9, 10, 11, 12, 13, 14, 15	Ch#2 Pair, Group#1
		16, 17, 18, 19, 20, 21, 22, 23	Ch#2 Pair, Group#2
		24, 25, 26, 27, 28, 28, 30, 31	Ch#2 Pair, Group#3

Single Channel Mode		Multiple Channel Mode	
Device-Pair IDs for Group Members	Group Name	Device Pair IDs for Group Members	Group Name
		0, 1, 2, 3, 4, 5, 6, 7,	Ch#3 Pair, Group#0
		8, 9, 10, 11, 12, 13, 14, 15	Ch#3 Pair, Group#1
		16, 17, 18, 19, 20, 21, 22, 23	Ch#3 Pair, Group#2
		24, 25, 26, 27, 28, 28, 30, 31	Ch#3 Pair, Group#3

NOTES:

1. All RSL signals must be terminated at the far end from the MCH.
2. The default device ID for an RDRAM device after power up is 1Fh.

5.3.1.2. RDRAM CMOS Signal Description and Usage

There are 3 CMOS signal pins per channel on the MCH to support Direct RDRAM device configuration, SIO reset, register accesses, and Nap and PowerDown exits. These signals are SCK, CMD and SIO.

They are used to perform the following operations:

- SIO pin initialization
- SIO operations (includes register accesses and device reset)
- Device selection for Nap and PowerDown exits

Figure 8. RDRAM Devices Sideband CMOS Signal Configuration on Rambus* Channel A

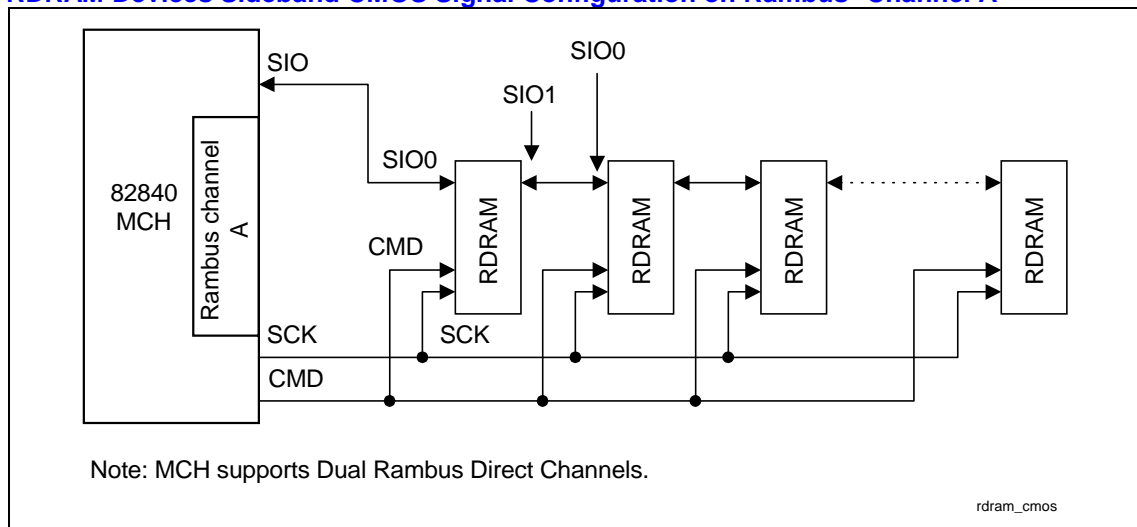
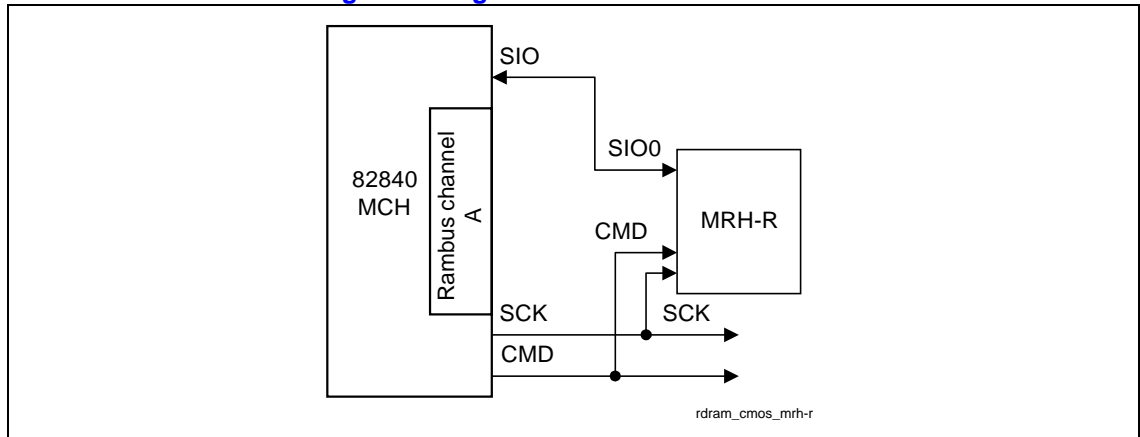


Figure 9. MRH-R Sideband CMOS Signal Configuration on Rambus® Channel A

Table 17. Sideband CMOS Signal Description

Signal	Description
SCK	Serial Clock: This signal serves as the clock for SIO and CMD signals. SCK is a clock source used for reading from and writing to control register. <ul style="list-style-type: none"> For SIO operations and pin initialization, $SCK \leq 1$ MHz For power mode operations, $SCK \leq 100$ MHz
CMD	Command: CMD is a control signal used for power mode transitions, SIO pin configuration during initialization, and framing of SIO operations. CMD is active high. This signal is sampled at both edges of SCK and is a level sensitive signal.
SIO	Serial In Out: This bi-directional signal is daisy chained through all Direct RDRAM (SIO0 to SIO1) devices in a channel. This pin carries data used for SIO operations that include register accesses, device reset, and device ID initialization. SIO is also used for power mode control. SIO is an active low signal and is sampled on the falling edge of SCK.

Table 18. CMD Signal Value Decode

SIO = 0, CMD Sample Value on 4 SCK Edges				Command	SIO = 1, CMD Sample Value on 4 SCK Edges				Command
Cycle 0		Cycle 1			Cycle 0		Cycle 1		
0	1	x	x	Nap Exit	0	1	x	x	Power-down Exit
1	0	x	x	Reserved	1	0	x	x	Reserved
0	0	x	x	No-op	0	0	x	x	No-op
1	1	1	1	SIO Request Frame	1	1	1	1	SIO Request Frame
1	1	0	0	SIO Reset	1	1	0	0	SIO Reset
1	1	1	0	Reserved	1	1	1	0	Reserved
1	1	0	1	Reserved	1	1	0	1	Reserved

SIO Pin Initialization

SIO0 and SIO1 pins on Direct RDRAM devices are bi-directional; their direction needs to be initialized. The “SIO Reset” initializes SIO0 and SIO1 pins on all Direct RDRAMs as daisy chain configuration and is performed with SCK and CMD. Once the SIO daisy chain is fully configured, SIO operations can occur. Note “SIO Reset” does NOT reset the entire device. For a complete description of operation and associated timing diagram, refer to Direct RDRAM data sheet from Rambus*.

SIO Operations

SIO operations are also known as Direct RDRAM initialization operations. These operations include Direct RDRAM register accesses and device reset, and are performed using the SCK, CMD, SIO0, and SIO1 CMOS pins. For a complete description of operation and associated timing diagram, refer to the Direct RDRAM data sheet from Rambus*.

Nap and PowerDown Exits

The Nap and Power Down exits are performed using CMD, SIO and SCK signals. For a complete description and timing diagrams associated with Nap and PowerDown exits, refer to Direct RDRAM data sheet from Rambus*.

5.3.1.3. Direct RDRAM Core Refresh

All rows in an Direct RDRAM device must be refreshed within 32 ms. The refresh rate depends on the device size and page size of a device. MCH supports two core refresh mechanisms: Active refresh and self refresh.

- **Active Refresh.** Refresh and precharge after refresh commands are issued from the primary control packet. These commands provide refresh support in Standby/Active modes.
- **Self Refresh.** Internal timebase and row/bank address counters in the core provide allow for a self refresh in PowerDown modes without controller support.

5.3.1.4. Direct RDRAM Current Calibration

All Direct RDRAM devices must be current calibrated once every 100 ms. There are RSL commands to perform this function. The MCH schedules periodic current calibration activity such that every device in the channel is current calibrated at least once every 100 ms.

5.3.2. Direct RDRAM Command Encoding

The operations on a Direct RDRAM channel are performed using control packets. There are two types of command packets—row (ROWA/ROWR) packet and column (COLC/COLM/COLX) packet. Each command packet requires 4 Direct RDRAM clock duration and packet data is transferred on both (leading and falling) edges of the clock. A Row packet contains 24 bits and column packet contains 40 bits.

5.3.2.1. Row Packet (ROWA/ROWR)

The row packet is defined using three RSL signals RQ[7:5]/ROW[2:0]. The row packet is generally the first control packet issued to a device. Major characteristics of a row packet are:

- The only way to activate (sense) a row within a bank
- Independent of Direct RDRAM's active/standby state
- A non-broadcast row package causes an addressed Direct RDRAM to move to active state

The packet definition of row packet is provided in the following table.

Table 19. ROWA Packet for Activating (sensing) a Row (i.e., AV = 1)

Row #	Cycle 0		Cycle 1		Cycle 2		Cycle 3	
ROW2	DR4T	DR[2]	BR[0]	BR[3]	R[10]	R[8]	R[5]	R[2]
ROW1	DR4F	D[R1]	BR[1]	BR[4]	R[9]	R[7]	R[4]	R[1]
ROW0	DR[3]	DR[0]	BR[2]	REV	AV = 1	R[6]	R[3]	R[0]

Table 20. ROWR Packet for other operations (i.e., AV = 0)

Row #	Cycle 0		Cycle 1		Cycle 2		Cycle 3	
ROW2	DR4T	DR[2]	BR[0]	BR[3]	ROP[10]	ROP[8]	ROP[5]	ROP[2]
ROW1	DR4F	DR[1]	BR[1]	BR[4]	ROP[9]	ROP[7]	ROP[4]	ROP[1]
ROW0	DR[3]	DR[0]	BR[2]	REV	AV = 0	ROP[6]	ROP[3]	ROP[0]

DR4T	DR4F	Device ID
0	0	No row packet
0	1	DR[3:0], DR[4] = 0
1	0	DR[3:0], DR[4] = 1
1	1	Broadcast

DR[4] – DR[0] Device address
 BR[5] – BR[0] Bank Address
 R[10] – R[0] Row address
 AV Select between ROWA and ROWR, Active Row
 ROP[10] – ROP[0] Opcode for Primary Control Packet
 REV Reserved

AV	Opcode bits									Operation Description
	10	9	8	7	6	5	4	3	2:0	
1	x	x	x	x	x	x	x	x	xxx	Activate Row
0	1	1	0	0	0	0	0	0	000	Precharge
0	1	1	0	0	0	0	0	1	000	Precharge & Relax
0	0	0	0	1	1	0	0	0	000	Refresh
0	1	0	1	0	1	0	0	0	000	Precharge Postrefresh
0	0	0	0	0	0	1	0	0	000	Nap
0	0	0	0	0	0	1	1	0	000	Conditional Nap
0	0	0	0	0	0	0	1	0	000	Power Down
0	0	0	0	0	0	0	0	1	000	Relax
0	0	0	0	0	0	0	0	0	010	Temp Calibration Enable
0	0	0	0	0	0	0	0	0	001	Temp Calibration
0	0	0	0	0	0	0	0	0	000	No-op

Legend: x = Controller drives 0 or 1
0 = Controller drives 0
1 = Controller drives 1

5.3.2.2. Column Packet (COLC/COLX)

The column packet is defined using five of the RSL signals RQ[4:0]/COL[4:0]. Major characteristics of column are:

- the only way to dispatch column operation for read or write
- requires the target Direct RDRAM to be in active state

Note: When an Direct RDRAM is in active state, it can receive both row and column packets. When a Direct RDRAM is in Standby state, it can only receive a row packet. Thus, before sending a column packet, make sure the addressed Direct RDRAM is in active state.

The packet definition of column packet is provided below.

Table 21. COLC Packet

Col #	Cycle 0		Cycle 1		Cycle 2		Cycle 3	
COL4	DC[4]	S = 1					C[6]	C[4]
COL3	DC[3]						C[5]	C[3]
COL2	DC[2]	COP[1]				REV	BC[2]	C[2]
COL1	DC[1]	COP[0]				BC[4]	BC[1]	C[1]
COL0	DC[0]	COP[2]			COP[3]	BC[3]	BC[0]	C[0]

DC[4:0] Device ID for Column Operation
 S Start bit, for framing
 M Mask bit. Asserted indicates mask format for packet
 COP[3:0] Column Operation Code
 C[6:0] Address for Column operation
 BC[4:0] Bank Address for Column operation
 REV Reserved

Table 22. COLC Packet Field Encodings

S	COP[3]	COP[2]	COP[1]	COP[0]	Command Operation
0	x	x	x	x	No operation
1	x	0	0	0	NOCOP. Retire write buffer of this device
1	x	0	0	1	Write
1	x	0	1	1	Read

NOTES: All other combination are reserved

Table 23. COLX Packet (M = 0)

	Cycle 0		Cycle 1		Cycle 2		Cycle 3	
COL4			DX[4]	XOP[4]	REV	BX[1]		
COL3		M = 0	DX[3]	XOP[3]	BX[4]	BX[0]		
COL2			DX[2]	XOP[2]	BX[3]			
COL1			DX[1]	XOP[1]	BX[2]			
COL0			DX[0]	XOP[0]				

DX[4:0] Device ID for Extra operation
 BX[4:0] Bank Address for Extra operation
 MA[7:0] Byte Mask (low order)
 MB[7:0] Byte Mask (high order)
 XOP[4:0] Opcode for Extra Operation
 REV Reserved

Table 24. COLM Packet and COLX Packet Field Encodings

M	XOP Bits					Operation Description
	4	3	2	1	0	
1	x	x	x	x	x	Non existent Xop
0	0	0	0	0	0	NoXop
0	1	0	0	0	0	Reserved
0	0	1	0	0	0	Calibrate Current
0	0	1	1	0	0	Calibrate Current & Sample
0	0	0	0	0	1	Reserved

Legend: x = Controller drives 0 or 1
 0 = Controller drives 0
 1 = Controller drives 1

5.3.2.3. Data Packet

Table 25. Data Packet

	Cycle 0		Cycle 1		Cycle 2		Cycle 3	
DQA[8:0]	DA0[8:0]	DA1[8:0]	DA2[8:0]	DA3[8:0]	DA4[8:0]	DA5[8:0]	DA6[8:0]	DA7[8:0]
DQB[8:0]	DB0[8:0]	DB1[8:0]	DB2[8:0]	DB3[8:0]	DB4[8:0]	DB5[8:0]	DB6[8:0]	DB7[8:0]

5.3.3. Direct RDRAM Register Programming

Software can read and write Direct RDRAM device registers by programming the RDRAM Initialization Control Management (RICM) Register in the MCH. The register data returned by the device will be available in the Device Register Data (DRD) Register.

5.3.4. Direct RDRAM Operating States

The Direct RDRAM devices support different operating and idle states to minimize the power consumption and thermal overload. Table 26 provides an overview of the different operating/power states supported by Direct RDRAMs.

Table 26. DRAM Operating States

Direct RDRAM State	Functionality	Refresh Scheme	RDRAM Clock State
Inactive States			
PowerDown	No operation allowed except refresh. Direct RDRAM awaits CMOS signals to exit PowerDown state	Self Refresh	stopped
Nap	No operation allowed except refresh. Direct RDRAM awaits Nap exit command to exit Nap	Active Refresh	stopped
Active States			
Standby	Device Ready to receive row packet . with fast clock	Active Refresh	full speed
Active	Device ready to receive any control packet	Active Refresh	full speed
Active-Read	Device ready to receive any control packet. Transmitting data on channel	Active Refresh	full speed
Active-Write	Device ready to receive any control packet. Receiving data from channel	Active Refresh	full speed

Active-Read/Write state

A Direct RDRAM device is in active-Read/Write state when it is transferring data. This state lasts as long as the data transfer is occurring. Once the data transfer is done, the Direct RDRAM transitions into Active or Standby state based on the column command last executed.

Active State

A Direct RDRAM enters into active state immediately after the data transfer from/to that device is done and the last COLC command that caused the data transfer does not have its RC bit set to 1. When a device is in Active state, it can accept both row and column packets.

Standby State

A Direct RDRAM enters into Standby state either from Active-Read/Write or Active state. Transition from Active-Read/Write to Standby happens if the last column executed has its RC bit set to 1. Transition from Active to Standby happens if COLC or row specifies an operation with Relax. When a

device is in Standby mode, it can accept only row packets. Once a device receives any row packet, it transitions into active state and then can accept a column packet.

Nap State

A Direct RDRAM enters into Nap state when it receives a row packet that specified an operation with Nap. No operations except refresh is allowed during Nap state.

PowerDown State

A Direct RDRAM enters into PowerDown state when it receives a row packet which specified an operation with PowerDown. No operations, except Self-refresh, are allowed during PowerDown state.

RDRAM Operating Pools

To minimize the operating power, the RDRAM devices are grouped into two operating pools called Pool “A” and Pool “B”.

Pool “A” and Pool “B” Operation

In the “pool” mode, two queues are used inside the MCH: pool “A” contains references to device pairs that are currently in the active mode while pool “B” contains references to device pairs that are in the standby mode. All devices that are found in neither pool are either napping or standby. Pool “A” may hold between 1 and 8 device pairs, while pool “B” may be configured to contain between 1 and 16 device pairs.

5.3.5. RDRAM Power Management

82840 MCH systems support ACPI based power management. The MCH puts all RDRAM devices into PowerDown (PD) state during S3 power management states. To enter the PowerDown state all RDRAM devices in the channel must be in active or standby state. The MCH then sends a broadcast PowerDown command to that channel.

During PowerDown state, RDRAM devices are put into Self Refresh mode so that external (active) refreshes are not required. During the powerdown state, the clocks to RDRAM are shut off. Exiting the powerdown and Nap states are done through CMOS signals. Table 27 shows the actions taken by MCH during different processor and System power states.

Table 27. RDRAM Power Management States

Processor State	System State	State of RDRAMs in Pool “A”	State of RDRAMs in Pool “B”	State of RDRAMs in Pool “C”	Refresh Scheme	RDRAM Clock State
C0, C1, C2 (processor in working state)	S0	Active-Read/Write, Active	Standby	Nap or Standby	Active	Running
(processor in inactive state)	S1, S3(STR)	No devices in Pool “A”	No devices in Pool “B”	Powerdown	Self	Stopped

5.3.6. Data Integrity

The MCH supports an Error Correcting Code (or Error Checking and Correcting) on the main memory interface. The MCH can optionally be configured to generate the ECC code for writes to memory and check the code for reads from memory. The MCH generates an 8-bit code word for each 64-bit QWord of memory. Since the code word covers a full QWord, writes of less than a QWord require a read-merge-write operation. Consider a DWord write to memory. In this case, when in ECC mode, the MCH will read the QWord where the addressed DWord will be written, merge in the new DWord, generate a code covering the new QWord and finally write the entire QWord and code back to memory. Any correctable (single) errors detected during the initial QWord read are corrected before merging the new DWord.

Error scrubbing is supported by the MCH. When enabled, this feature not only corrects single bit error data being returned to the requesting agent but also writes the corrected value back to the DRAM array.

Single-bit and multiple-bit errors set separate flags in the ERRSTS register. Single-bit errors and multiple-bit errors can be independently enabled to generate hub interface SERR, SMI, or SCI special cycles to the ICH. The address and syndrome of the first single bit error are latched in the EAP and DERRCTL registers. Subsequent single bit errors do not overwrite the EAP and DERRCTL registers unless the single-bit error status bit is cleared. A multiple-bit error overwrites the EAP and DERRCTL registers. Subsequent multiple-bit errors do not overwrite the EAP and DERRCTL registers, unless the multiple-bit error status bit is cleared.

5.3.7. RDRAM Array Thermal Management

The RDRAM thermal and power management functions of the 82840 MCH have been optimized for workstation and server system designs. It is assumed that proper system design will always provide and ensure adequate cooling in a 82840 chipset based system. The failsafe mechanism that protects the devices in the event of a catastrophic failure requires an external thermal sensor. When the thermal sensor is activated, the MCH immediately exits the “all devices on” mode and reverts the pool mode that has been programmed by system software.

In a 82840-based system, RDRAM operates in one of three modes: active, standby, or nap. The number of devices allowed in each state at any given time is dictated by the heat dissipation budget specified by the system designer. From 1 to 8 device-pairs may be in pool “A” and are configured to operate in the active mode. In addition, from 1 to 16 device-pairs may be in pool “B” and are configured to operate in the standby mode. The rest of the device-pairs are in pool “C” and may be configured to operate in either nap mode or standby mode. Regardless of how many devices are configured into pool “A” and pool “B” or whether the pool “C” devices are in napping or standby mode, the system designer is responsible for providing adequate cooling for the number of RDRAM devices in the system.

After BIOS loads the system’s “target” values into the DPS register and initializes the pools, it should load a “safer” set of values into the DPS register without setting the POOLINIT field. The POOLINIT bit instructs the MCH to transition to the new pool sizes. There are two other conditions that cause the 82840 MCH to resize and initialize the pools:

- The transition of the OVERT# pin from electrical 1 to electrical 0
- The detection of an overtemperature condition on any RDRAM device

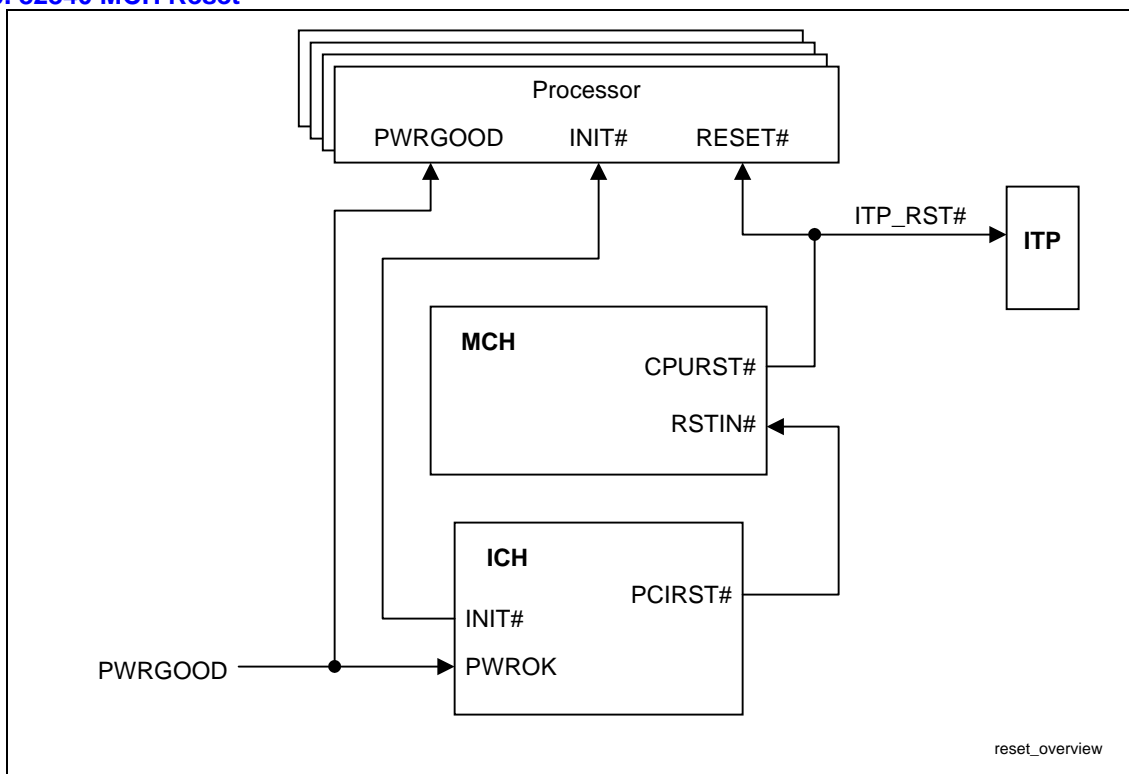
The OVERT# method is intended to allow system designers to use external thermal sensors to monitor the system temperature and assert OVERT# when system temperature exceeds system specifications. When the 82840 MCH detects a falling edge on the OVERT# signal, it reinitializes and resizes the pools with whatever values are in the DPS register. Also, the RDRAM devices report overtemperature

conditions back to the MCH via a special bit asserted during their current calibration operations. When the MCH detects an overtemperature condition in any of the memory devices, the RDRAM pools are reinitialized with “safer” values. Finally, the MCH may be configured to send an SERR, SCI, or SMI hub interface message to ICH. The software may take action to cool the system or to log the condition.

5.4. System Reset

The reset scheme for 82840 MCH is shown in Figure 10. After PWROK is asserted to indicate the system power is stable, RSTIN# is generated by ICH and is used as an input to reset the MCH. The MCH always asserts CPURST#, if RSTIN# is asserted. The assertion of CPURST# resets the processors, as well as ITP. CPURST# is deasserted synchronous to the host bus clock.

Figure 10. 82840 MCH Reset



NOTES: The diagram does not represent all the details for schematics connection.

6. *Ballout and Package Information*

6.1. MCH Ball List

The following two figures show a footprint of the MCH ballout with the signals indicated for each ball location. Table 28 provides an alphabetical ball list.

Figure 11. MCH Ballout (Top View, Left Side)

	1	2	3	4	5	6	7	8	9	10	11	12	13
A	AGPRCOMP	AGPREF	GAD8	VCC1_8	CLK66	GFRAME#	GAD17	GC/BE3#	GAD25	GAD30	SBA4	SBA2	RBF#
B	GAD3	GAD7	GC/BE0#	GAD12	VSS	GDEVSEL#	VSS	GAD21	GAD24	VSS	SBA5	VSS	PIPE#
C	GAD2	GAD6	VDDQ	VSS	GPARG	GTRDY#	GAD18	VDDQ	ADSTB1	GAD29	SBSTB#	SBA3	VDDQ
D	GAD1	VSS	ADSTB0	GAD11	G/CBE1#	GSTOP#	GC/BE2#	GAD22	ADSTB1#	GAD28	SBA6	SBSTB	WBF#
E	GAD0	GAD5	ADSTB0#	GAD10	GAD15	VSS	GAD16	GAD19	VSS	GAD27	SBA7	VSS	SBA0
F	VSS	GAD4	VSS	GAD9	GAD14	GSERR#	GIRDY#	GAD20	GAD23	GAD26	GAD31	VDDQ	SBA1
G	CHA_DQA8	VSS	CHA_DQA7	VSS	GAD13	VDDQ	VDDQ	VDDQ	VDDQ	Vcc1_8			
H	CHA_DQA6	VSS	CHA_DQA5	VSS	VSS	VDDQ	Vcc1_8						
J	CHA_DQA2	CHA_DQA4	CHA_DQA3	VSS	VSS	VCC1_8	VCC1_8						
K	CHA_DQA0	VSS	CHA_DQA1	VSS	VSS	VCC1_8	VCC1_8						
L	CHA_CFM	CHA_CFM#	VSS	VSS	VSS	VCC1_8					VCC1_8	VCC1_8	VSS
M	CHA_CTM#	CHA_CTM	VSS	VSS	VSS	VCC1_8					VCC1_8	VSS	VSS
N	CHA_RQ6	VSS	CHA_RQ7	VSS	VSS	CHA_REF0					VSS	VSS	VSS
P	CHA_RQ5	CHA_EXP1	CHA_EXP0	VSS	VSS	CHA_REF1					VSS	VSS	VSS
R	CHA_RQ4	VSS	CHA_RQ3	VSS	VSS	Vcc1_8					VCC1_8	VSS	VSS
T	CHA_RQ2	CHA_RQ1	CHA_RQ0	VSS	VSS	VCC1_8					VCC1_8	VCC1_8	VSS
U	CHA_DQB1	VSS	CHA_DQB0	VSS	VSS	VCC1_8	VCC1_8						
V	CHA_DQB3	CHA_DQB6	CHA_DQB2	VSS	VSS	VCC1_8	VCC1_8						
W	CHA_DQB5	VSS	CHA_DQB4	VSS	VSS	NC	VCC1_8						
Y	CHA_DQB7	VSS	CHA_DQB8	VSS	VSS	Vcc1_8	Vcc1_8	VCC1_8	VCC1_8	VCC1_8			
AA	VSS	VSS	VSS	CMDA	SCKA	OVERT#	Vcc1_8	VCC1_8	VCC1_8	VCC1_8	VCC1_8	VCC1_8	CHB_REF0
AB	RCLKOUTA	SIOA	DCLKOUTA	HLAPD0	VSS	RSTIN#	VSS	VSS	VSS	VSS	VSS	VSS	VSS
AC	HLAPD3	VSS	HLA11	HLAPD2	HLAPD1	TEST#	VSS	VSS	VSS	VSS	VSS	VSS	VSS
AD	HLA8	HLASTB#	HLASTB	VSS	DCLKOUTB	VSS	CHB_DQA7	CHB_DQA5	CHB_DQA3	CHB_DQA1	VSS	VSS	CHB_RQ7
AE	HLAPD6	VSS	HLA10	HLAPD4	HLA9	VSS	VSS	VSS	CHB_DQA4	VSS	CHB_CFM#	CHB_CTM	VSS
AF	HLAPD7	HLAPD5	HLAREF	HLAZCOMP	RCLKOUTB	VSS	CHB_DQA8	CHB_DQA6	CHB_DQA2	CHB_DQA0	CHB_CFM	CHB_CTM#	CHB_RQ6

Figure 12. MCH Ballout (Top View, Right Side)

	14	15	16	17	18	19	20	21	22	23	24	25	26	
A	GREQ#	HLBSTB0#	HLBSTB0	HLB17	HLBPD9	HLBRCOMP	IERR#	GTLREFA	VCC1_8	VSS	DEP2#	DEP4#	DEP0#	
B	GGNT#	VSS	HLBPD4	VSS	HLBPD10	VSS	HLBREF	DEP1#	HCLKIN	DEP3#	DEP7#	VSS	DEP5#	
C	ST0	HLBPD1	HLBPD5	HLB19	HLBPD11	HLBPD13	DEP6#	HD61#	VSS	HD62#	HD58#	HD63#	HD55#	
D	ST1	HLBPD2	HLBPD6	HLB16	HLBSTB1#	HLBPD14	HD60#	HD53#	HD57#	HD56#	HD50#	HD54#	HD46#	
E	ST2	VSS	HLBPD7	VSS	HLBSTB1	VSS	HD49#	VSS	HD51#	HD59#	HD48#	VSS	HD42#	
F	HLBPD0	HLBPD3	HLB18	HLBPD8	HLBPD12	HLBPD15	HD45#	HD39#	HD52#	VSS	HD41#	HD47#	HD43#	
G				Vcc1_8	Vcc1_8	Vcc1_8	VSS	HD37#	HD33#	HD44#	HD36#	HD40#	HD35#	
H							VTT	HD31#	VSS	HD34#	HD38#	VSS	HD30#	
J							VTT	HD27#	HD24#	HD32#	HD28#	HD29#	HD23#	
K							VTT	HD21#	HD16#	HD26#	HD25#	HD22#	HD13#	
L	VSS	VCC1_8	VCC1_8					HD11#	VSS	HD19#	HD18#	VSS	HD10#	
M	VSS	VSS	VCC1_8					HD14#	HD9#	HD20#	HD17#	HD15#	HD8#	
N	VSS	VSS	VSS					HD5#	HD3#	HD12#	HD7#	HD6#	HD1#	
P	VSS	VSS	VSS					BERR#	VSS	HD4#	HD2#	VSS	HA33#	
R	VSS	VSS	VCC1_8					HA34#	HA30#	HD0#	CPURST#	HA35#	HA32#	
T	VSS	VCC1_8	VCC1_8					HA31#	HA27#	HA22#	HA29#	HA26#	HA24#	
U							VTT	HA23#	VSS	HA19#	HA28#	VSS	HA20#	
V							VTT	HA18#	HA16#	HA13#	HA21#	HA25#	HA15#	
W							VTT	HA14#	HA10#	HA5#	HA17#	HA11#	HA12#	
Y				VCC1_8	VCC1_8	VCC1_8	VSS	HA9#	VSS	HA4#	HA8#	VSS	HA7#	
AA	CHB_REF1	Vcc1_8	VCC1_8	VCC1_8	VCC1_8	VCC1_8	VCC1_8	BNR#	BPRI#	HA3#	HA6#	HREQ0#	HTRDY#	
AB	VSS	VSS	VSS	VSS	VSS	VSS	VSS	SCKB	DEFER#	HREQ1#	HREQ4#	HLOCK#	HREQ2#	
AC	VSS	VSS	VSS	VSS	VSS	VSS	VSS	CMDB	VSS	HREQ3#	DRDY#	VSS	HITM#	
AD	CHB_EXP0	CHB_RQ3	CHB_RQ0	CHB_DQB0	CHB_DQB2	CHB_DQB4	CHB_DQB8	VSS	DBSY#	RS0#	HIT#	RS2#	RP#	
AE	CHB_EXP1	VSS	CHB_RQ1	VSS	CHB_DQB6	VSS	VSS	VSS	SIQB	VSS	RSP#	VSS	ADS#	
AF	CHB_RQ5	CHB_RQ4	CHB_RQ2	CHB_DQB1	CHB_DQB3	CHB_DQB5	CHB_DQB7	VSS	GTLREFB	RS1#	BREQ0#	AP0#	AP1#	

Table 28. MCH Alphabetical Ballout List

Signal	Ball #
ADS#	AE26
ADSTB0	D3
ADSTB0#	E3
ADSTB1	C9
ADSTB1#	D9
AGPRCOMP	A1
AGPREF	A2
AP0#	AF25
AP1#	AF26
BERR#	P21
BNR#	AA21
BPRI#	AA22
BREQ0#	AF24
CHA_CFM	L1
CHA_CFM#	L2
CHA_CTM	M2
CHA_CTM#	M1
CHA_DQA0	K1
CHA_DQA1	K3
CHA_DQA2	J1
CHA_DQA3	J3
CHA_DQA4	J2
CHA_DQA5	H3
CHA_DQA6	H1
CHA_DQA7	G3
CHA_DQA8	G1
CHA_DQB0	U3
CHA_DQB1	U1
CHA_DQB2	V3
CHA_DQB3	V1
CHA_DQB4	W3
CHA_DQB5	W1
CHA_DQB6	V2
CHA_DQB7	Y1
CHA_DQB8	Y3

Signal	Ball #
CHA_EXP0	P3
CHA_EXP1	P2
CHA_REF0	N6
CHA_REF1	P6
CHA_RQ0	T3
CHA_RQ1	T2
CHA_RQ2	T1
CHA_RQ3	R3
CHA_RQ4	R1
CHA_RQ5	P1
CHA_RQ6	N1
CHA_RQ7	N3
CHB_CFM	AF11
CHB_CFM#	AE11
CHB_CTM	AE12
CHB_CTM#	AF12
CHB_DQA0	AF10
CHB_DQA1	AD10
CHB_DQA2	AF9
CHB_DQA3	AD9
CHB_DQA4	AE9
CHB_DQA5	AD8
CHB_DQA6	AF8
CHB_DQA7	AD7
CHB_DQA8	AF7
CHB_DQB0	AD17
CHB_DQB1	AF17
CHB_DQB2	AD18
CHB_DQB3	AF18
CHB_DQB4	AD19
CHB_DQB5	AF19
CHB_DQB6	AE18
CHB_DQB7	AF20
CHB_DQB8	AD20
CHB_EXP0	AD14

Signal	Ball #
CHB_EXP1	AE14
CHB_REF0	AA13
CHB_REF1	AA14
CHB_RQ0	AD16
CHB_RQ1	AE16
CHB_RQ2	AF16
CHB_RQ3	AD15
CHB_RQ4	AF15
CHB_RQ5	AF14
CHB_RQ6	AF13
CHB_RQ7	AD13
CLK66	A5
CMDA	AA4
CMDB	AC21
CPURST#	R24
DBSY#	AD22
DCLKOUTA	AB3
DCLKOUTB	AD5
DEFER#	AB22
DEP0#	A26
DEP1#	B21
DEP2#	A24
DEP3#	B23
DEP4#	A25
DEP5#	B26
DEP6#	C20
DEP7#	B24
DRDY#	AC24
G/CBE1#	D5
GAD0	E1
GAD1	D1
GAD2	C1
GAD3	B1
GAD4	F2
GAD5	E2

Signal	Ball #
GAD6	C2
GAD7	B2
GAD8	A3
GAD9	F4
GAD10	E4
GAD11	D4
GAD12	B4
GAD13	G5
GAD14	F5
GAD15	E5
GAD16	E7
GAD17	A7
GAD18	C7
GAD19	E8
GAD20	F8
GAD21	B8
GAD22	D8
GAD23	F9
GAD24	B9
GAD25	A9
GAD26	F10
GAD27	E10
GAD28	D10
GAD29	C10
GAD30	A10
GAD31	F11
GC/BE0#	B3
GC/BE2#	D7
GC/BE3#	A8
GDEVSEL#	B6
GFRAME#	A6
GGNT#	B14
GIRDY#	F7
GPAR	C5
GREQ#	A14

Signal	Ball #
GSERR#	F6
GSTOP#	D6
GTLREFA	A21
GTLREFB	AF22
GTRDY#	C6
HA3#	AA23
HA4#	Y23
HA5#	W23
HA6#	AA24
HA7#	Y26
HA8#	Y24
HA9#	Y21
HA10#	W22
HA11#	W25
HA12#	W26
HA13#	V23
HA14#	W21
HA15#	V26
HA16#	V22
HA17#	W24
HA18#	V21
HA19#	U23
HA20#	U26
HA21#	V24
HA22#	T23
HA23#	U21
HA24#	T26
HA25#	V25
HA26#	T25
HA27#	T22
HA28#	U24
HA29#	T24
HA30#	R22
HA31#	T21
HA32#	R26
HA33#	P26

Signal	Ball #
HA34#	R21
HA35#	R25
HCLKIN	B22
HD00#	R23
HD1#	N26
HD2#	P24
HD3#	N22
HD4#	P23
HD5#	N21
HD6#	N25
HD7#	N24
HD8#	M26
HD9#	M22
HD10#	L26
HD11#	L21
HD12#	N23
HD13#	K26
HD14#	M21
HD15#	M25
HD16#	K22
HD17#	M24
HD18#	L24
HD19#	L23
HD20#	M23
HD21#	K21
HD22#	K25
HD23#	J26
HD24#	J22
HD25#	K24
HD26#	K23
HD27#	J21
HD28#	J24
HD29#	J25
HD30#	H26
HD31#	H21
HD32#	J23

Signal	Ball #
HD33#	G22
HD34#	H23
HD35#	G26
HD36#	G24
HD37#	G21
HD38#	H24
HD39#	F21
HD40#	G25
HD41#	F24
HD42#	E26
HD43#	F26
HD44#	G23
HD45#	F20
HD46#	D26
HD47#	F25
HD48#	E24
HD49#	E20
HD50#	D24
HD51#	E22
HD52#	F22
HD53#	D21
HD54#	D25
HD55#	C26
HD56#	D23
HD57#	D22
HD58#	C24
HD59#	E23
HD60#	D20
HD61#	C21
HD62#	C23
HD63#	C25
HIT#	AD24
HITM#	AC26
HLA8	AD1
HLA9	AE5
HLA10	AE3

Signal	Ball #
HLA11	AC3
HLAPD0	AB4
HLAPD1	AC5
HLAPD2	AC4
HLAPD3	AC1
HLAPD4	AE4
HLAPD5	AF2
HLAPD6	AE1
HLAPD7	AF1
HLAREF	AF3
HLASTB	AD3
HLASTB#	AD2
HLAZCOMP	AF4
HLB16	D17
HLB17	A17
HLB18	F16
HLB19	C17
HLBPD0	F14
HLBPD1	C15
HLBPD2	D15
HLBPD3	F15
HLBPD4	B16
HLBPD5	C16
HLBPD6	D16
HLBPD7	E16
HLBPD8	F17
HLBPD9	A18
HLBPD10	B18
HLBPD11	C18
HLBPD12	F18
HLBPD13	C19
HLBPD14	D19
HLBPD15	F19
HLBRCOMP	A19
HLBREF	B20
HLBSTB0	A16

Signal	Ball #
HLBSTB0#	A15
HLBSTB1	E18
HLBSTB1#	D18
HLOCK#	AB25
HREQ0#	AA25
HREQ1#	AB23
HREQ2#	AB26
HREQ3#	AC23
HREQ4#	AB24
HTRDY#	AA26
IERR#	A20
NC	W6
OVERT#	AA6
PIPE#	B13
RBF#	A13
RCLKOUTA	AB1
RCLKOUTB	AF5
RP#	AD26
RS0#	AD23
RS1#	AF23
RS2#	AD25
RSP#	AE24
RSTIN#	AB6
SBA0	E13
SBA1	F13
SBA2	A12
SBA3	C12
SBA4	A11
SBA5	B11
SBA6	D11
SBA7	E11
SBSTB	D12
SBSTB#	C11
SCKA	AA5
SCKB	AB21
SIOA	AB2

Signal	Ball #
SIOB	AE22
ST0	C14
ST1	D14
ST2	E14
TEST#	AC6
VCC1_8	W7
VCC1_8	Y8
VCC1_8	Y19
VCC1_8	AA8
VCC1_8	AA19
VCC1_8	AA20
VCC1_8	G10
VCC1_8	G17
VCC1_8	G18
VCC1_8	G19
VCC1_8	H7
VCC1_8	L11
VCC1_8	L12
VCC1_8	L15
VCC1_8	L16
VCC1_8	M11
VCC1_8	M16
VCC1_8	R6
VCC1_8	R11
VCC1_8	R16
VCC1_8	T11
VCC1_8	T12
VCC1_8	T15
VCC1_8	T16
VCC1_8	Y6
VCC1_8	Y7
VCC1_8	AA7
VCC1_8	AA15
VCC1_8	A4
VCC1_8	A22
VCC1_8	J6

Signal	Ball #
VCC1_8	J7
VCC1_8	K6
VCC1_8	K7
VCC1_8	L6
VCC1_8	M6
VCC1_8	T6
VCC1_8	U6
VCC1_8	U7
VCC1_8	V6
VCC1_8	V7
VCC1_8	Y9
VCC1_8	Y10
VCC1_8	Y17
VCC1_8	Y18
VCC1_8	AA9
VCC1_8	AA10
VCC1_8	AA11
VCC1_8	AA12
VCC1_8	AA16
VCC1_8	AA17
VCC1_8	AA18
VDDQ	C3
VDDQ	C8
VDDQ	C13
VDDQ	F12
VDDQ	G6
VDDQ	G7
VDDQ	G8
VDDQ	G9
VDDQ	H6
VSS	A23
VSS	B5
VSS	B7
VSS	B10
VSS	B12
VSS	B15

Signal	Ball #
VSS	B17
VSS	B19
VSS	B25
VSS	C4
VSS	C22
VSS	D2
VSS	E6
VSS	E9
VSS	E12
VSS	E15
VSS	E17
VSS	E19
VSS	E21
VSS	E25
VSS	F1
VSS	F3
VSS	F23
VSS	G2
VSS	G4
VSS	G20
VSS	H2
VSS	H4
VSS	H5
VSS	H22
VSS	H25
VSS	J4
VSS	J5
VSS	K2
VSS	K4
VSS	K5
VSS	L3
VSS	L4
VSS	L5
VSS	L13
VSS	L14
VSS	L22

Signal	Ball #
VSS	L25
VSS	M3
VSS	M4
VSS	M5
VSS	M12
VSS	M13
VSS	M14
VSS	M15
VSS	N2
VSS	N4
VSS	N5
VSS	N11
VSS	N12
VSS	N13
VSS	N14
VSS	N15
VSS	N16
VSS	P4
VSS	P5
VSS	P11
VSS	P12
VSS	P13
VSS	P14
VSS	P15
VSS	P16
VSS	P22
VSS	P25
VSS	R2
VSS	R4
VSS	R5
VSS	R12
VSS	R13
VSS	R14
VSS	R15
VSS	T4
VSS	T5

Signal	Ball #
VSS	T13
VSS	T14
VSS	U2
VSS	U4
VSS	U5
VSS	U22
VSS	U25
VSS	V4
VSS	V5
VSS	W2
VSS	W4
VSS	W5
VSS	Y2
VSS	Y4
VSS	Y5
VSS	Y20
VSS	Y22
VSS	Y25
VSS	AA1
VSS	AA2
VSS	AA3
VSS	AB5
VSS	AB7
VSS	AB8
VSS	AB9
VSS	AB10
VSS	AB11
VSS	AB12
VSS	AB13
VSS	AB14
VSS	AB15
VSS	AB16
VSS	AB17
VSS	AB18
VSS	AB19
VSS	AB20

Signal	Ball #
VSS	AC2
VSS	AC7
VSS	AC8
VSS	AC9
VSS	AC10
VSS	AC11
VSS	AC12
VSS	AC13
VSS	AC14
VSS	AC15
VSS	AC16
VSS	AC17
VSS	AC18
VSS	AC19
VSS	AC20
VSS	AC22
VSS	AC25
VSS	AD4
VSS	AD6
VSS	AD11
VSS	AD12
VSS	AD21
VSS	AE2
VSS	AE6
VSS	AE7
VSS	AE8
VSS	AE10
VSS	AE13
VSS	AE15
VSS	AE17
VSS	AE19
VSS	AE20
VSS	AE21
VSS	AE23
VSS	AE25
VSS	AF6

Signal	Ball #
VSS	AF21
VTT	H20
VTT	J20
VTT	K20
VTT	U20
VTT	V20
VTT	W20
WBF#	D13

6.2. Package Information

This specification outlines the mechanical dimensions for the 82840 MCH. The package is a 544 ball grid array (BGA).

Figure 13. 82840 MCH BGA Package Dimensions (Top and Side Views)

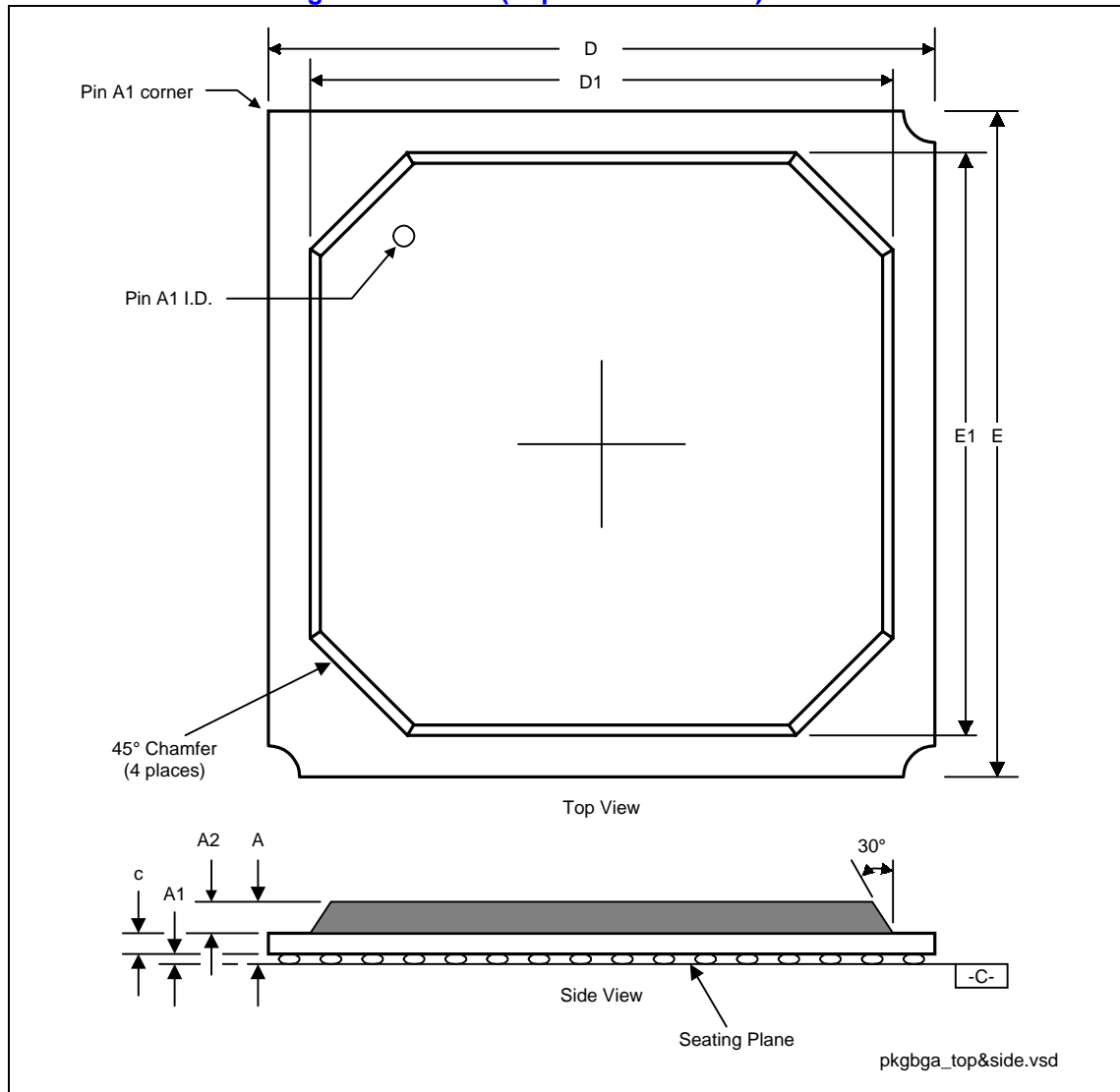
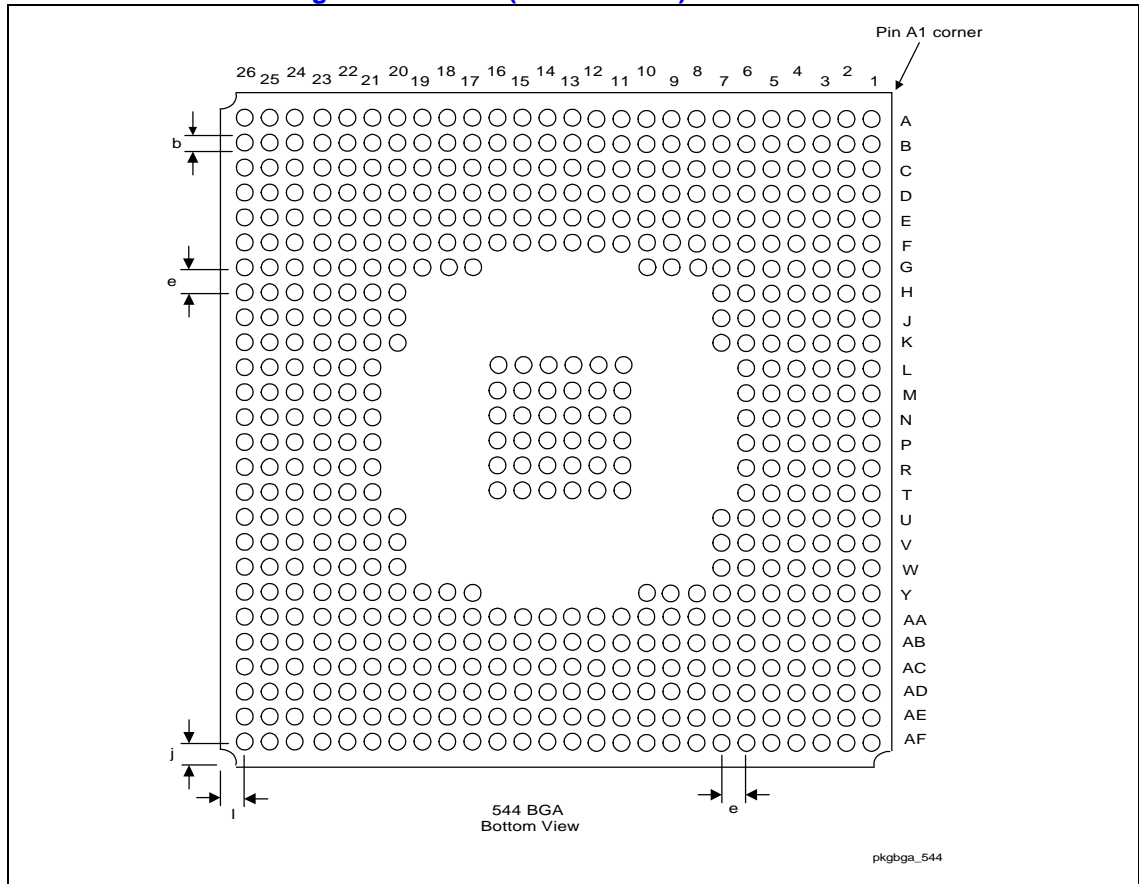


Figure 14. 82840 MCH BGA Package Dimensions (Bottom View)

Table 29. Package Dimensions

Symbol	Min	Nominal	Max	Units	Note
A	2.17	2.38	2.59	mm	
A1	0.50	0.60	0.70	mm	
A2	1.12	1.17	1.22	mm	
D	34.80	35.00	35.20	mm	
D1	29.75	30.00	30.25	mm	
E	34.80	35.00	35.20	mm	
E1	29.75	30.00	30.25	mm	
e	1.27 (solder ball pitch)			mm	
l	1.63 REF.			mm	
J	1.63 REF.			mm	
M	26 x 26 Matrix			mm	
b ²	0.60	0.75	0.90	mm	
c	0.55	0.61	0.67	mm	

NOTES:

1. All dimensions and tolerances conform to ANSI Y14.5-1982
2. Dimension is measured at maximum solder ball diameter parallel to primary datum (-C-)
3. Primary Datum (-C-) and seating plane are defined by the spherical crowns of the solder balls.

6.2.1. 82840 RSL Normalized Trace Length Data

Expansion Channel A

ΔL_{PKG} Normalized to CHA_DQA8

Signal	Ball	ΔL_{PKG} (mils)
CHA_CFM	L1	102.756
CHA_CFM#	L2	118.897
CHA_CTM	M2	130.315
CHA_CTM#	M1	117.716
CHA_DQA0	K1	93.701
CHA_DQA1	K3	162.204
CHA_DQA2	J1	40.551
CHA_DQA3	J3	137.008
CHA_DQA4	J2	87.795
CHA_DQA5	H3	115.748
CHA_DQA6	H1	61.811
CHA_DQA7	G3	99.212
CHA_DQA8	G1	0.000
CHA_DQB0	U3	143.307
CHA_DQB1	U1	122.441
CHA_DQB2	V3	164.173
CHA_DQB3	V1	111.417
CHA_DQB4	W3	151.181
CHA_DQB5	W1	68.504
CHA_DQB6	V2	106.693
CHA_DQB7	Y1	40.157
CHA_DQB8	Y3	134.252
CHA_EXP0	P3	192.519
CHA_EXP1	P2	129.921
CHA_RQ0	T3	185.433
CHA_RQ1	T2	131.496
CHA_RQ2	T1	126.378
CHA_RQ3	R3	189.370
CHA_RQ4	R1	85.039
CHA_RQ5	P1	78.740
CHA_RQ6	N1	124.409
CHA_RQ7	N3	175.984

Expansion Channel B

ΔL_{PKG} Normalized to CHB_DQB7

Signal	Ball	ΔL_{PKG} (mils)
CHB_CFM	AF11	103.543
CHB_CFM#	AE11	110.630
CHB_CTM	AE12	109.842
CHB_CTM#	AF12	110.236
CHB_DQA0	AF10	101.968
CHB_DQA1	AD10	150.393
CHB_DQA2	AF9	81.102
CHB_DQA3	AD9	137.401
CHB_DQA4	AE9	115.354
CHB_DQA5	AD8	120.079
CHB_DQA6	AF8	48.425
CHB_DQA7	AD7	109.055
CHB_DQA8	AF7	29.921
CHB_DQB0	AD17	130.708
CHB_DQB1	AF17	72.441
CHB_DQB2	AD18	120.079
CHB_DQB3	AF18	69.291
CHB_DQB4	AD19	142.126
CHB_DQB5	AF19	34.252
CHB_DQB6	AE18	111.417
CHB_DQB7	AF20	0.000
CHB_DQB8	AD20	70.472
CHB_EXP0	AD14	160.236
CHB_EXP1	AE14	161.811
CHB_RQ0	AD16	152.362
CHB_RQ1	AE16	93.307
CHB_RQ2	AF16	98.425
CHB_RQ3	AD15	157.480
CHB_RQ4	AF15	106.693
CHB_RQ5	AF14	101.968
CHB_RQ6	AF13	112.205
CHB_RQ7	AD13	161.811

These lengths must be considered when matching trace lengths as described in the *Intel® 840 Chipset Design Guide*. Note that these lengths are normalized to 0 with the longest trace on the package. They do not represent the actual lengths from pad to ball. The following formula is used to determine ΔL_{PCB}

$$\Delta L_{PCB} = (\Delta L_{pkg} * V_{pkg}) / V_{PCB}$$

Where:

ΔL_{PCB} is the nominal Δ PCB trace length to be added on the PCB

ΔL_{pkg} is the nominal Δ package trace length.

V_{pkg} is the package trace velocity, and the nominal value is 180 ps/in

V_{PCB} is the PCB trace velocity

The data given can be renormalized to start routing from a different ball. If a different RSL signal (other than longest trace) is used for nominalization, simply use the following equation:

$$\text{New } \Delta L_{pkg}' = \Delta L_{pkg} - \Delta L_{RSL}$$

For example: For the MCH, if MCH CHA_CFM trace length is used for nominalization, then:

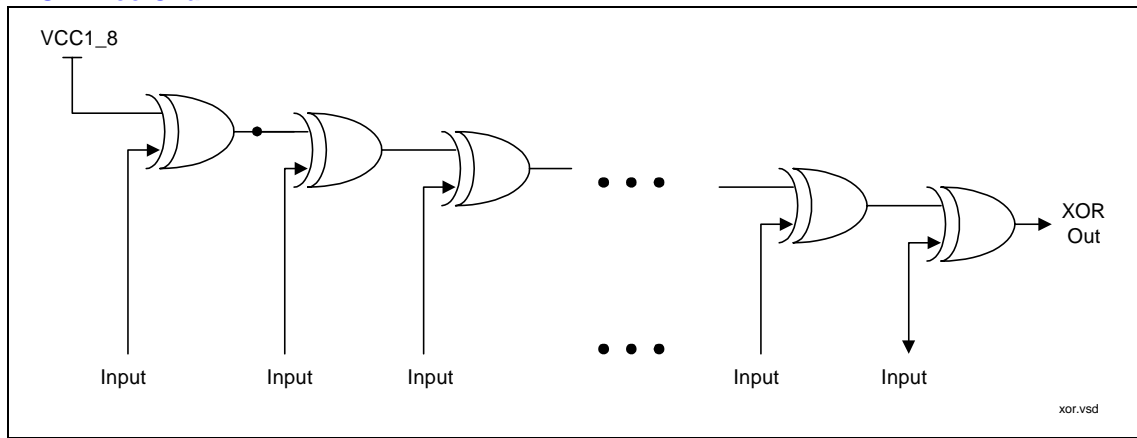
Signal	ΔL_{PKG} (mils)	New ΔL_{PKG} (mils)
CHA_CFM	102.756	0.000
CHA_CFM#	118.897	16.142
CHA_CTM	130.315	27.559
:	:	:
:	:	:
CHA_RQ6	124.409	21.653
CHA_RQ7	175.984	73.228

This page is intentionally left blank.

7. Testability

In the MCH, the testability for Automated Test Equipment (ATE) board level testing has been changed from traditional NAND chain to the new XOR chain. An XOR-Tree is a chain of XOR gates, each with one Input pin connected to it as shown in Figure 15. The first XOR gate should have one pin connected to VCC1_8.

Figure 15. XOR-Tree Chain



The algorithm used for in-circuit test is as follows:

- Drive “0” onto all Input pins. This, along with the first XOR gate having one input connected to VCC1_8 and the Outputs being non-inverting, consistently produces a “1” at “XOR out”, regardless of how many XOR gates are in the chain.
- Drive each Input pin one at a time, first to a “1” and then back to a “0”. This causes “XOR out” first to produce a “0” and then a “1”.
- The Output pins can now be checked by driving a “0” onto the Pin of the XOR gate that has its second input to the XOR gate connected to GND and then back to a “1”. The Output pins will go to a “0” and then back to a “1”.

The above algorithm is for all pins properly soldered to the board under test and no pins connected to a power plane. If there is an even number of total signal pins connected to a power plane or unsoldered and floating to a “1” logic level, then the following would happen:

- Drive “0” onto all other Input and Bi-directional pins. “XOR out” would start out at a “1” level instead of a “0”.
- Drive each Input or Bi-directional pin, one at a time, first to a “1” and then back to a “0.” This causes “XOR out” first to produce a “0” and then a “1”.

A flexible test model used for in-circuit test will need to determine if “XOR out” initially is a “0” or “1” level. One at a time, each Input or Bi-directional pin is driven to “1” and then back to a “0.” The “XOR out” will first toggle to the opposite state that was initially determined and then toggle back to the initially determined state. Any unsoldered pin will cause “XOR out” not to toggle.

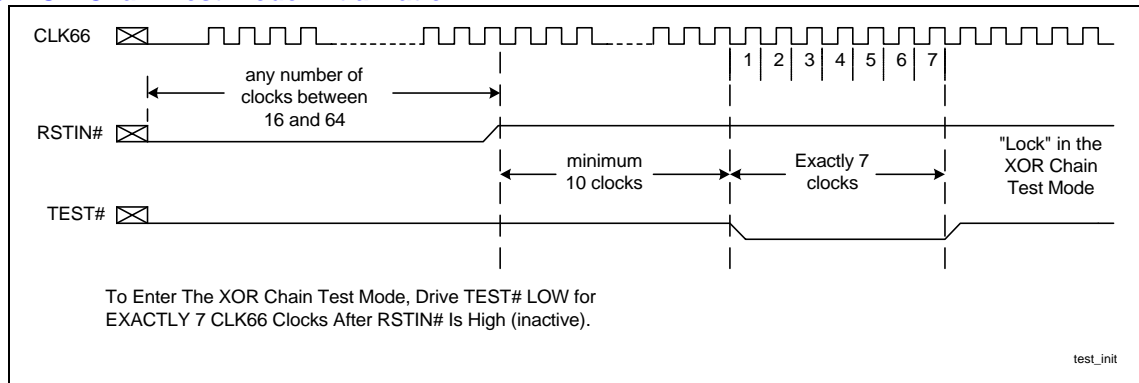
7.1. Initialization Sequence

Two pins are used to enter the XOR chain test mode as shown in the Figure 16.

XOR Chain Test Mode Entering Rules:

- TEST# should be driven “Low” for exactly 7 clocks after “RSTIN#” goes “High” (inactive).
- Once TEST# is driven “Low” for exactly 7 clocks and then “High”, it will “LOCK” in the XOR chain test mode.
- TEST# should never be driven in the “Low” state other than driven “Low” for 7 clocks to enter the XOR chain test mode. If TEST# goes “Low” for a moment because of a glitch, the MCH needs to be “reset” for going to normal operation or entering the XOR chain test mode again.

Figure 16. XOR Chain Test Mode Initialization



7.2. XOR Chains

Table 30. XOR Chain #0 Connections

Name	Ball	Chain Element #	Note
GC/BE1#	D5	1	Input
GSERR#	F6	2	
GAD_15	E5	3	
GC/BE0#	B3	4	
GAD_11	D4	5	
GAD_14	F5	6	
GAD_7	B2	7	
GAD_10	E4	8	
GAD_13	G5	9	
GAD_6	C2	10	
ADSTB0	D3	11	
GAD_2	C1	12	
GAD_5	E2	13	
GAD_1	D1	14	
GAD_4	F2	15	
GAD_0	E1	16	
GAD_9	F4	17	
GAD_8	A3	18	
GAD_12	B4	19	
GAD_3	B1	20	
CHA_SIO	AB2	21	
CHA_CMD	AA4	22	
CHA_SCK	AA5	23	
HCLKOUTA	AB3	24	
RCLKOUTA	AB1	25	
HLA11	AC3	26	
HLA8	AD1	27	
HLA3	AC1	28	
HLA0	AB4	29	
HLA6	AE1	30	
HLA2	AC4	31	
HLASTB	AD3	32	
HLASTB#	AD2	33	
HLA7	AF1	34	
HLA1	AC5	35	
HLA5	AF2	36	

Table 30. XOR Chain #0 Connections

Name	Ball	Chain Element #	Note
HLA4	AE4	37	
HLA10	AE3	38	
HLAZCOMP	AF4	39	
HLA9	AE5	40	
TEST#	AC6	41	
OVERT#	AA6	42	
HCLKOUTB	AD5	43	
RCLKOUTB	AF5	44	Output

Table 31. XOR Chain #1 Connections

Name	Ball	Chain Element #	Note
ADSTB0#	E3	1	Input
CHB_SCK	AB21	2	
CHB_CMD	AC21	3	
CHB_SIO	AE22	4	
RS1#	AF23	5	
DBSY#	AD22	6	
BREQ0#	AF24	7	
RSP#	AE24	8	
AP0#	AF25	9	
RS0#	AD23	10	
RP#	AD26	11	
ADS#	AE26	12	
HIT#	AD24	13	
HREQ3#	AC23	14	
RS2#	AD25	15	
DRDY#	AC24	16	
DEFER#	AB22	17	
HITM#	AC26	18	
HREQ1#	AB23	19	
BNR#	AA21	20	
HREQ4#	AB24	21	
BPRI#	AA22	22	
AP1#	AF26	23	Output

Table 32. XOR Chain #2 Connections

Name	Ball	Chain Element #	Note
HA3#	AA23	1	Input
HLOCK#	AB25	2	
HA6#	AA24	3	
HREQ2#	AB26	4	
HA4#	Y23	5	
HREQ0#	AA25	6	
HA8#	Y24	7	
HTRDY#	AA26	8	
HA5#	W23	9	
HA17#	W24	10	
HA11#	W25	11	
HA7#	Y26	12	
HA13#	V23	13	
HA21#	V24	14	
HA12#	W26	15	
HA9#	Y21	16	
HA14#	W21	17	
HA25#	V25	18	
HA19#	U23	19	
HA10#	W22	20	
HA15#	V26	21	
HA18#	V21	22	
HA28#	U24	23	
HA20#	U26	24	
HA22#	T23	25	
HA16#	V22	26	
HA26#	T25	27	
HA29#	T24	28	
HA24#	T26	29	
HD0#	R23	30	
HD2#	P24	31	
CPURST#	R24	32	
HA23#	U21	33	
HA35#	R25	34	
HA32#	R26	35	
HA31#	T21	36	
HA33#	P26	37	
HD4#	P23	38	
HD1#	N26	39	

Table 32. XOR Chain #2 Connections

Name	Ball	Chain Element #	Note
HA27#	T22	40	
HD6#	N25	41	
HD7#	N24	42	
HD12#	N23	43	
HA34#	R21	44	
HA30#	R22	45	
HD8#	M26	46	
HD19#	L23	47	
HD15#	M25	48	
HD17#	M24	49	
BERR#	P21	50	
HD10#	L26	51	
HD20#	M23	52	
HD3#	N22	53	
HD13#	K26	54	
HD18#	L24	55	
HD5#	N21	56	
HD22#	K25	57	
HD23#	J26	58	
SBSTB	D12	59	
ADSTB1	C9	60	Output

Table 33. XOR Chain #3 Connections

Name	Ball	Chain Element #	Note
HD25#	K24	1	Input
HD9#	M22	2	
HD29#	J25	3	
HD30#	H26	4	
HD14#	M21	5	
HD26#	K23	6	
HD28#	J24	7	
HD11#	L21	8	
HD35#	G26	9	
HD40#	G25	10	
HD43#	F26	11	
HD47#	F25	12	
HD16#	K22	13	
HD21#	K21	14	

Table 33. XOR Chain #3 Connections

Name	Ball	Chain Element #	Note
HD41#	F24	15	
HD32#	J23	16	
HD24#	J22	17	
HD27#	J21	18	
HD38#	H24	19	
HD36#	G24	20	
HD42#	E26	21	
HD34#	H23	22	
HD46#	D26	23	
HD54#	D25	24	
HD31#	H21	25	
HD48#	E24	26	
HD50#	D24	27	
HD44#	G23	28	
HD55#	C26	29	
HD59#	E23	30	
HD56#	D23	31	
HD63#	C25	32	
HD33#	G22	33	
HD37#	G21	34	
HD58#	C24	35	
DEP5#	B26	36	
HD52#	F22	37	
HD62#	C23	38	
HD51#	E22	39	
DEP7#	B24	40	
DEP0#	A26	41	
DEP4#	A25	42	
DEP2#	A24	43	
HD39#	F21	44	
HD57#	D22	45	
DEP3#	B23	46	
HD45#	F20	47	
HD53#	D21	48	
HD61#	C21	49	
HD49#	E20	50	
DEP1#	B21	51	
HD60#	D20	52	
DEP6#	C20	53	
IERR#	A20	54	Output

Table 34. XOR Chain #4 Connections

Name	Ball	Chain Element #	Note
HLBZCOMP	A19	1	Input
HLB15	F19	2	
HLB14	D19	3	
HLB13	C19	4	
HLB12	F18	5	
HLBSTB1	E18	6	
HLBSTB1#	D18	7	
HLB11	C18	8	
HLB10	B18	9	
HLB9	A18	10	
HLB8	F17	11	
HLB16	D17	12	
HLB19	C17	13	
HLB17	A17	14	
HLB18	F16	15	
HLB7	E16	16	
HLB6	D16	17	
HLB5	C16	18	
HLB4	B16	19	
HLBSTB0	A16	20	
HLBSTB0#	A15	21	
HLB3	F15	22	
HLB2	D15	23	
HLB1	C15	24	
HLB0	F14	25	
GREQ#	A14	26	
GGNT#	B14	27	
ST_0	C14	28	
ST_1	D14	29	
ST_2	E14	30	
RBF#	A13	31	
PIPE#	B13	32	
WBF#	D13	33	
SBSTB#	C11	34	
GAD_30	A10	35	
GAD_25	A9	36	
GAD_29	C10	37	
GAD_24	B9	38	
GC/BE3#	A8	39	

Table 34. XOR Chain #4 Connections

Name	Ball	Chain Element #	Note
GAD_28	D10	40	
GAD_21	B8	41	
GAD_31	F11	42	
GAD_27	E10	43	
ADSTB1#	D9	44	
GAD_17	A7	45	
GAD_26	F10	46	
GAD_22	D8	47	
GAD_18	C7	48	
GC/BE2#	D7	49	
GAD_19	E8	50	
GAD_23	F9	51	
GAD_16	E7	52	
GAD_20	F8	53	
GFRAME#	A6	54	
GDEVSEL#	B6	55	
GPAR	C5	56	
GTRDY#	C6	57	
GSTOP#	D6	58	
GIRDY#	F7	59	Output

Table 35. XOR Chain #5 Connections

Name	Ball	Chain Element #	Note
CHA_DQA8	G1	1	Input
CHA_DQA7	G3	2	
CHA_DQA6	H1	3	
CHA_DQA5	H3	4	
CHA_DQA4	J2	5	
CHA_DQA3	J3	6	
CHA_DQA2	J1	7	
CHA_DQA1	K3	8	
CHA_DQA0	K1	9	
CHA_CFM	L1	10	
CHA_CFM#	L2	11	
CHA_EXP0	P3	12	
CHA_EXP1	P2	13	
CHA_RQ7	N3	14	
CHA_RQ6	N1	15	

Table 35. XOR Chain #5 Connections

Name	Ball	Chain Element #	Note
CHA_RQ5	P1	16	
CHA_RQ4	R1	17	
CHA_RQ3	R3	18	
CHA_RQ2	T1	19	
CHA_RQ1	T2	20	
CHA_RQ0	T3	21	
CHA_DQB0	U3	22	
CHA_DQB1	U1	23	
CHA_DQB2	V3	24	
CHA_DQB3	V1	25	
CHA_DQB4	W3	26	
CHA_DQB5	W1	27	
CHA_DQB6	V2	28	
CHA_DQB7	Y1	29	
CHA_DQB8	Y3	30	
SBA_5	B11	31	Output

Table 36. XOR Chain #6 Connections

Name	Ball	Chain Element #	Note
CHB_DQA8	AF7	1	Input
CHB_DQA7	AD7	2	
CHB_DQA6	AF8	3	
CHB_DQA5	AD8	4	
CHB_DQA4	AE9	5	
CHB_DQA3	AD9	6	
CHB_DQA2	AF9	7	
CHB_DQA1	AD10	8	
CHB_DQA0	AF10	9	
CHB_CFM	AF11	10	
CHB_CFM#	AE11	11	
CHB_EXP0	AD14	12	
CHB_EXP1	AE14	13	
CHB_RQ7	AD13	14	
CHB_RQ6	AF13	15	
CHB_RQ5	AF14	16	
CHB_RQ4	AF15	17	
CHB_RQ3	AD15	18	
CHB_RQ2	AF16	19	

Table 36. XOR Chain #6 Connections

Name	Ball	Chain Element #	Note
CHB_RQ1	AE16	20	
CHB_RQ0	AD16	21	
CHB_DQB0	AD17	22	
CHB_DQB1	AF17	23	
CHB_DQB2	AD18	24	
CHB_DQB3	AF18	25	
CHB_DQB4	AD19	26	
CHB_DQB5	AF19	27	
CHB_DQB6	AE18	28	
CHB_DQB7	AF20	29	
CHB_DQB8	AD20	30	
SBA_7	E11	31	Output

Intel around the world

United States and Canada

Intel Corporation
Robert Noyce Building
2200 Mission College Boulevard
P.O. Box 58119
Santa Clara, CA 95052-8119
USA
Phone: (800) 628-8686

Europe

Intel Corporation (U.K.) Ltd.
Pipers Way
Swindon
Wiltshire SN3 1RJ
UK

Phone:

England	(44) 1793 403 000
Germany	(49) 89 99143 0
France	(33) 1 4571 7171
Italy	(39) 2 575 441
Israel	(972) 2 589 7111
Netherlands	(31) 10 286 6111
Sweden	(46) 8 705 5600

Asia Pacific

Intel Semiconductor Ltd.
32/F Two Pacific Place
88 Queensway, Central
Hong Kong, SAR
Phone: (852) 2844 4555

Japan

Intel Kabushiki Kaisha
P.O. Box 115 Tsukuba-gakuen
5-6 Tokodai, Tsukuba-shi
Ibaraki-ken 305
Japan
Phone: (81) 298 47 8522

South America

Intel Semicondutores do Brazil
Rua Florida 1703-2 and CJ22
CEP 04565-001 Sao Paulo-SP
Brazil
Phone: (55) 11 5505 2296

For More Information

To learn more about Intel Corporation, visit our site
on the World Wide Web at www.intel.com

