

4

3

2

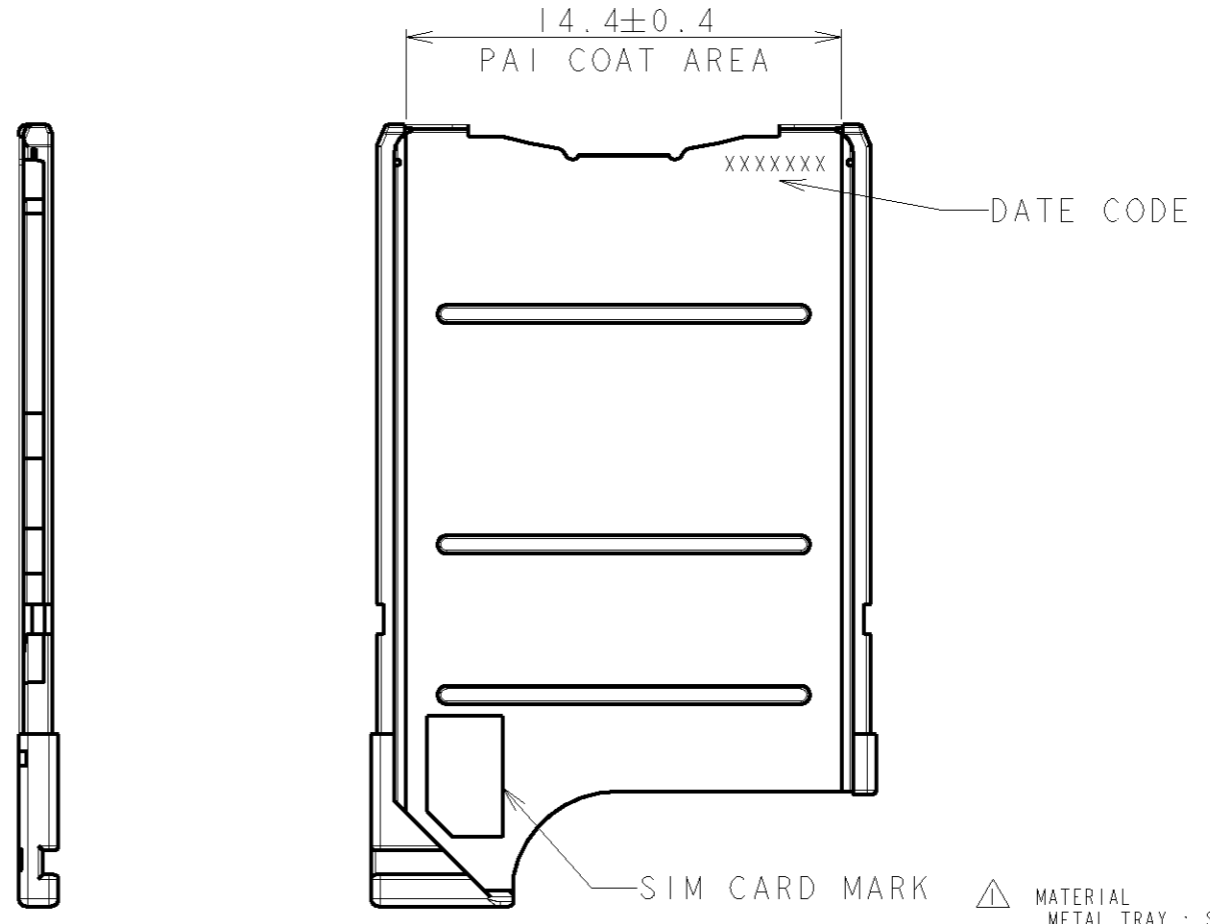
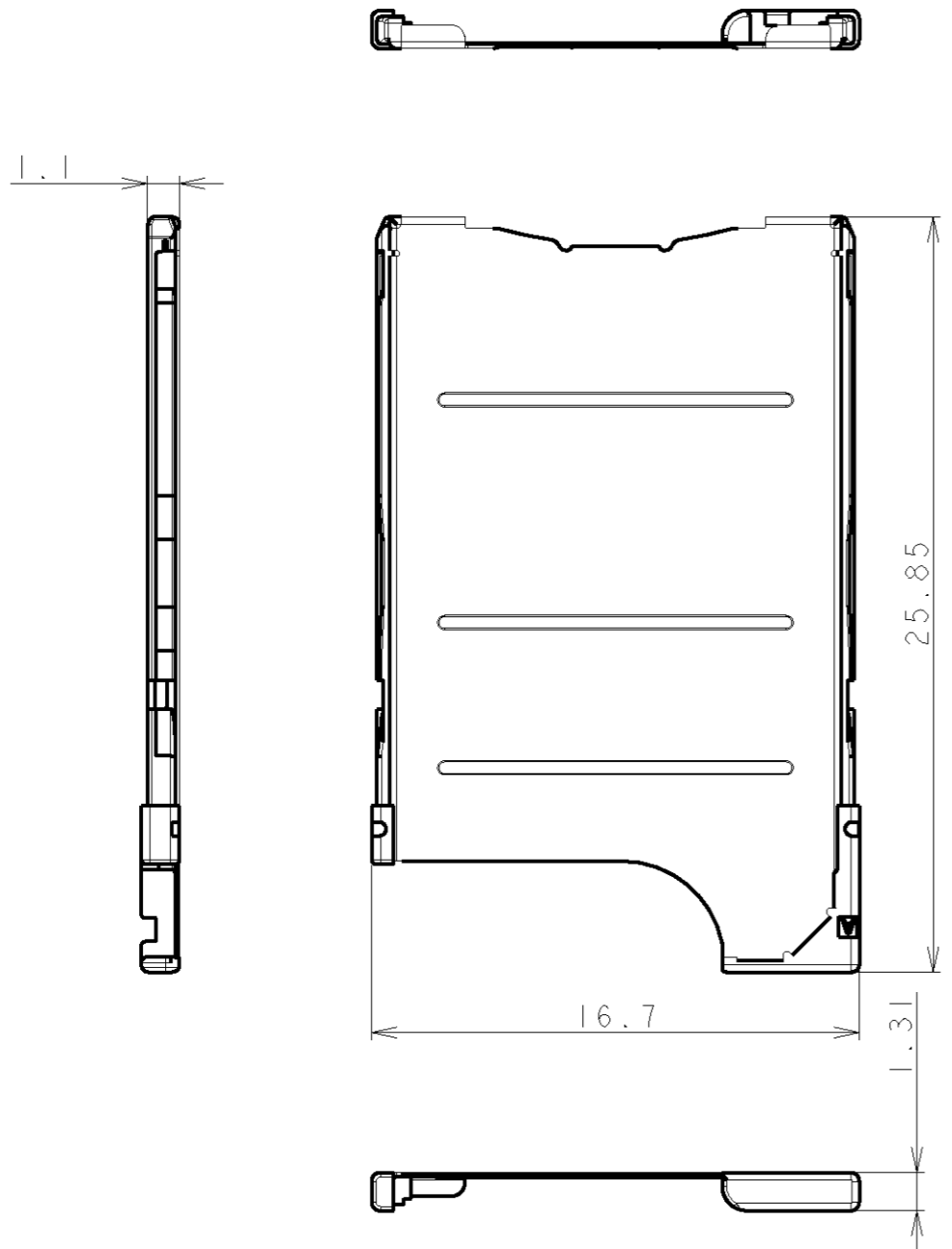
1

THIS DRAWING IS UNPUBLISHED. RELEASED FOR PUBLICATION 20
 © COPYRIGHT 20 BY TYCO ELECTRONICS CORPORATION. ALL RIGHTS RESERVED.

LOC	DIST	REVISIONS					
		P	LTR	DESCRIPTION	DATE	DWN	APVD
J		A		RELEASED	17JUN2010	C.O	Y.N

本図面に記載された内容はタイコ エレクトロニクス アンプ(株)の所有する情報を開示しております。
 無断で複写・配布する事を禁じます。特許出願中

AS SHOWN : - 1



- △ MATERIAL
 METAL TRAY : STAINLESS
 HOUSING : HIGH TEMPERATURE THERMO PLASTIC
 UL94V-0 BLACK
- △ FINISH
 ELEMENT : GROUND POINT: 0.05umMIN. Au
 ALL OVER NICKEL PLATE 0.13umMIN.
 ADD SEALING
- 3 TRAY PACKING

THIS DRAWING IS A CONTROLLED DOCUMENT FOR TYCO ELECTRONICS CORPORATION IT IS SUBJECT TO CHANGE AND THE CONTROLLING ENGINEERING ORGANIZATION SHOULD BE CONTACTED FOR THE LATEST REVISION.		DWN C.OHASHI 17JUN2010	Tyco Electronics Corporation Kawasaki, Japan			
DIMENSIONS: 単位: 概 mm	TOLERANCES UNLESS OTHERWISE SPECIFIED: 一般公差 ±0.15 0-PLC ± 1-PLC ± 2-PLC ± 3-PLC ± 4-PLC ± ANGLES ±3°	CHK Y.NAKAZAWA 17JUN2010	NAME 名称 TS14-RVS DOUBLE CONTACT METAL TRAY			
		APVD Y.NAKAZAWA 17JUN2010				
MATERIAL 材料 SEE NOTE △	FINISH 仕上 SEE NOTE △	PRODUCT SPEC 製品規格 108-78668	SIZE A3	CAGE CODE 00779	DRAWING NO 番号 C=2134033	RESTRICTED TO -
		WEIGHT 0.51g	SCALE 尺度 X:1		SHEET 1 OF 2	REV A
CUSTOMER DRAWING						

4

3

2

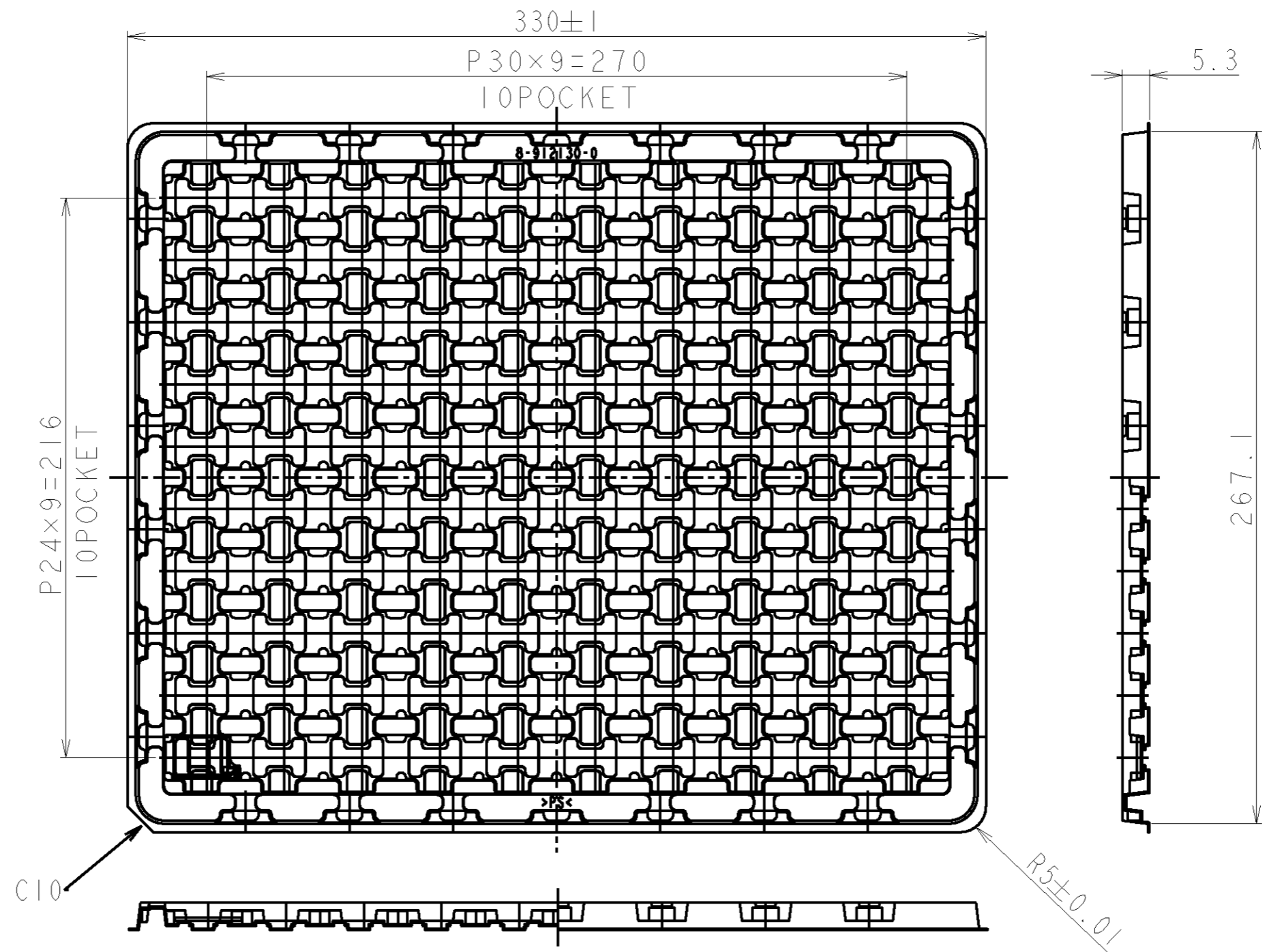
1

THIS DRAWING IS UNPUBLISHED. RELEASED FOR PUBLICATION 20

© COPYRIGHT 20 BY TYCO ELECTRONICS CORPORATION. ALL RIGHTS RESERVED.

LOC	DIST	REVISIONS			
P	LTR	DESCRIPTION	DATE	DWN	APVD
J		SEE SHEET 1	-	-	-

100PCS/TRAY



<small>THIS DRAWING IS A CONTROLLED DOCUMENT FOR TYCO ELECTRONICS CORPORATION IT IS SUBJECT TO CHANGE AND THE CONTROLLING ENGINEERING ORGANIZATION SHOULD BE CONTACTED FOR THE LATEST REVISION.</small>		Tyco Electronics Tyco Electronics Corporation Kawasaki, Japan	
DIMENSIONS: mm 		NAME TS14-RVS DOUBLE CONTACT METAL TRAY	
TOLERANCES UNLESS OTHERWISE SPECIFIED: 0 PLC ± 1 PLC ± 2 PLC ± 3 PLC ± 4 PLC ± ANGLES ±3°		PRODUCT SPEC APPLICATION SPEC RESTRICTED TO -	
MATERIAL FINISH		WEIGHT A300779 C=2134033	
CUSTOMER DRAWING		SCALE X:1 SHEET 2 OF 2 REV A	