

THIS COPY IS PROVIDED ON A RESTRICTED BASIS AND IS NOT TO BE USED IN ANY WAY DETRIMENTAL TO THE INTERESTS OF PANDUIT CORP.

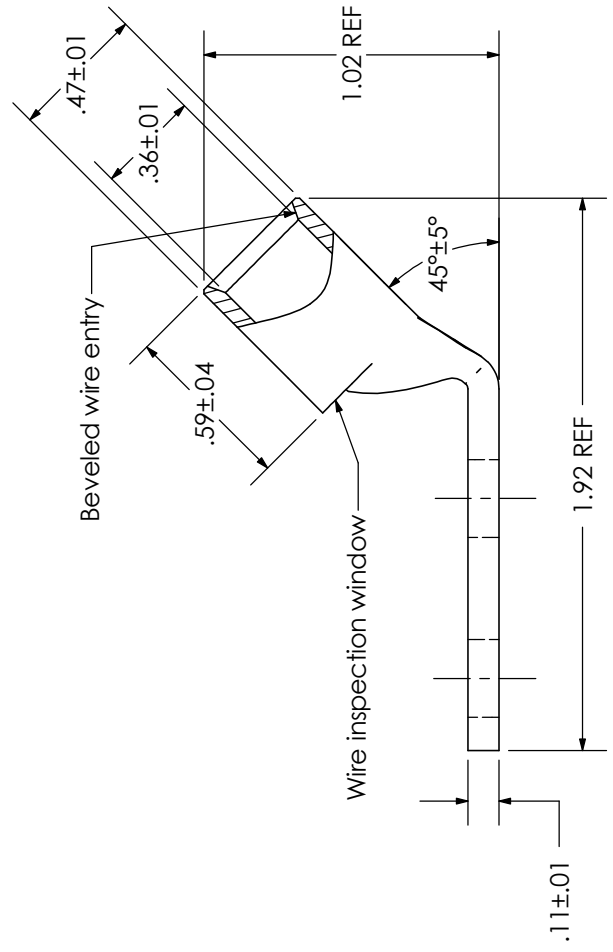
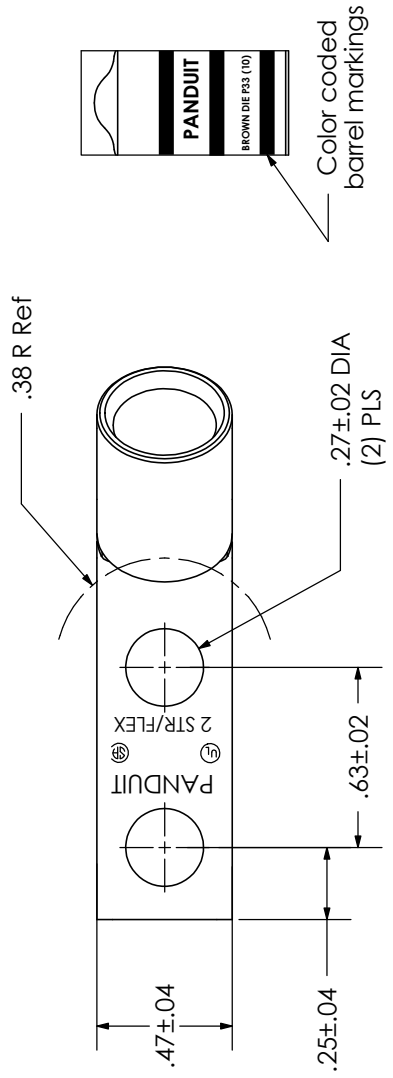
Material	High Conductivity Seamless Copper Tube
Plating	Electro-Tin
Wire Size	2 STR/FLEX
Wire Type	Stranded Copper: Class B & C, Compact, Class G, H, I, K, M, Locomotive
Wire Strip Length	11/16 in.
Stud Size	1/4 in.
UL Listed Wire Connector	Yes, for applications up to 35kv. Consult cable manufacturer for voltage stress relief instructions with applications greater than 2000 volts.
UL Temperature Rating	90 ° C
C.S.A Certified Wire Connector	Yes
Panduit Color Code on Barrel	BROWN
Panduit Die Index No. on Barrel	P33
Alternate Industry Die Index No. () on Barrel	(10)



LISTED
Wire Connector



CERTIFIED



		PANDUIT CORP. TINLEY PARK, ILLINOIS	
		LCDXN2-14AH-E Copper Lug - Two-Hole Narrow Tongue, Standard Flex Barrel, 45° Angle Tongue	
01	1/10	JHNUJHNU	REVISED TONGUE STAMP
REV	DATE	BY	DESCRIPTION
		CHK	
		N/A	
		SCALE	DRAWING NO / CAD FILE
		ECN	LCDXN2-14AH-CUST