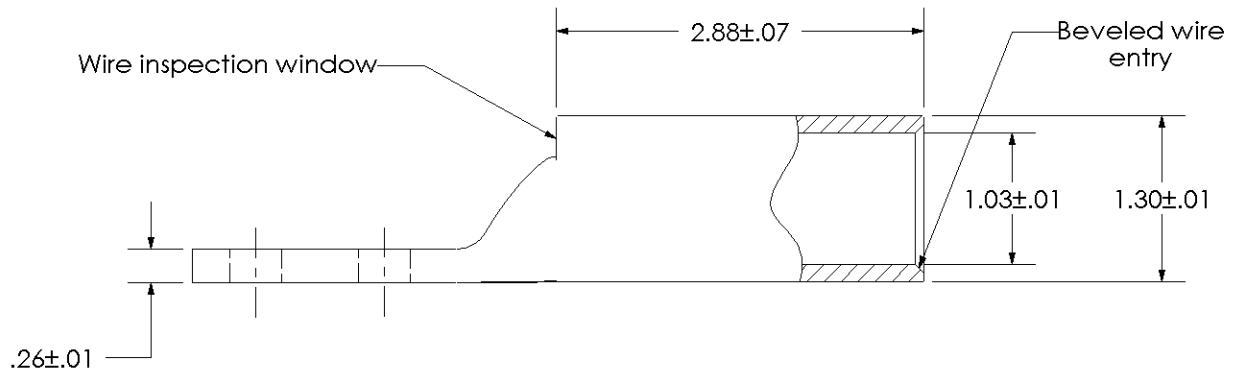
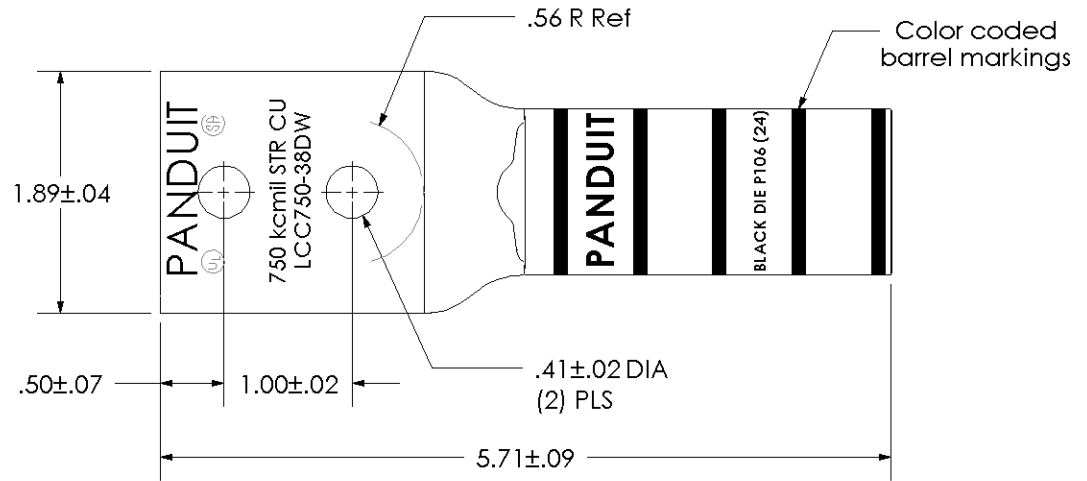


THIS COPY IS PROVIDED ON A RESTRICTED BASIS AND IS NOT TO BE USED IN ANY WAY DETRIMENTAL TO THE INTERESTS OF PANDUIT CORP.

|  |  |
|--|--|
| Material                                       | High Conductivity Seamless Copper Tube   |
| Plating  | Electro-Tin  |
| Wire Size                                      | 750 kcmil  |
| Wire Type                                      | Stranded Copper; Class B: Compact, Compressed or Concentric, Class C: Concentric   |
| Wire Strip Length                              | 2-15/16 in.  |
| Stud Size                                      | 3/8 in.  |
| UL Listed Wire Connector                       | Yes, for applications up to 35kv. Consult cable manufacturer for voltage stress relief instructions with applications greater than 2000 volts. |
| UL Temperature Rating                          | 90° C  |
| C.S.A Certified Wire Connector                 | Yes  |
| Panduit Color Code on Barrel                   | BLACK  |
| Panduit Die Index No. on Barrel                | P106   |
| Alternate Industry Die Index No. ( ) on Barrel | (24)   |



|     |      |     |     |             |       |
|-----|------|-----|-----|-------------|-------|
| 00  | 9/02 | SAB | DRL | RELEASED    | 10340 |
| REV | DATE | BY  | CHK | DESCRIPTION | ECN   |

**PANDUIT CORP. TINLEY PARK, ILLINOIS**

LCC750-38DW-6  
Copper Lug - Two-Hole, Long Barrel with Window

SCALE N/A DRAWING NO / CAD FILE LCC750-38DW-CUST