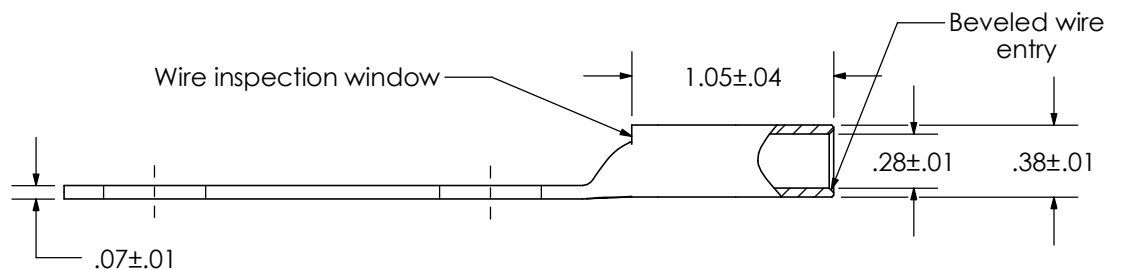
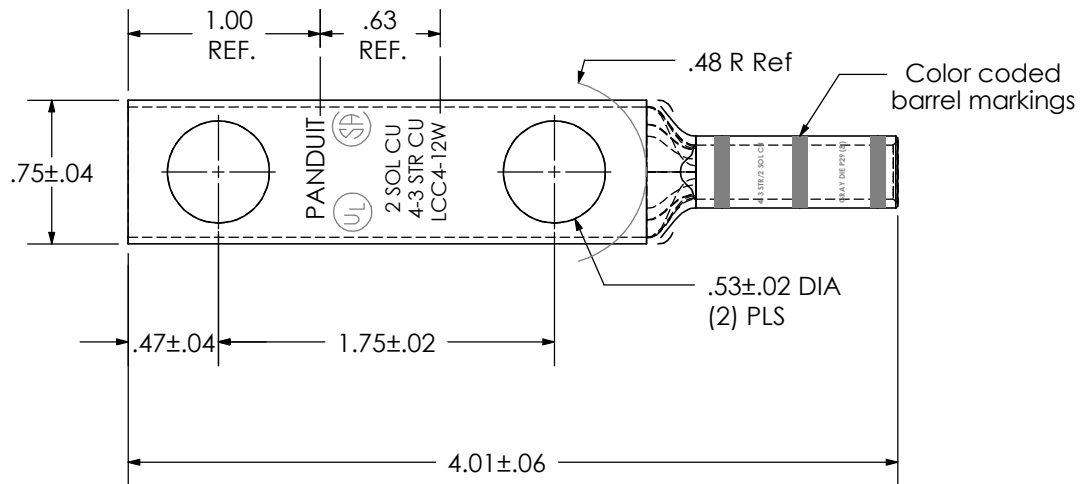


THIS COPY IS PROVIDED ON A RESTRICTED BASIS AND IS NOT TO BE USED IN ANY WAY DETRIMENTAL TO THE INTERESTS OF PANDUIT CORP.

Material	High Conductivity Seamless Copper Tube
Plating	Electro-Tin
Wire Size	4 AWG, 3 AWG & 2 SOL
Wire Type	Stranded Copper; Class B: Compact, Compressed or Concentric, Class C: Concentric
Wire Strip Length	1-1/8 in.
Stud Size	1/2 in.
UL Listed Wire Connector	Yes, for applications up to 35kv. Consult cable manufacturer for voltage stress relief instructions with applications greater than 2000 volts.
UL Temperature Rating	90° C
C.S.A Certified Wire Connector	Yes
Panduit Color Code on Barrel	GRAY
Panduit Die Index No. on Barrel	P29
Alternate Industry Die Index No. ( ) on Barrel	(8)



02	10/09	JESH	JESH	DIMENSIONS 4.01" +/--.06" WAS 3.98" +/--.06", .47" +/--.04" WAS .50" +/--.04"	
01	12/07	JESH	JESH	MOVED TEXT LOCATION TO CENTER OF PART ADDED DIMENSION 1.00" REF., .63" REF.	
00	6/07	JHNU	LEM	RELEASED	
REV	DATE	BY	CHK	DESCRIPTION	ECN

**PANDUIT CORP. TINLEY PARK, ILLINOIS**

LCC4-12W-L  
Copper Lug - Two-Hole, Long Barrel with Window

SCALE N/A

DRAWING NO / CAD FILE

LCC4-12W-CUST