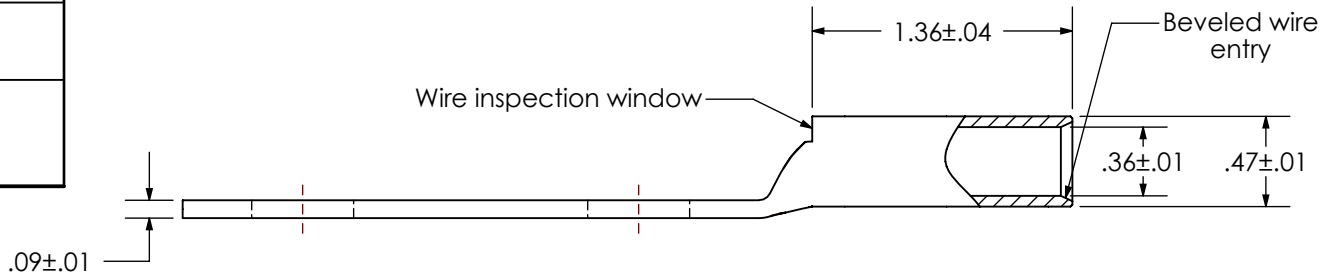
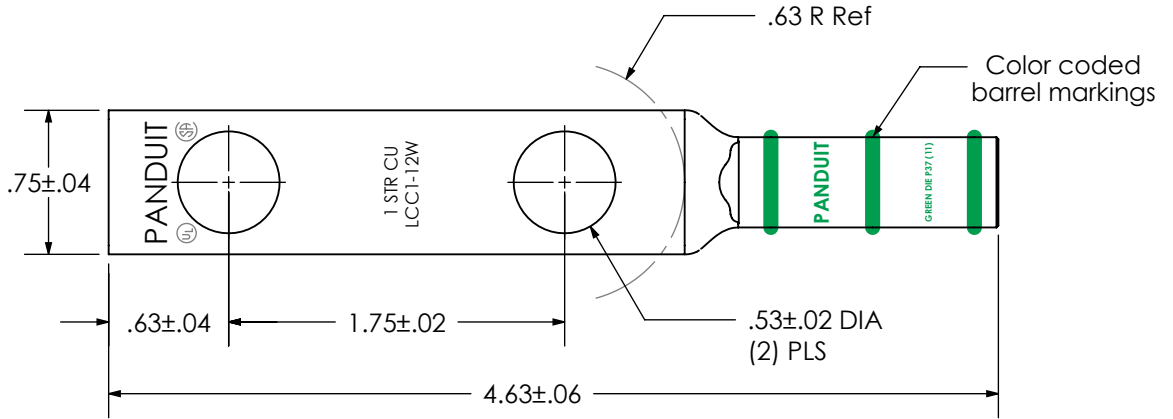


THIS COPY IS PROVIDED ON A RESTRICTED BASIS AND IS NOT TO BE USED IN ANY WAY DETRIMENTAL TO THE INTERESTS OF PANDUIT CORP.

|  |  |
|--|--|
| Material                                       | High Conductivity Seamless Copper Tube   |
| Plating  | Electro-Tin  |
| Wire Size                                      | 1 AWG  |
| Wire Type                                      | Stranded Copper; Class B: Compact, Compressed or Concentric, Class C: Concentric   |
| Wire Strip Length                              | 1-7/16 in.   |
| Stud Size                                      | 1/2 in.  |
| UL Listed Wire Connector                       | Yes, for applications up to 35kv. Consult cable manufacturer for voltage stress relief instructions with applications greater than 2000 volts. |
| UL Temperature Rating                          | 90° C  |
| C.S.A Certified Wire Connector                 | Yes  |
| Panduit Color Code on Barrel                   | GREEN  |
| Panduit Die Index No. on Barrel                | P37  |
| Alternate Industry Die Index No. ( ) on Barrel | (11)   |



| REV | DATE | BY   | CHK  | DESCRIPTION         | ECN                    | -R  | SUP | SCALE | DRAWING NO / CAD FILE |
|-----|------|------|------|---------------------|------------------------|-----|-----|-------|-----------------------|
| 02  | 8/12 | JHNU | JHNU | REMOVED NAVY NUMBER | N10883TZ-LCC1-12W-CUST | RGB | RGB | N/A   | LCC1-12W-CUST         |

**PANDUIT CORP. TINLEY PARK, ILLINOIS**

LCC1-12W-E  
Copper Lug - Two-Hole, Long Barrel with Window