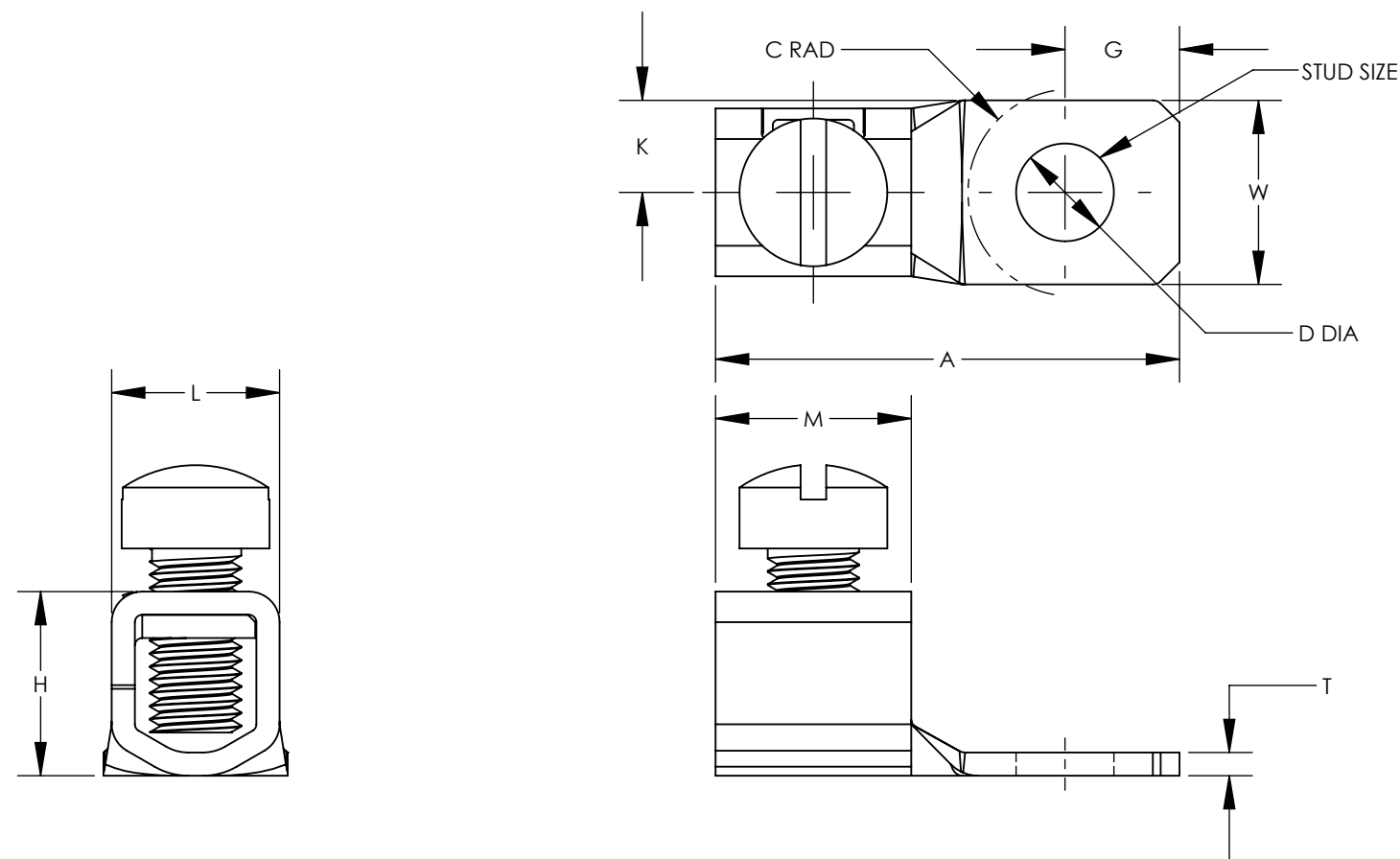


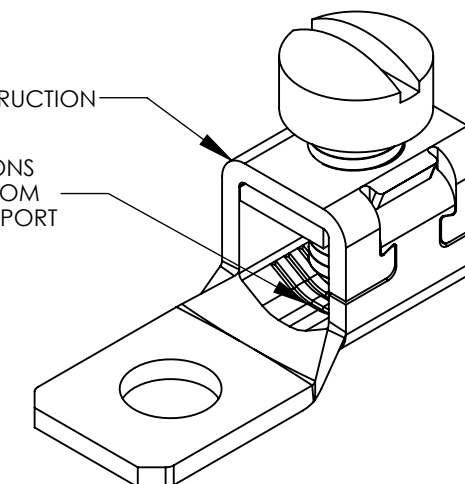
NOTES:

1. MATERIAL:
BODY - COPPER: "T" IN PART NUMBER DENOTES TIN PLATED BODY
SCREW - STEEL, ZINC PLATED
2. cULus LISTED FOR USE UP TO 600V AND TEMPERATURE RATED 90°C
3. RATED FOR USE WITH COPPER STRANDED CODE CONDUCTOR ONLY
4. THESE PARTS ARE RoHS COMPLIANT
5. PKG. QY.:
C = 100
D = 500
Q = 25



ONE PIECE BODY CONSTRUCTION

SERRATIONS ON BOTTOM OF WIRE PORT



PANDUIT PART NUMBER	STRANDED COPPER WIRE RANGE	SCREW TORQUE IN-LB [N.m]	STUD SIZE (IN)	DIMENSIONS - IN [mm] +/- .02 [.5]										SCREW STYLE
				D DIA	G	W	K	A	M	T	H	L	C (MAX.)	
CXS35-36-C CXS35-36T-C	14 AWG - 6 AWG	14 AWG = 8 IN-LB [.9] 12 AWG - 10 AWG = 10 IN-LB [1.1] 8 AWG - 6 AWG = 12 IN-LB [1.4]	3/16"	0.21 [5.3]	0.25 [6.4]	0.38 [9.7]	0.19 [4.8]	1.08 [27.4]	0.47 [12.0]	0.05 [1.3]	0.39 [9.9]	0.33 [8.5]	0.24 [6.1]	SLOTTED FILLISTER HEAD
CXS70-14-C CXS70-14T-C	14 AWG - 4 AWG	* (2) 14 AWG TWISTED = 15 IN-LB [1.7] * (2) 12 AWG TWISTED = 20 IN-LB [2.3] 14 AWG - 10 AWG = 20 IN-LB [1.7] 8 AWG - 4 AWG = 25 IN-LB [2.8]	1/4"	0.27 [6.8]	0.31 [7.9]	0.50 [12.7]	0.25 [6.4]	1.28 [32.5]	0.53 [13.5]	0.06 [1.5]	0.50 [12.7]	0.47 [11.9]	0.28 [7.1]	SLOTTED FILLISTER HEAD
CXS125-14-Q CXS125-14T-Q	4 AWG - 1/0 AWG	50 IN-LB [5.6]	1/4"	.27 [6.8]	0.44 [11.2]	0.62 [15.7]	0.31 [7.9]	1.60 [40.6]	0.65 [16.5]	0.09 [2.3]	0.73 [18.4]	0.60 [15.3]	0.41 [10.4]	SLOTTED FILLISTER HEAD
CXS125-56-Q CXS125-56T-Q			5/16"	0.34 [8.7]										

* MULTIPLE WIRES MUST BE TWISTED TOGETHER BEFORE INSERTION INTO CONNECTOR

NOTE: SCREW STYLE & SIZE MAY DIFFER FROM CHART. DIFFERENCE IN STYLE/SIZE WILL NOT AFFECT FIT, FORM, OR FUNCTION OF PART.

REV	DATE	BY	CHK	APR	DESCRIPTION	ECN
08	8/14	JHNU	TLCO	RGB	REVISED DIM'S FOR CXS125 PARTS: G WAS .43, A WAS 1.57, M WAS .63	12J038AQ-JC
07	7/14	JHNU	TLCO	RGB	ADDED CXS125 PARTS	12J038AQ-JC
06	5/14	JHNU	TLCO	RGB	REVISED G DIMENSION FOR CXS35-36 PARTS: .25 WAS .23 REVISED A DIMENSION FOR CXS35-36 PARTS: 1.08 WAS 1.06	12J038AQ-JC
05	4/14	JHNU	TLCO	RGB	ADDED CXS35-36-C, CXS35-36T-C TO DRAWING ADDED "D" DIMENSION & METRIC TORQUE VALUES	12J038AQ-JC
04	3/14	JHNU	TLCO	RGB	ADDED #14 AWG - #10 AWG = 20 IN-LB TO SCREW TORQUE	12J038AQ-JC
03	2/14	JHNU	TLCO	RGB	REVISED "L" DIMENSION: .47 [11.9] WAS .46 [11.7]	12J038AQ-JC
02	2/14	JHNU	TLCO	RGB	DRAWING LAYOUT REVISED CONVERTED DRAWING TO SOLIDWORKS	12J038AQ-JC

TITLE		CXS SERIES COPPER MECHANICAL LUGS	
CUSTOMER DRAWING			
ITEM REVISION NAME	12J038AQ/08		
DATASET FILE NAME	12J038AQ-JC/08.SLDDRW		
UNLESS OTHERWISE SPECIFIED, DIMENSIONAL TOLERANCES ARE: IN [mm]		MATERIAL	
.X ±	.XXX ±	SEE NOTES	
.XX ±	ANGLES ±	DRAWING NUMBER 12J038AQ-JC	
THIRD ANGLE PROJECTION		SHEET 1 OF 1	
DRAWN BY	DATE	CHK	SCALE
RWK	8/13	RLS	N/A
SIZE			B