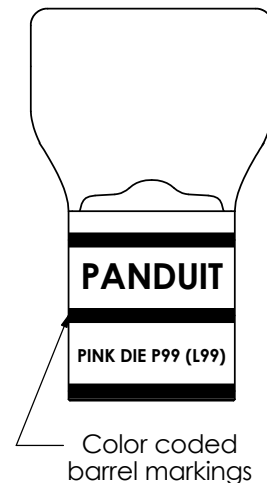
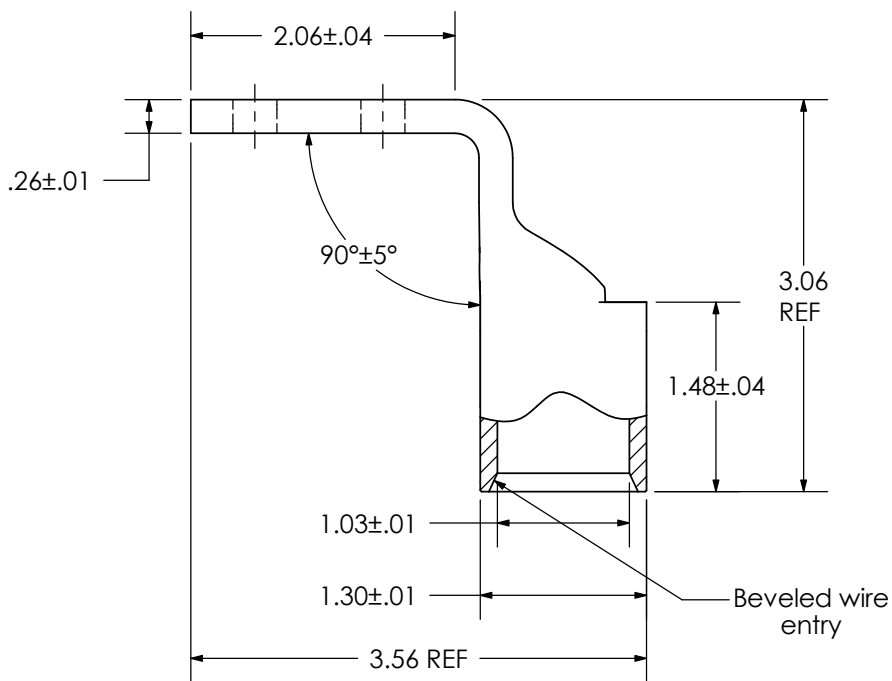
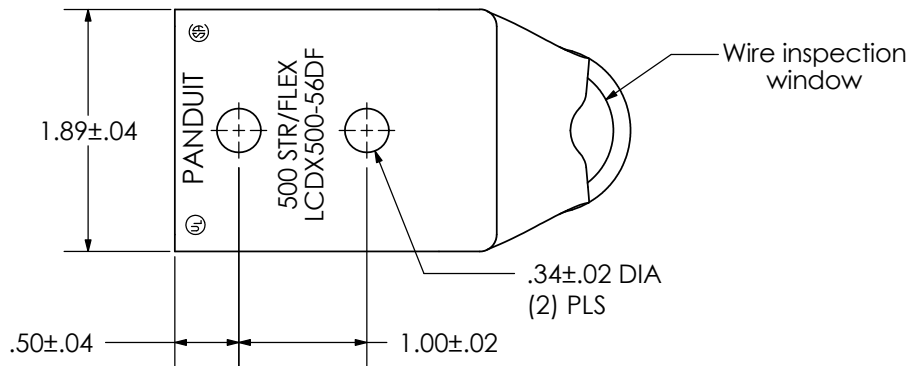


THIS COPY IS PROVIDED ON A RESTRICTED BASIS AND IS NOT TO BE USED IN ANY WAY DETRIMENTAL TO THE INTERESTS OF PANDUIT CORP.

Material	High Conductivity Seamless Copper Tube
Plating	Electro-Tin
Wire Size	500 STR/FLEX
Wire Type	Stranded Copper: Class: G, H, I, K, M, Locomotive
Wire Strip Length	1-9/16 in.
Stud Size	5/16 in.
UL Listed Wire Connector	Yes, for applications up to 35kv. Consult cable manufacturer for voltage stress relief instructions with applications greater than 2000 volts.
UL Temperature Rating	90° C
C.S.A Certified Wire Connector	Yes
Panduit Color Code on Barrel	PINK
Panduit Die Index No. on Barrel	P99
Alternate Industry Die Index No. () on Barrel	(L99)



REV	DATE	BY	CHK	DESCRIPTION	ECN
01	3/08	LEM	LEM	UPDATED TONGUE LENGTH	

PANDUIT CORP. TINLEY PARK, ILLINOIS

LCDX500-56DF-6
Copper Lug - Two-Hole, Standard Flex Barrel, 90° Angle Tongue

SCALE N/A DRAWING NO / CAD FILE LCDX500-56DF-CUST