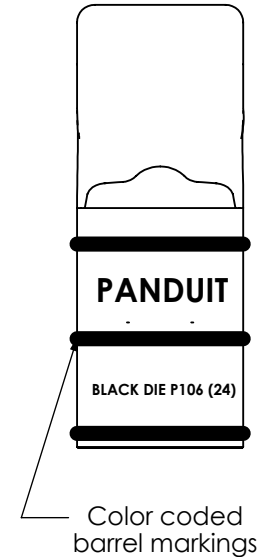
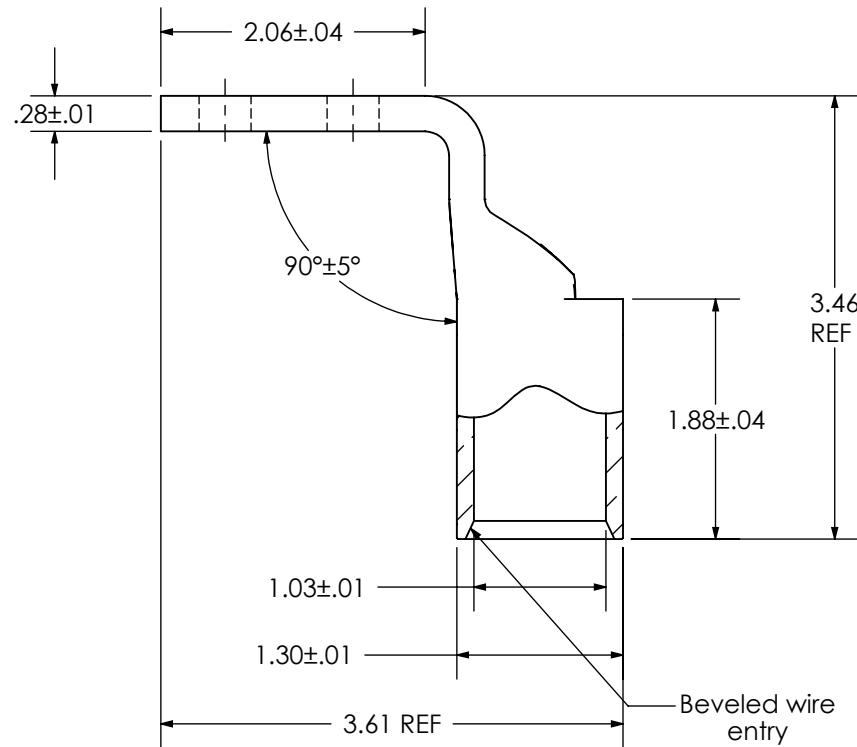
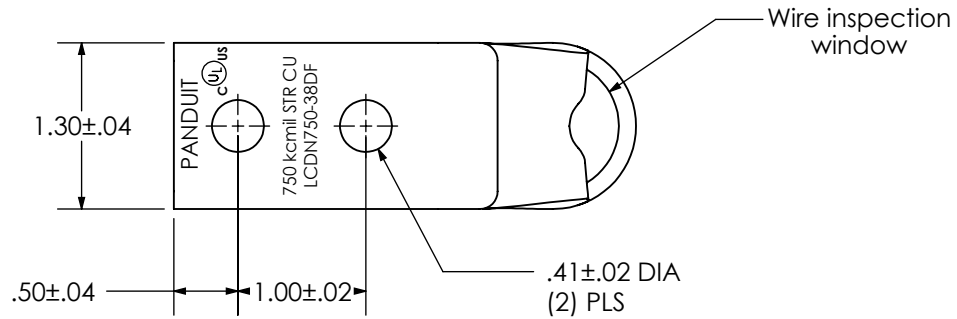


THIS COPY IS PROVIDED ON A RESTRICTED BASIS AND IS NOT TO BE USED IN ANY WAY DETRIMENTAL TO THE INTERESTS OF PANDUIT CORP.

Material	High Conductivity Seamless Copper Tube
Plating	Electro-Tin
Wire Size	750 kcmil
Wire Type	Stranded Copper; Class B: Compact, Compressed or Concentric, Class C: Concentric
Wire Strip Length	1-15/16 in.
Stud Size	3/8 in.
UL Listed Wire Connector	Yes, for applications up to 35kv. Consult cable manufacturer for voltage stress relief instructions with applications greater than 2000 volts.
UL Temperature Rating	90° C
C.S.A Certified Wire Connector	N/A
Panduit Color Code on Barrel	BLACK
Panduit Die Index No. on Barrel	P106
Alternate Industry Die Index No. () on Barrel	(24)



00	5/18	JHNU	JHNU		
REV	DATE	BY	CHK	DESCRIPTION	ECN
				DRAWING RELEASED	043942

PANDUIT CORP. TINLEY PARK, ILLINOIS

LCDN750-38DF-6
Copper Lug - Two-Hole, Narrow Tongue, Standard Barrel, 90° Angle Tongue

SCALE N/A DRAWING NO / CAD FILE LCDN750-38DF-CUST