

Rochester Electronics Manufactured Components

Rochester branded components are manufactured using either die/wafers purchased from the original suppliers or Rochester wafers recreated from the original IP. All recreations are done with the approval of the OCM.

Parts are tested using original factory test programs or Rochester developed test solutions to guarantee product meets or exceed the OCM data sheet.

Quality Overview

- ISO-9001
- AS9120 certification
- Qualified Manufacturers List (QML) MIL-PRF-35835
 - Class Q Military
 - Class V Space Level
- Qualified Suppliers List of Distributors (QSLD)
 - Rochester is a critical supplier to DLA and meets all industry and DLA standards.

Rochester Electronics, LLC is committed to supplying products that satisfy customer expectations for quality and are equal to those originally supplied by industry manufacturers.

The original manufacturer's datasheet accompanying this document reflects the performance and specifications of the Rochester manufactured version of this device. Rochester Electronics guarantees the performance of its semiconductor products to the original OEM specifications. 'Typical' values are for reference purposes only. Certain minimum or maximum ratings may be based on product characterization, design, simulation, or sample testing.

SN54AS866, SN74AS866 8-BIT MAGNITUDE COMPARATORS

D2661, DECEMBER 1982—REVISED MAY 1986

- Package Options Include Plastic "Small Outline" Packages, Both Plastic and Ceramic Chip Carriers, and Standard Plastic and Ceramic 300-mil DIPs
- Input and Output Latches with Active-High Enables
- Fast Compare to Zero
- Arithmetic and Logical Comparison
- Open-Collector P = Q Output
- Dependable Texas Instruments Quality and Reliability

description

These Advanced Schottky devices are capable of performing high-speed arithmetic or logical comparisons on two 8-bit binary or two's complement words. Three fully decoded decisions about words P and Q are externally available at the outputs. These devices are fully expandable to any word length by connecting the totem pole P > Q and P < Q outputs of each stage to the P > Q and P < Q inputs of the next higher-order stage. The cascading paths are implemented with only a two-gate-level delay to reduce overall comparison times for long words. The open-collector P = Q output may be wire-ANDed together.

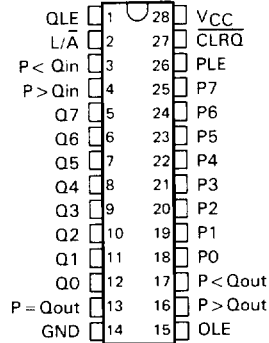
Both input words P and Q plus all three outputs (P > Q, P < Q, and P = Q) are equipped with latches to provide the designer with temporary data storage for avoiding race conditions. The enable circuitry is implemented with minimal delay times to enhance performance when the devices are cascaded for longer word lengths. Each latch is transparent when the appropriate latch enable, PLE, QLE, or OLE is high.

The enable inputs PLE and QLE and data inputs P and Q utilize p-n-p input transistors to reduce the low-level input current requirement to typically -0.25 mA, which minimizes loading effects.

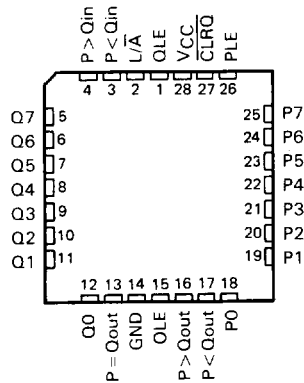
The Q register may be cleared to zero for a fast comparison of the P word to zero.

The SN54AS866 is characterized for operation over the full military temperature range of -55°C to 125°C. The SN74AS866 is characterized for operation from 0°C to 70°C.

SN54AS866 . . . JD PACKAGE
SN74AS866 . . . N PACKAGE
(TOP VIEW)

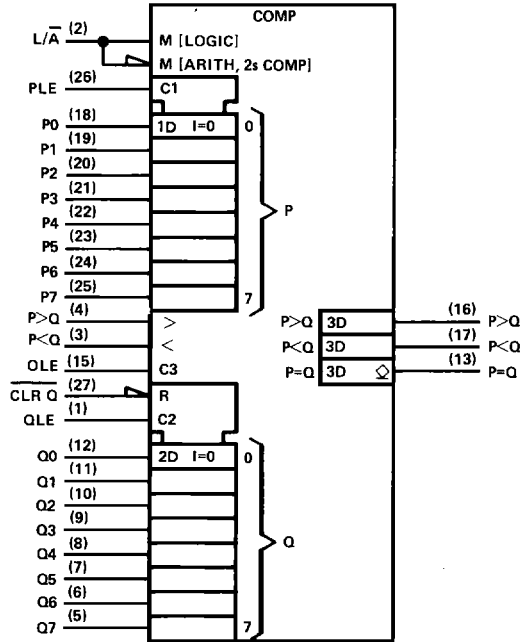


SN54AS866 . . . FK PACKAGE
SN74AS866 . . . FN PACKAGE
(TOP VIEW)



SN54AS866, SN74AS866
8-BIT MAGNITUDE COMPARATORS

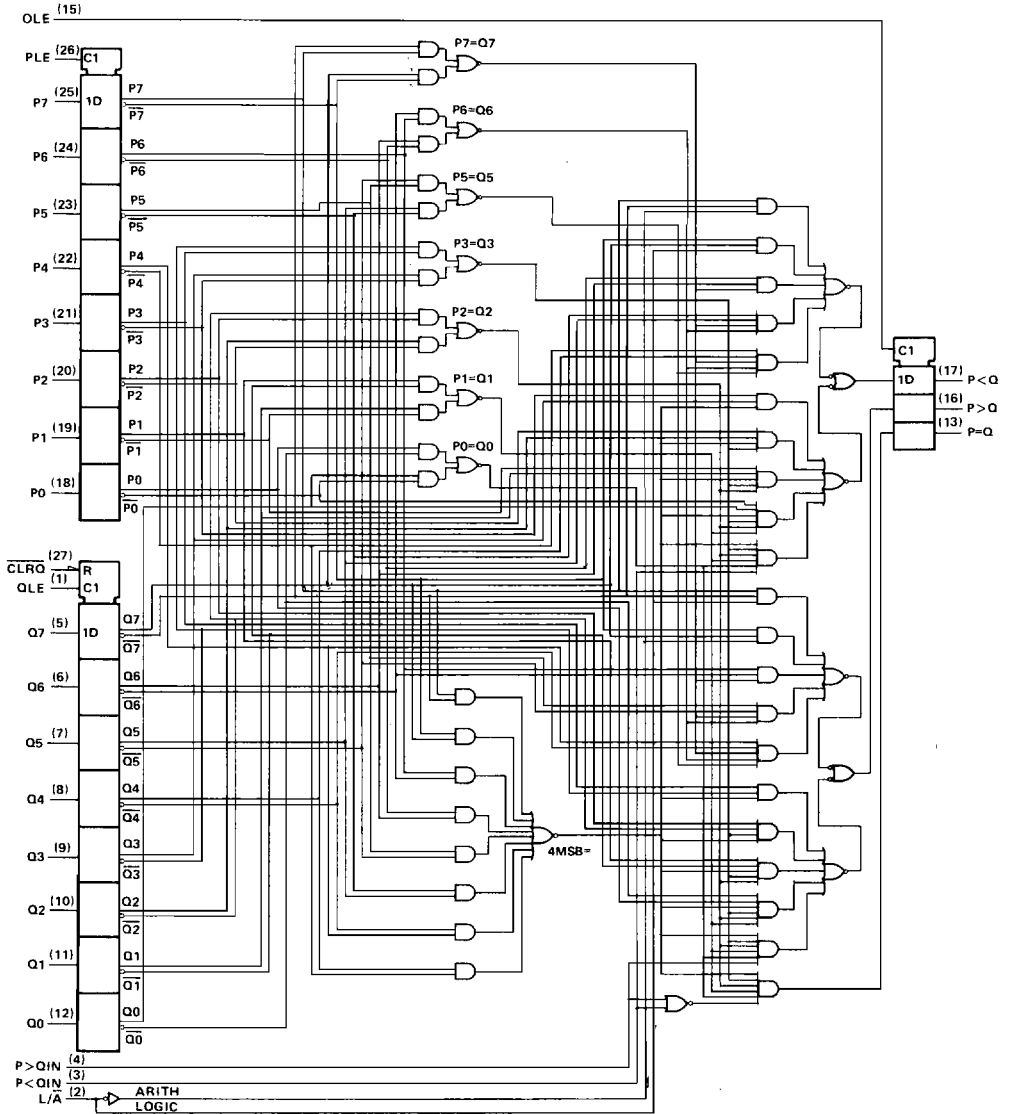
logic symbol†



†This symbol is in accordance with ANSI/IEEE Std 91-1984 and IEC Publication 617-12.

SN54AS866, SN74AS866
8-BIT MAGNITUDE COMPARATORS

logic diagram (positive logic)



SN54AS866, SN74AS866 8-BIT MAGNITUDE COMPARATORS

FUNCTION TABLE

COMPARISON	L/ \bar{A}	DATA INPUTS P0-P7, Q0-Q7	INPUTS		OUTPUTS		
			P > Q	P < Q	P > Q	P < Q	P = Q
Logical	H	P > Q	X	X	H	L	L
Logical	H	P < Q	X	X	L	H	L
Logical	H	P = Q	L	L	L	L	H
Logical	H	P = Q	L	H	L	H	L
Logical	H	P = Q	H	L	H	L	L
Logical	H	P = Q	H	H	H	H	L
Arithmetic	L	P AG Q	X	X	H	L	L
Arithmetic	L	Q AG P	X	X	L	H	L
Arithmetic	L	P = Q	L	L	L	L	H
Arithmetic	L	P = Q	L	H	L	H	L
Arithmetic	L	P = Q	H	L	H	L	L
Arithmetic	L	P = Q	H	H	H	H	L

AG = arithmetically greater than

absolute maximum ratings over operating free-air temperature range (unless otherwise noted)

Supply voltage, V_{CC}	7 V
Input voltage	7 V
Off-state output voltage, P = Q output	7 V
Operating free-air temperature range: SN54AS866	-55°C to 125°C
SN74AS866	0°C to 70°C
Storage temperature range	-65°C to 150°C

recommended operating conditions

PARAMETER	SN54AS866			SN74AS866			UNIT
	MIN	NOM	MAX	MIN	NOM	MAX	
V_{CC} Supply voltage	4.5	5	5.5	4.5	5	5.5	V
V_{IH} High-level input voltage	2			2			V
V_{IL} Low-level input voltage			0.8			0.8	V
I_{OH} High-level output current, all outputs except P = Q			-2			-2	mA
V_{OH} High-level output voltage, P = Q output			5.5			5.5	V
I_{OL} Low-level output current			20			20	mA
t_{su} Setup time to PLE, QLE, OLE \bar{i}	2			2			ns
t_h Hold time after PLE, QLE, OLE \bar{i}	4			4			ns
T_A Operating free-air temperature	-55		125	0		70	°C

SN54AS866, SN74AS866 8-BIT MAGNITUDE COMPARATORS

electrical characteristics over recommended operating free-air temperature range (unless otherwise noted)

PARAMETER		TEST CONDITIONS	SN54AS866		SN74AS866		UNIT
			MIN	TYP [†] MAX	MIN	TYP [†] MAX	
V _{IK}		V _{CC} = 4.5 V, I _I = 18 mA		-1.2		1.2	V
V _{OH}	P > Q, P < Q	V _{CC} = 4.5 V to 5.5 V, I _{OH} = 2 mA	V _{CC} / 2		V _{CC} / 2		
I _{OH}	P > Q only	V _{CC} = 4.5 V, V _{OH} = 5.5 V		0.25		0.25	mA
V _{OL}		V _{CC} = 4.5 V, I _{OL} = 20 mA		0.35 0.5		0.35 0.5	V
I _I		V _{CC} = 5.5 V, V _I = 7 V		0.1		0.1	mA
I _{IH}	L _A , OLE	V _{CC} = 5.5 V, V _I = 2.7 V		40		40	μA
	Others			20		20	
I _{IL}	L _A , OLE, P > Q _{in} , P < Q _{in}	V _{CC} = 5.5 V, V _I = 0.4 V		-4		-4	mA
	CLR _Q			-2		-2	
	P, Q, PLE, QLE			-0.25 1		0.25 1	
				20	112	-20	
I _O [‡]		V _{CC} = 5.5 V, V _O = 2.25 V	20	112	-20	112	mA
I _{CC}		V _{CC} = 5.5 V, See Note 1	160	240	160	240	mA

[†]All typical values are at V_{CC} = 5 V, T_A = 25°C.

[‡]The output conditions have been chosen to produce a current that closely approximates one-half of the true short-circuit, I_{OS}.

NOTE 1: I_{CC} is measured with all inputs high except L_A, which is low.

switching characteristics (see Note 2)

PARAMETER	FROM (INPUT)	TO (OUTPUT)	V _{CC} = 4.5 V to 5.5 V, C _L = 50 pF, R _L = 500 Ω, T _A = MIN to MAX						UNIT	
			SN54AS866			SN74AS866				
			MIN	TYP [†]	MAX	MIN	TYP [†]	MAX		
t _{PLH}	L _A	P < Q, P > Q	1	8.5	14	1	8.5	13	ns	
t _{PHL}			1	7.5	14	1	7.5	13		
t _{PLH}	P < Q,		1	5	10	1	5	8	ns	
t _{PHL}			P > Q	1	5.5	10	1	5.5		8
t _{PLH}	Any P or Q		P > Q	1	13.5	21	1	13.5	17.5	ns
t _{PHL}				Data Input	1	10	17	1	10	
t _{PLH}	CLR _Q		P, Q	1	16	21	1	16	20	ns
t _{PHL}				1	12	17	1	12	16	

PARAMETER	FROM (INPUT)	TO (OUTPUT)	V _{CC} = 4.5 V to 5.5 V, C _L = 50 pF, T _A = 280 Ω, T _A = MIN to MAX						UNIT	
			SN54AS866			SN74AS866				
			MIN	TYP [†]	MAX	MIN	TYP [†]	MAX		
t _{PLH}	P < Q,	P - Q	1	6.5	12	1	6.5	11	ns	
t _{PHL}			P > Q	1	8	14	1	8		13
t _{PLH}	Any P or Q		P - Q	1	10	15	1	10	14	ns
t _{PHL}				Data Input	1	9	14	1	9	
t _{PLH}	CLR _Q		P, Q	1	12	17	1	12	16	ns
t _{PHL}				1	13	18	1	13	17	

[†]All typical values are at V_{CC} = 5 V, T_A = 25°C.

NOTE 2: Load circuit and voltage waveforms are shown in Section 1.

SN54AS866, SN74AS866

8-BIT MAGNITUDE COMPARATORS

TYPICAL APPLICATION DATA

This sequence of comparisons illustrates how the $\overline{\text{CLRQ}}$ function can be used to perform dual comparisons of the varying P terms (P0, P1, etc.). When $\overline{\text{CLRQ}}$ is high, the P term is compared to the Q term. When $\overline{\text{CLRQ}}$ is taken low, the P term is compared to zero. This or similar sequences can enhance performance and reduce package count to perform value range checks.

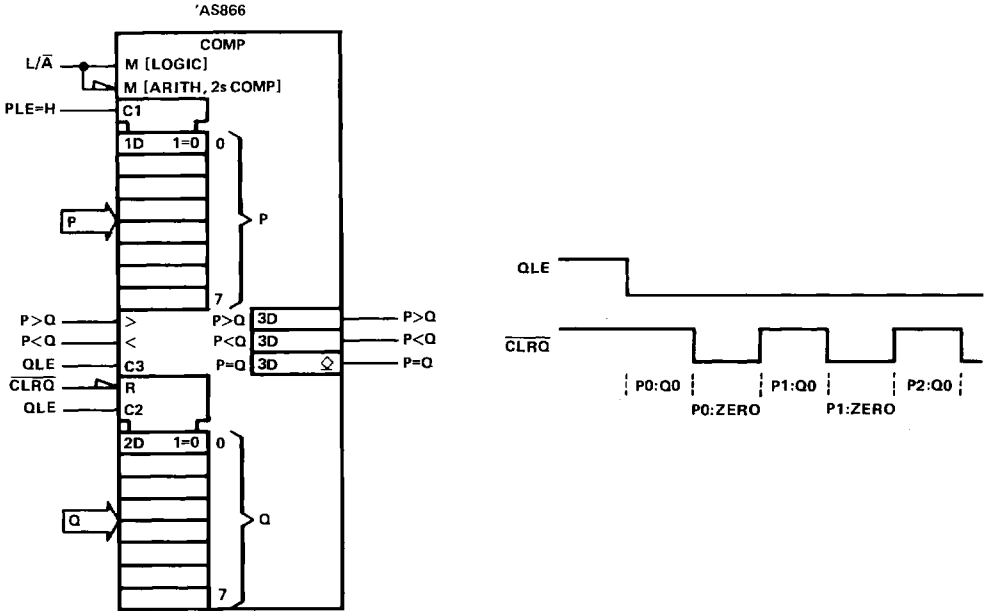


FIGURE 1. MAGNITUDE COMPARISONS COMBINED WITH QUICK COMPARISONS TO ZERO (RANGE VERIFICATIONS)

2 ALS and AS Circuits