

## 8000 Series TTL—Including Tri-State

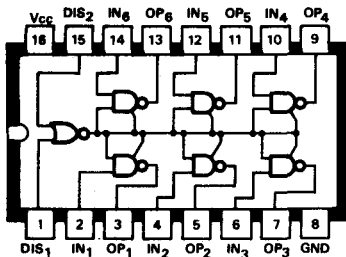
REFERENCE TABLE *See outline drawings Nos. 109, 111, 114 and 112 (as applicable for 14 pin, 16 pin package etc.) for physical dimensions.*

Code	Function	Stock No.	Connection Diagram No.
DM8090N	NAND Hex Inverter	30532B	C1
DM8091N	Quad 2-Input NAND Buffer	30609C	C2
DM8092N	Dual 5-Input NAND Gate	31020A	C3
<b>DM8095N</b>	<b>TRI-STATE Hex Buffer</b>	<b>31021X</b>	<b>C4</b>
<b>DM8096N</b>	<b>TRI-STATE Hex Inverter</b>	<b>33029F</b>	<b>C5</b>
<b>DM8097N</b>	<b>TRI-STATE Hex Buffer (4-2)</b>	<b>33030R</b>	<b>C6</b>
<b>DM8098N</b>	<b>TRI-STATE Hex Inverter (4-2)</b>	<b>33031G</b>	<b>C7</b>
<b>DM8121N</b>	<b>TRI-STATE 8-Channel Multiplexer (TRI-STATE DM74151)</b>	<b>31022H</b>	<b>C8</b>
<b>DM8123N</b>	<b>TRI-STATE Quad 2-Input Multiplexer</b>	<b>31023F</b>	<b>C9</b>
DM8130N	10-Bit Comparator	31024D	C10
DM8131N	6-Bit Comparator	31025B	C11
DM8160N	6-Bit Comparator	31026X	C12
DM8200N	4-Bit Digital Comparator	19610C	C13
DM8210N	8-Channel Digital Switch	19611A	C14
DM8211N	8-Channel Multiplexer with Strobe	30611D	C15
<b>DM8214N</b>	<b>TRI-STATE Dual 4:1 Data Selector/Multiplexer</b>	<b>30535G</b>	<b>C16</b>
<b>DM8219N</b>	<b>TRI-STATE 16-Bit Data Selector</b>	<b>33032E</b>	<b>C17</b>
DM8220N	Parity Generator/Checker	19612X	C18
DM8223N	1:8 Demultiplexer	33033C	C19
<b>DM8230N</b>	<b>TRI-STATE Demultiplexer</b>	<b>29391E</b>	<b>C20</b>
DM8288N	Presetable Divide-by-12 Counter	30606R	C21
DM8301N	1-of-10 Decoder	33034A	C22
DM8309N	Dual 4-Input Multiplexer	31029E	C23
DM8312N	8-Input Multiplexer	31030H	C24
DM8511N	Dual Gated D Flip-Flop	33036H	C26
DM8512N	Dual Gated J-K Flip-Flop	33037F	C27
DM8520N	Modulo-N-Divider	19617X	C28
<b>DM8542N</b>	<b>TRI-STATE Quad I-O Register</b>	<b>33038D</b>	<b>C29</b>
<b>DM8552N</b>	<b>TRI-STATE Decade Counter/Latch</b>	<b>31031F</b>	<b>C30</b>
<b>DM8553N</b>	<b>TRI-STATE 8-Bit Latch</b>	<b>31032D</b>	<b>C31</b>
<b>DM8554N</b>	<b>TRI-STATE Binary Counter/Latch</b>	<b>31033B</b>	<b>C32</b>
<b>DM8555N</b>	<b>TRI-STATE Presetable Decade Counter</b>	<b>31034X</b>	<b>C33</b>
<b>DM8556N</b>	<b>TRI-STATE Presetable Binary Counter</b>	<b>31035R</b>	<b>C34</b>
DM8573D	1024-Bit Programmable ROM (pROM)	33039B	C35

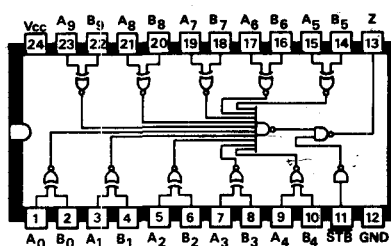
*Continued on next page*

MANUFACTURER'S CURRENT LIST PRICES ARE ALWAYS CHARGED

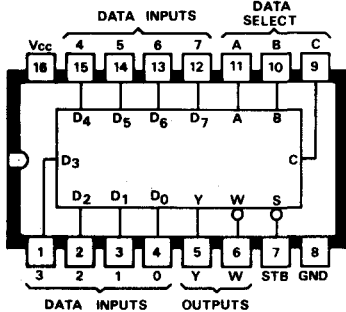
C7 **DM8098N**  
Hex-Inverter 4-2 (Tri-state)



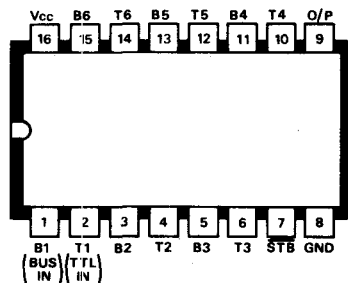
C10 **DM8130N**  
10-bit comparator



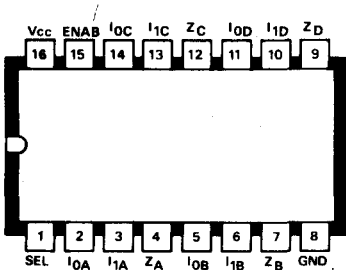
C8 **DM8121N**  
8 channel multiplexer (Tri-state)



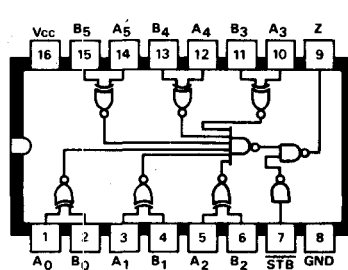
C11 **DM8131N**  
6-bit comparator



C9 **DM8123N**  
Quad 2-input multiplexer (Tri-state)



C12 **DM8160N**  
6-bit comparator



7