

✓ 54/7485 010532  
 ✓ 54LS/74LS85 010534

4-BIT MAGNITUDE COMPARATOR

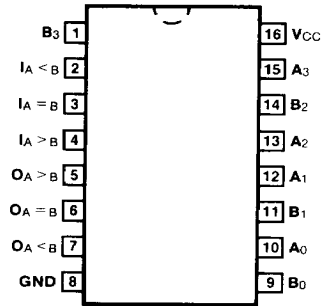
**DESCRIPTION** — The '85 is a high speed, expandable 4-bit magnitude comparator which compares two 4-bit words in any monotonic code (binary, BCD or other) and generates three outputs: A less than B, A greater than B, and A equal to B. Three expansion inputs allow serial (ripple) expansion over any word length without external gates.

- EASILY EXPANDABLE
- BINARY OR BCD COMPARISON
- A > B, A < B, A = B OUTPUTS AVAILABLE

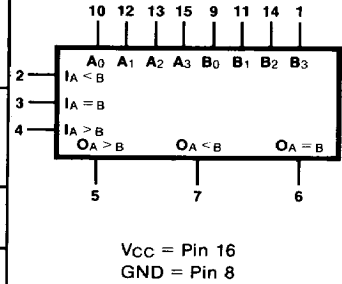
**ORDERING CODE:** See Section 9

PKGS	PIN OUT	COMMERCIAL GRADE	MILITARY GRADE	PKG TYPE
		V <sub>CC</sub> = +5.0 V ±5%, T <sub>A</sub> = 0°C to +70°C	V <sub>CC</sub> = +5.0 V ±10%, T <sub>A</sub> = -55°C to +125°C	
Plastic DIP (P)	A	7485PC, 74LS85PC		9B
Ceramic DIP (D)	A	7485DC, 74LS85DC	5485DM, 54LS85DM	6B
Flatpak (F)	A	7485FC, 74LS85FC	5485FM, 54LS85FM	4L

**CONNECTION DIAGRAM**  
PINOUT A



**LOGIC SYMBOL**



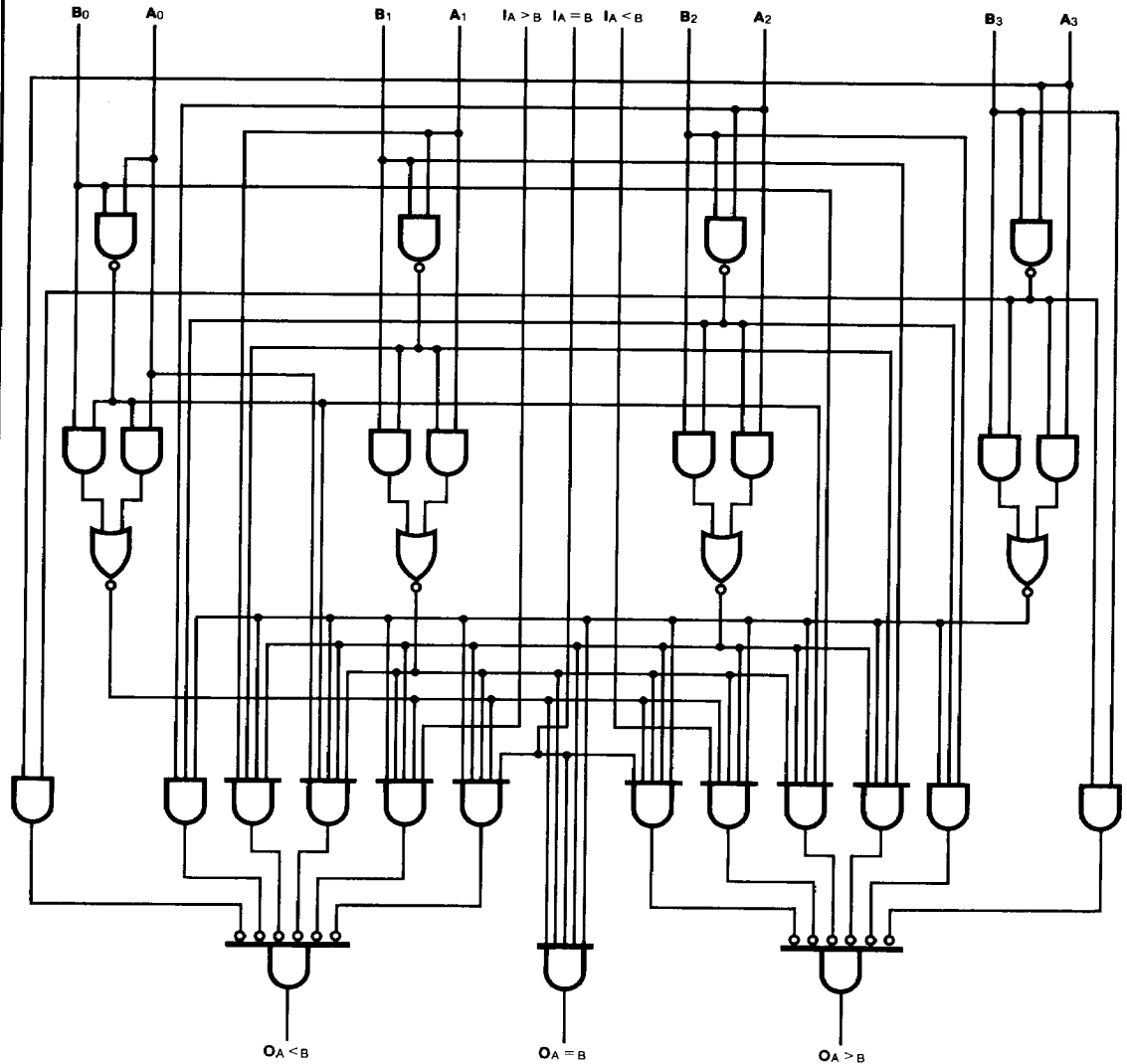
4

**INPUT LOADING/FAN-OUT:** See Section 3 for U.L. definitions

PIN NAMES	DESCRIPTION	54/74 (U.L.) HIGH/LOW	54/74LS (U.L.) HIGH/LOW
A <sub>0</sub> — A <sub>3</sub>	Word A Inputs	3.0/3.0	1.5/0.75
B <sub>0</sub> — B <sub>3</sub>	Word B Inputs	3.0/3.0	1.5/0.75
I <sub>A</sub> = B	A = B Expansion Input	3.0/3.0	1.5/0.75
I <sub>A</sub> < B, I <sub>A</sub> > B	A < B, A > B Expansion Inputs	1.0/1.0	0.5/0.25
O <sub>A</sub> > B	A Greater Than B Output	10/10	10/5.0 (2.5)
O <sub>A</sub> < B	A Less Than B Output	10/10	10/5.0 (2.5)
O <sub>A</sub> = B	A Equal B Output	10/10	10/5.0 (2.5)

**FUNCTIONAL DESCRIPTION**—The '85 compares two 4-bit words (A, B). Each word has four parallel inputs ( $A_0$ — $A_3$ ,  $B_0$ — $B_3$ ) of which  $A_3$  and  $B_3$  are the most significant. Three expander inputs ( $I_A > B$ ,  $I_A < B$ ,  $I_A = B$ ) allow cascading without external gates. The three outputs ( $O_A > B$ ,  $O_A < B$ ,  $O_A = B$ ) have only two gate delays from the expander inputs, thus reducing the delay time when units are cascaded for long words. The  $I_A = B$  input to the least significant position must be held HIGH for proper compare operation. For serial (ripple) expansion, the  $A > B$ ,  $A < B$  and  $A = B$  outputs are connected respectively to the  $I_A > B$ ,  $I_A < B$ , and  $I_A = B$  inputs of the next most significant comparator.

### LOGIC DIAGRAM



TRUTH TABLE

COMPARING INPUTS				CASCADING INPUTS			OUTPUTS		
A <sub>3</sub> , B <sub>3</sub>	A <sub>2</sub> , B <sub>2</sub>	A <sub>1</sub> , B <sub>1</sub>	A <sub>0</sub> , B <sub>0</sub>	I <sub>A</sub> > B	I <sub>A</sub> < B	I <sub>A</sub> = B	O <sub>A</sub> > B	O <sub>A</sub> < B	O <sub>A</sub> = B
A <sub>3</sub> > B <sub>3</sub>	X	X	X	X	X	X	H	L	L
A <sub>3</sub> < B <sub>3</sub>	X	X	X	X	X	X	L	H	L
A <sub>3</sub> = B <sub>3</sub>	A <sub>2</sub> > B <sub>2</sub>	X	X	X	X	X	H	L	L
A <sub>3</sub> = B <sub>3</sub>	A <sub>2</sub> < B <sub>2</sub>	X	X	X	X	X	L	H	L
A <sub>3</sub> = B <sub>3</sub>	A <sub>2</sub> = B <sub>2</sub>	A <sub>1</sub> > B <sub>1</sub>	X	X	X	X	H	L	L
A <sub>3</sub> = B <sub>3</sub>	A <sub>2</sub> = B <sub>2</sub>	A <sub>1</sub> < B <sub>1</sub>	X	X	X	X	L	H	L
A <sub>3</sub> = B <sub>3</sub>	A <sub>2</sub> = B <sub>2</sub>	A <sub>1</sub> = B <sub>1</sub>	A <sub>0</sub> > B <sub>0</sub>	X	X	X	H	L	L
A <sub>3</sub> = B <sub>3</sub>	A <sub>2</sub> = B <sub>2</sub>	A <sub>1</sub> = B <sub>1</sub>	A <sub>0</sub> < B <sub>0</sub>	X	X	X	L	H	L
A <sub>3</sub> = B <sub>3</sub>	A <sub>2</sub> = B <sub>2</sub>	A <sub>1</sub> = B <sub>1</sub>	A <sub>0</sub> = B <sub>0</sub>	H	L	L	H	L	L
A <sub>3</sub> = B <sub>3</sub>	A <sub>2</sub> = B <sub>2</sub>	A <sub>1</sub> = B <sub>1</sub>	A <sub>0</sub> = B <sub>0</sub>	L	H	L	L	H	L
A <sub>3</sub> = B <sub>3</sub>	A <sub>2</sub> = B <sub>2</sub>	A <sub>1</sub> = B <sub>1</sub>	A <sub>0</sub> = B <sub>0</sub>	X	X	H	L	L	H
A <sub>3</sub> = B <sub>3</sub>	A <sub>2</sub> = B <sub>2</sub>	A <sub>1</sub> = B <sub>1</sub>	A <sub>0</sub> = B <sub>0</sub>	L	L	L	H	H	L
A <sub>3</sub> = B <sub>3</sub>	A <sub>2</sub> = B <sub>2</sub>	A <sub>1</sub> = B <sub>1</sub>	A <sub>0</sub> = B <sub>0</sub>	H	H	L	L	L	L

H = HIGH Voltage Level  
 L = LOW Voltage Level  
 X = Immaterial

**APPLICATIONS** — Figure a shows a high speed method of comparing two 24-bit words with only two levels of device delay. With the technique shown in Figure b six levels of device delay result when comparing two 24-bit words. The parallel technique can be expanded to any number of bits, see Table I.

TABLE I

WORD LENGTH	NUMBER OF PKGS.
1-4 Bits	1
5-24 Bits	2-6
25-120 Bits	8-31

NOTE:  
 The 54LS/74LS85 can be used as a 5-bit comparator only when the outputs are used to drive the A<sub>0</sub> — A<sub>3</sub> and B<sub>0</sub> — B<sub>3</sub> inputs of another 54LS/74LS85 as shown in Figure 2 in positions #1, 2, 3, and 4.

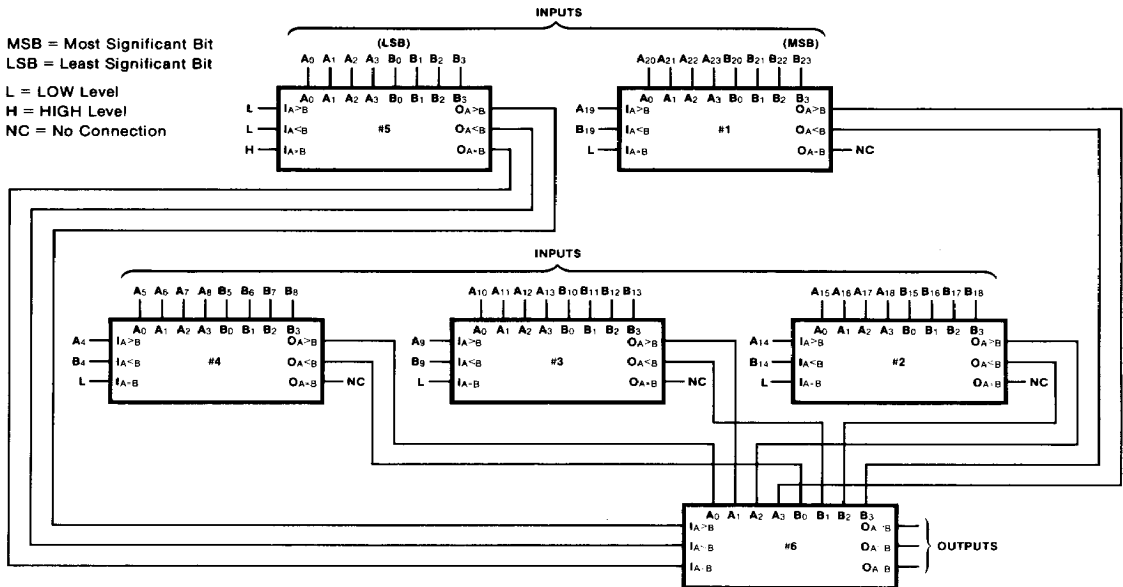


Fig. a Comparison of Two 24-Bit Words

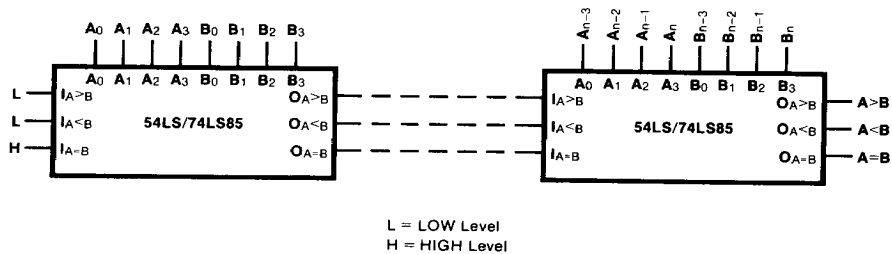


Fig. b Comparison of Two n-Bit Words

**DC CHARACTERISTICS OVER OPERATING TEMPERATURE RANGE** (unless otherwise specified)

SYMBOL	PARAMETER	54/74		54/74LS		UNITS	CONDITIONS
		Min	Max	Min	Max		
I <sub>OS</sub>	Output Short Circuit Current	XM		-20	-55	mA	V <sub>CC</sub> = Max
		XC		-18	-55		
I <sub>CC</sub>	Power Supply Current	88		20		mA	V <sub>CC</sub> = Max I <sub>A</sub> = B = Gnd Other Inputs Open

**AC CHARACTERISTICS:** V<sub>CC</sub> = +5.0 V, T<sub>A</sub> = +25°C (See Section 3 for waveforms and load configurations)

SYMBOL	PARAMETER	54/74		54/74LS		UNITS	CONDITIONS
		C <sub>L</sub> = 15 pF R <sub>L</sub> = 400 Ω		C <sub>L</sub> = 15 pF			
		Min	Max	Min	Max		
t <sub>PLH</sub> t <sub>PHL</sub>	Propagation Delay A <sub>n</sub> or B <sub>n</sub> to O <sub>A</sub> > B or O <sub>A</sub> < B	26 30		36 30		ns	Figs. 3-1, 3-20
t <sub>PLH</sub> t <sub>PHL</sub>	Propagation Delay A <sub>n</sub> or B <sub>n</sub> to O <sub>A</sub> = B	35 30		45 45		ns	Figs. 3-1, 3-20
t <sub>PLH</sub> t <sub>PHL</sub>	Propagation Delay A <sub>n</sub> I <sub>xx</sub> to O <sub>A</sub> > B or O <sub>A</sub> < B	11 17		22 17		ns	Figs. 3-1, 3-4
t <sub>PLH</sub> t <sub>PHL</sub>	Propagation Delay I <sub>A</sub> = B to O <sub>A</sub> = B	20 17		22 17		ns	Figs. 3-1, 3-5