

## MAX3797

# 10.3Gbps, Low-Power Transimpedance Amplifier for 10GBASE-SR Applications

### General Description

The MAX3797 is a low-power transimpedance amplifier designed for optical transmission systems at data rates up to 10.3125Gbps and for use with PIN diodes.

The MAX3797 incorporates an automatic gain control (AGC) architecture providing nominal small-signal transimpedance of 5.5k $\Omega$ . The input-referred noise is typically 1.25 $\mu$ A<sub>RMS</sub>, which reflects a theoretical sensitivity of -14.8dBm OMA at a bit error rate (BER) of 10<sup>-12</sup> for a PIN ( $p = 0.55$ ,  $r_e = 3$ ) photo detector.

The small die size of 1mm x 0.76mm enables an optical subassembly using a TO-46 or TO-56 package. The MAX3797 supports low-cost ROSAs by offering stable operation with no capacitors required in the ROSA. The MAX3797's sensitivity is stable over temperature and supply.

### Benefits and Features

- ◆ Stable Sensitivity Over Supply and Temperature
- ◆ Up to 10.3125Gbps (NRZ) Operation
- ◆ Supports No-Capacitor ROSA
- ◆ AGC Gain of 5.5k $\Omega$
- ◆ Single 3.3V Power Supply
- ◆ 105mW Power Consumption
- ◆ Wide Bandwidth Current Monitor Enables RSSI-Based LOS Implementation
- ◆ Die Size 1mm x 0.76mm

### Applications

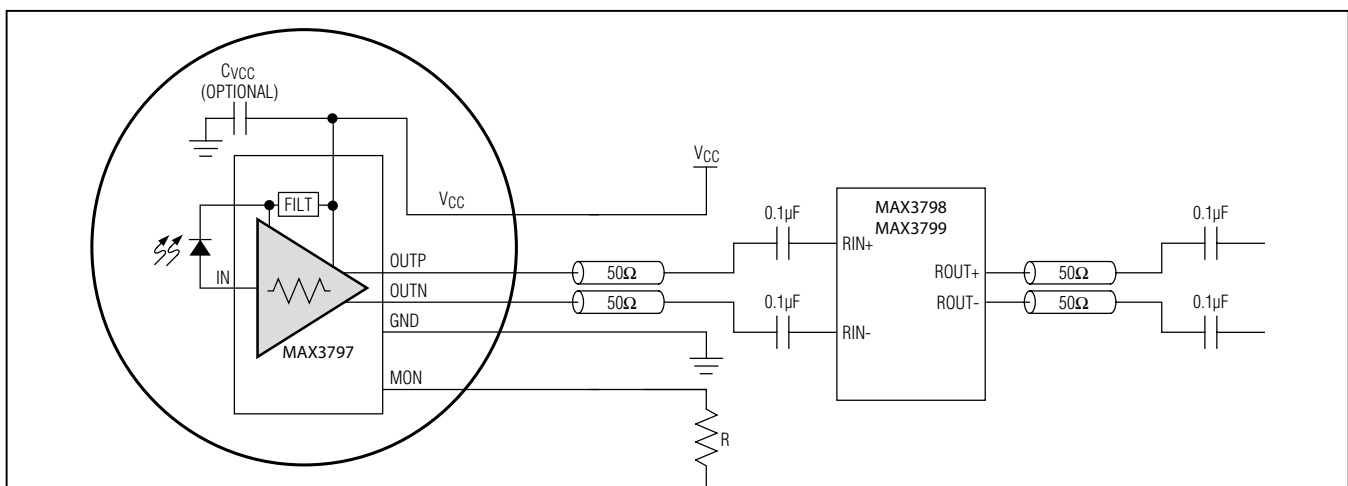
10.3125Gbps Ethernet Optical Receivers  
(10GBASE-SR)

8.25Gbps Fibre Channel Optical Receivers  
(8xFC)

**Ordering Information** appears at end of data sheet.

For related parts and recommended products to use with this part, refer to [www.maximintegrated.com/MAX3797.related](http://www.maximintegrated.com/MAX3797.related).

### Typical Application Circuit



For pricing, delivery, and ordering information, please contact Maxim Direct at 1-888-629-4642, or visit Maxim Integrated's website at [www.maximintegrated.com](http://www.maximintegrated.com).

# MAX3797

## 10.3Gbps, Low-Power Transimpedance Amplifier for 10GBASE-SR Applications

### ABSOLUTE MAXIMUM RATINGS

Power-Supply Voltage ( $V_{CC}$ ).....	-0.3V to +4.0V	Voltage at FILT, OUTP, OUTN, MON.....	-0.3V to ( $V_{CC} + 0.3V$ )
Continuous Current into IN.....	-5mA to +5mA	Operating Junction Temperature Range ( $T_J$ )....	-55°C to +150°C
Continuous Current Out of FILT.....	-8mA to +8mA	Storage Temperature Range ( $T_{STG}$ ).....	-55°C to +150°C
Continuous Current in MON.....	-5mA to +5mA	Die Attach Temperature.....	+400°C
Continuous CML Output Current into OUTP, OUTN.....	-25mA to +25mA		

Stresses beyond those listed under "Absolute Maximum Ratings" may cause permanent damage to the device. These are stress ratings only, and functional operation of the device at these or any other conditions beyond those indicated in the operational sections of the specifications is not implied. Exposure to absolute maximum rating conditions for extended periods may affect device reliability.

### OPERATING CONDITIONS

PARAMETER	CONDITIONS	MIN	TYP	MAX	UNITS
Supply Voltage		2.97	3.3	3.63	V
Backside Die Temperature		-40	+25	+100	°C
Data Rate			10.3125		Gbps
Wire Bond Inductance at Pad IN			0.3	0.5	nH
Photo Diode Junction Capacitance			0.2		pF
Compliance Voltage at MON		1.8			V

### ELECTRICAL CHARACTERISTICS

( $V_{CC} = 2.97V$  to  $3.63V$ .  $T_A = -40°C$  to  $+85°C$ , unless otherwise noted. Typical values are at  $V_{CC} = 3.3V$ ,  $100\Omega$  differential output load between OUTP and OUTN, and  $T_A = +25°C$ .)

PARAMETER	SYMBOL	CONDITIONS	MIN	TYP	MAX	UNITS
<b>POWER SUPPLY</b>						
Power-Supply Current	$I_{CC}$	(Note 1)		32	45	mA
Power-Supply Noise Rejection	PSNR	$f \leq 10MHz$ , $20\log(\Delta V_{OUT}/\Delta V_{CC})$		-19		dB
<b>INPUT SPECIFICATION</b>						
Input Bias Voltage	$V_{IN}$	(Note 1)		1.0	1.1	V
Resistor at FILT pad	$R_{FILT}$	(Note 1)	160	200	240	$\Omega$
Input-Referred Noise	$I_n$	Unfiltered output (Notes 1, 2)		1.25	1.85	$\mu A_{RMS}$
<b>TRANSFER SPECIFICATION</b>						
Differential Transimpedance		$I_{IN} \leq 20\mu A_{P-P}$ (Note 1)	4.3	5.5	6.7	$k\Omega$
Optical Small-Signal Bandwidth	$f_{3dB}$	Using Cosemi 10G pin diode LPD3010		7.7		GHz
Low-Frequency Cutoff	$f_{c3dB}$	$I_{IN} \leq 40\mu A_{P-P}$		12.5		kHz

## 10.3Gbps, Low-Power Transimpedance Amplifier for 10GBASE-SR Applications

### ELECTRICAL CHARACTERISTICS (continued)

( $V_{CC} = 2.97V$  to  $3.63V$ ,  $T_A = -40^{\circ}C$  to  $+85^{\circ}C$ , unless otherwise noted. Typical values are at  $V_{CC} = 3.3V$ ,  $100\Omega$  differential output load between OUTP and OUTN, and  $T_A = +25^{\circ}C$ .)

PARAMETER	SYMBOL	CONDITIONS	MIN	TYP	MAX	UNITS
<b>OUTPUT SPECIFICATION</b>						
Deterministic Jitter	DJ	10.3125Gbps with PRBS31-1, $I_{IN} \leq 1.0mA_{P-P}$ (Note 3)		6.0		pSp-P
Maximum Differential Output Voltage	$V_{OUT(MAX)P-P}$	$I_{IN} > 100\mu A_{P-P}$		300		mV <sub>P-P</sub>
<b>PHOTOCURRENT MONITOR (RSSI)</b>						
Maximum Photocurrent Output Offset	$I_{MONoffset}$	No input current (Note 1)		7.5	13.5	$\mu A$
Photocurrent Monitor Gain	$I_{MON}/I_{AVG}$	$10\mu A \leq I_{AVG} \leq 1.4mA$ $0V \leq V_{RSSI} \leq 1.8V$ (Note 1)	0.486	0.5	0.513	A/A
Photocurrent Monitor Gain Stability	$ \Delta I_{MON}/I_{AVG} $	$10\mu A \leq I_{AVG} \leq 1.4mA$ $0V \leq V_{RSSI} \leq 1.8V$ (Notes 1, 4)		0.42	0.73	%

**Note 1:** Guaranteed by design and characterization.

**Note 2:** Measured using an RF-power meter with no optical signal applied to the ROSA.

**Note 3:** The deterministic jitter caused by the optical source is not included in the DJ specification.

**Note 4:** Gain stability is defined  $[(Gain_{measured}) - (Gain_{reference})]/(Gain_{reference})$  over the listed current range, temperature, and supply variation. Reference gain is an average of gain values over specified temperature and supply variation.

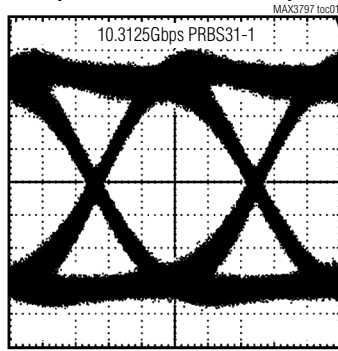
# MAX3797

## 10.3Gbps, Low-Power Transimpedance Amplifier for 10GBASE-SR Applications

### Typical Operating Characteristics

( $V_{CC} = 3.3V$ ,  $T_A = +25^\circ C$ , 850nm ROSA with SPD3010 with responsivity of 0.5A/W, unless otherwise noted.)

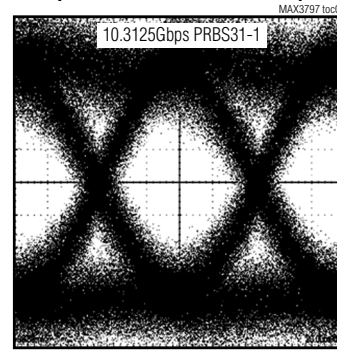
**OPTICAL EYE DIAGRAM  
(-4dBm OMA AND ER = 5dB)**



50mV/div

20ps/div

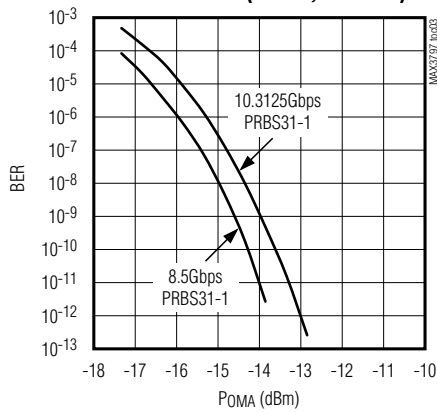
**OPTICAL EYE DIAGRAM  
(-13dBm OMA AND ER = 5dB)**



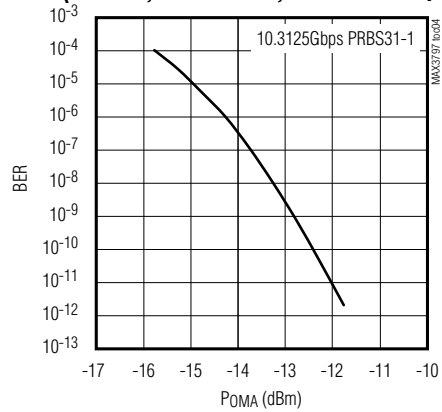
20mV/div

20ps/div

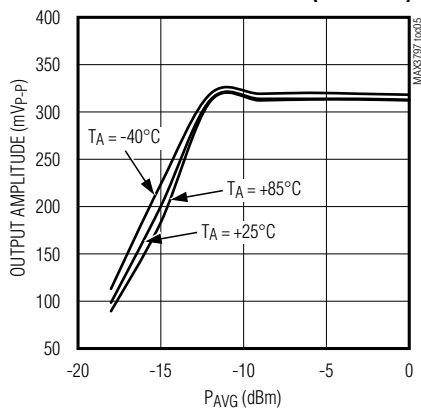
**UNSTRESSED OPTICAL BER CURVES  
vs. DATA RATE (850nm; ER = 5dB)**



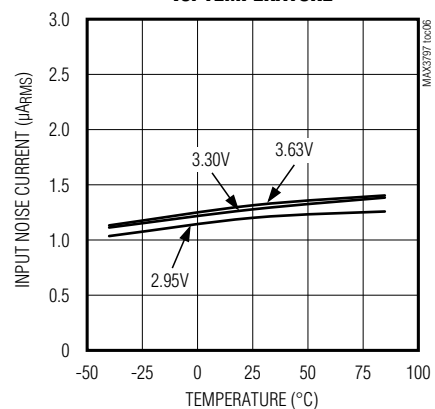
**850nm STRESSED OPTICAL BER CURVE  
(ER = 3dB; VECF = 3.4dB; JITTER = 0.32UIp-p)**



**DIFFERENTIAL OUTPUT AMPLITUDE  
vs. INPUT OPTICAL POWER (ER = 11dB)**



**INPUT-REFERRED NOISE CURRENT  
vs. TEMPERATURE**

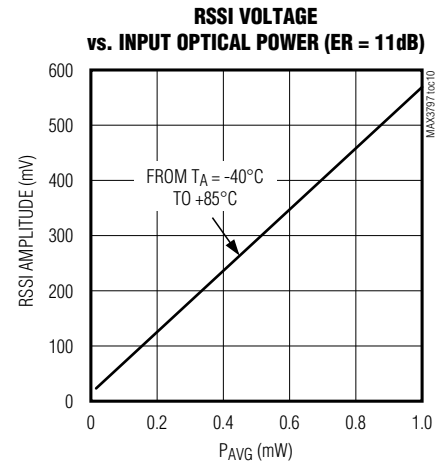
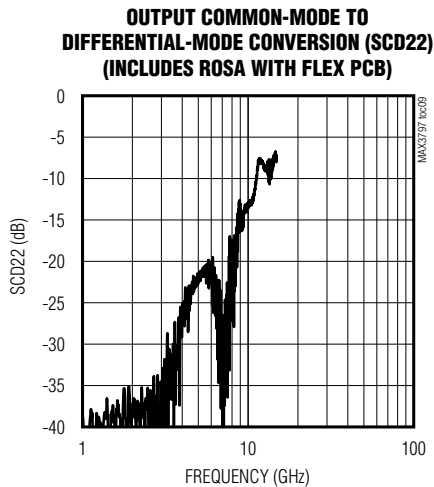
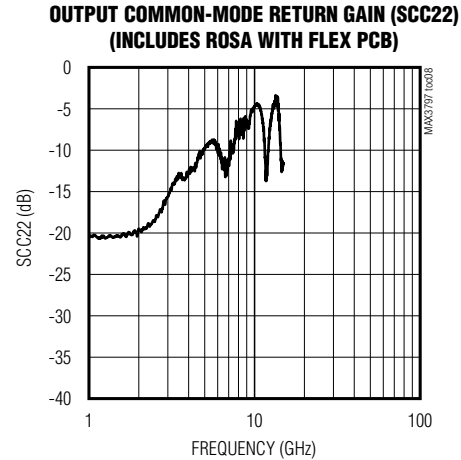
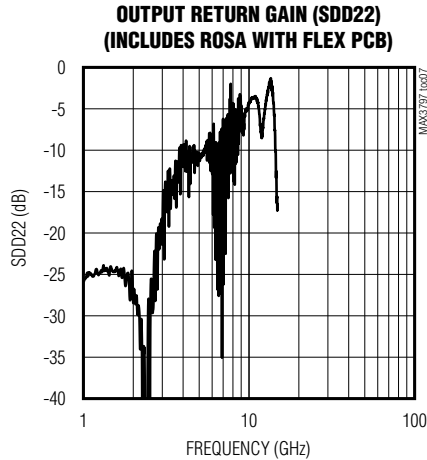


# MAX3797

## 10.3Gbps, Low-Power Transimpedance Amplifier for 10GBASE-SR Applications

### Typical Operating Characteristics (continued)

( $V_{CC} = 3.3V$ ,  $T_A = +25^\circ C$ , 850nm ROSA with SPD3010 with responsivity of 0.5A/W, unless otherwise noted.)



# MAX3797

## 10.3Gbps, Low-Power Transimpedance Amplifier for 10GBASE-SR Applications

### Pad Description

PAD	NAME	FUNCTION	EQUIVALENT CIRCUIT
1, 3	FILT	Provides filtered PIN bias voltage.	
2	IN	TIA Input. Signal current from the photo diode flows into this pad.	—
4	MON	<p>Monitor Output. Analog current output proportional to the average photo diode current. Connect resistor between MON and GND to develop a GND referenced monitor voltage.</p> <p><b>IMPORTANT:</b> For proper operation of the TIA signal path, it is imperative to choose the value of the external resistor according to the maximum MON compliance voltage of 1.8V. If the RSSI function is not required then MON must be tied to GND.</p>	
5, 7, 11, 13	GND	Ground. TIA ground connection.	—

# MAX3797

## 10.3Gbps, Low-Power Transimpedance Amplifier for 10GBASE-SR Applications

### Pad Description (continued)

PAD	NAME	FUNCTION	EQUIVALENT CIRCUIT
6	OUTN	Negative CML Output. Current flowing into IN causes OUTN to decrease.	
8	TEST	TEST mode input. Connect through bond wire to GND for proper operation.	
9, 10	N.C.	No Connection. Leave open for proper operation	

# MAX3797

## 10.3Gbps, Low-Power Transimpedance Amplifier for 10GBASE-SR Applications

### Pad Description (continued)

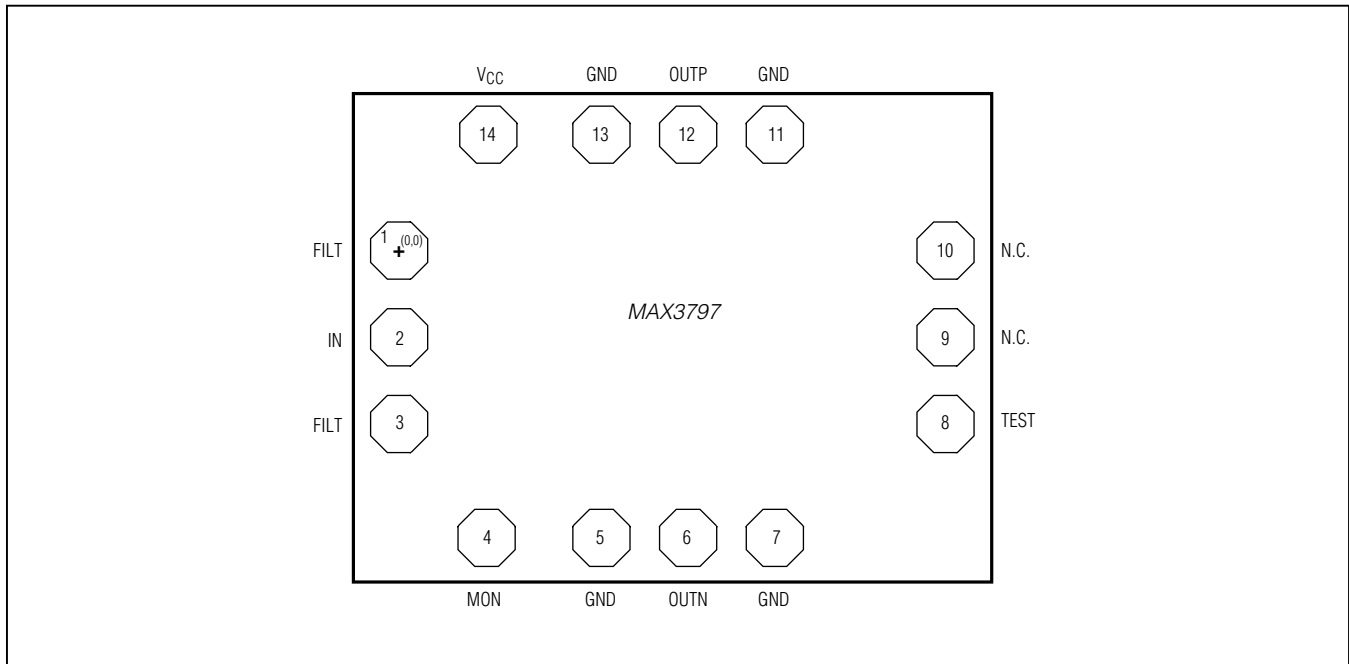
PAD	NAME	FUNCTION	EQUIVALENT CIRCUIT
12	OUTP	Positive CML Output. Current flowing into IN causes OUTP to increase.	
14	V <sub>CC</sub>	Supply Voltage	—



# MAX3797

## 10.3Gbps, Low-Power Transimpedance Amplifier for 10GBASE-SR Applications

### Chip Topography



### Detailed Description

The MAX3797 is a low-power transimpedance amplifier designed for optical transmission systems at data rates up to 10.3Gbps.

The functional diagram of the MAX3797 is shown in [Figure 1](#). The MAX3797 comprises of a transimpedance amplifier stage with automatic gain control (AGC), a DC offset correction loop, photo diode filtering with current monitor and an output buffer. The MAX3797 is designed to work with PIN photo diodes and does not require a bypass capacitor.

#### Transimpedance Amplifier Stage with Automatic Gain Control (AGC)

The signal current from the photodiode flows into the input node of a linear gain amplifier stage in the MAX3797 design. A low input impedance circuit converts the single-ended input current to a differential output voltage. At input currents above  $100\mu\text{A}_{\text{P-P}}$  the gain of this linear amplifier is controlled by an AGC that adjusts the gain through a feedback loop.

Table 1. Pad Coordinates

PAD NUMBER	PAD NAME	X [um]	Y[um]
1	FILT	0	0
2	IN	0	-125.0
3	FILT	0	-250.0
4	MON	125.2	-390.5
5	GND	300.2	-390.5
6	OUTN	425.2	-390.5
7	GND	550.2	-390.5
8	TEST	778.0	-250.0
9	N.C.	778.0	-125.0
10	N.C.	778.0	0
11	GND	550.2	147.5
12	OUTP	425.2	147.5
13	GND	300.2	147.5
14	VCC	125.2	147.5

# MAX3797

## 10.3Gbps, Low-Power Transimpedance Amplifier for 10GBASE-SR Applications

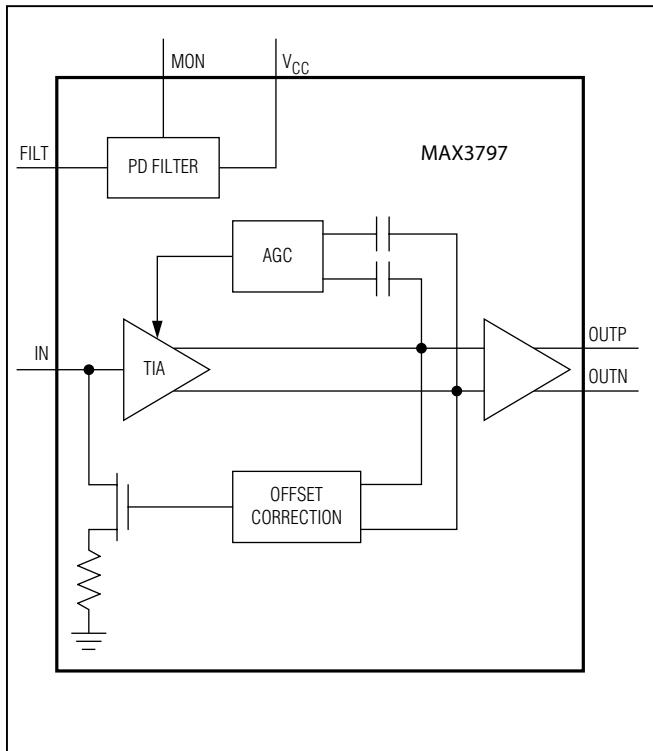


Figure 1. MAX3797 Functional Diagram

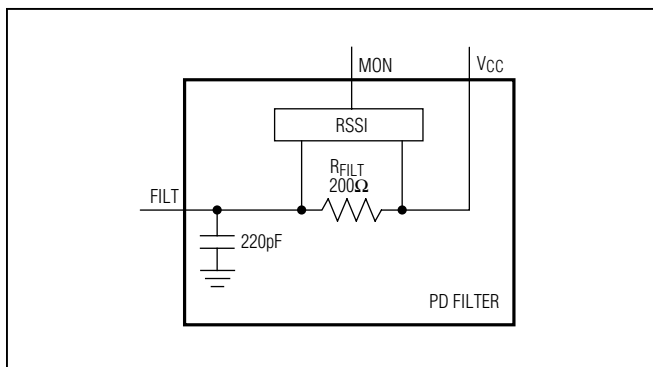


Figure 2. Photodiode BIAS Filtering with Current Monitor

### DC Offset Correction Loop

The DC offset correction loop uses a low-frequency feedback circuit to remove the DC component of the input signal. This feature centers the input signal within the TIA's linear range, thereby reducing pulse-width distortion caused by large input signals. The DC cancellation circuit is internally compensated and therefore does not require external capacitors.

### Photodiode Filtering with Current Monitor

Photodiode bias filtering in the MAX3797 is accomplished by an RC supply filter to V<sub>CC</sub>. The filter circuitry also contains a Receive Signal Strength Indicator (RSSI) that monitors the average photodiode current by sensing the voltage across the filter resistor R<sub>FILT</sub>. The filter circuitry is shown in [Figure 2](#).

### Output Buffer

The output buffer consists of a differential stage with 50Ω single-ended termination to V<sub>CC</sub>. For optimum supply-noise rejection, the MAX3797 should be AC-coupled to a matched load.

## Applications Information

### Layout Considerations

Noise performance and bandwidth are adversely affected by the capacitance at the IN pad. Minimize capacitance on this pad and select a low-capacitance PIN. The OUTP and OUTN bond wire lengths should also be minimized to meet the bandwidth specification. Special care should be taken when bonding the input pad IN to avoid ESD events. It is recommended to follow ROSA assembly instructions as depicted in [Figure 3](#).

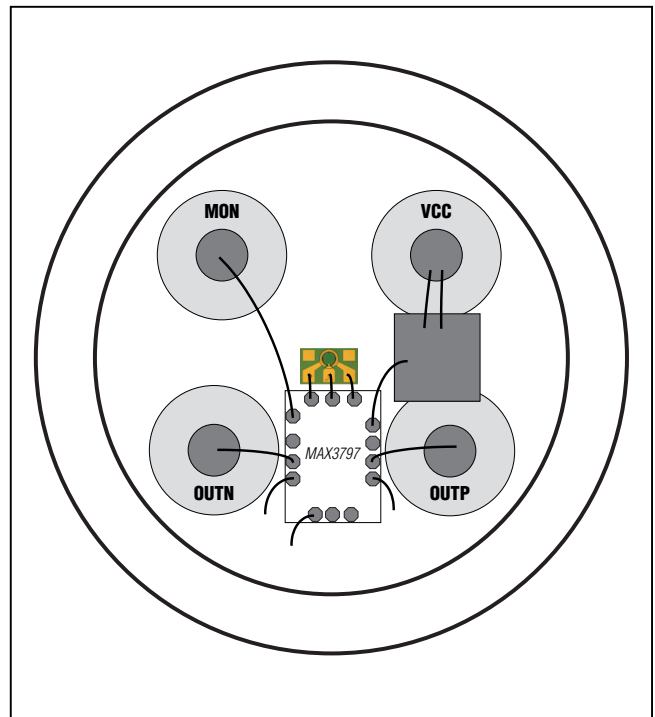


Figure 3. Typical Layout for TO-46 Header

# MAX3797

## 10.3Gbps, Low-Power Transimpedance Amplifier for 10GBASE-SR Applications

### Chip Information

PROCESS: SiGe Bipolar

### Ordering Information

PART	TEMP RANGE	PIN-PACKAGE
MAX3797E/D+	-40°C to +100°C	Dice*

\*Dice are tested and guaranteed only at +25°C, backside temperature.

# MAX3797

## 10.3Gbps, Low-Power Transimpedance Amplifier for 10GBASE-SR Applications

### Revision History

REVISION NUMBER	REVISION DATE	DESCRIPTION	PAGES CHANGED
0	2/13	Initial release	—



Maxim Integrated cannot assume responsibility for use of any circuitry other than circuitry entirely embodied in a Maxim Integrated product. No circuit patent licenses are implied. Maxim Integrated reserves the right to change the circuitry and specifications without notice at any time. The parametric values (min and max limits) shown in the Electrical Characteristics table are guaranteed. Other parametric values quoted in this data sheet are provided for guidance.

**Maxim Integrated 160 Rio Robles, San Jose, CA 95134 USA 1-408-601-1000**

12