

## Description

The HXT14400 is a quad-channel, low power, Linear PAM4 VCSEL driver for SR optical applications that supports signaling rates up to 28Gbaud or 56Gbps PAM4. In conjunction with an individual DFB laser diode, the device handles the complete digital-to-optical conversion, including CML input with equalization, laser driver, drive control and supervision.

The HXT14400 also integrates a number of functions required for Automatic Power Control (APC), as well as internal and module temperature measurements and reporting. Using the included RSSI input, the module receive optical power can also be measured and reported.

Designed for direct DC-coupled die in TOSA applications with a small number of additional components for cost-effective and compact assemblies. Available in die form.

## Typical Applications

- 200G QSFP56 Ethernet modules for datacenter application
- 400G CFP8 Ethernet SR16
- Fiber channel modules
- Infiniband EDR optical modules

## Ordering Information

Part	Temperature Range	Dimensions
HXT14400-DNU <sup>1</sup> HXT14400-TNU <sup>2</sup>	-5°C to +95°C	Nominal Die Size: 1650 x 2370 μm
HXT14400-EVB	Room Temp	Evaluation Board

Notes: Product Shipping Carrier Type: <sup>1</sup> – Waffle Pack; <sup>2</sup> – Blue Tape

For price, delivery schedules, and to place orders, please contact IDT: [www.IDT.com/go/sales](http://www.IDT.com/go/sales)

## Features

- 230mW per channel power dissipation typical
- Supports up to:  $I_{MOD} = 12mA_{PP}$  and  $I_{BIAS} = 12mA$  with  $V_{CC} = 3.3V$
- Integrated 12-bit ADC with 6 channel analog multiplexor front-end
- Programmable 8-bit Laser Modulation and Bias current control
- Integrated Bias Monitor, Transmit and Receive Power Monitor capability
- Automatic Power Control (APC)
- Programmable input LOS and squelch function with disable, transmit disable, and transmit fault indication
- Programmable input CTLE equalization
- Integrated temperature sensor and input for external module temperature sensor
- Interrupts with user selectable mask control
- Input polarity inversion
- Laser disable for  $I_{MOD}$  and  $I_{BIAS}$
- Integrated OTP for calibration
- 2-wire interface control

# Device Diagram

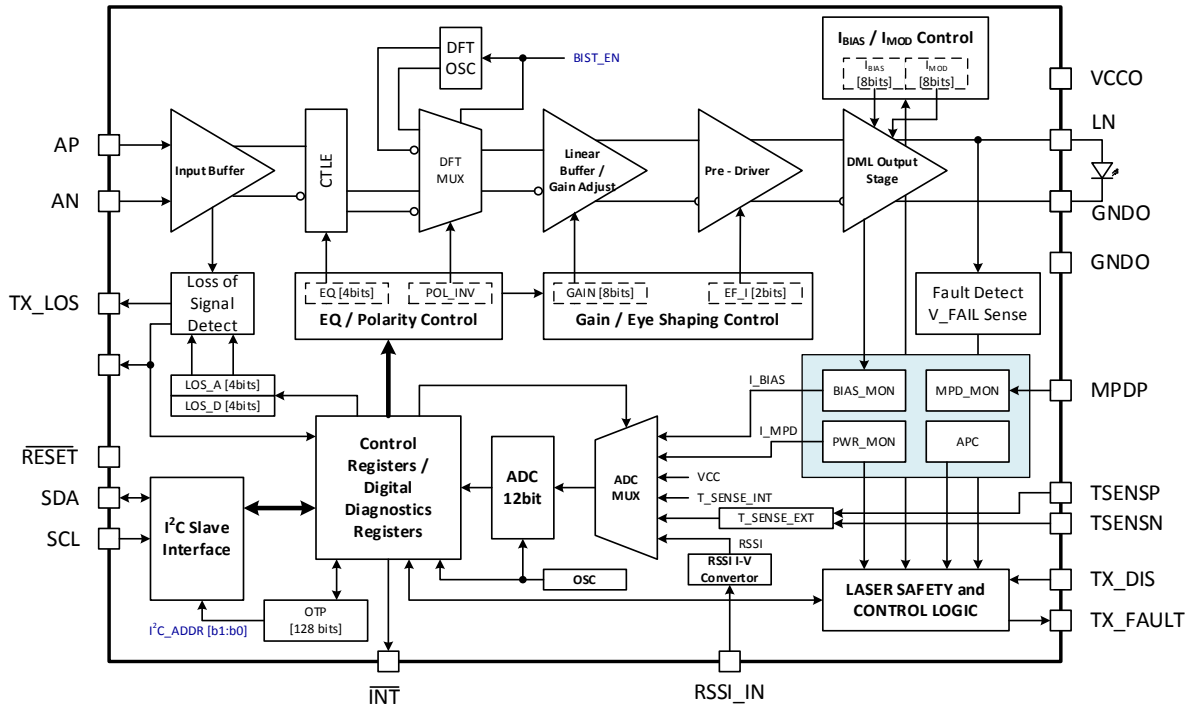


Figure 1: Functional Block Diagram of a Single Channel



Corporate  
Headquarters  
6024 Silver Creek Valley Road  
San Jose, CA 95138  
[www.IDT.com](http://www.IDT.com)

Sales  
1-800-345-7015 or  
408-284-8200  
Fax: 408-284-2775  
[www.IDT.com/go/sales](http://www.IDT.com/go/sales)

Tech Support  
[www.IDT.com/go/support](http://www.IDT.com/go/support)

DISCLAIMER Integrated Device Technology, Inc. (IDT) and its affiliated companies (herein referred to as "IDT") reserve the right to modify the products and/or specifications described herein at any time, without notice, at IDT's sole discretion. Performance specifications and operating parameters of the described products are determined in an independent state and are not guaranteed to perform the same way when installed in customer products. The information contained herein is provided without representation or warranty of any kind, whether express or implied, including, but not limited to, the suitability of IDT's products for any particular purpose, an implied warranty of merchantability, or non-infringement of the intellectual property rights of others. This document is presented only as a guide and does not convey any license under intellectual property rights of IDT or any third parties.

IDT's products are not intended for use in applications involving extreme environmental conditions or in life support systems or similar devices where the failure or malfunction of an IDT product can be reasonably expected to significantly affect the health or safety of users. Anyone using an IDT product in such a manner does so at their own risk, absent an express, written agreement by IDT.

Integrated Device Technology, IDT and the IDT logo are trademarks or registered trademarks of IDT and its subsidiaries in the United States and other countries. Other trademarks used herein are the property of IDT or their respective third party owners. For datasheet type definitions and a glossary of common terms, visit [www.idt.com/go/glossary](http://www.idt.com/go/glossary). All contents of this document are copyright of Integrated Device Technology, Inc. All rights reserved.