

Data sheet

E-DAT modul Cat.6_A 8(8) jack, T568B

Page 1/12

P/N

130910-I-B1

EAN 4250184118305

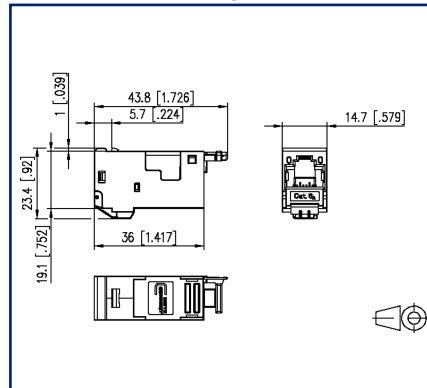
2022/07/14

Version: AV

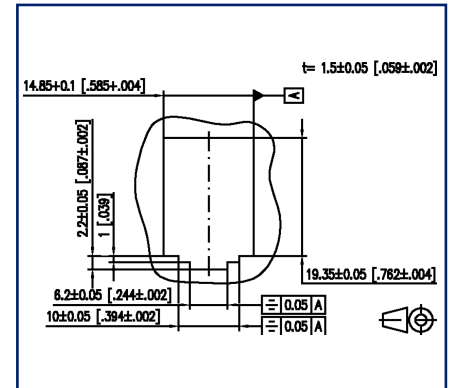
Illustrations



Dimensional drawing



Drill pattern



See enlarged drawings at the end of document

Product specification

- modular termination unit Cat.6_A, RJ45
- component testing for Cat.6_A to ISO/IEC 11801 Ed.2.2:2011-06, DIN EN 50173-1:2011-09, TIA/EIA-568-C.2 (2009-08) and IEC 60603-7-51 Ed.1 (12/2008), certified to GHMT
- compliance with class E_A to ISO/IEC 11801
- Ed.2.2:2011-06, DIN EN 50173-1:2011-09
- tested: Link up to 500 MHz
- suitable for 10 GBit Ethernet (IEEE 802.3an), Remote Powering (PoE, PoE plus, UPoE and 4PPoE) and HDBaseT
- easy to install connection of 2 to 4 pair data lines
- AWG 26/1 - 22/1 and stranded wires with 7 copper conductors AWG 26/7 - 22/7 to BTR 8-fold insulation displacement connectors (IDC)
- marking of conductor assignment to T568A or T568B
- easy and fast insertion of wire pairs in E-DAT modul stuffer cap
- module housing made of refined zinc die-casting
- mounting without special tools
- strain relief with cable tie at the module
- dust cover amounting option
- mounting version: Modul
- cable feed 180°
- delivery in a 10-piece set, available separately

P | Cabling

Data sheet

Page 2/12

E-DAT modul Cat.6_A 8(8) jack, T568B

P/N

130910-I-B1

EAN 4250184118305

2022/07/14

Version: AV

Technical Data

General Data

Mechanical measurement according to MICE	M1
Ingress measurement according to MICE	I1
Climatic measurement according to MICE	C1
Electromagnetic measurement according to MICE	E2
Design	Jack
Shielding	shielded
Transmission technology	Copper
Wiring	T568B
Color	metallike
Dimensions	
Dimension (L x W x H)	43.85 mm x 14.7 mm x 22.4 mm
Dimension (L x W x H)	1.726 in. x 0.579 in. x 0.882 in.
Weight	41.3 g
Weight	0.0911 lb
Modularity	yes
Field assembly ability	yes
Labeling option	on housing

Transmission characteristics

Category (ISO)	6 _A
Class (ISO/IEC)	E _A
Category (TIA)	6A
Remote Powering	yes
PoE	IEEE 802.3af
PoE plus	IEEE 802.3at
UPoE	yes
4PPoE	IEEE 802.3bt
HDBaseT	yes
Transmission rate up to 10 GBit	IEEE 802.3an

Technical Data

Connections/interfaces	
Connector technology interface 1	IDC-connection
Connector technology interface 2	RJ45-jack
Number of ports interface 2	1
Number of ports interface 2 equipped	1
Number of positions/contacts interface 1	8
Number of positions/contacts interface 2	8P/8C
Termination data, solid wire (min. - max.)	
Conductor cross section, solid wire	AWG 26/1 - AWG 22/1
Conductor cross section, solid wire	0.128 mm ² - 0.324 mm ²
Conductor diameter, solid wire (bare copper)	0.409 mm - 0.643 mm
Conductor diameter, solid wire (bare copper)	0.016 in. - 0.025 in.
Termination data, stranded wire (min. - max.)	
Conductor cross section, stranded wire	AWG 26/7 - AWG 22/7
Conductor cross section, stranded wire	0.141 mm ² - 0.355 mm ²
Conductor diameter, stranded wire (bare copper)	0.483 mm - 0.762 mm
Conductor diameter, stranded wire (bare copper)	0.019 in. - 0.03 in.
Cable sheath diameter (min. - max.)	
Cable sheath diameter	5.5 mm - 10.00
Cable sheath diameter	0.197 in. - 0.394
Cable access/outlet	180°
Shield connection	flexible contact spring

Electrical characteristics	
Current carrying capacity	max. 1 A
Rated voltage	max. 50 V
Contact resistance	max. 20 mOhm
Through resistance	max. 200 mOhm
Insulation resistance	min. 500 MOhm

P | Cabling

Data sheet

Page 4/12

E-DAT modul Cat.6_A 8(8) jack, T568B

P/N

130910-I-B1

EAN 4250184118305

2022/07/14

Version: AV

Technical Data

Mechanical data

Cut-out	module
Mounting method	snap-in function
Insertion and withdrawal force	max. 20 N
Position/mounting of latch standard installation position	top
strain relief	with cable tie, attached to module

Materials and material properties

Material - Housing	GD-Zn (zinc die-cast)
Material - Finish of insulation displacement contacts	Sn (tin)
Material - Contact	CuSn (tin bronze)
Material - Contact finish	Ni + Au (nickel-gold)
Material - Contact carriers	PA 6.6
Halogen free	yes
Silicone free	no paint wetting interfering substances (LaBS) in the process chain
LaBS Note	subsequent contamination possible due to handling and possible storage in your company
Material - Finish	Ni (nickel)
RoHS	compliant
REACH	compliant

Environmental conditions

Temperature (min. - max.)	
Temperature - Storage °C	-40 °C - 70 °C
Temperature - Storage °F	-40 °F - 158 °F
Temperature - Operating °C	-40 °C - 70 °C
Temperature - Operating °F	-40 °F - 158 °F

P | Cabling

Data sheet

Page 5/12

E-DAT modul Cat.6_A 8(8) jack, T568B

P/N

130910-I-B1

EAN 4250184118305

2022/07/14

Version: AV

Technical Data

Certifications

GHMT Type Approval



Component

Approvals

CE

compliant

UL listed (file no.)



DUXR.E178484

Standards/Regulations

Generic cabling systems

General requirements

ANSI/TIA-568-C

Office buildings

ISO/IEC 11801 Ed.2.2: 2011-06 | DIN EN 50173-2
ANSI/TIA-568-C

Living units

ISO/IEC 15018 | DIN EN 50173-4
ANSI/TIA-570-B

Connectors for electronic equipment

Free and fixed connectors

DIN EN 60603-7-51:2011-01

Connectors for electronic equipment - Tests and measurements

Test standard for connectors (engaging and separating connectors under electrical load)

DIN-EN 60512-99-001, DIN-EN 60512-99-002

Endurance tests

IEC 60512-9-3: 03-2009

Interference proof

Immunity for industrial environments

DIN EN 61000-6-2:2006-03

Emission proof

Electromagnetic emission for residential, commercial and light-industrial environments

DIN EN 61000-6-3:2011-09

Classifications

ETIM 5.0

EC001121

ETIM 6.0

EC001121

ETIM 7.0

EC001121

ETIM 8.0

EC001121



P | Cabling

Data sheet

Page 6/12

E-DAT modul Cat.6_A 8(8) jack, T568B

P/N

130910-I-B1

EAN 4250184118305

2022/07/14

Version: AV

Technical Data

Packing details

Type of packaging	10 pc(s) / box
Packaging unit - Weight (gram)	413 g
Packaging unit - Weight (pound)	0.91 lb
Packaging dimension	258 mm x 164 mm x 51 mm
Packaging dimension	10.157 in. x 6.457 in. x 2.008 in.

P | Cabling

Data sheet

Page 7/12

E-DAT modul Cat.6_A 8(8) jack, T568B

P/N

130910-I-B1

EAN 4250184118305

2022/07/14

Version: AV

Accessories

P/N	Designation
820032-0102-I	Dust protection cover for C6 _A modul pure white
820032-0103-I	Dust protection cover for C6 _A modul light gray
820032-0105-I	Dust protection cover for C6 _A modul yellow
820032-0106-I	Dust protection cover for C6 _A modul blue
820032-0107-I	Dust protection cover for C6 _A modul green
820032-0108-I	Dust protection cover for C6 _A modul red
820032-0129-I	Dust protection cover for C6 _A modul black

Accessories from

P/N	Designation
130861-0202-E	Modul surface mount housing 2 port pure white, unequipped
130861-0302-E	Modul surface mount housing 3 port pure white, unequipped
130861-0402-E	Modul surface mount housing 4 port pure white, unequipped
130861-0602-E	Modul surface mount housing 6 port pure white, unequipped
130861-0802-E	Modul surface mount housing 8 port pure white, unequipped
130861-1202-E	Modul surface mount housing 12 port pure white, unequipped
130861-1602-E	Modul surface mount housing 16 port pure white, unequipped
130861-2402-E	Modul surface mount housing 2x12 port pure white, unequipped
1309107003-E	REGplus IP20 E-DAT modul
1309140001-E	Modul wall outlet AP 1 port pearl white unequipped
1309140002-E	Modul wall outlet AP 1 port pure white unequipped
1309141001-E	Modul wall outlet UP 1 port pearl white unequipped
1309141002-E	Modul wall outlet UP 1 port pure white unequipped
1309141101-E	Modul wall outlet UPk 1 port pearl white unequipped
1309141102-E	Modul wall outlet UPk 1 port pure white unequipped
1309141200-E	Modul wall outlet UP0 3 port unequipped
1309150001-E	Modul wall outlet AP 2 port pearl white unequipped
1309150102-E	Modul wall outlet APFL 2 port pure white unequipped
1309151001-E	Modul wall outlet UP 2 port pearl white unequipped
1309151002-E	Modul wall outlet UP 2 port pure white unequipped
1309151101-E	Modul wall outlet UPk 2 port pearl white unequipped
1309151102-E	Modul wall outlet UPk 2 port pure white unequipped
1309151200-E	Modul wall outlet UP0 2 port unequipped
1309160001-E	Modul wall outlet AP 3 port pearl white unequipped
1309160002-E	Modul wall outlet AP 3 port pure white unequipped
1309161001-E	Modul wall outlet UP 3 port pearl white unequipped
1309161002-E	Modul wall outlet UP 3 port pure white unequipped
1309161101-E	Modul wall outlet UPk 3 port pearl white unequipped
1309161102-E	Modul wall outlet UPk 3 port pure white unequipped
130920-00-E	Modul 19 inch module frame 1RU 24 Port light gray unequipped, shielded
130920-BK-E	Modul 19 inch module frame 1RU 24 port black unequipped, shielded

E-DAT modul Cat.6_A 8(8) jack, T568B

P/N

130910-I-B1

EAN 4250184118305

2022/07/14

Version: AV

Accessories from

130920-E	E-DAT modul 24x8(8) 1RU patch panel Cat.6 _A , light gray
130921-00-E	Modul 19 inch module frame 1RU 24 port stainless steel unequipped
130921-E	E-DAT modul 24x8(8) 1RU patch panel Cat.6 _A , stainless steel
130922-00-E	6 port module frame 1RU
130922-02-E	E-DAT modul 6x8(8) 3RU patch panel Cat.6 _A
130922-03-E	E-DAT modul 6x8(8) for 1RU patch panel Cat.6 _A
130924-00-E	Modul 19 inch module frame 1.5RU 48 port stainless steel unequipped
130924-E	E-DAT modul 48x8(8) 1.5RU patch panel Cat.6 _A , stainless steel
130927-1200-E	SmartConnect Patchpanel 12 ports MC module
130927-1600-E	SmartConnect Patchpanel 16 ports MC module
130927-2400-E	SmartConnect Patchpanel 24 ports MC module
1309350301-E	Subway underfloor unit GB2 Modul 3 port unequipped pearl white
1309350601-E	Subway underfloor unit GB2 Modul 6 port unequipped pearl white
1309350901-E	Subway underfloor unit GB2 Modul 9 port unequipped pearl white
1309360301-E	Subway underfloor unit GB3 Modul 3 port unequipped pearl white
1309360601-E	Subway underfloor unit GB3 Modul 6 port unequipped pearl white
1309360901-E	Subway underfloor unit GB3 Modul 9 port unequipped pearl white
1309361201-E	Subway underfloor unit GB3 Modul 12 port unequipped pearl white
1309426003-E	E-DAT modul REG 1 port IP20 light gray
1309427103-E	Modul REGplus IP20 light gray unequipped
1309430003-E	E-DAT modul IP44 surface mounting housing unequipped
1309460003-I	Modul IP44SG surface mounting housing unequipped
1309461002-I	E-DAT modul IP44SG UP housing pure white unequipped
1309461003-I	E-DAT modul IP44SG UP housing gray unequipped
1309A07003-E	REGplus IP20 E-DAT modul coupler 180°
1309A17003-E	REGplus IP20 E-DAT modul coupler 90°
130B10D10002-E	Modul wall outlet AP 1 port pure white unequipped 43 mm
130B10D20002-E	Modul wall outlet AP 2 port pure white unequipped 43 mm
130B10D30002-E	Modul wall outlet AP 3 port pure white unequipped 43 mm

P | Cabling

Data sheet

Page 10/12

E-DAT modul Cat.6_A 8(8) jack, T568B

P/N

130910-I-B1

EAN 4250184118305

2022/07/14

Version: AV

Accessories from

130B10E2E-E	Modul module frame 3RU, 7HP 6 port stainless steel unequipped
130B117003-E	REGplus IP20 C6 _A modul 180°M
130B11P0-E	C6 _A modul 24 port 180°M 1RU
130B11P1-E	C6 _A modul 24 port 180°M 1RU stainless steel
130B11P4-E	C6 _A modul 48 port 180°M 1.5RU stainless steel
130B127003-E	REGplus IP20 C6 _A modul 270°M
130D2CBU4-E	DCCS2 subassembly 4 port unequipped



P | Cabling

Data sheet

Page 11/12

E-DAT modul Cat.6_A 8(8) jack, T568B

P/N

130910-I-B1

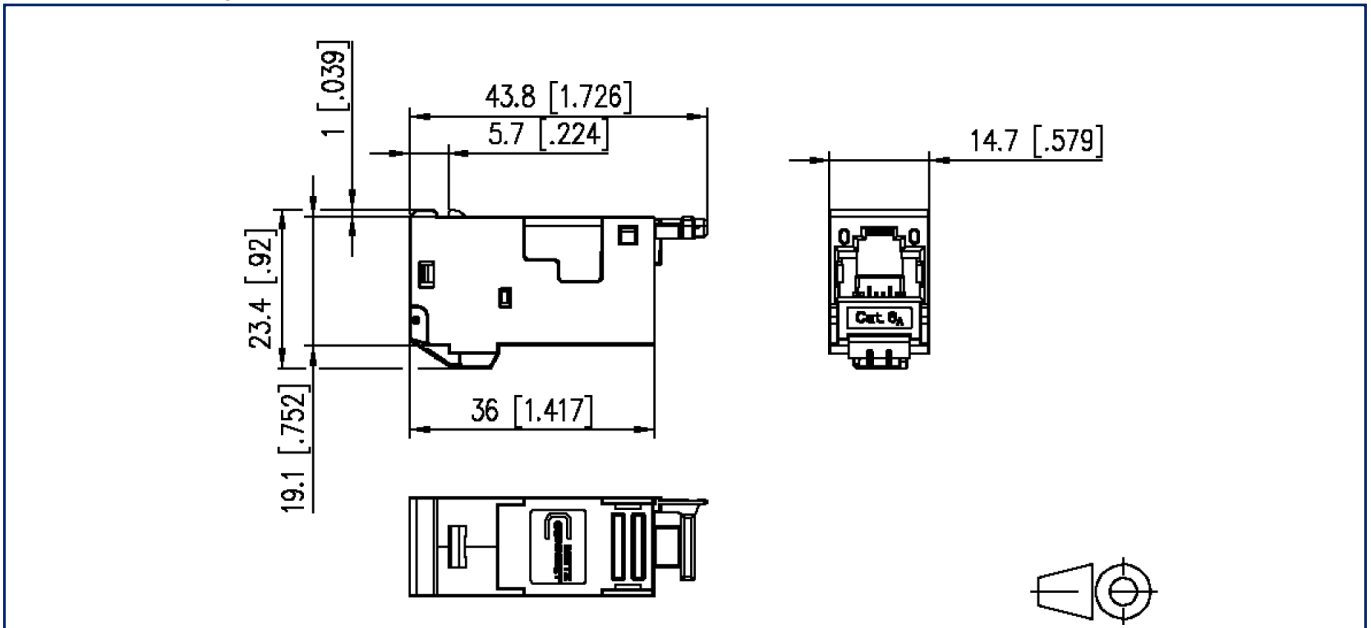
EAN 4250184118305

2022/07/14

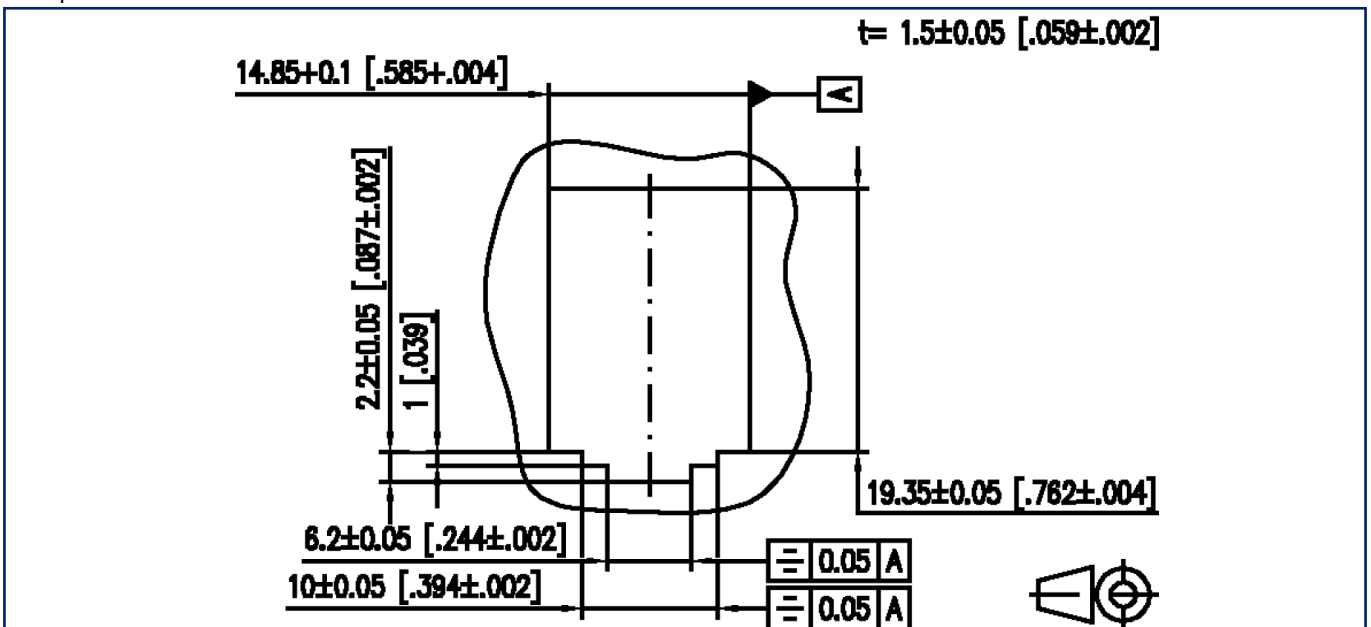
Version: AV

Illustrations

Dimensional drawing



Drill pattern



P | Cabling

Data sheet

Page 12/12

E-DAT modul Cat.6_A 8(8) jack, T568B

P/N

130910-I-B1

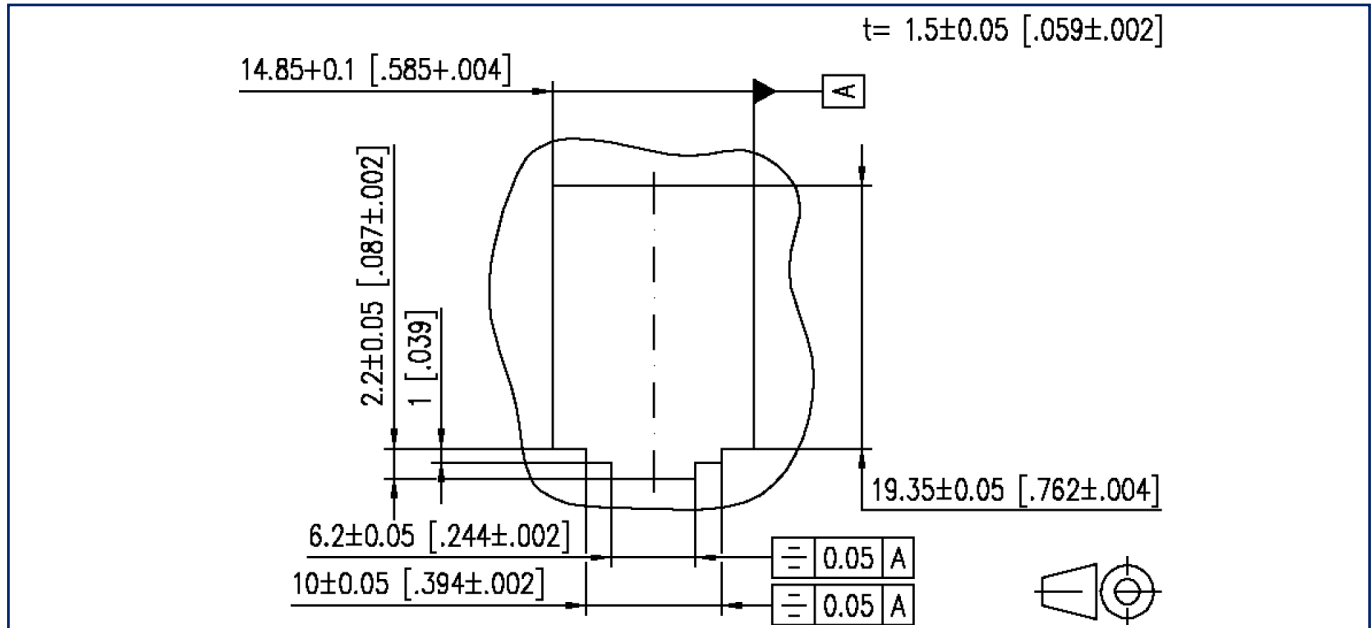
EAN 4250184118305

2022/07/14

Version: AV

Illustrations

Cut-out



Wiring diagram

