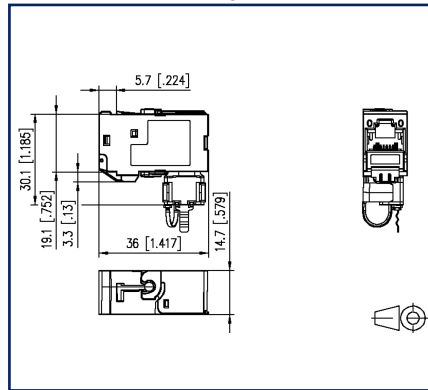


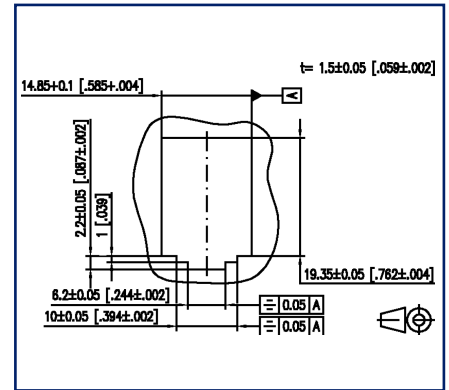
Illustrations



Dimensional drawing



Drill pattern



See enlarged drawings at the end of document

Product specification

- modular Cat.6_A termination unit RJ45
- mounting version: module, 270° cable feed
- solid, one-piece and reusable module housing refined with zinc die-casting
- mounting without special tools; strain relief directly snapped on to stuffer cap
- easy to install connection of data lines AWG 26/1 to 22/1 (solid wire) and AWG 26/7 to 22/7 (stranded wire) to insulation displacement connectors (IDC)
- intelligent cable management in stuffer cap - also suitable for heavily twisted cables
- conductor assignment to T568A and T568B is directly printed on the stuffer cap
- certified to GHMT Cat.6_A re-embedded PVP
- component testing for Cat.6_A to ISO/IEC 11801 Ed.2.2:2011-06, DIN EN 50173-1:2011-09, TIA/EIA-568-C.2 (2009-08) and IEC 60603-7-51 Ed.1 (12/2008), certified to GHMT
- compliance with class E_A up to 500 MHz to ISO/IEC 11801 Ed.2.2:2011-06, DIN EN 50173-1:2011-09
- tested: component up to 600 MHz, link up to 800 MHz
- suitable for 10 GBit Ethernet (IEEE 802.3an), Remote Powering (PoE, PoE plus, UPoE and 4PPoE) and HDBaseT

P | Cabling

Data sheet

C6_Amodul 270° jack

Page 2/10

P/N

130B12-E

EAN 4250184133452

2022/07/15

Version: AO

Technical Data

General Data

Fields of application	office areas
Mechanical measurement according to MICE	M1
Ingress measurement according to MICE	I1
Climatic measurement according to MICE	C1
Electromagnetic measurement according to MICE	E2
Design	Jack
Shielding	shielded
Transmission technology	Copper
Wiring	T568A, T568B
Color	metallike
Dimensions	
Dimension (L x W x H)	36 mm x 14.7 mm x 30.1 mm
Dimension (L x W x H)	1.417 in. x 0.579 in. x 1.185 in.
Modularity	yes
Field assembly ability	yes
Labeling option	on housing
Marking option	by latching clip

Transmission characteristics

Category (ISO)	6 _A
Class (ISO/IEC)	E _A
Category (TIA)	6A
Remote Powering	yes
PoE	IEEE 802.3af
PoE plus	IEEE 802.3at
UPoE	yes
4PPoE	IEEE 802.3bt
HDBaseT	yes
Transmission rate up to 10 GBit	IEEE 802.3an

P | Cabling

Data sheet

C6_Amodul 270° jack

Page 3/10

P/N

130B12-E

EAN 4250184133452

2022/07/15

Version: AO

Technical Data

Connections/interfaces	
Connector technology interface 1	IDC-connection
Connector technology interface 2	RJ45-jack
Number of ports interface 2	1
Number of ports interface 2 equipped	1
Number of positions/contacts interface 1	8
Number of positions/contacts interface 2	8P/8C
Termination data, solid wire (min. - max.)	
Conductor cross section, solid wire	AWG 26/1 - AWG 22/1
Conductor cross section, solid wire	0.128 mm ² - 0.324 mm ²
Conductor diameter, solid wire (bare copper)	0.409 mm - 0.643 mm
Conductor diameter, solid wire (bare copper)	0.016 in. - 0.025 in.
Termination data, stranded wire (min. - max.)	
Conductor cross section, stranded wire	AWG 26/7 - AWG 22/7
Conductor cross section, stranded wire	0.141 mm ² - 0.355 mm ²
Conductor diameter, stranded wire (bare copper)	0.483 mm - 0.762 mm
Conductor diameter, stranded wire (bare copper)	0.019 in. - 0.03 in.
Cable sheath diameter (min. - max.)	
Cable sheath diameter	5.5 mm - 10.00 mm
Cable sheath diameter	0.217 in. - 0.394
Cable access/outlet	270°

Electrical characteristics	
Current carrying capacity	max. 1 A
Rated voltage	max. 50 V
Contact resistance	max. 20 mOhm
Through resistance	max. 200 mOhm
Insulation resistance	min. 500 MOhm
Dielectric strength conductor-conductor (secondary)	max. 1000 V DC

P | Cabling

Data sheet

Page 4/10

C6_Amodul 270° jack

P/N

130B12-E

EAN 4250184133452

2022/07/15

Version: AO

Technical Data

Mechanical data

Cut-out	module
Mounting method	snap-in function
Insertion and withdrawal force	max. 30 N
Position/mounting of latch standard installation position	top
strain relief	latching clip

Materials and material properties

Material - Housing	GD-Zn (zinc die-cast)
Material - Contact	Spring steel
Material - Contact finish	Au (gold)
Material - Shield	GD-Zn (zinc die-cast)
Material - Stuffer cap	PA 6.6 UL94 V0
Material - Strain relief	PA 6.6 UL94 V0
Halogen free	yes
Silicone free	no paint wetting interfering substances (LaBS) in the process chain
LaBS Note	subsequent contamination possible due to handling and possible storage in your company
Material - Finish	Ni (nickel)
RoHS	compliant
REACH	compliant

Environmental conditions

Rapid change of temperature	-40°C / -40°F - +70°C / 158°F / 25 cycles t=30 min
-----------------------------	--

Certifications

GHMT PVP		yes
----------	---	-----

P | Cabling

Data sheet

Page 5/10

C6_Amodul 270° jack

P/N

130B12-E

EAN 4250184133452

2022/07/15

Version: AO

Technical Data

Approvals

CE	compliant	
UL listed (file no.)		DUXR.E178484

Standards/Regulations

Generic cabling systems		
General requirements	ANSI/TIA-568-C	
Office buildings	ISO/IEC 11801 Ed.2.2: 2011-06 DIN EN 50173-2 ANSI/TIA-568-C	
Living units	ISO/IEC 15018 DIN EN 50173-4 ANSI/TIA-570-B	
Connectors for electronic equipment		
Free and fixed connectors	IEC 60603-7-51	
Connectors for electronic equipment - Tests and measurements		
Test standard for connectors (engaging and separating connectors under electrical load)	DIN-EN 60512-99-001, DIN-EN 60512-99-002	
Endurance tests	IEC 60512-9-3: 03-2009	
Interference proof		
Immunity for industrial environments	DIN EN 61000-6-2:2006-03	
Emission proof		
Electromagnetic emission for residential, commercial and light-industrial environments	DIN EN 61000-6-3:2011-09	
Climate tests	IEC 60512-11	

Classifications

ETIM 5.0	EC001121
ETIM 6.0	EC001121
ETIM 7.0	EC001121
ETIM 8.0	EC001121

P | Cabling

Data sheet

C6_Amodul 270° jack

Page 6/10

P/N

130B12-E

EAN 4250184133452

2022/07/15

Version: AO

Technical Data

Packing details

Type of packaging	10 pc(s) / box
Packaging unit - Weight (gram)	420 g
Packaging unit - Weight (pound)	0.93 lb
Packaging dimension	258 mm x 164 mm x 51 mm
Packaging dimension	10.157 in. x 6.457 in. x 2.008 in.



P | Cabling

Data sheet

C6_Amodul 270° jack

Page 7/10

P/N

130B12-E

EAN 4250184133452

2022/07/15

Version: AO

Accessories

P/N	Designation
820032-0102-I	Dust protection cover for C6 _A modul pure white
820032-0103-I	Dust protection cover for C6 _A modul light gray
820032-0105-I	Dust protection cover for C6 _A modul yellow
820032-0106-I	Dust protection cover for C6 _A modul blue
820032-0107-I	Dust protection cover for C6 _A modul green
820032-0108-I	Dust protection cover for C6 _A modul red
820032-0129-I	Dust protection cover for C6 _A modul black

P | Cabling

Data sheet

C6_Amodul 270° jack

Page 8/10

P/N

130B12-E

EAN 4250184133452

2022/07/15

Version: AO

Accessories from

P/N	Designation
13005AP300-E	W-DAT Line PoE Access Point UP0 plug
1309107003-E	REGplus IP20 E-DAT modul
1309413003-E	E-DAT Industry IP67 V6 EbM
1309413203-E	E-DAT Industry IP67 V6 EbM with mounting kit
1309427103-E	Modul REGplus IP20 light gray unequipped
1309A07003-E	REGplus IP20 E-DAT modul coupler 180°
1309A17003-E	REGplus IP20 E-DAT modul coupler 90°
130B117003-E	REGplus IP20 C6 _A modul 180°M
130B127003-E	REGplus IP20 C6 _A modul 270°M

P | Cabling

Data sheet

C6_Amodul 270° jack

Page 9/10

P/N

130B12-E

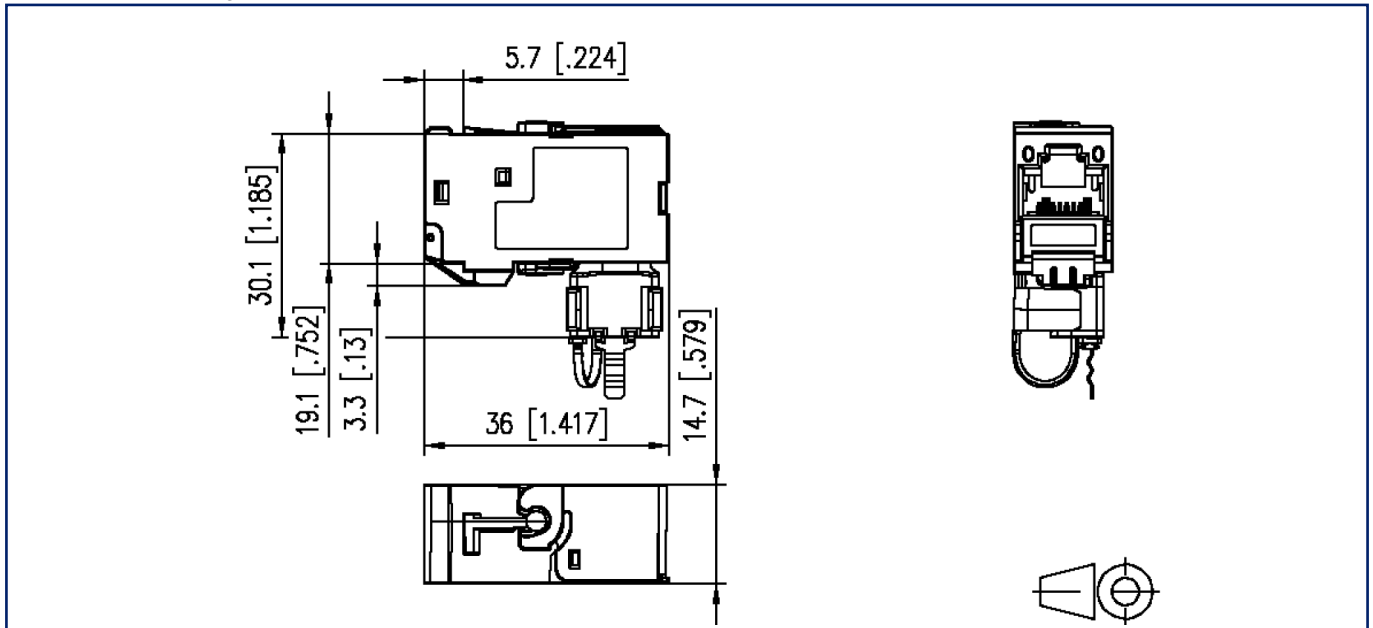
EAN 4250184133452

2022/07/15

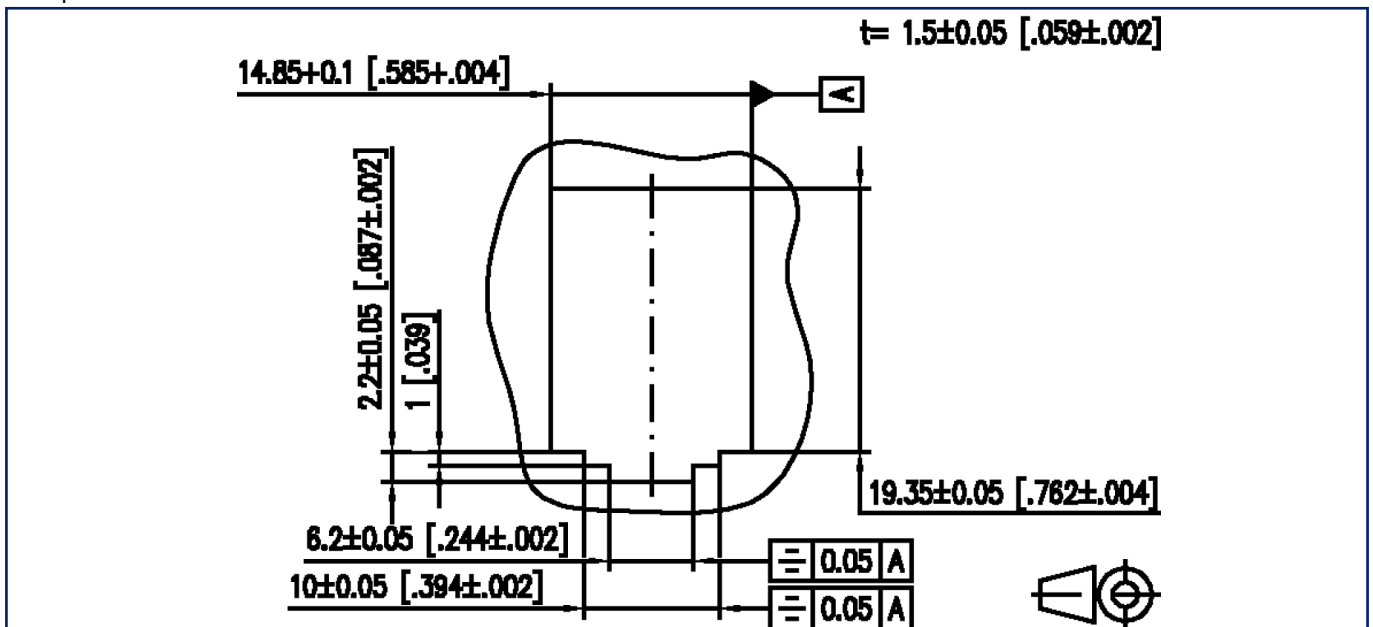
Version: AO

Illustrations

Dimensional drawing



Drill pattern



P | Cabling

Data sheet

Page 10/10

C6_A modul 270° jack

P/N

130B12-E

EAN 4250184133452

2022/07/15

Version: AO

Illustrations

Cut-out

