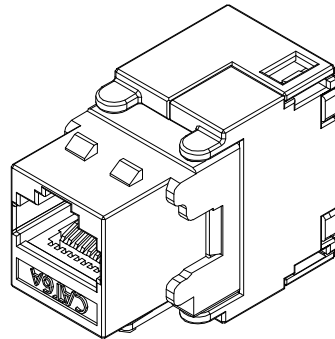
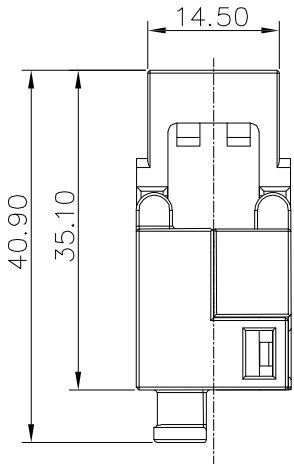
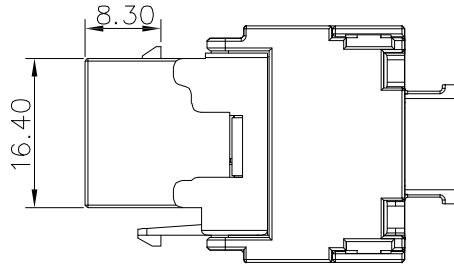
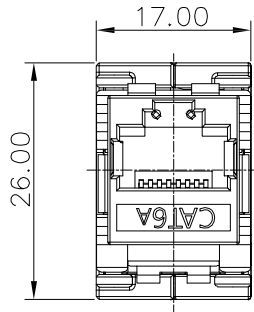
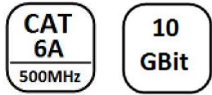


Keystone module, design compatible, CAT 6A, shielded



- NOTES:
General information:
1. Tool-free Installation
2. Shielded
3. Transmission Properties: CAT 6A
4. Area of Application: 500MHz, 10Gbit
5. Standard: ISO/IEC 11801 ; TIA/EIA 568-C

- ELECTRICAL:
1. VOLTAGE RATING: 125VAC.
2. CURRENT RATING: 1.5AMP.
3. CONTACT RESISTANCE: 100mΩ MAX.
4. INSULATION RESISTANCE: 1000 MΩ MIN. @ 500 VDC.
5. DIELECTRIC STRENGTH: 750 VAC 60Hz, 1 MIN.
6. C6 CONNECTING HARDWARE:
CONFORM TO ANSI/TIA/EIA-568 B.2-1

- MECHANICAL:
1. HOUSING MATERIAL: PC UL94V-0 WHITE
2. INSERT MATERIAL: PBT+30%GF UL94V-0 WHITE
3. SHELL: Die casting Zinc alloy
4. PCB MATERIAL: FR-4
5. CONTACT MATERIAL: PHOSPHOR BRONZE
50u" selective GOLD PLATING
6. IDC CONTACT MATERIAL: PHOSPHOR BRONZE t=0.50mm
7. WIRE: 22~26AWG
⑧ MATING CYCLES: 750 CYCLES MIN.
⑨ PoE RATING: IEEE 802.3AF AND IEEE 802.3AT

- ENVIRONMENTAL:
1. STORAGE: -40°C TO +85°C
2. OPERATION: -40°C TO +85°C

CONFORMING TO TIA/EIA 568B
MATES WITH MODULAR PLUG CONFORMING TO TIA-1096-A

Package: 1pcs/PE bag ; 20pcs/box

RoHS compliant
Unit: mm

Scale	Free					Date	Name	Customer-No.	
TOLERANCE					Drawn	12.06.2018	Xavier		
X.X	±0.20				Approved	12.06.2019	Amy	ASSMANN WSW-No.	
X.XX	±0.15							A-KEY-8-EG-GIB-S1	
X.XXX	±0.10							Drawing-No.	
DIM	TOL	①	Add mating cycles and PoE rating	12.06.2019	Amy			ASS 7982 CO	rev01
		②	Drawn	12.06.2018	Xavier			Replace	Sheet
Angle	±5°	Id.	Modification	Date	Name				