

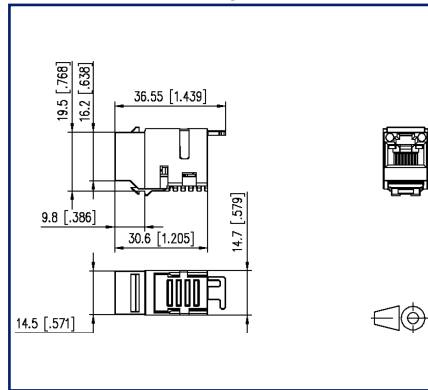
Data sheet

UTP modul 8(8) Cat.6 black

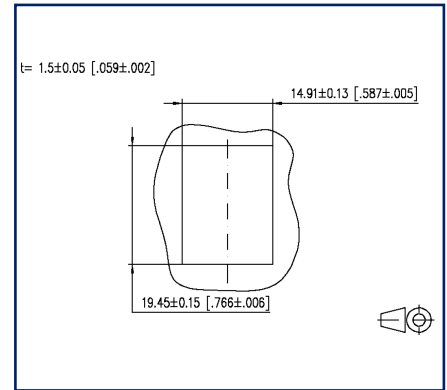
Illustrations



Dimensional drawing



Cut-out



See enlarged drawings at the end of document

Product specification

- unshielded Cat.6 class E UTP module
- suitable for 1 GBit Ethernet (IEEE 802.3an), Remote Powering (PoE, PoE plus, UPoE and 4PPoE) and HDBaseT
- compliance with class E to ISO/IEC 11801 Ed.2.2:2011-06, DIN EN 50173-1:2011-09
- suitable for Remote Powering (PoE, PoE plus and UPoE) and HDBaseT
- easy to install connection of 2 to 4 pair data cables AWG 26/1 to 22/1 (solid wire) and stranded wires with 7 copper conductors AWG 26/7 to 22/7 to insulation displacement connectors (IDC)
- optional strain relief with cable tie at UTP module
- installation shape: Keystone
- variants: designation of conductor colors marking to T568A and T568A, housing colors white or black

P | Cabling

Data sheet

Page 2/8

UTP modul 8(8) Cat.6 black

P/N

130A10-29-I-B1

EAN 4250184118381

2022/12/16

Version: AK

Technical Data

General Data

Mechanical measurement according to MICE	M1
Ingress measurement according to MICE	I1
Climatic measurement according to MICE	C1
Electromagnetic measurement according to MICE	E1
Design	Jack
Shielding	unshielded
Transmission technology	Copper
Wiring	T568A, T568B
Color	black
Dimensions	
Dimension (L x W x H)	36.55 mm x 14.7 mm x 19.5 mm
Dimension (L x W x H)	1.439 in. x 0.579 in. x 0.768 in.
Modularity	yes
Labeling option	on housing

Transmission characteristics

Category (ISO)	6
Class (ISO/IEC)	E
Category (TIA)	6
Remote Powering	yes
PoE	IEEE 802.3af
PoE plus	IEEE 802.3at
UPoE	yes
4PPoE	IEEE 802.3bt
HDBaseT	yes

Connections/interfaces

Connector technology interface 1	IDC-connection
Connector technology interface 2	RJ45-jack
Number of ports interface 2	1
Number of ports interface 2 equipped	1
Number of positions/contacts interface 1	8
Number of positions/contacts interface 2	8P/8C



P | Cabling

Data sheet

Page 3/8

UTP modul 8(8) Cat.6 black

P/N

130A10-29-I-B1

EAN 4250184118381

2022/12/16

Version: AK

Technical Data

Connections/interfaces

Termination data, solid wire (min. - max.)

Conductor cross section, solid wire	AWG 26/1 - AWG 22/1
Conductor cross section, solid wire	0.128 mm ² - 0.324 mm ²
Conductor diameter, solid wire (bare copper)	0.409 mm - 0.643 mm
Conductor diameter, solid wire (bare copper)	0.016 in. - 0.025 in.
Termination data, stranded wire (min. - max.)	
Conductor cross section, stranded wire	AWG 26/7
Conductor cross section, stranded wire	0.141 mm ²
Conductor diameter, stranded wire	0.483 mm
Conductor diameter, stranded wire	0.019 in.
Cable access/outlet	180°

Electrical characteristics

Current carrying capacity	max. 1 A
Rated voltage	max. 50 V
Contact resistance	max. 20 mOhm
Through resistance	max. 200 mOhm
Insulation resistance	min. 500 MOhm
Dielectric strength conductor-conductor (secondary)	min. 1000 V DC

Mechanical data

Cut-out	Keystone
Mounting method	snap-in function
Insertion and withdrawal force	max. 20 N
Life - Number of mating cycles	min. 750
Position/mounting of latch standard installation position	bottom
strain relief	with cable tie, attached to module

P | Cabling

Data sheet

Page 4/8

UTP modul 8(8) Cat.6 black

P/N

130A10-29-I-B1

EAN 4250184118381

2022/12/16

Version: AK

Technical Data

Materials and material properties

Material - Housing	PA 6.6 UL94 V0
Material - Contact	CuSn (tin bronze)
Material - Contact finish	Ni + Au (nickel-gold)
Material - Stuffer cap	PA 6.6 UL94 V0
Material - Strain relief	PA 6.6 UL94 V0
Halogen free	yes
Silicone free	no paint wetting interfering substances (LaBS) in the process chain
LaBS Note	subsequent contamination possible due to handling and possible storage in your company
RoHS	compliant
REACH	compliant

Environmental conditions

Temperature (min. - max.)	
Temperature - Storage °C	-40 °C - 70 °C
Temperature - Storage °F	-40 °F - 158 °F
Temperature - Operating °C	-40 °C - 70 °C
Temperature - Operating °F	-40 °F - 158 °F
Rapid change of temperature	-40°C / -40°F - +70°C / 158°F / 25 cycles t=30 min

Approvals

UL listed (file no.)



DUXR.E178484

Standards/Regulations

Generic cabling systems	
General requirements	ANSI/TIA-568-C
Office buildings	ISO/IEC 11801 Ed.2.2: 2011-06 DIN EN 50173-2 ANSI/TIA-568-C
Living units	ISO/IEC 15018 DIN EN 50173-4 ANSI/TIA-570-B

P | Cabling

Data sheet

Page 5/8

UTP modul 8(8) Cat.6 black

P/N

130A10-29-I-B1

EAN 4250184118381

2022/12/16

Version: AK

Technical Data

Standards/Regulations

Connectors for electronic equipment

Free and fixed connectors	DIN EN 60603-7-4:2011-03
---------------------------	--------------------------

Connectors for electronic equipment - Tests and measurements

Test standard for connectors (engaging and separating connectors under electrical load)	DIN-EN 60512-99-001, Pg. UEL1
---	-------------------------------

Endurance tests	IEC 60512-9-3: 03-2009
-----------------	------------------------

Emission proof

Climate tests	IEC 60512-11
---------------	--------------

Classifications

ETIM 5.0	EC001121
----------	----------

ETIM 6.0	EC001121
----------	----------

ETIM 7.0	EC001121
----------	----------

ETIM 8.0	EC001121
----------	----------

Packing details

Type of packaging	10 pc(s) / box
-------------------	----------------

Packaging unit - Weight (gram)	186 g
--------------------------------	-------

Packaging unit - Weight (pound)	0.41 lb
---------------------------------	---------

Packaging dimension	258 mm x 164 mm x 51 mm
---------------------	-------------------------

Packaging dimension	10.157 in. x 6.457 in. x 2.008 in.
---------------------	------------------------------------

P | Cabling

Data sheet

Page 6/8

UTP modul 8(8) Cat.6 black

P/N

130A10-29-I-B1

EAN 4250184118381

2022/12/16

Version: AK

Accessories from

P/N	Designation
130861-0202KE	Keystone surface mount housing 2 port pure white, unequipped
130861-0302KE	Keystone surface mount housing 3 port pure white, unequipped
130861-0402KE	Keystone surface mount housing 4 port pure white, unequipped
130861-0602KE	Keystone surface mount housing 6 port pure white, unequipped
130861-0802KE	Keystone surface mount housing 8 port pure white, unequipped
130861-1202KE	Keystone surface mount housing 12 port pure white, unequipped
130861-1602KE	Keystone surface mount housing 16 port pure white, unequipped
130861-2402KE	Keystone surface mount housing 2x12 port pure white, unequipped
130910D1APLKE	Extension box APZ 1 port E-DAT modul Keystone
130910D2APLKE	Extension box APZ 2 port E-DAT modul keystone
130920-00KE	Keystone 19 inch module frame 1RU 24 port light gray unequipped, shielded
130920-BKKE	Keystone 19 inch module frame 1RU 24 port black unequipped, shielded
130925-BKKE	Keystone 19 inch module frame 0.5RU 24 port black unequipped
130925-GRKE	Keystone 19 inch module frame 0.5RU 24 port gray unequipped
130926-0003KE	Keystone 19 inch module frame 1RU 24 port grey unequipped, shielded
130926-0029KE	Keystone 19 inch module frame 1RU 24 port black unequipped, shielded
130926A0003KE	Keystone 19 inch module frame 1RU 24 port angeled grey unequipped, shielded
130926A0029KE	Keystone 19 inch module frame 1RU 24 port angeled black unequipped, shielded
130926AA029KE	Keystone 19 inch module frame 1RU 24 ports 133° angled, black, unequipped, shielded
130927-1200KE	SmartConnect Patchpanel 12 port Keystone, unequipped
1309428103-E	Keystone REGplus IP20 light gray unequipped
1309A0D1APLKE	Extension box APZ, 1 port, E-DAT coupler
1309A0D2APLKE	Extension box APZ, 2 port, E-DAT coupler
130A20-00-E	Keystone 19 inch module frame 1RU 24 port light gray unequipped, unshielded
130A20-BK-E	Keystone 19 inch module frame 1RU 24 port black unequipped, unshielded
130A21-00-E	Keystone 19 inch module frame 1RU 24 port stainless steel unequipped
130A24-00-E	Keystone 19 inch module frame 1.5RU 48 port stainless steel unequipped

P | Cabling

Data sheet

Page 7/8

UTP modul 8(8) Cat.6 black

P/N

130A10-29-I-B1

EAN 4250184118381

2022/12/16

Version: AK

Accessories from

130B20E2E-E	Keystone module frame 3RU, 7HP 6 port stainless steel unequipped
130B21D1APL-E	Extension box APZ 1 port C6 _A modul Keystone
130B21D2APL-E	Extension box APZ 2 port C6 _A modul Keystone
130D2CKU4-E	DCCS2 subassembly 4 port unequipped - Keystone



P | Cabling

Data sheet

UTP modul 8(8) Cat.6 black

Page 8/8

P/N

130A10-29-I-B1

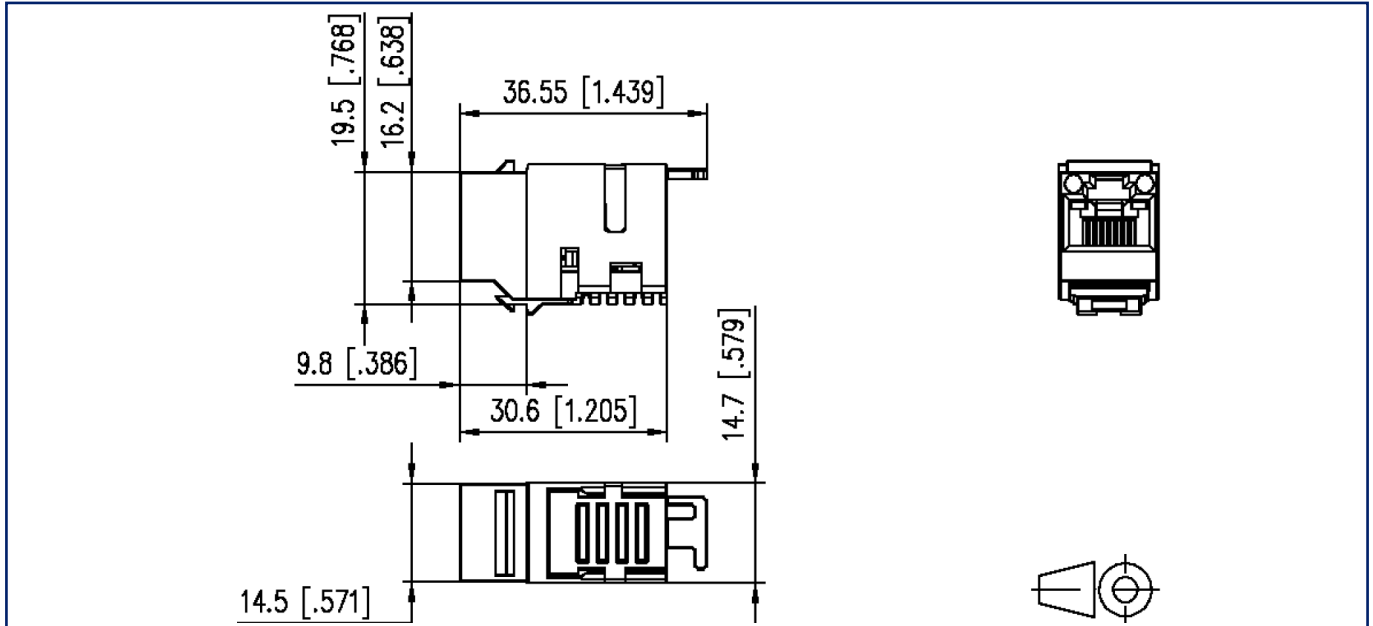
EAN 4250184118381

2022/12/16

Version: AK

Illustrations

Dimensional drawing



Cut-out

