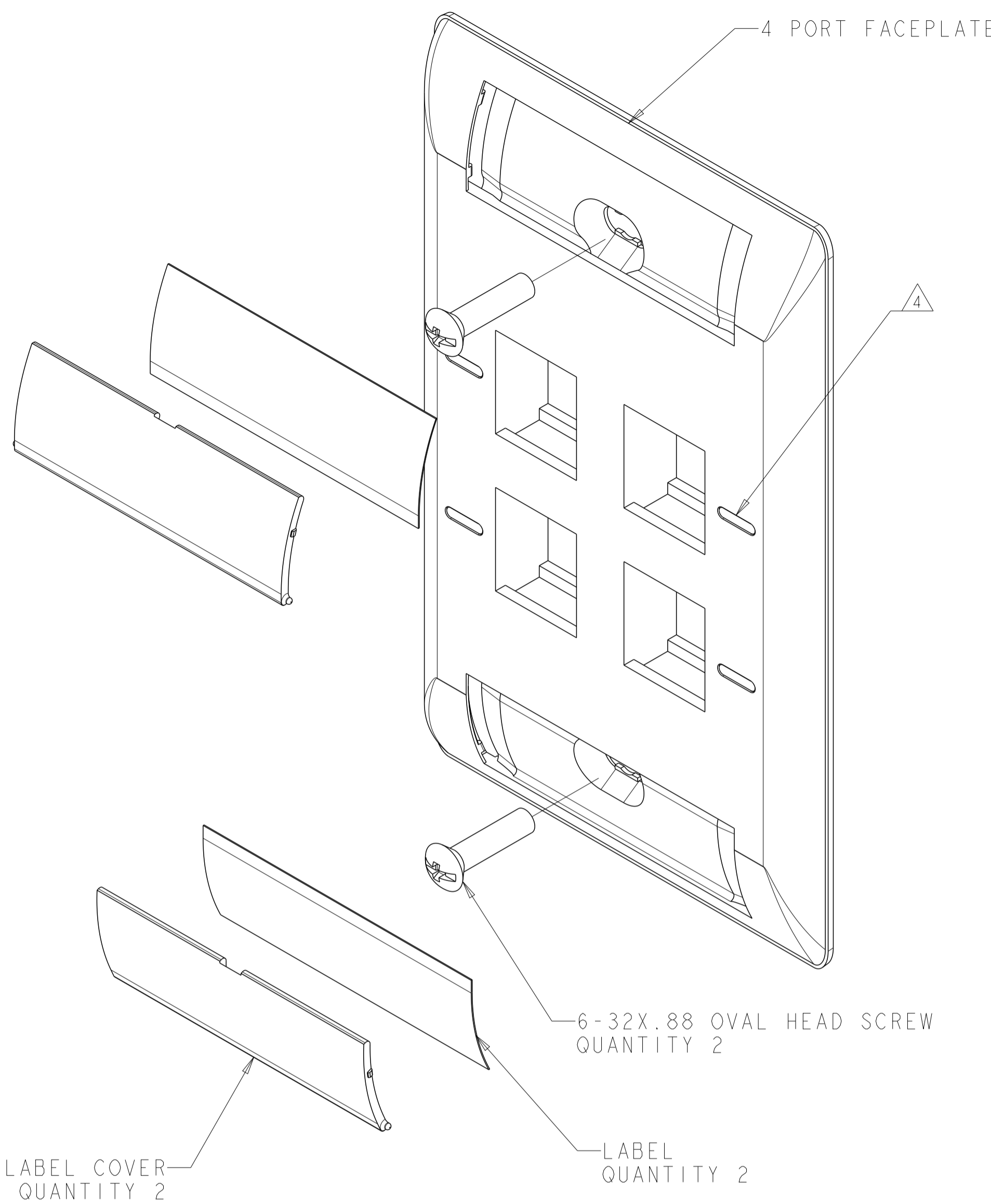
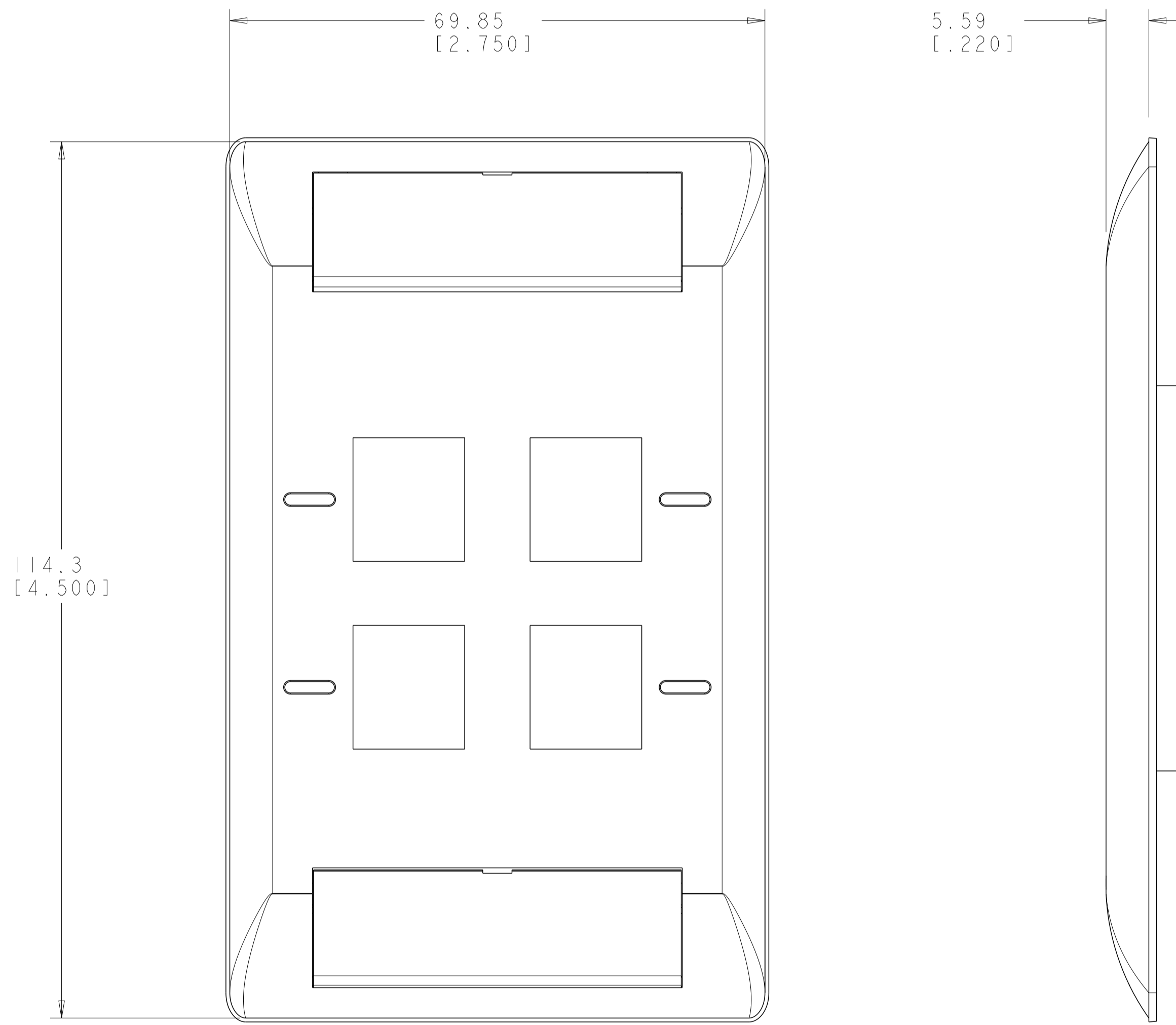


| REVISIONS | | | | |
|-----------|-----|---------------------|-----------|-------|
| P. | LTN | DESCRIPTION | DATE | APP'D |
| A | | RLSD; ECO-10-002954 | 09FEB2010 | GG RA |
| B | | REV; 40026397MCO | 11NOV2015 | GG LS |
| | | | | |



- ⚠ DIMENSIONS ARE NOMINAL UNLESS OTHERWISE SPECIFIED.
- ⚠ MATERIAL:
FACEPLATE - POLYCARBONATE MOLDING COMPOUND. SEE TABLE FOR COLORS.
SCREWS - ZINC PLATED CARBON STEEL.
LABEL COVER - POLYCARBONATE MOLDING COMPOUND, CLEAR.
LABEL - WHITE INDEX PAPER.
- 3. THIS KIT SHIPPED NOT ASSEMBLED.
- ⚠ MOLD OVER ICON FEATURE.



| | |
|----------------|-------------|
| ALPINE WHITE | 1-2111011-3 |
| ELECTRIC IVORY | 1-2111011-1 |
| NEMA GRAY | 2111011-4 |
| BLACK | 2111011-2 |
| LIGHT ALMOND | 2111011-1 |
| COLOR | PART NUMBER |

THIS DRAWING IS A CONTROLLED DOCUMENT.

| | | | | | | | | |
|-------------------------|--|---------|---------|---------|---------|---------|----------|--------|
| DIMENSIONS: MM [INCHES] | TOLERANCES UNLESS OTHERWISE SPECIFIED: | 0 PLC ± | 1 PLC ± | 2 PLC ± | 3 PLC ± | 4 PLC ± | ANGLES ± | FINISH |
| | | ± | ± | ± | ± | ± | ± | |
| | | ⚠ | ⚠ | ⚠ | ⚠ | ⚠ | ⚠ | ⚠ |

MATERIAL:
 FINISH:
 WEIGHT:
 CUSTOMER DRAWING

DWN: G. GARRETT 31MAR2009
 CHK: R. ASHBY 31MAR2009
 APP'D: R. ASHBY 31MAR2009
 PRODUCT SPEC:
 APPLICATION SPEC:
 SIZE: A100779 C=2111011
 SCALE: 2:1 SHEET 1 OF 1 REV B

STE TE Connectivity
 NAME: KIT, FACEPLATE, COMMERCIAL, SINGLE GANG, 4 PORT
 RESTRICTED TO: