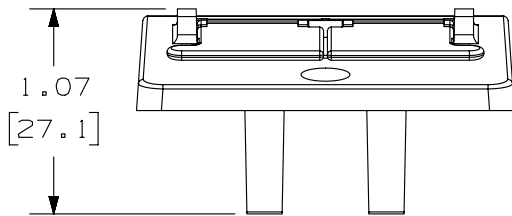
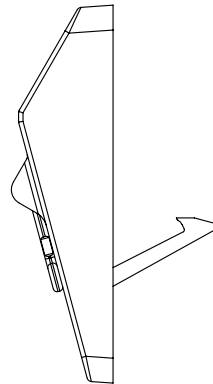
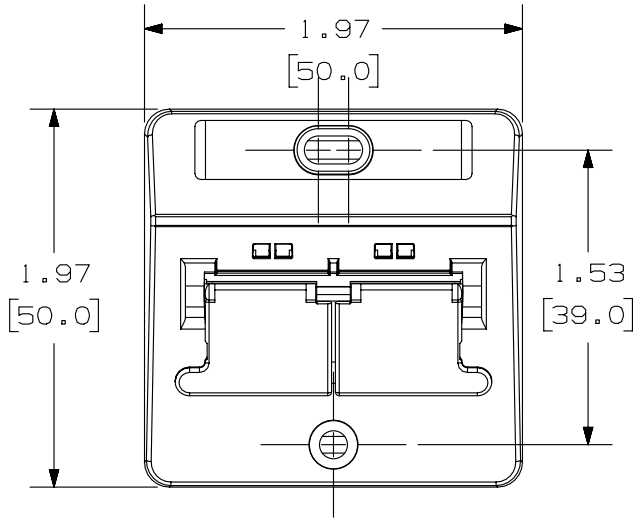


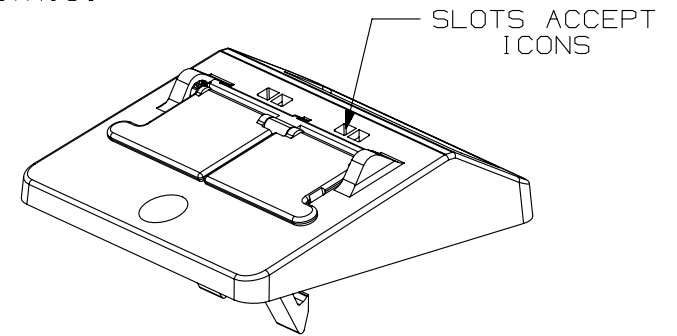
THIS COPY IS PROVIDED ON A RESTRICTED BASIS AND IS NOT TO BE USED IN ANY WAY DETRIMENTAL TO THE INTERESTS OF PANDUIT CORP.



PANDUIT P/N	WEIGHT
CHES2S**Y	.79 LB/10 PCS (356.5g/10 PCS)

NOTES:

- SEE CURRENT CATALOG FOR ADDITIONAL PART NUMBER SUFFIXES TO INDICATE COLOR AND OR PACKAGE QUANTITY.
- SEE CATALOG FOR COMPLETE LIST OF PARTS APPLICABLE FOR USE WITH THIS PART.
- PART INCLUDES:
 - 1- FACEPLATE
 - 1- LABEL
 - 1- LABEL COVER
 - 2- MOUNTING SCREW
 - 1- SUPPORT RING
- DIMENSIONS IN PARENTHESES ARE IN METRIC.



PART NUMBER		CHES2S**Y	
TITLE			
MINI-COM 2 POSITION SLOPED SHUTTERED 50mm X 50mm FACEPLATE			
CUSTOMER DRAWING			
ITEM REVISION NAME		M00764AA/02	
DATASET FILE NAME		M00764AA_DC/02A	
UNLESS OTHERWISE SPECIFIED, DIMENSIONAL TOLERANCES ARE: IN [mm]		MATERIAL:	
.x ± .xxx ± .010 [.3]		ABS	
.xx ± .03 [.8] ANGLES ±		DRAWING NUMBER:	
THIRD ANGLE PROJECTION		00764-06	
DRAWN BY	DATE	CHK	SCALE
JSP	5-4-00	SEZ	NONE
REV	DATE	BY	CHK
1	4/23/14	JSP	SEZ
R	5-4-00	JSP	SEZ
APR	DESCRIPTION		ECN
	A. REVISED DRAWING TITLE BLOCK.		00764-06
	RELEASED TO PRODUCTION		00764-06
SHT 1 OF 1		SIZE A	

D10100DA/14

2

1

2

1