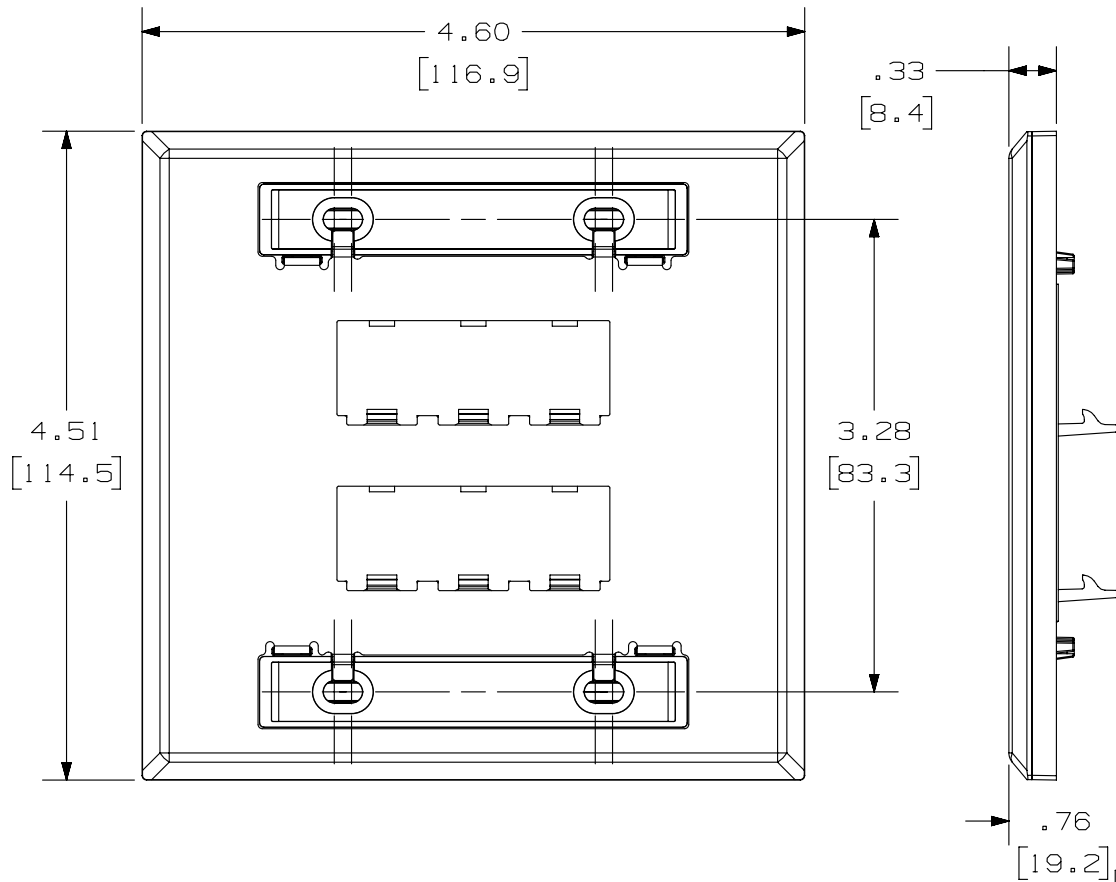


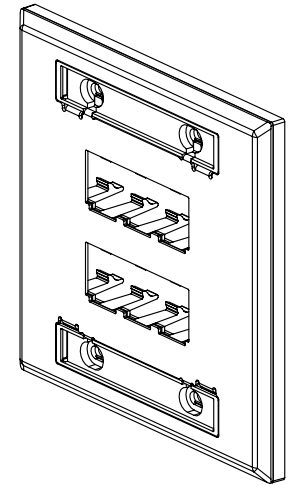
THIS COPY IS PROVIDED ON A RESTRICTED BASIS AND IS NOT TO BE USED IN ANY WAY DETRIMENTAL TO THE INTERESTS OF PANDUIT CORP.

PANDUIT P/N	WEIGHT
CFPL6S-2GY	2.33 LB/10 PCS (1056.9g/10 PCS)



NOTES:

- SEE CURRENT CATALOG FOR ADDITIONAL PART NUMBER SUFFIXES TO INDICATE COLOR AND OR PACKAGE QUANTITY.
- SEE CATALOG FOR COMPLETE LIST OF PARTS APPLICABLE FOR USE WITH THIS PART.
- DIMENSIONS IN [] ARE IN METRIC.
- PART INCLUDES:
1- FACEPLATE
4- #6-32 X 1" MOUNTING SCREWS
2- LABEL
2- LABEL COVER



PART NUMBER		CFPL6S-2GY	
TITLE			
MINI-COM 6 POSITION STAINLESS STEEL DOUBLE GANG FACEPLATE WITH LABEL/COVER			
CUSTOMER DRAWING			
ITEM REVISION NAME		M02093AM/00	
DATASET FILE NAME		M02093AM_DC/00C	
UNLESS OTHERWISE SPECIFIED, DIMENSIONAL TOLERANCES ARE: IN [mm]		MATERIAL:	
.x ± .xxx ± .010 [.3]		FACEPLATE- 304 S.S.	
.xx ± .03 [.8]		BACKING- ABS	
ANGLES ±		DRAWING NUMBER:	
THIRD ANGLE PROJECTION		02093-24	
DRAWN BY	DATE	CHK	SCALE
JSP	6-15-06	JCO	NONE
SHT 1 OF 1			SIZE
			A

3	4/15/14	JSP	REFR	MMR	REVISED AND REDRAWN, PREVIOUS REVISIONS HAVE BEEN OMITTED.	02093-24
REV	DATE	BY	CHK	APR	DESCRIPTION	ECN

D10100DA/14