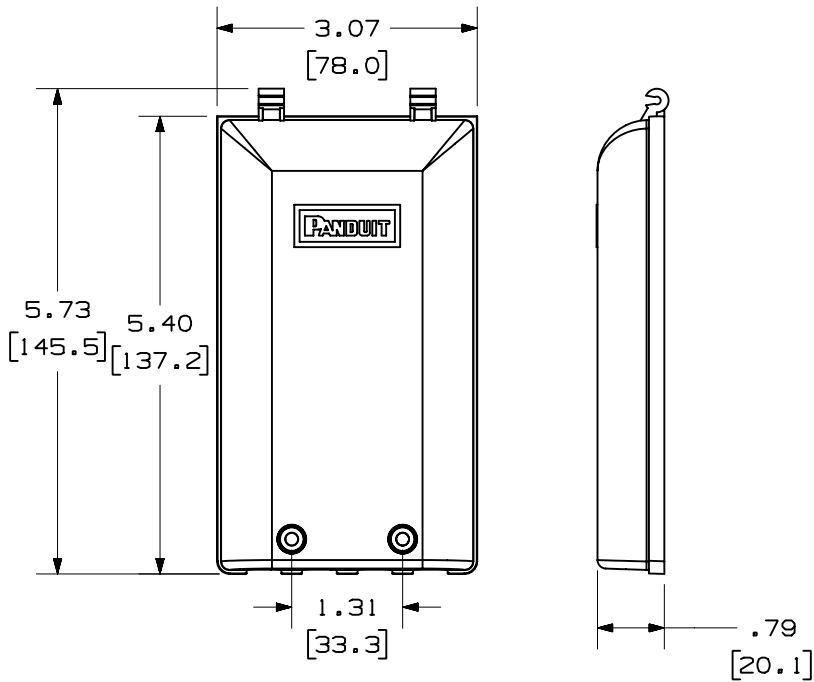


THIS COPY IS PROVIDED ON A RESTRICTED BASIS AND IS NOT TO BE USED IN ANY WAY DETRIMENTAL TO THE INTERESTS OF PANDUIT CORP.



USE A 5/64" HEX KEY TOOL WITH THE TAMPER RESISTANT SCREW.

| PANDUIT P/N | WEIGHT |
|-------------|-------------------------------------|
| CFPWR4** | 2.89 LB/10 PCS (1309.1 g/10 PCS) |

NOTES:

1. SEE CURRENT CATALOG FOR ADDITIONAL PART NUMBER SUFFIXES TO INDICATE COLOR AND OR PACKAGE QUANTITY.
2. SEE CATALOG FOR A COMPLETE LIST OF PARTS APPLICABLE FOR USE WITH THIS PART.
3. DIMENSIONS IN PARENTHESES ARE IN METRIC.
4. ALSO INCLUDED WITH BOX:
 - a. (2) MOUNTING SCREW #6-32 X 1" (SECURES FACEPLATE TO WALL)
 - b. (2) COVER SCREW #6-32 X 1.25" COMBINATION PAN HEAD (SECURES COVER TO BASE)
 - c. (1) BASE
 - d. (1) COVER
 - e. (1) TOP/BOTTOM CABLE GASKET
 - f. (1) BACK SEAL GASKET
 - g. (2) TAMPER RESISTANT COVER SCREW #6-32 X 1.25" HEX BUTTON HEAD (SECURES COVER TO BASE)



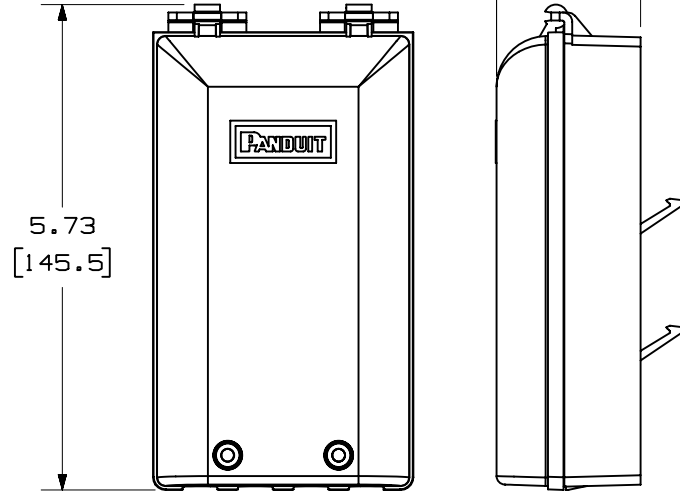
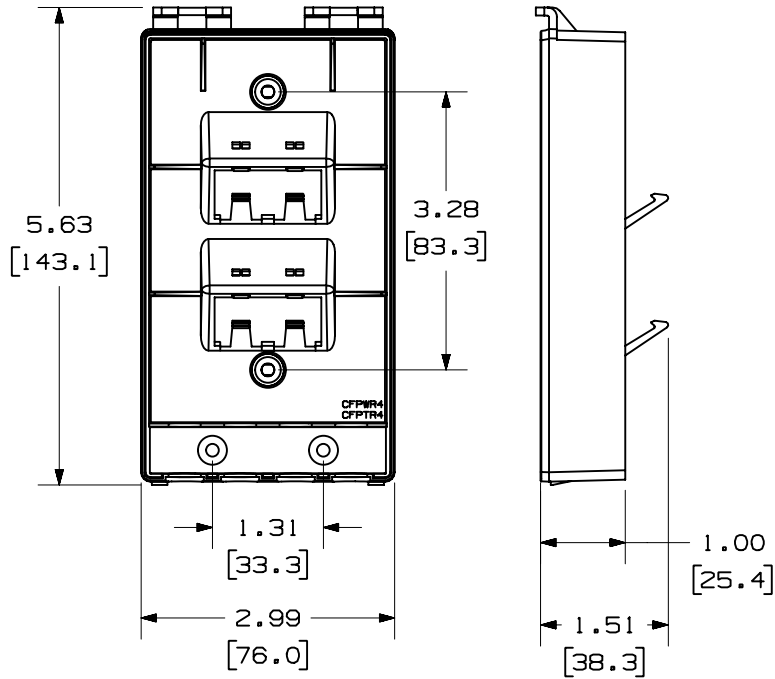
| | | | |
|------------------|-----------------------------|------|---|
| MODEL FILENAME | M00897AA_WATERRESBOX_09.PRT | SIZE | A |
| DRAWING FILENAME | M00897BL_DC_00B.PRT | | |

MINI-COM™ 4 POSITION WATER RESISTANT FACEPLATE CUSTOMER DRAWING

| | | |
|---|------------------------|--------------------------------------|
| <p>PANDUIT™ CORP. TINLEY PARK, ILL 60477</p> | I.I. NUMBER | N/A |
| | PRODUCT SPEC | N/A |
| <p>THIRD ANGLE PROJECTION</p> | WORK INSTRUCTION | N/A |
| | SCALE | FULL |
| <p>ALL DIMENSIONS ARE GIVEN IN INCHES, UNLESS OTHERWISE SPECIFIED.</p> <p>DIMENSIONAL TOLERANCES ARE: (.X) ±.03 (.XXX) ±.005 (.XX) ±.01 ANGLES ± 1°</p> | PART NO. | CFPWR4** |
| <p>DRAWN BY: JsP</p> <p>DATE: 1-15-02</p> <p>CHK'D: MJD</p> | REVIEW DRAWING NUMBERS | DRAWING NO. 00897-07 SHEET 1 OF 2 |
| MATERIAL: PC | | |

| REV | DATE | BY | CHK | DESCRIPTION | ECN | R | CUST | SUP | OTH |
|-----|---------|-----|-----|--|----------|---|------|-----|-----|
| I | 2-13-04 | JsP | | A. ADDED TWO TAMPER RESISTANT SCREWS TO KIT. | 00897-07 | | | | |
| R | 1-15-02 | JsP | MJD | RELEASED TO PRODUCTION | 00897-07 | | | | |

THIS COPY IS PROVIDED ON A RESTRICTED BASIS AND IS NOT TO BE USED IN ANY WAY DETRIMENTAL TO THE INTERESTS OF PANDUIT CORP.



| | | |
|------------------|-----------------------------|------|
| MODEL FILENAME | M00897AA_WATERRESBOX_00.PRT | SIZE |
| DRAWING FILENAME | M00897BL_DC_00B.PRT | A |

MINI-COM™ 4 POSITION WATER RESISTANT FACEPLATE CUSTOMER DRAWING

| | | |
|--|---|--|
| <p>PANDUIT™ CORP. TINLEY PARK, ILL 60477</p> | I.I. NUMBER | N/A |
| | PRODUCT SPEC | N/A |
| | WORK INSTRUCTION | N/A |
| | SCALE | NONE |
| <p>THIRD ANGLE PROJECTION</p> | <p>ALL DIMENSIONS ARE GIVEN IN INCHES, UNLESS OTHERWISE SPECIFIED.</p> <p>DIMENSIONAL TOLERANCES ARE: (.X) ±.03 (.XXX) ±.005 (.XX) ±.01 ANGLES ± 1°</p> | PART NO. |
| <p>DRAWN BY JsP</p> | <p>REVIEW DRAWING NUMBERS</p> | <p>CFPWR4**</p> |
| <p>DATE 1-15-02</p> | <p>MATERIAL: PC</p> | <p>DRAWING NO. 00897-07 SHEET 2 OF 2</p> |
| <p>CHK'D MJD</p> | | |

| REV | DATE | BY | CHK | DESCRIPTION | ECN | R | CUST | SUP | OTH |
|-----|---------|-----|-----|---------------------------------|----------|---|------|-----|-----|
| I | 2-13-04 | JsP | | SEE SHEET 1 OF 2 FOR REVISIONS. | 00897-07 | | | | |
| R | 1-15-02 | JsP | MJD | SEE SHEET 1 OF 2. | 00897-07 | | | | |