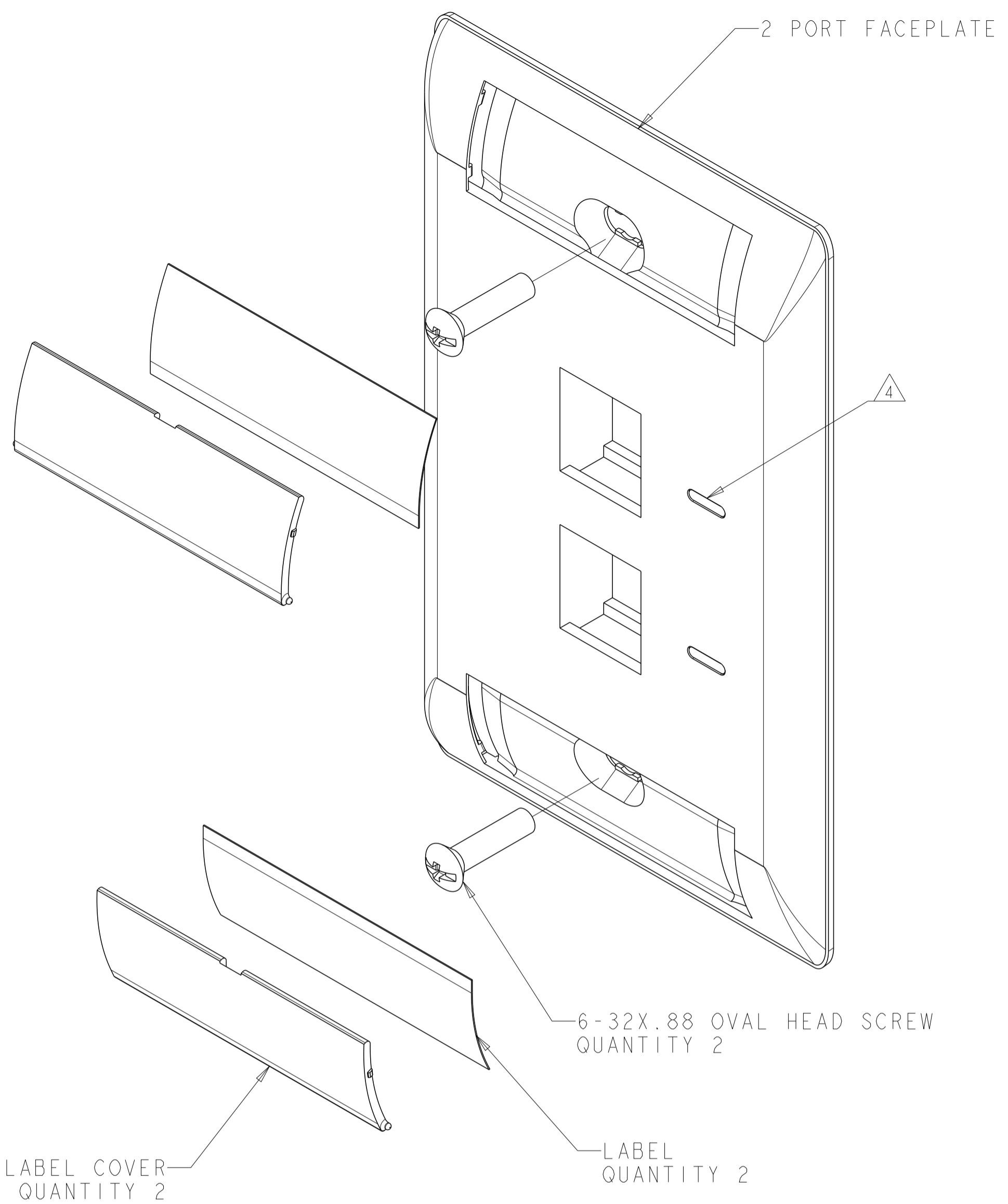
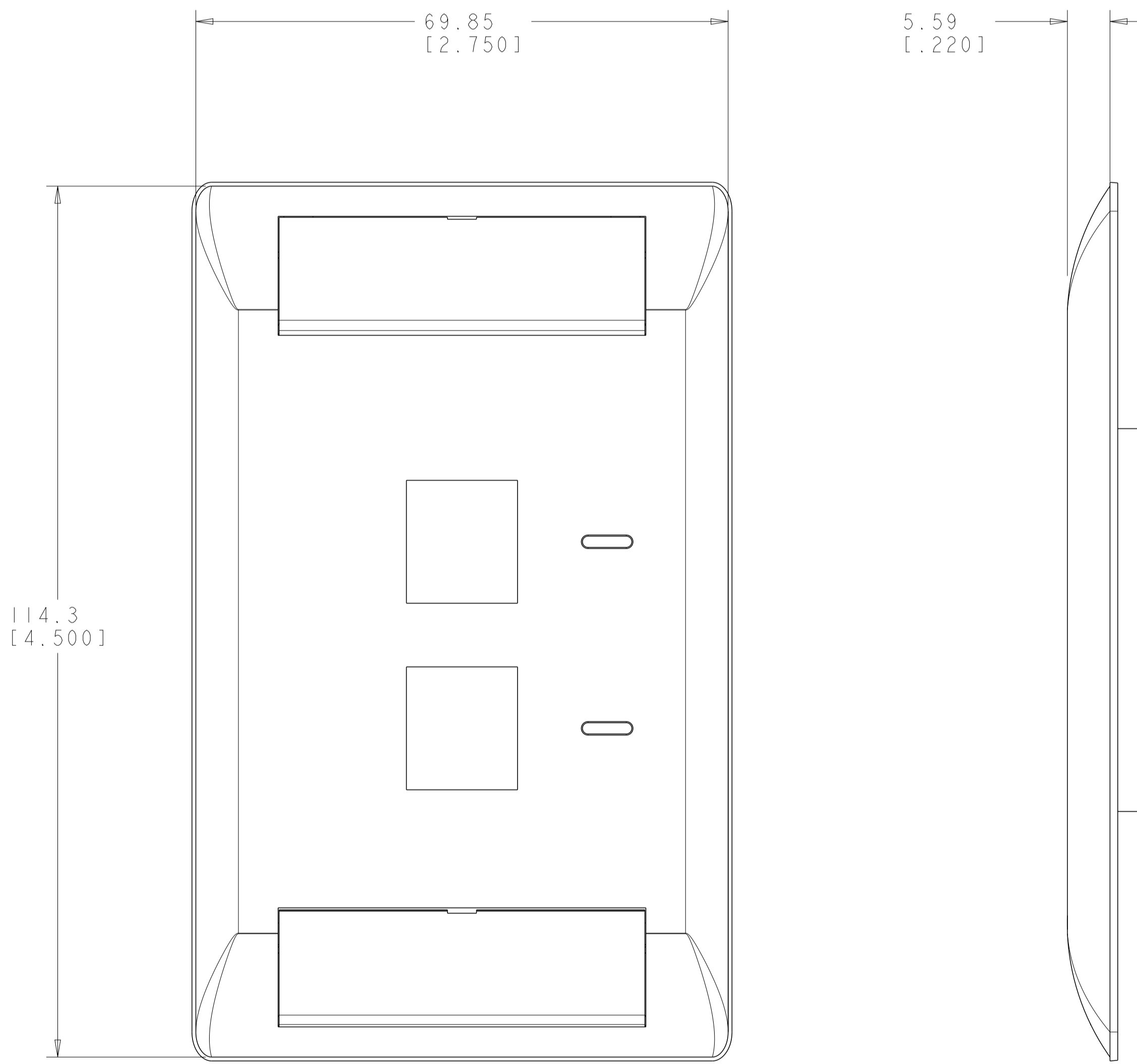


REVISIONS				
P	LTN	DESCRIPTION	DATE	APPD
A	RLSD;	ECO-10-002954	09FEB2010	GG RA
B	REV;	40026397MCO	11NOV2015	GG LS



- ⚠ DIMENSIONS ARE NOMINAL UNLESS OTHERWISE SPECIFIED.
- ⚠ MATERIAL:  
 FACEPLATE - POLYCARBONATE MOLDING COMPOUND. SEE TABLE FOR COLORS.  
 SCREWS - ZINC PLATED CARBON STEEL.  
 LABEL COVER - POLYCARBONATE MOLDING COMPOUND, CLEAR.  
 LABEL - WHITE INDEX PAPER.
- 3. THIS KIT SHIPPED NOT ASSEMBLED.
- ⚠ MOLD OVER ICON FEATURE.



ALPINE WHITE	1-2111009-3
ELECTRIC IVORY	1-2111009-1
NEMA GRAY	2111009-4
BLACK	2111009-2
LIGHT ALMOND	2111009-1
COLOR	PART NUMBER

THIS DRAWING IS A CONTROLLED DOCUMENT.

DIMENSIONS: MM [INCHES]	TOLERANCES UNLESS OTHERWISE SPECIFIED:	0 PLC ±	1 PLC ±	2 PLC ±	3 PLC ±	4 PLC ±	ANGLES ±	FINISH ±
		⚠	⚠	⚠	⚠	⚠	⚠	⚠

MATERIAL: ⚠

Customer Drawing

DWN: G. GARRETT 31MAR2009  
 CHK: R. ASHBY 31MAR2009  
 APPD: R. ASHBY 31MAR2009

NAME: KIT, FACEPLATE, COMMERCIAL, SINGLE GANG, 2 PORT

SIZE: A1 CAGE CODE: 00779 DRAWING NO: 2111009 RESTRICTED TO: -

SCALE: 2:1 SHEET 1 OF 1 REV B

**STE** TE Connectivity