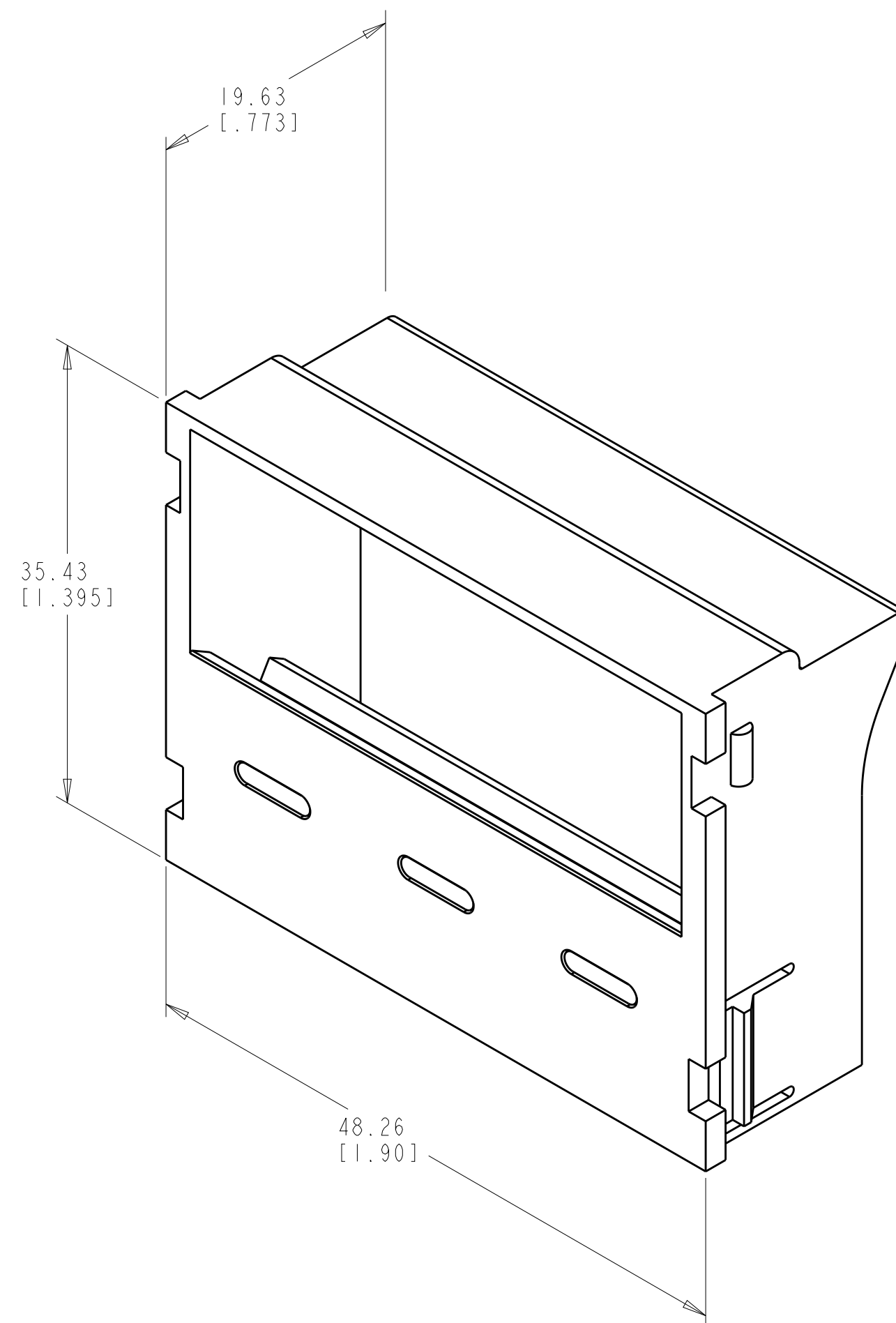


THIS DRAWING IS UNPUBLISHED. RELEASED FOR PUBLICATION 20
 © COPYRIGHT 20 BY - ALL RIGHTS RESERVED.

REVISIONS				
P	LTR	DESCRIPTION	DATE	APVD
A		REV; EC 0B40-0208-00	-	GG GB
B		REV; ECO-14-010918	22JULY2014	GG RA
C		REV; ECO-15-003156	19MAY2015	GG RA



- 1 MATERIAL:
MODULE: ABS MOLDING COMPOUND.
SEE TABLE FOR COLOR.
- 2 DIMENSIONS ARE NOMINAL
UNLESS OTHERWISE SPECIFIED.
- 3. MODULE WILL ACCEPT SL SERIES TOOLLESS
MODULAR JACKS AND SL INSERTS.
- 4. REFER TO INSTRUCTION SHEET 408-8398
FOR INSTALLATION PROCEDURES.

ALPINE WHITE	I-1116408-3
LT ALMOND	1116408-1
COLOR	PART NO

THIS DRAWING IS A CONTROLLED DOCUMENT.		DWN R. MARTIN 15OCT98	TE Connectivity																				
DIMENSIONS: mm (INCHES)		CHK R. MARTIN 15OCT98																					
TOLERANCES UNLESS OTHERWISE SPECIFIED:		APVD R. MARTIN 09DEC99																					
<table border="0"> <tr> <td>0 PLC</td><td>±</td><td></td></tr> <tr> <td>1 PLC</td><td>±</td><td></td></tr> <tr> <td>2 PLC</td><td>±</td><td>2</td></tr> <tr> <td>3 PLC</td><td>±</td><td></td></tr> <tr> <td>4 PLC</td><td>±</td><td></td></tr> <tr> <td>ANGLES</td><td>±</td><td></td></tr> <tr> <td>FINISH</td><td>-</td><td></td></tr> </table>		0 PLC			±		1 PLC	±		2 PLC	±	2	3 PLC	±		4 PLC	±		ANGLES	±		FINISH	-
0 PLC	±																						
1 PLC	±																						
2 PLC	±	2																					
3 PLC	±																						
4 PLC	±																						
ANGLES	±																						
FINISH	-																						
MATERIAL	- 1	PRODUCT SPEC -	SIZE A2	CAGE CODE -	DRAWING NO C-1116408	RESTRICTED TO -																	
		APPLICATION SPEC -	WEIGHT -	SCALE 3:1	SHEET 1	OF 1																	
		Customer Drawing			REV C																		