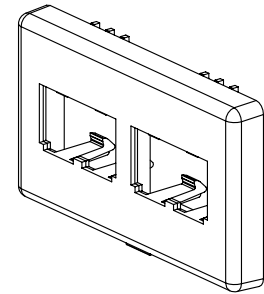
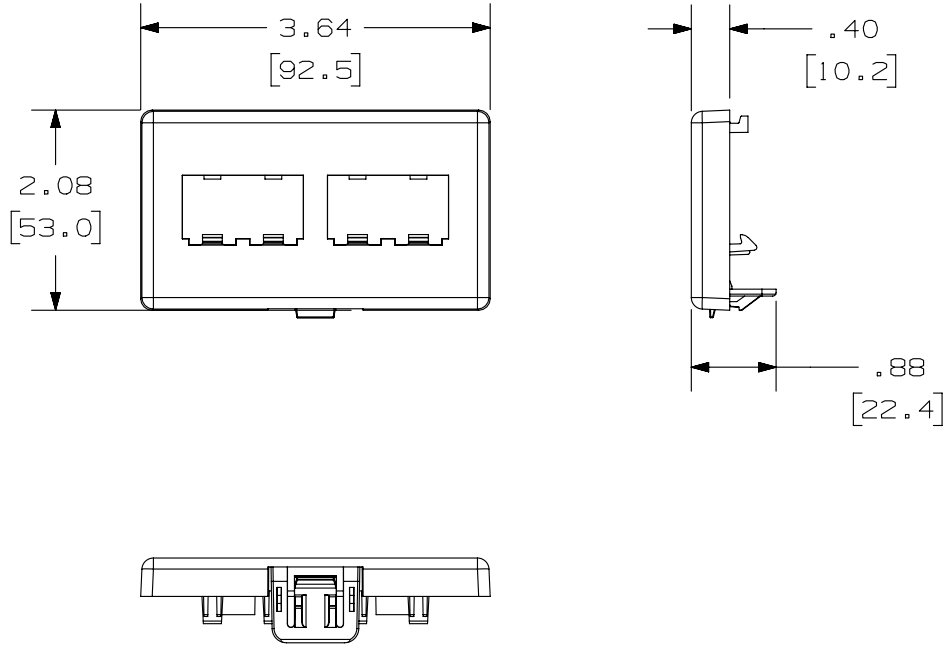


THIS COPY IS PROVIDED ON A RESTRICTED BASIS AND IS NOT TO BE USED IN ANY WAY DETRIMENTAL TO THE INTERESTS OF PANDUIT CORP.

PANDUIT P/N	WEIGHT
CFFPHM4**	.44 LB/10 PCS (201.2 g/10 PCS)

NOTES:

- SEE CURRENT CATALOG FOR ADDITIONAL PART NUMBER SUFFIXES TO INDICATE COLOR AND OR PACKAGE QUANTITY.
- SEE CATALOG FOR COMPLETE LIST OF PARTS APPLICABLE FOR USE WITH THIS PART.
- DIMENSIONS IN [ ] ARE IN METRIC.
- FACEPLATE ACCEPTS 4 MINI-COM MODULES.
- FACEPLATE SNAPS INTO A RANGE OF FURNITURE OPENINGS:  
HEIGHT: 1.88" [ 47.5 ] TO 1.91" [ 48.5 ]  
WIDTH: 2.98" [ 75.7 ] TO 3.16" [ 80.2 ]  
MAX. MATERIAL THICKNESS: .090" [ 2.3 ]



PART NUMBER		CFFPHM4**	
TITLE			
MINI-COM 4 POSITION MODULAR FURNITURE FACEPLATE FOR HERMAN MILLER BELTLINE SERIES			
CUSTOMER DRAWING			
ITEM REVISION NAME		M00453BA/05	
DATASET FILE NAME		M00453BA_DC/05B	
UNLESS OTHERWISE SPECIFIED, DIMENSIONAL TOLERANCES ARE: IN [ mm ]		MATERIAL:	
.x ± .xxx ± .010 [ .3 ]		ABS	
.xx ± .03 [ .8 ]		DRAWING NUMBER:	
ANGLES ±		00453-02	
THIRD ANGLE PROJECTION		SHT 1 OF 1	
DRAWN BY	DATE	CHK	SCALE
JSP	8-9-01	CVM	NONE
REV	DATE	BY	CHK
2	3/18/14	JSP	REFR
1	11-13-02	JSP	CEF
R	8-9-01	JSP	CVM
DESCRIPTION		ECN	
B. REVISED DRAWING TITLE BLOCK.		00453-02	
A. ADDED NOTE #4 AND 5.		00453-02	
RELEASED TO PRODUCTION		00453-02	

D10100DA/14

2

1

2

1