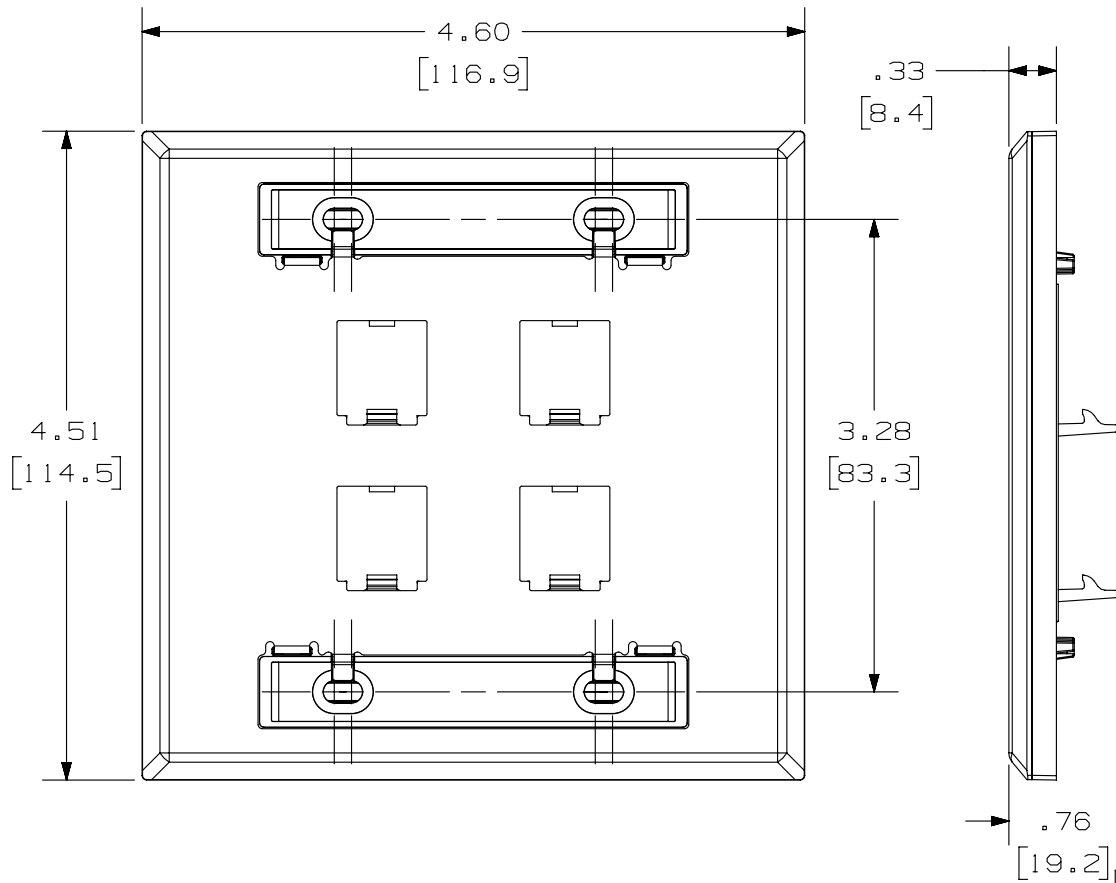


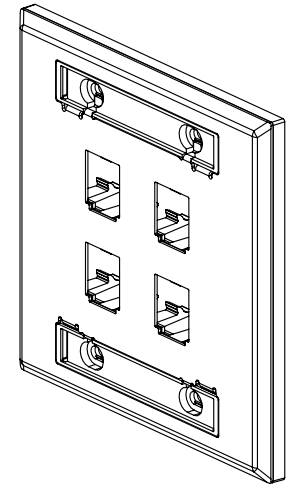
THIS COPY IS PROVIDED ON A RESTRICTED BASIS AND IS NOT TO BE USED IN ANY WAY DETRIMENTAL TO THE INTERESTS OF PANDUIT CORP.



NOTES:

1. SEE CURRENT CATALOG FOR ADDITIONAL PART NUMBER SUFFIXES TO INDICATE COLOR AND OR PACKAGE QUANTITY.
2. SEE CATALOG FOR COMPLETE LIST OF PARTS APPLICABLE FOR USE WITH THIS PART.
3. DIMENSIONS IN PARENTHESES ARE IN METRIC.
4. PART INCLUDES:
  - 1 - FACEPLATE
  - 4 - #6-32 X 1" MOUNTING SCREWS
  - 2 - LABEL
  - 2 - LABEL COVER

PANDUIT P/N	WEIGHT
CFPL4S-2GY	2.42 LB/10 PCS (1097.7g/10 PCS)



PART NUMBER		CFPL4S-2GY	
TITLE			
MINI-COM 4 POSITION STAINLESS STEEL DOUBLE GANG FACEPLATE WITH LABEL/COVER			
CUSTOMER DRAWING			
ITEM REVISION NAME		M02479IP/00	
DATASET FILE NAME		M02479IP_DC226/00C	
UNLESS OTHERWISE SPECIFIED, DIMENSIONAL TOLERANCES ARE: IN [ mm ]		MATERIAL:	
.x ± .xxx ± .010 [ .3 ]		FACEPLATE- 304 S.S.	
.xx ± .03 [ .8 ]		BACKING- ABS	
ANGLES ±		DRAWING NUMBER:	
THIRD ANGLE PROJECTION		02479-226	
DRAWN BY	DATE	CHK	SCALE
JSP	3-25-06	MJD	NONE
SHT 1 OF 1			SIZE
			A

REV	DATE	BY	CHK	APR	DESCRIPTION	ECN
2	4/15/14	JSP	REFR	MMR	B. REVISED DRAWING TITLE BLOCK.	02479-226
1	7-30-07	JSP	JCO	JCO	A. FACEPLATE MATERIAL WAS JUST STAINLESS STEEL.	02479-226
R	3-25-06	JSP	MJD	MJD	RELEASED TO PRODUCTION	02479-226

D10100DA/14