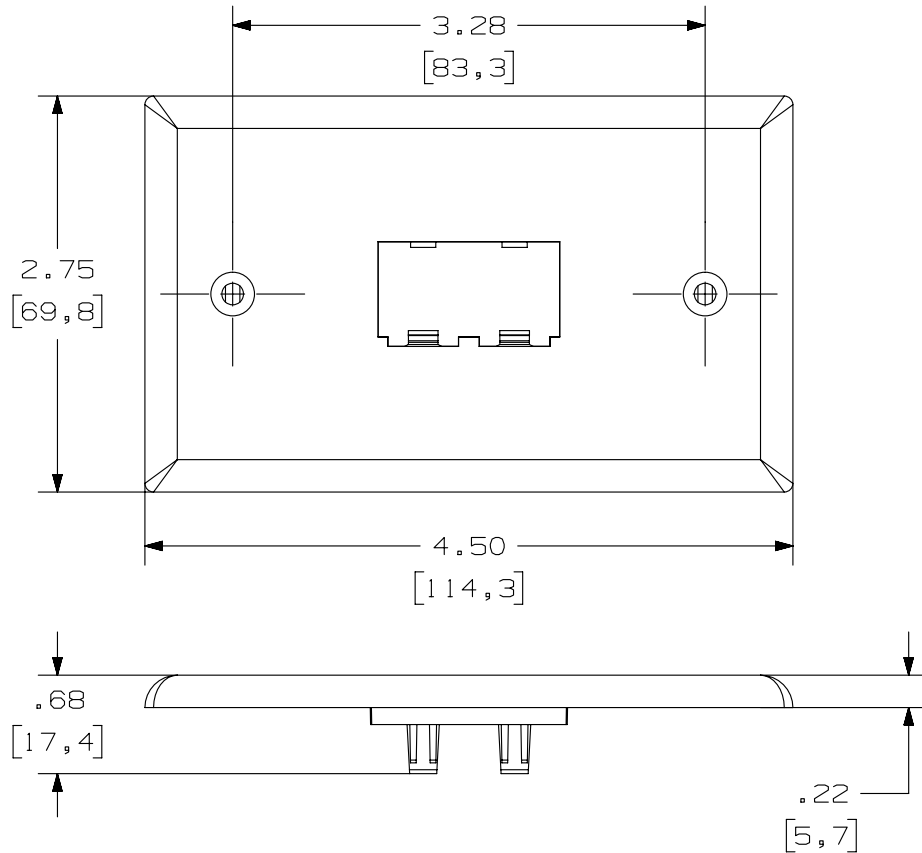
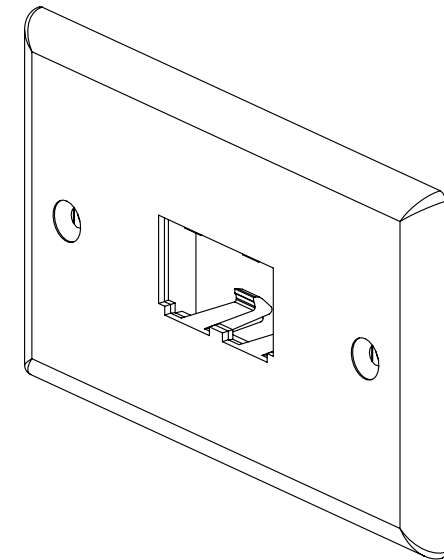


THIS COPY IS PROVIDED ON A RESTRICTED BASIS AND IS NOT TO BE USED IN ANY WAY DETRIMENTAL TO THE INTERESTS OF PANDUIT CORP.



PANDUIT PART NO.	WEIGHT
CFPH2**	.47 LB/10 PCS (212 G/10 PCS)

- NOTES:
- SEE CURRENT CATALOG FOR ADDITIONAL PART NUMBER SUFFIXES TO INDICATE COLOR AND OR PACKAGE QUANTITY.
 - DIMENSIONS IN [] ARE IN METRIC.
 - PART INCLUDES:
 - 1- FACEPLATE
 - 2- MOUNTING SCREWS



PART NUMBER		CFPH2**	
TITLE			
MINI-COM 2 POSITION HORIZONTAL CLASSIC SERIES FACEPLATE			
CUSTOMER DRAWING			
ITEM REVISION NAME		D35544CR/00	
DATASET FILE NAME		D35544CR_DC/00D	
UNLESS OTHERWISE SPECIFIED, DIMENSIONAL TOLERANCES ARE: IN [mm]		MATERIAL:	
.x ± .03 [.8]		ABS	
.xxx ± .010 [.3]		DRAWING NUMBER:	
ANGLES ±		35544 - 40	
THIRD ANGLE PROJECTION		SHT 1 OF 1	
DRAWN BY	DATE	CHK	SCALE
RCA	4-3-97	HIW	NONE
REV	DATE	BY	DESCRIPTION
3	7-13-99	JSP	REFR
		MMR	C. REVISED AND REDRAWN, ALL OTHER REVISIONS HAVE BEEN OMITTED.
			35544-40
			ECN

D10100DA/14