

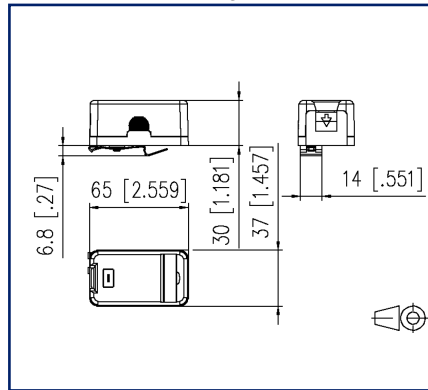
Data sheet

Extension box APZ 1 port E-DAT modul Keystone

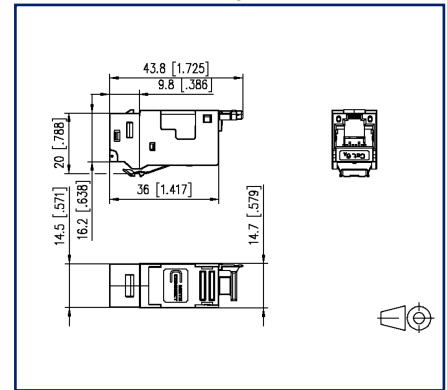
Illustrations



Dimensional drawing



Dimensional drawing



See enlarged drawings at the end of document

Product specification

- for the connection of the termination point meter position in the APZ area of the termination point line network (DMARC), equipped with E-DATmodul K
- suitable for mounting on support rail in counter panel of general power supply below cover in room for additional applications to VDE-AR-N 4100
- failsafe contact with integrated dust protector slide, not sealable
- for connection of an MUC communication module
- component testing for Cat.6_A to ISO/IEC 11801-1, DIN EN 50173-1, ANSI/TIA-568.2-D and IEC 60603-7-51, certified to GHMT
- compliance with class E_A up to 500 MHz to ISO/IEC 11801-1, DIN EN 50173-1
- tested: components up to 600 MHz, link up to 800 MHz
- suitable for 10 GBit Ethernet (IEEE 802.3an), Remote Powering (PoE, PoE plus, UPoE and 4PPoE) and HDBaseT
- connection of data lines AWG 26/1 to 22/1 (solid wire) and AWG 26/7 to 22/7 (stranded wire) to insulation displacement connectors (IDC)
- plug direction of module inclined at 90° to top hat rail
- strain relief with cable tie at the stuffer cap
- with label window for enclosed identification labels
- cover parts in pure white RAL 9010, glossy surface
- variants: APZ 1 port, APZ 2 port

P | Cabling

Data sheet

Page 2/8

Extension box APZ 1 port E-DAT modul Keystone

P/N
130910D1APLKE
EAN 4250184199779
2022/12/15
Version: AH

Technical Data

General Data

| | |
|---|---|
| Fields of application | structured building cabling office areas |
| Mechanical measurement according to MICE | M1 |
| Ingress measurement according to MICE | I1 |
| Climatic measurement according to MICE | C1 |
| Electromagnetic measurement according to MICE | E2 |
| Design | wall outlet |
| Shielding | shielded |
| Transmission technology | Copper |
| Wiring | T568A, T568B |
| Color | Pure white RAL 9010 |
| Dimensions | |
| Dimension (L x W x H) | 65 mm x 29.6 mm x 30 mm |
| Dimension (L x W x H) | 2.559 in. x 1.165 in. x 1.181 in. |
| Labeling option | label window with identification label |

Transmission characteristics

| | |
|---------------------------------|----------------|
| Category (ISO) | 6 _A |
| Class (ISO/IEC) | E _A |
| Category (TIA) | 6A |
| Remote Powering | yes |
| PoE | IEEE 802.3af |
| PoE plus | IEEE 802.3at |
| UPoE | yes |
| 4PPoE | IEEE 802.3bt |
| HDBaseT | yes |
| Transmission rate up to 10 GBit | IEEE 802.3an |



Extension box APZ 1 port E-DAT modul Keystone

P/N

130910D1APLKE

EAN 4250184199779

2022/12/15

Version: AH

Technical Data

Connections/interfaces

| | |
|---|---|
| Connector technology interface 1 | IDC-connection |
| Connector technology interface 2 | RJ45-jack |
| Number of ports interface 2 | 1 |
| Number of ports interface 2 equipped | 1 |
| Number of positions/contacts interface 1 | 8 |
| Number of positions/contacts interface 2 | 8P/8C |
| Termination data, solid wire (min. - max.) | |
| Conductor cross section, solid wire | AWG 26/1 - AWG 22/1 |
| Conductor cross section, solid wire | 0.128 mm ² - 0.324 mm ² |
| Conductor diameter, solid wire (bare copper) | 0.409 mm - 0.643 mm |
| Conductor diameter, solid wire (bare copper) | 0.016 in. - 0.025 in. |
| Termination data, stranded wire (min. - max.) | |
| Conductor cross section, stranded wire | AWG 26/7 |
| Conductor cross section, stranded wire | 0.141 mm ² |
| Conductor diameter, stranded wire | 0.483 mm |
| Conductor diameter, stranded wire | 0.019 in. |
| Cable sheath diameter (min. - max.) | |
| Cable sheath diameter | 5.5 mm - 10.00 |
| Cable sheath diameter | 0.197 in. - 0.394 |
| Module plug-in direction | vertical |
| Cable access/outlet | 180° |
| Shield connection | flexible contact spring |

Elektrische/ Optische Eigenschaften

| | |
|---|----------------|
| Current carrying capacity | max. 1 A |
| Rated voltage | max. 50 V |
| Contact resistance | max. 20 mOhm |
| Through resistance | max. 200 mOhm |
| Insulation resistance | min. 500 MOhm |
| Dielectric strength conductor-conductor (secondary) | min. 1000 V DC |



P | Cabling

Data sheet

Page 4/8

Extension box APZ 1 port E-DAT modul Keystone

P/N

130910D1APLKE

EAN 4250184199779

2022/12/15

Version: AH

Technical Data

Mechanical data

| | |
|--|------------------------------------|
| Cut-out | Keystone |
| Insertion and withdrawal force | max. 20 N |
| Position/mounting of latch standard installation position | top |
| strain relief | with cable tie, attached to module |

Materials and material properties

| | |
|-----------------------------|-----------------------|
| Material - Housing | GD-Zn (zinc die-cast) |
| Material - Contact | Spring steel |
| Material - Contact finish | Ni + Au (nickel-gold) |
| Material - Contact carriers | PA 6.6 |
| Material - Finish | Ni (nickel) |
| RoHS | compliant |
| REACH | compliant |

Environmental conditions

| | |
|----------------------------|-----------------|
| Temperature (min. - max.) | |
| Temperature - Storage °C | -40 °C - 70 °C |
| Temperature - Storage °F | -40 °F - 158 °F |
| Temperature - Operating °C | -40 °C - 70 °C |
| Temperature - Operating °F | -40 °F - 158 °F |

Certifications

GHMT Type Approval



yes

Extension box APZ 1 port E-DAT modul Keystone

P/N
130910D1APLKE
EAN 4250184199779
 2022/12/15
 Version: AH

Technical Data

Approvals

CE compliant

Standards/Regulations

Generic cabling systems

General requirements ISO/IEC 11801-1 | DIN EN 50173-1
 ANSI/TIA-568.2-D

Connectors for electronic equipment - Tests and measurements

Test standard for connectors (engaging and separating connectors under electrical load) DIN-EN 60512-99-001, Pg. UEL1

Endurance tests IEC 60512-9-3: 03-2009

Interference proof

Immunity for residential, commercial and light-industrial environments DIN EN 61000-6-1:2007-10

Immunity for industrial environments DIN EN 61000-6-2:2006-03

Emission proof

Electromagnetic emission for residential, commercial and light-industrial environments DIN EN 61000-6-3:2011-09

Classifications

ETIM 5.0 EC001121

ETIM 6.0 EC001024

ETIM 7.0 EC001024

ETIM 8.0 EC001024

Packing details

Type of packaging 10 pc(s) / box

Packaging dimension 247 mm x 161 mm x 58 mm

Packaging dimension 9.724 in. x 6.339 in. x 2.283 in.

Extension box APZ 1 port E-DAT modul Keystone

P/N

130910D1APLKE

EAN 4250184199779

2022/12/15

Version: AH

Accessories

| P/N | Designation |
|----------------|---|
| 130898-0003KI | Keystone BLIND module light gray |
| 130898-0029KI | Keystone BLIND module black |
| 130898-0103KI | COAX modul F jack / F jack, Keystone |
| 130898-0203KI | COAX modul IEC jack / F jack, Keystone |
| 130898-0303KI | COAX modul IEC plug / F jack, Keystone |
| 130910KI | E-DAT modul Cat.6 _A K jack - Keystone style |
| 130910KZ | E-DAT modul Cat.6 _A K jack - Keystone style (12 pcs) |
| 1309A0-I | E-DAT modul coupler 8(8) 180° class E _A |
| 130A08-I-B1 | UTP modul Cat.5e white |
| 130A10-29-I-B1 | UTP modul 8(8) Cat.6 black |
| 130A10-I-B1 | UTP modul 8(8) Cat.6 white |
| 130A11-29KI | UTP modul 8(8) Cat.6 _A Keystone black |
| 130A11KI | UTP modul 8(8) Cat.6 _A Keystone white |
| 130B21-25-E | 25Gmodul - Keystone |
| 130B21-25-Z | 25Gmodul - Keystone style (12 pcs) |
| 130B21-E | C6 _A modul K 180° jack - keystone style |
| 130B21-Z | C6 _A modul K 180° jack - Keystone style (12 pcs) |

P | Cabling

Data sheet

Page 7/8

Extension box APZ 1 port E-DAT modul Keystone

P/N

130910D1APLKE

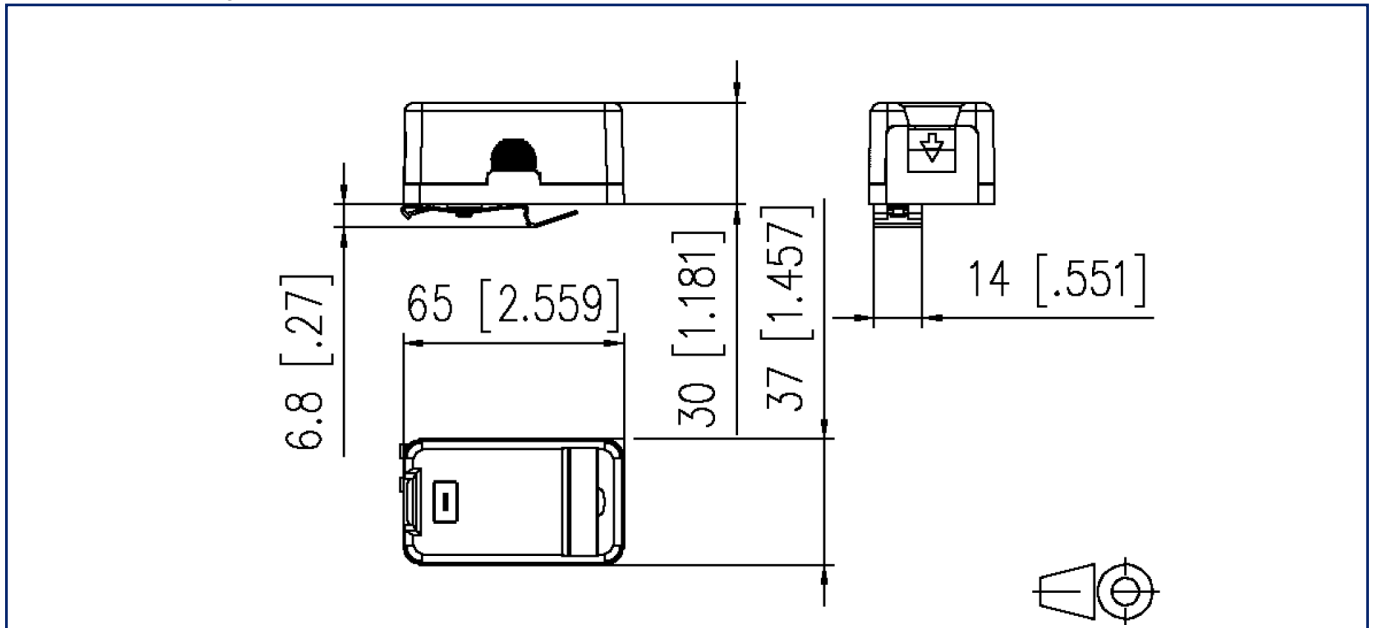
EAN 4250184199779

2022/12/15

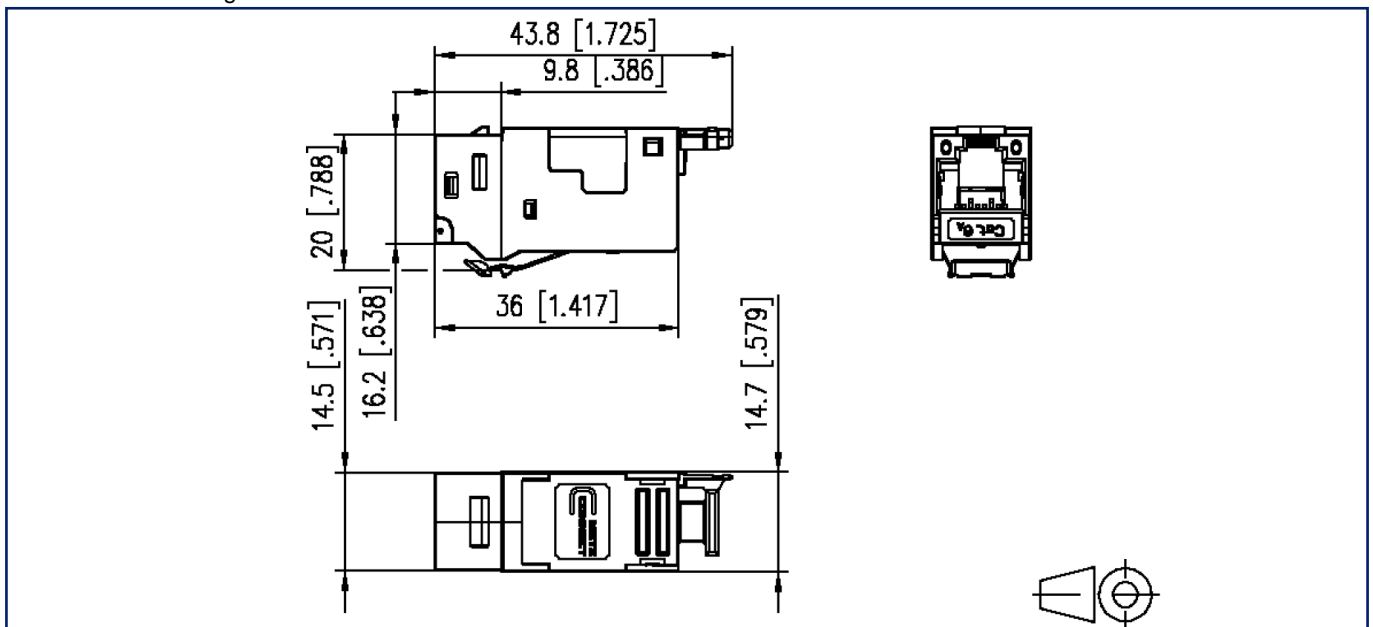
Version: AH

Illustrations

Dimensional drawing



Dimensional drawing



P | Cabling

Data sheet

Page 8/8

Extension box APZ 1 port E-DAT modul Keystone

P/N

130910D1APLKE

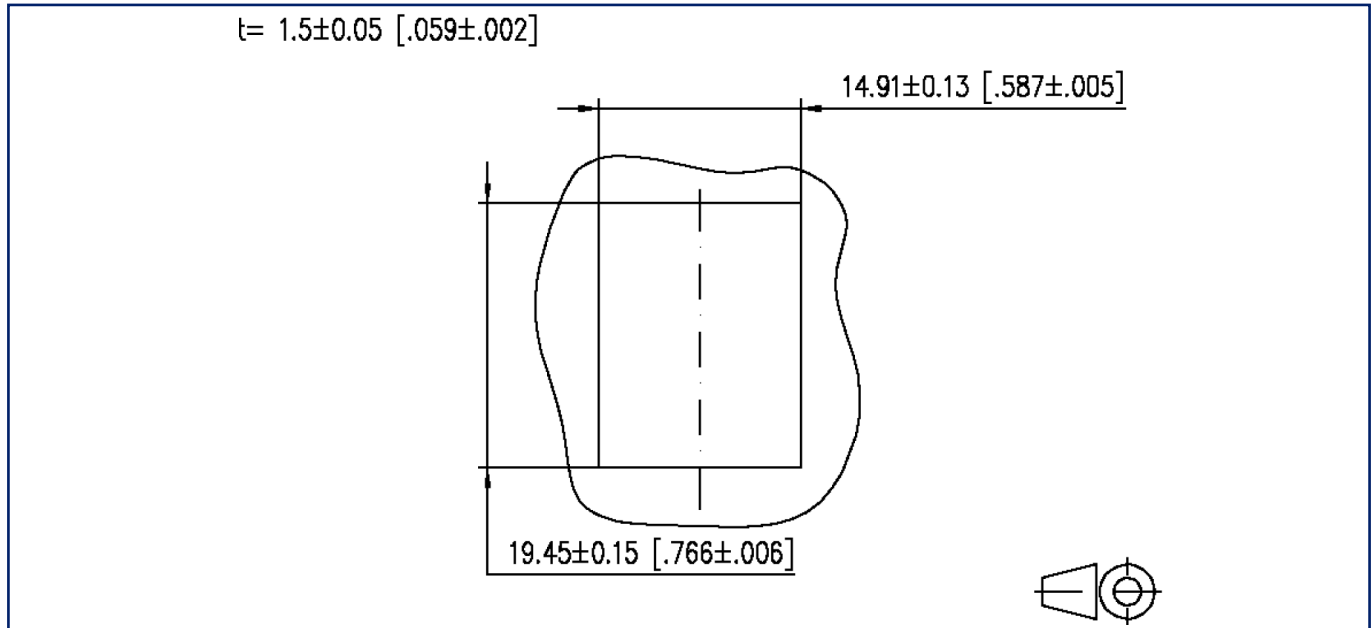
EAN 4250184199779

2022/12/15

Version: AH

Illustrations

Cut-out



© 2022 METZ CONNECT - Technische Änderungen vorbehalten! Subject to modifications! Sous réserve de modifications techniques!

