



Is Now Part of



ON Semiconductor®

To learn more about ON Semiconductor, please visit our website at
www.onsemi.com

Please note: As part of the Fairchild Semiconductor integration, some of the Fairchild orderable part numbers will need to change in order to meet ON Semiconductor's system requirements. Since the ON Semiconductor product management systems do not have the ability to manage part nomenclature that utilizes an underscore (_), the underscore (_) in the Fairchild part numbers will be changed to a dash (-). This document may contain device numbers with an underscore (_). Please check the ON Semiconductor website to verify the updated device numbers. The most current and up-to-date ordering information can be found at www.onsemi.com. Please email any questions regarding the system integration to Fairchild_questions@onsemi.com.

ON Semiconductor and the ON Semiconductor logo are trademarks of Semiconductor Components Industries, LLC dba ON Semiconductor or its subsidiaries in the United States and/or other countries. ON Semiconductor owns the rights to a number of patents, trademarks, copyrights, trade secrets, and other intellectual property. A listing of ON Semiconductor's product/patent coverage may be accessed at www.onsemi.com/site/pdf/Patent-Marking.pdf. ON Semiconductor reserves the right to make changes without further notice to any products herein. ON Semiconductor makes no warranty, representation or guarantee regarding the suitability of its products for any particular purpose, nor does ON Semiconductor assume any liability arising out of the application or use of any product or circuit, and specifically disclaims any and all liability, including without limitation special, consequential or incidental damages. Buyer is responsible for its products and applications using ON Semiconductor products, including compliance with all laws, regulations and safety requirements or standards, regardless of any support or applications information provided by ON Semiconductor. "Typical" parameters which may be provided in ON Semiconductor data sheets and/or specifications can and do vary in different applications and actual performance may vary over time. All operating parameters, including "Typicals" must be validated for each customer application by customer's technical experts. ON Semiconductor does not convey any license under its patent rights nor the rights of others. ON Semiconductor products are not designed, intended, or authorized for use as a critical component in life support systems or any FDA Class 3 medical devices or medical devices with a same or similar classification in a foreign jurisdiction or any devices intended for implantation in the human body. Should Buyer purchase or use ON Semiconductor products for any such unintended or unauthorized application, Buyer shall indemnify and hold ON Semiconductor and its officers, employees, subsidiaries, affiliates, and distributors harmless against all claims, costs, damages, and expenses, and reasonable attorney fees arising out of, directly or indirectly, any claim of personal injury or death associated with such unintended or unauthorized use, even if such claim alleges that ON Semiconductor was negligent regarding the design or manufacture of the part. ON Semiconductor is an Equal Opportunity/Affirmative Action Employer. This literature is subject to all applicable copyright laws and is not for resale in any manner.

FSA8108

Audio Jack Detection Solution Featuring Volume Up/Down & Send/End Detection

Features

- Detection:
 - Accessory Plug-In
 - Send / End Key Press
 - Volume Up/Down Key Press
- V_{DD} 2.7 to 4.5 V
- V_{IO} 1.6 V to V_{DD}
- THD (MIC) 0.01% Typical
- LDO Output for MIC Bias Voltage: 2.4 V
- ESD (IEC 61000-4-2) 15 kV Air Gap
- Detects 3- or 4-Pole Audio Accessories
- Removes Audio Jack Pop-and-Click Caused by MIC Bias

Description

The FSA8108 is an audio jack detection switch for 3- or 4-pole accessories that detects the audio plug connection. The FSA8108 detects volume up/down or send/end key presses. An LDO provides DC bias to microphone and remote key circuit in the accessory. For system flexibility, the FSA8108 features an I²C port with registers to allow programmability of AC timing specifications.

Applications

- Cellular Phones, Smart Phones
- MP3 and PMP (Portable Media Player)

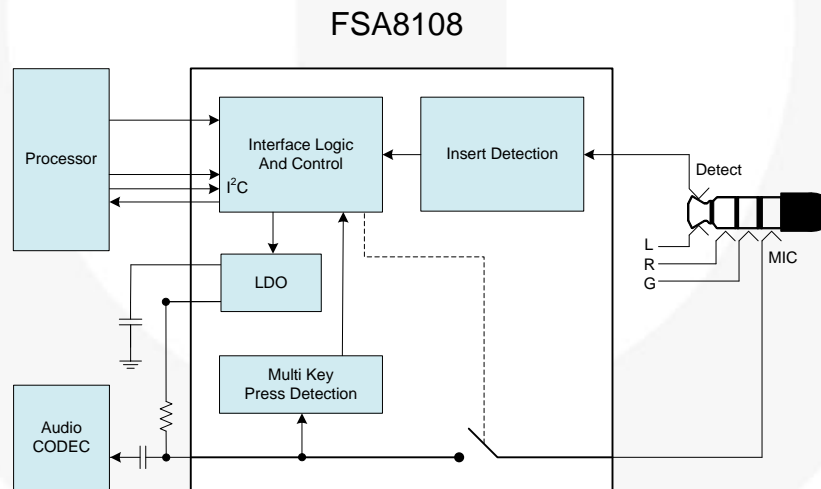


Figure 1. Typical Application Diagram

Ordering Information

| Part Number | Operating Temperature Range | Top Mark | Package |
|----------------------------|-----------------------------|----------|---|
| FSA8108BUCX ⁽¹⁾ | -40 to +85°C | G6 | 12-Ball, 3 x 4 Array, 0.4 mm Pitch, 250 µm Ball, Wafer-Level Chip-Scale Package |

Note:

1. Includes backside lamination.

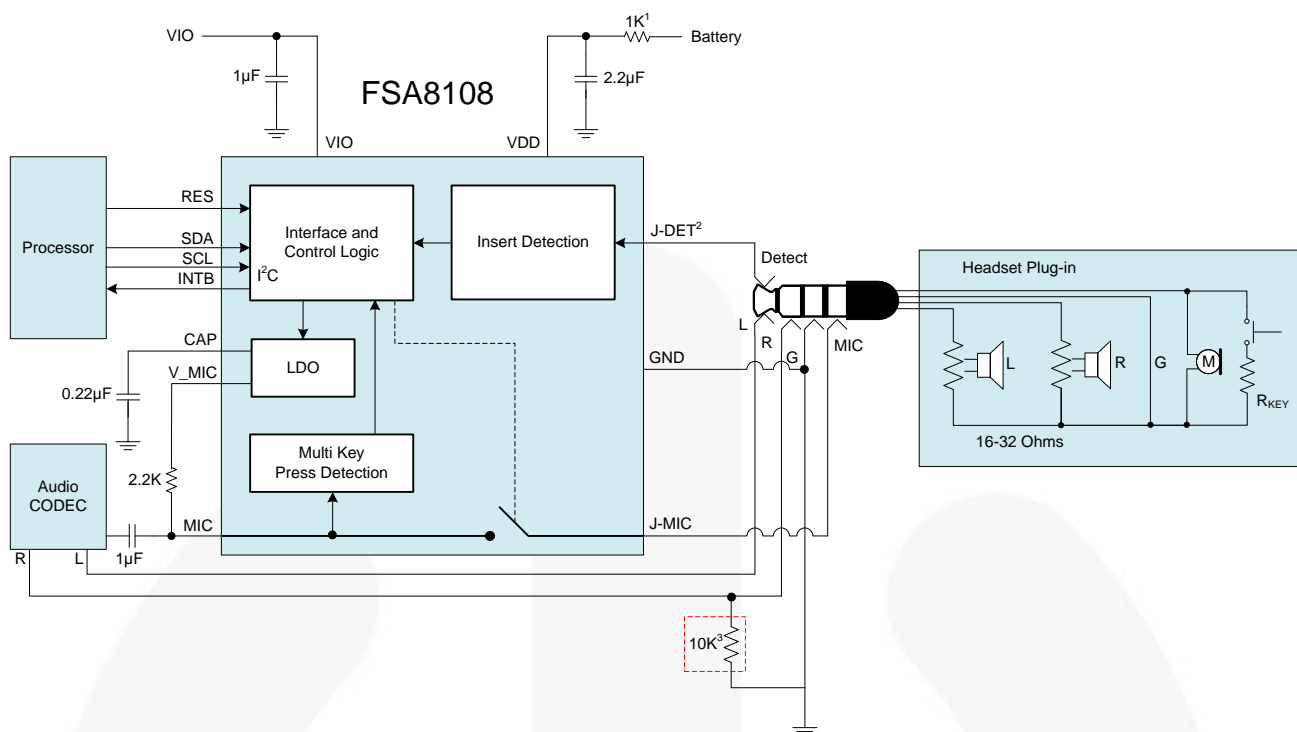


Figure 2. Typical Application Diagram

Notes:

2. A 1 kΩ resistor with a 2.2 µF capacitor is recommended for direct battery connection. This filter helps stabilize power rail events not associated with the FSA8039A. If power is supplied from a stable source, such as from a PMIC or LDO, a single 1 µF capacitor is recommended.
3. The J-DET is shorted to the left (L) audio channel when the headset or accessory plug is inserted into most audio jacks. Any external circuitry attached to the J-DET pin could affect audio performance in the 20-20 kHz range on the left channel.
4. The optional 10 kΩ resistor on the left channel is used to assist in detection of high-impedance accessories. This resistor has negligible impact on audio fidelity.

Pin Configuration

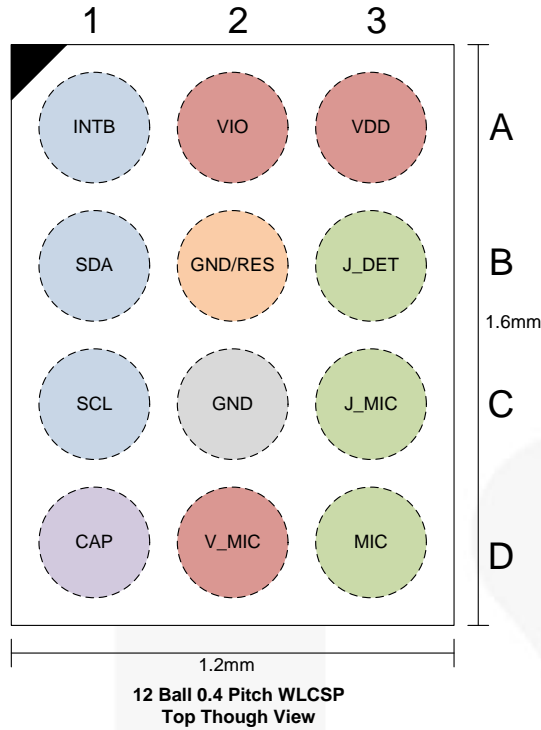


Figure 3. Pin Assignments

Pin Definitions

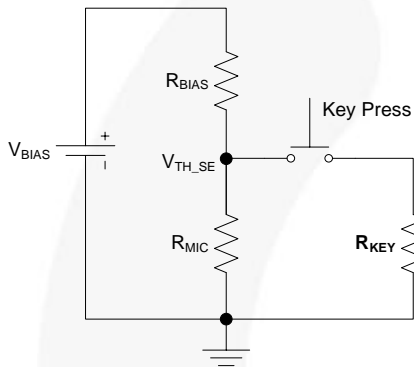
| Name | PIN | Type | Description |
|-------|-----|--------|---|
| INTB | A1 | Output | Interrupt. Low is interrupt asserted. |
| SDA | B1 | Data | I ² C data |
| SCL | C1 | Data | I ² C input clock |
| CAP | D1 | Output | Internal LDO output. A capacitor to ground is required. |
| VIO | A2 | Power | Baseband I/O supply voltage |
| RES | B2 | Input | Device reset control. Active high reset. Connect to GND if unused. |
| GND | C2 | GND | Ground |
| V_MIC | D2 | Power | LDO output to supply MIC bias voltage (2.4 V) |
| VDD | A3 | Power | Core supply voltage |
| J_DET | B3 | I/O | Input from a pin of the audio jack socket; plug insert/removal detection pin. |
| J_MIC | C3 | I/O | Microphone switch path that connects to the audio jack. |
| MIC | D3 | I/O | Microphone switch path that goes to the microphone input of the codec. |

Application Information

Music Mode

When a 4-pole headset is inserted into the audio jack and a music/listening application is used, the MIC bias is normally enabled for headset button press detection (i.e. mute, volume change, etc.). This consumes power due to a constant path from the MIC bias resistor and microphone in the headset to GND. Fairchild has developed a Music Mode to enable the MIC switch periodically to monitor for a pressed button. This results in a power savings for battery-sensitive devices, such as cell phones or MP3 players. The FSA8108 enters Music Mode when the Music Mode Enable bit in CONTROL(0Ch) is set and a plug is inserted. Music Mode reduces MIC bias current by approximately 80% with the default Music Mode timing (09h) register value.

LDO Operation



$$R_{VOL\ UP\ KEY\ MIN} = \frac{1}{\left(\frac{V_{BIAS_MAX} - V_{TH_KEY_MIN}}{V_{TH_KEY_MIN}}\right) \frac{1}{R_{BIAS}} - \frac{1}{R_{MIC}}} = 132\Omega$$

$$R_{VOL\ UP\ KEY\ MAX} = \frac{1}{\left(\frac{V_{BIAS_MIN} - V_{TH_KEY_MAX}}{V_{TH_KEY_MAX}}\right) \frac{1}{R_{BIAS}} - \frac{1}{R_{MIC}}} = 286\Omega$$

Volume up Resistor
V_{BIAS}, LDO ±5%, 2.28V – 2.25V
R_{BIAS}=2.2kΩ
R_{MIC}=2kΩ
V_{TH_KEY_Min}:120mV default +12%, 0.134V
Max: 250mV default-7%, 0.233V

Figure 4. Example Key-Press Resistor Calculations and Values

Absolute Maximum Ratings

Stresses exceeding the absolute maximum ratings may damage the device. The device may not function or be operable above the recommended operating conditions and stressing the parts to these levels is not recommended. In addition, extended exposure to stresses above the recommended operating conditions may affect device reliability. The absolute maximum ratings are stress ratings only.

| Symbol | Parameter | Min. | Max. | Unit | |
|------------------|--|---|--------------|------|----|
| V_{DD}, V_{IO} | Supply Voltage from Battery | -0.5 | 6.0 | V | |
| V_{SW} | Switch I/O Voltage | -0.5 | $V_{CC}+0.5$ | V | |
| I_{V_MIC} | V_MIC LDO Supply Current | | 15 | mA | |
| I_{IK} | Input Clamp Diode Current | -50 | | mA | |
| I_{SW} | Switch I/O Current | | 50 | mA | |
| T_{STG} | Storage Temperature Range | -65 | +150 | °C | |
| T_J | Maximum Junction Temperature | | +150 | °C | |
| T_L | Lead Temperature (Soldering, 10 Seconds) | | +260 | °C | |
| ESD | IEC 61000-4-2 System ESD | Air Gap | | 15 | kV |
| | | Contact | | 8 | |
| | Human Body Model, JEDEC JESD22-A114 | J_DET vs. GND, J_MIC vs. GND, VDD vs. GND, VIO vs. GND | | 11 | |
| | | All Pins | | 4 | |
| | Charged Device Model, JEDEC JESD22-C101 | All Pins | | 2 | |

Recommended Operating Conditions

The Recommended Operating Conditions table defines the conditions for actual device operation. Recommended operating conditions are specified to ensure optimal performance to the datasheet specifications. Fairchild does not recommend exceeding them or designing to Absolute Maximum Ratings.

| Symbol | Parameter | Min. | Max. | Unit |
|---------------|---|------|----------|------------|
| V_{DD} | Supply Voltage | 2.7 | 4.5 | V |
| V_{IO} | I/O Supply Voltage | 1.6 | V_{DD} | V |
| T_A | Operating Temperature | -40 | +85 | °C |
| V_{IN} | MIC Switch Input Voltage Range | 0 | V_{DD} | V |
| V_{Audio} | Audio Voltage Range on J_DET Pin | -1 | 1 | V |
| f_{Audio} | Audio Frequency on J_DET Pin | 20 | 20000 | Hz |
| J_DET_{RL} | Resistance on Audio Accessory Left Channel to generate Attach | | 500 | k Ω |

DC Electrical Characteristics

All typical values are at $T_A=25^\circ\text{C}$ unless otherwise specified.

| Symbol | Parameter | V_{DD} (V) | Condition | $T_A=-40$ to $+85^\circ\text{C}$ | | | Unit |
|---|---|--------------|---|----------------------------------|------|--------------------|---------------|
| | | | | Min. | Typ. | Max. | |
| MIC Switch | | | | | | | |
| R_{ON} | MIC Switch On Resistance | 3.8 | $I_{OUT}=24\text{ mA}$, $V_{IN}=2.0\text{ V}$ | | 0.8 | 2.5 | Ω |
| R_{FLAT} | On Resistance Flatness | 3.8 | $I_{OUT}=24\text{ mA}$, $V_{IN}=1\text{ V}$ to V_{DD} | | 0.7 | | Ω |
| $C_{ON(MIC)}$ | MIC Switch On Capacitance | 3.8 | $f=1\text{ MHz}$, $V_{IN}=100\text{ mV}$, 50 mV_{PP} | | 16 | | pF |
| $C_{OFF(MIC)}$ | MIC Switch Off Capacitance | 3.8 | $f=1\text{ MHz}$, $V_{IN}=100\text{ mV}$, 50 mV_{PP} | | 30 | | pF |
| J-DET | | | | | | | |
| J_DET_{HYS} | Hysteresis of J_DET | | | | 200 | | mV |
| Parallel I/O Control Signals | | | | | | | |
| | | | | | | | |
| V_{IL} | Low-Level Input Voltage | | | | | $0.3 \cdot V_{IO}$ | V |
| V_{IH} | High-Level Input Voltage | | | $0.7 \cdot V_{IO}$ | | V_{IO} | V |
| I²C Controller DC Characteristics Fast Mode (400 kHz) | | | | | | | |
| V_{IL} | Low-Level Input Voltage | | | -0.5 | | $0.3 V_{IO}$ | V |
| V_{IH} | High-Level Input Voltage | | | $0.7 V_{IO}$ | | | V |
| V_{HYS} | Hysteresis of Schmitt Trigger Inputs | | $V_{IO}>2\text{ V}$ | | | $0.05 V_{IO}$ | V |
| | | | $V_{IO}<2\text{ V}$ | | | $0.1 V_{IO}$ | |
| V_{OL1} | Output Voltage (Open-Drain) | | $V_{IO}>2\text{ V}$, 3 mA | 0 | | 0.4 | V |
| | | | $V_{IO}<2\text{ V}$, 3 mA | | | $0.2 V_{IO}$ | V |
| I_{2C} | Input Current of SDA and SCL Pins, Input Voltage 0.26 V to 2.34 V | | | -10 | | 10 | μA |
| C_I | Capacitance for Each I/O Pin ⁽⁵⁾ | | | | | 10 | pF |
| Current Consumption | | | | | | | |
| I_{OZ} | Off Leakage Current | 4.5 | MIC and J_MIC Port $V_{IN}=4.4\text{ V}$ | | | 1.5 | μA |
| I_{IN} | Input Leakage Current | 0 to 4.5 | Inputs 0 to 4.4 V | | 1 | | μA |
| $I_{DD-SLNA}$ | Sleep Mode Current with No Accessory | 2.7 to 4.5 | J_DET=1 | | 1.5 | | μA |
| $I_{DD-SLWA}$ | Current After Detection With Accessory (Normal Mode) | 2.7 to 4.5 | J_DET=0 | | 35 | | μA |
| $I_{DD-MUSIC_MODE}$ | Music Mode | 2.7 to 4.5 | I ² C Default Settings | | 25 | | μA |
| I_{DD_LDO} | Current to Operating LDO, Not Including Output Current | 2.7 to 4.5 | LDO Powered | | 110 | | μA |
| $I_{DD-SLWA} + LDO$ | Current After Detection With Accessory (Normal Mode) with LDO Current | 2.7 to 4.5 | J_DET=0 | | 145 | | μA |
| $I_{DD_Music Mode} + LDO$ | Music Mode with LDO | 2.7 to 4.5 | I ² C Default Settings | | 135 | | μA |

Continued on the following page...

DC Electrical Characteristics

All typical values are at $T_A=25^\circ\text{C}$ unless otherwise specified.

| Symbol | Parameter | V_{DD} (V) | Condition | $T_A=-40$ to $+85^\circ\text{C}$ | | | Unit |
|--|--|--------------|---|----------------------------------|------|------|------|
| | | | | Min. | Typ. | Max. | |
| MIC_V LDO Outputs | | | | | | | |
| MIC_V _{VOUT} | Output Voltage | 2.7 to 4.5 | | -5% | 2.4 | +5% | V |
| MIC_V _{IOUT} | Maximum Output Current | 2.7 to 4.5 | | 10 | | | mA |
| Comparator Thresholds for Headset Key Pad (Default Voltage Reference) | | | | | | | |
| V _{COMP1} | Comparator Threshold for Send/End Sensing for NO Headset | 2.7 to 4.5 | I ² C Default Setting, V _{MIC} =2.4 V, R _{MIC} =2.2 k Ω | -12% | 120 | +12% | mV |
| V _{COMP2} | Comparator Threshold for Send/End Sensing for NC Headset | 2.7 to 4.5 | I ² C Default Setting, V _{MIC} =2.4 V, R _{MIC} =2.2 k Ω | -5% | 2300 | +5% | mV |
| V _{COMP3} | Comparator Threshold for Volume_Up Sensing | 2.7 to 4.5 | I ² C Default Setting, V _{MIC} =2.4 V, R _{MIC} =2.2 k Ω | -7% | 250 | +7% | mV |
| V _{COMP4} | Comparator Threshold for Volume_Down Sensing | 2.7 to 4.5 | I ² C Default Setting, V _{MIC} =2.4 V, R _{MIC} =2.2 k Ω | -7% | 690 | +7% | mV |

Note:

- Not production tested.

AC Electrical Characteristics

All typical values are at $T_A=25^{\circ}\text{C}$ unless otherwise specified; all other values are at the recommended T_A and T_J temperatures. Not production tested.

| Symbol | Parameter | V_{DD} (V) | Condition | $T_A=-40$ to $+85^{\circ}\text{C}$ | | | Unit |
|--------------------------------------|---|--------------|---|------------------------------------|------|------|---------------|
| | | | | Min. | Typ. | Max. | |
| MIC Switch | | | | | | | |
| THD | Total Harmonic Distortion | 3.8 | $R_T=600\ \Omega$, $V_{SW}=0.5\ V_{PP}$, $f=20\ \text{Hz}$ to $20\ \text{kHz}$, $V_{IN}=2.0\ \text{V}$ | | 0.01 | | % |
| O_{IRR} | Off Isolation | 3.8 | $f=20\ \text{kHz}$, $R_S=600\ \Omega$, $C_L=0\ \text{pF}$, $R_T=600\ \Omega$ | | 80 | | dB |
| Parallel I/O (Default Timing) | | | | | | | |
| t_{ON} | Switch Turn-On Time | 3.8 | $R_L=10\ \text{k}\Omega$, $C_L=10\ \text{pF}$ | | 100 | | μs |
| t_{OFF} | Switch Turn-Off Time | 3.8 | $R_L=10\ \text{k}\Omega$, $C_L=10\ \text{pF}$ | | 10 | | ns |
| t_{DET-IN} | Debounce Time after J_DET Changes from HIGH to LOW | 2.7 to 4.5 | I ² C Default Setting | | 500 | | ms |
| $t_{DET-REM}$ | Debounce Time after J_DET Changes from Low to HIGH | 2.7 to 4.5 | I ² C Default Setting | | 30 | | μs |
| $t_{DET-MIC}$ | Detection Time of Audio Jack GND and MIC Terminals | 2.7 to 4.5 | I ² C Default Setting | | 50 | | ms |
| t_{ESD_DE} | Debounce Time for ESD Event on J_DET (Double-Check J_DET Status) | 2.7 to 4.5 | I ² C Default Setting | | 1 | | ms |
| t_{POLL} | ON Time of MIC Switch for Sensing SEND/END Key Press in MP3 Mode | 2.7 to 4.5 | I ² C Default Setting | | 15 | | ms |
| t_{WAIT} | OFF Time of MIC Switch for Sensing SEND/END Key Press in MP3 Mode | 2.7 to 4.5 | I ² C Default Setting | | 150 | | ms |
| $t_{K BK}$ | Debounce Time for Sensing SEND/END Key Press/Release | 2.7 to 4.5 | I ² C Default Setting | | 45 | | ms |
| $t_{KEY-LONG}$ | Minimum Time for Long Key Press | 2.7 to 4.5 | I ² C Default Setting | | 900 | | ms |
| $t_{KEY-Double}$ | Maximum Time between Key Presses for Double-Key Press | 2.7 to 4.5 | I ² C Default Setting | | 1000 | | ms |
| t_{RES_DE} | Debounce Time for Reset Control | 2.7 to 4.5 | | | 15 | | μs |
| Power Supply Noise Immunity | | | | | | | |
| $PSRR_{SW}$ | Power Supply Rejection Ratio for Switch | 3.8 | Power Supply Noise 300 mV _{PP} , Measured 10/90%, $f=217\ \text{Hz}$ | | 95 | | dB |
| $PSRR_{LDO}$ | Power Supply Rejection Ratio for LDO | 3.8 | Power Supply Noise 300 mV _{PP} , Measured 10/90%, $f=217\ \text{Hz}$, $C_{EXT}=1\ \mu\text{F}$ | | 100 | | dB |

I²C Specifications (Fast Mode)

| Symbol | Parameter | Min. | Max. | Unit |
|---------------------|---|----------------------|------|------|
| f _{SCL} | SCL Clock Frequency | 0 | 400 | kHz |
| t _{HD;STA} | Hold Time (Repeated) START Condition | 0.6 | | μs |
| t _{LOW} | LOW Period of SCL Clock | 1.3 | | μs |
| t _{HIGH} | HIGH Period of SCL Clock | 0.6 | | μs |
| t _{SU;STA} | Set-up Time for Repeated START Condition | 0.6 | | μs |
| t _{HD;DAT} | Data Hold Time | 0 | 0.9 | μs |
| t _{SU;DAT} | Data Set-up Time ⁽⁶⁾ | 100 | | ns |
| t _r | Rise Time of SDA and SCL Signals ^(6,7) | 20+0.1C _b | 300 | ns |
| t _f | Fall Time of SDA and SCL Signals ^(6,7) | 20+0.1C _b | 300 | ns |
| t _{SU;STO} | Set-up Time for STOP Condition | 0.6 | | μs |
| t _{BUF} | BUS-Free Time between STOP and START Conditions | 1.3 | | μs |
| t _{SP} | Pulse Width of Spikes that Must Be Suppressed by the Input Filter | 0 | 50 | ns |

Notes:

- A Fast-Mode I²C-Bus® device can be used in a Standard-Mode I²C-Bus system; but the requirement t_{SU;DAT} ≥ 250 ns must be met. This is automatically the case if the device does not stretch the LOW period of the I2C_SCL signal. If the device does stretch the LOW period of the I2C_SCL signal, it must output the next data bit to the I2C_SDA line t_{r,max} + t_{SU;DAT} = 1000 + 250 = 1250 ns (according to the Standard-Mode I²C Bus specification) before the I2C_SCL line is released.
- C_b equals the total capacitance of one BUS line in pF. If mixed with high-speed devices, faster fall times are allowed according to the I²C specification.

I²C Timing

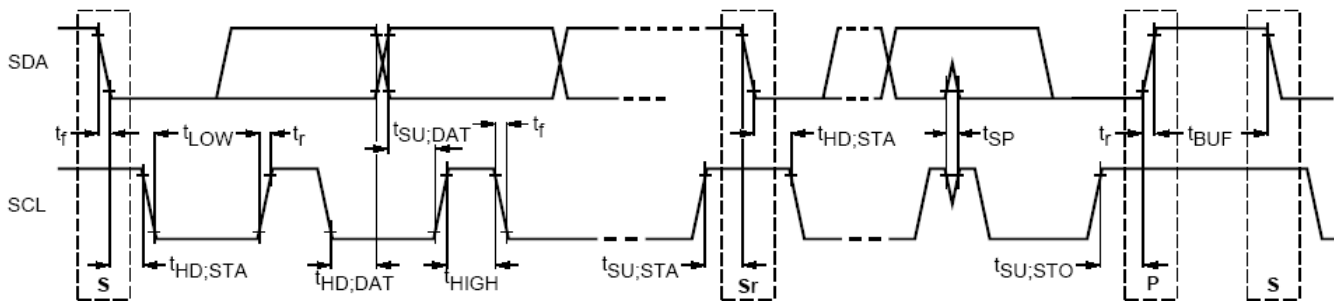


Figure 5. Definition of Timing for Full-Speed Mode Devices on the I²C Bus

| Name | Size(Bits) | Bit 7 | Bit 6 | Bit 5 | Bit 4 | Bit 3 | Bit 2 | Bit 1 | Bit 0 |
|---------------|------------|-------|-------|-------|-------|-------|-------|-------|------------|
| Slave Address | 8 | 0 | 1 | 0 | 0 | 0 | 1 | 1 | Read/White |

Figure 6. I²C Slave Address

Table 1. Register Definitions

| Address | Register | Type | Reset Values | Bit 7 | Bit 6 | Bit 5 | Bit 4 | Bit 3 | Bit 2 | Bit 1 | Bit 0 | |
|---------|----------------------|------|--------------|---|----------------------------|-----------------------------------|---------------------------------|---|---------------------------------|-------------------------------|--------------------------|--------------|
| 01H | Device ID | R | 00000000 | Version ID | | | | Reserved | | | | |
| 02H | Interrupt 1 | R | 00000000 | Reserved | | Send/End Long Key Press | Send/End Double Key Press | Send/End Key Press | Plug Disconnect | 4-Pole Plug Connect | 3-Pole Plug Connect | |
| 03H | Interrupt 2 | R | 00000000 | Reserved | | Volume Down Long Key release | Volume Down Long Key Press | Volume Down Key Press | Volume Up Long Key release | Volume Up Long Key Press | Volume Up Key Press | |
| 04H | Interrupt Mask 1 | R/W | 00000000 | Reserved | | Send/End Long Key Press Mask | Send/End Double Key Press Mask | Send/End Key Press Mask | Plug Disconnect Mask | 4-Pole Plug Connect Mask | 3-Pole Plug Connect Mask | |
| 05H | Interrupt Mask 2 | R/W | 00000000 | Reserved | | Volume Down Long Key release Mask | Volume Down Long Key Press Mask | Volume Down Key Press Mask | Volume Up Long Key Release Mask | Volume Up Long Key Press Mask | Volume Up Key Press Mask | |
| 06H | Global Multiplier | R/W | 00000100 | Reserved | | | | | Global Multiplier Number | | | |
| 07H | J_DET Timing | R/W | 10000010 | Insert ($t_{\text{DET-IN}}$) | | | | Removal ($t_{\text{DET-REM}}$) Global Multiplier Does not apply | | | | |
| 08H | Key Press Timing | R/W | 01111000 | Double Key Press Timing ($t_{\text{KEY-DOUBLE}}$) | | | | Long Key Press Timing ($t_{\text{KEY-LONG}}$) | | | | |
| 09H | Music Mode Timing | R/W | 00101000 | Key Press Polling Time (t_{POLL}) | | | | Key Press Waiting Time (t_{WAIT}) | | | | |
| 0AH | Detection Timing | R/W | 01010101 | Key Press timing for volume up and volume down ($t_{\text{KEY-PRESS}}$) | | | | Detection Time ($t_{\text{DET-MIC}}$) | | | | |
| 0BH | Debounce Timing | R/W | 10011000 | Debounce for ESD Event on J_DET ($t_{\text{ESD-DE}}$) | | | | Key Press Debounce Timing (t_{KBK}) | | | | |
| 0CH | Control | R/W | 01001000 | Stuck S/E On/Off | All Key as Send/End On/Off | Double Key Press On/Off | Long Key Press On/Off | Music Mode | Jack Det On/Off | 3/ 4-Pole Det On/Off | LDO Output On/Off | |
| 0DH | Detection Thresholds | R/W | 11101010 | Comparator 2 (Send/End Key - Normally Closed) | | | | Comparator 1 (Send/End Key - Normally Open) | | | | |
| 0EH | Detection Thresholds | R/W | 01111001 | Comparator 4 (Volume Down) | | | | Comparator 3 (Volume Down) | | | | |
| 0FH | Reset Control | R/W | 00000000 | Reserved | | | | | | | Jack Removal Reset | Global Reset |
| 10H | Reserved | R/W | Reserved | Reserved | | | | | | | | |

Notes:

8. Write "0" to undefined register bits.
9. Values read from undefined register bits are not defined and are invalid.
10. Blocks in green color mean setting change is implemented upon next use.
11. Blocks in blue color mean setting change is implemented after jack removal.

Table 2. I²C Control

Reserved Register bit read out as 0

Address: 01H

Reset Value: 00000000

Type: Read

| Device ID | | | Default | 00000000 |
|-----------|------------|------|--------------------|----------|
| Bit # | Name | Size | Function | |
| 0:3 | Reserved | 4 | Do Not Use | |
| 4:7 | Version ID | 4 | 0000 = Version 0.0 | |
| | | | 0001 = Version 0.1 | |

Table 3. Interrupt 1

Address: 02H

Reset Value: 00000000

Type: Read/Clear

| Interrupt 1 | | | Default | 00000000 |
|-------------|---------------------------|------|------------------------------------|----------|
| Bit # | Name | Size | Function | |
| 0 | 3-Pole Plug Connect | 1 | 0: No Headset Connected | |
| | | | 1: 3-Pole Headset Connected | |
| 1 | 4-Pole Plug Connect | 1 | 0: No Headset Connected | |
| | | | 1: 4-Pole Headset Connected | |
| 2 | Plug Disconnect | 1 | 0: No Update | |
| | | | 1: Headset Disconnected | |
| 3 | Send/End Key Press | 1 | 0: Send/End Key Not Pressed | |
| | | | 1: Send/End Key Pressed | |
| 4 | Send/End Double Key Press | 1 | 0: Send/End Double Key Not Pressed | |
| | | | 1: Send/End Double Key Pressed | |
| 5 | Send/End Long Key Press | 1 | 0: Send/End Long Key not Pressed | |
| | | | 1: Send/End Long Key Pressed | |
| 6:7 | Reserved | 2 | Do Not Use | |

Table 4. Interrupt 2

Address: 03H

Reset Value: 00000000

Type: Read/Clear

| Interrupt 2 | | | Default | 00000000 |
|-------------|------------------------------|------|-------------------------------------|----------|
| Bit # | Name | Size | Function | |
| 0 | Volume Up Key Press | 1 | 0: Volume Up key not pressed | |
| | | | 1: Volume Up key pressed | |
| 1 | Volume Up Key Long Press | 1 | 0: Volume Up Long key not pressed | |
| | | | 1: Volume Up Long key pressed | |
| 2 | Volume Up Key Long Release | 1 | 0: Volume Up Long key not released | |
| | | | 1: Volume Up Long key released | |
| 3 | Volume Down Key Press | 1 | 0: Volume Down key not pressed | |
| | | | 1: Volume Down Key Press | |
| 4 | Volume Down Long Key Press | 1 | 0: Volume Down Long Key Not Pressed | |
| | | | 1: Volume Down Long Key Pressed | |
| 5 | Volume Down Long Key Release | 1 | 0: Volume Down Key Not Released | |
| | | | 1: Volume Down Key Released | |
| 6:7 | Reserved | 2 | Do Not Use | |

Table 5. Interrupt Mask 1

Address: 04H

Reset Value: 00000000

Type: Read/Write

| Interrupt Mask 1 | | | Default | 00000000 |
|------------------|---------------------------|------|--|----------|
| Bit # | Name | Size | Function | |
| 0 | 3-Pole Plug Connect | 1 | 0: Do Not Mask 3-Pole Plug Connect Interrupt | |
| | | | 1: Mask 3-Pole Plug Connect Interrupt | |
| 1 | 4-Pole Plug Connect | 1 | 0: Do Not Mask 4-Pole Plug Connect Interrupt | |
| | | | 1: Mask 4-Pole Plug Connect Interrupt | |
| 2 | Plug Disconnect | 1 | 0: Do Not Mask Plug Disconnect Interrupt | |
| | | | 1: Mask Plug Disconnect Interrupt | |
| 3 | Send/End Key Press | 1 | 0: Do Not Mask Send/End Key Press Interrupt | |
| | | | 1: Mask Send/End Key Press Interrupt | |
| 4 | Send/End Double Key Press | 1 | 0: Do Not Mask Send/End Key Double Press Interrupt | |
| | | | 1: Mask Send/End Key Double Key Press Interrupt | |
| 5 | Send/End Long Key Press | 1 | 0: Do Not Mask Send/End Long Key Press Interrupt | |
| | | | 1: Mask Send/End Long Key Press Interrupt | |
| 6:7 | Reserved | 2 | Do Not Use | |

Table 6. Interrupt Mask 2

Address: 05H

Reset Value: 00000000

Type: Read/Write

| Interrupt Mask 2 | | | Default | 00000000 |
|------------------|------------------------------|------|---|----------|
| Bit # | Name | Size | Function | |
| 0 | Volume Up Key Press | 1 | 0: Do Not Mask Volume Up Key Press Interrupt | |
| | | | 1: Mask Volume Up Key Press Interrupt | |
| 1 | Volume Up Key Long Press | 1 | 0: Do Not Mask Volume Up Long Key Press Interrupt | |
| | | | 1: Mask Volume Up Long Key Press Interrupt | |
| 2 | Volume Up Key Long Release | 1 | 0: Do Not Mask Volume Up Long Key Release Interrupt | |
| | | | 1: Mask Volume Up Long Key Release Interrupt | |
| 3 | Volume Down Key Press | 1 | 0: Do Not Mask Volume Down Key Press Interrupt | |
| | | | 1: Mask Volume Down Key Press Interrupt | |
| 4 | Volume Down Long Key Press | 1 | 0: Do Not Mask Volume Down Long Key Press Interrupt | |
| | | | 1: Mask Volume Down Long Key Press Interrupt | |
| 5 | Volume Down Long Key Release | 1 | 0: Do Not Mask Volume Down key Release Interrupt | |
| | | | 1: Mask Volume Down key released Interrupt | |
| 6:7 | Reserved | 2 | Do Not Use | |

Table 7. Global Multiplier Number

Address: 06H

Reset Value: 00000100

Type: Read/Write

| Global Multiplier Number | | | | | | | | Default | 00000100 |
|--------------------------|-------|-------|-------|-------|-------|-------|-------|----------|----------|
| Bit 7 | Bit 6 | Bit 5 | Bit 4 | Bit 3 | Bit 2 | Bit 1 | Bit 0 | Function | |
| Reserved | | | | | 0 | 0 | 0 | 1/16 | |
| Reserved | | | | | 0 | 0 | 1 | 1/8 | |
| Reserved | | | | | 0 | 1 | 0 | 1/4 | |
| Reserved | | | | | 0 | 1 | 1 | 1/2 | |
| Reserved | | | | | 1 | 0 | 0 | 1 | |
| Reserved | | | | | 1 | 0 | 1 | 2 | |
| Reserved | | | | | 1 | 1 | 0 | 4 | |
| Reserved | | | | | 1 | 1 | 1 | 8 | |

Table 8. J_DET Timing

Address: 07H

Reset Value: 10000010

Type: Read/Write

| J_DET Timing | | | | | | | | | | Default | 10000010 |
|--------------------------|-------|-------|-------|----------|---|-------|-------|-------|----------|---------|----------|
| Insert (t_{DET_IN}) | | | | | Removal (t_{DET_REM}) (Global Multiplier Does Not Apply) | | | | | | |
| Bit 7 | Bit 6 | Bit 5 | Bit 4 | Function | Bit 3 | Bit 2 | Bit 1 | Bit 0 | Function | | |
| 0 | 0 | 0 | 0 | 100 | 0 | 0 | 0 | 0 | 10 | | |
| 0 | 0 | 0 | 1 | 150 | 0 | 0 | 0 | 1 | 20 | | |
| 0 | 0 | 1 | 0 | 200 | 0 | 0 | 1 | 0 | 30 | | |
| 0 | 0 | 1 | 1 | 250 | 0 | 0 | 1 | 1 | 40 | | |
| 0 | 1 | 0 | 0 | 300 | 0 | 1 | 0 | 0 | 50 | | |
| 0 | 1 | 0 | 1 | 350 | 0 | 1 | 0 | 1 | 60 | | |
| 0 | 1 | 1 | 0 | 400 | 0 | 1 | 1 | 0 | 70 | | |
| 0 | 1 | 1 | 1 | 450 | 0 | 1 | 1 | 1 | 80 | | |
| 1 | 0 | 0 | 0 | 500 | 1 | 0 | 0 | 0 | 90 | | |
| 1 | 0 | 0 | 1 | 550 | 1 | 0 | 0 | 1 | 100 | | |
| 1 | 0 | 1 | 0 | 600 | 1 | 0 | 1 | 0 | 110 | | |
| 1 | 0 | 1 | 1 | 650 | 1 | 0 | 1 | 1 | 120 | | |
| 1 | 1 | 0 | 0 | 700 | 1 | 1 | 0 | 0 | 130 | | |
| 1 | 1 | 0 | 1 | 750 | 1 | 1 | 0 | 1 | 140 | | |
| 1 | 1 | 1 | 0 | 800 | 1 | 1 | 1 | 0 | 140 | | |
| 1 | 1 | 1 | 1 | 850 | 1 | 1 | 1 | 1 | 140 | | |

Table 9. Key Press Timing

Address: 08H

Reset Value: 01111000

Type: Read/Write

| Key Press Timing | | | | | | | | | | Default | 00101000 |
|-----------------------------------|-------|-------|-------|----------|-------------------------------|-------|-------|-------|----------|---------|----------|
| Double Key Press (t_{DOUBLE}) | | | | | Long Key Press (t_{LONG}) | | | | | | |
| Bit 7 | Bit 6 | Bit 5 | Bit 4 | Function | Bit 3 | Bit 2 | Bit 1 | Bit 0 | Function | | |
| 0 | 0 | 0 | 0 | 100 | ms | 0 | 0 | 0 | 0 | 500 | ms |
| 0 | 0 | 0 | 1 | 200 | | 0 | 0 | 0 | 1 | 550 | |
| 0 | 0 | 1 | 0 | 300 | | 0 | 0 | 1 | 0 | 600 | |
| 0 | 0 | 1 | 1 | 400 | | 0 | 0 | 1 | 1 | 650 | |
| 0 | 1 | 0 | 0 | 500 | | 0 | 1 | 0 | 0 | 700 | |
| 0 | 1 | 0 | 1 | 600 | | 0 | 1 | 0 | 1 | 750 | |
| 0 | 1 | 1 | 0 | 800 | | 0 | 1 | 1 | 0 | 800 | |
| 0 | 1 | 1 | 1 | 1000 | | 0 | 1 | 1 | 1 | 850 | |
| 1 | 0 | 0 | 0 | 1100 | | 1 | 0 | 0 | 0 | 900 | |
| 1 | 0 | 0 | 1 | 1200 | | 1 | 0 | 0 | 1 | 1000 | |
| 1 | 0 | 1 | 0 | 1300 | | 1 | 0 | 1 | 0 | 1100 | |
| 1 | 0 | 1 | 1 | 1400 | | 1 | 0 | 1 | 1 | 1200 | |
| 1 | 1 | 0 | 0 | 1500 | | 1 | 1 | 0 | 0 | 1300 | |
| 1 | 1 | 0 | 1 | 1600 | | 1 | 1 | 0 | 1 | 1400 | |
| 1 | 1 | 1 | 0 | 1800 | | 1 | 1 | 1 | 0 | 1500 | |
| 1 | 1 | 1 | 1 | 2000 | | 1 | 1 | 1 | 1 | 2000 | |

Table 10. Music Mode Timing

Address: 09H

Reset Value: 01011000

Type: Read/Write

| Music Mode Timing | | | | | | | | | | Default | 01011000 |
|---------------------------------------|-------|-------|-------|----------|---------------------------------------|-------|-------|-------|----------|---------|----------|
| Key Press Polling Time (t_{POLL}) | | | | | Key Press Waiting Time (t_{WAIT}) | | | | | | |
| Bit 7 | Bit 6 | Bit 5 | Bit 4 | Function | Bit 3 | Bit 2 | Bit 1 | Bit 0 | Function | | |
| 0 | 0 | 0 | 0 | 5 | ms | 0 | 0 | 0 | 0 | 5 | ms |
| 0 | 0 | 0 | 1 | 10 | | 0 | 0 | 0 | 1 | 10 | |
| 0 | 0 | 1 | 0 | 15 | | 0 | 0 | 1 | 0 | 15 | |
| 0 | 0 | 1 | 1 | 20 | | 0 | 0 | 1 | 1 | 20 | |
| 0 | 1 | 0 | 0 | 25 | | 0 | 1 | 0 | 0 | 25 | |
| 0 | 1 | 0 | 1 | 30 | | 0 | 1 | 0 | 1 | 30 | |
| 0 | 1 | 1 | 0 | 35 | | 0 | 1 | 1 | 0 | 50 | |
| 0 | 1 | 1 | 1 | 40 | | 0 | 1 | 1 | 1 | 100 | |
| 1 | 0 | 0 | 0 | 45 | | 1 | 0 | 0 | 0 | 150 | |
| 1 | 0 | 0 | 1 | 50 | | 1 | 0 | 0 | 1 | 200 | |
| 1 | 0 | 1 | 0 | 60 | | 1 | 0 | 1 | 0 | 250 | |
| 1 | 0 | 1 | 1 | 70 | | 1 | 0 | 1 | 1 | 300 | |
| 1 | 1 | 0 | 0 | 80 | | 1 | 1 | 0 | 0 | 350 | |
| 1 | 1 | 0 | 1 | 90 | | 1 | 1 | 0 | 1 | 400 | |
| 1 | 1 | 1 | 0 | 100 | | 1 | 1 | 1 | 0 | 450 | |
| 1 | 1 | 1 | 1 | 150 | | 1 | 1 | 1 | 1 | 500 | |

Table 11. Detection Timing

Address: 0AH

Reset Value: 01010101

Type: Read/Write

| Detection Timing | | | | | Default | 01010101 | | | | | |
|--|-------|-------|-------|----------|-----------------------------------|----------|-------|-------|----------|-----|----|
| Key Press Timing for Volume Up and Volume Down (t_{KEY}) | | | | | Detection Time (t_{DET_MIC}) | | | | | | |
| Bit 7 | Bit 6 | Bit 5 | Bit 4 | Function | Bit 3 | Bit 2 | Bit 1 | Bit 0 | Function | | |
| 0 | 0 | 0 | 0 | 50 | ms | 0 | 0 | 0 | 0 | 5 | ms |
| 0 | 0 | 0 | 1 | 100 | | 0 | 0 | 0 | 1 | 10 | |
| 0 | 0 | 1 | 0 | 150 | | 0 | 0 | 1 | 0 | 15 | |
| 0 | 0 | 1 | 1 | 200 | | 0 | 0 | 1 | 1 | 20 | |
| 0 | 1 | 0 | 0 | 250 | | 0 | 1 | 0 | 0 | 25 | |
| 0 | 1 | 0 | 1 | 300 | | 0 | 1 | 0 | 1 | 50 | |
| 0 | 1 | 1 | 0 | 350 | | 0 | 1 | 1 | 0 | 75 | |
| 0 | 1 | 1 | 1 | 400 | | 0 | 1 | 1 | 1 | 100 | |
| 1 | 0 | 0 | 0 | 450 | | 1 | 0 | 0 | 0 | 150 | |
| 1 | 0 | 0 | 1 | 500 | | 1 | 0 | 0 | 1 | 200 | |
| 1 | 0 | 1 | 0 | 550 | | 1 | 0 | 1 | 0 | 250 | |
| 1 | 0 | 1 | 1 | 600 | | 1 | 0 | 1 | 1 | 300 | |
| 1 | 1 | 0 | 0 | 650 | | 1 | 1 | 0 | 0 | 350 | |
| 1 | 1 | 0 | 1 | 700 | | 1 | 1 | 0 | 1 | 400 | |
| 1 | 1 | 1 | 0 | 750 | | 1 | 1 | 1 | 0 | 450 | |
| 1 | 1 | 1 | 1 | 800 | | 1 | 1 | 1 | 1 | 500 | |

Table 12. Key Press Debounce Timing

Address: 0BH

Reset Value: 10011000

Type: Read/Write

| Key Press Debounce Timing | | | | | Default | 10011000 | | | | | |
|--|-------|-------|-------|----------|---------------------------|----------|-------|-------|----------|----|----|
| Debounce Timing for ESD Event on J_DET (Global Multiplier Does Not Apply) | | | | | Key Press Debounce Timing | | | | | | |
| Bit 7 | Bit 6 | Bit 5 | Bit 4 | Function | Bit 3 | Bit 2 | Bit 1 | Bit 0 | Function | | |
| 0 | 0 | 0 | 0 | 100 | μs | 0 | 0 | 0 | 0 | 5 | ms |
| 0 | 0 | 0 | 1 | 200 | | 0 | 0 | 0 | 1 | 10 | |
| 0 | 0 | 1 | 0 | 300 | | 0 | 0 | 1 | 0 | 15 | |
| 0 | 0 | 1 | 1 | 400 | | 0 | 0 | 1 | 1 | 20 | |
| 0 | 1 | 0 | 0 | 500 | | 0 | 1 | 0 | 0 | 25 | |
| 0 | 1 | 0 | 1 | 600 | | 0 | 1 | 0 | 1 | 30 | |
| 0 | 1 | 1 | 0 | 700 | | 0 | 1 | 1 | 0 | 35 | |
| 0 | 1 | 1 | 1 | 800 | | 0 | 1 | 1 | 1 | 40 | |
| 1 | 0 | 0 | 0 | 900 | | 1 | 0 | 0 | 0 | 45 | |
| 1 | 0 | 0 | 1 | 1000 | | 1 | 0 | 0 | 1 | 50 | |
| 1 | 0 | 1 | 0 | 1200 | | 1 | 0 | 1 | 0 | 55 | |
| 1 | 0 | 1 | 1 | 1400 | | 1 | 0 | 1 | 1 | 60 | |
| 1 | 1 | 0 | 0 | 1600 | | 1 | 1 | 0 | 0 | 65 | |
| 1 | 1 | 0 | 1 | 1800 | | 1 | 1 | 0 | 1 | 70 | |
| 1 | 1 | 1 | 0 | 2000 | | 1 | 1 | 1 | 0 | 75 | |
| 1 | 1 | 1 | 1 | 5000 | | 1 | 1 | 1 | 1 | 80 | |

Table 13. Control 1

Address: 0CH
 Reset Value: 01001000
 Type: Read/Write

| Control 1 | | | Default | 01001000 |
|-----------|------------------------------|------|---|----------|
| Bit # | Name | Size | Function | |
| 0 | LDO Output | 1 | 0: LDO Output On 1: LDO Output Off | |
| 1 | MIC Detection | 1 | 0: MIC Detection On 1: MIC Detection Off | |
| 2 | Jack detection | 1 | 0: Jack Detection On 1: Jack Detection Off | |
| 3 | Music Mode | 1 | 0: Music Mode On 1: Music Mode Off | |
| 4 | Long Key Press Function | 1 | 0: Long Key Press Function On 1: Long Key Press Function Off | |
| 5 | Double Key Press Function | 1 | 0: Double Key Press Function On 1: Double Key Press Function Off | |
| 6 | All Key as Send/End Function | 1 | 0: All Key as Send/End Function On 1: All Key as Send/End Function Off | |
| 7 | Stuck S/E Function | 1 | 0: Stuck Send/End Function On 1: Stuck Send/End Function OFF | |

Table 14. Detection Thresholds 1

Address: 0DH
 Reset Value: 11101010
 Type: Read/Write

| Detection Thresholds 1 | | | | | | | | | | Default | 11101010 |
|-------------------------|-------|-------|-------|-------------|---|-------|-------|-------|------------|---------|----------|
| Normally Closed S/E Key | | | | | Normally Open S/E Key Maximum/Volume up Key Minimum | | | | | | |
| Bit 7 | Bit 6 | Bit 5 | Bit 4 | Function | Bit 3 | Bit 2 | Bit 1 | Bit 0 | Function | | |
| 0 | 0 | 0 | 0 | 1000 | 0 | 0 | 0 | 0 | 20 | | |
| 0 | 0 | 0 | 1 | 1100 | 0 | 0 | 0 | 1 | 30 | | |
| 0 | 0 | 1 | 0 | 1200 | 0 | 0 | 1 | 0 | 40 | | |
| 0 | 0 | 1 | 1 | 1300 | 0 | 0 | 1 | 1 | 50 | | |
| 0 | 1 | 0 | 0 | 1400 | 0 | 1 | 0 | 0 | 60 | | |
| 0 | 1 | 0 | 1 | 1500 | 0 | 1 | 0 | 1 | 70 | | |
| 0 | 1 | 1 | 0 | 1600 | 0 | 1 | 1 | 0 | 80 | | |
| 0 | 1 | 1 | 1 | 1650 | 0 | 1 | 1 | 1 | 90 | | |
| 1 | 0 | 0 | 0 | 1700 | 1 | 0 | 0 | 0 | 100 | | |
| 1 | 0 | 0 | 1 | 1750 | 1 | 0 | 0 | 1 | 110 | | |
| 1 | 0 | 1 | 0 | 1800 | 1 | 0 | 1 | 0 | 120 | | |
| 1 | 0 | 1 | 1 | 1900 | 1 | 0 | 1 | 1 | 130 | | |
| 1 | 1 | 0 | 0 | 2000 | 1 | 1 | 0 | 0 | 140 | | |
| 1 | 1 | 0 | 1 | 2200 | 1 | 1 | 0 | 1 | 150 | | |
| 1 | 1 | 1 | 0 | 2300 | 1 | 1 | 1 | 0 | 160 | | |
| 1 | 1 | 1 | 1 | 2400 | 1 | 1 | 1 | 1 | 170 | | |

Table 15. Detection Thresholds 2

Address: 0EH

Reset Value: 01110111

Type: Read/Write

| Detection Thresholds 2 | | | | | | | | | | Default | 01111001 |
|-------------------------|-------|-------|-------|----------|---|-------|-------|-------|----------|---------|----------|
| Volume Down Key Maximum | | | | | Volume Up Key Maximum/Volume Down Key Minimum | | | | | | |
| Bit 7 | Bit 6 | Bit 5 | Bit 4 | Function | Bit 3 | Bit 2 | Bit 1 | Bit 0 | Function | | |
| 0 | 0 | 0 | 0 | 270 | mV | 0 | 0 | 0 | 0 | 110 | mV |
| 0 | 0 | 0 | 1 | 330 | | 0 | 0 | 0 | 1 | 125 | |
| 0 | 0 | 1 | 0 | 390 | | 0 | 0 | 1 | 0 | 145 | |
| 0 | 0 | 1 | 1 | 450 | | 0 | 0 | 1 | 1 | 160 | |
| 0 | 1 | 0 | 0 | 510 | | 0 | 1 | 0 | 0 | 175 | |
| 0 | 1 | 0 | 1 | 570 | | 0 | 1 | 0 | 1 | 190 | |
| 0 | 1 | 1 | 0 | 630 | | 0 | 1 | 1 | 0 | 205 | |
| 0 | 1 | 1 | 1 | 690 | | 0 | 1 | 1 | 1 | 220 | |
| 1 | 0 | 0 | 0 | 750 | | 1 | 0 | 0 | 0 | 235 | |
| 1 | 0 | 0 | 1 | 810 | | 1 | 0 | 0 | 1 | 250 | |
| 1 | 0 | 1 | 0 | 870 | | 1 | 0 | 1 | 0 | 265 | |
| 1 | 0 | 1 | 1 | 930 | | 1 | 0 | 1 | 1 | 280 | |
| 1 | 1 | 0 | 0 | 990 | | 1 | 1 | 0 | 0 | 295 | |
| 1 | 1 | 0 | 1 | 1050 | | 1 | 1 | 0 | 1 | 310 | |
| 1 | 1 | 1 | 0 | 1120 | | 1 | 1 | 1 | 0 | 325 | |
| 1 | 1 | 1 | 1 | 1190 | | 1 | 1 | 1 | 1 | 340 | |

Table 16. Reset Control

Address: 0FH

Reset Value: 00000000

Type: Read/Write

| Reset Control | | | Default | 00000000 |
|---------------|--------------------|------|--|----------|
| Bit # | Name | Size | Function | |
| 0 | Global Reset | 1 | 0: No Change 1: Reset Device Reset to all I2C into default values (timing, comparator threshold) | |
| 1 | Jack Removal Reset | 1 | 0: No Change 1: Clear I2C register related to Jack Removal process (interrupt) | |
| 2:7 | Reserved | 5 | Do Not Use | |

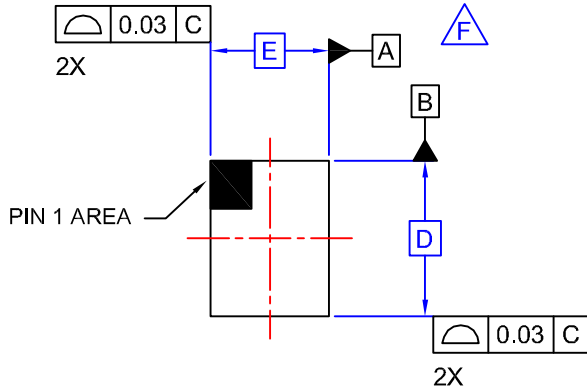
Nominal Values

| Bump Pitch | Overall Package Height | Silicon Thickness | Solder Bump Height | Solder Bump Diameter |
|------------|------------------------|-------------------|--------------------|----------------------|
| 0.4 mm | 0.586 mm | 0.378 mm | 0.208 mm | 0.260 mm |

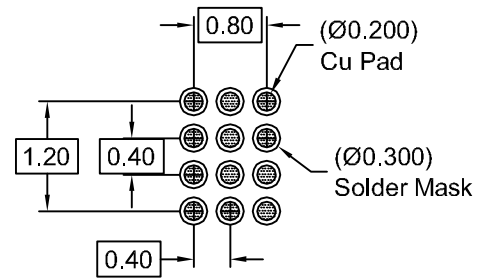
Package Specific Dimensions

| D | E | X | Y |
|---------|---------|---------|---------|
| 1.56 mm | 1.16 mm | 0.18 mm | 0.18 mm |

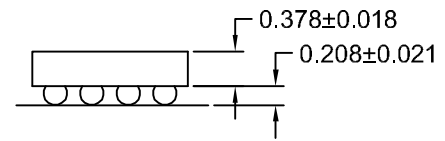
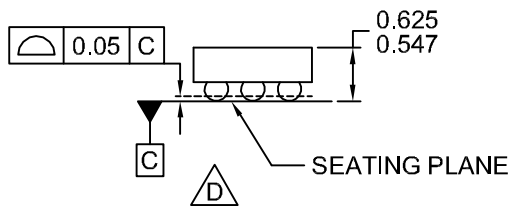
| REVISIONS | | | |
|-----------|--------------------------|---------|-------------------|
| REV | DESCRIPTION | DATE | APP'D / SITE |
| 1 | Initial drawing release. | 8-19-09 | L. England / FSME |



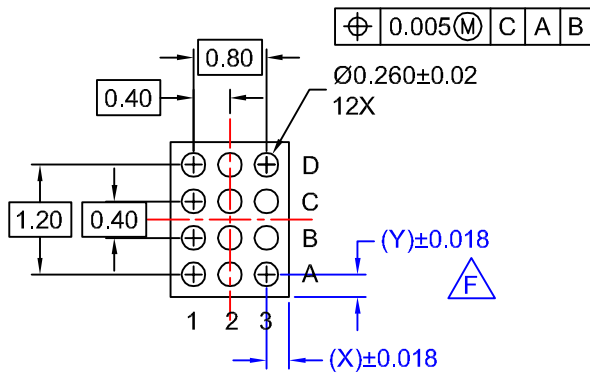
TOP VIEW



RECOMMENDED LAND PATTERN
(NSMD PAD TYPE)



SIDE VIEWS



BOTTOM VIEW

NOTES:

- A. NO JEDEC REGISTRATION APPLIES.
- B. DIMENSIONS ARE IN MILLIMETERS.
- C. DIMENSIONS AND TOLERANCES PER ASME Y14.5M, 1994.
- D.** DATUM C IS DEFINED BY THE SPHERICAL CROWNS OF THE BALLS.
- E. PACKAGE NOMINAL HEIGHT IS 586 MICRONS ±39 MICRONS (547-625 MICRONS).
- F.** FOR DIMENSIONS D, E, X, AND Y SEE PRODUCT DATASHEET.
- G. DRAWING FILENAME: MKT-UC012ACrev1.

| APPROVALS | | DATE | FAIRCHILD SEMICONDUCTOR™ | | | |
|------------|------------|---------|--|------|----------------|-----|
| DRAWN | L. England | 8-19-09 | 12BALL WLCSP, 3X4 ARRAY 0.4MM PITCH, 250UM BALL | | | |
| DFTG. CHK. | S. Martin | 8-19-09 | | | | |
| ENGR. CHK. | | | | | | |
| | | | | | | |
| | | | SCALE | SIZE | DRAWING NUMBER | REV |
| | | | N/A | N/A | MKT-UC012AC | 1 |
| | | | DO NOT SCALE DRAWING | | SHEET 1 of 1 | |

ON Semiconductor and  are trademarks of Semiconductor Components Industries, LLC dba ON Semiconductor or its subsidiaries in the United States and/or other countries. ON Semiconductor owns the rights to a number of patents, trademarks, copyrights, trade secrets, and other intellectual property. A listing of ON Semiconductor's product/patent coverage may be accessed at www.onsemi.com/site/pdf/Patent-Marking.pdf. ON Semiconductor reserves the right to make changes without further notice to any products herein. ON Semiconductor makes no warranty, representation or guarantee regarding the suitability of its products for any particular purpose, nor does ON Semiconductor assume any liability arising out of the application or use of any product or circuit, and specifically disclaims any and all liability, including without limitation special, consequential or incidental damages. Buyer is responsible for its products and applications using ON Semiconductor products, including compliance with all laws, regulations and safety requirements or standards, regardless of any support or applications information provided by ON Semiconductor. "Typical" parameters which may be provided in ON Semiconductor data sheets and/or specifications can and do vary in different applications and actual performance may vary over time. All operating parameters, including "Typicals" must be validated for each customer application by customer's technical experts. ON Semiconductor does not convey any license under its patent rights nor the rights of others. ON Semiconductor products are not designed, intended, or authorized for use as a critical component in life support systems or any FDA Class 3 medical devices or medical devices with a same or similar classification in a foreign jurisdiction or any devices intended for implantation in the human body. Should Buyer purchase or use ON Semiconductor products for any such unintended or unauthorized application, Buyer shall indemnify and hold ON Semiconductor and its officers, employees, subsidiaries, affiliates, and distributors harmless against all claims, costs, damages, and expenses, and reasonable attorney fees arising out of, directly or indirectly, any claim of personal injury or death associated with such unintended or unauthorized use, even if such claim alleges that ON Semiconductor was negligent regarding the design or manufacture of the part. ON Semiconductor is an Equal Opportunity/Affirmative Action Employer. This literature is subject to all applicable copyright laws and is not for resale in any manner.

PUBLICATION ORDERING INFORMATION

LITERATURE FULFILLMENT:

Literature Distribution Center for ON Semiconductor
19521 E. 32nd Pkwy, Aurora, Colorado 80011 USA
Phone: 303-675-2175 or 800-344-3860 Toll Free USA/Canada
Fax: 303-675-2176 or 800-344-3867 Toll Free USA/Canada
Email: orderlit@onsemi.com

N. American Technical Support: 800-282-9855 Toll Free
USA/Canada
Europe, Middle East and Africa Technical Support:
Phone: 421 33 790 2910
Japan Customer Focus Center
Phone: 81-3-5817-1050

ON Semiconductor Website: www.onsemi.com
Order Literature: <http://www.onsemi.com/orderlit>
For additional information, please contact your local
Sales Representative