

# PI3HDX1204-B

## HDMI 2.0 ReDriver and DisplayPort Level Shifter with Equalization, De-emphasis & Pre-shoot

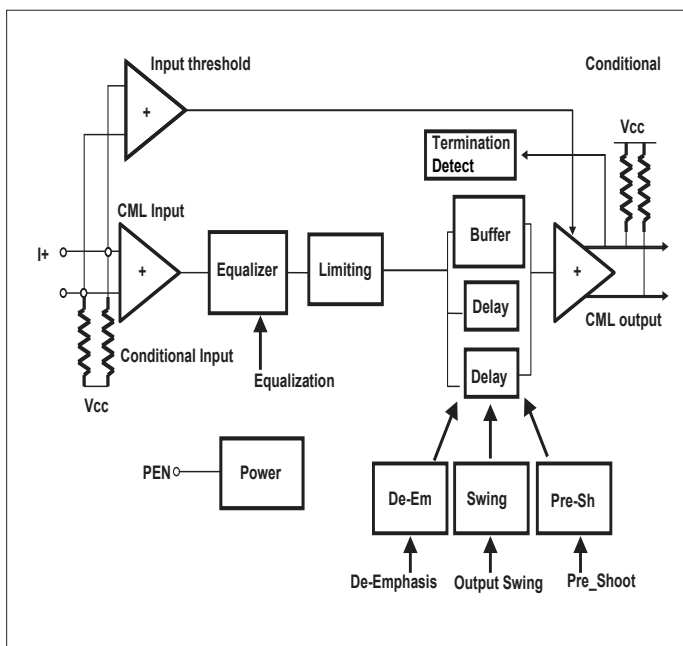
Pericom Semiconductor’s PI3HDX1204-B is suitable for 6.0Gbps HDMI2.0 ReDriver with programmable equalization, output swing, pre-shoot, and de-emphasis. It can also be used for the Displayport 1.2 Level Shifter application. This configuration can be used in conjunction with pin strapping or I<sup>2</sup>C programming to optimize signal performance over a variety of physical mediums.

PI3HDX1204-B supports four differential data channels and extends the signals across other sink side application devices.

### Applications

- ➔ Notebook, Desktops, Mobile Computers
- ➔ TV, Set-top-Box and Projectors
- ➔ Embedded Display Systems

### Block Diagram



### Features

- ➔ Support HDMI2.0 TMDS channels with minimal add-in jitters
- ➔ Design for dual-mode DisplayPort Level Shifter
- ➔ Independent each channel receiver Equalization, Output Swing, Pre-shoot and De-emphasis
- ➔ Built-in Channel Activity Detector with selectable input termination between 50Ω to V<sub>DD</sub> and 200KΩ to V<sub>DD</sub>
- ➔ Pin Strap and I<sup>2</sup>C selectable device programming mode
- ➔ Supply Voltage: 3.3V
- ➔ Industrial Temperature Range: -40°C to 85°C
- ➔ Packaging (Pb-free & Green): 42-contact TQFN (9mm x 3.5mm)

### Typical Application Diagram

