

100 Pin Enhanced Super I/O Controller with LPC Interface for Consumer Applications

FEATURES

- 3.3 Volt Operation (5 Volt Tolerant)
- LPC Interface
- ACPI 1.0 Compliant
- Fan Control
 - Fan Speed Control Outputs
 - Fan Tachometer Inputs
- Programmable Wake-up Event Interface
- PC98, PC99 Compliant
- Dual Game Port Interface
- MPU-401 MIDI Support
- General Purpose Input/Output Pins
- ISA Plug-and-Play Compatible Register Set
- Intelligent Auto Power Management
- System Management Interrupt
- 2.88MB Super I/O Floppy Disk Controller
 - Licensed CMOS 765B Floppy Disk Controller
 - Software and Register Compatible with SMSC's Proprietary 82077AA Compatible Core
 - Supports Two Floppy Drives Directly
 - Configurable Open Drain/Push-Pull Output Drivers
 - Supports Vertical Recording Format
 - 16-Byte Data FIFO
 - 100% IBM Compatibility
 - Detects All Overrun and Underrun Conditions
 - Sophisticated Power Control Circuitry (PCC) Including Multiple Powerdown Modes for Reduced Power Consumption
 - DMA Enable Logic
 - Data Rate and Drive Control Registers
 - 480 Address, Up to Eight IRQ and Three DMA Options
- Enhanced Digital Data Separator
 - 2 Mbps, 1 Mbps, 500 Kbps, 300 Kbps, 250 Kbps Data Rates
 - Programmable Precompensation Modes
- Keyboard Controller
 - 8042 Software Compatible
 - 8 Bit Microcomputer
 - 2k Bytes of Program ROM
- 256 Bytes of Data RAM
- Four Open Drain Outputs Dedicated for Keyboard/Mouse Interface
- Asynchronous Access to Two Data Registers and One Status Register
- Supports Interrupt and Polling Access
- 8 Bit Counter Timer
- Port 92 Support
- Fast Gate A20 and KRESET Outputs
- Serial Ports
 - Two Full Function Serial Ports
 - High Speed NS16C550 Compatible UARTs with Send/Receive 16-Byte FIFOs
 - Supports 230k and 460k Baud Programmable Baud Rate Generator Modem Control Circuitry
 - 480 Address and 15 IRQ Options
- Infrared Port
 - Multiprotocol Infrared Interface
 - IrDA 1.0 Compliant
 - SHARP ASK IR
 - 480 Addresses, Up to 15 IRQ
- Multi-Mode Parallel Port with ChiProtect
 - Standard Mode IBM PC/XT®, PC/AT, and PS/2 Compatible Bidirectional Parallel Port
 - Enhanced Parallel Port (EPP) Compatible - EPP 1.7 and EPP 1.9 (IEEE 1284 Compliant)
 - IEEE 1284 Compliant Enhanced Capabilities Port (ECP)
 - ChiProtect Circuitry for Protection
 - 480 Address, Up to 15 IRQ and Three DMA Options
- LPC Interface
 - Multiplexed Command, Address and Data Bus
 - Serial IRQ Interface Compatible with Serialized IRQ Support for PCI Systems
 - PME Interface
- 100 Pin QFP package, lead-free RoHS compliant packages also available

ORDERING INFORMATION

LPC47M102S-MC for AMI BIOS in 100 pin QFP package (lead)

LPC47M102S-MS for AMI BIOS in 100 pin QFP lead-free RoHS compliant package

LPC47M107S-MC for Phoenix BIOS in 100 pin QFP package (lead)

LPC47M107S-MS for Phoenix BIOS in 100 pin QFP lead-free RoHS compliant package

GENERAL DESCRIPTION

The LPC47M10x* is a 3.3V (5V tolerant) PC98/PC99 compliant Super I/O controller. The LPC47M10x implements the LPC interface, a pin reduced ISA bus interface which provides the same or better performance as the ISA/X-bus with a substantial savings in pins used. The LPC47M10x provides fan control through two fan speed control output pins and two fan tachometer input pins. It also provides 37 general purpose input/output (GPIO) pins, a dual game port interface and MPU-401 MIDI support.

The LPC47M10x incorporates a keyboard interface, SMSC's true CMOS 765B floppy disk controller, advanced digital data separator, two 16C550A compatible UARTs, one Multi-Mode parallel port which includes ChiProtect circuitry plus EPP and ECP, on-chip 12 mA AT bus drivers, one floppy direct drive support, and Intelligent Power Management including PME support. The true CMOS 765B core provides 100% compatibility with IBM PC/XT and PC/AT architectures in addition to providing data overflow and underflow protection. The SMSC advanced digital data separator incorporates SMSC's patented data separator technology, allowing for ease of testing and use. Both on-chip UARTs are compatible with the NS16C550A. The parallel port is compatible with IBM PC/AT architecture, as well as IEEE 1284 EPP and ECP. The LPC47M10x incorporates sophisticated power control circuitry (PCC) which includes support for keyboard and mouse wake-up events. The PCC supports multiple low power-down modes.

The LPC47M10x supports the ISA Plug-and-Play Standard (Version 1.0a) and provides the recommended functionality to support Windows '95. The I/O Address, DMA Channel and hardware IRQ of each logical device in the LPC47M10x may be reprogrammed through the internal configuration registers. There are 480 I/O address location options, a Serialized IRQ interface, and three DMA channels.

The LPC47M10x does not require any external filter components and is therefore easy to use and offers lower system costs and reduced board area. The LPC47M10x is software and register compatible with SMSC's proprietary 82077AA core.

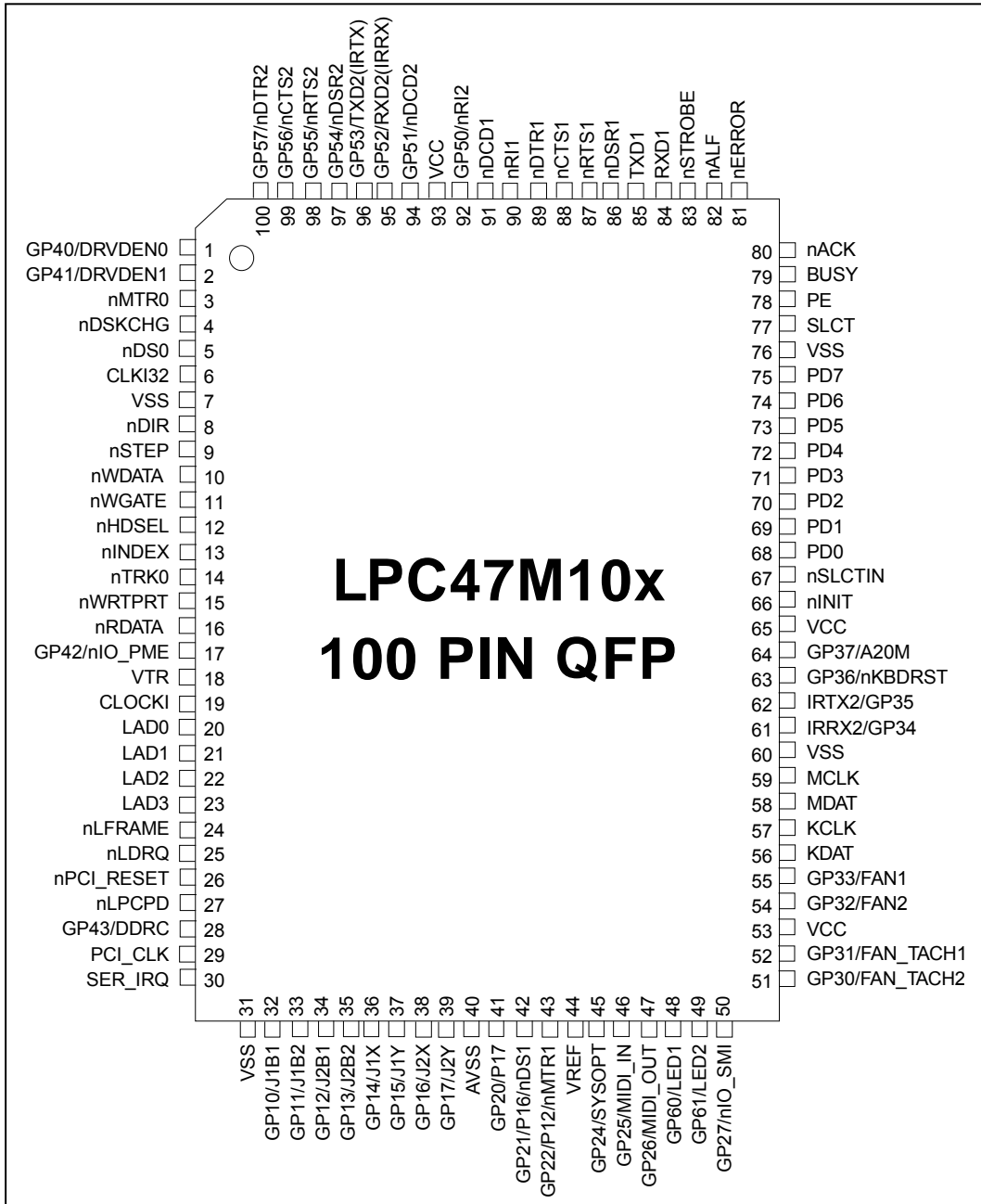
*The "x" in the part number is a designator that changes depending upon the particular BIOS used inside the specific chip. "2" denotes AMI Keyboard BIOS and "7" denotes Phoenix 42i Keyboard BIOS.

TABLE OF CONTENTS

| | |
|---|-----------|
| FEATURES | 1 |
| ORDERING INFORMATION | 2 |
| GENERAL DESCRIPTION | 2 |
| PIN CONFIGURATION | 5 |
| DESCRIPTION OF PIN FUNCTIONS | 6 |
| BUFFER TYPE DESCRIPTIONS | 10 |
| PINS THAT REQUIRE EXTERNAL PULLUP RESISTORS | 11 |
| BLOCK DIAGRAM | 12 |
| REFERENCE DOCUMENTS | 12 |
| 3 VOLT OPERATION / 5 VOLT TOLERANCE | 13 |
| POWER FUNCTIONALITY | 13 |
| VCC POWER..... | 13 |
| VTR SUPPORT..... | 13 |
| INTERNAL PWRGOOD | 13 |
| 32.768 KHZ TRICKLE CLOCK INPUT..... | 13 |
| INDICATION OF 32KHZ CLOCK..... | 14 |
| TRICKLE POWER FUNCTIONALITY | 14 |
| VREF PIN | 15 |
| MAXIMUM CURRENT VALUES | 15 |
| POWER MANAGEMENT EVENTS (PME/SCI)..... | 16 |
| FUNCTIONAL DESCRIPTION | 16 |
| SUPER I/O REGISTERS..... | 16 |
| HOST PROCESSOR INTERFACE (LPC) | 16 |
| LPC INTERFACE | 17 |
| FLOPPY DISK CONTROLLER | 21 |
| FDC INTERNAL REGISTERS..... | 21 |
| COMMAND SET/DESCRIPTIONS | 36 |
| INSTRUCTION SET | 38 |
| SERIAL PORT (UART) | 55 |
| INFRARED INTERFACE | 66 |
| MPU-401 MIDI UART | 67 |
| OVERVIEW | 67 |
| HOST INTERFACE | 68 |
| MPU-401 COMMAND CONTROLLER | 70 |
| MIDI UART..... | 71 |
| MPU-401 CONFIGURATION REGISTERS | 71 |

| | |
|--|------------|
| PARALLEL PORT | 72 |
| IBM XT/AT COMPATIBLE, BI-DIRECTIONAL AND EPP MODES | 73 |
| EXTENDED CAPABILITIES PARALLEL PORT | 78 |
| POWER MANAGEMENT | 88 |
| SERIAL IRQ | 91 |
| TIMING DIAGRAMS FOR SER_IRQ CYCLE | 91 |
| 8042 KEYBOARD CONTROLLER DESCRIPTION | 94 |
| LATCHES ON KEYBOARD AND MOUSE IRQS | 100 |
| KEYBOARD AND MOUSE PME GENERATION | 101 |
| GENERAL PURPOSE I/O | 102 |
| GPIO PINS..... | 102 |
| EITHER EDGE TRIGGERED INTERRUPTS | 107 |
| LED FUNCTIONALITY | 107 |
| SYSTEM MANAGEMENT INTERRUPT (SMI) | 108 |
| PME SUPPORT | 109 |
| ‘WAKE ON SPECIFIC KEY’ OPTION | 110 |
| FAN SPEED CONTROL AND MONITORING | 111 |
| FAN SPEED CONTROL | 111 |
| FAN TACHOMETER INPUTS | 112 |
| SECURITY FEATURE | 115 |
| GPIO DEVICE DISABLE REGISTER CONTROL..... | 115 |
| DEVICE DISABLE REGISTER | 115 |
| GAME PORT LOGIC | 115 |
| POWER CONTROL REGISTER | 117 |
| VREF PIN | 117 |
| RUNTIME REGISTERS | 117 |
| CONFIGURATION | 142 |
| OPERATIONAL DESCRIPTION | 159 |
| MAXIMUM GUARANTEED RATINGS* | 159 |
| DC ELECTRICAL CHARACTERISTICS | 159 |
| TIMING DIAGRAMS | 162 |
| PACKAGE OUTLINE | 184 |
| APPENDIX - TEST MODE | 185 |
| BOARD TEST MODE | 185 |

PIN CONFIGURATION



DESCRIPTION OF PIN FUNCTIONS

| PIN No./ QFP | NAME | TOTAL | SYMBOL | BUFFER TYPE | BUFFER TYPE PER FUNCTION (NOTE 1) | NOTES |
|--|--|--------------|----------------|--------------------|--|--------------|
| PROCESSOR/HOST LPC INTERFACE (10) | | | | | | |
| 23:20 | Multiplexed Command, Address, Data [3:0] | 4 | LAD[3:0] | PCI_IO | PCI_IO | |
| 24 | Frame | 1 | nLFRAME | PCI_I | PCI_I | |
| 25 | Encoded DMA Request | 1 | nLDRQ | PCI_O | PCI_O | |
| 26 | PCI Reset | 1 | nPCI_RESET | PCI_I | PCI_I | |
| 27 | Power Down | 1 | nLPCPD | PCI_I | PCI_I | 2 |
| 29 | PCI Clock | 1 | PCI_CLK | PCI_ICLK | PCI_ICLK | |
| 30 | Serial IRQ | 1 | SER_IRQ | PCI_IO | PCI_IO | |
| CLOCKS (2) | | | | | | |
| 6 | 32.768 Trickle Clock Input | 1 | CLOCKI32 | IS | IS | 3 |
| 19 | 14.318MHz Clock Input | 1 | CLOCKI | IS | IS | |
| FAN CONTROL (4) | | | | | | |
| 51 | General Purpose I/O /Fan Tachometer 2 | 1 | GP30/FAN_TACH2 | IO8 | (I/O8/OD8)/I | |
| 52 | General Purpose I/O /Fan Tachometer 1 | 1 | GP31/FAN_TACH1 | IO8 | (I/O8/OD8)/I | |
| 54 | General Purpose I/O /Fan Speed Control 2 | 1 | GP32/FAN2 | IO12 | (I/O12/OD12)/(O12/OD12) | 4 |
| 55 | General Purpose I/O /Fan Speed Control 1 | 1 | GP33/FAN1 | IO12 | (I/O12/OD12)/(O12/OD12) | 4 |
| INFRARED INTERFACE (2) | | | | | | |
| 61 | Infrared Rx /General Purpose I/O | 1 | IRRX2/GP34 | IS/O8 | IS/(IS/O8/OD8) | |
| 62 | Infrared Tx /General Purpose I/O | 1 | IRTX2/GP35 | IO12 | O12/(I/O12/OD12) | 5,6 |
| POWER PINS (10) | | | | | | |
| 53, 65,93 | Power | 3 | VCC | | | |
| 7, 31, 60,76 | Ground | 4 | VSS | | | |
| 40 | Analog Ground | 1 | AVSS | | | |
| 44 | Reference Voltage | 1 | VREF | | | |
| 18 | Trickle Voltage | 1 | VTR | | | 7 |
| FDD INTERFACE (14) | | | | | | |
| 16 | Read Disk Data | 1 | nRDATA | IS | IS | |
| 11 | Write Gate | 1 | nWGATE | O12 | (O12/OD12) | |
| 10 | Write Disk Data | 1 | nWDATA | O12 | (O12/OD12) | |
| 12 | Head Select | 1 | nHDSEL | O12 | (O12/OD12) | |
| 8 | Step Direction | 1 | nDIR | O12 | (O12/OD12) | |
| 9 | Step Pulse | 1 | nSTEP | O12 | (O12/OD12) | |
| 4 | Disk Change | 1 | nDSKCHG | IS | IS | |
| 5 | Drive Select 0 | 1 | nDS0 | O12 | (O12/OD12) | |

DESCRIPTION OF PIN FUNCTIONS

| PIN No./ QFP | NAME | TOTAL | SYMBOL | BUFFER TYPE | BUFFER TYPE PER FUNCTION (NOTE 1) | NOTES |
|-------------------------------------|---|--------------|---------------------|--------------------|--|--------------|
| 3 | Motor On 0 | 1 | nMTR0 | O12 | (O12/OD12) | |
| 15 | Write Protected | 1 | nWRTPRT | IS | IS | |
| 14 | Track 0 | 1 | nTRKO | IS | IS | |
| 13 | Index Pulse Input | 1 | nINDEX | IS | IS | |
| 1 | General Purpose I/O/Drive Density Select 0 | 1 | GP40/DRVDEN0 | IO12 | (I/O12/OD12)/ (O12/OD12) | |
| 2 | General Purpose I/O/Drive Density Select 1 | 1 | GP41/DRVDEN1 | IO12 | (I/O12/OD12)/ (O12/OD12) | |
| SERIAL PORT 1 INTERFACE (8) | | | | | | |
| 84 | Receive Serial Data 1 | 1 | RXD1 | IS | IS | |
| 85 | Transmit Serial Data 1 | 1 | TXD1 | O12 | O12 | |
| 87 | Request to Send 1 | 1 | nRTS1/ SYSOP | O8 | O8 | |
| 88 | Clear to Send 1 | 1 | nCTS1 | I | I | |
| 89 | Data Terminal Ready 1 | 1 | nDTR1 | O6 | O6 | |
| 86 | Data Set Ready 1 | 1 | nDSR1 | I | I | |
| 91 | Data Carrier Detect 1 | 1 | nDCD1 | I | I | |
| 90 | Ring Indicator 1 | 1 | nRI1 | I | I | |
| SERIAL PORT 2 INTERFACE (8) | | | | | | |
| 95 | General Purpose I/O /Receive Serial Data 2 (Infrared Rx) | 1 | GP52/RXD2(IRRX) | IS/O8 | (IS/O8/OD8) /IS | |
| 96 | General Purpose I/O /Transmit Serial Data 2 (Infrared Tx) | 1 | GP53/TXD2(IRTX) | IO12 | (I/O12/ OD12)/O12 | 5 |
| 98 | General Purpose I/O /Request to Send 2 | 1 | GP55/ nRTS2 | IO8 | (I/O8/OD8)/ O8 | |
| 99 | General Purpose I/O /Clear to Send 2 | 1 | GP56/ nCTS2 | IO8 | (I/O8/OD8)/I | |
| 100 | General Purpose I/O /Data Terminal Ready | 1 | GP57/ nDTR2 | IO8 | (I/O8/OD8)/ O8 | |
| 97 | General Purpose I/O /Data Set Ready 2 | 1 | GP54/ nDSR2 | IO8 | (I/O8/OD8)/I | |
| 94 | General Purpose I/O/Data Carrier Detect 2 | 1 | GP51/ nDCD2 | IO8 | (I/O8/OD8)/I | |
| 92 | General Purpose I/O/Ring Indicator 2 | 1 | GP50/nRI2 | IO8 | (I/O8/OD8)/I | |
| PARALLEL PORT INTERFACE (17) | | | | | | |
| 66 | Initiate Output | 1 | nINIT | OP14 | (OD14/OP14) | |
| 67 | Printer Select Input | 1 | nSLCTIN | OP14 | (OD14/OP14) | |
| 68 | Port Data 0 | 1 | PD0 | IOP14 | IOP14 | |
| 69 | Port Data 1 | 1 | PD1 | IOP14 | IOP14 | |
| 70 | Port Data 2 | 1 | PD2 | IOP14 | IOP14 | |
| 71 | Port Data 3 | 1 | PD3 | IOP14 | IOP14 | |
| 72 | Port Data 4 | 1 | PD4 | IOP14 | IOP14 | |

DESCRIPTION OF PIN FUNCTIONS

| PIN No./ QFP | NAME | TOTAL | SYMBOL | BUFFER TYPE | BUFFER TYPE PER FUNCTION (NOTE 1) | NOTES |
|-------------------------------------|--|--------------|------------------|--------------------|--|--------------|
| 73 | Port Data 5 | 1 | PD5 | IOP14 | IOP14 | |
| 74 | Port Data 6 | 1 | PD6 | IOP14 | IOP14 | |
| 75 | Port Data 7 | 1 | PD7 | IOP14 | IOP14 | |
| 77 | Printer Selected Status | 1 | SLCT | IO12 | I/OD12 | |
| 78 | Paper End | 1 | PE | I | I | |
| 79 | Busy | 1 | BUSY | I | I | |
| 80 | Acknowledge | 1 | nACK | I | I | |
| 81 | Error | 1 | nERROR | I | I | |
| 82 | Autofeed Output | 1 | nALF | OP14 | (OD14/OP14) | |
| 83 | Strobe Output | 1 | nSTROBE | OP14 | (OD14/OP14) | |
| KEYBOARD/MOUSE INTERFACE (6) | | | | | | |
| 56 | Keyboard Data | 1 | KDAT | IOD16 | IOD16 | |
| 57 | Keyboard Clock | 1 | KCLK | IOD16 | IOD16 | |
| 58 | Mouse Data | 1 | MDAT | IOD16 | IOD16 | |
| 59 | Mouse Clock | 1 | MCLK | IOD16 | IOD16 | |
| 63 | General Purpose I/O /Keyboard Reset | 1 | GP36/nKBDRST | IO8 | (I/O8/OD8)/O8 | 9 |
| 64 | General Purpose I/O /Gate A20 | 1 | GP37/A20M | IO8 | (I/O8/OD8)/O8 | 9 |
| GENERAL PURPOSE I/O (19) | | | | | | |
| 32 | General Purpose I/O /Joystick 1 Button 1 | 1 | GP10/J1B1 | IS/O8 | (IS/O8/OD8)/IS | |
| 33 | General Purpose I/O /Joystick 1 Button 2 | 1 | GP11/J1B2 | IS/O8 | (IS/O8/OD8)/IS | |
| 34 | General Purpose I/O /Joystick 2 Button 1 | 1 | GP12/J2B1 | IS/O8 | (IS/O8/OD8)/IS | |
| 35 | General Purpose I/O /Joystick 2 Button 2 | 1 | GP13/J2B2 | IS/O8 | (IS/O8/OD8)/IS | |
| 36 | General Purpose I/O /Joystick 1 X-Axis | 1 | GP14/J1X | IO12 | (I/O12/ OD12)/IO12 | |
| 37 | General Purpose I/O /Joystick 1 Y-Axis | 1 | GP15/J1Y | IO12 | (I/O12/ OD12)/IO12 | |
| 38 | General Purpose I/O /Joystick 2 X-Axis | 1 | GP16/J2X | IO12 | (I/O12/ OD12)/IO12 | |
| 39 | General Purpose I/O /Joystick 2 Y-Axis | 1 | GP17/J2Y | IO12 | (I/O12/ OD12)/IO12 | |
| 41 | General Purpose I/O / P17 | 1 | GP20/P17 | IO8 | (I/O8/OD8)/IO8 | |
| 42 | General Purpose I/O / P16 /nDS1 | 1 | GP21 /P16/ nDS1 | IO12 | (I/O12/OD12)/IO12/(O12/ OD12) | |
| 43 | General Purpose I/O / P12/nMTR1 | 1 | GP22 /P12/ nMTR1 | IO12 | (I/O12/ OD12)/IO12/ (O12/OD12) | |
| 45 | General Purpose I/O / System Option | 1 | GP24 /SYSOPT | IO8 | (I/O8/OD8) | 8 |
| 46 | General Purpose I/O /MIDI_IN | 1 | GP25 /MIDI_IN | IO8 | (I/O8/OD8)/I | |

DESCRIPTION OF PIN FUNCTIONS

| PIN No./ QFP | NAME | TOTAL | SYMBOL | BUFFER TYPE | BUFFER TYPE PER FUNCTION (NOTE 1) | NOTES |
|--------------|--|-------|----------------|-------------|-----------------------------------|-------|
| 47 | General Purpose I/O /MIDI_OUT | 1 | GP26 /MIDI_OUT | IO12 | (I/O12/OD12)/O12 | |
| 50 | General Purpose I/O /SMI Output | 1 | GP27 /nIO_SMI | IO12 | (I/O12/OD12)/OD12 | |
| 48 | General Purpose I/O / LED | 1 | GP60 /LED1 | IO12 | (I/O12/OD12)/O12 | 10 |
| 49 | General Purpose I/O / LED | 1 | GP61 /LED2 | IO12 | (I/O12/OD12)/O12 | 10 |
| 17 | General Purpose I/O / Power Management Event | 1 | GP42 /nIO_PME | IO12 | (I/O12/OD12)/OD12 | |
| 28 | General Purpose I/O /Device Disable Reg. Control | 1 | GP43/DDRC | IO8 | (I/O8/OD8)/I | |

Note: The "n" as the first letter of a signal name indicates an "Active Low" signal.

Note 1: Buffer types per function on multiplexed pins are separated by a slash "/". Buffer types in parenthesis represent multiple buffer types for a single pin function.

Note 2: The nLPCPD pin may be tied high. The LPC interface will function properly if the nPCI_RESET signal follows the protocol defined for the nLRESET signal in the "Low Pin Count Interface Specification".

Note 3: If the 32kHz input clock is not used the CLKI32 pin must be grounded. There is a bit in the configuration register at 0xF0 in Logical Device A that indicates whether or not the 32kHz clock is connected. This bit determines the clock source for the fan tachometer, LED and "wake on specific key" logic. Set this bit to '1' if the clock is not connected.

Note 4: The fan control pins (FAN1 and FAN2) come up as outputs and low following a VCC POR and Hard Reset. These pins revert to their non-inverting GPIO output function when VCC is removed from the part.

Note 5: The IRTX pins (IRTX2/GP35 and GP53/TXD2 (IRTX)) are driven low when the part is powered by VTR (VCC=0V with VTR=3.3V). These pins will remain low following a power-up (VCC POR) until serial port 2 is enabled by setting the activate bit, at which time the pin will reflect the state of the transmit output of the Serial Port 2 block.

Note 6: The VCC power-up default for this pin is Logic "0" if the IRTX function is programmed on the GPIO.

Note 7: VTR can be connected to VCC if no wakeup functionality is required.

Note 8: The GP24 /SYSOPT pin requires an external pulldown resistor to put the base IO address for configuration at 0x02E. An external pullup resistor is required to move the base IO address for configuration to 0x04E.

Note 9: External pullups must be placed on the nKBDRST and A20M pins. These pins are GPIOs that are inputs after an initial power-up (VTR POR). If the nKBDRST and A20M functions are to be used, the system must ensure that these pins are high. See Section "Pins That Require External Pullup Resistor".

Note 10: The LED pins are powered by VTR so that the LEDs can be controlled when the part is under VTR power

Buffer Type Descriptions

Note: The buffer type values are specified at VCC=3.3V

| | |
|----------|---|
| IO12 | Input/Output, 12mA sink, 6mA source. |
| IS/O12 | Input with Schmitt Trigger/Output, 12mA sink, 6mA source. |
| O12 | Output, 12mA sink, 6mA source. |
| OD12 | Open Drain Output, 12mA sink. |
| O6 | Output, 6mA sink, 3mA source. |
| O8 | Output, 8mA sink, 4mA source. |
| OD14 | Open Drain Output, 14mA sink. |
| OP14 | Output, 14mA sink, 14mA source. |
| IOP14 | Input/Output, 14mA sink, 14mA source. Backdrive protected. |
| IS/OP14 | Input with Schmitt Trigger/Output, 14mA sink, 14mA source, Backdrive Protected. |
| IOD16 | Input/Output (Open Drain), 16mA sink. |
| O4 | Output, 4mA sink, 2mA source. |
| IO8 | Input/Output, 8mA sink, 4mA source. |
| I | Input TTL Compatible. |
| IS | Input with Schmitt Trigger. |
| PCI_IO | Input/Output. These pins must meet the PCI 3.3V AC and DC Characteristics. (Note 1) |
| PCI_O | Output. These pins must meet the PCI 3.3V AC and DC Characteristics. (Note 1) |
| PCI_OD | Open Drain Output. These pins must meet the PCI 3.3V AC and DC Characteristics. (Note 1) |
| PCI_I | Input. These pins must meet the PCI 3.3V AC and DC Characteristics. (Note 1) |
| PCI_ICLK | Clock Input. These pins must meet the PCI 3.3V AC and DC Characteristics and timing. (Note 2) |

Note 1. See the PCI Local Bus Specification, Revision 2.1, Section 4.2.2.

Note 2. See the PCI Local Bus Specification, Revision 2.1, Section 4.2.2. and 4.2.3.

Pins That Require External Pullup Resistors

The following pins require external pullup resistors:

- KDAT
- KCLK
- MDAT
- MCLK
- GP36/KBDRST if KBDRST function is used
- GP37/A20M if A20M function is used
- GP20/P17 If P17 function is used
- GP21/P16 if P16 function is used
- GP22/P12 if P12 function is used
- GP27/nIO_SMI if nIO_SMI function is used as Open Collector Output
- GP42/nIO_PME if nIO_PME function is used as Open Collector Output
- SER_IRQ
- GP40/DRV DEN0 if DRV DEN0 function is used as Open Collector
- GP41/DRV DEN1 if DRV DEN1 function is used as Open Collector
- nMTR0 if used as Open Collector Output
- nDS0 if used as Open Collector Output
- nDIR if used as Open Collector Output
- nSTEP if used as Open Collector Output
- nWDATA if used as Open Collector Output
- nWGATE if used as Open Collector Output
- nHDSEL if used as Open Collector Output
- nINDEX
- nTRK0
- nWRTPRT
- nRDATA
- nDSKCHG

BLOCK DIAGRAM

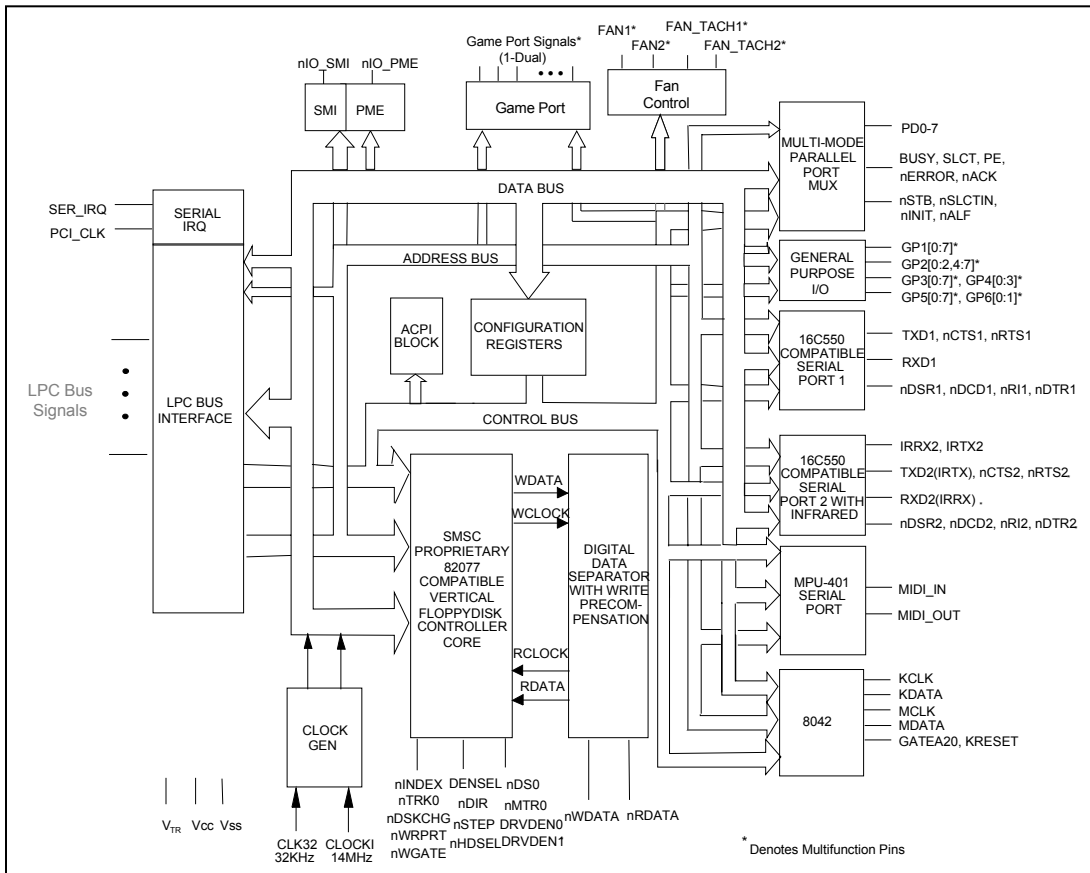


FIGURE 1 – LPC47M10x BLOCK DIAGRAM

REFERENCE DOCUMENTS

1. SMSC Consumer Infrared Communications Controller (CIrCC) V1.X
2. IEEE 1284 Extended Capabilities Port Protocol and ISA Standard, Rev. 1.14, July 14, 1993.
3. Hardware Description of the 8042, Intel 8 bit Embedded Controller Handbook.
4. PCI Bus Power Management Interface Specification, Rev. 1.0, Draft, March 18, 1997.
5. Low Pin Count (LPC) Interface Specification, Revision 1.0, September 29, 1997, Intel Document.

3 VOLT OPERATION / 5 VOLT TOLERANCE

The LPC47M10x is a 3.3 Volt part. It is intended solely for 3.3V applications. Non-LPC bus pins are 5V tolerant; that is, the input voltage is 5.5V max, and the I/O buffer output pads are backdrive protected.

The LPC interface pins are 3.3 Volt only. These signals meet PCI DC specifications for 3.3V signaling. These pins are:

- LAD[3:0]
- nLFRAME
- nLDRQ
- nLPCPD

The input voltage for all other pins is 5.5V max. These pins include all non-LPC Bus pins and the following pins:

- nPCI_RESET
- PCI_CLK
- SER_IRQ
- nIO_PME

POWER FUNCTIONALITY

The LPC47M10x has three power planes: VCC, VTR and VREF.

VCC Power

The LPC47M10x is a 3.3 Volt part. The VCC supply is 3.3 Volts (nominal). See the Operational Description Section and the Maximum Current Values sub-section.

VTR Support

The LPC47M10x requires a trickle supply (V_{TR}) to provide sleep current for the programmable wake-up events in the PME interface when V_{CC} is removed. The VTR supply is 3.3 Volts (nominal). See the Operational Description Section. The maximum VTR current that is required depends on the functions that are used in the part. See Trickle Power Functionality and Maximum Current Values sub-sections. If the LPC47M10x is not intended to provide wake-up capabilities on standby current, V_{TR} can be connected to V_{CC} . V_{TR} powers the IR interface, the PME configuration registers and the PME interface. The V_{TR} pin generates a V_{TR} Power-on-Reset signal to initialize these components.

Note: If V_{TR} is to be used for programmable wake-up events when V_{CC} is removed, V_{TR} must be at its full minimum potential at least 10 μ s before V_{CC} begins a power-on cycle. When V_{TR} and V_{CC} are fully powered, the potential difference between the two supplies must not exceed 500mV.

Internal PWRGOOD

An internal PWRGOOD logical control is included to minimize the effects of pin-state uncertainty in the host interface as V_{CC} cycles on and off. When the internal PWRGOOD signal is "1" (active), $V_{CC} > 2.3V$ (nominal), and the LPC47M10x host interface is active. When the internal PWRGOOD signal is "0" (inactive), $V_{CC} \leq 2.3V$ (nominal), and the LPC47M10x host interface is inactive; that is, LPC bus reads and writes will not be decoded.

The LPC47M10x device pins nIO_PME, CLOCKI32, KDAT, MDAT, IRRX, nRI1, nRI2, RXD2 and most GPIOs (as input) are part of the PME interface and remain active when the internal PWRGOOD signal has gone inactive, provided V_{TR} is powered. The IRTX2/GP35, GP53/TXD2(IRTX), GP60/LED1 and GP61/LED2 pins also remain active when the internal PWRGOOD signal has gone inactive, provided V_{TR} is powered. See Trickle Power Functionality section. The internal PWRGOOD signal is also used to disable the IR Half Duplex Timeout.

32.768 kHz Trickle Clock Input

The LPC47M10x utilizes a 32.768 kHz trickle input to supply a clock signal for the fan tachometer logic, LED blink and wake on specific key function. See the following section for more information.

Indication of 32kHz Clock

There is a bit to indicate whether or not the 32kHz clock input is connected to the LPC47M10x. This bit is located at bit 0 of the CLOCKI32 register at 0xF0 in Logical Device A. This register is powered by VTR and reset on a VTR POR.

Bit[0] (CLK32_PRSN) is defined as follows:

0=32kHz clock is connected to the CLKI32 pin (default)

1=32kHz clock is not connected to the CLKI32 pin (pin is grounded).

Bit 0 controls the source of the 32kHz (nominal) clock for the fan tachometer logic, the LED blink logic and the “wake on specific key” logic. When the external 32kHz clock is connected, that will be the source for the fan tachometer, LED and “wake on specific key” logic. When the external 32kHz clock is not connected, an internal 32kHz clock source will be derived from the 14MHz clock for the fan tachometer, LED and “wake on specific key” logic.

The following functions will not work under VTR power (VCC removed) if the external 32kHz clock is not connected. These functions will work under VCC power even if the external 32kHz clock is not connected.

- Wake on specific key
- LED blink
- Fan Tachometer

Trickle Power Functionality

When the LPC47M10x is running under VTR only (VCC removed), PME wakeup events are active and (if enabled) able to assert the nIO_PME pin active low. The following lists the wakeup events:

- UART 1 Ring Indicator
- UART 2 Ring Indicator
- Keyboard data
- Mouse data
- Wake on Specific Key Logic
- Fan Tachometers (Note)
- GPIOs for wakeup. See below.

Note. The Fan Tachometers can generate a PME when VCC=0. Clear the enable bits for the fan tachometers before removing fan power.

The following requirements apply to all I/O pins that are specified to be 5 volt tolerant.

- I/O buffers that are wake-up event compatible are powered by VCC. Under VTR power (VCC=0), these pins may only be configured as inputs. These pins have input buffers into the wakeup logic that are powered by VTR.
- I/O buffers that may be configured as either push-pull or open drain under VTR power (VCC=0), are powered by VTR. This means, at a minimum, they will source their specified current from VTR even when VCC is present.

The GPIOs that are used for PME wakeup as input are GP10-GP17, GP20-GP22, GP24-GP27, GP30-GP33, GP41, GP43, GP50-GP57, GP60, GP61. These GPIOs function as follows (with the exception of GP53, GP60 and GP61 - see below):

- Buffers are powered by VCC, but in the absence of VCC they are backdrive protected (they do not impose a load on any external VTR powered circuitry). They are wakeup compatible as inputs under VTR power. These pins have input buffers into the wakeup logic that are powered by VTR.

All GPIOs listed above are for PME wakeup as a GPIO (or alternate function). Note that GP32 and GP33 cannot be used for wakeup under VTR power (VCC=0) since these are the fan control pins which come up as outputs and low following a VCC POR and Hard Reset. GP53 cannot be used for wakeup under VTR power since this is the IRTX pin which comes up as output and low following a VTR POR, a VCC POR and Hard Reset. Also, GP32 and GP33 revert to their non-inverting GPIO output function when VCC is removed from the part. GP43 reverts to the basic GPIO function when VCC is removed from the part, but its programmed input/output, invert/non-invert and output buffer type is retained.

The other GPIOs function as follows:

GP36, GP37 and GP40:

- Buffers are powered by VCC, but in the absence of VCC they are backdrive protected. These pins do not have input buffers into the wakeup logic that are powered by VTR.

These pins are not used for wakeup.

GP35, GP42, GP53, GP60 and GP61:

- Buffers powered by VTR.

GP35 and GP53 have IRTX as the alternate function and their output buffers are powered by VTR so that the pins are always forced low when not used.

GP42 is the nIO_PME pin which is active under VTR.

GP60 and GP61 have LED as the alternate function and the logic is able to control the pin under VTR.

The IRTX pins (IRTX2/GP35 and GP53/TXD2 (IRTX)) are powered by VTR so that they are driven low when VCC = 0V with VTR = 3.3V. These pins will remain low following a VCC POR until serial port 2 is enabled by setting the activate bit, at which time the pin will reflect the state of the transmit output of the Serial Port 2 block.

The following list summarizes the blocks, registers and pins that are powered by VTR.

- PME interface block
- PME runtime register block (includes all PME, SMI, GPIO, Fan and other miscellaneous registers)
- “Wake on Specific Key” logic
- LED control logic
- Fan Tachometers
- Pins for PME Wakeup:
 - GP42/nIO_PME (output, buffer powered by VTR)
 - nRI1 (input)
 - GP50/nRI2 (input)
 - GP52/RXD2 (input)
 - KDAT (input)
 - MDAT
 - GPIOs (GP10-GP17, GP20-GP22, GP24-GP27, GP30-GP33, GP41, GP43, GP50-GP57, GP60, GP61) – all input-only except GP53, GP60, GP61. See below.
- Other Pins
 - IRTX2/GP35 (output, buffer powered by VTR)
 - GP53/TXD2(IRTX) (output, buffer powered by VTR)
 - GP60/LED1 (output, buffer powered by VTR)
 - GP61/LED2 (output, buffer powered by VTR)

VREF Pin

The LPC47M10x has a reference voltage pin input on pin 44 of the part. This reference voltage can be connected to either a 5V supply or a 3.3V supply. It is used for the game port. See the “GAME PORT LOGIC” section.

Maximum Current Values

See the “Operational Description” section for the maximum current values.

The maximum VTR current, I_{TR} , is given with all outputs open (not loaded) and all inputs in a fixed state (i.e., 0V or 3.3V). The total maximum current for the part is the unloaded value PLUS the maximum current sourced by all pins that are driven by VTR. The pins that are powered by VTR are as follows: GP42 / nIO_PME, IRTX2 / GP35, GP53/TXD2(IRTX) GP60 / LED1, GP61 / LED2. These pins, if configured as push-pull outputs, will source a minimum of 6mA at 2.4V when driving.

The maximum VCC current, I_{CC} , is given with all outputs open (not loaded) and all inputs in a fixed state (i.e., 0V or 3.3V).

The maximum VREF current, I_{REF} , is given with all outputs open (not loaded) and all inputs in a fixed state (i.e., 0V or 3.3V).

Power Management Events (PME/SCI)

The LPC47M10x offers support for Power Management Events (PMEs), also referred to as System Control Interrupt (SCI) events. The terms PME and SCI are used synonymously throughout this document to refer to the indication of an event to the chipset via the assertion of the nIO_PME output signal on pin 17. See the “PME Support” section.

FUNCTIONAL DESCRIPTION

SUPER I/O REGISTERS

The address map, shown below in Table 1, shows the addresses of the different blocks of the Super I/O immediately after power up. The base addresses of the FDC, serial and parallel ports, PME register block, Game port and configuration register block can be moved via the configuration registers. Some addresses are used to access more than one register.

HOST PROCESSOR INTERFACE (LPC)

The host processor communicates with the LPC47M10x through a series of read/write registers via the LPC interface. The port addresses for these registers are shown in Table 1. Register access is accomplished through I/O cycles or DMA transfers. All registers are 8 bits wide.

Table 1 - Super I/O Block Addresses

| ADDRESS | BLOCK NAME | LOGICAL DEVICE |
|--|---|----------------|
| Base+(0-5) and +(7) | Floppy Disk | 0 |
| Base+(0-7) | Serial Port Com 1 | 4 |
| Base1+(0-7) Base2+(0-7) | Serial Port Com 2 | 5 |
| Base+(0-3) Base+(0-7) Base+(0-3), +(400-402) Base+(0-7), +(400-402) | Parallel Port SPP EPP ECP ECP+EPP+SPP | 3 |
| 60, 64 | KYBD | 7 |
| Base + 0 | Game Port | 9 |
| Base + (0-5F) | Runtime Registers | A |
| Base + (0-7) | MPU-401 | B |
| Base + (0-1) | Configuration | |

Note: Refer to the configuration register descriptions for setting the base address.

LPC INTERFACE

The following sub-sections specify the implementation of the LPC bus.

LPC Interface Signal Definition

The signals required for the LPC bus interface are described in the table below. LPC bus signals use PCI 33MHz electrical signal characteristics.

| SIGNAL NAME | TYPE | DESCRIPTION |
|-------------|--------|--|
| LAD[3:0] | I/O | LPC address/data bus. Multiplexed command, address and data bus. |
| nLFRAME | Input | Frame signal. Indicates start of new cycle and termination of broken cycle |
| nPCI_RESET | Input | PCI Reset. Used as LPC Interface Reset. Same functionality as RST_DRV but active low 3.3V. |
| nLDRQ | Output | Encoded DMA/Bus Master request for the LPC interface. |
| nIO_PME | OD | Power Mgt Event signal. Allows the LPC47M10x to request wakeup. |
| nLPCPD | Input | Powerdown Signal. Indicates that the LPC47M10x should prepare for power to be shut on the LPC interface. |
| SER_IRQ | I/O | Serial IRQ. |
| PCI_CLK | Input | PCI Clock. |

Note: The nCLKRUN signal is not implemented in this part.

LPC Cycles

The following cycle types are supported by the LPC protocol.

| CYCLE TYPE | TRANSFER SIZE |
|------------|---------------|
| I/O Write | 1 Byte |
| I/O Read | 1 Byte |
| DMA Write | 1 Byte |
| DMA Read | 1 Byte |

Peripherals must ignore cycles that they do not support.

Field Definitions

The data transfers are based on specific fields that are used in various combinations, depending on the cycle type. These fields are driven onto the LAD[3:0] signal lines to communicate address, control and data information over the LPC bus between the host and the LPC47M10x. See the *Low Pin Count (LPC) Interface Specification Reference*, Section 4.2 for definition of these fields.

nLFRAME Usage

nLFRAME is used by the host to indicate the start of cycles and the termination of cycles due to an abort or time-out condition. This signal is to be used by the LPC47M10x to know when to monitor the bus for a cycle.

This signal is used as a general notification that the LAD[3:0] lines contain information relative to the start or stop of a cycle, and that the LPC47M10x monitors the bus to determine whether the cycle is intended for it. The use of nLFRAME allows the LPC47M10x to enter a lower power state internally. There is no need for the LPC47M10x to monitor the bus when it is inactive, so it can decouple its state machines from the bus, and internally gate its clocks.

When the LPC47M10x samples nLFRAME active, it immediately stops driving the LAD[3:0] signal lines on the next clock and monitor the bus for new cycle information.

The nLFRAME signal functions as described in the *Low Pin Count (LPC) Interface Specification*, Revision 1.0.

I/O Read and Write Cycles

The LPC47M10x is the target for I/O cycles. I/O cycles are initiated by the host for register or FIFO accesses, and will generally have minimal Sync times. The minimum number of wait-states between bytes is 1. EPP cycles will depend on the speed of the external device, and may have much longer Sync times.

Data transfers are assumed to be exactly 1-byte. If the CPU requested a 16 or 32-bit transfer, the host will break it up into 8-bit transfers.

See the *Low Pin Count (LPC) Interface Specification* Reference, Section 5.2, for the sequence of cycles for the I/O Read and Write cycles.

DMA Read and Write Cycles

DMA read cycles involve the transfer of data from the host (main memory) to the LPC47M10x. DMA write cycles involve the transfer of data from the LPC47M10x to the host (main memory). Data will be coming from or going to a FIFO and will have minimal Sync times. Data transfers to/from the LPC47M10x are 1, 2 or 4 bytes.

See the *Low Pin Count (LPC) Interface Specification* Reference, Section 6.4, for the field definitions and the sequence of the DMA Read and Write cycles.

DMA Protocol

DMA on the LPC bus is handled through the use of the nLDRQ lines from the LPC47M10x and special encodings on LAD[3:0] from the host.

The DMA mechanism for the LPC bus is described in the *Low Pin Count (LPC) Interface Specification*, Revision 1.0.

POWER MANAGEMENT

CLOCKRUN Protocol

The nCLKRUN pin is not implemented in the LPC47M10x. See the *Low Pin Count (LPC) Interface Specification* Section.

LPCPD Protocol

See the *Low Pin Count (LPC) Interface Specification* Section.

SYNC Protocol

See the *Low Pin Count (LPC) Interface Specification* Section for a table of valid SYNC values.

Typical Usage

The SYNC pattern is used to add wait states. For read cycles, the LPC47M10x immediately drives the SYNC pattern upon recognizing the cycle. The host immediately drives the sync pattern for write cycles. If the LPC47M10x needs to assert wait states, it does so by driving 0101 or 0110 on LAD[3:0] until it is ready, at which point it will drive 0000 or 1001. The LPC47M10x will choose to assert 0101 or 0110, but not switch between the two patterns.

The data (or wait state SYNC) will immediately follow the 0000 or 1001 value.

The SYNC value of 0101 is intended to be used for normal wait states, wherein the cycle will complete within a few clocks. The LPC47M10x uses a SYNC of 0101 for all wait states in a DMA transfer.

The SYNC value of 0110 is intended to be used where the number of wait states is large. This is provided for EPP cycles, where the number of wait states could be quite large (>1 microsecond). However, the LPC47M10x uses a SYNC of 0110 for all wait states in an I/O transfer.

The SYNC value is driven within 3 clocks.

SYNC Timeout

The SYNC value is driven within 3 clocks. If the host observes 3 consecutive clocks without a valid SYNC pattern, it will abort the cycle.

The LPC47M10x does not assume any particular timeout. When the host is driving SYNC, it may have to insert a very large number of wait states, depending on PCI latencies and retries.

SYNC Patterns and Maximum Number of SYNCs

If the SYNC pattern is 0101, then the host assumes that the maximum number of SYNCs is 8.

If the SYNC pattern is 0110, then no maximum number of SYNCs is assumed. The LPC47M10x has protection mechanisms to complete the cycle. This is used for EPP data transfers and should utilize the same timeout protection that is in EPP.

SYNC Error Indication

The LPC47M10x reports errors via the LAD[3:0] = 1010 SYNC encoding.

If the host was reading data from the LPC47M10x, data will still be transferred in the next two nibbles. This data may be invalid, but it will be transferred by the LPC47M10x. If the host was writing data to the LPC47M10x, the data had already been transferred.

In the case of multiple byte cycles, such as memory and DMA cycles, an error SYNC terminates the cycle. Therefore, if the host is transferring 4 bytes from a device, if the device returns the error SYNC in the first byte, the other three bytes will not be transferred.

I/O and DMA START Fields

I/O and DMA cycles use a START field of 0000.

Reset Policy

The following rules govern the reset policy:

- 1) When nPCI_RESET goes inactive (high), the clock is assumed to have been running for 100usec prior to the removal of the reset signal, so that everything is stable. This is the same reset active time after clock is stable that is used for the PCI bus.
- 2) When nPCI_RESET goes active (low):
 - a) the host drives the nLFRAME signal high, tristates the LAD[3:0] signals, and ignores the nLDRQ signal.
 - b) the LPC47M10x must ignore nLFRAME, tristate the LAD[3:0] pins and drive the nLDRQ signal inactive (high).

ELECTRICAL SPECIFICATIONS

The LPC interface uses 3.3V signaling. No output from the LPC47M10x drives higher than 3.3V nominal.

The electrical characteristics of each signal is described below.

LAD[3:0]

The AC and DC specifications for these signals are the same as defined for AD[31:0] in section 4.2.2 of the "PCI Local Bus Specification, Rev 2.1". That section contains the specifications for the 3.3V signaling environment.

The LAD[3:0] signals go high during the TAR phase. The last device driving the LAD[3:0] is responsible to drive the signals high during the first clock of the TAR phase. During the second clock, neither the host nor the LPC47M10x will drive LAD[3:0] (LAD[3:0] is floated).

Weak pull-up resistors of 10k-100k ohms will be included on LAD[3:0] to keep the signals high. These pull-ups are external to the LPC47M10x.

nLDRQ

The AC and DC specifications for these signals are the same as for non-shared signals as defined in section 4.2.2 of the "PCI Local Bus Specification, Rev 2.1". That section contains the specifications for the 3.3V signaling environment.

nLDRQ is a standard output from the LPC47M10x and a standard input to the host.

nLPCPD

The host drives this signal as a standard 3.3V output.

nLFRAME

The host drives this signal as a standard 3.3V output.

nPCI_RESET

The host drives this signal as a standard 3.3V output.

LPC TRANSFER SEQUENCE EXAMPLES

Wait State Requirements

I/O Transfers

The LPC47M10x inserts three wait states for an I/O read and two wait states for an I/O write cycle. A SYNC of 0110 is used for all I/O transfers. The exception to this is for transfers where IOCHRDY has been deasserted (i.e., EPP or IrCC transfers) in which case the sync pattern of 0110 is used and a large number of syncs may be inserted (up to 330 which corresponds to a timeout of 10us).

DMA Transfers

The LPC47M10x inserts three wait states for a DMA read and four wait states for a DMA write cycle. A SYNC of 0101 is used for all DMA transfers.

See the example timing for the LPC cycles in the "Timing Diagrams" section.

FLOPPY DISK CONTROLLER

The Floppy Disk Controller (FDC) provides the interface between a host microprocessor and the floppy disk drives. The FDC integrates the functions of the Formatter/Controller, Digital Data Separator, Write Precompensation and Data Rate Selection logic for an IBM XT/AT compatible FDC. The true CMOS 765B core guarantees 100% IBM PC XT/AT compatibility in addition to providing data overflow and underflow protection.

The FDC is compatible to the 82077AA using

SMSC's proprietary floppy disk controller core.

FDC INTERNAL REGISTERS

The Floppy Disk Controller contains eight internal registers which facilitate the interfacing between the host microprocessor and the disk drive. Table 2 shows the addresses required to access these registers. Registers other than the ones shown are not supported. The rest of the description assumes that the primary addresses have been selected.

Table 2 - Status, Data and Control Registers
(Shown with base addresses of 3F0 and 370)

| PRIMARY ADDRESS | SECONDARY ADDRESS | R/W | REGISTER |
|-----------------|-------------------|-----|--------------------------------------|
| 3F0 | 370 | R | Status Register A (SRA) |
| 3F1 | 371 | R | Status Register B (SRB) |
| 3F2 | 372 | R/W | Digital Output Register (DOR) |
| 3F3 | 373 | R/W | Tape Drive Register (TSR) |
| 3F4 | 374 | R | Main Status Register (MSR) |
| 3F4 | 374 | W | Data Rate Select Register (DSR) |
| 3F5 | 375 | R/W | Data (FIFO) |
| 3F6 | 376 | | Reserved |
| 3F7 | 377 | R | Digital Input Register (DIR) |
| 3F7 | 377 | W | Configuration Control Register (CCR) |

STATUS REGISTER A (SRA)

Address 3F0 READ ONLY

This register is read-only and monitors the state of the internal interrupt signal and several disk interface pins in PS/2 and Model 30 modes. The SRA can be accessed at any time when in PS/2 mode. In the PC/AT mode the data bus pins D0 - D7 are held in a high impedance state for a read of address 3F0.

PS/2 Mode

| | | | | | | | | |
|----------------|----------------|-------|------|-------|-------|-------|-----|-----|
| | 7 | 6 | 5 | 4 | 3 | 2 | 1 | 0 |
| | INT PENDING | nDRV2 | STEP | nTRK0 | HDSEL | nINDX | nWP | DIR |
| RESET COND. | 0 | 1 | 0 | N/A | 0 | N/A | N/A | 0 |

BIT 0 DIRECTION

Active high status indicating the direction of head movement. A logic "1" indicates inward direction; a logic "0" indicates outward direction.

BIT 1 nWRITE PROTECT

Active low status of the WRITE PROTECT disk interface input. A logic "0" indicates that the disk is write protected.

BIT 2 nINDEX

Active low status of the INDEX disk interface input.

BIT 3 HEAD SELECT

Active high status of the HDSEL disk interface input. A logic "1" selects side 1 and a logic "0" selects side 0.

BIT 4 nTRACK 0

Active low status of the TRK0 disk interface input.

BIT 5 STEP

Active high status of the STEP output disk interface output pin.

BIT 6 nDRV2

This function is not supported. This bit is always read as "1".

BIT 7 INTERRUPT PENDING

Active high bit indicating the state of the Floppy Disk Interrupt output.

PS/2 Model 30 Mode

| | | | | | | | | |
|----------------|----------------|-----|-------------|------|--------|------|-----|------|
| | 7 | 6 | 5 | 4 | 3 | 2 | 1 | 0 |
| | INT PENDING | DRQ | STEP F/F | TRK0 | nHDSEL | INDX | WP | nDIR |
| RESET COND. | 0 | 0 | 0 | N/A | 1 | N/A | N/A | 1 |

BIT 0 nDIRECTION

Active low status indicating the direction of head movement. A logic "0" indicates inward direction; a logic "1" indicates outward direction.

BIT 1 WRITE PROTECT

Active high status of the WRITE PROTECT disk interface input. A logic "1" indicates that the disk is write protected.

BIT 2 INDEX

Active high status of the INDEX disk interface input.

BIT 3 nHEAD SELECT

Active low status of the HDSEL disk interface input. A logic "0" selects side 1 and a logic "1" selects side 0.

BIT 4 TRACK 0

Active high status of the TRK0 disk interface input.

BIT 5 STEP

Active high status of the latched STEP disk interface output pin. This bit is latched with the STEP output going active, and is cleared with a read from the DIR register, or with a hardware or software reset.

BIT 6 DMA REQUEST

Active high status of the DMA request pending.

BIT 7 INTERRUPT PENDING

Active high bit indicating the state of the Floppy Disk Interrupt.

STATUS REGISTER B (SRB)**Address 3F1 READ ONLY**

This register is read-only and monitors the state of several disk interface pins in PS/2 and Model 30 modes. The SRB can be accessed at any time when in PS/2 mode. In the PC/AT mode the data bus pins D0 - D7 are held in a high impedance state for a read of address 3F1.

PS/2 Mode

| | | | | | | | | |
|----------------|---|---|---------------|-----------------|-----------------|-------|------------|------------|
| | 7 | 6 | 5 | 4 | 3 | 2 | 1 | 0 |
| | 1 | 1 | DRIVE SEL0 | WDATA TOGGLE | RDATA TOGGLE | WGATE | MOT EN1 | MOT EN0 |
| RESET COND. | 1 | 1 | 0 | 0 | 0 | 0 | 0 | 0 |

BIT 0 MOTOR ENABLE 0

Active high status of the MTR0 disk interface output pin. This bit is low after a hardware reset and unaffected by a software reset.

BIT 1 MOTOR ENABLE 1

Active high status of the MTR1 disk interface output pin. This bit is low after a hardware reset and unaffected by a software reset.

BIT 2 WRITE GATE

Active high status of the WGATE disk interface output.

BIT 3 READ DATA TOGGLE

Every inactive edge of the RDATA input causes this bit to change state.

BIT 4 WRITE DATA TOGGLE

Every inactive edge of the WDATA input causes this bit to change state.

BIT 5 DRIVE SELECT 0

Reflects the status of the Drive Select 0 bit of the DOR (address 3F2 bit 0). This bit is cleared after a hardware reset and it is unaffected by a software reset.

BIT 6 RESERVED

Always read as a logic "1".

BIT 7 RESERVED

Always read as a logic "1".

PS/2 Model 30 Mode

| | 7 | 6 | 5 | 4 | 3 | 2 | 1 | 0 |
|----------------|-------|------|------|--------------|--------------|--------------|------|------|
| | nDRV2 | nDS1 | nDS0 | WDATA F/F | RDATA F/F | WGATE F/F | nDS3 | nDS2 |
| RESET COND. | N/A | 1 | 1 | 0 | 0 | 0 | 1 | 1 |

BIT 0 nDRIVE SELECT 2

The DS2 disk interface is not supported.

BIT 1 nDRIVE SELECT 3

The DS3 disk interface is not supported.

BIT 2 WRITE GATE

Active high status of the latched WGATE output signal. This bit is latched by the active going edge of WGATE and is cleared by the read of the DIR register.

BIT 3 READ DATA

Active high status of the latched RDATA output signal. This bit is latched by the inactive going edge of RDATA and is cleared by the read of the DIR register.

BIT 4 WRITE DATA

Active high status of the latched WDATA output signal. This bit is latched by the inactive going edge of WDATA and is cleared by the read of the DIR register. This bit is not gated with WGATE.

BIT 5 nDRIVE SELECT 0

Active low status of the DS0 disk interface output.

BIT 6 nDRIVE SELECT 1

Active low status of the DS1 disk interface output.

BIT 7 nDRV2

Active low status of the DRV2 disk interface input. Note: This function is not supported.

DIGITAL OUTPUT REGISTER (DOR)

Address 3F2 READ/WRITE

The DOR controls the drive select and motor enables of the disk interface outputs. It also contains the enable for the DMA logic and a software reset bit. The contents of the DOR are unaffected by a software reset. The DOR can be written to at any time.

| | 7 | 6 | 5 | 4 | 3 | 2 | 1 | 0 |
|----------------|------------|------------|------------|------------|-------|------------|---------------|---------------|
| | MOT EN3 | MOT EN2 | MOT EN1 | MOT EN0 | DMAEN | nRESE T | DRIVE SEL1 | DRIVE SEL0 |
| RESET COND. | 0 | 0 | 0 | 0 | 0 | 0 | 0 | 0 |

BIT 0 and 1 DRIVE SELECT

These two bits are binary encoded for the drive selects, thereby allowing only one drive to be selected at one time.

BIT 2 nRESET

A logic "0" written to this bit resets the Floppy disk controller. This reset will remain active until a logic "1" is written to this bit. This software reset does not affect the DSR and CCR registers, nor does it affect the other bits of the DOR register. The minimum reset duration required is 100ns, therefore toggling this bit by consecutive writes to this register is a valid method of issuing a software reset.

BIT 3 DMAEN

PC/AT and Model 30 Mode:

Writing this bit to logic "1" will enable the DMA and interrupt functions. This bit being a logic "0" will disable the DMA and interrupt functions. This bit is a logic "0" after a reset and in these modes.

PS/2 Mode: In this mode the DMA and interrupt functions are always enabled. During a reset, this bit will be cleared to a logic "0".

BIT 4 MOTOR ENABLE 0

This bit controls the MTR0 disk interface output. A logic "1" in this bit will cause the output pin to go active.

| DRIVE | DOR VALUE |
|-------|-----------|
| 0 | 1CH |
| 1 | 2DH |

BIT 5 MOTOR ENABLE 1

This bit controls the MTR1 disk interface output. A logic "1" in this bit will cause the output pin to go active.

BIT 6 MOTOR ENABLE 2

The MTR2 disk interface output is not supported in the LPC47M10x.

BIT 7 MOTOR ENABLE 3

The MTR3 disk interface output is not supported in the LPC47M10x.

TAPE DRIVE REGISTER (TDR)**Address 3F3 READ/WRITE**

The Tape Drive Register (TDR) is included for 82077 software compatibility and allows the user to assign tape support to a particular drive during initialization. Any future references to that drive automatically invokes tape support. The TDR Tape Select bits TDR.[1:0] determine the tape drive number. Table 3 illustrates the Tape Select Bit encoding. Note that drive 0 is the boot device and cannot be assigned tape support. The remaining Tape Drive Register bits TDR.[7:2] are tristated when read. The TDR is unaffected by a software reset.

Table 3 - Tape Select Bits

| TAPE SEL1 (TDR.1) | TAPE SEL0 (TDR.0) | DRIVE SELECTED |
|----------------------|----------------------|-------------------|
| 0 | 0 | None |
| 0 | 1 | 1 |
| 1 | 0 | 2 |
| 1 | 1 | 3 |

Table 4 - Internal 2 Drive Decode - Normal

| DIGITAL OUTPUT REGISTER | | | | | | DRIVE SELECT OUTPUTS (ACTIVE LOW) | | MOTOR ON OUTPUTS (ACTIVE LOW) | |
|-------------------------|-------|-------|-------|-------|-------|--------------------------------------|------|----------------------------------|--------|
| Bit 7 | Bit 6 | Bit 5 | Bit 4 | Bit 1 | Bit 0 | nDS1 | nDS0 | nMTR1 | nMTR0 |
| X | X | X | 1 | 0 | 0 | 1 | 0 | nBIT 5 | nBIT 4 |
| X | X | 1 | X | 0 | 1 | 0 | 1 | nBIT 5 | nBIT 4 |
| X | 1 | X | X | 1 | 0 | 1 | 1 | nBIT 5 | nBIT 4 |
| 1 | X | X | X | 1 | 1 | 1 | 1 | nBIT 5 | nBIT 4 |
| 0 | 0 | 0 | 0 | X | X | 1 | 1 | nBIT 5 | nBIT 4 |

Table 5 - Internal 2 Drive Decode - Drives 0 and 1 Swapped

| | | | | | | | | |
|----------------|--------------|---------------|---|---------------|---------------|---------------|---------------|---------------|
| | 7 | 6 | 5 | 4 | 3 | 2 | 1 | 0 |
| | S/W RESET | POWER DOWN | 0 | PRE- COMP2 | PRE- COMP1 | PRE- COMP0 | DRATE SEL1 | DRATE SEL0 |
| RESET COND. | 0 | 0 | 0 | 0 | 0 | 0 | 1 | 0 |

| DIGITAL OUTPUT REGISTER | | | | | | DRIVE SELECT OUTPUTS (ACTIVE LOW) | | MOTOR ON OUTPUTS (ACTIVE LOW) | |
|-------------------------|-------|-------|-------|-------|-------|--------------------------------------|------|----------------------------------|--------|
| Bit 7 | Bit 6 | Bit 5 | Bit 4 | Bit 1 | Bit 0 | nDS1 | nDS0 | nMTR1 | nMTR0 |
| X | X | X | 1 | 0 | 0 | 0 | 1 | nBIT 4 | nBIT 5 |
| X | X | 1 | X | 0 | 1 | 1 | 0 | nBIT 4 | nBIT 5 |
| X | 1 | X | X | 1 | 0 | 1 | 1 | nBIT 4 | nBIT 5 |
| 1 | X | X | X | 1 | 1 | 1 | 1 | nBIT 4 | nBIT 5 |
| 0 | 0 | 0 | 0 | X | X | 1 | 1 | nBIT 4 | nBIT 5 |

Normal Floppy Mode

Normal mode. Register 3F3 contains only bits 0 and 1. When this register is read, bits 2 - 7 are '0'.

| | | | | | | | | |
|---------|-----|-----|-----|-----|-----|-----|-----------|-----------|
| | DB7 | DB6 | DB5 | DB4 | DB3 | DB2 | DB1 | DB0 |
| REG 3F3 | 0 | 0 | 0 | 0 | 0 | 0 | tape sel1 | tape sel0 |

Enhanced Floppy Mode 2 (OS2)

Register 3F3 for Enhanced Floppy Mode 2 operation.

| | | | | | | | | |
|---------|----------|----------|---------------|-----|-------------------|-----|-----------|-----------|
| | DB7 | DB6 | DB5 | DB4 | DB3 | DB2 | DB1 | DB0 |
| REG 3F3 | Reserved | Reserved | Drive Type ID | | Floppy Boot Drive | | tape sel1 | tape sel0 |

Table 6 - Drive Type ID

| DIGITAL OUTPUT REGISTER | | REGISTER 3F3 - DRIVE TYPE ID | |
|-------------------------|-------|------------------------------|--------------|
| Bit 1 | Bit 0 | Bit 5 | Bit 4 |
| 0 | 0 | L0-CRF2 - B1 | L0-CRF2 - B0 |
| 0 | 1 | L0-CRF2 - B3 | L0-CRF2 - B2 |
| 1 | 0 | L0-CRF2 - B5 | L0-CRF2 - B4 |
| 1 | 1 | L0-CRF2 - B7 | L0-CRF2 - B6 |

Note: L0-CRF2-Bx = Logical Device 0, Configuration Register F2, Bit x.

DATA RATE SELECT REGISTER (DSR)

Address 3F4 WRITE ONLY

This register is write only. It is used to program the data rate, amount of write precompensation, power down status, and software reset. The data rate is programmed using the Configuration Control Register (CCR) not the DSR, for PC/AT and PS/2 Model 30.

Other applications can set the data rate in the DSR. The data rate of the floppy controller is the most recent write of either the DSR or CCR. The DSR is unaffected by a software reset. A hardware reset will set the DSR to 02H, which corresponds to the default precompensation setting and 250 Kbps.

BIT 0 and 1 DATA RATE SELECT

These bits control the data rate of the floppy controller. See Table 8 for the settings corresponding to the individual data rates. The data rate select bits are unaffected by a software reset, and are set to 250 Kbps after a hardware reset.

BIT 2 through 4 PRECOMPENSATION SELECT

These three bits select the value of write precompensation that will be applied to the WDATA output signal. Table 7 shows the precompensation values for the combination of these bits settings. Track 0 is the default starting track number to start precompensation. this starting track number can be changed by the configure command.

BIT 5 UNDEFINED

Should be written as a logic "0".

BIT 6 LOW POWER

A logic "1" written to this bit will put the floppy controller into manual low power mode. The floppy controller clock and data separator circuits will be turned off. The controller will come out of manual low power mode after a software reset or access to the Data Register or Main Status Register.

BIT 7 SOFTWARE RESET

This active high bit has the same function as the DOR RESET (DOR bit 2) except that this bit is self clearing.

Note: The DSR is Shadowed in the Floppy Data Rate Select Shadow Register, located at the offset 0x1F in the runtime register block. Separator circuits will be turned off. The controller will come out of manual low power.

Table 7 - Precompensation Delays

| PRECOMP 432 | PRECOMPENSATION DELAY (nsec) | |
|----------------|------------------------------|---------|
| | <2Mbps | 2Mbps |
| 111 | 0.00 | 0 |
| 001 | 41.67 | 20.8 |
| 010 | 83.34 | 41.7 |
| 011 | 125.00 | 62.5 |
| 100 | 166.67 | 83.3 |
| 101 | 208.33 | 104.2 |
| 110 | 250.00 | 125 |
| 000 | Default | Default |

Default: See Table 10

Table 8 - Data Rates

| DRIVE RATE | | DATA RATE | | DATA RATE | | DENSEL | DRATE(1) | |
|------------|------|-----------|------|-----------|-----|--------|----------|---|
| DRT1 | DRT0 | SEL1 | SELO | MFM | FM | | 1 | 0 |
| 0 | 0 | 1 | 1 | 1Meg | --- | 1 | 1 | 1 |
| 0 | 0 | 0 | 0 | 500 | 250 | 1 | 0 | 0 |
| 0 | 0 | 0 | 1 | 300 | 150 | 0 | 0 | 1 |
| 0 | 0 | 1 | 0 | 250 | 125 | 0 | 1 | 0 |
| 0 | 1 | 1 | 1 | 1Meg | --- | 1 | 1 | 1 |
| 0 | 1 | 0 | 0 | 500 | 250 | 1 | 0 | 0 |
| 0 | 1 | 0 | 1 | 500 | 250 | 0 | 0 | 1 |
| 0 | 1 | 1 | 0 | 250 | 125 | 0 | 1 | 0 |
| 1 | 0 | 1 | 1 | 1Meg | --- | 1 | 1 | 1 |
| 1 | 0 | 0 | 0 | 500 | 250 | 1 | 0 | 0 |
| 1 | 0 | 0 | 1 | 2Meg | --- | 0 | 0 | 1 |
| 1 | 0 | 1 | 0 | 250 | 125 | 0 | 1 | 0 |

Drive Rate Table (Recommended) 00 = 360K, 1.2M, 720K, 1.44M and 2.88M Vertical Format
 01 = 3-Mode Drive
 10 = 2 Meg Tape

Note 1: The DRATE and DENSEL values are mapped onto the DRVDEN pins.

Table 9 - DRV DEN Mapping

| DT1 | DT0 | DRV DEN1 (1) | DRV DEN0 (1) | DRIVE TYPE |
|-----|-----|--------------|--------------|--|
| 0 | 0 | DRATE0 | DENSEL | 4/2/1 MB 3.5" 2/1 MB 5.25" FDDS 2/1.6/1 MB 3.5" (3-MODE) |
| 1 | 0 | DRATE0 | DRATE1 | |
| 0 | 1 | DRATE0 | nDENSEL | PS/2 |
| 1 | 1 | DRATE1 | DRATE0 | |

Table 10 - Default Precompensation Delays

| DATA RATE | PRECOMPENSATION DELAYS |
|-----------|------------------------|
| 2 Mbps | 20.8 ns |
| 1 Mbps | 41.67 ns |
| 500 Kbps | 125 ns |
| 300 Kbps | 125 ns |
| 250 Kbps | 125 ns |

MAIN STATUS REGISTER

Address 3F4 READ ONLY

The Main Status Register is a read-only register and indicates the status of the disk controller. The Main Status Register can be read at any time. The MSR indicates when the disk controller is ready to receive data via the Data Register. It should be read before each byte transferring to or from the data register except in DMA mode. No delay is required when reading the MSR after a data transfer.

| 7 | 6 | 5 | 4 | 3 | 2 | 1 | 0 |
|-----|-----|---------|----------|----------|----------|-----------|-----------|
| RQM | DIO | NON DMA | CMD BUSY | Reserved | Reserved | DRV1 BUSY | DRV0 BUSY |

BIT 0 - 1 DRV x BUSY

These bits are set to 1s when a drive is in the seek portion of a command, including implied and overlapped seeks and recalibrates.

BIT 4 COMMAND BUSY

This bit is set to a 1 when a command is in progress. This bit will go active after the command byte has been accepted and goes inactive at the end of the results phase. If there is no result phase (Seek, Recalibrate commands), this bit is returned to a 0 after the last command byte.

BIT 5 NON-DMA

This mode is selected in the SPECIFY command and will be set to a 1 during the execution phase of a command. This is for polled data transfers and helps differentiate between the data transfer phase and the reading of result bytes.

BIT 6 DIO

Indicates the direction of a data transfer once a RQM is set. A 1 indicates a read and a 0 indicates a write is required.

BIT 7 RQM

Indicates that the host can transfer data if set to a 1. No access is permitted if set to a 0.

DATA REGISTER (FIFO)

Address 3F5 READ/WRITE

All command parameter information, disk data and result status are transferred between the host processor and the floppy disk controller through the Data Register.

Data transfers are governed by the RQM and DIO bits in the Main Status Register.

The Data Register defaults to FIFO disabled mode after any form of reset. This maintains PC/AT hardware compatibility. The default values can be changed through the Configure command (enable full FIFO operation with threshold control). The advantage of the FIFO is that it allows the system a larger DMA latency without causing a disk error. Table 11 gives several examples of the delays with a FIFO.

The data is based upon the following formula:

$$\text{Threshold \#} \times \left| \frac{1}{\text{DATA RATE}} \times 8 \right| - 1.5 \mu\text{s} = \text{DELAY}$$

At the start of a command, the FIFO action is always disabled and command parameters must be sent based upon the RQM and DIO bit settings. As the command execution phase is entered, the FIFO is cleared of any data to ensure that invalid data is not transferred.

An overrun or underrun will terminate the current command and the transfer of data. Disk writes will complete the current sector by generating a 00 pattern and valid CRC. Reads require the host to remove the remaining data so that the result phase may be entered.

Table 11 - FIFO Service Delay

| FIFO THRESHOLD EXAMPLES | MAXIMUM DELAY TO SERVICING AT 2 Mbps DATA RATE |
|-------------------------|--|
| 1 byte | 1 x 4 μs - 1.5 μs = 2.5 μs |
| 2 bytes | 2 x 4 μs - 1.5 μs = 6.5 μs |
| 8 bytes | 8 x 4 μs - 1.5 μs = 30.5 μs |
| 15 bytes | 15 x 4 μs - 1.5 μs = 58.5 μs |

| FIFO THRESHOLD EXAMPLES | MAXIMUM DELAY TO SERVICING AT 1 Mbps DATA RATE |
|-------------------------|--|
| 1 byte | 1 x 8 μs - 1.5 μs = 6.5 μs |
| 2 bytes | 2 x 8 μs - 1.5 μs = 14.5 μs |
| 8 bytes | 8 x 8 μs - 1.5 μs = 62.5 μs |
| 15 bytes | 15 x 8 μs - 1.5 μs = 118.5 μs |

| FIFO THRESHOLD EXAMPLES | MAXIMUM DELAY TO SERVICING AT 500 Kbps DATA RATE |
|-------------------------|--|
| 1 byte | 1 x 16 μs - 1.5 μs = 14.5 μs |
| 2 bytes | 2 x 16 μs - 1.5 μs = 30.5 μs |
| 8 bytes | 8 x 16 μs - 1.5 μs = 126.5 μs |
| 15 bytes | 15 x 16 μs - 1.5 μs = 238.5 μs |

DIGITAL INPUT REGISTER (DIR)

Address 3F7 READ ONLY

This register is read-only in all modes.

PC-AT Mode

| | 7 | 6 | 5 | 4 | 3 | 2 | 1 | 0 |
|-------------|-----|-----|-----|-----|-----|-----|-----|-----|
| DSK CHG | 0 | 0 | 0 | 0 | 0 | 0 | 0 | 0 |
| RESET COND. | N/A | N/A | N/A | N/A | N/A | N/A | N/A | N/A |

BIT 0 - 6 UNDEFINED

The data bus outputs D0 - 6 are read as '0'.

BIT 7 DSKCHG

This bit monitors the pin of the same name and reflects the opposite value seen on the disk cable or the value programmed in the Force Disk Change Register (see Runtime Register at offset 0x1E).

PS/2 Mode

| | 7 | 6 | 5 | 4 | 3 | 2 | 1 | 0 |
|-------------|-----|-----|-----|-----|-----|------------|------------|-------------|
| DSK CHG | 1 | 1 | 1 | 1 | 1 | DRATE SEL1 | DRATE SEL0 | nHIGH nDENS |
| RESET COND. | N/A | N/A | N/A | N/A | N/A | N/A | N/A | 1 |

BIT 0 nHIGH DENS

This bit is low whenever the 500 Kbps or 1 Mbps data rates are selected, and high when 250 Kbps and 300 Kbps are selected.

BITS 1 - 2 DATA RATE SELECT

These bits control the data rate of the floppy controller. See Table 8 for the settings corresponding to the individual data rates. The data rate select bits are unaffected by a software reset, and are set to 250 Kbps after a hardware reset.

BITS 3 - 6 UNDEFINED

Always read as a logic "1"

BIT 7 DSKCHG

This bit monitors the pin of the same name and reflects the opposite value seen on the disk cable or the value programmed in the Force Disk Change Register (see Runtime Register at offset 0x1E).

Model 30 Mode

| | 7 | 6 | 5 | 4 | 3 | 2 | 1 | 0 |
|-------------|-----|---|---|---|-------|--------|------------|------------|
| DSK CHG | 0 | 0 | 0 | 0 | DMAEN | NOPREC | DRATE SEL1 | DRATE SEL0 |
| RESET COND. | N/A | 0 | 0 | 0 | 0 | 0 | 1 | 0 |

BITS 0 - 1 DATA RATE SELECT

These bits control the data rate of the floppy controller. See Table 8 for the settings corresponding to the individual data rates. The data rate select bits are unaffected by a software reset, and are set to 250 Kbps after a hardware reset.

BIT 2 NOPREC

This bit reflects the value of NOPREC bit set in the CCR register.

BIT 3 DMAEN

This bit reflects the value of DMAEN bit set in the DOR register bit 3.

BITS 4 - 6 UNDEFINED

Always read as a logic "0"

BIT 7 DSKCHG

This bit monitors the pin of the same name and reflects the opposite value seen on the disk cable or the value programmed in the Force Disk Change Register (see Runtime Register at offset 0x1E).

CONFIGURATION CONTROL REGISTER (CCR)**Address 3F7 WRITE ONLY****PC/AT and PS/2 Modes**

| | 7 | 6 | 5 | 4 | 3 | 2 | 1 | 0 |
|----------------|-----|-----|-----|-----|-----|-----|---------------|---------------|
| | | | | | | | DRATE SEL1 | DRATE SEL0 |
| RESET COND. | N/A | N/A | N/A | N/A | N/A | N/A | 1 | 0 |

BIT 0 and 1 DATA RATE SELECT 0 and 1

These bits determine the data rate of the floppy controller. See Table 8 for the appropriate values.

BIT 2 - 7 RESERVED

Should be set to a logical "0"

PS/2 Model 30 Mode

| | 7 | 6 | 5 | 4 | 3 | 2 | 1 | 0 |
|----------------|-----|-----|-----|-----|-----|--------|---------------|---------------|
| | | | | | | NOPREC | DRATE SEL1 | DRATE SEL0 |
| RESET COND. | N/A | N/A | N/A | N/A | N/A | N/A | 1 | 0 |

BIT 0 and 1 DATA RATE SELECT 0 and 1

These bits determine the data rate of the floppy controller. See Table 8 for the appropriate values.

BIT 2 NO PRECOMPENSATION

This bit can be set by software, but it has no functionality. It can be read by bit 2 of the DSR when in Model 30 register mode. Unaffected by software reset.

BIT 3 - 7 RESERVED

Should be set to a logical "0"

Table 9 shows the state of the DENSEL pin. The DENSEL pin is set high after a hardware reset and is unaffected by the DOR and the DSR resets.

STATUS REGISTER ENCODING

During the Result Phase of certain commands, the Data Register contains data bytes that give the status of the command just executed.

Table 12 - Status Register 0

| BIT NO. | SYMBOL | NAME | DESCRIPTION |
|---------|--------|-----------------|--|
| 7,6 | IC | Interrupt Code | 00 - Normal termination of command. The specified command was properly executed and completed without error. 01 - Abnormal termination of command. Command execution was started, but was not successfully completed. 10 - Invalid command. The requested command could not be executed. 11 - Abnormal termination caused by Polling. |
| 5 | SE | Seek End | The FDC completed a Seek, Relative Seek or Recalibrate command (used during a Sense Interrupt Command). |
| 4 | EC | Equipment Check | The TRK0 pin failed to become a "1" after: 1. 80 step pulses in the Recalibrate command. 2. The Relative Seek command caused the FDC to step outward beyond Track 0. |
| 3 | | | Unused. This bit is always "0". |
| 2 | H | Head Address | The current head address. |
| 1,0 | DS1,0 | Drive Select | The current selected drive. |

Table 13 - Status Register 1

| BIT NO. | SYMBOL | NAME | DESCRIPTION |
|---------|--------|----------------------|---|
| 7 | EN | End of Cylinder | The FDC tried to access a sector beyond the final sector of the track (255D). Will be set if TC is not issued after Read or Write Data command. |
| 6 | | | Unused. This bit is always "0". |
| 5 | DE | Data Error | The FDC detected a CRC error in either the ID field or the data field of a sector. |
| 4 | OR | Overrun/Underrun | Becomes set if the FDC does not receive CPU or DMA service within the required time interval, resulting in data overrun or underrun. |
| 3 | | | Unused. This bit is always "0". |
| 2 | ND | No Data | Any one of the following: 1. Read Data, Read Deleted Data command - the FDC did not find the specified sector. 2. Read ID command - the FDC cannot read the ID field without an error. 3. Read A Track command - the FDC cannot find the proper sector sequence. |
| 1 | NW | Not Writeable | WP pin became a "1" while the FDC is executing a Write Data, Write Deleted Data, or Format A Track command. |
| 0 | MA | Missing Address Mark | Any one of the following: 1. The FDC did not detect an ID address mark at the specified track after encountering the index pulse from the nINDEX pin twice. 2. The FDC cannot detect a data address mark or a deleted data address mark on the specified track. |

Table 14 - Status Register 2

| BIT NO. | SYMBOL | NAME | DESCRIPTION |
|----------------|---------------|---------------------------|---|
| 7 | | | Unused. This bit is always "0". |
| 6 | CM | Control Mark | Any one of the following: Read Data command - the FDC encountered a deleted data address mark. Read Deleted Data command - the FDC encountered a data address mark. |
| 5 | DD | Data Error in Data Field | The FDC detected a CRC error in the data field. |
| 4 | WC | Wrong Cylinder | The track address from the sector ID field is different from the track address maintained inside the FDC. |
| 3 | | | Unused. This bit is always "0". |
| 2 | | | Unused. This bit is always "0". |
| 1 | BC | Bad Cylinder | The track address from the sector ID field is different from the track address maintained inside the FDC and is equal to FF hex, which indicates a bad track with a hard error according to the IBM soft-sectored format. |
| 0 | MD | Missing Data Address Mark | The FDC cannot detect a data address mark or a deleted data address mark. |

Table 15 - Status Register 3

| BIT NO. | SYMBOL | NAME | DESCRIPTION |
|----------------|---------------|-----------------|--|
| 7 | | | Unused. This bit is always "0". |
| 6 | WP | Write Protected | Indicates the status of the WP pin. |
| 5 | | | Unused. This bit is always "1". |
| 4 | T0 | Track 0 | Indicates the status of the TRK0 pin. |
| 3 | | | Unused. This bit is always "1". |
| 2 | HD | Head Address | Indicates the status of the HDSEL pin. |
| 1,0 | DS1,0 | Drive Select | Indicates the status of the DS1, DS0 pins. |

RESET

There are three sources of system reset on the FDC: the nPCI_RESET pin, a reset generated via a bit in the DOR, and a reset generated via a bit in the DSR. At power on, a Power On Reset initializes the FDC. All resets take the FDC out of the power down state.

All operations are terminated upon a nPCI_RESET, and the FDC enters an idle state. A reset while a disk write is in progress will corrupt the data and CRC.

On exiting the reset state, various internal registers are cleared, including the Configure command information, and the FDC waits for a new command. Drive polling will start unless disabled by a new Configure command.

nPCI_RESET Pin (Hardware Reset)

The nPCI_RESET pin is a global reset and clears all registers except those programmed by the Specify command. The DOR reset bit is enabled and must be cleared by the host to exit the reset state.

DOR Reset vs. DSR Reset (Software Reset)

These two resets are functionally the same. Both will reset the FDC core, which affects drive status information and the FIFO circuits. The DSR reset clears itself automatically while the DOR reset requires the host to manually clear it. DOR reset has precedence over the DSR reset. The DOR reset is set automatically upon a pin reset. The user must manually clear this reset bit in the DOR to exit the reset state.

MODES OF OPERATION

The FDC has three modes of operation, PC/AT mode, PS/2 mode and Model 30 mode. These are determined by the state of the Interface Mode bits in LD0-CRF0[3,2].

PC/AT mode

The PC/AT register set is enabled, the DMA enable bit of the DOR becomes valid (controls the interrupt and DMA functions), and DENSEL is an active high signal.

PS/2 mode

This mode supports the PS/2 models 50/60/80 configuration and register set. The DMA bit of the DOR becomes a "don't care". The DMA and interrupt functions are always enabled, and DENSEL is active low.

Model 30 mode

This mode supports PS/2 Model 30 configuration and register set. The DMA enable bit of the DOR becomes valid (controls the interrupt and DMA functions), and DENSEL is active low.

DMA TRANSFERS

DMA transfers are enabled with the Specify command and are initiated by the FDC by activating a DMA request cycle. DMA read, write and verify cycles are supported. The FDC supports two DMA transfer modes: Single Transfer and Burst Transfer. Burst mode is enabled via Logical Device 0-CRF0-Bit[1] (LD0-CRF0[1]).

CONTROLLER PHASES

For simplicity, command handling in the FDC can be divided into three phases: Command, Execution, and Result. Each phase is described in the following sections.

Command Phase

After a reset, the FDC enters the command phase and is ready to accept a command from the host. For each of the commands, a defined set of command code bytes and parameter bytes has to be written to the FDC before the command phase is complete. (Please refer to Table 16 for the command set descriptions). These bytes of data must be transferred in the order prescribed.

Before writing to the FDC, the host must examine the RQM and DIO bits of the Main Status Register. RQM and DIO must be equal to "1" and "0" respectively before command bytes may be written. RQM is set false by the FDC after each write cycle until the received byte is processed. The FDC asserts RQM again to request each parameter byte of the command unless an illegal command condition is detected. After the last parameter byte is received, RQM remains "0" and the FDC automatically enters the next phase as defined by the command definition.

The FIFO is disabled during the command phase to provide for the proper handling of the "Invalid Command" condition.

Execution Phase

All data transfers to or from the FDC occur during the execution phase, which can proceed in DMA or non-DMA mode as indicated in the Specify command.

After a reset, the FIFO is disabled. Each data byte is transferred by a read/write or DMA cycle depending on the DMA mode. The Configure command can enable the FIFO and set the FIFO threshold value.

The following paragraphs detail the operation of the FIFO flow control. In these descriptions, <threshold> is defined as the number of bytes available to the FDC when service is requested from the host and ranges from 1 to 16. The parameter FIFOTHR, which the user programs, is one less and ranges from 0 to 15.

A low threshold value (i.e. 2) results in longer periods of time between service requests, but requires faster servicing of the request for both read and write cases. The host reads (writes) from (to) the FIFO until empty (full), then the transfer request goes inactive. The host must be very responsive to the service request. This is the desired case for use with a "fast" system.

A high value of threshold (i.e. 12) is used with a "sluggish" system by affording a long latency period after a service request, but results in more frequent service requests.

Non-DMA Mode - Transfers from the FIFO to the Host

The interrupt and RQM bits in the Main Status Register are activated when the FIFO contains (16-<threshold>) bytes or the last bytes of a full sector have been placed in the FIFO. The interrupt can be used for interrupt-driven systems, and

RQM can be used for polled systems. The host must respond to the request by reading data from the FIFO. This process is repeated until the last byte is transferred out of the FIFO. The FDC will deactivate the interrupt and RQM bit when the FIFO becomes empty.

Non-DMA Mode - Transfers from the Host to the FIFO

The interrupt and RQM bit in the Main Status Register are activated upon entering the execution phase of data transfer commands. The host must respond to the request by writing data into the FIFO. The interrupt and RQM bit remain true until the FIFO becomes full. They are set true again when the FIFO has <threshold> bytes remaining in the FIFO. The FDC enters the result phase after the last byte is taken by the FDC from the FIFO (i.e. FIFO empty condition).

DMA Mode - Transfers from the FIFO to the Host

The FDC generates a DMA request cycle when the FIFO contains (16 - <threshold>) bytes, or the last byte of a full sector transfer has been placed in the FIFO. The DMA controller must respond to the request by reading data from the FIFO. The FDC will deactivate the DMA request when the FIFO becomes empty by generating the proper sync for the data transfer.

DMA Mode - Transfers from the Host to the FIFO.

The FDC generates a DMA request cycle when entering the execution phase of the data transfer commands. The DMA controller must respond by placing data in the FIFO. The DMA request remains active until the FIFO becomes full. The DMA request cycle is reasserted when the FIFO has <threshold> bytes remaining in the FIFO. The FDC will terminate the DMA cycle after a TC, indicating that no more data is required.

Data Transfer Termination

The FDC supports terminal count explicitly through the TC pin and implicitly through the underrun/overflow and end-of-track (EOT) functions. For full sector transfers, the EOT parameter can define the last sector to be transferred in a single or multi-sector transfer.

If the last sector to be transferred is a partial sector, the host can stop transferring the data in mid-sector, and the FDC will continue to complete the sector as if a TC cycle was received. The only difference between these implicit functions and TC cycle is that they return "abnormal termination" result status. Such status indications can be ignored if they were expected.

Note that when the host is sending data to the FIFO of the FDC, the internal sector count will be complete when the FDC reads the last byte from its side of the FIFO. There may be a delay in the removal of the transfer request signal of up to the time taken for the FDC to read the last 16 bytes from the FIFO. The host must tolerate this delay.

Result Phase

The generation of the interrupt determines the beginning of the result phase. For each of the commands, a defined set of result bytes has to be read from the FDC before the result phase is complete. These bytes of data must be read out for another command to start.

RQM and DIO must both equal "1" before the result bytes may be read. After all the result bytes have been read, the RQM and DIO bits switch to "1" and "0" respectively, and the CB bit is cleared, indicating that the FDC is ready to accept the next command.

COMMAND SET/DESCRIPTIONS

Commands can be written whenever the FDC is in the command phase. Each command has a unique set of needed parameters and status results. The FDC checks to see that the first byte is a valid command and, if valid, proceeds with the command. If it is invalid, an interrupt is issued. The user sends a Sense Interrupt Status command which returns an invalid command error. Refer to Table 16 for explanations of the various symbols used. Table 17 lists the required parameters and the results associated with each command that the FDC is capable of performing.

Table 16 - Description of Command Symbols

| SYMBOL | NAME | DESCRIPTION | | | | | | | | | |
|------------|----------------------|--|------------|------------|--------------|---|---|---------|---|---|---------|
| C | Cylinder Address | The currently selected address; 0 to 255. | | | | | | | | | |
| D | Data Pattern | The pattern to be written in each sector data field during formatting. | | | | | | | | | |
| D0, D1 | Drive Select 0-1 | Designates which drives are perpendicular drives on the Perpendicular Mode Command. A "1" indicates a perpendicular drive. | | | | | | | | | |
| DIR | Direction Control | If this bit is 0, then the head will step out from the spindle during a relative seek. If set to a 1, the head will step in toward the spindle. | | | | | | | | | |
| DS0, DS1 | Disk Drive Select | <table style="margin-left: auto; margin-right: auto; border-collapse: collapse;"> <tr> <td style="border: none; padding: 0 10px;"><u>DS1</u></td> <td style="border: none; padding: 0 10px;"><u>DS0</u></td> <td style="border: none; padding: 0 10px;"><u>DRIVE</u></td> </tr> <tr> <td style="border: none; text-align: center;">0</td> <td style="border: none; text-align: center;">0</td> <td style="border: none; text-align: center;">Drive 0</td> </tr> <tr> <td style="border: none; text-align: center;">0</td> <td style="border: none; text-align: center;">1</td> <td style="border: none; text-align: center;">Drive 1</td> </tr> </table> | <u>DS1</u> | <u>DS0</u> | <u>DRIVE</u> | 0 | 0 | Drive 0 | 0 | 1 | Drive 1 |
| <u>DS1</u> | <u>DS0</u> | <u>DRIVE</u> | | | | | | | | | |
| 0 | 0 | Drive 0 | | | | | | | | | |
| 0 | 1 | Drive 1 | | | | | | | | | |
| DTL | Special Sector Size | By setting N to zero (00), DTL may be used to control the number of bytes transferred in disk read/write commands. The sector size (N = 0) is set to 128. If the actual sector (on the diskette) is larger than DTL, the remainder of the actual sector is read but is not passed to the host during read commands; during write commands, the remainder of the actual sector is written with all zero bytes. The CRC check code is calculated with the actual sector. When N is not zero, DTL has no meaning and should be set to FF HEX. | | | | | | | | | |
| EC | Enable Count | When this bit is "1" the "DTL" parameter of the Verify command becomes SC (number of sectors per track). | | | | | | | | | |
| EFIFO | Enable FIFO | This active low bit when a 0, enables the FIFO. A "1" disables the FIFO (default). | | | | | | | | | |
| EIS | Enable Implied Seek | When set, a seek operation will be performed before executing any read or write command that requires the C parameter in the command phase. A "0" disables the implied seek. | | | | | | | | | |
| EOT | End of Track | The final sector number of the current track. | | | | | | | | | |
| GAP | | Alters Gap 2 length when using Perpendicular Mode. | | | | | | | | | |
| GPL | Gap Length | The Gap 3 size. (Gap 3 is the space between sectors excluding the VCO synchronization field). | | | | | | | | | |
| H/HDS | Head Address | Selected head: 0 or 1 (disk side 0 or 1) as encoded in the sector ID field. | | | | | | | | | |
| HLT | Head Load Time | The time interval that FDC waits after loading the head and before initializing a read or write operation. Refer to the Specify command for actual delays. | | | | | | | | | |
| HUT | Head Unload Time | The time interval from the end of the execution phase (of a read or write command) until the head is unloaded. Refer to the Specify command for actual delays. | | | | | | | | | |
| LOCK | | Lock defines whether EFIFO, FIFOTHR, and PRETRK parameters of the CONFIGURE COMMAND can be reset to their default values by a "software Reset". (A reset caused by writing to the appropriate bits of either the DSR or DOR) | | | | | | | | | |
| MFM | MFM/FM Mode Selector | A one selects the double density (MFM) mode. A zero selects single density (FM) mode. | | | | | | | | | |

Table 16 - Description of Command Symbols

| SYMBOL | NAME | DESCRIPTION |
|--------------------------|--|--|
| MT | Multi-Track Selector | When set, this flag selects the multi-track operating mode. In this mode, the FDC treats a complete cylinder under head 0 and 1 as a single track. The FDC operates as this expanded track started at the first sector under head 0 and ended at the last sector under head 1. With this flag set, a multitrack read or write operation will automatically continue to the first sector under head 1 when the FDC finishes operating on the last sector under head 0. |
| N | Sector Size Code | This specifies the number of bytes in a sector. If this parameter is "00", then the sector size is 128 bytes. The number of bytes transferred is determined by the DTL parameter. Otherwise the sector size is (2 raised to the "N"th power) times 128. All values up to "07" hex are allowable. "07" would equal a sector size of 16k. It is the user's responsibility to not select combinations that are not possible with the drive. N SECTOR SIZE 128 Bytes 256 Bytes 512 Bytes 1024 Bytes 07 16K Bytes |
| NCN | New Cylinder Number | The desired cylinder number. |
| ND | Non-DMA Mode Flag | When set to 1, indicates that the FDC is to operate in the non-DMA mode. In this mode, the host is interrupted for each data transfer. When set to 0, the FDC operates in DMA mode. |
| OW | Overwrite | The bits D0-D3 of the Perpendicular Mode Command can only be modified if OW is set to 1. OW is defined in the Lock command. |
| PCN | Present Cylinder Number | The current position of the head at the completion of Sense Interrupt Status command. |
| POLL | Polling Disable | When set, the internal polling routine is disabled. When clear, polling is enabled. |
| PRETRK | Precompensation Start Track Number | Programmable from track 00 to FFH. |
| R | Sector Address | The sector number to be read or written. In multi-sector transfers, this parameter specifies the sector number of the first sector to be read or written. |
| RCN | Relative Cylinder Number | Relative cylinder offset from present cylinder as used by the Relative Seek command. |
| SC | Number of Sectors Per Track | The number of sectors per track to be initialized by the Format command. The number of sectors per track to be verified during a Verify command when EC is set. |
| SK | Skip Flag | When set to 1, sectors containing a deleted data address mark will automatically be skipped during the execution of Read Data. If Read Deleted is executed, only sectors with a deleted address mark will be accessed. When set to "0", the sector is read or written the same as the read and write commands. |
| SRT | Step Rate Interval | The time interval between step pulses issued by the FDC. Programmable from 0.5 to 8 milliseconds in increments of 0.5 ms at the 1 Mbit data rate. Refer to the SPECIFY command for actual delays. |
| ST0 ST1 ST2 ST3 | Status 0 Status 1 Status 2 Status 3 | Registers within the FDC which store status information after a command has been executed. This status information is available to the host during the result phase after command execution. |

Table 16 - Description of Command Symbols

| SYMBOL | NAME | DESCRIPTION |
|---------------|-------------|---|
| WGATE | Write Gate | Alters timing of WE to allow for pre-erase loads in perpendicular drives. |

INSTRUCTION SET

Table 17 - Instruction Set

| READ DATA | | | | | | | | | | | |
|------------------|-----------------|-----------------|-----------|-----------|-----------|-----------|-----------|-----------|-----------|--|---|
| PHASE | R/W | DATA BUS | | | | | | | | REMARKS | |
| | | D7 | D6 | D5 | D4 | D3 | D2 | D1 | D0 | | |
| Command | W | MT | MFM | SK | 0 | 0 | 1 | 1 | 0 | Command Codes | |
| | W | 0 | 0 | 0 | 0 | 0 | HDS | DS1 | DS0 | | |
| | W | _____ C _____ | | | | | | | | | Sector ID information prior to Command execution. |
| | W | _____ H _____ | | | | | | | | | |
| | W | _____ R _____ | | | | | | | | | |
| | W | _____ N _____ | | | | | | | | | |
| | W | _____ EOT _____ | | | | | | | | | |
| | W | _____ GPL _____ | | | | | | | | | |
| W | _____ DTL _____ | | | | | | | | | | |
| Execution | | | | | | | | | | Data transfer between the FDD and system. | |
| Result | R | _____ ST0 _____ | | | | | | | | Status information after Command execution. | |
| | R | _____ ST1 _____ | | | | | | | | | |
| | R | _____ ST2 _____ | | | | | | | | | |
| | R | _____ C _____ | | | | | | | | Sector ID information after Command execution. | |
| | R | _____ H _____ | | | | | | | | | |
| | R | _____ R _____ | | | | | | | | | |
| | R | _____ N _____ | | | | | | | | | |

| READ DELETED DATA | | | | | | | | | | | |
|-------------------|-----------------|-----------------|-----|----|----|----|-----|-----|--|--|---|
| PHASE | R/W | DATA BUS | | | | | | | | REMARKS | |
| | | D7 | D6 | D5 | D4 | D3 | D2 | D1 | D0 | | |
| Command | W | MT | MFM | SK | 0 | 1 | 1 | 0 | 0 | Command Codes | |
| | W | 0 | 0 | 0 | 0 | 0 | HDS | DS1 | DS0 | | |
| | W | _____ C _____ | | | | | | | | | Sector ID information prior to Command execution. |
| | W | _____ H _____ | | | | | | | | | |
| | W | _____ R _____ | | | | | | | | | |
| | W | _____ N _____ | | | | | | | | | |
| | W | _____ EOT _____ | | | | | | | | | |
| W | _____ GPL _____ | | | | | | | | | | |
| W | _____ DTL _____ | | | | | | | | Data transfer between the FDD and system. Status information after Command execution. | | |
| Execution | | | | | | | | | | | |
| Result | R | _____ ST0 _____ | | | | | | | | Sector ID information after Command execution. | |
| | R | _____ ST1 _____ | | | | | | | | | |
| | R | _____ ST2 _____ | | | | | | | | | |
| | R | _____ C _____ | | | | | | | | | |
| | R | _____ H _____ | | | | | | | | | |
| | R | _____ R _____ | | | | | | | | | |
| R | _____ N _____ | | | | | | | | | | |

| WRITE DATA | | | | | | | | | | | |
|------------|-----------------|-----------------|-----|----|----|----|-----|-----|--|--|---|
| PHASE | R/W | DATA BUS | | | | | | | | REMARKS | |
| | | D7 | D6 | D5 | D4 | D3 | D2 | D1 | D0 | | |
| Command | W | MT | MFM | 0 | 0 | 0 | 1 | 0 | 1 | Command Codes | |
| | W | 0 | 0 | 0 | 0 | 0 | HDS | DS1 | DS0 | | |
| | W | _____ C _____ | | | | | | | | | Sector ID information prior to Command execution. |
| | W | _____ H _____ | | | | | | | | | |
| | W | _____ R _____ | | | | | | | | | |
| | W | _____ N _____ | | | | | | | | | |
| | W | _____ EOT _____ | | | | | | | | | |
| W | _____ GPL _____ | | | | | | | | | | |
| W | _____ DTL _____ | | | | | | | | Data transfer between the FDD and system. Status information after Command execution. | | |
| Execution | | | | | | | | | | | |
| Result | R | _____ ST0 _____ | | | | | | | | Sector ID information after Command execution. | |
| | R | _____ ST1 _____ | | | | | | | | | |
| | R | _____ ST2 _____ | | | | | | | | | |
| | R | _____ C _____ | | | | | | | | | |
| | R | _____ H _____ | | | | | | | | | |
| | R | _____ R _____ | | | | | | | | | |
| R | _____ N _____ | | | | | | | | | | |

| WRITE DELETED DATA | | | | | | | | | | | |
|--------------------|-----------------|-----------------|-----|----|----|----|-----|-----|---|--|---|
| PHASE | R/W | DATA BUS | | | | | | | | REMARKS | |
| | | D7 | D6 | D5 | D4 | D3 | D2 | D1 | D0 | | |
| Command | W | MT | MFM | 0 | 0 | 1 | 0 | 0 | 1 | Command Codes | |
| | W | 0 | 0 | 0 | 0 | 0 | HDS | DS1 | DS0 | | |
| | W | _____ C _____ | | | | | | | | | Sector ID information prior to Command execution. |
| | W | _____ H _____ | | | | | | | | | |
| | W | _____ R _____ | | | | | | | | | |
| | W | _____ N _____ | | | | | | | | | |
| | W | _____ EOT _____ | | | | | | | | | |
| W | _____ GPL _____ | | | | | | | | | | |
| W | _____ DTL _____ | | | | | | | | Data transfer between the FDD and system. Status information after Command execution. | | |
| Execution | R | _____ ST0 _____ | | | | | | | | | |
| | R | _____ ST1 _____ | | | | | | | | | |
| | R | _____ ST2 _____ | | | | | | | | | |
| | R | _____ C _____ | | | | | | | | Sector ID information after Command execution. | |
| | R | _____ H _____ | | | | | | | | | |
| | R | _____ R _____ | | | | | | | | | |
| | R | _____ N _____ | | | | | | | | | |

| READ A TRACK | | | | | | | | | | | |
|--------------|-----------------|-----------------|-----|----|----|----|-----|-----|--|--|---|
| PHASE | R/W | DATA BUS | | | | | | | | REMARKS | |
| | | D7 | D6 | D5 | D4 | D3 | D2 | D1 | D0 | | |
| Command | W | 0 | MFM | 0 | 0 | 0 | 0 | 1 | 0 | Command Codes | |
| | W | 0 | 0 | 0 | 0 | 0 | HDS | DS1 | DS0 | | |
| | W | _____ C _____ | | | | | | | | | Sector ID information prior to Command execution. |
| | W | _____ H _____ | | | | | | | | | |
| | W | _____ R _____ | | | | | | | | | |
| | W | _____ N _____ | | | | | | | | | |
| | W | _____ EOT _____ | | | | | | | | | |
| W | _____ GPL _____ | | | | | | | | | | |
| W | _____ DTL _____ | | | | | | | | Data transfer between the FDD and system. FDC reads all of cylinders' contents from index hole to EOT. Status information after Command execution. | | |
| Execution | R | _____ ST0 _____ | | | | | | | | | |
| | R | _____ ST1 _____ | | | | | | | | | |
| | R | _____ ST2 _____ | | | | | | | | | |
| | R | _____ C _____ | | | | | | | | Sector ID information after Command execution. | |
| | R | _____ H _____ | | | | | | | | | |
| | R | _____ R _____ | | | | | | | | | |
| | R | _____ N _____ | | | | | | | | | |

| VERIFY | | | | | | | | | | |
|---------|-----------|-------------------|-----|----|----|----|-----|-----|-----|--|
| PHASE | R/W | DATA BUS | | | | | | | | REMARKS |
| | | D7 | D6 | D5 | D4 | D3 | D2 | D1 | D0 | |
| Command | W | MT | MFM | SK | 1 | 0 | 1 | 1 | 0 | Command Codes |
| | W | EC | 0 | 0 | 0 | 0 | HDS | DS1 | DS0 | |
| | W | ———— C ————— | | | | | | | | |
| | W | ———— H ————— | | | | | | | | |
| | W | ———— R ————— | | | | | | | | |
| | W | ———— N ————— | | | | | | | | |
| | W | ———— EOT ————— | | | | | | | | |
| | W | ———— GPL ————— | | | | | | | | |
| | W | ———— DTL/SC ————— | | | | | | | | |
| | Execution | | | | | | | | | |
| Result | R | ———— ST0 ————— | | | | | | | | Status information after Command execution. |
| | R | ———— ST1 ————— | | | | | | | | |
| | R | ———— ST2 ————— | | | | | | | | |
| | R | ———— C ————— | | | | | | | | Sector ID information after Command execution. |
| | R | ———— H ————— | | | | | | | | |
| | R | ———— R ————— | | | | | | | | |
| | R | ———— N ————— | | | | | | | | |

| VERSION | | | | | | | | | | |
|---------|-----|----------|----|----|----|----|----|----|----|---------------------|
| PHASE | R/W | DATA BUS | | | | | | | | REMARKS |
| | | D7 | D6 | D5 | D4 | D3 | D2 | D1 | D0 | |
| Command | W | 0 | 0 | 0 | 1 | 0 | 0 | 0 | 0 | Command Code |
| Result | R | 1 | 0 | 0 | 1 | 0 | 0 | 0 | 0 | Enhanced Controller |

| FORMAT A TRACK | | | | | | | | | | |
|-----------------------------------|-----|----------------------|-----|----|----|----|-----|-----|-----|--|
| PHASE | R/W | DATA BUS | | | | | | | | REMARKS |
| | | D7 | D6 | D5 | D4 | D3 | D2 | D1 | D0 | |
| Command | W | 0 | MFM | 0 | 0 | 1 | 1 | 0 | 1 | Command Codes |
| | W | 0 | 0 | 0 | 0 | 0 | HDS | DS1 | DS0 | |
| | W | ———— N ————— | | | | | | | | |
| | W | ———— SC ————— | | | | | | | | |
| | W | ———— GPL ————— | | | | | | | | |
| Execution for Each Sector Repeat: | W | ———— D ————— | | | | | | | | Input Sector Parameters |
| | W | ———— C ————— | | | | | | | | |
| | W | ———— H ————— | | | | | | | | |
| | W | ———— R ————— | | | | | | | | |
| Result | R | ———— N ————— | | | | | | | | FDC formats an entire cylinder Status information after Command execution |
| | R | ———— ST0 ————— | | | | | | | | |
| | R | ———— ST1 ————— | | | | | | | | |
| | R | ———— ST2 ————— | | | | | | | | |
| | R | ———— Undefined ————— | | | | | | | | |
| | R | ———— Undefined ————— | | | | | | | | |
| | R | ———— Undefined ————— | | | | | | | | |

| RECALIBRATE | | | | | | | | | | |
|-------------|-----|----------|----|----|----|----|----|-----|-----|---------------|
| PHASE | R/W | DATA BUS | | | | | | | | REMARKS |
| | | D7 | D6 | D5 | D4 | D3 | D2 | D1 | D0 | |
| Command | W | 0 | 0 | 0 | 0 | 0 | 1 | 1 | 1 | Command Codes |
| Execution | W | 0 | 0 | 0 | 0 | 0 | 0 | DS1 | DS0 | |

| SENSE INTERRUPT STATUS | | | | | | | | | | |
|------------------------|-----|-----------------|----|----|----|----|----|----|----|--|
| PHASE | R/W | DATA BUS | | | | | | | | REMARKS |
| | | D7 | D6 | D5 | D4 | D3 | D2 | D1 | D0 | |
| Command | W | 0 | 0 | 0 | 0 | 1 | 0 | 0 | 0 | Command Codes Status information at the end of each seek operation. |
| Result | R | ————— ST0 ————— | | | | | | | | |
| | R | ————— PCN ————— | | | | | | | | |

| SPECIFY | | | | | | | | | | |
|---------|-----|-----------------|----|----|----|-----------|----|----|----|---------------|
| PHASE | R/W | DATA BUS | | | | | | | | REMARKS |
| | | D7 | D6 | D5 | D4 | D3 | D2 | D1 | D0 | |
| Command | W | 0 | 0 | 0 | 0 | 0 | 0 | 1 | 1 | Command Codes |
| | W | —— SRT —— | | | | —— HUT —— | | | | |
| | W | ————— HLT ————— | | | | | | ND | | |

| SENSE DRIVE STATUS | | | | | | | | | | |
|--------------------|-----|-----------------|----|----|----|----|-----|-----|-----|---|
| PHASE | R/W | DATA BUS | | | | | | | | REMARKS |
| | | D7 | D6 | D5 | D4 | D3 | D2 | D1 | D0 | |
| Command | W | 0 | 0 | 0 | 0 | 0 | 1 | 0 | 0 | Command Codes Status information about FDD |
| Result | W | 0 | 0 | 0 | 0 | 0 | HDS | DS1 | DS0 | |
| | R | ————— ST3 ————— | | | | | | | | |

| SEEK | | | | | | | | | | |
|-----------|-----|-----------------|----|----|----|----|-----|-----|-----|---------------|
| PHASE | R/W | DATA BUS | | | | | | | | REMARKS |
| | | D7 | D6 | D5 | D4 | D3 | D2 | D1 | D0 | |
| Command | W | 0 | 0 | 0 | 0 | 1 | 1 | 1 | 1 | Command Codes |
| Execution | W | 0 | 0 | 0 | 0 | 0 | HDS | DS1 | DS0 | |
| | W | ————— NCN ————— | | | | | | | | |

| CONFIGURE | | | | | | | | | | |
|-----------|-----|--------------------|-----|-------|------|----|----|---------------|----|-----------------------|
| PHASE | R/W | DATA BUS | | | | | | | | REMARKS |
| | | D7 | D6 | D5 | D4 | D3 | D2 | D1 | D0 | |
| Command | W | 0 | 0 | 0 | 1 | 0 | 0 | 1 | 1 | Configure Information |
| | W | 0 | 0 | 0 | 0 | 0 | 0 | 0 | 0 | |
| | W | 0 | EIS | EFIFO | POLL | | | —— FIFOTHR —— | | |
| Execution | W | ————— PRETRK ————— | | | | | | | | |

| RELATIVE SEEK | | | | | | | | | | |
|---------------|-----|-----------------|-----|----|----|----|-----|-----|-----|---------|
| PHASE | R/W | DATA BUS | | | | | | | | REMARKS |
| | | D7 | D6 | D5 | D4 | D3 | D2 | D1 | D0 | |
| Command | W | 1 | DIR | 0 | 0 | 1 | 1 | 1 | 1 | |
| | W | 0 | 0 | 0 | 0 | 0 | HDS | DS1 | DS0 | |
| | W | ————— RCN ————— | | | | | | | | |

| DUMPREG | | | | | | | | | | | |
|---------------------|-----|-------------------------|-----|-------|------|----|---------------|-----|-------|--|--|
| PHASE | R/W | DATA BUS | | | | | | | | REMARKS | |
| | | D7 | D6 | D5 | D4 | D3 | D2 | D1 | D0 | | |
| Command | W | 0 | 0 | 0 | 0 | 1 | 1 | 1 | 0 | *Note: Registers placed in FIFO | |
| Execution Result | R | ————— PCN-Drive 0 ————— | | | | | | | | | |
| | R | ————— PCN-Drive 1 ————— | | | | | | | | | |
| | R | ————— PCN-Drive 2 ————— | | | | | | | | | |
| | R | ————— PCN-Drive 3 ————— | | | | | | | | | |
| | R | —— SRT —— | | | | | —— HUT —— | | | | |
| | R | ————— HLT ————— | | | | | | ND | | | |
| | R | ————— SC/EOT ————— | | | | | | | | | |
| | R | LOCK | 0 | D3 | D2 | D1 | D0 | GAP | WGATE | | |
| | R | 0 | EIS | EFIFO | POLL | | —— FIFOTHR —— | | | | |
| | R | ————— PRETRK ————— | | | | | | | | | |

| READ ID | | | | | | | | | | |
|-----------|-----|-----------------|-----|----|----|----|-----|-----|-----|----------|
| PHASE | R/W | DATA BUS | | | | | | | | REMARKS |
| | | D7 | D6 | D5 | D4 | D3 | D2 | D1 | D0 | |
| Command | W | 0 | MFM | 0 | 0 | 1 | 0 | 1 | 0 | Commands |
| Execution | W | 0 | 0 | 0 | 0 | 0 | HDS | DS1 | DS0 | |
| Result | R | ————— ST0 ————— | | | | | | | | |
| | R | ————— ST1 ————— | | | | | | | | |
| | R | ————— ST2 ————— | | | | | | | | |
| | R | ————— C ————— | | | | | | | | |
| | R | ————— H ————— | | | | | | | | |
| | R | ————— R ————— | | | | | | | | |
| | R | ————— N ————— | | | | | | | | |

| PERPENDICULAR MODE | | | | | | | | | | |
|--------------------|-----|----------|----|----|----|----|----|-----|-------|---------------|
| PHASE | R/W | DATA BUS | | | | | | | | REMARKS |
| | | D7 | D6 | D5 | D4 | D3 | D2 | D1 | D0 | |
| Command | W | 0 | 0 | 0 | 1 | 0 | 0 | 1 | 0 | Command Codes |
| | | OW | 0 | D3 | D2 | D1 | D0 | GAP | WGATE | |

| INVALID CODES | | | | | | | | | | |
|---------------|-----|---------------|----|----|----|----|----|----|----|---|
| PHASE | R/W | DATA BUS | | | | | | | | REMARKS |
| | | D7 | D6 | D5 | D4 | D3 | D2 | D1 | D0 | |
| Command | W | Invalid Codes | | | | | | | | Invalid Command Codes (NoOp - FDC goes into Stand- by State) ST0 = 80H |
| Result | R | ST0 | | | | | | | | |

| LOCK | | | | | | | | | | |
|---------|-----|----------|----|----|------|----|----|----|----|---------------|
| PHASE | R/W | DATA BUS | | | | | | | | REMARKS |
| | | D7 | D6 | D5 | D4 | D3 | D2 | D1 | D0 | |
| Command | W | LOCK | 0 | 0 | 1 | 0 | 1 | 0 | 0 | Command Codes |
| Result | R | 0 | 0 | 0 | LOCK | 0 | 0 | 0 | 0 | |

SC is returned if the last command that was issued was the Format command. EOT is returned if the last command was a Read or Write.

Note: These bits are used internally only. They are not reflected in the Drive Select pins. It is the user's responsibility to maintain correspondence between these bits and the Drive Select pins (DOR).

DATA TRANSFER COMMANDS

All of the Read Data, Write Data and Verify type commands use the same parameter bytes and return the same results information, the only difference being the coding of bits 0-4 in the first byte.

An implied seek will be executed if the feature was enabled by the Configure command. This seek is completely transparent to the user. The Drive Busy bit for the drive will go active in the Main Status Register during the seek portion of the command. If the seek portion fails, it is reflected in the results status normally returned for a Read/Write Data command. Status Register 0 (ST0) would contain the error code and C would contain the cylinder on which the seek failed.

Read Data

A set of nine (9) bytes is required to place the FDC in the Read Data Mode. After the Read Data command has been issued, the FDC loads the head (if it is in the unloaded state), waits the specified head settling time (defined in the Specify command), and begins reading ID Address Marks and ID fields. When the sector address read off the diskette matches with the sector address specified in the command, the FDC reads the sector's data field and transfers the data to the FIFO.

After completion of the read operation from the current sector, the sector address is incremented by one and the data from the next logical sector is read and output via the FIFO. This continuous read function is called "Multi-Sector Read Operation". Upon receipt of the TC cycle, or an implied TC (FIFO overrun/underrun), the FDC stops sending data but will continue to read data from the current sector, check the CRC bytes, and at the end of the sector, terminate the Read Data Command.

N determines the number of bytes per sector (see Table 18). If N is set to zero, the sector size is set to 128. The DTL value determines the number of bytes to be transferred. If DTL is less than 128, the FDC transfers the specified number of bytes to the host. For reads, it continues to read the entire 128-byte sector and checks for CRC errors. For writes, it completes the 128-byte sector by filling in zeros. If N is not set to 00 Hex, DTL should be set to FF Hex and has no impact on the number of bytes transferred.

Table 18 - Sector Sizes

| N | SECTOR SIZE |
|----------|--------------------|
| 00 | 128 bytes |
| 01 | 256 bytes |
| 02 | 512 bytes |
| 03 | 1024 bytes |
| .. | ... |
| 07 | 16 Kbytes |

The amount of data which can be handled with a single command to the FDC depends upon MT (multi-track) and N (number of bytes/sector).

The Multi-Track function (MT) allows the FDC to read data from both sides of the diskette. For a particular cylinder, data will be transferred starting at Sector 1, Side 0 and completing the last sector of the same track at Side 1.

If the host terminates a read or write operation in the FDC, the ID information in the result phase is dependent upon the state of the MT bit and EOT byte. Refer to Table 19.

At the completion of the Read Data command, the head is not unloaded until after the Head Unload Time Interval (specified in the Specify command) has elapsed. If the host issues another command before the head unloads, then the head settling time may be saved between subsequent reads.

If the FDC detects a pulse on the nINDEX pin twice without finding the specified sector (meaning that the diskette's index hole passes through index detect logic in the drive twice), the FDC sets the IC code in Status Register 0 to "01" indicating abnormal termination, sets the ND bit in Status Register 1 to "1" indicating a sector not found, and terminates the Read Data Command.

After reading the ID and Data Fields in each sector, the FDC checks the CRC bytes. If a CRC error occurs in the ID or data field, the FDC sets the IC code in Status Register 0 to "01" indicating abnormal termination, sets the DE bit flag in

Status Register 1 to "1", sets the DD bit in Status Register 2 to "1" if CRC is incorrect in the ID field, and terminates the Read Data Command. Table 20 describes the effect of the SK bit on the Read Data command execution and results. Except where noted in Table 20, the C or R value of the sector address is automatically incremented (see Table 22).

Table 19 - Effects of MT and N Bits

| MT | N | MAXIMUM TRANSFER CAPACITY | FINAL SECTOR READ FROM DISK |
|----|---|---------------------------|-----------------------------|
| 0 | 1 | 256 x 26 = 6,656 | 26 at side 0 or 1 |
| 1 | 1 | 256 x 52 = 13,312 | 26 at side 1 |
| 0 | 2 | 512 x 15 = 7,680 | 15 at side 0 or 1 |
| 1 | 2 | 512 x 30 = 15,360 | 15 at side 1 |
| 0 | 3 | 1024 x 8 = 8,192 | 8 at side 0 or 1 |
| 1 | 3 | 1024 x 16 = 16,384 | 16 at side 1 |

Table 20 - Skip Bit vs Read Data Command

| SK BIT VALUE | DATA ADDRESS MARK TYPE ENCOUNTERED | RESULTS | | |
|--------------|------------------------------------|--------------|--------------------|--|
| | | SECTOR READ? | CM BIT OF ST2 SET? | DESCRIPTION OF RESULTS |
| 0 | Normal Data | Yes | No | Normal termination. Address not incremented. Next sector not searched for. |
| 0 | Deleted Data | Yes | Yes | |
| 1 | Normal Data | Yes | No | Normal termination. |
| 1 | Deleted Data | No | Yes | Normal termination. Sector not read ("skipped"). |

Read Deleted Data

This command is the same as the Read Data command, only it operates on sectors that contain a Deleted Data Address Mark at the beginning of a Data Field.

Table 21 describes the effect of the SK bit on the Read Deleted Data command execution and results. Except where noted in Table 21, the C or R value of the sector address is automatically incremented (see Table 22).

Table 21 - Skip Bit vs. Read Deleted Data Command

| SK BIT VALUE | DATA ADDRESS MARK TYPE ENCOUNTERED | RESULTS | | |
|--------------|------------------------------------|--------------|--------------------|--|
| | | SECTOR READ? | CM BIT OF ST2 SET? | DESCRIPTION OF RESULTS |
| 0 | Normal Data | Yes | Yes | Address not incremented. Next sector not searched for. |
| 0 | Deleted Data | Yes | No | |
| 1 | Normal Data | No | Yes | Normal termination. |
| 1 | Deleted Data | Yes | No | Normal termination. Sector not read ("skipped"). |

Read A Track

This command is similar to the Read Data command except that the entire data field is read continuously from each of the sectors of a track. Immediately after encountering a pulse on the nINDEX pin, the FDC starts to read all data fields on the track as continuous blocks of data without regard to logical sector numbers. If the FDC finds an error in the ID or DATA CRC check bytes, it continues to read data from the track and sets the appropriate error bits at the end of the command. The FDC compares the ID information read from each sector with the specified value in the command and sets the ND flag of Status Register 1 to a "1" if there is no comparison. Multi-track or skip operations are not allowed with this command. The MT and SK bits (bits D7 and D5 of the first command byte respectively) should always be set to "0".

This command terminates when the EOT specified number of sectors has not been read. If the FDC does not find an ID Address Mark on the diskette after the second occurrence of a pulse on the INDEX pin, then it sets the IC code in Status Register 0 to "01" (abnormal termination), sets the MA bit in Status Register 1 to "1", and terminates the command.

Table 22 - Result Phase

| MT | HEAD | FINAL SECTOR TRANSFERRED TO HOST | ID INFORMATION AT RESULT PHASE | | | |
|----|------|--|--------------------------------|-----|-------|----|
| | | | C | H | R | N |
| 0 | 0 | Less than EOT | NC | NC | R + 1 | NC |
| | | Equal to EOT | C + 1 | NC | 01 | NC |
| | 1 | Less than EOT | NC | NC | R + 1 | NC |
| | | Equal to EOT | C + 1 | NC | 01 | NC |
| 1 | 0 | Less than EOT | NC | NC | R + 1 | NC |
| | | Equal to EOT | NC | LSB | 01 | NC |
| | 1 | Less than EOT | NC | NC | R + 1 | NC |
| | | Equal to EOT | C + 1 | LSB | 01 | NC |

NC: No Change, the same value as the one at the beginning of command execution.

LSB: Least Significant Bit, the LSB of H is complemented.

Write Data

After the Write Data command has been issued, the FDC loads the head (if it is in the unloaded state), waits the specified head load time if unloaded (defined in the Specify command), and begins reading ID fields. When the sector address read from the diskette matches the sector address specified in the command, the FDC reads the data from the host via the FIFO and writes it to the sector's data field.

After writing data into the current sector, the FDC computes the CRC value and writes it into the CRC field at the end of the sector transfer. The Sector Number stored in "R" is incremented by one, and the FDC continues writing to the next data field. The FDC continues this "Multi-Sector Write Operation". Upon receipt of a terminal count signal or if a FIFO over/under run occurs while a data field is being written, then the remainder of the data field is filled with zeros. The FDC reads the ID field of each sector and checks the CRC bytes. If it detects a CRC error in one of the ID fields, it sets the IC code in Status Register 0 to "01" (abnormal termination), sets the DE bit of Status Register 1 to "1", and terminates the Write Data command.

The Write Data command operates in much the same manner as the Read Data command. The following items are the same. Please refer to the Read Data Command for details:

- Transfer Capacity
- EN (End of Cylinder) bit
- ND (No Data) bit
- Head Load, Unload Time Interval
- ID information when the host terminates the command

Definition of DTL when N = 0 and when N does not = 0

Write Deleted Data

This command is almost the same as the Write Data command except that a Deleted Data Address Mark is written at the beginning of the Data Field instead of the normal Data Address Mark. This command is typically used to mark a bad sector containing an error on the floppy disk.

Verify

The Verify command is used to verify the data stored on a disk. This command acts exactly like a Read Data command except that no data is transferred to the host. Data is read from the disk and CRC is computed and checked against the previously-stored value.

Because data is not transferred to the host, the TC cycle cannot be used to terminate this command. By setting the EC bit to "1", an implicit TC will be issued to the FDC. This implicit TC will occur when the SC value has decremented to 0 (an SC value of 0 will verify 256 sectors). This command can also be terminated by setting the EC bit to "0" and the EOT value equal to the final sector to be checked. If EC is set to "0", DTL/SC should be programmed to 0FFH. Refer to Table 22 and Table 23 for information concerning the values of MT and EC versus SC and EOT value.

Definitions:

Sectors Per Side = Number of formatted sectors per each side of the disk.

Sectors Remaining = Number of formatted sectors left which can be read, including side 1 of the disk if MT is set to "1".

Table 23 - Verify Command Result Phase

| MT | EC | SC/EOT VALUE | TERMINATION RESULT |
|----|----|--|--|
| 0 | 0 | SC = DTL EOT ≤ # Sectors Per Side | Successful Termination Result Phase Valid |
| 0 | 0 | SC = DTL EOT > # Sectors Per Side | Unsuccessful Termination Result Phase Invalid |
| 0 | 1 | SC ≤ # Sectors Remaining AND EOT ≤ # Sectors Per Side | Successful Termination Result Phase Valid |
| 0 | 1 | SC > # Sectors Remaining OR EOT > # Sectors Per Side | Unsuccessful Termination Result Phase Invalid |
| 1 | 0 | SC = DTL EOT ≤ # Sectors Per Side | Successful Termination Result Phase Valid |
| 1 | 0 | SC = DTL EOT > # Sectors Per Side | Unsuccessful Termination Result Phase Invalid |
| 1 | 1 | SC ≤ # Sectors Remaining AND EOT ≤ # Sectors Per Side | Successful Termination Result Phase Valid |
| 1 | 1 | SC > # Sectors Remaining OR EOT > # Sectors Per Side | Unsuccessful Termination Result Phase Invalid |

Note: If MT is set to "1" and the SC value is greater than the number of remaining formatted sectors on Side 0, verifying will continue on Side 1 of the disk.

Format A Track

The Format command allows an entire track to be formatted. After a pulse from the nINDEX pin is detected, the FDC starts writing data on the disk including gaps, address marks, ID fields, and data fields per the IBM System 34 or 3740 format (MFM or FM respectively). The particular values that will be written to the gap and data field are controlled by the values programmed into N, SC, GPL, and D which are specified by the host during the command phase. The data field of the sector is filled with the data byte specified by D. The ID field for each sector is supplied by the host; that is, four data bytes per sector are needed by the FDC for C, H, R, and N (cylinder, head, sector number and sector size respectively).

After formatting each sector, the host must send new values for C, H, R and N to the FDC for the next sector on the track. The R value (sector number) is the only value that must be changed by the host after each sector is formatted. This allows the disk to be formatted with nonsequential sector addresses (interleaving). This incrementing and formatting continues for the whole track until the FDC encounters a pulse on the nINDEX pin again and it terminates the command.

Table 24 contains typical values for gap fields which are dependent upon the size of the sector and the number of sectors on each track. Actual values can vary due to drive electronics.

FORMAT FIELDS

SYSTEM 34 (DOUBLE DENSITY) FORMAT

| | | | | | | | | | | | | | | | | | | | | |
|--------------------|-------------------|----------|----|-------------------|-------------------|----------|----|-------------|--------|-------------|--------|-------------|-------------------|-------------------|------------|----------|------|-------------|------|--------|
| GAP4a 80x 4E | SYNC 12x 00 | IAM | | GAP1 50x 4E | SYNC 12x 00 | IDAM | | C Y L | H D | S E C | N O | C R C | GAP2 22x 4E | SYNC 12x 00 | DATA AM | | DATA | C R C | GAP3 | GAP 4b |
| | | 3x C2 | FC | | | 3x A1 | FE | | | | | | | | 3x A1 | FB F8 | | | | |

SYSTEM 3740 (SINGLE DENSITY) FORMAT

| | | | | | | | | | | | | | | | | | | | | |
|--------------------|------------------|-----|--|-------------------|------------------|------|--|-------------|--------|-------------|--------|-------------|-------------------|------------------|-------------|--|------|-------------|------|--------|
| GAP4a 40x FF | SYNC 6x 00 | IAM | | GAP1 26x FF | SYNC 6x 00 | IDAM | | C Y L | H D | S E C | N O | C R C | GAP2 11x FF | SYNC 6x 00 | DATA AM | | DATA | C R C | GAP3 | GAP 4b |
| | | FC | | | | FE | | | | | | | | | FB or F8 | | | | | |

PERPENDICULAR FORMAT

| | | | | | | | | | | | | | | | | | | | | |
|--------------------|-------------------|----------|----|-------------------|-------------------|----------|----|-------------|--------|-------------|--------|-------------|-------------------|-------------------|------------|----------|------|-------------|------|--------|
| GAP4a 80x 4E | SYNC 12x 00 | IAM | | GAP1 50x 4E | SYNC 12x 00 | IDAM | | C Y L | H D | S E C | N O | C R C | GAP2 41x 4E | SYNC 12x 00 | DATA AM | | DATA | C R C | GAP3 | GAP 4b |
| | | 3x C2 | FC | | | 3x A1 | FE | | | | | | | | 3x A1 | FB F8 | | | | |

Table 24 - Typical Values for Formatting

| | FORMAT | SECTOR SIZE | N | SC | GPL1 | GPL2 |
|-------------------------|--------|-------------|-----|-----|------|------|
| 5.25" Drives | FM | 128 | 00 | 12 | 07 | 09 |
| | | 128 | 00 | 10 | 10 | 19 |
| | | 512 | 02 | 08 | 18 | 30 |
| | | 1024 | 03 | 04 | 46 | 87 |
| | | 2048 | 04 | 02 | C8 | FF |
| | | 4096 | 05 | 01 | C8 | FF |
| | ... | ... | ... | ... | ... | ... |
| | MFM | 256 | 01 | 12 | 0A | 0C |
| | | 256 | 01 | 10 | 20 | 32 |
| | | 512* | 02 | 09 | 2A | 50 |
| | | 1024 | 03 | 04 | 80 | F0 |
| | | 2048 | 04 | 02 | C8 | FF |
| 4096 | | 05 | 01 | C8 | FF | |
| ... | ... | ... | ... | ... | ... | |
| 3.5" Drives | FM | 128 | 0 | 0F | 07 | 1B |
| | | 256 | 1 | 09 | 0F | 2A |
| | | 512 | 2 | 05 | 1B | 3A |
| | MFM | 256 | 1 | 0F | 0E | 36 |
| | | 512** | 2 | 09 | 1B | 54 |
| | | 1024 | 3 | 05 | 35 | 74 |

GPL1 = suggested GPL values in Read and Write commands to avoid splice point between data field and ID field of contiguous sections.

GPL2 = suggested GPL value in Format A Track command.

*PC/AT values (typical)

**PS/2 values (typical). Applies with 1.0 MB and 2.0 MB drives.

NOTE: All values except sector size are in hex.

CONTROL COMMANDS

Control commands differ from the other commands in that no data transfer takes place. Three commands generate an interrupt when complete: Read ID, Recalibrate, and Seek. The other control commands do not generate an interrupt.

Read ID

The Read ID command is used to find the present position of the recording heads. The FDC stores the values from the first ID field it is able to read into its registers. If the FDC does not find an ID address mark on the diskette after the

second occurrence of a pulse on the nINDEX pin, it then sets the IC code in Status Register 0 to "01" (abnormal termination), sets the MA bit in Status Register 1 to "1", and terminates the command. The following commands will generate an interrupt upon completion. They do not return any result bytes. It is highly recommended that control commands be followed by the Sense Interrupt Status command. Otherwise, valuable interrupt status information will be lost.

Recalibrate

This command causes the read/write head within the FDC to retract to the track 0 position. The FDC clears the contents of the PCN counter and checks the status of the nTRK0 pin from the FDD. As long as the nTRK0 pin is low, the DIR pin remains 0 and step pulses are issued. When the nTRK0 pin goes high, the SE bit in Status Register 0 is set to "1" and the command is terminated. If the nTRK0 pin is still low after 79 step pulses have been issued, the FDC sets the SE and the EC bits of Status Register 0 to "1" and terminates the command. Disks capable of handling more than 80 tracks per side may require more than one Recalibrate command to return the head back to physical Track 0.

The Recalibrate command does not have a result phase. The Sense Interrupt Status command must be issued after the Recalibrate command to effectively terminate it and to provide verification of the head position (PCN). During the command phase of the recalibrate operation, the FDC is in the BUSY state, but during the execution phase it is in a NON-BUSY state. At this time, another Recalibrate command may be issued, and in this manner parallel Recalibrate operations may be done on up to four drives at once. Upon power up, the software must issue a Recalibrate command to properly initialize all drives and the controller.

Seek

The read/write head within the drive is moved from track to track under the control of the Seek command. The FDC compares the PCN, which is the current head position, with the NCN and performs the following operation if there is a difference:

PCN < NCN: Direction signal to drive set to "1" (step in) and issues step pulses.
PCN > NCN: Direction signal to drive set to "0" (step out) and issues step pulses.

The rate at which step pulses are issued is controlled by SRT (Stepping Rate Time) in the Specify command. After each step pulse is issued, NCN is compared against PCN, and when NCN = PCN the SE bit in Status Register 0 is set to "1" and the command is terminated. During the command phase of the seek or recalibrate operation, the FDC is in the BUSY state, but during the execution phase it is in the NON-BUSY state. At this time, another Seek or Recalibrate command may be issued, and in this manner, parallel seek operations may be done on up to four drives at once.

Note that if implied seek is not enabled, the read and write commands should be preceded by:

- 1) Seek command - Step to the proper track
- 2) Sense Interrupt Status command - Terminate the Seek command
- 3) Read ID - Verify head is on proper track
- 4) Issue Read/Write command.

The Seek command does not have a result phase. Therefore, it is highly recommended that the Sense Interrupt Status command is issued after the Seek command to terminate it and to provide verification of the head position (PCN). The H bit (Head Address) in ST0 will always return to a "0". When exiting POWERDOWN mode, the FDC clears the PCN value and the status information to zero. Prior to issuing the POWERDOWN command, it is highly recommended that the user service all pending interrupts through the Sense Interrupt Status command.

Sense Interrupt Status

An interrupt signal is generated by the FDC for one of the following reasons:

1. Upon entering the Result Phase of:
 - a. Read Data command
 - b. Read A Track command
 - c. Read ID command
 - d. Read Deleted Data command
 - e. Write Data command
 - f. Format A Track command
 - g. Write Deleted Data command
 - h. Verify command

2. End of Seek, Relative Seek, or Recalibrate command
3. FDC requires a data transfer during the execution phase in the non-DMA mode

The Sense Interrupt Status command resets the interrupt signal and, via the IC code and SE bit of Status Register 0, identifies the cause of the interrupt.

Table 25 - Interrupt Identification

| SE | IC | INTERRUPT DUE TO |
|----|----|---|
| 0 | 11 | Polling |
| 1 | 00 | Normal termination of Seek or Recalibrate command |
| 1 | 01 | Abnormal termination of Seek or Recalibrate command |

The Seek, Relative Seek, and Recalibrate commands have no result phase. The Sense Interrupt Status command must be issued immediately after these commands to terminate them and to provide verification of the head position (PCN). The H (Head Address) bit in ST0 will always return a "0". If a Sense Interrupt Status is not issued, the drive will continue to be BUSY and may affect the operation of the next command.

Sense Drive Status

Sense Drive Status obtains drive status information. It has no execution phase and goes directly to the result phase from the command phase. Status Register 3 contains the drive status information.

Specify

The Specify command sets the initial values for each of the three internal times. The HUT (Head Unload Time) defines the time from the end of the execution phase of one of the read/write commands to the head unload state. The SRT (Step Rate Time) defines the time interval between adjacent step pulses. Note that the spacing between the first and second step pulses may be shorter than the remaining step pulses. The HLT (Head Load Time) defines the time between when the Head Load signal goes high and the read/write operation starts. The values change with the data rate speed selection and are documented in Table 26. The values are the same for MFM and FM.

The choice of DMA or non-DMA operations is made by the ND bit. When this bit is "1", the non-DMA mode is selected, and when ND is "0", the DMA mode is selected. In DMA mode, data transfers are signaled by the DMA request cycles. Non-DMA mode uses the RQM bit and the interrupt to signal data transfers.

Configure

The Configure command is issued to select the special features of the FDC. A Configure command need not be issued if the default values of the FDC meet the system requirements.

Table 26 - Drive Control Delays (ms)

| | HUT | | | | | SRT | | | | |
|----|-----|-----|------|------|------|------|-----|------|------|------|
| | 2M | 1M | 500K | 300K | 250K | 2M | 1M | 500K | 300K | 250K |
| 0 | 64 | 128 | 256 | 426 | 512 | 4 | 8 | 16 | 26.7 | 32 |
| 1 | 4 | 8 | 16 | 26.7 | 32 | 3.75 | 7.5 | 15 | 25 | 30 |
| .. | .. | .. | .. | .. | .. | .. | .. | .. | .. | .. |
| E | 56 | 112 | 224 | 373 | 448 | 0.5 | 1 | 2 | 3.33 | 4 |
| F | 60 | 120 | 240 | 400 | 480 | 0.25 | 0.5 | 1 | 1.67 | 2 |

| | HLT | | | | |
|----|------|-----|------|------|------|
| | 2M | 1M | 500K | 300K | 250K |
| 00 | 64 | 128 | 256 | 426 | 512 |
| 01 | 0.5 | 1 | 2 | 3.3 | 4 |
| 02 | 1 | 2 | 4 | 6.7 | 8 |
| .. | .. | .. | .. | .. | .. |
| 7F | 63 | 126 | 252 | 420 | 504 |
| 7F | 63.5 | 127 | 254 | 423 | 508 |

Configure Default Values:

EIS - No Implied Seeks
EFIFO - FIFO Disabled
POLL - Polling Enabled
FIFOTHR - FIFO Threshold Set to 1 Byte
PRETRK - Pre-Compensation Set to Track 0

EIS - Enable Implied Seek. When set to "1", the FDC will perform a Seek operation before executing a read or write command. Defaults to no implied seek.

EFIFO - A "1" disables the FIFO (default). This means data transfers are asked for on a byte-by-byte basis. Defaults to "1", FIFO disabled. The threshold defaults to "1".

POLL - Disable polling of the drives. Defaults to "0", polling enabled. When enabled, a single interrupt is generated after a reset. No polling is performed while the drive head is loaded and the head unload delay has not expired.

FIFOTHR - The FIFO threshold in the execution phase of read or write commands. This is programmable from 1 to 16 bytes. Defaults to one byte. A "00" selects one byte; "0F" selects 16 bytes.

PRETRK - Pre-Compensation Start Track Number. Programmable from track 0 to 255. Defaults to track 0. A "00" selects track 0; "FF" selects track 255.

Version

The Version command checks to see if the controller is an enhanced type or the older type (765A). A value of 90 H is returned as the result byte.

Relative Seek

The command is coded the same as for Seek, except for the MSB of the first byte and the DIR bit.

DIR Head Step Direction Control

RCN Relative Cylinder Number that determines how many tracks to step the head in or out from the current track number.

| DIR | ACTION |
|-----|---------------|
| 0 | Step Head Out |
| 1 | Step Head In |

The Relative Seek command differs from the Seek command in that it steps the head the absolute number of tracks specified in the command instead of making a comparison against an internal register. The Seek command is good for drives that support a maximum of 256 tracks. Relative Seeks cannot be overlapped with other Relative Seeks. Only one Relative Seek can be active at a time. Relative Seeks may be overlapped with Seeks and Recalibrates. Bit 4 of Status Register 0 (EC) will be set if Relative Seek attempts to step outward beyond Track 0.

As an example, assume that a floppy drive has 300 useable tracks. The host needs to read track 300 and the head is on any track (0-255). If a Seek command is issued, the head will stop at track 255. If a Relative Seek command is issued, the FDC will move the head the specified number of tracks, regardless of the internal cylinder position register (but will increment the register). If the head was on track 40 (d), the maximum track that the FDC could position the head on using Relative Seek will be 295 (D), the initial track + 255 (D). The maximum count that the head can be moved with a single Relative Seek command is 255 (D).

The internal register, PCN, will overflow as the cylinder number crosses track 255 and will contain 39 (D). The resulting PCN value is thus (RCN + PCN) mod 256. Functionally, the FDC starts counting from 0 again as the track number goes above 255 (D). It is the user's responsibility to compensate FDC functions (precompensation track number) when accessing tracks greater than 255. The FDC does not keep track that it is working in an "extended track area" (greater than 255).

Any command issued will use the current PCN value except for the Recalibrate command, which only looks for the TRACK0 signal. Recalibrate will return an error if the head is farther than 79 due to its limitation of issuing a maximum of 80 step pulses. The user simply needs to issue a second Recalibrate command. The Seek command and implied seeks will function correctly within the 44 (D) track (299-255) area of the "extended track area". It is the user's responsibility not to issue a new track position that will exceed the maximum track that is present in the extended area.

To return to the standard floppy range (0-255) of tracks, a Relative Seek should be issued to cross the track 255 boundary.

A Relative Seek can be used instead of the normal Seek, but the host is required to calculate the difference between the current head location and the new (target) head location. This may require the host to issue a Read ID command to ensure that the head is physically on the track that software assumes it to be. Different FDC commands will return different cylinder results which may be difficult to keep track of with software without the Read ID command.

Perpendicular Mode

The Perpendicular Mode command should be issued prior to executing Read/Write/Format commands that access a disk drive with perpendicular recording capability. With this command, the length of the Gap2 field and VCO enable timing can be altered to accommodate the unique requirements of these drives. Table 27 describes the effects of the WGATE and GAP bits for the Perpendicular Mode command. Upon a reset, the FDC will default to the conventional mode (WGATE = 0, GAP = 0).

Selection of the 500 Kbps and 1 Mbps perpendicular modes is independent of the actual data rate selected in the Data Rate Select Register. The user must ensure that these two data rates remain consistent.

The Gap2 and VCO timing requirements for perpendicular recording type drives are dictated by the design of the read/write head. In the design of this head, a pre-erase head precedes the normal read/write head by a distance of 200 micrometers. This works out to about 38 bytes at a 1 Mbps recording density. Whenever the write head is enabled by the Write Gate signal, the pre-erase head is also activated at the same time. Thus, when the write head is initially turned on, flux transitions recorded on the media for the first 38 bytes will not be preconditioned with the pre-erase head since it has not yet been activated. To accommodate this head activation and deactivation time, the Gap2 field is expanded to a length of 41 bytes. The format field shown on Page 58 illustrates the change in the Gap2 field size for the perpendicular format.

On the read back by the FDC, the controller must begin synchronization at the beginning of the sync field. For the conventional mode, the internal PLL VCO is enabled (VCOEN) approximately 24 bytes from the start of the Gap2 field. But, when the controller operates in the 1 Mbps perpendicular mode (WGATE = 1, GAP = 1), VCOEN goes active after 43 bytes to accommodate the increased Gap2 field size. For both cases, an approximate two-byte cushion is maintained from the beginning of the sync field for the purposes of avoiding write splices in the presence of motor speed variation.

For the Write Data case, the FDC activates Write Gate at the beginning of the sync field under the conventional mode. The controller then writes a new sync field, data address mark, data field, and CRC. With the pre-erase head of the perpendicular drive, the write head must be activated in the Gap2 field to insure a proper write of the new sync field. For the 1 Mbps perpendicular mode (WGATE = 1, GAP = 1), 38 bytes will be written in the Gap2 space. Since the bit density is proportional to the data rate, 19 bytes will be written in the Gap2 field for the 500 Kbps perpendicular mode (WGATE = 1, GAP = 0).

It should be noted that none of the alterations in Gap2 size, VCO timing, or Write Gate timing affect normal program flow. The information provided here is just for background purposes and is not needed for normal operation. Once the Perpendicular Mode command is invoked, FDC software behavior from the user standpoint is unchanged.

The perpendicular mode command is enhanced to allow specific drives to be designated Perpendicular recording drives. This enhancement allows data transfers between Conventional and Perpendicular drives without having to issue Perpendicular mode commands between the accesses of the different drive types, nor having to change write pre-compensation values.

When both GAP and WGATE bits of the PERPENDICULAR MODE COMMAND are both programmed to "0" (Conventional mode), then D0, D1, D2, D3, and D4 can be programmed independently to "1" for that drive to be set automatically to Perpendicular mode. In this mode the following set of conditions also apply:

1. The GAP2 written to a perpendicular drive during a write operation will depend upon the programmed data rate.

2. The write pre-compensation given to a perpendicular mode drive will be 0ns.
3. For D0-D3 programmed to "0" for conventional mode drives any data written will be at the currently programmed write pre-compensation.

Note: Bits D0-D3 can only be overwritten when OW is programmed as a "1". If either GAP or WGATE is a "1" then D0-D3 are ignored.

Software and hardware resets have the following effect on the PERPENDICULAR MODE COMMAND:

1. "Software" resets (via the DOR or DSR registers) will only clear GAP and WGATE bits to "0". D0-D3 are unaffected and retain their previous value.
2. "Hardware" resets will clear all bits (GAP, WGATE and D0-D3) to "0", i.e all conventional mode.

Table 27 - Effects of WGATE and GAP Bits

| WGATE | GAP | MODE | LENGTH OF GAP2 FORMAT FIELD | PORTION OF GAP 2 WRITTEN BY WRITE DATA OPERATION |
|-------|-----|--------------------------|-----------------------------|--|
| 0 | 0 | Conventional | 22 Bytes | 0 Bytes |
| 0 | 1 | Perpendicular (500 Kbps) | 22 Bytes | 19 Bytes |
| 1 | 0 | Reserved (Conventional) | 22 Bytes | 0 Bytes |
| 1 | 1 | Perpendicular (1 Mbps) | 41 Bytes | 38 Bytes |

LOCK

In order to protect systems with long DMA latencies against older application software that can disable the FIFO the LOCK Command has been added. This command should only be used by the FDC routines, and application software should refrain from using it. If an application calls for the FIFO to be disabled then the CONFIGURE command should be used.

The LOCK command defines whether the EFIFO, FIFOTHR, and PRETRK parameters of the CONFIGURE command can be RESET by the DOR and DSR registers. When the LOCK bit is set to logic "1" all subsequent "software RESETS" by the DOR and DSR registers will not change the previously set parameters to their default values. All "hardware" RESET from the nPCI_RESET pin will set the LOCK bit to logic "0" and return the EFIFO, FIFOTHR, and PRETRK to their default values. A status byte is returned immediately after issuing a LOCK command. This byte reflects the value of the LOCK bit set by the command byte.

ENHANCED DUMPREG

The DUMPREG command is designed to support system run-time diagnostics and application software development and debug. To accommodate the LOCK command and the enhanced PERPENDICULAR MODE command the eighth byte of the DUMPREG command has been modified to contain the additional data from these two commands.

COMPATIBILITY

The LPC47M10x was designed with software compatibility in mind. It is a fully backwards-compatible solution with the older generation 765A/B disk controllers. The FDC also implements on-board registers for compatibility with the PS/2, as well as PC/AT and PC/XT, floppy disk controller subsystems. After a hardware reset of the FDC, all registers, functions and enhancements default to a PC/AT, PS/2 or PS/2 Model 30 compatible operating mode, depending on how the IDENT and MFM bits are configured by the system BIOS.

SERIAL PORT (UART)

The LPC47M10x incorporates two full function UARTs. They are compatible with the NS16450, the 16450 ACE registers and the NS16C550A. The UARTS perform serial-to-parallel conversion on received characters and parallel-to-serial conversion on transmit characters. The data rates are independently programmable from 460.8K baud down to 50 baud. The character options are programmable for 1 start; 1, 1.5 or 2 stop bits; even, odd, sticky or no parity; and prioritized interrupts. The UARTs each contain a programmable baud rate generator that is capable of dividing the input clock or crystal by a number from 1 to 65535. The UARTs are also capable of supporting the MIDI data rate. Refer to the Configuration Registers for information on disabling, power down and changing the base address of the UARTs. The interrupt from a UART is enabled by programming OUT2 of that UART to a logic "1". OUT2 being a logic "0" disables that UART's interrupt. The second UART also supports IrDA, HP-SIR and ASK-IR modes of operation.

Note: The UARTs 1 and 2 may be configured to share an interrupt. Refer to the Configuration section for more information.

REGISTER DESCRIPTION

Addressing of the accessible registers of the Serial Port is shown below. The base addresses of the serial ports are defined by the configuration registers (see Configuration section). The Serial Port registers are located at sequentially increasing addresses above these base addresses. The LPC47M10x contains two serial ports, each of which contain a register set as described below.

Table 28 - Addressing the Serial Port

| DLAB* | A2 | A1 | A0 | REGISTER NAME |
|-------|----|----|----|---------------------------------|
| 0 | 0 | 0 | 0 | Receive Buffer (read) |
| 0 | 0 | 0 | 0 | Transmit Buffer (write) |
| 0 | 0 | 0 | 1 | Interrupt Enable (read/write) |
| X | 0 | 1 | 0 | Interrupt Identification (read) |
| X | 0 | 1 | 0 | FIFO Control (write) |
| X | 0 | 1 | 1 | Line Control (read/write) |
| X | 1 | 0 | 0 | Modem Control (read/write) |
| X | 1 | 0 | 1 | Line Status (read/write) |
| X | 1 | 1 | 0 | Modem Status (read/write) |
| X | 1 | 1 | 1 | Scratchpad (read/write) |
| 1 | 0 | 0 | 0 | Divisor LSB (read/write) |
| 1 | 0 | 0 | 1 | Divisor MSB (read/write) |

*Note: DLAB is Bit 7 of the Line Control Register

The following section describes the operation of the registers.

RECEIVE BUFFER REGISTER (RB)

Address Offset = 0H, DLAB = 0, READ ONLY

This register holds the received incoming data byte. Bit 0 is the least significant bit, which is transmitted and received first. Received data is double buffered; this uses an additional shift register to receive the serial data stream and convert it to a parallel 8 bit word which is transferred to the Receive Buffer register. The shift register is not accessible.

TRANSMIT BUFFER REGISTER (TB)

Address Offset = 0H, DLAB = 0, WRITE ONLY

This register contains the data byte to be transmitted. The transmit buffer is double buffered, utilizing an additional shift register (not accessible) to convert the 8 bit data word to a serial format. This shift register is loaded from the Transmit Buffer when the transmission of the previous byte is complete.

INTERRUPT ENABLE REGISTER (IER)

Address Offset = 1H, DLAB = 0, READ/WRITE

The lower four bits of this register control the enables of the five interrupt sources of the Serial Port interrupt. It is possible to totally disable the interrupt system by resetting bits 0 through 3 of this register. Similarly, setting the

appropriate bits of this register to a high, selected interrupts can be enabled. Disabling the interrupt system inhibits the Interrupt Identification Register and disables any Serial Port interrupt out of the LPC47M10x. All other system functions operate in their normal manner, including the Line Status and MODEM Status Registers. The contents of the Interrupt Enable Register are described below.

Bit 0

This bit enables the Received Data Available Interrupt (and timeout interrupts in the FIFO mode) when set to logic "1".

Bit 1

This bit enables the Transmitter Holding Register Empty Interrupt when set to logic "1".

Bit 2

This bit enables the Received Line Status Interrupt when set to logic "1". The error sources causing the interrupt are Overrun, Parity, Framing and Break. The Line Status Register must be read to determine the source.

Bit 3

This bit enables the MODEM Status Interrupt when set to logic "1". This is caused when one of the Modem Status Register bits changes state.

Bits 4 through 7

These bits are always logic "0".

FIFO CONTROL REGISTER (FCR)

Address Offset = 2H, DLAB = X, WRITE

This is a write only register at the same location as the IIR. This register is used to enable and clear the FIFOs, set the RCVR FIFO trigger level. Note: DMA is not supported. The UART1 and UART2 FCR's are shadowed in the UART1 FIFO Control Shadow Register (runtime register at offset 0x20) and UART2 FIFO Control Shadow Register (runtime register at offset 0x21).

Bit 0

Setting this bit to a logic "1" enables both the XMIT and RCVR FIFOs. Clearing this bit to a logic "0" disables both the XMIT and RCVR FIFOs and clears all bytes from both FIFOs. When changing from FIFO Mode to non-FIFO (16450) mode, data is automatically cleared from the FIFOs. This bit must be a 1 when other bits in this register are written to or they will not be properly programmed.

Bit 1

Setting this bit to a logic "1" clears all bytes in the RCVR FIFO and resets its counter logic to 0. The shift register is not cleared. This bit is self-clearing.

Bit 2

Setting this bit to a logic "1" clears all bytes in the XMIT FIFO and resets its counter logic to 0. The shift register is not cleared. This bit is self-clearing.

Bit 3

Writing to this bit has no effect on the operation of the UART. The RXRDY and TXRDY pins are not available on this chip.

Bit 4,5

Reserved

Bit 6,7

These bits are used to set the trigger level for the RCVR FIFO interrupt.

INTERRUPT IDENTIFICATION REGISTER (IIR)

Address Offset = 2H, DLAB = X, READ

By accessing this register, the host CPU can determine the highest priority interrupt and its source. Four levels of priority interrupt exist. They are in descending order of priority:

1. Receiver Line Status (highest priority)
2. Received Data Ready

- 3. Transmitter Holding Register Empty
- 4. MODEM Status (lowest priority)

Information indicating that a prioritized interrupt is pending and the source of that interrupt is stored in the Interrupt Identification Register (refer to Interrupt Control Table). When the CPU accesses the IIR, the Serial Port freezes all interrupts and indicates the highest priority pending interrupt to the CPU. During this CPU access, even if the Serial Port records new interrupts, the current indication does not change until access is completed. The contents of the IIR are described below.

Bit 0

This bit can be used in either a hardwired prioritized or polled environment to indicate whether an interrupt is pending. When bit 0 is a logic "0", an interrupt is pending and the contents of the IIR may be used as a pointer to the appropriate internal service routine. When bit 0 is a logic "1", no interrupt is pending.

Bits 1 and 2

These two bits of the IIR are used to identify the highest priority interrupt pending as indicated by the Interrupt Control Table.

Bit 3

In non-FIFO mode, this bit is a logic "0". In FIFO mode this bit is set along with bit 2 when a timeout interrupt is pending.

Bits 4 and 5

These bits of the IIR are always logic "0".

Bits 6 and 7

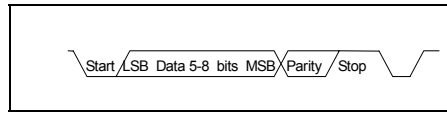
These two bits are set when the FIFO CONTROL Register bit 0 equals 1.

| Bit 7 | Bit 6 | RCVR FIFO Trigger Level (BYTES) |
|-------|-------|------------------------------------|
| 0 | 0 | 1 |
| 0 | 1 | 4 |
| 1 | 0 | 8 |
| 1 | 1 | 14 |

Table 29 - Interrupt Control

| FIFO MODE ONLY | INTERRUPT IDENTIFICATION REGISTER | | | INTERRUPT SET AND RESET FUNCTIONS | | | |
|----------------|-----------------------------------|-------|-------|-----------------------------------|------------------------------------|---|---|
| | BIT 3 | BIT 2 | BIT 1 | BIT 0 | PRIORITY LEVEL | INTERRUPT TYPE | INTERRUPT SOURCE |
| 0 | 0 | 0 | 1 | - | None | None | - |
| 0 | 1 | 1 | 0 | Highest | Receiver Line Status | Overrun Error, Parity Error, Framing Error or Break Interrupt | Reading the Line Status Register |
| 0 | 1 | 0 | 0 | Second | Received Data Available | Receiver Data Available | Read Receiver Buffer or the FIFO drops below the trigger level. |
| 1 | 1 | 0 | 0 | Second | Character Timeout Indication | No Characters Have Been Removed From or Input to the RCVR FIFO during the last 4 Char times and there is at least 1 char in it during this time | Reading the Receiver Buffer Register |
| 0 | 0 | 1 | 0 | Third | Transmitter Holding Register Empty | Transmitter Holding Register Empty | Reading the IIR Register (if Source of Interrupt) or Writing the Transmitter Holding Register |
| 0 | 0 | 0 | 0 | Fourth | MODEM Status | Clear to Send or Data Set Ready or Ring Indicator or Data Carrier Detect | Reading the MODEM Status Register |

LINE CONTROL REGISTER (LCR)
Address Offset = 3H, DLAB = 0, READ/WRITE



Serial Data

This register contains the format information of the serial line. The bit definitions are:

Bits 0 and 1

These two bits specify the number of bits in each transmitted or received serial character. The encoding of bits 0 and 1 is as follows:

The Start, Stop and Parity bits are not included in the word length.

| BIT 1 | BIT 0 | WORD LENGTH |
|-------|-------|-------------|
| 0 | 0 | 5 Bits |
| 0 | 1 | 6 Bits |
| 1 | 0 | 7 Bits |
| 1 | 1 | 8 Bits |

Bit 2

This bit specifies the number of stop bits in each transmitted or received serial character. The following table summarizes the information.

| BIT 2 | WORD LENGTH | NUMBER OF STOP BITS |
|-------|-------------|---------------------|
| 0 | - | 1 |
| 1 | 5 Bits | 1.5 |
| 1 | 6 Bits | 2 |
| 1 | 7 Bits | 2 |
| 1 | 8 Bits | 2 |

Note: The receiver will ignore all stop bits beyond the first, regardless of the number used in transmitting.

Bit 3

Parity Enable bit. When bit 3 is a logic "1", a parity bit is generated (transmit data) or checked (receive data) between the last data word bit and the first stop bit of the serial data. (The parity bit is used to generate an even or odd number of 1s when the data word bits and the parity bit are summed).

Bit 4

Even Parity Select bit. When bit 3 is a logic "1" and bit 4 is a logic "0", an odd number of logic "1"s is transmitted or checked in the data word bits and the parity bit. When bit 3 is a logic "1" and bit 4 is a logic "1" an even number of bits is transmitted and checked.

Bit 5

Stick Parity bit. When parity is enabled it is used in conjunction with bit 4 to select Mark or Space Parity. When LCR bits 3, 4 and 5 are 1 the Parity bit is transmitted and checked as a 0 (Space Parity). If bits 3 and 5 are 1 and bit 4 is a 0, then the Parity bit is transmitted and checked as 1 (Mark Parity). If bit 5 is 0 Stick Parity is disabled.

Bit 6

Set Break Control bit. When bit 6 is a logic "1", the transmit data output (TXD) is forced to the Spacing or logic "0" state and remains there (until reset by a low level bit 6) regardless of other transmitter activity. This feature enables the Serial Port to alert a terminal in a communications system.

Bit 7

Divisor Latch Access bit (DLAB). It must be set high (logic "1") to access the Divisor Latches of the Baud Rate Generator during read or write operations. It must be set low (logic "0") to access the Receiver Buffer Register, the Transmitter Holding Register, or the Interrupt Enable Register.

MODEM CONTROL REGISTER (MCR)

Address Offset = 4H, DLAB = X, READ/WRITE

This 8 bit register controls the interface with the MODEM or data set (or device emulating a MODEM). The contents of the MODEM control register are described below.

Bit 0

This bit controls the Data Terminal Ready (nDTR) output. When bit 0 is set to a logic "1", the nDTR output is forced to a logic "0". When bit 0 is a logic "0", the nDTR output is forced to a logic "1".

Bit 1

This bit controls the Request To Send (nRTS) output. Bit 1 affects the nRTS output in a manner identical to that described above for bit 0.

Bit 2

This bit controls the Output 1 (OUT1) bit. This bit does not have an output pin and can only be read or written by the CPU.

Bit 3

Output 2 (OUT2). This bit is used to enable an UART interrupt. When OUT2 is a logic "0", the serial port interrupt output is forced to a high impedance state - disabled. When OUT2 is a logic "1", the serial port interrupt outputs are enabled.

Bit 4

This bit provides the loopback feature for diagnostic testing of the Serial Port. When bit 4 is set to logic "1", the following occur:

1. The TXD is set to the Marking State(logic "1").
2. The receiver Serial Input (RXD) is disconnected.
3. The output of the Transmitter Shift Register is "looped back" into the Receiver Shift Register input.
4. All MODEM Control inputs (nCTS, nDSR, nRI and nDCD) are disconnected.
5. The four MODEM Control outputs (nDTR, nRTS, OUT1 and OUT2) are internally connected to the four MODEM Control inputs (nDSR, nCTS, RI, DCD).
6. The Modem Control output pins are forced inactive high.
7. Data that is transmitted is immediately received.

This feature allows the processor to verify the transmit and receive data paths of the Serial Port. In the diagnostic mode, the receiver and the transmitter interrupts are fully operational. The MODEM Control Interrupts are also operational but the interrupts' sources are now the lower four bits of the MODEM Control Register instead of the MODEM Control inputs. The interrupts are still controlled by the Interrupt Enable Register.

Bits 5 through 7

These bits are permanently set to logic zero.

LINE STATUS REGISTER (LSR)

Address Offset = 5H, DLAB = X, READ/WRITE

Bit 0

Data Ready (DR). It is set to a logic "1" whenever a complete incoming character has been received and transferred into the Receiver Buffer Register or the FIFO. Bit 0 is reset to a logic "0" by reading all of the data in the Receive Buffer Register or the FIFO.

Bit 1

Overrun Error (OE). Bit 1 indicates that data in the Receiver Buffer Register was not read before the next character was transferred into the register, thereby destroying the previous character. In FIFO mode, an overrun error will occur only when the FIFO is full and the next character has been completely received in the shift register, the character in the shift register is overwritten but not transferred to the FIFO. The OE indicator is set to a logic "1" immediately upon detection of an overrun condition, and reset whenever the Line Status Register is read.

Bit 2

Parity Error (PE). Bit 2 indicates that the received data character does not have the correct even or odd parity, as selected by the even parity select bit. The PE is set to a logic "1" upon detection of a parity error and is reset to a logic "0" whenever the Line Status Register is read. In the FIFO mode this error is associated with the particular character in the FIFO it applies to. This error is indicated when the associated character is at the top of the FIFO.

Bit 3

Framing Error (FE). Bit 3 indicates that the received character did not have a valid stop bit. Bit 3 is set to a logic "1" whenever the stop bit following the last data bit or parity bit is detected as a zero bit (Spacing level). The FE is reset to a logic "0" whenever the Line Status Register is read. In the FIFO mode this error is associated with the particular character in the FIFO it applies to. This error is indicated when the associated character is at the top of the FIFO. The Serial Port will try to resynchronize after a framing error. To do this, it assumes that the framing error was due to the next start bit, so it samples this 'start' bit twice and then takes in the 'data'.

Bit 4

Break Interrupt (BI). Bit 4 is set to a logic "1" whenever the received data input is held in the Spacing state (logic "0") for longer than a full word transmission time (that is, the total time of the start bit + data bits + parity bits + stop bits). The BI is reset after the CPU reads the contents of the Line Status Register. In the FIFO mode this error is associated with the particular character in the FIFO. When break occurs only one zero character is loaded into the FIFO. Restarting after a break is received, requires the serial data (RXD) to be logic "1" for at least 1/2 bit time.

Note: Bits 1 through 4 are the error conditions that produce a Receiver Line Status Interrupt whenever any of the corresponding conditions are detected and the interrupt is enabled.

Bit 5

Transmitter Holding Register Empty (THRE). Bit 5 indicates that the Serial Port is ready to accept a new character for transmission. In addition, this bit causes the Serial Port to issue an interrupt when the Transmitter Holding Register interrupt enable is set high. The THRE bit is set to a logic "1" when a character is transferred from the Transmitter Holding Register into the Transmitter Shift Register. The bit is reset to logic "0" whenever the CPU loads the Transmitter Holding Register. In the FIFO mode this bit is set when the XMIT FIFO is empty, it is cleared when at least 1 byte is written to the XMIT FIFO. Bit 5 is a read only bit.

Bit 6

Transmitter Empty (TEMT). Bit 6 is set to a logic "1" whenever the Transmitter Holding Register (THR) and Transmitter Shift Register (TSR) are both empty. It is reset to logic "0" whenever either the THR or TSR contains a data character. Bit 6 is a read only bit. In the FIFO mode this bit is set whenever the THR and TSR are both empty,

Bit 7

This bit is permanently set to logic "0" in the 450 mode. In the FIFO mode, this bit is set to a logic "1" when there is at least one parity error, framing error or break indication in the FIFO. This bit is cleared when the LSR is read if there are no subsequent errors in the FIFO.

MODEM STATUS REGISTER (MSR)

Address Offset = 6H, DLAB = X, READ/WRITE

This 8 bit register provides the current state of the control lines from the MODEM (or peripheral device). In addition to this current state information, four bits of the MODEM Status Register (MSR) provide change information. These bits are set to logic "1" whenever a control input from the MODEM changes state. They are reset to logic "0" whenever the MODEM Status Register is read.

Bit 0

Delta Clear To Send (DCTS). Bit 0 indicates that the nCTS input to the chip has changed state since the last time the MSR was read.

Bit 1

Delta Data Set Ready (DDSR). Bit 1 indicates that the nDSR input has changed state since the last time the MSR was read.

Bit 2

Trailing Edge of Ring Indicator (TERI). Bit 2 indicates that the nRI input has changed from logic "0" to logic "1".

Bit 3

Delta Data Carrier Detect (DDCD). Bit 3 indicates that the nDCD input to the chip has changed state.

Note: Whenever bit 0, 1, 2, or 3 is set to a logic "1", a MODEM Status Interrupt is generated.

Bit 4

This bit is the complement of the Clear To Send (nCTS) input. If bit 4 of the MCR is set to logic "1", this bit is equivalent to nRTS in the MCR.

Bit 5

This bit is the complement of the Data Set Ready (nDSR) input. If bit 4 of the MCR is set to logic "1", this bit is equivalent to DTR in the MCR.

Bit 6

This bit is the complement of the Ring Indicator (nRI) input. If bit 4 of the MCR is set to logic "1", this bit is equivalent to OUT1 in the MCR.

Bit 7

This bit is the complement of the Data Carrier Detect (nDCD) input. If bit 4 of the MCR is set to logic "1", this bit is equivalent to OUT2 in the MCR.

SCRATCHPAD REGISTER (SCR)

Address Offset =7H, DLAB =X, READ/WRITE

This 8 bit read/write register has no effect on the operation of the Serial Port. It is intended as a scratchpad register to be used by the programmer to hold data temporarily.

PROGRAMMABLE BAUD RATE GENERATOR (AND DIVISOR LATCHES DLH, DLL)

The Serial Port contains a programmable Baud Rate Generator that is capable of dividing the PLL clock by any divisor from 1 to 65535. The internal PLL clock is divided down to generate a 1.8462MHz frequency for Baud Rates less than 38.4k, a 1.8432MHz frequency for 115.2k, a 3.6864MHz frequency for 230.4k and a 7.3728MHz frequency for 460.8k. This output frequency of the Baud Rate Generator is 16x the Baud rate. Two 8 bit latches store the divisor in 16 bit binary format. These Divisor Latches must be loaded during initialization in order to insure desired operation of the Baud Rate Generator. Upon loading either of the Divisor Latches, a 16 bit Baud counter is immediately loaded. This prevents long counts on initial load. If a 0 is loaded into the BRG registers the output divides the clock by the number 3. If a 1 is loaded the output is the inverse of the input oscillator. If a two is loaded the output is a divide by 2 signal with a 50% duty cycle. If a 3 or greater is loaded the output is low for 2 bits and high for the remainder of the count.

Table 30 shows the baud rates.

Effect Of The Reset on Register File

The Reset Function (Table 31) details the effect of the Reset input on each of the registers of the Serial Port.

FIFO INTERRUPT MODE OPERATION

When the RCVR FIFO and receiver interrupts are enabled (FCR bit 0 = "1", IER bit 0 = "1"), RCVR interrupts occur as follows:

- A. The receive data available interrupt will be issued when the FIFO has reached its programmed trigger level; it is cleared as soon as the FIFO drops below its programmed trigger level.
- B. The IIR receive data available indication also occurs when the FIFO trigger level is reached. It is cleared when the FIFO drops below the trigger level.
- C. The receiver line status interrupt (IIR=06H), has higher priority than the received data available (IIR=04H) interrupt.
- D. The data ready bit (LSR bit 0) is set as soon as a character is transferred from the shift register to the RCVR FIFO. It is reset when the FIFO is empty.

When RCVR FIFO and receiver interrupts are enabled, RCVR FIFO timeout interrupts occur as follows:

- A. A FIFO timeout interrupt occurs if all the following conditions exist:
 - At least one character is in the FIFO.
 - The most recent serial character received was longer than 4 continuous character times ago. (If 2 stop bits are programmed, the second one is included in this time delay).
 - The most recent CPU read of the FIFO was longer than 4 continuous character times ago.

This will cause a maximum character received to interrupt issued delay of 160 msec at 300 BAUD with a 12 bit character.

- B. Character times are calculated by using the RCLK input for a clock signal (this makes the delay proportional to the baudrate).
- C. When a timeout interrupt has occurred it is cleared and the timer reset when the CPU reads one character from the RCVR FIFO.
- D. When a timeout interrupt has not occurred the timeout timer is reset after a new character is received or after the CPU reads the RCVR FIFO.

When the XMIT FIFO and transmitter interrupts are enabled (FCR bit 0 = "1", IER bit 1 = "1"), XMIT interrupts occur as follows:

- A. The transmitter holding register interrupt (02H) occurs when the XMIT FIFO is empty; it is cleared as soon as the transmitter holding register is written to (1 of 16 characters may be written to the XMIT FIFO while servicing this interrupt) or the IIR is read.
- B. The transmitter FIFO empty indications will be delayed 1 character time minus the last stop bit time whenever the following occurs: THRE=1 and there have not been at least two bytes at the same time in the transmitter FIFO since the last THRE=1. The transmitter interrupt after changing FCR0 will be immediate, if it is enabled.

Character timeout and RCVR FIFO trigger level interrupts have the same priority as the current received data available interrupt; XMIT FIFO empty has the same priority as the current transmitter holding register empty interrupt.

FIFO POLLED MODE OPERATION

With FCR bit 0 = "1" resetting IER bits 0, 1, 2 or 3 or all to zero puts the UART in the FIFO Polled Mode of operation. Since the RCVR and XMITTER are controlled separately, either one or both can be in the polled mode of operation. In this mode, the user's program will check RCVR and XMITTER status via the LSR. LSR definitions for the FIFO Polled Mode are as follows:

Bit 0=1 as long as there is one byte in the RCVR FIFO.

Bits 1 to 4 specify which error(s) have occurred. Character error status is handled the same way as when in the interrupt mode, the IIR is not affected since EIR bit 2=0.

Bit 5 indicates when the XMIT FIFO is empty.

Bit 6 indicates that both the XMIT FIFO and shift register are empty.

Bit 7 indicates whether there are any errors in the RCVR FIFO.

There is no trigger level reached or timeout condition indicated in the FIFO Polled Mode, however, the RCVR and XMIT FIFOs are still fully capable of holding characters.

Table 30 - Baud Rates

| DESIRED BAUD RATE | DIVISOR USED TO GENERATE 16X CLOCK | PERCENT ERROR DIFFERENCE BETWEEN DESIRED AND ACTUAL ¹ | HIGH SPEED BIT ² |
|-------------------|------------------------------------|--|-----------------------------|
| 50 | 2304 | 0.001 | X |
| 75 | 1536 | - | X |
| 110 | 1047 | - | X |
| 134.5 | 857 | 0.004 | X |
| 150 | 768 | - | X |
| 300 | 384 | - | X |
| 600 | 192 | - | X |
| 1200 | 96 | - | X |
| 1800 | 64 | - | X |
| 2000 | 58 | 0.005 | X |
| 2400 | 48 | - | X |
| 3600 | 32 | - | X |
| 4800 | 24 | - | X |
| 7200 | 16 | - | X |
| 9600 | 12 | - | X |
| 19200 | 6 | - | X |
| 38400 | 3 | 0.030 | X |
| 57600 | 2 | 0.16 | X |
| 115200 | 1 | 0.16 | X |
| 230400 | 32770 | 0.16 | 1 |
| 460800 | 32769 | 0.16 | 1 |

Note¹: The percentage error for all baud rates, except where indicated otherwise, is 0.2%.

Note²: The High Speed bit is located in the Device Configuration Space.

Table 31 - Reset Function

| REGISTER/SIGNAL | RESET CONTROL | RESET STATE |
|-------------------------------|----------------------------|----------------------------------|
| Interrupt Enable Register | RESET | All bits low |
| Interrupt Identification Reg. | RESET | Bit 0 is high; Bits 1 - 7 low |
| FIFO Control | RESET | All bits low |
| Line Control Reg. | RESET | All bits low |
| MODEM Control Reg. | RESET | All bits low |
| Line Status Reg. | RESET | All bits low except 5, 6 high |
| MODEM Status Reg. | RESET | Bits 0 - 3 low; Bits 4 - 7 input |
| TXD1, TXD2 | RESET | High |
| INTRPT (RCVR errs) | RESET/Read LSR | Low |
| INTRPT (RCVR Data Ready) | RESET/Read RBR | Low |
| INTRPT (THRE) | RESET/ReadIIR/Write THR | Low |
| OUT2B | RESET | High |
| RTSB | RESET | High |
| DTRB | RESET | High |
| OUT1B | RESET | High |
| RCVR FIFO | RESET/ FCR1*FCR0/ _FCR0 | All Bits Low |
| XMIT FIFO | RESET/ FCR1*FCR0/ _FCR0 | All Bits Low |

Table 32 - Register Summary for an Individual UART Channel

| REGISTER ADDRESS* | REGISTER NAME | REGISTER SYMBOL | BIT 0 | BIT 1 |
|----------------------|---|-----------------|--|--|
| ADDR = 0 DLAB = 0 | Receive Buffer Register (Read Only) | RBR | Data Bit 0 (Note 1) | Data Bit 1 |
| ADDR = 0 DLAB = 0 | Transmitter Holding Register (Write Only) | THR | Data Bit 0 | Data Bit 1 |
| ADDR = 1 DLAB = 0 | Interrupt Enable Register | IER | Enable Received Data Available Interrupt (ERDAI) | Enable Transmitter Holding Register Empty Interrupt (ETHREI) |
| ADDR = 2 | Interrupt Ident. Register (Read Only) | IIR | "0" if Interrupt Pending | Interrupt ID Bit |
| ADDR = 2 | FIFO Control Register (Write Only) | FCR (Note 7) | FIFO Enable | RCVR FIFO Reset |
| ADDR = 3 | Line Control Register | LCR | Word Length Select Bit 0 (WLS0) | Word Length Select Bit 1 (WLS1) |
| ADDR = 4 | MODEM Control Register | MCR | Data Terminal Ready (DTR) | Request to Send (RTS) |
| ADDR = 5 | Line Status Register | LSR | Data Ready (DR) | Overrun Error (OE) |
| ADDR = 6 | MODEM Status Register | MSR | Delta Clear to Send (DCTS) | Delta Data Set Ready (DDSR) |
| ADDR = 7 | Scratch Register (Note 4) | SCR | Bit 0 | Bit 1 |
| ADDR = 0 DLAB = 1 | Divisor Latch (LS) | DDL | Bit 0 | Bit 1 |
| ADDR = 1 DLAB = 1 | Divisor Latch (MS) | DLM | Bit 8 | Bit 9 |

*DLAB is Bit 7 of the Line Control Register (ADDR = 3).

Note 1: Bit 0 is the least significant bit. It is the first bit serially transmitted or received.

Note 2: When operating in the XT mode, this bit will be set any time that the transmitter shift register is empty.

Table 32 - Register Summary for an Individual UART Channel (continued)

| BIT 2 | BIT 3 | BIT 4 | BIT 5 | BIT 6 | BIT 7 |
|--|--------------------------------------|--------------------------|-------------------------------------|-----------------------------------|---------------------------------|
| Data Bit 2 | Data Bit 3 | Data Bit 4 | Data Bit 5 | Data Bit 6 | Data Bit 7 |
| Data Bit 2 | Data Bit 3 | Data Bit 4 | Data Bit 5 | Data Bit 6 | Data Bit 7 |
| Enable Receiver Line Status Interrupt (ELSI) | Enable MODEM Status Interrupt (EMSI) | 0 | 0 | 0 | 0 |
| Interrupt ID Bit | Interrupt ID Bit (Note 5) | 0 | 0 | FIFOs Enabled (Note 5) | FIFOs Enabled (Note 5) |
| XMIT FIFO Reset | DMA Mode Select (Note 6) | Reserved | Reserved | RCVR Trigger LSB | RCVR Trigger MSB |
| Number of Stop Bits (STB) | Parity Enable (PEN) | Even Parity Select (EPS) | Stick Parity | Set Break | Divisor Latch Access Bit (DLAB) |
| OUT1 (Note 3) | OUT2 (Note 3) | Loop | 0 | 0 | 0 |
| Parity Error (PE) | Framing Error (FE) | Break Interrupt (BI) | Transmitter Holding Register (THRE) | Transmitter Empty (TEMT) (Note 2) | Error in RCVR FIFO (Note 5) |
| Trailing Edge Ring Indicator (TERI) | Delta Data Carrier Detect (DDCD) | Clear to Send (CTS) | Data Set Ready (DSR) | Ring Indicator (RI) | Data Carrier Detect (DCD) |
| Bit 2 | Bit 3 | Bit 4 | Bit 5 | Bit 6 | Bit 7 |
| Bit 2 | Bit 3 | Bit 4 | Bit 5 | Bit 6 | Bit 7 |
| Bit 10 | Bit 11 | Bit 12 | Bit 13 | Bit 14 | Bit 15 |

Note 3: This bit no longer has a pin associated with it.

Note 4: When operating in the XT mode, this register is not available.

Note 5: These bits are always zero in the non-FIFO mode.

Note 6: Writing a one to this bit has no effect. DMA modes are not supported in this chip.

Note 7: The UART1 and UART2 FCR's are shadowed in the UART1 FIFO Control Shadow Register (runtime register at offset 0x20) and UART2 FIFO Control Shadow Register (runtime register at offset 0x21).

NOTES ON SERIAL PORT OPERATION

FIFO MODE OPERATION:

GENERAL

The RCVR FIFO will hold up to 16 bytes regardless of which trigger level is selected.

TX AND RX FIFO OPERATION

The Tx portion of the UART transmits data through TXD as soon as the CPU loads a byte into the Tx FIFO. **The UART will prevent loads to the Tx FIFO if it currently holds 16 characters.** Loading to the Tx FIFO will again be enabled as soon as the next character is transferred to the Tx shift register. These capabilities account for the largely autonomous operation of the Tx.

The UART starts the above operations typically with a Tx interrupt. The chip issues a Tx interrupt whenever the Tx FIFO is empty and the Tx interrupt is enabled, except in the following instance. Assume that the Tx FIFO is empty and the CPU starts to load it. When the first byte enters the FIFO the Tx FIFO empty interrupt will transition from active to inactive. Depending on the execution speed of the service routine software, the UART may be able to transfer this byte from the FIFO to the shift register before the CPU loads another byte. If this happens, the Tx FIFO will be empty again and typically the UART's interrupt line would transition to the active state. This could cause a system with an interrupt control unit to record a Tx FIFO empty condition, even though the CPU is currently servicing that interrupt. **Therefore, after the first byte has been loaded into the FIFO the UART will wait one serial character transmission time before issuing a new Tx FIFO empty interrupt. This one character Tx interrupt delay will remain active until at least two bytes have the Tx FIFO empties after this condition, the Tx been loaded into the FIFO, concurrently. When interrupt will be activated without a one character delay.**

Rx support functions and operation are quite different from those described for the transmitter. The Rx FIFO receives data until the number of bytes in the FIFO equals the selected interrupt trigger level. At that time if Rx interrupts are enabled, the UART will issue an interrupt to the CPU. The Rx FIFO will continue to store bytes until it holds 16 of them. It will not accept any more data when it is full. Any more data entering the Rx shift register will set the Overrun Error flag. Normally, the FIFO depth and the programmable trigger levels will give the CPU ample time to empty the Rx FIFO before an overrun occurs.

One side-effect of having a Rx FIFO is that the selected interrupt trigger level may be above the data level in the FIFO. This could occur when data at the end of the block contains fewer bytes than the trigger level. No interrupt would be issued to the CPU and the data would remain in the UART. **To prevent the software from having to check for this situation the chip incorporates a timeout interrupt.**

The timeout interrupt is activated when there is a least one byte in the Rx FIFO, and neither the CPU nor the Rx shift register has accessed the Rx FIFO within 4 character times of the last byte. The timeout interrupt is cleared or reset when the CPU reads the Rx FIFO or another character enters it.

These FIFO related features allow optimization of CPU/UART transactions and are especially useful given the higher baud rate capability (256 kbaud).

INFRARED INTERFACE

The infrared interface provides a two-way wireless communications port using infrared as a transmission medium. Two IR implementations have been provided for the second UART in this chip (logical device 5), IrDA and Amplitude Shift Keyed IR. The IR transmission can use the standard UART2 TXD2 and RXD2 pins or optional IRTX2 and IRRX2 pins. These can be selected through the configuration registers.

IrDA 1.0 allows serial communication at baud rates up to 115.2 kbps. Each word is sent serially beginning with a zero value start bit. A zero is signaled by sending a single IR pulse at the beginning of the serial bit time. A one is signaled by sending no IR pulse during the bit time. Please refer to the AC timing for the parameters of these pulses and the IrDA waveform.

The Amplitude Shift Keyed IR allows asynchronous serial communication at baud rates up to 19.2K Baud. Each word is sent serially beginning with a zero value start bit. A zero is signaled by sending a 500kHz waveform for the duration of the serial bit time. A one is signaled by sending no transmission during the bit time. Please refer to the AC timing for the parameters of the ASK-IR waveform.

If the Half Duplex option is chosen, there is a time-out when the direction of the transmission is changed. This time-out starts at the last bit transferred during a transmission and blocks the receiver input until the timeout expires. If the transmit buffer is loaded with more data before the time-out expires, the timer is restarted after the new byte is transmitted. If data is loaded into the transmit buffer while a character is being received, the transmission will not start until the time-out expires after the last receive bit has been received. If the start bit of another character is received during this time-out, the timer is restarted after the new character is received. The IR half duplex time-out is programmable via CRF2 in Logical Device 5. This register allows the time-out to be programmed to any value between 0 and 10msec in 100usec increments.

IR Transmit Pins

The following description pertains to the IRTX and IRTX2 pins of the LPC47M10x.

Following a VTR POR, the IRTX and IRTX2 pins will be output and low. They will remain low until one of the following conditions are met:

IRTX2/GP35 Pin. This pin defaults to the IRTX2 function.

1. This pin will remain low following a VCC POR until serial port 2 is enabled by setting the activate bit, at which time the pin will reflect the state of the IR transmit output of the Serial Port 2 block.
2. This pin will remain low following a VCC POR until the GPIO output function is selected for the pin, at which time the pin will reflect the state of the GPIO data bit if it is configured as an output.

GP53/TXD2 (IRTX) Pin. This pin defaults to the GPIO output function.

1. This pin will remain low following a VCC POR until the TXD2 function is selected for the pin AND serial port 2 is enabled by setting the activate bit, at which time the pin will reflect the state of the transmit output of serial port 2. Following a VCC POR, setting the TXD2_MODE bit (bit 5 in Serial Port 2 Mode Register, 0xF0 in Logical Device 5 Configuration Registers) to '1' will change the state of the TXD2 pin from low to tristate, regardless of the function selected on the pin (GP10 or TXD2), regardless of the state of the activate bit for serial port 2 and regardless of the state of VCC. When VCC is removed from the part while the TXD2_MODE bit is set to '1', the TXD2 pin will remain tristate unless a VTR POR occurs, which will reset the TXD2_MODE bit.
2. This pin will remain low following a VCC POR until the corresponding GPIO data bit (GP5 register bit 3) is set or the polarity bit in the GP53 control register is set.

The TXD2_MODE bit is implemented for modems that do not assert the ring indicator pin when TXD2 is sensed low. If required, this bit should be used as follows:

- When the activate bit for serial port 2 is cleared prior to entering a sleep state, set the TXD2_MODE bit.
- When the activate bit for serial port 2 is set, upon exiting a sleep state, clear the TXD2_MODE bit.

The IRTX2 pin is not affected by the TXD2_MODE bit.

MPU-401 MIDI UART

Overview

Serial Port 3 is used exclusively in the LPC47M10x as an MPU-401-compatible MIDI Interface. The LPC47M10x MPU-401 hardware includes a Host Interface, an MPU-401 command controller, configuration registers, and a compatible UART (Figure 2).

Each of these components are discussed in detail, below.

Only the MPU-401 UART (pass-through) mode is included in this implementation. MPU-401 UART mode is supported on the Sound Blaster 16 Series-compatible MIDI hardware. The Sound Blaster 16 hardware is supported by Microsoft Windows Operating Systems.

In MPU-401 UART mode, data is transferred without modification between the host and the MIDI device (UART). Once UART mode is entered using the UART MODE command (3Fh), the only MPU-401 command that the interface recognizes is RESET (FFh).

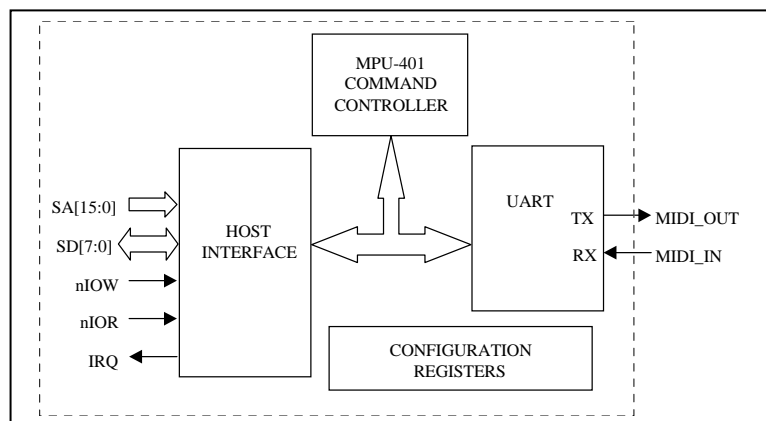


FIGURE 2 - MPU-401 MIDI INTERFACE

NOTE: This figure is for illustration purposes only and is not intended to suggest specific implementation details.

Host Interface

Overview

The Host Interface includes two contiguous 8-bit run-time registers (the Status/Command Port and the Data Port), and an interrupt. For illustration purposes, the Host Interface block shown in Figure 2 uses standard ISA signaling. Address decoding and interrupt selection for the Host Interface are determined by device configuration registers (see Section “MPU-401 Configuration Registers”).

I/O Addresses

The Sound Blaster 16 MPU-401 UART mode MIDI interface requires two consecutive I/O addresses with possible base I/O addresses of 300h and 330h. The default is 330h. The LPC47M10x MPU-401 I/O base address is programmable on even-byte boundaries throughout the entire I/O address range (see Section “Activate and I/O Base address”).

Registers (Ports)

The run-time registers in the MPU-401 Host Interface are shown below in Table 33.

TABLE 33 - MPU-401 HOST INTERFACE REGISTERS

| REGISTER NAME | ADDRESS | TYPE | DESCRIPTION |
|---------------|------------------------------|------|--|
| MIDI DATA | MPU-401 I/O Base Address | R/W | Used for MIDI transmit data, MIDI receive data, and MPU-401 command acknowledge. |
| STATUS | MPU-401 I/O Base Address + 1 | R | Used to indicate the send/receive status of the MIDI Data port. |
| COMMAND | MPU-401 I/O Base Address + 1 | W | Used for MPU-401 Commands. |

MIDI Data Port

The MIDI Data port exchanges MIDI transmit and MIDI receive data between the MPU-401 UART interface and the host. The MIDI Data port is read/write (Table 34). The MIDI Data port is also used to return the command acknowledge byte ‘FEh’ following host writes to the COMMAND port.

The MIDI Data port is full-duplex; i.e., the transmit and receive buffers can be used simultaneously.

An interrupt is generated when either MIDI receive data or a command acknowledge is available to the host in the MIDI Data register. See Section “Bit 7 – MIDI Receive Buffer Empty” and “Interrupt”

TABLE 34 - MIDI DATA PORT

| MPU-401 I/O BASE ADDRESS | | | | | | | | | DEFAULT |
|--------------------------|--|-----|-----|-----|-----|-----|-----|-----|---------|
| | D7 | D6 | D5 | D4 | D3 | D2 | D1 | D0 | |
| TYPE | R/W | R/W | R/W | R/W | R/W | R/W | R/W | R/W | n/a |
| NAME | MIDI DATA/COMMAND-ACKNOWLEDGE REGISTER | | | | | | | | |

Status Port

The Status port is used to indicate the state of the transmit and receive buffers in the MIDI Data port. The Status port is read-only (Table 35). Status port Bit 6 is MIDI Transmit Busy, Bit 7 is MIDI Receive Buffer Empty. The remaining bits in the Status port are RESERVED.

TABLE 35 - MPU-401 STATUS PORT

| MPU-401 I/O BASE ADDRESS+1 | | | | | | | | | DEFAULT |
|----------------------------|--------------------------------|-----------------|----|----|----|----|----|----|---------|
| | D7 | D6 | D5 | D4 | D3 | D2 | D1 | D0 | |
| TYPE | R | R | R | R | R | R | R | R | 0x80 |
| BIT NAME | MIDI RX BUFFE R EMPTY | MIDI TX BUSY | 0 | 0 | 0 | 0 | 0 | 0 | |

Bit 7 – MIDI Receive Buffer Empty

Bit 7 MIDI Receive Buffer Empty indicates the read state of the MIDI Data port (Table 36). If the MRBE bit is '0', MIDI Read/Command Acknowledge data is available to the host. If the MRBE bit is '1', MIDI Read/Command Acknowledge data is NOT available to the host.

The MPU-401 Interrupt output is active '1' when the MIDI Receive Buffer Empty bit is '0'. The MPU-401 Interrupt output is inactive '0' when the MIDI Receive Buffer Empty bit is '1'. See Section "Interrupt" for more information.

TABLE 36 - MIDI RECEIVE BUFFER EMPTY STATUS BIT

| STATUS PORT | DESCRIPTION |
|-------------|---|
| D7 | |
| 0 | MIDI Read/Command Acknowledge data is available to the host. |
| 1 | MIDI Read/Command Acknowledge data is NOT available to the host. |

Bit 6 – MIDI Transmit Busy

Bit 6 MIDI Transmit Busy indicates the send (write) state of the MIDI Data port and Command port (Table 37).

There are no interrupts associated with MIDI transmit (write) data.

TABLE 37 - MIDI TRANSMIT BUSY STATUS BIT

| STATUS PORT | DESCRIPTION |
|-------------|--|
| D6 | |
| 0 | The MPU-401 interface is ready to accept a data/command byte from the host. |
| 1 | The MPU-401 interface is NOT ready to accept a data/command byte from the host. |

Bits[5:0]

RESERVED (Reserved bits cannot be written and return '0' when read).

Command Port

The Command port is used to transfer MPU-401 commands to the Command Controller. The Command port is write-only (Table 38). See Section "MPU-401 Command Controller" below.

TABLE 38 – MPU-401 COMMAND PORT

| | | MPU-401 I/O BASE ADDRESS+1 | | | | | | | | |
|------|------------------|----------------------------|----|----|----|----|----|----|----|---------|
| | | D7 | D6 | D5 | D4 | D3 | D2 | D1 | D0 | DEFAULT |
| TYPE | | W | W | W | W | W | W | W | W | n/a |
| NAME | COMMAND REGISTER | | | | | | | | | |

Interrupt

The MPU-401 IRQ is asserted ('1') when either MIDI receive data or a command acknowledge byte is available to the host in the MIDI Data register (Figure 3). The IRQ is deasserted ('0') when the host reads the MIDI Data port.

NOTE: If, following a host read, data is still available in the Receive FIFO, the IRQ will remain asserted ('1').

The IRQ is enabled when the 'Activate' bit in the MPU-401 configuration registers logical device block is asserted '1'. If the Activate bit is deasserted '0', the MPU-401 IRQ cannot be asserted (see Section "MPU-401 Configuration Registers").

The MPU-401 IRQ is not affected by MIDI write data, transmit-related functions or Receiver Line Status interrupts.

The factory default Sound Blaster 16 MPU-401 IRQ is 5.

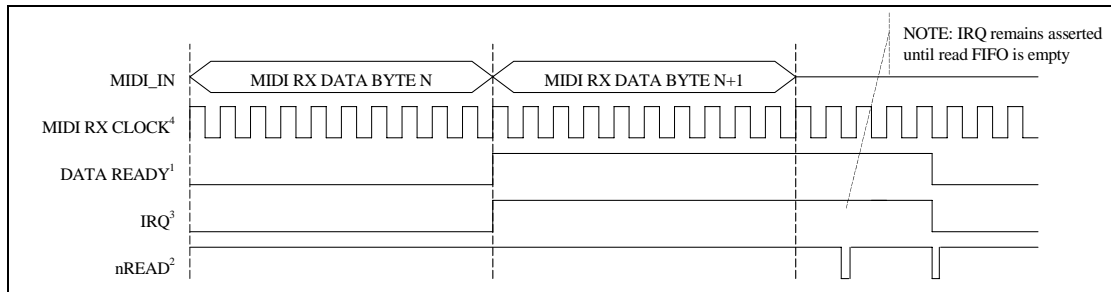


FIGURE 3 - MPU-401 INTERRUPT

NOTE¹ DATA READY represents the Data Ready bit B0 in the UART Line Status Register.

NOTE² nREAD represents host read operations from the MIDI Data register.

NOTE³ IRQ is the MPU-401 Host Interface IRQ shown in Figure 2. The UART Receive FIFO Threshold = 1.

NOTE⁴ MIDI RX CLOCK is the MIDI bit clock. The MIDI bit clock period is 32μs.

MPU-401 Command Controller

Overview

Commands are written by the host to the MPU-401 MIDI Interface through the Command register (Table 38) and are immediately interpreted by the MPU-401 Command Controller shown in Figure 3. The MPU-401 Command Controller in this implementation only responds to the MPU-401 RESET (FFh) and UART MODE (3Fh) commands. All other commands are ignored.

Under certain conditions, the Command Controller acknowledges MPU-401 commands with a command acknowledge byte (FEh).

RESET Command

The RESET command is FFh. The RESET command resets the MPU-401 MIDI Interface. Reset disables the MPU-401 UART MODE command, disables the UART, clears the receive FIFO. The command controller places the command acknowledge byte 'FEh' in the MIDI Data port read buffer if the interface is not in the UART mode.

The RESET command is executed but not acknowledged when the command is received while the interface is in the UART mode.

When the MPU-401 is reset, receive data from the MIDI_IN port as well as data written by the host to the MIDI Data port is ignored.

The MPU-401 MIDI Interface is reset following the RESET command or POR.

UART MODE Command

The UART MODE command is 3Fh. The UART MODE command clears the transmit and receive FIFOs, places the command acknowledge byte (FEh) in the MIDI Data port receive buffer, and enables the UART for transmit and receive operations.

In UART mode, the MPU-401 Interface passes MIDI read and write data directly between the host (using the MIDI Data port) and the UART Transmit and Receive buffers.

The MPU-401 Command Controller ignores the UART MODE command when the MPU-401 Interface is already in UART mode.

The MPU-401 RESET command is executed but not acknowledged by the MPU-401 Command Controller in UART MODE (see Section "RESET Command", above).

Command Acknowledge Byte

Under certain conditions, the command controller acknowledges the RESET and UART MODE commands with a command acknowledge byte (FEh).

The command acknowledge byte appears as read-data in the MIDI Data port.

NOTE: The command acknowledge byte will appear as the next available data byte in the receive buffer of the MIDI Data port. For example if the receive FIFO is not empty when an MPU-401 RESET command is received, the command acknowledge will appear first, before any unread FIFO data. In the examples above, the receive FIFO is cleared before the command acknowledge byte is placed in the MIDI Data port read buffer.

MIDI UART

Overview

The UART is used to transmit and receive MIDI protocol data from the MIDI Data port in the Host Interface (see Section “Host Interface”).

The MIDI protocol requires 31.25k Baud ($\pm 1\%$) and 10 bits total per frame: 1 start bit, 8 data bits, no parity, and 1 stop bit. For example, there are 320 microseconds per serial MIDI data byte. MIDI data is transferred LSB first (Figure 4).

The UART is configured in full-duplex mode for the MPU-401 MIDI Interface, with 16-byte send/receive FIFOs.

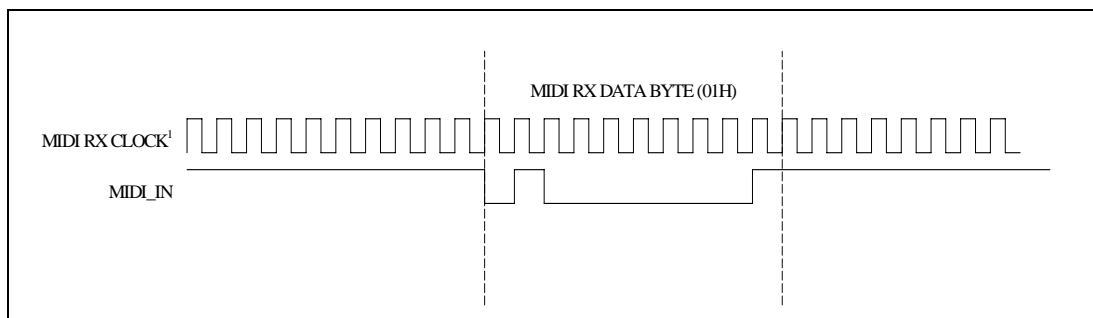


FIGURE 4 - MIDI DATA BYTE EXAMPLE

NOTE¹ MIDI RX CLOCK is the MIDI bit clock. The MIDI bit clock period is 32 μ s.

MPU-401 Configuration Registers

The LPC47M10x configuration registers are in Logical Device B (see Configuration section). The configuration registers contain the MPU-401 Activate, Base Address and Interrupt select. The defaults for the Base Address and Interrupt Select configuration registers match the MPU-401 factory defaults.

Activate and I/O Base Address

When the Activate bit D0 is '0', the MPU-401 I/O base address decoder is disabled, the IRQ is always deasserted, and the MPU-401 hardware is in a minimum power-consumption state. When the Activate bit is '1', the MPU-401 I/O base address decoder and the IRQ are enabled, and the MPU-401 hardware is fully powered.

Register 0x60 is the MPU-401 I/O Base Address High Byte, register 0x61 is the MPU-401 I/O Base Address Low Byte. The MPU-401 I/O base address is programmable on even-byte boundaries. The valid MPU-401 I/O base address range is 0x0100 – 0x0FFE. See Section “Host Interface”.

PARALLEL PORT

The LPC47M10x incorporates an IBM XT/AT compatible parallel port. This supports the optional PS/2 type bi-directional parallel port (SPP), the Enhanced Parallel Port (EPP) and the Extended Capabilities Port (ECP) parallel port modes. Refer to the Configuration Registers for information on disabling, power down, changing the base address of the parallel port, and selecting the mode of operation.

The parallel port also incorporates SMSC's ChiProtect circuitry, which prevents possible damage to the parallel port due to printer power-up.

The functionality of the Parallel Port is achieved through the use of eight addressable ports, with their associated registers and control gating. The control and data port are read/write by the CPU, the status port is read/write in the EPP mode. The address map of the Parallel Port is shown below:

| | |
|-----------------|--------------------|
| DATA PORT | BASE ADDRESS + 00H |
| STATUS PORT | BASE ADDRESS + 01H |
| CONTROL PORT | BASE ADDRESS + 02H |
| EPP ADDR PORT | BASE ADDRESS + 03H |
| EPP DATA PORT 0 | BASE ADDRESS + 04H |
| EPP DATA PORT 1 | BASE ADDRESS + 05H |
| EPP DATA PORT 2 | BASE ADDRESS + 06H |
| EPP DATA PORT 3 | BASE ADDRESS + 07H |

The bit map of these registers is:

| | D0 | D1 | D2 | D3 | D4 | D5 | D6 | D7 | Note |
|-----------------|--------|--------|-------|------|------|-----|------|-------|------|
| DATA PORT | PD0 | PD1 | PD2 | PD3 | PD4 | PD5 | PD6 | PD7 | 1 |
| STATUS PORT | TMOUT | 0 | 0 | nERR | SLCT | PE | nACK | nBUSY | 1 |
| CONTROL PORT | STROBE | AUTOFD | nINIT | SLC | IRQE | PCD | 0 | 0 | 1 |
| EPP ADDR PORT | PD0 | PD1 | PD2 | PD3 | PD4 | PD5 | PD6 | PD7 | 2 |
| EPP DATA PORT 0 | PD0 | PD1 | PD2 | PD3 | PD4 | PD5 | PD6 | PD7 | 2 |
| EPP DATA PORT 1 | PD0 | PD1 | PD2 | PD3 | PD4 | PD5 | PD6 | PD7 | 2 |
| EPP DATA PORT 2 | PD0 | PD1 | PD2 | PD3 | PD4 | PD5 | PD6 | PD7 | 2 |
| EPP DATA PORT 3 | PD0 | PD1 | PD2 | PD3 | PD4 | PD5 | PD6 | PD7 | 2 |

Note 1: These registers are available in all modes.

Note 2: These registers are only available in EPP mode.

Table 39 - Parallel Port Connector

| HOST CONNECTOR | PIN NUMBER | STANDARD | EPP | ECP |
|----------------|------------|----------|----------------|--------------------------------|
| 1 | 83 | nSTROBE | nWrite | nStrobe |
| 2-9 | 68-75 | PD<0:7> | PData<0:7> | PData<0:7> |
| 10 | 80 | nACK | Intr | nAck |
| 11 | 79 | BUSY | nWait | Busy, PeriphAck(3) |
| 12 | 78 | PE | (User Defined) | PError, nAckReverse(3) |
| 13 | 77 | SLCT | (User Defined) | Select |
| 14 | 82 | nALF | nDataStb | nAutoFd, HostAck(3) |
| 15 | 81 | nERROR | (User Defined) | nFault(1) nPeriphRequest(3) |
| 16 | 66 | nINIT | nRESET | nInit(1) nReverseRqst(3) |
| 17 | 67 | nSLCTIN | nAddrstrb | nSelectIn(1,3) |

(1) = Compatible Mode
(3) = High Speed Mode

Note: For the cable interconnection required for ECP support and the Slave Connector pin numbers, refer to the IEEE 1284 Extended Capabilities Port Protocol and ISA Standard, Rev. 1.14, July 14, 1993. This document is available from Microsoft.

IBM XT/AT COMPATIBLE, BI-DIRECTIONAL AND EPP MODES

DATA PORT

ADDRESS OFFSET = 00H

The Data Port is located at an offset of '00H' from the base address. The data register is cleared at initialization by RESET. During a WRITE operation, the Data Register latches the contents of the internal data bus. The contents of this register are buffered (non inverting) and output onto the PD0 - PD7 ports. During a READ operation in SPP mode, PD0 - PD7 ports are buffered (not latched) and output to the host CPU.

STATUS PORT

ADDRESS OFFSET = 01H

The Status Port is located at an offset of '01H' from the base address. The contents of this register are latched for the duration of a read cycle. The bits of the Status Port are defined as follows:

BIT 0 TMOUT - TIME OUT

This bit is valid in EPP mode only and indicates that a 10 usec time out has occurred on the EPP bus. A logic 0 means that no time out error has occurred; a logic 1 means that a time out error has been detected. This bit is cleared by a RESET. If the TIMEOUT_SELECT bit (bit 4 of the Parallel Port Mode Register 2, 0xF1 in Logical Device 3 Configuration Registers) is '0', writing a one to this bit clears the TMOUT status bit. Writing a zero to this bit has no effect. If the TIMEOUT_SELECT bit (bit 4 of the Parallel Port Mode Register 2, 0xF1 in Logical Device 3 Configuration Registers) is '1', the TMOUT bit is cleared on the trailing edge of a read of the EPP Status Register.

BITS 1, 2 - are not implemented as register bits, during a read of the Printer Status Register these bits are a low level.

BIT 3 nERR - nERROR

The level on the nERROR input is read by the CPU as bit 3 of the Printer Status Register. A logic 0 means an error has been detected; a logic 1 means no error has been detected.

BIT 4 SLCT - PRINTER SELECTED STATUS

The level on the SLCT input is read by the CPU as bit 4 of the Printer Status Register. A logic 1 means the printer is on line; a logic 0 means it is not selected.

BIT 5 PE - PAPER END

The level on the PE input is read by the CPU as bit 5 of the Printer Status Register. A logic 1 indicates a paper end; a logic 0 indicates the presence of paper.

BIT 6 nACK - nACKNOWLEDGE

The level on the nACK input is read by the CPU as bit 6 of the Printer Status Register. A logic 0 means that the printer has received a character and can now accept another. A logic 1 means that it is still processing the last character or has not received the data.

BIT 7 nBUSY - nBUSY

The complement of the level on the BUSY input is read by the CPU as bit 7 of the Printer Status Register. A logic 0 in this bit means that the printer is busy and cannot accept a new character. A logic 1 means that it is ready to accept the next character.

CONTROL PORT**ADDRESS OFFSET = 02H**

The Control Port is located at an offset of '02H' from the base address. The Control Register is initialized by the RESET input, bits 0 to 5 only being affected; bits 6 and 7 are hard wired low.

BIT 0 STROBE - STROBE

This bit is inverted and output onto the nSTROBE output.

BIT 1 AUTOFD - AUTOFEED

This bit is inverted and output onto the nAUTOFD output. A logic 1 causes the printer to generate a line feed after each line is printed. A logic 0 means no autofeed.

BIT 2 nINIT - nINITIATE OUTPUT

This bit is output onto the nINIT output without inversion.

BIT 3 SLCTIN - PRINTER SELECT INPUT

This bit is inverted and output onto the nSLCTIN output. A logic 1 on this bit selects the printer; a logic 0 means the printer is not selected.

BIT 4 IRQE - INTERRUPT REQUEST ENABLE

The interrupt request enable bit when set to a high level may be used to enable interrupt requests from the Parallel Port to the CPU. An interrupt request is generated on the IRQ port by a positive going nACK input. When the IRQE bit is programmed low the IRQ is disabled.

BIT 5 PCD - PARALLEL CONTROL DIRECTION

Parallel Control Direction is not valid in printer mode. In printer mode, the direction is always out regardless of the state of this bit. In bi-directional, EPP or ECP mode, a logic 0 means that the printer port is in output mode (write); a logic 1 means that the printer port is in input mode (read).

Bits 6 and 7 during a read are a low level, and cannot be written.

EPP ADDRESS PORT**ADDRESS OFFSET = 03H**

The EPP Address Port is located at an offset of '03H' from the base address. The address register is cleared at initialization by RESET. During a WRITE operation, the contents of the internal data bus DB0-DB7 are buffered (non inverting) and output onto the PD0 - PD7 ports. An LPC I/O write cycle causes an EPP ADDRESS WRITE cycle to be

performed, during which the data is latched for the duration of the EPP write cycle. During a READ operation, PD0 - PD7 ports are read. An LPC I/O read cycle causes an EPP ADDRESS READ cycle to be performed and the data output to the host CPU, the deassertion of ADDRSTB latches the PData for the duration of the read cycle. This register is only available in EPP mode.

EPP DATA PORT 0
ADDRESS OFFSET = 04H

The EPP Data Port 0 is located at an offset of '04H' from the base address. The data register is cleared at initialization by RESET. During a WRITE operation, the contents of the internal data bus DB0-DB7 are buffered (non inverting) and output onto the PD0 - PD7 ports. An LPC I/O write cycle causes an EPP DATA WRITE cycle to be performed, during which the data is latched for the duration of the EPP write cycle. During a READ operation, PD0 - PD7 ports are read. An LPC I/O read cycle causes an EPP READ cycle to be performed and the data output to the host CPU, the deassertion of DATASTB latches the PData for the duration of the read cycle. This register is only available in EPP mode.

EPP DATA PORT 1
ADDRESS OFFSET = 05H

The EPP Data Port 1 is located at an offset of '05H' from the base address. Refer to EPP DATA PORT 0 for a description of operation. This register is only available in EPP mode.

EPP DATA PORT 2
ADDRESS OFFSET = 06H

The EPP Data Port 2 is located at an offset of '06H' from the base address. Refer to EPP DATA PORT 0 for a description of operation. This register is only available in EPP mode.

EPP DATA PORT 3
ADDRESS OFFSET = 07H

The EPP Data Port 3 is located at an offset of '07H' from the base address. Refer to EPP DATA PORT 0 for a description of operation. This register is only available in EPP mode.

EPP 1.9 OPERATION

When the EPP mode is selected in the configuration register, the standard and bi-directional modes are also available. If no EPP Read, Write or Address cycle is currently executing, then the PDx bus is in the standard or bi-directional mode, and all output signals (STROBE, AUTOFD, INIT) are as set by the SPP Control Port and direction is controlled by PCD of the Control port.

In EPP mode, the system timing is closely coupled to the EPP timing. For this reason, a watchdog timer is required to prevent system lockup. The timer indicates if more than 10usec have elapsed from the start of the EPP cycle to nWAIT being deasserted (after command). If a time-out occurs, the current EPP cycle is aborted and the time-out condition is indicated in Status bit 0.

During an EPP cycle, if STROBE is active, it overrides the EPP write signal forcing the PDx bus to always be in a write mode and the nWRITE signal to always be asserted.

Software Constraints

Before an EPP cycle is executed, the software must ensure that the control register bit PCD is a logic "0" (i.e., a 04H or 05H should be written to the Control port). If the user leaves PCD as a logic "1", and attempts to perform an EPP write, the chip is unable to perform the write (because PCD is a logic "1") and will appear to perform an EPP read on the parallel bus, no error is indicated.

EPP 1.9 Write

The timing for a write operation (address or data) is shown in timing diagram EPP Write Data or Address cycle. The chip inserts wait states into the LPC I/O write cycle until it has been determined that the write cycle can complete. The write cycle can complete under the following circumstances:

1. If the EPP bus is not ready (nWAIT is active low) when nDATASTB or nADDRSTB goes active then the write can complete when nWAIT goes inactive high.
2. If the EPP bus is ready (nWAIT is inactive high) then the chip must wait for it to go active low before changing the state of nDATASTB, nWRITE or nADDRSTB. The write can complete once nWAIT is determined inactive.

Write Sequence of operation

1. The host initiates an I/O write cycle to the selected EPP register.
2. If WAIT is not asserted, the chip must wait until WAIT is asserted.
3. The chip places address or data on PData bus, clears PDIR, and asserts nWRITE.
4. Chip asserts nDATASTB or nADDRSTRB indicating that PData bus contains valid information, and the WRITE signal is valid.
5. Peripheral deasserts nWAIT, indicating that any setup requirements have been satisfied and the chip may begin the termination phase of the cycle.
6.
 - a) The chip deasserts nDATASTB or nADDRSTRB, this marks the beginning of the termination phase. If it has not already done so, the peripheral should latch the information byte now.
 - b) The chip latches the data from the internal data bus for the PData bus and drives the sync that indicates that no more wait states are required followed by the TAR to complete the write cycle.
7. Peripheral asserts nWAIT, indicating to the host that any hold time requirements have been satisfied and acknowledging the termination of the cycle.
8. Chip may modify nWRITE and nPDATA in preparation for the next cycle.

EPP 1.9 Read

The timing for a read operation (data) is shown in timing diagram EPP Read Data cycle. The chip inserts wait states into the LPC I/O read cycle until it has been determined that the read cycle can complete. The read cycle can complete under the following circumstances:

1. If the EPP bus is not ready (nWAIT is active low) when nDATASTB goes active then the read can complete when nWAIT goes inactive high.
2. If the EPP bus is ready (nWAIT is inactive high) then the chip must wait for it to go active low before changing the state of WRITE or before nDATASTB goes active. The read can complete once nWAIT is determined inactive.

Read Sequence of Operation

1. The host initiates an I/O read cycle to the selected EPP register.
2. If WAIT is not asserted, the chip must wait until WAIT is asserted.
3. The chip tri-states the PData bus and deasserts nWRITE.
4. Chip asserts nDATASTB or nADDRSTRB indicating that PData bus is tri-stated, PDIR is set and the nWRITE signal is valid.
5. Peripheral drives PData bus valid.
6. Peripheral deasserts nWAIT, indicating that PData is valid and the chip may begin the termination phase of the cycle.
7.
 - a) The chip latches the data from the PData bus for the internal data bus and deasserts nDATASTB or nADDRSTRB. This marks the beginning of the termination phase.
 - b) The chip drives the sync that indicates that no more wait states are required and drives the valid data onto the LAD[3:0] signals, followed by the TAR to complete the read cycle.
8. Peripheral tri-states the PData bus and asserts nWAIT, indicating to the host that the PData bus is tri-stated.
9. Chip may modify nWRITE, PDIR and nPDATA in preparation for the next cycle.

EPP 1.7 OPERATION

When the EPP 1.7 mode is selected in the configuration register, the standard and bi-directional modes are also available. If no EPP Read, Write or Address cycle is currently executing, then the PDx bus is in the standard or bi-directional mode, and all output signals (STROBE, AUTOFD, INIT) are as set by the SPP Control Port and direction is controlled by PCD of the Control port.

In EPP mode, the system timing is closely coupled to the EPP timing. For this reason, a watchdog timer is required to prevent system lockup. The timer indicates if more than 10usec have elapsed from the start of the EPP cycle to the end of the cycle. If a time-out occurs, the current EPP cycle is aborted and the time-out condition is indicated in Status bit 0.

Software Constraints

Before an EPP cycle is executed, the software must ensure that the control register bits D0, D1 and D3 are set to zero. Also, bit D5 (PCD) is a logic "0" for an EPP write or a logic "1" for an EPP read.

EPP 1.7 Write

The timing for a write operation (address or data) is shown in timing diagram EPP 1.7 Write Data or Address cycle. The chip inserts wait states into the I/O write cycle when nWAIT is active low during the EPP cycle. This can be used to extend the cycle time. The write cycle can complete when nWAIT is inactive high.

Write Sequence of Operation

1. The host sets PDIR bit in the control register to a logic "0". This asserts nWRITE.
2. The host initiates an I/O write cycle to the selected EPP register.
3. The chip places address or data on PData bus.
4. Chip asserts nDATASTB or nADDRSTRB indicating that PData bus contains valid information, and the WRITE signal is valid.
5. If nWAIT is asserted, the chip inserts wait states into I/O write cycle until the peripheral deasserts nWAIT or a time-out occurs.
6. The chip drives the final sync, deasserts nDATASTB or nADDRSTRB and latches the data from the internal data bus for the PData bus.
7. Chip may modify nWRITE, PDIR and nPDATA in preparation of the next cycle.

EPP 1.7 Read

The timing for a read operation (data) is shown in timing diagram EPP 1.7 Read Data cycle. The chip inserts wait states into the I/O read cycle when nWAIT is active low during the EPP cycle. This can be used to extend the cycle time. The read cycle can complete when nWAIT is inactive high.

Read Sequence of Operation

1. The host sets PDIR bit in the control register to a logic "1". This deasserts nWRITE and tri-states the PData bus.
2. The host initiates an I/O read cycle to the selected EPP register.
3. Chip asserts nDATASTB or nADDRSTRB indicating that PData bus is tri-stated, PDIR is set and the nWRITE signal is valid.
4. If nWAIT is asserted, the chip inserts wait states into the I/O read cycle until the peripheral deasserts nWAIT or a time-out occurs.
5. The Peripheral drives PData bus valid.
6. The Peripheral deasserts nWAIT, indicating that PData is valid and the chip may begin the termination phase of the cycle.
7. The chip drives the final sync and deasserts nDATASTB or nADDRSTRB.
8. Peripheral tri-states the PData bus.
9. Chip may modify nWRITE, PDIR and nPDATA in preparation of the next cycle.

Table 40 - EPP Pin Descriptions

| EPP SIGNAL | EPP NAME | TYPE | EPP DESCRIPTION |
|-------------------|-------------------------|-------------|---|
| nWRITE | nWrite | O | This signal is active low. It denotes a write operation. |
| PD<0:7> | Address/Data | I/O | Bi-directional EPP byte wide address and data bus. |
| INTR | Interrupt | I | This signal is active high and positive edge triggered. (Pass through with no inversion, Same as SPP). |
| WAIT | nWait | I | This signal is active low. It is driven inactive as a positive acknowledgement from the device that the transfer of data is completed. It is driven active as an indication that the device is ready for the next transfer. |
| DATASTB | nData Strobe | O | This signal is active low. It is used to denote data read or write operation. |
| RESET | nReset | O | This signal is active low. When driven active, the EPP device is reset to its initial operational mode. |
| ADDRSTB | nAddress Strobe | O | This signal is active low. It is used to denote address read or write operation. |
| PE | Paper End | I | Same as SPP mode. |
| SLCT | Printer Selected Status | I | Same as SPP mode. |
| nERR | Error | I | Same as SPP mode. |

Note 1: SPP and EPP can use 1 common register.

Note 2: nWrite is the only EPP output that can be over-ridden by SPP control port during an EPP cycle. For correct EPP read cycles, PCD is required to be a low.

EXTENDED CAPABILITIES PARALLEL PORT

ECP provides a number of advantages, some of which are listed below. The individual features are explained in greater detail in the remainder of this section.

High performance half-duplex forward and reverse channel Interlocked handshake, for fast reliable transfer
 Optional single byte RLE compression for improved throughput (64:1)
 Channel addressing for low-cost peripherals
 Maintains link and data layer separation
 Permits the use of active output drivers
 permits the use of adaptive signal timing
 Peer-to-peer capability.

Vocabulary

The following terms are used in this document:

- assert: When a signal asserts it transitions to a "true" state, when a signal deasserts it transitions to a "false" state.
- forward: Host to Peripheral communication.
- reverse: Peripheral to Host communication
- Pword: A port word; equal in size to the width of the LPC interface. For this implementation, PWord is always 8 bits.
- 1: A high level.
- 0: A low level.

These terms may be considered synonymous:

- PeriphClk, nAck
- HostAck, nAutoFd
- PeriphAck, Busy
- nPeriphRequest, nFault
- nReverseRequest, nInit
- nAckReverse, PError
- Xflag, Select
- ECPMode, nSelectIn
- HostClk, nStrobe

Reference Document: IEEE 1284 Extended Capabilities Port Protocol and ISA Interface Standard, Rev 1.14, July 14, 1993. This document is available from Microsoft.

The bit map of the Extended Parallel Port registers is:

| | D7 | D6 | D5 | D4 | D3 | D2 | D1 | D0 | Note |
|----------|-------------------------------|-----------|-------------------|------------|----------|-------------------|--------|--------|------|
| data | PD7 | PD6 | PD5 | PD4 | PD3 | PD2 | PD1 | PD0 | |
| ecpAFifo | Addr/RLE Address or RLE field | | | | | | | | 2 |
| dscr | nBusy | nAck | PError | Select | nFault | 0 | 0 | 0 | 1 |
| dcr | 0 | 0 | Direction | ackIntEn | SelectIn | nInit | autofd | strobe | 1 |
| cFifo | Parallel Port Data FIFO | | | | | | | | 2 |
| ecpDFifo | ECP Data FIFO | | | | | | | | 2 |
| tFifo | Test FIFO | | | | | | | | 2 |
| cnfgA | 0 | 0 | 0 | 1 | 0 | 0 | 0 | 0 | |
| cnfgB | compress | intrValue | Parallel Port IRQ | | | Parallel Port DMA | | | |
| ecr | MODE | | | nErrIntrEn | dmaEn | serviceIntr | full | empty | |

Note 1: These registers are available in all modes.

Note 2: All FIFOs use one common 16 byte FIFO.

Note 3: The ECP Parallel Port Config Reg B reflects the IRQ and DMA channel selected by the Configuration Registers.

ECP IMPLEMENTATION STANDARD

This specification describes the standard interface to the Extended Capabilities Port (ECP). All LPC devices supporting ECP must meet the requirements contained in this section or the port will not be supported by Microsoft. For a description of the ECP Protocol, please refer to the IEEE 1284 Extended Capabilities Port Protocol and ISA Interface Standard, Rev. 1.14, July 14, 1993. This document is available from Microsoft.

Description

The port is software and hardware compatible with existing parallel ports so that it may be used as a standard LPT port if ECP is not required. The port is designed to be simple and requires a small number of gates to implement. It does not do any "protocol" negotiation, rather it provides an automatic high burst-bandwidth channel that supports DMA for ECP in both the forward and reverse directions.

Small FIFOs are employed in both forward and reverse directions to smooth data flow and improve the maximum bandwidth requirement. The size of the FIFO is 16 bytes deep. The port supports an automatic handshake for the standard parallel port to improve compatibility mode transfer speed.

The port also supports run length encoded (RLE) decompression (required) in hardware. Compression is accomplished by counting identical bytes and transmitting an RLE byte that indicates how many times the next byte is to be repeated. Decompression simply intercepts the RLE byte and repeats the following byte the specified number of times. Hardware support for compression is optional.

Table 41 - ECP Pin Descriptions

| NAME | TYPE | DESCRIPTION |
|-------------------------|------|---|
| nStrobe | O | During write operations nStrobe registers data or address into the slave on the asserting edge (handshakes with Busy). |
| PData 7:0 | I/O | Contains address or data or RLE data. |
| nAck | I | Indicates valid data driven by the peripheral when asserted. This signal handshakes with nAutoFd in reverse. |
| PeriphAck (Busy) | I | This signal deasserts to indicate that the peripheral can accept data. This signal handshakes with nStrobe in the forward direction. In the reverse direction this signal indicates whether the data lines contain ECP command information or data. The peripheral uses this signal to flow control in the forward direction. It is an "interlocked" handshake with nStrobe. PeriphAck also provides command information in the reverse direction. |
| PError (nAckReverse) | I | Used to acknowledge a change in the direction the transfer (asserted = forward). The peripheral drives this signal low to acknowledge nReverseRequest. It is an "interlocked" handshake with nReverseRequest. The host relies upon nAckReverse to determine when it is permitted to drive the data bus. |
| Select | I | Indicates printer on line. |
| nAutoFd (HostAck) | O | Requests a byte of data from the peripheral when asserted, handshaking with nAck in the reverse direction. In the forward direction this signal indicates whether the data lines contain ECP address or data. The host drives this signal to flow control in the reverse direction. It is an "interlocked" handshake with nAck. HostAck also provides command information in the forward phase. |
| nFault (nPeriphRequest) | I | Generates an error interrupt when asserted. This signal provides a mechanism for peer-to-peer communication. This signal is valid only in the forward direction. During ECP Mode the peripheral is permitted (but not required) to drive this pin low to request a reverse transfer. The request is merely a "hint" to the host; the host has ultimate control over the transfer direction. This signal would be typically used to generate an interrupt to the host CPU. |
| nInit | O | Sets the transfer direction (asserted = reverse, deasserted = forward). This pin is driven low to place the channel in the reverse direction. The peripheral is only allowed to drive the bi-directional data bus while in ECP Mode and HostAck is low and nSelectIn is high. |
| nSelectIn | O | Always deasserted in ECP mode. |

Register Definitions

The register definitions are based on the standard IBM addresses for LPT. All of the standard printer ports are supported. The additional registers attach to an upper bit decode of the standard LPT port definition to avoid conflict with standard ISA devices. The port is equivalent to a generic parallel port interface and may be operated in that mode. The port registers vary depending on the mode field in the ecr. The table below lists these dependencies. Operation of the devices in modes other than those specified is undefined.

Table 42 - ECP Register Definitions

| NAME | ADDRESS (Note 1) | ECP MODES | FUNCTION |
|----------|------------------|-----------|---------------------------|
| data | +000h R/W | 000-001 | Data Register |
| ecpAFifo | +000h R/W | 011 | ECP FIFO (Address) |
| dscr | +001h R/W | All | Status Register |
| dcr | +002h R/W | All | Control Register |
| cFifo | +400h R/W | 010 | Parallel Port Data FIFO |
| ecpDFifo | +400h R/W | 011 | ECP FIFO (DATA) |
| tFifo | +400h R/W | 110 | Test FIFO |
| cnfgA | +400h R | 111 | Configuration Register A |
| cnfgB | +401h R/W | 111 | Configuration Register B |
| ecr | +402h R/W | All | Extended Control Register |

Note 1: These addresses are added to the parallel port base address as selected by configuration register or jumpers.

Note 2: All addresses are qualified with AEN. Refer to the AEN pin definition.

Table 43 - Mode Descriptions

| MODE | DESCRIPTION* |
|-------------|---|
| 000 | SPP mode |
| 001 | PS/2 Parallel Port mode |
| 010 | Parallel Port Data FIFO mode |
| 011 | ECP Parallel Port mode |
| 100 | EPP mode (If this option is enabled in the configuration registers) |
| 101 | Reserved |
| 110 | Test mode |
| 111 | Configuration mode |

*Refer to ECR Register Description

**DATA and ecpAFifo PORT
ADDRESS OFFSET = 00H**

Modes 000 and 001 (Data Port)

The Data Port is located at an offset of '00H' from the base address. The data register is cleared at initialization by RESET. During a WRITE operation, the Data Register latches the contents of the data bus. The contents of this register are buffered (non inverting) and output onto the PD0 - PD7 ports. During a READ operation, PD0 - PD7 ports are read and output to the host CPU.

Mode 011 (ECP FIFO - Address/RLE)

A data byte written to this address is placed in the FIFO and tagged as an ECP Address/RLE. The hardware at the ECP port transmits this byte to the peripheral automatically. The operation of this register is only defined for the forward direction (direction is 0). Refer to the ECP Parallel Port Forward Timing Diagram, located in the Timing Diagrams section of this data sheet.

**DEVICE STATUS REGISTER (dsr)
ADDRESS OFFSET = 01H**

The Status Port is located at an offset of '01H' from the base address. Bits 0 - 2 are not implemented as register bits, during a read of the Printer Status Register these bits are a low level. The bits of the Status Port are defined as follows:

BIT 3 nFault

The level on the nFault input is read by the CPU as bit 3 of the Device Status Register.

BIT 4 Select

The level on the Select input is read by the CPU as bit 4 of the Device Status Register.

BIT 5 PError

The level on the PError input is read by the CPU as bit 5 of the Device Status Register. Printer Status Register.

BIT 6 nAck

The level on the nAck input is read by the CPU as bit 6 of the Device Status Register.

BIT 7 nBusy

The complement of the level on the BUSY input is read by the CPU as bit 7 of the Device Status Register.

**DEVICE CONTROL REGISTER (dcr)
ADDRESS OFFSET = 02H**

The Control Register is located at an offset of '02H' from the base address. The Control Register is initialized to zero by the RESET input, bits 0 to 5 only being affected; bits 6 and 7 are hard wired low.

BIT 0 STROBE - STROBE

This bit is inverted and output onto the nSTROBE output.

BIT 1 AUTOFD - AUTOFEED

This bit is inverted and output onto the nAUTOFD output. A logic 1 causes the printer to generate a line feed after each line is printed. A logic 0 means no autofeed.

BIT 2 nINIT - nINITIATE OUTPUT

This bit is output onto the nINIT output without inversion.

BIT 3 SELECTIN

This bit is inverted and output onto the nSLCTIN output. A logic 1 on this bit selects the printer; a logic 0 means the printer is not selected.

BIT 4 ackIntEn - INTERRUPT REQUEST ENABLE

The interrupt request enable bit when set to a high level may be used to enable interrupt requests from the Parallel Port to the CPU due to a low to high transition on the nACK input. Refer to the description of the interrupt under Operation, Interrupts.

BIT 5 DIRECTION

If mode=000 or mode=010, this bit has no effect and the direction is always out regardless of the state of this bit. In all other modes, Direction is valid and a logic 0 means that the printer port is in output mode (write); a logic 1 means that the printer port is in input mode (read).

BITS 6 and 7 during a read are a low level, and cannot be written.

cFifo (Parallel Port Data FIFO)

ADDRESS OFFSET = 400h

Mode = 010

Bytes written or DMAed from the system to this FIFO are transmitted by a hardware handshake to the peripheral using the standard parallel port protocol. Transfers to the FIFO are byte aligned. This mode is only defined for the forward direction.

ecpDFifo (ECP Data FIFO)

ADDRESS OFFSET = 400H

Mode = 011

Bytes written or DMAed from the system to this FIFO, when the direction bit is 0, are transmitted by a hardware handshake to the peripheral using the ECP parallel port protocol. Transfers to the FIFO are byte aligned.

Data bytes from the peripheral are read under automatic hardware handshake from ECP into this FIFO when the direction bit is 1. Reads or DMA's from the FIFO will return bytes of ECP data to the system.

tFifo (Test FIFO Mode)

ADDRESS OFFSET = 400H

Mode = 110

Data bytes may be read, written or DMAed to or from the system to this FIFO in any direction. Data in the tFIFO will not be transmitted to the parallel port lines using a hardware protocol handshake. However, data in the tFIFO may be displayed on the parallel port data lines.

The tFIFO will not stall when overwritten or underrun. If an attempt is made to write data to a full tFIFO, the new data is not accepted into the tFIFO. If an attempt is made to read data from an empty tFIFO, the last data byte is re-read again. The full and empty bits must always keep track of the correct FIFO state. The tFIFO will transfer data at the maximum ISA rate so that software may generate performance metrics.

The FIFO size and interrupt threshold can be determined by writing bytes to the FIFO and checking the full and serviceIntr bits.

The writeIntrThreshold can be determined by starting with a full tFIFO, setting the direction bit to 0 and emptying it a byte at a time until serviceIntr is set. This may generate a spurious interrupt, but will indicate that the threshold has been reached.

The readIntrThreshold can be determined by setting the direction bit to 1 and filling the empty tFIFO a byte at a time until serviceIntr is set. This may generate a spurious interrupt, but will indicate that the threshold has been reached.

Data bytes are always read from the head of tFIFO regardless of the value of the direction bit. For example if 44h, 33h, 22h is written to the FIFO, then reading the tFIFO will return 44h, 33h, 22h in the same order as was written.

cnfgA (Configuration Register A)

ADDRESS OFFSET = 400H

Mode = 111

This register is a read only register. When read, 10H is returned. This indicates to the system that this is an 8-bit implementation. (PWord = 1 byte)

cnfgB (Configuration Register B)

ADDRESS OFFSET = 401H

Mode = 111

BIT 7 compress

This bit is read only. During a read it is a low level. This means that this chip does not support hardware RLE compression. It does support hardware de-compression.

BIT 6 intrValue

Returns the value of the interrupt to determine possible conflicts.

BITS [5:3] Parallel Port IRQ (read-only)

Refer to Table 44B.

BITS [2:0] Parallel Port DMA (read-only)

Refer to Table 44C.

ecr (Extended Control Register)

ADDRESS OFFSET = 402H

Mode = all

This register controls the extended ECP parallel port functions.

BITS 7,6,5

These bits are Read/Write and select the Mode.

BIT 4 nErrIntrEn

Read/Write (Valid only in ECP Mode)

- 1: Disables the interrupt generated on the asserting edge of nFault.
- 0: Enables an interrupt pulse on the high to low edge of nFault. Note that an interrupt will be generated if nFault is asserted (interrupting) and this bit is written from a 1 to a 0. This prevents interrupts from being lost in the time between the read of the ecr and the write of the ecr.

BIT 3 dmaEn

Read/Write

- 1: Enables DMA (DMA starts when serviceIntr is 0).
- 0: Disables DMA unconditionally.

BIT 2 serviceIntr

Read/Write

- 1: Disables DMA and all of the service interrupts.
- 0: Enables one of the following 3 cases of interrupts. Once one of the 3 service interrupts has occurred serviceIntr bit shall be set to a 1 by hardware. It must be reset to 0 to re-enable the interrupts. Writing this bit to a 1 will not cause an interrupt.

case dmaEn=1:

During DMA (this bit is set to a 1 when terminal count is reached).

case dmaEn=0 direction=0:

This bit shall be set to 1 whenever there are writeIntrThreshold or more bytes free in the FIFO.

case dmaEn=0 direction=1:

This bit shall be set to 1 whenever there are readIntrThreshold or more valid bytes to be read from the FIFO.

BIT 1 full

Read only

- 1: The FIFO cannot accept another byte or the FIFO is completely full.
- 0: The FIFO has at least 1 free byte.

BIT 0 empty

Read only

- 1: The FIFO is completely empty.
- 0: The FIFO contains at least 1 byte of data.

Table 44A - Extended Control Register

| R/W | MODE |
|------|--|
| 000: | Standard Parallel Port Mode . In this mode the FIFO is reset and common collector drivers are used on the control lines (nStrobe, nAutoFd, nInIt and nSelectIn). Setting the direction bit will not tri-state the output drivers in this mode. |
| 001: | PS/2 Parallel Port Mode. Same as above except that direction may be used to tri-state the data lines and reading the data register returns the value on the data lines and not the value in the data register. All drivers have active pull-ups (push-pull). |
| 010: | Parallel Port FIFO Mode. This is the same as 000 except that bytes are written or DMAed to the FIFO. FIFO data is automatically transmitted using the standard parallel port protocol. Note that this mode is only useful when direction is 0. All drivers have active pull-ups (push-pull). |
| 011: | ECP Parallel Port Mode. In the forward direction (direction is 0) bytes placed into the ecpDFifo and bytes written to the ecpAFifo are placed in a single FIFO and transmitted automatically to the peripheral using ECP Protocol. In the reverse direction (direction is 1) bytes are moved from the ECP parallel port and packed into bytes in the ecpDFifo. All drivers have active pull-ups (push-pull). |
| 100: | Selects EPP Mode: In this mode, EPP is selected if the EPP supported option is selected in configuration register L3-CRF0. All drivers have active pull-ups (push-pull). |
| 101: | Reserved |
| 110: | Test Mode. In this mode the FIFO may be written and read, but the data will not be transmitted on the parallel port. All drivers have active pull-ups (push-pull). |
| 111: | Configuration Mode. In this mode the configA, configB registers are accessible at 0x400 and 0x401. All drivers have active pull-ups (push-pull). |

Table 44B

| IRQ SELECTED | CONFIG REG B BITS 5:3 |
|--------------|-----------------------|
| 15 | 110 |
| 14 | 101 |
| 11 | 100 |
| 10 | 011 |
| 9 | 010 |
| 7 | 001 |
| 5 | 111 |
| All Others | 000 |

Table 44C

| DMA SELECTED | CONFIG REG B BITS 2:0 |
|--------------|-----------------------|
| 3 | 011 |
| 2 | 010 |
| 1 | 001 |
| All Others | 000 |

OPERATION

Mode Switching/Software Control

Software will execute P1284 negotiation and all operation prior to a data transfer phase under programmed I/O control (mode 000 or 001). Hardware provides an automatic control line handshake, moving data between the FIFO and the ECP port only in the data transfer phase (modes 011 or 010).

Setting the mode to 011 or 010 will cause the hardware to initiate data transfer.

If the port is in mode 000 or 001 it may switch to any other mode. If the port is not in mode 000 or 001 it can only be switched into mode 000 or 001. The direction can only be changed in mode 001.

Once in an extended forward mode the software should wait for the FIFO to be empty before switching back to mode 000 or 001. In this case all control signals will be deasserted before the mode switch. In an ecp reverse mode the software waits for all the data to be read from the FIFO before changing back to mode 000 or 001. Since the automatic hardware ecp reverse handshake only cares about the state of the FIFO it may have acquired extra data which will be discarded. It may in fact be in the middle of a transfer when the mode is changed back to 000 or 001. In this case the port will deassert nAutoFd independent of the state of the transfer. The design shall not cause glitches on the handshake signals if the software meets the constraints above.

ECP Operation

Prior to ECP operation the Host must negotiate on the parallel port to determine if the peripheral supports the ECP protocol. This is a somewhat complex negotiation carried out under program control in mode 000.

After negotiation, it is necessary to initialize some of the port bits. The following are required:

Set `Direction = 0`, enabling the drivers.

Set `strobe = 0`, causing the `nStrobe` signal to default to the deasserted state.

Set `autoFd = 0`, causing the `nAutoFd` signal to default to the deasserted state.

Set `mode = 011` (ECP Mode)

ECP address/RLE bytes or data bytes may be sent automatically by writing the `ecpAFifo` or `ecpDFifo` respectively.

Note that all FIFO data transfers are byte wide and byte aligned. Address/RLE transfers are byte-wide and only allowed in the forward direction.

The host may switch directions by first switching to `mode = 001`, negotiating for the forward or reverse channel, setting `direction` to 1 or 0, then setting `mode = 011`. When `direction` is 1 the hardware shall handshake for each ECP read data byte and attempt to fill the FIFO. Bytes may then be read from the `ecpDFifo` as long as it is not empty.

ECP transfers may also be accomplished (albeit slowly) by handshaking individual bytes under program control in `mode = 001`, or `000`.

Termination from ECP Mode

Termination from ECP Mode is similar to the termination from Nibble/Byte Modes. The host is permitted to terminate from ECP Mode only in specific well-defined states. The termination can only be executed while the bus is in the forward direction. To terminate while the channel is in the reverse direction, it must first be transitioned into the forward direction.

Command/Data

ECP Mode supports two advanced features to improve the effectiveness of the protocol for some applications. The features are implemented by allowing the transfer of normal 8 bit data or 8 bit commands.

When in the forward direction, normal data is transferred when `HostAck` is high and an 8 bit command is transferred when `HostAck` is low.

The most significant bit of the command indicates whether it is a run-length count (for compression) or a channel address.

When in the reverse direction, normal data is transferred when `PeriphAck` is high and an 8 bit command is transferred when `PeriphAck` is low. The most significant bit of the command is always zero. Reverse channel addresses are seldom used and may not be supported in hardware.

**Table 45 -
Forward Channel Commands (HostAck Low)
Reverse Channel Commands (PeriphAck Low)**

| D7 | D[6:0] |
|----|---|
| 0 | Run-Length Count (0-127) (mode 0011 0X00 only) |
| 1 | Channel Address (0-127) |

Data Compression

The ECP port supports run length encoded (RLE) decompression in hardware and can transfer compressed data to a peripheral. Run length encoded (RLE) compression in hardware is not supported. To transfer compressed data in ECP mode, the compression count is written to the `ecpAFifo` and the data byte is written to the `ecpDFifo`.

Compression is accomplished by counting identical bytes and transmitting an RLE byte that indicates how many times the next byte is to be repeated. Decompression simply intercepts the RLE byte and repeats the following byte the specified number of times. When a run-length count is received from a peripheral, the subsequent data byte is replicated the specified number of times. A run-length count of zero specifies that only one byte of data is represented by the next data byte, whereas a run-length count of 127 indicates that the next byte should be expanded to 128 bytes. To prevent data expansion, however, run-length counts of zero should be avoided.

Pin Definition

The drivers for nStrobe, nAutoFd, nIntr and nSelectIn are open-collector in mode 000 and are push-pull in all other modes.

LPC Connections

The interface can never stall causing the host to hang. The width of data transfers is strictly controlled on an I/O address basis per this specification. All FIFO-DMA transfers are byte wide, byte aligned and end on a byte boundary. (The PWord value can be obtained by reading Configuration Register A, cnfgA, described in the next section). Single byte wide transfers are always possible with standard or PS/2 mode using program control of the control signals.

Interrupts

The interrupts are enabled by serviceIntr in the ecr register.

serviceIntr = 1 Disables the DMA and all of the service interrupts.

serviceIntr = 0 Enables the selected interrupt condition. If the interrupting condition is valid, then the interrupt is generated immediately when this bit is changed from a 1 to a 0. This can occur during Programmed I/O if the number of bytes removed or added from/to the FIFO does not cross the threshold.

An interrupt is generated when:

1. For DMA transfers: When serviceIntr is 0, dmaEn is 1 and the DMA TC cycle is received.
2. For Programmed I/O:
 - a. When serviceIntr is 0, dmaEn is 0, direction is 0 and there are writeIntrThreshold or more free bytes in the FIFO. Also, an interrupt is generated when serviceIntr is cleared to 0 whenever there are writeIntrThreshold or more free bytes in the FIFO.
 - b.(1) When serviceIntr is 0, dmaEn is 0, direction is 1 and there are readIntrThreshold or more bytes in the FIFO. Also, an interrupt is generated when serviceIntr is cleared to 0 whenever there are readIntrThreshold or more bytes in the FIFO.
3. When nErrIntrEn is 0 and nFault transitions from high to low or when nErrIntrEn is set from 1 to 0 and nFault is asserted.
4. When ackIntEn is 1 and the nAck signal transitions from a low to a high.

FIFO Operation

The FIFO threshold is set in the chip configuration registers. All data transfers to or from the parallel port can proceed in DMA or Programmed I/O (non-DMA) mode as indicated by the selected mode. The FIFO is used by selecting the Parallel Port FIFO mode or ECP Parallel Port Mode. (FIFO test mode will be addressed separately.) After a reset, the FIFO is disabled. Each data byte is transferred by a Programmed I/O cycle or DMA cycle depending on the selection of DMA or Programmed I/O mode.

The following paragraphs detail the operation of the FIFO flow control. In these descriptions, <threshold> ranges from 1 to 16. The parameter FIFOTHR, which the user programs, is one less and ranges from 0 to 15.

A low threshold value (i.e. 2) results in longer periods of time between service requests, but requires faster servicing of the request for both read and write cases. The host must be very responsive to the service request. This is the desired case for use with a "fast" system. A high value of threshold (i.e. 12) is used with a "sluggish" system by affording a long latency period after a service request, but results in more frequent service requests.

DMA TRANSFERS

DMA transfers are always to or from the ecpDFifo, tFifo or CFifo. DMA utilizes the standard PC DMA services. To use the DMA transfers, the host first sets up the direction and state as in the programmed I/O case. Then it programs the DMA controller in the host with the desired count and memory address. Lastly it sets dmaEn to 1 and serviceIntr to 0. The ECP requests DMA transfers from the host by encoding the nLDRQ pin. The DMA will empty or fill the FIFO using the appropriate direction and mode. When the terminal count in the DMA controller is reached, an interrupt is generated and serviceIntr is asserted, disabling DMA. In order to prevent possible blocking of refresh requests a DMA cycle shall not be requested for more than 32 DMA cycles in a row. The FIFO is enabled directly by the host initiating a DMA cycle for the requested channel, and addresses need not be valid. An interrupt is generated when a TC cycle is received. (Note: The only way to properly terminate DMA transfers is with a TC cycle.)

DMA may be disabled in the middle of a transfer by first disabling the host DMA controller. Then setting `serviceIntr` to 1, followed by setting `dmaEn` to 0, and waiting for the FIFO to become empty or full. Restarting the DMA is accomplished by enabling DMA in the host, setting `dmaEn` to 1, followed by setting `serviceIntr` to 0.

DMA Mode - Transfers from the FIFO to the Host

(Note: In the reverse mode, the peripheral may not continue to fill the FIFO if it runs out of data to transfer, even if the chip continues to request more data from the peripheral.)

The ECP requests a DMA cycle whenever there is data in the FIFO. The DMA controller must respond to the request by reading data from the FIFO. The ECP stops requesting DMA cycles when the FIFO becomes empty or when a TC cycle is received, indicating that no more data is required. If the ECP stops requesting DMA cycles due to the FIFO going empty, then a DMA cycle is requested again as soon as there is one byte in the FIFO. If the ECP stops requesting DMA cycles due to the TC cycle, then a DMA cycle is requested again when there is one byte in the FIFO, and `serviceIntr` has been re-enabled.

Programmed I/O Mode or Non-DMA Mode

The ECP or parallel port FIFOs may also be operated using interrupt driven programmed I/O. Software can determine the `writeIntrThreshold`, `readIntrThreshold`, and FIFO depth by accessing the FIFO in Test Mode.

Programmed I/O transfers are to the `ecpDFifo` at 400H and `ecpAFifo` at 000H or from the `ecpDFifo` located at 400H, or to/from the `tFifo` at 400H. To use the programmed I/O transfers, the host first sets up the direction and state, sets `dmaEn` to 0 and `serviceIntr` to 0.

The ECP requests programmed I/O transfers from the host by activating the interrupt. The programmed I/O will empty or fill the FIFO using the appropriate direction and mode.

Note: A threshold of 16 is equivalent to a threshold of 15. These two cases are treated the same.

Programmed I/O - Transfers from the FIFO to the Host

In the reverse direction an interrupt occurs when `serviceIntr` is 0 and `readIntrThreshold` bytes are available in the FIFO. If at this time the FIFO is full it can be emptied completely in a single burst, otherwise `readIntrThreshold` bytes may be read from the FIFO in a single burst.

`ReadIntrThreshold` = (16-`<threshold>`) data bytes in FIFO

An interrupt is generated when `serviceIntr` is 0 and the number of bytes in the FIFO is greater than or equal to (16-`<threshold>`). (If the threshold = 12, then the interrupt is set whenever there are 4-16 bytes in the FIFO). The host must respond to the request by reading data from the FIFO. This process is repeated until the last byte is transferred out of the FIFO. If at this time the FIFO is full, it can be completely emptied in a single burst, otherwise a minimum of (16-`<threshold>`) bytes may be read from the FIFO in a single burst.

Programmed I/O - Transfers from the Host to the FIFO

In the forward direction an interrupt occurs when `serviceIntr` is 0 and there are `writeIntrThreshold` or more bytes free in the FIFO. At this time if the FIFO is empty it can be filled with a single burst before the empty bit needs to be re-read. Otherwise it may be filled with `writeIntrThreshold` bytes.

`writeIntrThreshold` = (16-`<threshold>`) free bytes in FIFO

An interrupt is generated when `serviceIntr` is 0 and the number of bytes in the FIFO is less than or equal to `<threshold>`. (If the threshold = 12, then the interrupt is set whenever there are 12 or less bytes of data in the FIFO.) The host must respond to the request by writing data to the FIFO. If at this time the FIFO is empty, it can be completely filled in a single burst, otherwise a minimum of (16-`<threshold>`) bytes may be written to the FIFO in a single burst. This process is repeated until the last byte is transferred into the FIFO.

POWER MANAGEMENT

Power management capabilities are provided for the following logical devices: floppy disk, UART 1, UART 2 and the parallel port. For each logical device, two types of power management are provided: direct powerdown and auto powerdown.

FDC Power Management

Direct power management is controlled by CR22. Refer to CR22 for more information.

Auto Power Management is enabled by CR23-B0. When set, this bit allows FDC to enter powerdown when all of the following conditions have been met:

1. The motor enable pins of register 3F2H are inactive (zero).
2. The part must be idle; MSR=80H and INT = 0 (INT may be high even if MSR = 80H due to polling interrupts).
3. The head unload timer must have expired.
4. The Auto powerdown timer (10msec) must have timed out.

An internal timer is initiated as soon as the auto powerdown command is enabled. The part is then powered down when all the conditions are met.

Disabling the auto powerdown mode cancels the timer and holds the FDC block out of auto powerdown.

DSR From Powerdown

If DSR powerdown is used when the part is in auto powerdown, the DSR powerdown will override the auto powerdown. However, when the part is awakened from DSR powerdown, the auto powerdown will once again become effective.

Wake Up From Auto Powerdown

If the part enters the powerdown state through the auto powerdown mode, then the part can be awakened by reset or by appropriate access to certain registers.

If a hardware or software reset is used then the part will go through the normal reset sequence. If the access is through the selected registers, then the FDC resumes operation as though it was never in powerdown. Besides activating the nPCI_RESET pin or one of the software reset bits in the DOR or DSR, the following register accesses will wake up the part:

1. Enabling any one of the motor enable bits in the DOR register (reading the DOR does not awaken the part).
2. A read from the MSR register.
3. A read or write to the Data register.

Once awake, the FDC will reinitiate the auto powerdown timer for 10 ms. The part will powerdown again when all the powerdown conditions are satisfied.

Register Behavior

Table 48 illustrates the AT and PS/2 (including Model 30) configuration registers available and the type of access permitted. In order to maintain software transparency, access to all the registers must be maintained. As Table 49 shows, two sets of registers are distinguished based on whether their access results in the part remaining in powerdown state or exiting it.

Access to all other registers is possible without awakening the part. These registers can be accessed during powerdown without changing the status of the part. A read from these registers will reflect the true status as shown in the register description in the FDC description. A write to the part will result in the part retaining the data and subsequently reflecting it when the part awakens. Accessing the part during powerdown may cause an increase in

the power consumption by the part. The part will revert back to its low power mode when the access has been completed.

Pin Behavior

The LPC47M10x is specifically designed for systems in which power conservation is a primary concern. This makes the behavior of the pins during powerdown very important.

The pins of the LPC47M10x can be divided into two major categories: system interface and floppy disk drive interface. The floppy disk drive pins are disabled so that no power will be drawn through the part as a result of any voltage applied to the pin within the part's power supply range. Most of the system interface pins are left active to monitor system accesses that may wake up the part.

Table 48 - PC/AT and PS/2 Available Registers

| BASE + ADDRESS | AVAILABLE REGISTERS | | ACCESS PERMITTED |
|---|---------------------|-----------------|------------------|
| | PC-AT | PS/2 (MODEL 30) | |
| Access to these registers DOES NOT wake up the part | | | |
| 00H | ---- | SRA | R |
| 01H | ---- | SRB | R |
| 02H | DOR (1) | DOR (1) | R/W |
| 03H | --- | --- | --- |
| 04H | DSR (1) | DSR (1) | W |
| 06H | --- | --- | --- |
| 07H | DIR | DIR | R |
| 07H | CCR | CCR | W |
| Access to these registers wakes up the part | | | |
| 04H | MSR | MSR | R |
| 05H | Data | Data | R/W |

Note 1: Writing to the DOR or DSR does not wake up the part, however, writing any of the motor enable bits or doing a software reset (via DOR or DSR reset bits) will wake up the part.

System Interface Pins

Table 49 gives the state of the interface pins in the powerdown state. Pins unaffected by the powerdown are labeled "Unchanged".

Table 49 – State of System Pins in Auto Powerdown

| SYSTEM PINS | STATE IN AUTO POWERDOWN |
|-------------|-------------------------|
| LAD[3:0] | Unchanged |
| nLDRQ | Unchanged |
| nLPCPD | Unchanged |
| nLFRAME | Unchanged |
| nPCI_RESET | Unchanged |
| PCI_CLK | Unchanged |
| SER_IRQ | Unchanged |

FDD Interface Pins

All pins in the FDD interface which can be connected directly to the floppy disk drive itself are either DISABLED or TRISTATED.

Pins used for local logic control or part programming are unaffected. Table 50 depicts the state of the floppy disk drive interface pins in the powerdown state.

Table 50 - State of Floppy Disk Drive Interface Pins in Powerdown

| FDD PINS | STATE IN AUTO POWERDOWN |
|--------------------|-------------------------|
| INPUT PINS | |
| nRDATA | Input |
| nWRTPRT | Input |
| nTRK0 | Input |
| nINDEX | Input |
| nDSKCHG | Input |
| OUTPUT PINS | |
| nMTR0 | Tristated |
| nDS0 | Tristated |
| nDIR | Active |
| nSTEP | Active |
| nWDATA | Tristated |
| nWGATE | Tristated |
| nHDSEL | Active |
| DRV DEN[0:1] | Active |

UART Power Management

Direct power management is controlled by CR22. Refer to CR22 for more information.

Auto Power Management is enabled by CR23-B4 and B5. When set, these bits allow the following auto power management operations:

1. The transmitter enters auto powerdown when the transmit buffer and shift register are empty.
2. The receiver enters powerdown when the following conditions are all met:
 - A. Receive FIFO is empty
 - B. The receiver is waiting for a start bit.

Note: While in powerdown the Ring Indicator interrupt is still valid and transitions when the RI input changes.

Exit Auto Powerdown

The transmitter exits powerdown on a write to the XMIT buffer. The receiver exits auto powerdown when RXDx changes state.

Parallel Port

Direct power management is controlled by CR22. Refer to CR22 for more information.

Auto Power Management is enabled by CR23-B3. When set, this bit allows the ECP or EPP logical parallel port blocks to be placed into powerdown when not being used.

The EPP logic is in powerdown under any of the following conditions:

1. EPP is not enabled in the configuration registers.
2. EPP is not selected through ecr while in ECP mode.

The ECP logic is in powerdown under any of the following conditions:

1. ECP is not enabled in the configuration registers.
2. SPP, PS/2 Parallel port or EPP mode is selected through ecr while in ECP mode.

Exit Auto Powerdown

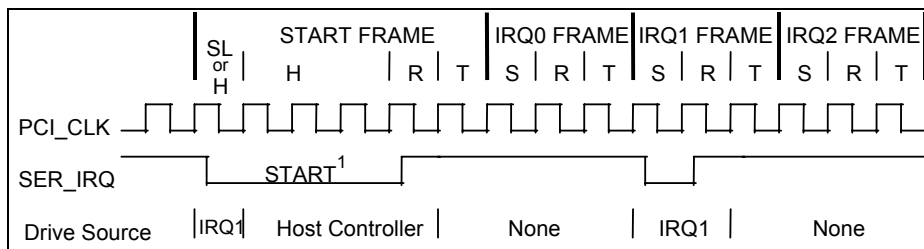
The parallel port logic can change powerdown modes when the ECP mode is changed through the ecr register or when the parallel port mode is changed through the configuration registers.

SERIAL IRQ

The LPC47M10x supports the serial interrupt to transmit interrupt information to the host system. The serial interrupt scheme adheres to the Serial IRQ Specification for PCI Systems, Version 6.0.

Timing Diagrams for SER_IRQ Cycle

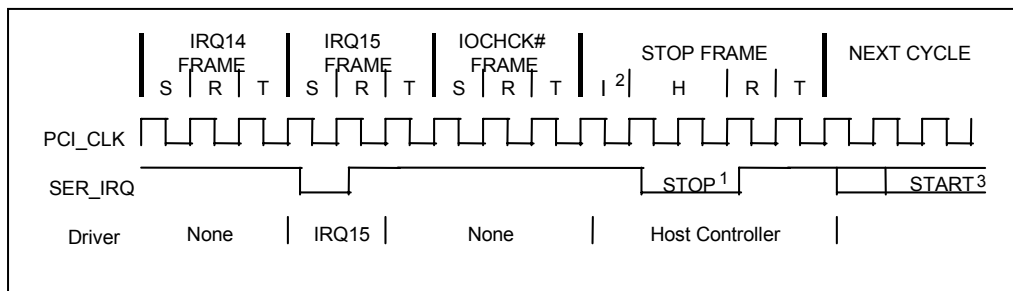
A) Start Frame timing with source sampled a low pulse on IRQ1



Note: H=Host Control; R=Recovery; T=Turn-Around; SL=Slave Control; S=Sample

Note 1: Start Frame pulse can be 4-8 clocks wide depending on the location of the device in the PCI bridge hierarchy in a synchronous bridge design.

B) Stop Frame Timing with Host using 17 SER_IRQ sampling period.



Note: H=Host Control; R=Recovery; T=Turn-Around; S=Sample; I=Idle

Note 1: The next SER_IRQ cycle's Start Frame pulse may or may not start immediately after the turn-around clock of the Stop Frame.

Note 2: There may be none, one or more Idle states during the Stop Frame.

Note 3: Stop pulse is 2 clocks wide for Quiet mode, 3 clocks wide for Continuous mode.

SER_IRQ Cycle Control

There are two modes of operation for the SER_IRQ Start Frame.

1) **Quiet (Active) Mode:** Any device may initiate a Start Frame by driving the SER_IRQ low for one clock, while the SER_IRQ is Idle. After driving low for one clock the SER_IRQ must immediately be tri-stated without at any time driving high. A Start Frame may not be initiated while the SER_IRQ is Active. The SER_IRQ is Idle between Stop and Start Frames. The SER_IRQ is Active between Start and Stop Frames. This mode of operation allows the SER_IRQ to be Idle when there are no IRQ/Data transitions which should be most of the time.

Once a Start Frame has been initiated the Host Controller will take over driving the SER_IRQ low in the next clock and will continue driving the SER_IRQ low for a programmable period of three to seven clocks. This makes a total low pulse width of four to eight clocks. Finally, the Host Controller will drive the SER_IRQ back high for one clock, then tri-state.

Any SER_IRQ Device (i.e., The LPC47M10x) which detects any transition on an IRQ/Data line for which it is responsible must initiate a Start Frame in order to update the Host Controller unless the SER_IRQ is already in an SER_IRQ Cycle and the IRQ/Data transition can be delivered in that SER_IRQ Cycle.

2) **Continuous (Idle) Mode:** Only the Host controller can initiate a Start Frame to update IRQ/Data line information. All other SER_IRQ agents become passive and may not initiate a Start Frame. SER_IRQ will be driven low for four to eight clocks by Host Controller. This mode has two functions. It can be used to stop or idle the SER_IRQ or the Host Controller can operate SER_IRQ in a continuous mode by initiating a Start Frame at the end of every Stop Frame.

An SER_IRQ mode transition can only occur during the Stop Frame. **Upon reset, SER_IRQ bus is defaulted to Continuous mode, therefore only the Host controller can initiate the first Start Frame. Slaves must continuously sample the Stop Frames pulse width to determine the next SER_IRQ Cycle's mode.**

SER_IRQ Data Frame

Once a Start Frame has been initiated, the LPC47M10x will watch for the rising edge of the Start Pulse and start counting IRQ/Data Frames from there. Each IRQ/Data Frame is three clocks: Sample phase, Recovery phase, and Turn-around phase. During the Sample phase the LPC47M10x must drive the SER_IRQ low, if and only if, its last detected IRQ/Data value was low. If its detected IRQ/Data value is high, SER_IRQ must be left tri-stated. During the Recovery phase the LPC47M10x must drive the SER_IRQ high, if and only if, it had driven the SER_IRQ low during the previous Sample Phase. During the Turn-around Phase the LPC47M10x must tri-state the SER_IRQ. The LPC47M10x will drive the SER_IRQ line low at the appropriate sample point if its associated IRQ/Data line is low, regardless of which device initiated the Start Frame.

The Sample Phase for each IRQ/Data follows the low to high transition of the Start Frame pulse by a number of clocks equal to the IRQ/Data Frame times three, minus one. (e.g. The IRQ5 Sample clock is the sixth IRQ/Data Frame, $(6 \times 3) - 1 = 17$ th clock after the rising edge of the Start Pulse).

SER_IRQ Sampling Periods

| SER_IRQ PERIOD | SIGNAL SAMPLED | # OF CLOCKS PAST START |
|----------------|----------------|------------------------|
| 1 | Not Used | 2 |
| 2 | IRQ1 | 5 |
| 3 | nIO_SMI/IRQ2 | 8 |
| 4 | IRQ3 | 11 |
| 5 | IRQ4 | 14 |
| 6 | IRQ5 | 17 |
| 7 | IRQ6 | 20 |
| 8 | IRQ7 | 23 |
| 9 | IRQ8 | 26 |
| 10 | IRQ9 | 29 |
| 11 | IRQ10 | 32 |
| 12 | IRQ11 | 35 |
| 13 | IRQ12 | 38 |
| 14 | IRQ13 | 41 |
| 15 | IRQ14 | 44 |
| 16 | IRQ15 | 47 |

The SER_IRQ data frame will now support IRQ2 from a logical device, previously SER_IRQ Period 3 was reserved for use by the System Management Interrupt (nSMI). When using Period 3 for IRQ2 the user should mask off the SMI via the SMI Enable Register. Likewise, when using Period 3 for nSMI the user should not configure any logical devices as using IRQ2.

SER_IRQ Period 14 is used to transfer IRQ13. Logical devices 0 (FDC), 3 (Par Port), 4 (Ser Port 1), 5 (Ser Port 2), and 7 (KBD) shall have IRQ13 as a choice for their primary interrupt.

The SMI is enabled onto the SMI frame of the Serial IRQ via bit 6 of SMI Enable Register 2 and onto the SMI pin via bit 7 of the SMI Enable Register 2.

Stop Cycle Control

Once all IRQ/Data Frames have completed the Host Controller will terminate SER_IRQ activity by initiating a Stop Frame. Only the Host Controller can initiate the Stop Frame. A Stop Frame is indicated when the SER_IRQ is low for two or three clocks. If the Stop Frame's low time is two clocks then the next SER_IRQ Cycle's sampled mode is the Quiet mode; and any SER_IRQ device may initiate a Start Frame in the second clock or more after the rising edge of the Stop Frame's pulse. If the Stop Frame's low time is three clocks then the next SER_IRQ Cycle's sampled mode is the Continuous mode; and only the Host Controller may initiate a Start Frame in the second clock or more after the rising edge of the Stop Frame's pulse.

Latency

Latency for IRQ/Data updates over the SER_IRQ bus in bridge-less systems with the minimum Host supported IRQ/Data Frames of 17, will range up to 96 clocks (3.84 μ S with a 25MHz PCI Bus or 2.88 μ S with a 33MHz PCI Bus). If one or more PCI to PCI Bridge is added to a system, the latency for IRQ/Data updates from the secondary or tertiary buses will be a few clocks longer for synchronous buses, and approximately double for asynchronous buses.

EOI/ISR Read Latency

Any serialized IRQ scheme has a potential implementation issue related to IRQ latency. IRQ latency could cause an EOI or ISR Read to precede an IRQ transition that it should have followed. This could cause a system fault. The host interrupt controller is responsible for ensuring that these latency issues are mitigated. The recommended solution is to delay EOIs and ISR Reads to the interrupt controller by the same amount as the SER_IRQ Cycle latency in order to ensure that these events do not occur out of order.

AC/DC Specification Issue

All SER_IRQ agents must drive / sample SER_IRQ synchronously related to the rising edge of PCI bus clock. The SER_IRQ pin uses the electrical specification of PCI bus. Electrical parameters will follow PCI spec. section 4, sustained tri-state.

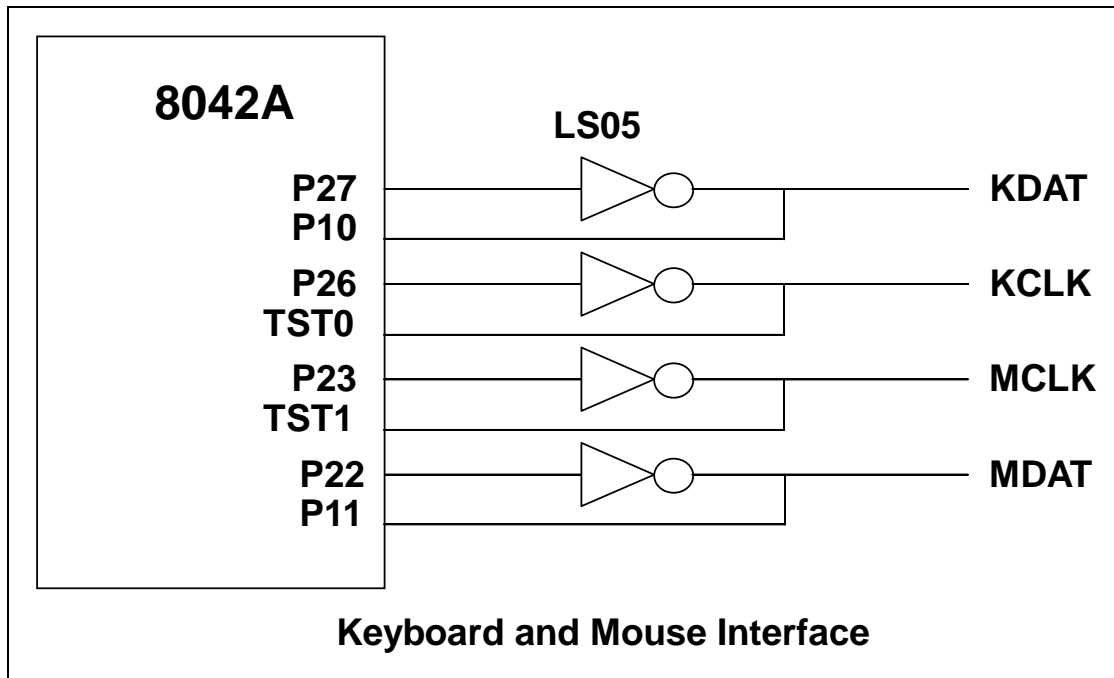
Reset and Initialization

The SER_IRQ bus uses nPCI_RESET as its reset signal. The SER_IRQ pin is tri-stated by all agents while nPCI_RESET is active. With reset, SER_IRQ Slaves are put into the (continuous) IDLE mode. The Host Controller is responsible for starting the initial SER_IRQ Cycle to collect system's IRQ/Data default values. The system then follows with the Continuous/Quiet mode protocol (Stop Frame pulse width) for subsequent SER_IRQ Cycles. It is Host Controller's responsibility to provide the default values to 8259's and other system logic before the first SER_IRQ Cycle is performed. For SER_IRQ system suspend, insertion, or removal application, the Host controller should be programmed into Continuous (IDLE) mode first. This is to guarantee SER_IRQ bus is in IDLE state before the system configuration changes.

8042 KEYBOARD CONTROLLER DESCRIPTION

The LPC47M10x is a Super I/O and Universal Keyboard Controller that is designed for intelligent keyboard management in desktop computer applications.

The Universal Keyboard Controller uses an 8042 microcontroller CPU core. This section concentrates on the LPC47M10x enhancements to the 8042. For general information about the 8042, refer to the "Hardware Description of the 8042" in the 8-Bit Embedded Controller Handbook.



KIRQ is the Keyboard IRQ

MIRQ is the Mouse IRQ

Port 21 is used to create a GATEA20 signal from the LPC47M10x.

KEYBOARD INTERFACE

The LPC47M10x LPC interface is functionally compatible with the 8042 style host interface. It consists of the D0-7 data signals; the read and write signals and the Status register, Input Data register, and Output

Data register. Table 51 shows how the interface decodes the control signals. In addition to the above signals, the host interface includes keyboard and mouse IRQs.

Table 51 - I/O Address Map

| ADDRESS | Command | BLOCK | FUNCTION (NOTE 1) |
|---------|---------|-------|--------------------------------|
| 0x60 | Write | KDATA | Keyboard Data Write (C/D=0) |
| | Read | KDATA | Keyboard Data Read |
| 0x64 | Write | KDCTL | Keyboard Command Write (C/D=1) |
| | Read | KDCTL | Keyboard Status Read |

Note 1: These registers consist of three separate 8 bit registers. Status, Data/Command Write and Data Read.

Keyboard Data Write

This is an 8 bit write only register. When written, the C/D status bit of the status register is cleared to zero and the IBF bit is set.

Keyboard Data Read

This is an 8 bit read only register. If enabled by "ENABLE FLAGS", when read, the KIRQ output is cleared and the OBF flag in the status register is cleared. If not enabled, the KIRQ and/or AUXOBF1 must be cleared in software.

Keyboard Command Write

This is an 8 bit write only register. When written, the C/D status bit of the status register is set to one and the IBF bit is set.

Keyboard Status Read

This is an 8 bit read only register. Refer to the description of the Status Register for more information.

CPU-to-Host Communication

The LPC47M10x CPU can write to the Output Data register via register DBB. A write to this register automatically sets Bit 0 (OBF) in the Status register. See Table 52.

Table 52 - Host Interface Flags

| 8042 INSTRUCTION | FLAG |
|------------------|--|
| OUT DBB | Set OBF, and, if enabled, the KIRQ output signal goes high |

Host-to-CPU Communication

The host system can send both commands and data to the Input Data register. The CPU differentiates between commands and data by reading the value of Bit 3 of the Status register. When bit 3 is "1", the CPU interprets the register contents as a command. When bit 3 is "0", the CPU interprets the register contents as data. During a host write operation, bit 3 is set to "1" if SA2 = 1 or reset to "0" if SA2 = 0.

KIRQ

If "EN FLAGS" has been executed and P24 is set to a one: the OBF flag is gated onto KIRQ. The KIRQ signal can be connected to system interrupt to signify that the LPC47M10x CPU has written to the output data register via "OUT DBB,A". If P24 is set to a zero, KIRQ is forced low. On power-up, after a valid RST pulse has been delivered to the device, KIRQ is reset to 0. KIRQ will normally reflect the status of writes "DBB". (KIRQ is normally selected as IRQ1 for keyboard support.)

If "EN FLAGS" has not been executed: KIRQ can be controlled by writing to P24. Writing a zero to P24 forces KIRQ low; a high forces KIRQ high.

MIRQ

If "EN FLAGS" has been executed and P25 is set to a one; IBF is inverted and gated onto MIRQ. The MIRQ signal can be connected to system interrupt to signify that the LPC47M10x CPU has read the DBB register. If "EN FLAGS" has not

been executed, MIRQ is controlled by P25, Writing a zero to P25 forces MIRQ low, a high forces MIRQ high. (MIRQ is normally selected as IRQ12 for mouse support).

Gate A20

A general purpose P21 is used as a software controlled Gate A20 or user defined output.

8042 PINS

The 8042 functions P17, P16 and P12 are implemented as in a true 8042 part. Reference the 8042 spec for all timing. A port signal of 0 drives the output to 0. A port signal of 1 causes the port enable signal to drive the output to 1 within 20-30nsec. After 500nsec (six 8042 clocks) the port enable goes away and the external pull-up maintains the output signal as 1.

In 8042 mode, the pins can be programmed as open drain. When programmed in open drain mode, the port enables do not come into play. If the port signal is 0 the output will be 0. If the port signal is 1, the output tristates: an external pull-up can pull the pin high, and the pin can be shared. In 8042 mode, the pins cannot be programmed as input nor inverted through the GP configuration registers.

EXTERNAL KEYBOARD AND MOUSE INTERFACE

Industry-standard PC-AT-compatible keyboards employ a two-wire, bidirectional TTL interface for data transmission. Several sources also supply PS/2 mouse products that employ the same type of interface. To facilitate system expansion, the LPC47M10x provides four signal pins that may be used to implement this interface directly for an external keyboard and mouse.

The LPC47M10x has four high-drive, open-drain output, bidirectional port pins that can be used for external serial interfaces, such as external keyboard and PS/2-type mouse interfaces. They are KCLK, KDAT, MCLK, and MDAT. P26 is inverted and output as KCLK. The KCLK pin is connected to TEST0. P27 is inverted and output as KDAT. The KDAT pin is connected to P10. P23 is inverted and output as MCLK. The MCLK pin is connected to TEST1. P22 is inverted and output as MDAT. The MDAT pin is connected to P11. NOTE: External pull-ups may be required.

KEYBOARD POWER MANAGEMENT

The keyboard provides support for two power-saving modes: soft powerdown mode and hard powerdown mode. In soft powerdown mode, the clock to the ALU is stopped but the timer/counter and interrupts are still active. In hard power down mode the clock to the 8042 is stopped.

Soft Power Down Mode

This mode is entered by executing a HALT instruction. The execution of program code is halted until either RESET is driven active or a data byte is written to the DBBIN register by a master CPU. If this mode is exited using the interrupt, and the IBF interrupt is enabled, then program execution resumes with a CALL to the interrupt routine, otherwise the next instruction is executed. If it is exited using RESET then a normal reset sequence is initiated and program execution starts from program memory location 0.

Hard Power Down Mode

This mode is entered by executing a STOP instruction. The oscillator is stopped by disabling the oscillator driver cell. When either RESET is driven active or a data byte is written to the DBBIN register by a master CPU, this mode will be exited (as above). However, as the oscillator cell will require an initialization time, either RESET must be held active for sufficient time to allow the oscillator to stabilize. Program execution will resume as above.

INTERRUPTS

The LPC47M10x provides the two 8042 interrupts: IBF and the Timer/Counter Overflow.

MEMORY CONFIGURATIONS

The LPC47M10x provides 2K of on-chip ROM and 256 bytes of on-chip RAM.

Register Definitions

Host I/F Data Register

The Input Data register and Output Data register are each 8 bits wide. A write to this 8 bit register will load the Keyboard Data Read Buffer, set the OBF flag and set the KIRQ output if enabled. A read of this register will read the data from the Keyboard Data or Command Write Buffer and clear the IBF flag. Refer to the KIRQ and Status register descriptions for more information.

Host I/F Status Register

The Status register is 8 bits wide. Table 53 shows the contents of the Status register.

Table 53 - Status Register

| D7 | D6 | D5 | D4 | D3 | D2 | D1 | D0 |
|----|----|----|----|-----|----|-----|-----|
| UD | UD | UD | UD | C/D | UD | IBF | OBF |

Status Register

This register is cleared on a reset. This register is read-only for the Host and read/write by the LPC47M10x CPU.

UD Writable by LPC47M10x CPU. These bits are user-definable.

C/D (Command Data)-This bit specifies whether the input data register contains data or a command (0 = data, 1 = command). During a host data/command write operation, this bit is set to "1" if SA2 = 1 or reset to "0" if SA2 = 0.

IBF (Input Buffer Full)- This flag is set to 1 whenever the host system writes data into the input data register. Setting this flag activates the LPC47M10x CPU's nIBF (MIRQ) interrupt if enabled. When the LPC47M10x CPU reads the input data register (DBB), this bit is automatically reset and the interrupt is cleared. There is no output pin associated with this internal signal.

OBF (Output Buffer Full) - This flag is set to whenever the LPC47M10x CPU write to the output data register (DBB). When the host system reads the output data register, this bit is automatically reset.

EXTERNAL CLOCK SIGNAL

The LPC47M10x Keyboard Controller clock source is a 12 MHz clock generated from a 14.318 MHz clock. The reset pulse must last for at least 24 16 MHz clock periods. The pulse-width requirement applies to both internally (Vcc POR) and externally generated reset signals. In powerdown mode, the external clock signal is not loaded by the chip.

DEFAULT RESET CONDITIONS

The LPC47M10x has one source of hardware reset: an external reset via the nPCI_RESET pin. Refer to Table 46 for the effect of each type of reset on the internal registers.

Table 54 - Resets

| DESCRIPTION | HARDWARE RESET (nPCI_RESET) |
|---------------------|-----------------------------|
| KCLK | Low |
| KDAT | Low |
| MCLK | Low |
| MDAT | Low |
| Host I/F Data Reg | N/A |
| Host I/F Status Reg | 00H |

N/A: Not Applicable

GATEA20 AND KEYBOARD RESET

The LPC47M10x provides two options for GateA20 and Keyboard Reset: 8042 Software Generated GateA20 and KRESET and Port 92 Fast GateA20 and KRESET.

PORT 92 FAST GATEA20 AND KEYBOARD RESET

Port 92 Register

This port can only be read or written if Port 92 has been enabled via bit 2 of the KRST_GA20.

Register (Logical Device 7, 0xF0) set to 1.

This register is used to support the alternate reset (nALT_RST) and alternate A20 (ALT_A20) functions.

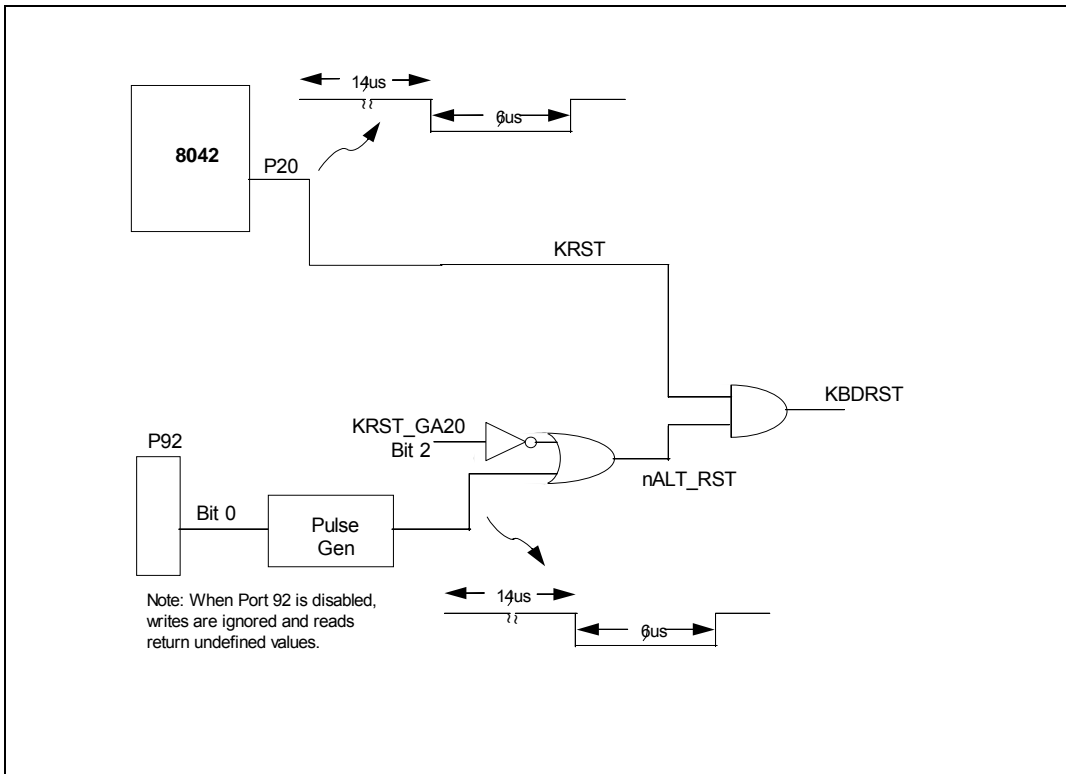
| | |
|---------------|------------|
| Name | Port 92 |
| Location | 92h |
| Default Value | 24h |
| Attribute | Read/Write |
| Size | 8 bits |

| Port 92 Register | |
|------------------|--|
| Bit | Function |
| 7:6 | Reserved. Returns 00 when read |
| 5 | Reserved. Returns a 1 when read |
| 4 | Reserved. Returns a 0 when read |
| 3 | Reserved. Returns a 0 when read |
| 2 | Reserved. Returns a 1 when read |
| 1 | ALT_A20 Signal control. Writing a 0 to this bit causes the ALT_A20 signal to be driven low. Writing a 1 to this bit causes the ALT_A20 signal to be driven high. |
| 0 | Alternate System Reset. This read/write bit provides an alternate system reset function. This function provides an alternate means to reset the system CPU to effect a mode switch from Protected Virtual Address Mode to the Real Address Mode. This provides a faster means of reset than is provided by the Keyboard controller. This bit is set to a 0 by a system reset. Writing a 1 to this bit will cause the nALT_RST signal to pulse active (low) for a minimum of 1 μ s after a delay of 500 ns. Before another nALT_RST pulse can be generated, this bit must be written back to a 0. |

| nGATEA20 | | |
|----------|---------|--------------|
| 8042 P21 | ALT_A20 | System nA20M |
| 0 | 0 | 0 |
| 0 | 1 | 1 |
| 1 | 0 | 1 |
| 1 | 1 | 1 |

Bit 0 of Port 92, which generates the nALT_RST signal, is used to reset the CPU under program control. This signal is AND'ed together externally with the reset signal (nKBDRST) from the keyboard controller to provide a software means of resetting the CPU. This provides a faster means of reset than is provided by the keyboard controller. Writing a 1 to bit 0 in the Port 92 Register causes this signal to pulse low for a minimum of 6 μ s, after a delay of a minimum of 14 μ s. Before another nALT_RST pulse can be generated, bit 0 must be set to 0 either by a system reset of a write to Port 92. Upon reset, this signal is driven inactive high (bit 0 in the Port 92 Register is set to 0).

If Port 92 is enabled, i.e., bit 2 of KRST_GA20 is set to 1, then a pulse is generated by writing a 1 to bit 0 of the Port 92 Register and this pulse is AND'ed with the pulse generated from the 8042. This pulse is output on pin KRESET and its polarity is controlled by the GPI/O polarity configuration.



Bit 1 of Port 92, the ALT_A20 signal, is used to force nA20M to the CPU low for support of real mode compatible software. This signal is externally OR'ed with the A20GATE signal from the keyboard controller and CPURST to control the nA20M input of the CPU. Writing a 0 to bit 1 of the Port 92 Register forces ALT_A20 low. ALT_A20 low drives nA20M to the CPU low, if A20GATE from the keyboard controller is also low. Writing a 1 to bit 1 of the Port 92 Register forces ALT_A20 high. ALT_A20 high drives nA20M to the CPU high, regardless of the state of A20GATE from the keyboard controller. Upon reset, this signal is driven low.

Latches On Keyboard and Mouse IRQs

The implementation of the latches on the keyboard and mouse interrupts is shown below.

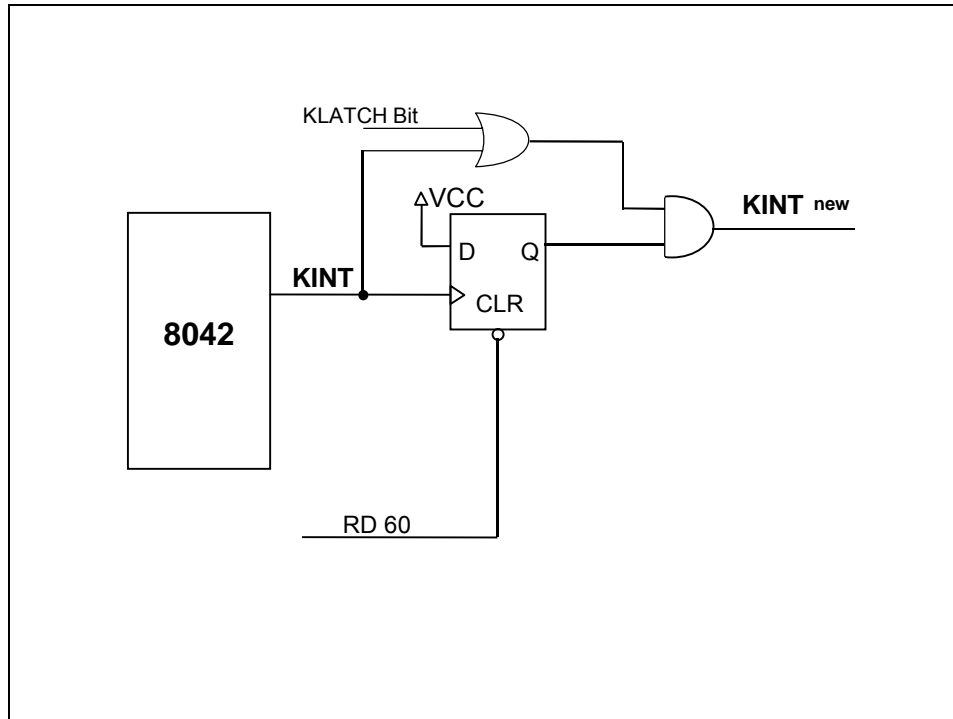


FIGURE 5 – KEYBOARD LATCH

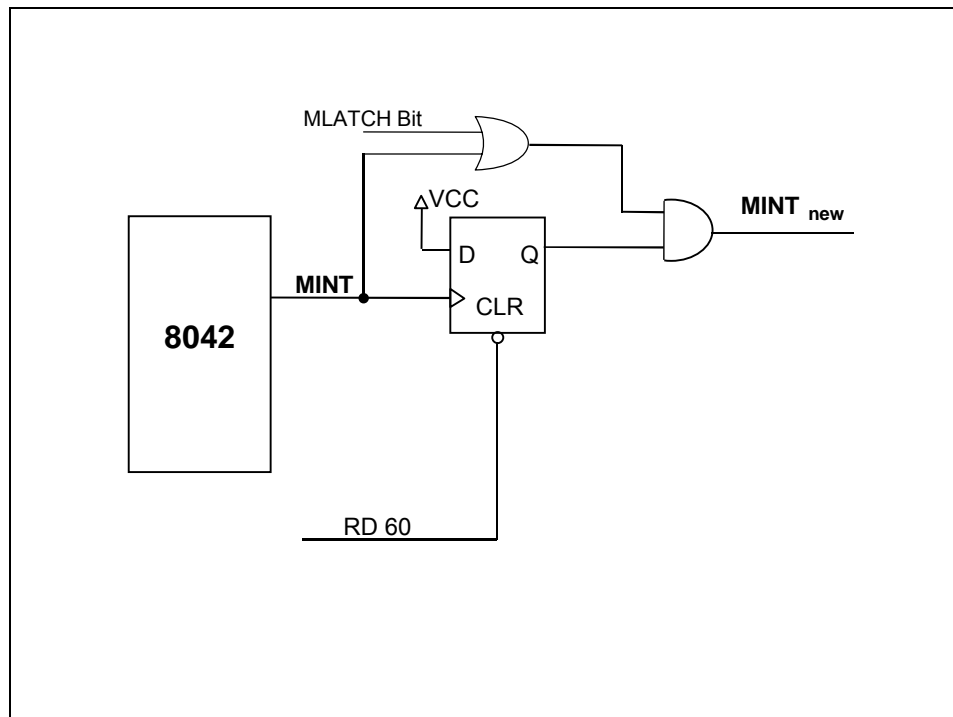


FIGURE 6 – MOUSE LATCH

The KLATCH and MLATCH bits are located in the KRST_GA20 register, in Logical Device 7 at 0xF0.

These bits are defined as follows:

Bit[4]: MLATCH – Mouse Interrupt latch control bit. 0=MINT is the 8042 MINT ANDed with Latched MINT (default), 1=MINT is the latched 8042 MINT.

Bit[3]: KLATCH – Keyboard Interrupt latch control bit. 0=KINT is the 8042 KINT ANDed with Latched KINT (default), 1=KINT is the latched 8042 KINT.

See the Configuration section for a description of this register.

Keyboard and Mouse PME Generation

The LPC47M10x sets the associated PME Status bits when the following conditions occur:

- Keyboard Interrupt
- Mouse Interrupt
- Active Edge on Keyboard Data Signal (KDAT)
- Active Edge on Mouse Data Signal (MDAT)

These events can cause a PME to be generated if the associated PME Wake Enable register bit and the global PME_EN bit are set. Refer to the PME Support section for more details on the PME interface logic and refer to the Runtime Register section for details on the PME Status and Enable registers.

The keyboard interrupt and mouse interrupt PMEs can be generated when the part is powered by VCC. The keyboard data and mouse data PMEs can be generated both when the part is powered by VCC, and when the part is powered by VTR (VCC=0).

When using the keyboard and mouse data signals for wakeup, it may be necessary to isolate the keyboard signals (KCLK, KDAT, MCLK, MDAT) from the 8042 prior to entering certain system sleep states. This is due to the fact that the normal operation of the 8042 can prevent the system from entering a sleep state or trigger false PME events. The LPC47M10x has “isolation” bits for the keyboard and mouse signals, which allow the keyboard and mouse data signals to go into the wakeup logic but block the clock and data signals from the 8042. These bits may be used anytime it is necessary to isolate the 8042 keyboard and mouse signals from the 8042 before entering a system sleep state.

See the SMSC Application Note titled “Using the Enhanced Keyboard and Mouse Wakeup Feature in SMSC Super I/O Parts” for more information.

The bits used to isolate the keyboard and mouse signals from the 8042 are located in Logical Device 7, Register 0xF0 (KRST_GA20) and are defined as follows:

Bit[6] M_ISO. Enables/disables isolation of mouse signals into 8042. Does not affect the MDAT signal to the mouse wakeup (PME) logic.

1=block mouse clock and data signals into 8042

0= do not block mouse clock and data signals into 8042

Bit[5] K_ISO. Enables/disables isolation of keyboard signals into 8042. Does not affect the KDAT signal to the keyboard wakeup (PME) logic.

1=block keyboard clock and data signals into 8042

0= do not block keyboard clock and data signals into 8042

When the keyboard and/or mouse isolation bits are used, it may be necessary to reset the 8042 upon exiting the sleep state. If either of the isolation bits is set prior to entering a sleep state where VCC goes inactive (S3-S5), then the 8042 must be reset upon exiting the sleep mode. Write 0x40 to global configuration register 0x2C to reset the 8042. The 8042 must then be taken out of reset by writing 0x00 to register 0x2C since the bit that resets the 8042 is not self-clearing. Caution: Bit 6 of configuration register 0x2C is used to put the 8042 into reset - do not set any of the other bits in register 0x2C, as this may produce undesired results.

It is not necessary to reset the 8042 if the isolation bits are used for a sleep state where VCC does not go inactive (S1, S2).

GENERAL PURPOSE I/O

The LPC47M10x provides a set of flexible Input/Output control functions to the system designer through the 37 dedicated independently programmable General Purpose I/O pins (GPIO). The GPIO pins can perform basic I/O and many of them can be individually enabled to generate an SMI and a PME.

GPIO Pins

The following pins include GPIO functionality. These pins are defined in the table below. All GPIOs default to the GPIO function except for GP34 and GP35 which default to IRRX2 and IRTX2.

| PIN | NAME |
|-----|--------------------|
| 1 | GP40/DRV DEN0 |
| 2 | GP41/DRV DEN1/EETI |
| 17 | GP42/nIO_PME |
| 28 | GP43/DDRC/EETI |
| 32 | GP10/J1B1 |
| 33 | GP11/J1B2 |
| 34 | GP12/J2B1 |
| 35 | GP13/J2B2 |
| 36 | GP14/J1X |
| 37 | GP15/J1Y |
| 38 | GP16/J2X |
| 39 | GP17/J2Y |
| 41 | GP20/P17 |
| 42 | GP21/P16/EETI |
| 43 | GP22/P12/EETI |
| 45 | GP24 (SYSOPT) |
| 46 | GP25/MIDI_IN |
| 47 | GP26/MIDI_OUT |
| 48 | GP60/LED1/EETI |
| 49 | GP61/LED2/EETI |
| 50 | GP27/nIO_SMI |
| 51 | GP30/FAN_TACH2 |
| 52 | GP31/FAN_TACH1 |
| 54 | GP32/FAN2 |
| 55 | GP33/FAN1 |
| 61 | IRRX2/GP34 |
| 62 | IRTX2/GP35 |
| 63 | GP36/nKBDRST |
| 64 | GP37/A20M |
| 92 | GP50/nRI2 |
| 94 | GP51/nDCD2 |
| 95 | GP52/RXD2 |
| 96 | GP53/TXD2 |
| 97 | GP54/nDSR2 |
| 98 | GP55/nRTS2 |
| 99 | GP56/nCTS2 |
| 100 | GP57/nDTR2 |

Description

Each GPIO port has a 1-bit data register and an 8-bit configuration control register. The data register for each GPIO port is represented as a bit in one of the 8-bit GPIO DATA Registers, GP1 to GP6. The bits in these registers reflect the value of the associated GPIO pin as follows. Pin is an input: The bit is the value of the GPIO pin. Pin is an output: The value written to the bit goes to the GPIO pin. Latched on read and write. All of the GPIO registers are

located in the PME block see Run Time Register section. The GPIO ports with their alternate functions and configuration state register addresses are listed in Table 55.

TABLE 55 - General Purpose I/O Port Assignments

| PIN NO. /QFP | DEFAULT FUNCTION | ALT. FUNC. 1 | ALT. FUNC. 2 | ALT. FUNC. 3 | DATA REGISTER ¹ | DATA REGISTER BIT NO. | REGISTER OFFSET (HEX) |
|--------------|------------------|------------------------|--------------|--------------|----------------------------|-----------------------|-----------------------|
| 32 | GPIO | Joystick 1 Button 1 | | | GP1 | 0 | 4B |
| 33 | GPIO | Joystick 1 Button 2 | | | | 1 | |
| 34 | GPIO | Joystick 2 Button 1 | | | | 2 | |
| 35 | GPIO | Joystick 2 Button 2 | | | | 3 | |
| 36 | GPIO | Joystick 1 X-Axis | | | | 4 | |
| 37 | GPIO | Joystick 1 Y-Axis | | | | 5 | |
| 38 | GPIO | Joystick 2 X-Axis | | | | 6 | |
| 39 | GPIO | Joystick 2 Y-Axis | | | | 7 | |
| 41 | GPIO | P17 | | | | GP2 | |
| 42 | GPIO | P16 | EETI | | 1 | | |
| 43 | GPIO | P12 | EETI | | 2 | | |
| N/A | Reserved | | | | 3 | | |
| 45 | GPIO | System Option | | | 4 | | |
| 46 | GPIO | MIDI_IN | | | 5 | | |
| 47 | GPIO | MIDI_OUT | | | 6 | | |
| 50 | GPIO | SMI Output | | | 7 | | |
| 51 | GPIO | Fan Tachometer 2 | | | GP3 | 0 | 4D |
| 52 | GPIO | Fan Tachometer 1 | | | GP3 | 1 | 4D |
| 54 | GPIO | Fan Speed Control 2 | | | | 2 | |
| 55 | GPIO | Fan Speed Control 1 | | | | 3 | |
| 61 | Infrared Rx | GPIO | | | | 4 | |
| 62 | Infrared Tx | GPIO | | | | 5 | |
| 63 | GPIO | Keyboard Reset | | | | 6 | |
| 64 | GPIO | Gate A20 | | | | 7 | |
| 1 | GPIO | Drive Density Select 0 | | | | GP4 | |
| 2 | GPIO | Drive Density Select 1 | EETI | | 1 | | |
| 17 | GPIO | Power Management Event | | | 2 | | |

| PIN NO. /QFP | DEFAULT FUNCTION | ALT. FUNC. 1 | ALT. FUNC. 2 | ALT. FUNC. 3 | DATA REGISTER ¹ | DATA REGISTER BIT NO. | REGISTER OFFSET (HEX) |
|--------------|------------------|-----------------------------|--------------|--------------|----------------------------|-----------------------|-----------------------|
| 28 | GPIO | Device Disable Reg. Control | | EETI | | 3 | |
| N/A | Reserved | | | | | 7:4 | |
| 92 | GPIO | Ring Indicator 2 | | | GP5 | 0 | 4F |
| 94 | GPIO | Data Carrier Detect 2 | | | | 1 | |
| 95 | GPIO | Receive Serial Data 2 | | | | 2 | |
| 96 | GPIO | Transmit Serial Data 2 | | | | 3 | |
| 97 | GPIO | Data Set Ready 2 | | | | 4 | |
| 98 | GPIO | Request to Send 2 | | | | 5 | |
| 99 | GPIO | Clear to Send 2 | | | | 6 | |
| 100 | GPIO | Date Terminal Ready | | | | 7 | |
| 48 | GPIO | LED | EETI | | GP6 | 0 | 50 |
| 49 | GPIO | LED | EETI | | | 1 | |
| N/A | Reserved | | | | | 7:2 | |

Note 1: The GPIO Data and Configuration Registers are located in PME block at the offset shown from the PME_BLK address.

GPIO Control

Each GPIO port has an 8-bit control register that controls the behavior of the pin. These registers are defined in the “Runtime Registers” section of this specification.

Each GPIO port may be configured as either an input or an output. If the pin is configured as an output, it can be programmed as open-drain or push-pull. Inputs and outputs can be configured as non-inverting or inverting. Bit[0] of each GPIO Configuration Register determines the port direction, bit[1] determines the signal polarity, and bit[7] determines the output driver type select. The GPIO configuration register Output Type select bit[7] applies to GPIO functions and the nSMI Alternate functions.

The Polarity Bit (bit 1) of the GPIO control registers control the GPIO pin when the pin is configured for the GPIO function and when the pin is configured for the alternate function for all pins, with the exception of the DDRC function on GP43, the analog game port pins (J1X, J1Y, J2X, J2Y) and the either edge triggered interrupts. When the alternate function is selected for the analog joystick pins (GP14, GP15, GP16 and GP17), these pins become open drain, non-inverted outputs.

The basic GPIO configuration options are summarized in Table 56.

TABLE 56 - GPIO Configuration Summary

| SELECTED FUNCTION | DIRECTION BIT | POLARITY BIT | DESCRIPTION |
|-------------------|---------------|--------------|-------------------------------|
| | B0 | B1 | |
| GPIO | 0 | 0 | Pin is a non-inverted output. |
| | 0 | 1 | Pin is an inverted output. |
| | 1 | 0 | Pin is a non-inverted input. |
| | 1 | 1 | Pin is an inverted input. |

GPIO Operation

The operation of the GPIO ports is illustrated in Figure 4. Note: Figure 7 is for illustration purposes only and is not intended to suggest specific implementation details.

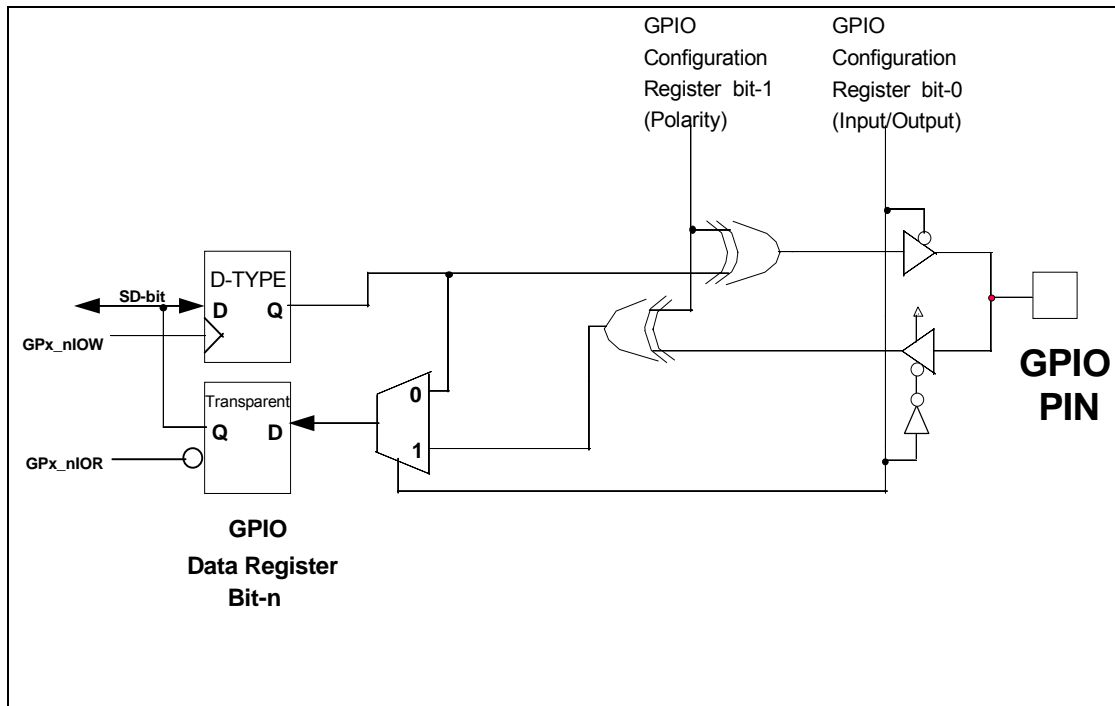


FIGURE 7 - GPIO FUNCTION ILLUSTRATION

Note: When the following functions are selected, the associated GPIO pins have bi-directional functionality: P12, P16, P17 and game port x-axis and y-axis inputs (J1X, J1Y, J2X, J2Y).

When a GPIO port is programmed as an input, reading it through the GPIO data register latches either the inverted or non-inverted logic value present at the GPIO pin. Writing to a GPIO port that is programmed as an input has no effect (Table 57).

When a GPIO port is programmed as an output, the logic value or the inverted logic value that has been written into the GPIO data register is output to the GPIO pin. Reading from a GPIO port that is programmed as an output returns the last value written to the data register (Table 57). When the GPIO is programmed as an output, the pin is excluded from the PME and SMI logic.

TABLE 57 - GPIO Read/Write Behavior

| HOST OPERATION | GPIO INPUT PORT | GPIO OUTPUT PORT |
|----------------|---------------------------|----------------------------------|
| READ | LATCHED VALUE OF GPIO PIN | LAST WRITE TO GPIO DATA REGISTER |
| WRITE | NO EFFECT | BIT PLACED IN GPIO DATA REGISTER |

The LPC47M10x provides 31 GPIOs that can directly generate a PME. See the table in the next section. The polarity bit in the GPIO control registers select the edge on these GPIO pins that will set the associated status bit in the PME_STS 2 register. The default is the low-to-high edge. If the corresponding enable bit in the PME_EN 2 register and the PME_EN bit in the PME_EN register is set, a PME will be generated. These registers are located in the PME_BLK of runtime registers which are located at the address contained in the configuration registers 0x60 and 0x61 in Logical Device A. The PME status bits for the GPIOs are cleared on a write of '1'. In addition, the LPC47M10x provides 19 GPIOs that can directly generate an SMI. See the table in the next section.

GPIO PME and SMI Functionality

The following GPIOs are dedicated wakeup GPIOs with a status and enable bit in the PME status and enable registers:

GP10-GP17
 GP20-GP22, GP24-GP27
 GP30-GP33
 GP41, GP43
 GP50-GP57
 GP60, GP61

The following PME status and enable registers for these GPIOs:

PME_STS2 and PME_EN2 for GP10-GP17
 PME_STS3 and PME_EN3 for GP20-GP22, GP24-GP27
 PME_STS4 and PME_EN4 for GP30-GP33, GP41, GP43, GP60 and GP61
 PME_STS5 and PME_EN5 for GP50-GP57

The following GPIOs can directly generate an SMI and have a status and enable bit in the SMI status and enable registers.

GP20-GP22, GP24-GP26
 GP30-GP33
 GP41, GP42, GP43
 GP54-GP57
 GP60, GP61

The following SMI status and enable registers for these GPIOs:

SMI_STS3 and SMI_EN3 for GP20-GP22, GP24-GP26 and GP60
 SMI_STS4 and SMI_EN4 for GP30-GP33, GP41, GP42, GP43 and GP61
 SMI_STS5 and SMI_EN5 for GP54-GP57, FAN_TACH1 and FAN_TACH2.

The following GPIOs have “either edge triggered interrupt” (EETI) input capability. These GPIOs can generate a PME and an SMI on both a high-to-low and a low-to-high edge on the GPIO pin. These GPIOs have a status bit in the MSC_STS status register that is set on both edges. The corresponding bits in the PME and SMI status registers are also set on both edges.

GP21, GP22
 GP41, GP43
 GP60, GP61

The following table summarizes the PME and SMI functionality for each GPIO. It also shows the Either Edge Triggered Interrupt (EETI) input capability for the GPIOs and the power source for the buffer on the I/O pads.

| GPIO | PME | SMI | EETI | BUFFER POWER | NOTES |
|----------------------|---------|---------|------------|--------------|-------|
| GP10-GP17 | Yes | No | No | VCC | 4 |
| GP20-GP22, GP24-GP26 | Yes | Yes | GP21, GP22 | VCC | 4 |
| GP27 | Yes | nIO_SMI | No | VCC | 4 |
| GP30, GP31 | Yes | Yes | No | VCC | 4 |
| GP32, GP33 | Yes | Yes | No | VCC | 5 |
| GP35 | No | No | No | VTR | 1 |
| GP36, GP37 | No | No | No | VCC | 2 |
| GP40 | No | No | No | VCC | 2 |
| GP41 | Yes | Yes | Yes | VCC | 4 |
| GP42 | nIO_PME | Yes | No | VTR | |
| GP43 | Yes | Yes | Yes | VCC | 4, 6 |
| GP50-GP52 | Yes | No | No | VCC | 4 |
| GP53 | Yes | No | No | VTR | 1, 5 |
| GP54-GP57 | Yes | Yes | No | VCC | 4 |
| GP60, GP61 | Yes | Yes | Yes | VTR | 3, 4 |

Note 1: GP35 and GP53 have the IRTX function and their output buffers are powered by VTR so that the pins are always forced low when not used.

Note 2: GP36-GP37 and GP40 should not be connected to any VTR powered external circuitry. These pins are not used for wakeup.

Note 3: GP60 and GP61 have LED functionality which must be active under VTR so its buffer is powered by VTR.

Note 4: These pins can be used for wakeup events to generate a PME while the part is under VTR power (VCC=0).

Note 5: These pins cannot be used for wakeup events to generate a PME while the part is under VTR power (VCC=0). The GP32, GP33 and GP53 pins come up as output and low on a VCC POR and hard reset. These pins revert to their non-inverting GPIO output function when VCC is removed from the part.

Note 6: GP43 defaults to the GPIO function on VCC POR and Hard Reset.

EITHER EDGE TRIGGERED INTERRUPTS

Six GPIO pins are implemented such that they allow an interrupt (PME or SMI) to be generated on both a high-to-low and a low-to-high edge transition, instead of one or the other as selected by the polarity bit.

The either edge triggered interrupts (EETI) function as follows: If the EETI function is selected for the GPIO pin, then the bits that control input/output, polarity and open collector/push-pull have no effect on the function of the pin. However, the polarity bit does affect the value of the GP bit (i.e., register GP2, bit 2 for GP22).

A PME or SMI interrupt occurs if the PME or SMI enable bit is set for the corresponding GPIO and the EETI function is selected on the GPIO. The PME or SMI status bits are set when the EETI pin transitions (on either edge) and are cleared on a write of '1'. There are also status bits for the EETIs located in the MSC_STS register, which are also cleared on a write of '1'. The MSC_STS register provides the status of all of the EETI interrupts within one register. The PME, SMI or MSC status is valid whether or not the interrupt is enabled and whether or not the EETI function is selected for the pin.

Miscellaneous Status Register (MSC_STS) is for the either edge triggered interrupt status bits. If the EETI function is selected for a GPIO then both a high-to-low and a low-to-high edge will set the corresponding MSC status bits. Status bits are cleared on a write of '1'. See Runtime Register section for more information.

LED FUNCTIONALITY

The LPC47M10x provides LED functionality on two GPIOs, GP60 and GP61. These pins can be configured to turn the LED on and off and blink independent of each other through the LED1 and LED2 runtime registers at offset 0x5D and 0x5E from the base address located in the primary base I/O address in Logical Device A.

The LED pins (GP60 and GP61) are able to control the LED while the part is under VTR power with VCC removed. In order to control a LED while the part is under VTR power, the GPIO pin must be configured for the LED function and either open drain or push-pull buffer type. In the case of open-drain buffer type, the pin is capable of sinking current to control the LED. In the case of push-pull buffer type, the part will source current. The part is also able to blink the LED under VTR power. The LED will not blink under VTR power (VCC removed) if the external 32kHz clock is not connected.

The LED pins can drive a LED when the buffer type is configured to be push-pull and the part is powered by either VCC or VTR, since the buffers for these pins are powered by VTR. This means they will source their specified current from VTR even when VCC is present.

The LED control registers are defined in the "Runtime Register" section.

SYSTEM MANAGEMENT INTERRUPT (SMI)

The LPC47M10x implements a “group” nIO_SMI output pin. The System Management Interrupt is a non-maskable interrupt with the highest priority level used for OS transparent power management. The nIO_SMI group interrupt output consists of the enabled interrupts from each of the functional blocks in the chip and many of the GPIOs and the Fan tachometer pins. The GP27/nIO_SMI pin, when selected for the nIO_SMI function, can be programmed to be active high or active low via the polarity bit in the GP27 register. The output buffer type of the pin can be programmed to be open-drain or push-pull via bit 7 of the GP27 register. The nIO_SMI pin function defaults to active low, open-drain output.

The interrupts are enabled onto the group nSMI output via the SMI Enable Registers 1 to 5. The nSMI output is then enabled onto the group nIO_SMI output pin via bit[7] in the SMI Enable Register 2. The SMI output can also be enabled onto the serial IRQ stream (IRQ2) via Bit[6] in the SMI Enable Register 2. The internal SMI can also be enabled onto the nIO_PME pin. Bit[5] of the SMI Enable Register 2 is used to enable the SMI output onto the nIO_PME pin (GP42). This bit will enable the internal SMI output into the PME logic through the DEVINT_STS bit in PME_STS3. See PME section for more details.

An example logic equation for the nSMI output for SMI registers 1 and 2 is as follows:

$$\text{nSMI} = (\text{EN_PINT and IRQ_PINT}) \text{ or } (\text{EN_U2INT and IRQ_U2INT}) \text{ or } (\text{EN_U1INT and IRQ_U1INT}) \text{ or } (\text{EN_FINT and IRQ_FINT}) \text{ or } (\text{EN_MINT and IRQ_MINT}) \text{ or } (\text{EN_KINT and IRQ_KINT}) \text{ or } (\text{EN_IRINT and IRQ_IRINT})$$

SMI Registers

The SMI event bits for the GPIOs and the Fan tachometer events are located in the SMI status and Enable registers 3-5. The polarity of the edge used to set the status bit and generate an SMI is controlled by the polarity bit of the control registers. For non-inverted polarity (default) the status bit is set on the low-to-high edge. If the EETI function is selected for a GPIO then both a high-to-low and a low-to-high edge will set the corresponding SMI status bit. Status bits for the GPIOs are cleared on a write of ‘1’.

The P12 function also has a polarity select bit in Configuration Register 0xF0 in Logical Device 1.

The SMI logic for these events is implemented such that the output of the status bit for each event is combined with the corresponding enable bit in order to generate an SMI.

The SMI registers are accessed at an offset from PME_BLK (see Runtime register section for more information).

The SMI event bits for the super I/O devices are located in the SMI status and enable register 1 and 2. All of these status bits are cleared at the source except for IRINT, which is cleared by a read of the SMI_STS2 register; these status bits are not cleared by a write of ‘1’. The SMI logic for these events is implemented such that each event is directly combined with the corresponding enable bit in order to generate an SMI.

See the “Runtime Registers” section for the definition of these registers.

PME SUPPORT

The LPC47M10x offers support for power management events (PMEs). A power management event is requested by a function via the assertion of the nIO_PME signal. In the LPC47M10x, the nIO_PME is asserted by active transitions on the ring indicator inputs nRI1 and nRI2, valid NEC infrared remote control frames, active keyboard-data edges, active mouse-data edges, programmable edges on GPIO pins and fan tachometer event. The GP42/nIO_PME pin, when selected for the nIO_PME function, can be programmed to be active high or active low via the polarity bit in the GP42 register. The output buffer type of the pin can be programmed to be open-drain or push-pull via bit 7 of the GP42 register. The nIO_PME pin function defaults to active low, open-drain output.

The PME functionality is controlled by the PME status and enable registers in the runtime registers block, which is located at the address programmed in configuration registers 0x60 and 0x61 in Logical Device A. The PME Enable bit, PME_EN, globally controls PME Wake-up events. When PME_EN is inactive, the nIO_PME signal can not be asserted. When PME_EN is asserted, any wake source whose individual PME Wake Enable register bit, is asserted can cause nIO_PME to become asserted.

The PME_STS bit in the PME Wake Status register indicates that an enabled wake source has occurred, and if the PME_EN bit is set, has asserted the nIO_PME signal. The PME Status bit is asserted by active transitions of enabled PME Wake sources. PME_Status will become asserted independent of the state of the global PME enable bit, PME_En.

The following pertains to the PME status bits for each event:

- The output of the status bit for each event is combined with the corresponding enable bit to set the PME status bit.
- The status bit for any pending events must be cleared in order to clear the PME_STS bit.

For the GPIO events, the polarity of the edge used to set the status bit and generate a PME is controlled by the polarity bit of the GPIO control register. For non-inverted polarity (default) the status bit is set on the low-to-high edge. If the EETI function is selected for a GPIO then both a high-to-low and a low-to-high edge will set the corresponding PME status bits. Status bits are cleared on a write of '1'.

The P12 function also has a polarity select bit in Configuration Register 0xF0 in Logical Device 1.

The PME Wake registers also include status and enable bits for the fan tachometer input.

See the "Keyboard and Mouse PME Generation" section for information about using the keyboard and mouse signals to generate a PME.

In the LPC47M10x the nIO_PME pin can be programmed to be an open drain, active low, driver. The LPC47M10x nIO_PME pin is fully isolated from other external devices that might pull the nIO_PME signal low; i.e., the nIO_PME signal is capable of being driven high externally by another active device or pullup even when the LPC47M10x VCC is grounded, providing VTR power is active. The LPC47M10x nIO_PME driver sinks 6mA at .55V max (see section 4.2.1.1 DC Specifications, page 122, in the PCI Local Bus Specification, Revision 2.1).

The PME registers are run-time registers as follows. These registers are located in system I/O space at an offset from PME_BLK, the address programmed in Logical Device A at registers 0x60 and 0x61.

The following registers are for GPIO wakeup events:

- PME Wake Status 2 (PME_STS2), PME Wake Enable 2 (PME_EN2)
- PME Wake Status 3 (PME_STS3), PME Wake Enable 3 (PME_EN3)
- PME Wake Status 4 (PME_STS4), PME Wake Enable 4 (PME_EN4)
- PME Wake Status 5 (PME_STS5), PME Wake Enable 5 (PME_EN5)

See PME register description in the Runtime Register Section.

Enabling SMI Events onto the PME Pin

There is a bit in the PME Status Register 3 to show the status of the internal "group" SMI signal in the PME logic (if bit 5 of the SMI_EN2 register is set). This bit, DEVINT_STS, is at bit 3 of the PME_STS3 register. This bit is defined as follows:

0=The group SMI output is inactive.

1=The group SMI output is active.

Note: Bit 5 of the SMI_EN2 register must also be set.

This bit is cleared on a write of '1'.

There is a bit in the PME Enable Register 3 to enable the SMI onto the nIO_PME pin (if the nIO_PME function is selected for GP42). This bit, DEVINT_EN, is at bit 3 of the PME_EN3 register. This bit will enable the internal "group" SMI signal (if bit 5 of the SMI_EN2 register is set) into the PME logic through the DEVINT_STS bit as follows: If the DEVINT_EN bit is '1' and the DEVINT_STS bit is '1' then the nIO_PME pin will be active. This pin has its polarity controlled by the polarity bit in the GP42 register.

This bit is defined as follows:

0=Disable group SMI output from the nIO_PME pin.

1=Enable group SMI output onto the nIO_PME pin. That is, if this bit is set and the DEVINT_STS bit is set then a nPME is generated.

Note: Bit 5 of the SMI_EN2 register must also be set.

'WAKE ON SPECIFIC KEY' OPTION

The LPC47M10x has logic to detect a single keyboard scan code for wakeup (PME generation). The scan code is programmed onto the Keyboard Scan Code Register, a runtime register at offset 0x5F from the base address located in the primary base I/O address in Logical Device A. This register is powered by VTR and reset on VTR POR.

The PME status bit for this event is located in the PME_STS1 register at bit 5 and the PME enable bit for this event is located in the PME_EN1 register at bit 5. See the Runtime Register section for a definition of these registers.

Data transmissions from the keyboard consist of an 11-bit serial data stream. A logic 1 is sent at an active high level. The following table shows the functions of the bits.

| BIT | FUNCTION |
|-----|------------------------------------|
| 1 | Start bit (always 0) |
| 2 | Data bit 0 (least significant bit) |
| 3 | Data bit 1 |
| 4 | Data bit 2 |
| 5 | Data bit 3 |
| 6 | Data bit 4 |
| 7 | Data bit 5 |
| 8 | Data bit 6 |
| 9 | Data bit 7 (most significant bit) |
| 10 | Parity bit (odd parity) |
| 11 | Stop Bit (always 1) |

The timing for the keyboard clock and data signals are shown in the "Timing Diagrams" section.

The process to find a match for the scan code stored in the Keyboard Scan Code register is as follows:

Begin sampling the data at the first falling edge of the keyboard clock following a period where the clock line has been high for 115-145usec. The data at this first clock edge is the start bit. The first data bit follows the start bit (clock 2). Sample the data on each falling edge of the clock. Store the eight bits following the stop bit to compare with the scan code stored in the Keyboard Scan Code register. Sample the comparator within 100usec of the falling edge of clock 9 (for example, at clock 10).

Sample the parity bit and check that the 8 data bits plus the parity bit always have an odd number of 1's (odd parity).

Repeat until a match is found. If the 8 data bits match the scan code stored in the Keyboard Scan Code register and the parity is correct, then it is considered a match. When a match is found and if the stop bit is 1, set the event status bit (bit 5 of the PME_STS1 register) to '1' within 100usec of the falling edge of clock 10.

The state machine will reset after 11 clocks and the process will restart. The process will continue until it is shut off by setting the SPEKEY_EN bit (see following sub-section).

The state machine will reset if there is a period where the clock remains high for more than one keyboard clock period (115-145usec) in the middle of the transmission (i.e., before clock 11). This is to prevent the generation of a false PME.

The CLK32_PRSN bit (bit 0 of the CLOCKI32 register at 0xF0 in Logical Device A) will determine the clock source for this feature when the part is powered by VCC. If the external 32kHz clock is not connected, the 32kHz internal signal is derived from the 14MHz clock when VCC is active. Use the 32kHz clock for this feature when the part is under trickle power. This feature will not work when the part is under trickle power (VCC removed) if the external 32kHz clock is not connected.

The SPEKEY_EN bit at bit 1 of the CLOCKI32 register at 0xF0 in Logical Device A is used to control this feature. This bit is used to turn the logic for this feature on and off. It will disable the 32 kHz clock input to the logic. The logic will draw no power when disabled. The bit is defined as follows:

0= "Wake on specific key" logic is on (default)

1= "Wake on specific key" logic is off

Note: The generation of a PME for this event is controlled by the PME enable bit (located in the PME_EN1 register at bit 5) when the logic for feature is turned on.

FAN SPEED CONTROL AND MONITORING

The LPC47M10x implements fan speed control outputs and fan tachometer inputs. The implementation of these features are described in the sections below.

Fan Speed Control

The fan speed control for the LPC47M10x is implemented as pulse width modulators with fan clock speed selection.

Pins 54 and 55 are the fan speed control outputs, FAN2 and FAN1, respectively, muxed with GPIOs. These fan control pins come up as outputs and are low following a VCC POR and Hard Reset. These pins may not be used for wakeup events under VTR power (VCC=0).

The configuration registers are defined in the "Runtime Registers" section.

Fan Speed Control Summary

The following table illustrates the different modes for the fans.

Table 58 – Different Modes for Fan

| FANx Clock Control Bit (Note 1) | FANx Clock Multiplier Bit (Note 2) | FANx Clock Source Select Bit (Note 3) | FANx Clock Select Bit (Note 4) | F _{out} | 6-Bit Duty Cycle Control bits[6:1] (DCC) | Duty Cycle (%) |
|---------------------------------|------------------------------------|---------------------------------------|--------------------------------|------------------|--|-------------------|
| 0 | X | X | X | 0Hz – LOW | 0 | - |
| 0 | 0 | 0 | 0 | 15.625kHz | 1-63 | (DCC/64) • 100 |
| 0 | 0 | 0 | 1 | 23.438kHz | | |
| 0 | 0 | 1 | 0 | 40Hz | | |
| 0 | 0 | 1 | 1 | 60Hz | | |
| 0 | 1 | 0 | 0 | 31.25kHz | | |
| 0 | 1 | 0 | 1 | 46.876kHz | | |
| 0 | 1 | 1 | 0 | 80Hz | | |
| 0 | 1 | 1 | 1 | 120Hz | | |
| 1 | X | X | X | 0Hz – HIGH | - | - |

Note 1. This is FANx Register Bit 0

Note 2. This is Fan Control Register Bit 2 or 3

Note 3. This is Fan Control Register Bit 0 or 1

Note 4. This is FANx Register Bit 7

FANx Registers

The FAN1 and FAN2 Registers are located at 0x56 and 0x57 from base I/O in Logical Device A. The bits are defined below. See the register description in the Runtime Registers section.

Fan x Clock Select Bit, D7

The Fan x Clock Select bit in the FANx registers is used with the Fan x Clock Source Select and the Fan x Clock Multiplier bits in the Fan Control register to determine the fan speed F_{OUT} . See Table 58 above.

Duty Cycle Control for Fan x, Bits D6 – D1

The Duty Cycle Control (DCC) bits determine the fan duty cycle. The LPC47M10x has $\approx 1.56\%$ duty cycle resolution.

When DCC = “000000” (min. value), F_{OUT} is always low. When DCC is “111111” (max. value), F_{OUT} is almost always high; i.e., high for $63/64^{\text{th}}$ and low for $1/64^{\text{th}}$ of the F_{OUT} period.

Generally, the F_{OUT} duty cycle (%) is $(DCC \div 64) \times 100$.

Fan x Clock Control, Bit D0

The Fan x Clock Control bit D0 is used to override the Duty Cycle Control for Fan x bits and force F_{OUT} always high.

When D0 = “0”, the DCC bits determine the F_{OUT} duty cycle. When D0 = 1, F_{OUT} is always high, regardless of the state of the DCC bits.

Fan Control Register

The Fan Control Register is located at 0x58 from base I/O in Logical Device A. The bits are defined below. See the register description in the Runtime Registers section.

Fan x Count Divisor, Bits D7-D6 / D5-D4

Fan x Count Divisor bit in Fan Control Register is used to determine fan tachometer count. The choices for the divisor are 1, 2, 4 and 8. See “Fan Tachometer Input” section.

Fan x Clock Multiplier, Bits D3 / D2

The Fan x Clock Multiplier bit is used with the Fan x Clock Source Select bit in the Fan Control Register and the Fan x Clock Select bit in Fan register to determine the F_{OUT} .

When the Fan x Clock Multiplier bit = “0”, no clock multiplier is used. When the Fan x Clock Multiplier bit = “1”, the clock speed determined by the Fan x Clock Source Select bit is doubled.

Fan x Clock Source Select, Bits D1 / D0

The Fan x Clock Source Select and the Fan x Clock Multiplier bits in the Fan Control register is used with The Fan x Clock Select bit in the Fan x registers to determine the fan speed F_{OUT} . See Table 58 above.

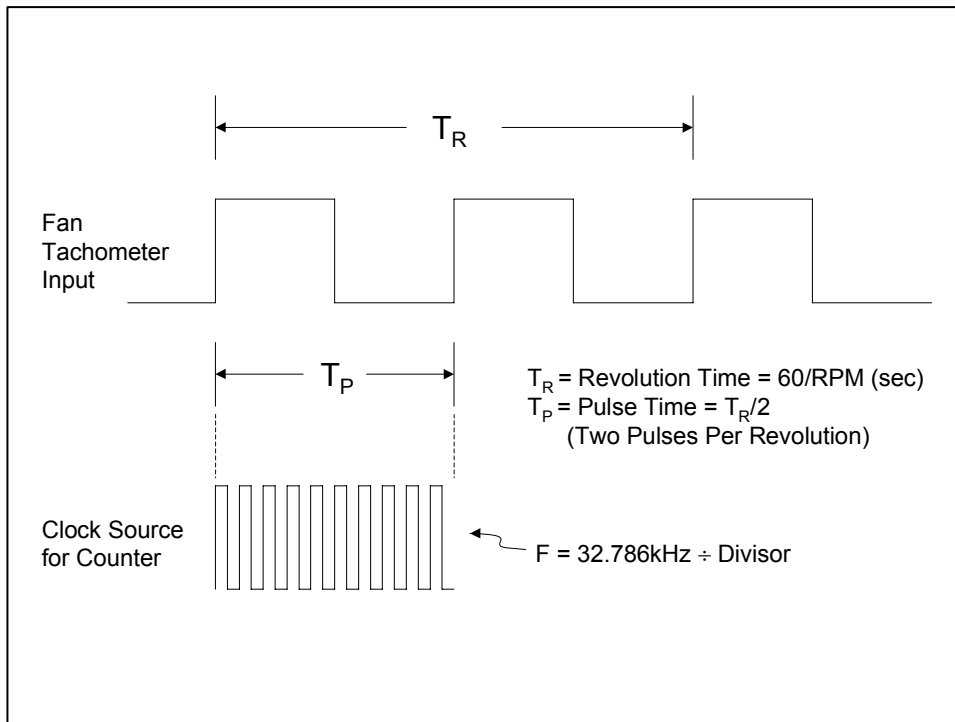
Fan Tachometer Inputs

The LPC47M10x implements fan tachometer inputs for signals from fans equipped with tachometer outputs. The part can generate both a PME and an SMI when the fan speed drops below a predetermined value. See description below.

The clock source for the tachometer count is the 32.768kHz oscillator. The Fan Tachometer Inputs gate a divided down version of the 32.768kHz oscillator for one period of the Fan signal into an 8-bit counter (maximum count is 255).

The clock source is determined by the CLK32_PRSN bit in the CLOCKI32 register in logical device A. It is either the 32.768kHz clock from the CLKI32 pin or an internal 32.765kHz clock derived from the 14MHz clock.

The fan tachometer input signal and clock source is shown below.



The counter is reset by the rising edge of each pulse (and by writing the preload register). The counter does not wrap; if it reaches 0xFF, it remains at 0xFF until it is reset by the next pulse.

The 2 MSBs of the count are sampled and a PME or SMI is generated (if enabled through the PME_EN1 enable register or the SMI_EN5 enable register - see the "Runtime Registers" section) when these two bits are set. This corresponds to a count value of 192.

The fan count is determined according to the following equation:

$$\text{Count} = \frac{1}{2} \times \frac{1.966 \times 10^6}{\text{RPM} \times \text{Divisor}} + \text{Preload} \quad (\text{Equation 1})$$

(Term 1)

Term 1 in the equation above is determined by multiplying the clock source of 32.768kHz by 60sec/min and dividing by the product of the revolutions per minute times the divisor. The default divisor, located in the Fan Control Register, is 2. This results in a value for Term 1 in Equation 1 of 111 for a 4400 RPM.

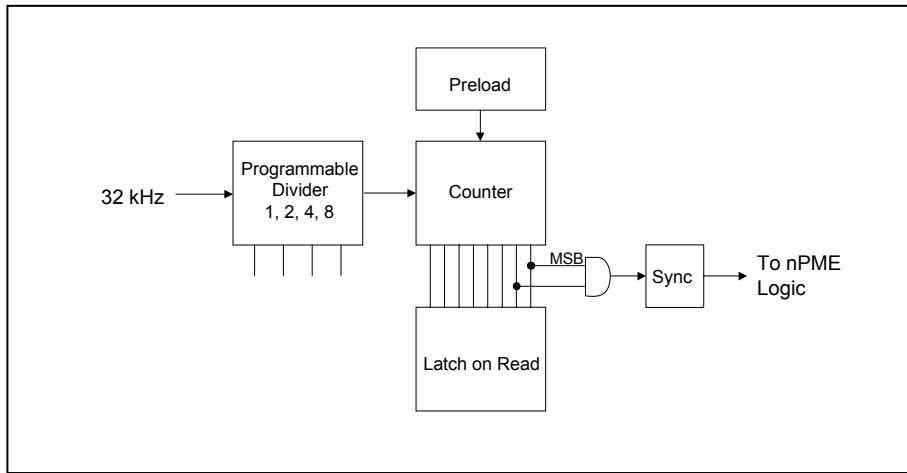
The divisor for each fan is programmable via the Fan Control Register, Logical Device 8, 0xFA. The choices for the divisor are 1, 2, 4 and 8. The default value is 2. The factor of $\frac{1}{2}$ in Term 1 corresponds to two pulses per revolution.

The preload value is programmable via the FAN1 Preload Register and FAN2 Preload Register. The preload is the initial value for the fan count which is used to adjust the count such that the value of 192 corresponds to the "lower limit" of the RPM. By setting the preload value and divisor properly, the PME or SMI will be generated when the RPM reaches the desired percentage of the nominal RPM to indicate a fan failure.

A PME or SMI is generated, if enabled through the PME or SMI enable register, at a count of 192, which corresponds to the "upper limit" for the fan count. This value is made to correspond to the "lower limit" of the RPM for the fan by programming the divisor and preload value accordingly. Typical practice is to consider 70% of normal RPM a fan failure, at which point Term 1 in Equation 1 for the example above will be 160. Therefore, the preload value is

chosen to be 32 so that when the count reaches 192, this will correspond to 70% of the normal RPM for the generation of a PME or SMI.

A representation of the logic for the fan tachometer implementation is shown below.



The following tables show examples of the desired functionality. Counts are based on 2 pulses per revolution tachometer outputs with a default divisor of 2.

| RPM | Time per Revolution | Term 1 for "Divide by 2" (Default) in Decimal | Preload | Count = (Term 1) + Preload | Comments |
|------|---------------------|---|---------|----------------------------|-------------|
| 4400 | 13.64 ms | 112 counts | 32 | 144 | Typical RPM |
| 3080 | 19.48 ms | 160 counts | 32 | 192 | 70% RPM |
| 2640 | 22.73 ms | 186 counts | 32 | 218 | 60% RPM |
| 2204 | 27.22 ms | 223 counts | 32 | 255 (maximum count) | 50% RPM |

| Mode Select | Nominal RPM | Time per Revolution | Preload | Counts for the Given Speed in Decimal | 70% RPM | Time per Revolution for 70% RPM |
|-------------|-------------|---------------------|---------|---------------------------------------|---------|---------------------------------|
| Divide by 1 | 8800 | 6.82 ms | 32 | 144 | 6160 | 9.74 ms |
| Divide by 2 | 4400 | 13.64 ms | 32 | 144 | 3080 | 19.48 ms |
| Divide by 4 | 2200 | 27.27 ms | 32 | 144 | 1540 | 38.96 ms |
| Divide by 8 | 1100 | 54.54 ms | 32 | 144 | 770 | 77.92 ms |

Pins 51 and 52 are the fan tachometer inputs, FAN_TACH2 and FAN_TACH1, respectively.

The configuration registers for the fan tachometer inputs are defined in the "Runtime Registers" section.

SECURITY FEATURE

The following register describes the functionality to support security in the LPC47M10x.

GPIO Device Disable Register Control

The GPIO pin GP43 is used for the Device Disable Register Control (DDRC) function. Setting bits[3:2] of the GP43 configuration register to '01', selects the DDRC function for the GP43 pin. When bits[3:2]=01 the GP43 pin is an input, with non-inverted polarity. Bits[3:2] cannot be cleared by writing to these bits; they are cleared by VTR POR, VCC POR and Hard Reset. That is, when the DDRC function is selected for this pin, it cannot be changed, except by a VCC POR, hard reset or VTR POR.

When the DDRC function is selected for GP43, the Device Disable register is controlled by the value of the GP43 pin as follows:

- If the GP43 pin is high, the Device Disable Register is Read-Only.
- If the GP43 pin is low, the Device Disable Register is Read/Write.

Device Disable Register

The Device Disable Register is located in the PME register block at offset 0x22 from the PME_BLK base I/O address in logical device A. Writes to this register are blocked when the GP43 pin is configured for the Device Disable Register Control function (GP43 configuration register bit 2 =1) and the GP43 pin is high.

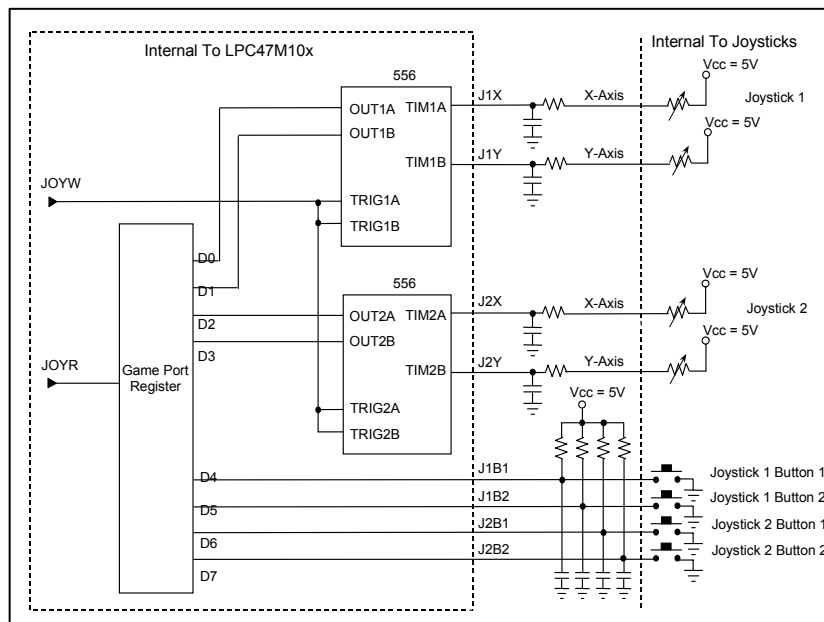
The configuration register for the device disable register is defined in the "Runtime Registers" section.

GAME PORT LOGIC

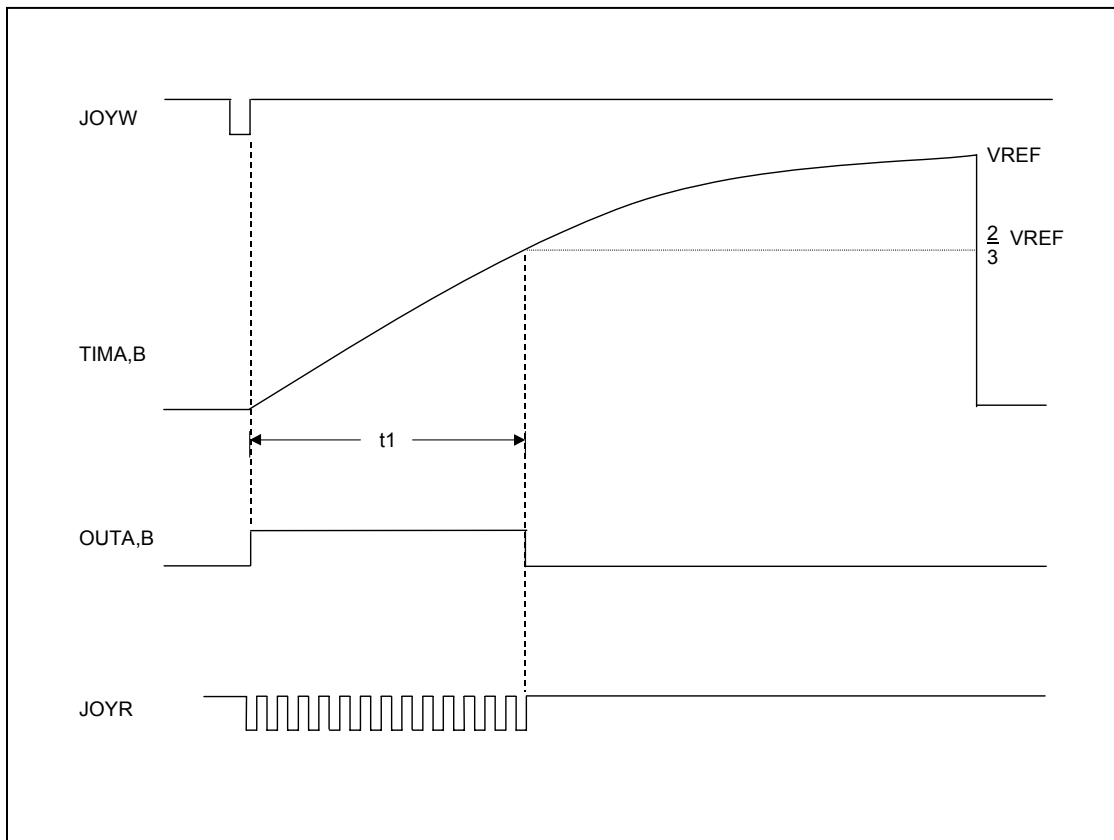
The LPC47M10x implements logic to support a dual game port. This logic includes the following for each game port: two 555 timers, two game port RC constant inputs (x-axis and y-axis), two game port button inputs and game port interface logic. The implementation of the Game Port uses a simple A/D converter constructed from a 555 timer to digitize the analog value of a potentiometer for the x-axis and y-axis of the joystick.

The figure below illustrates the implementation of the game port logic in the LPC47M10x.

Game software will write a byte to the game port to reset it, and then poll (read) the port until the x and y-axis RC time constant pins (TIMA,B) time out (return to zero). The elapsed time indicates the resistance value of the potentiometer and in turn, the position of the joystick.



The figure below illustrates the timing of the game port signals. The 556 timers will reset the outputs (OUTA,B) to zero and the RC constant (TIMA,B) pins to zero when the RC constant (TIMA,B) inputs reach $\frac{2}{3}$ of VREF as shown. VREF is the voltage on pin 44, which is either 5V or 3.3V. See the "VREF Pin " section.



The game port register is defined below. It is a runtime register located at the address programmed into the base I/O address (GAME_PORT) in Logical Device 9.

Note: Register 0x60 is the high byte; 0x61 is the low byte. For example, to set the primary base address to 1234h, write 12h into 0x60, and 34h into 0x61.

When the activate bit in Logical Device 9 is cleared, it prevents the base I/O address for the game port from being decoded.

Game Port Register

Register Location: <GAME_PORT>+0h System I/O Space
 Default Value: 00h on VTR POR
 Attribute: Read-Only
 Size: 8-bits

| D7 | D6 | D5 | D4 | D3 | D2 | D1 | D0 |
|-----------------------------------|-----------------------------------|-----------------------------------|-----------------------------------|---------------------------------|---------------------------------|---------------------------------|---------------------------------|
| Button #2 Joystick 2 (J2B2) | Button #1 Joystick 2 (J2B1) | Button #2 Joystick 1 (J1B2) | Button #1 Joystick 1 (J1B1) | Y-Axis Joystick 2 (OUT2B) | X-Axis Joystick 2 (OUT2A) | Y-Axis Joystick 1 (OUT1B) | X-Axis Joystick 1 (OUT1A) |

The game port register is a read-only register. However, writing to the game port resets the RC time constant pins (TIMA, B) to zero. The reset of the time constant pins occur on the “back” edge of the write signal (when the write signal goes from its active state to its inactive state).

The game port read (JOYR) will be an IO read to the address programmed into the base IO address in Logical Device 9.

The game port write (JOYW) will be an IO write to the address programmed into the base IO address in Logical Device 9.

Minimum Rise Time

The fastest rise time on the RC constant pins (minimum RC time constant) for the game port is 20usec.

Power Control Register

Bit 2 in the Power Control Register (CR22) is the power control bit for the game port. This bit has the same function as the activate bit for logical device 9 and shadows the activate bit. The activate bit also shadows the power control bit 2.

VREF Pin

The LPC47M10x has a reference voltage pin input on pin 44 of the part. This reference voltage can be connected to either a 5V supply or a 3.3V supply. It is used for the game port.

The reference voltage is used in the game port logic so that the joystick trigger voltage is 2/3 VREF where VREF is either 5V or 3.3V. This is to preserve joystick compatibility by maintaining the RC time constant reset trigger voltage of 3.3V (nominal) with VREF=5V (nominal), if required.

RUNTIME REGISTERS

The following registers are runtime registers in the LPC47M10x. They are located at the address programmed in the Base I/O Address in Logical Device A at the offset shown. These registers are powered by VTR.

Table 59 - Runtime Register Block Summary

| REGISTER OFFSET (hex) | TYPE | HARD RESET | VCC POR | VTR POR | SOFT RESET | REGISTER |
|-----------------------|------|------------|---------|--------------------------|------------|---------------------------|
| 00 | R/W | - | - | 0x00 | - | PME_STS |
| 01 | R | - | - | - | - | Reserved – reads return 0 |
| 02 | R/W | - | - | 0x00 | - | PME_EN |
| 03 | R | - | - | - | - | Reserved – reads return 0 |
| 04 | R/W | - | - | 0x00 | - | PME_STS1 |
| 05 | R/W | - | - | 0x00 | - | PME_STS2 |
| 06 | R/W | - | - | 0x00 | - | PME_STS3 |
| 07 | R/W | - | - | 0x00 ^(Note 5) | - | PME_STS4 |
| 08 | R/W | - | - | 0x00 ^(Note 5) | - | PME_STS5 |
| 09 | R | - | - | - | - | Reserved – reads return 0 |
| 0A | R/W | - | - | 0x00 | - | PME_EN1 |

| REGISTER OFFSET (hex) | TYPE | HARD RESET | VCC POR | VTR POR | SOFT RESET | REGISTER |
|-----------------------|-----------------------|------------|----------|--------------------------|------------|--------------------------------|
| 0B | R/W | - | - | 0x00 | - | PME_EN2 |
| 0C | R/W | - | - | 0x00 | - | PME_EN3 |
| 0D | R/W | - | - | 0x00 | - | PME_EN4 |
| 0E | R/W | - | - | 0x00 | - | PME_EN5 |
| 0F | R | - | - | - | - | Reserved – reads return 0 |
| 10 | R/W | (Note 4) | (Note 4) | 0x02 ^(Note 4) | (Note 4) | SMI_STS 1 |
| 11 | R/W | - | - | 0x00 | - | SMI_STS 2 |
| 12 | R/W | - | - | 0x00 | - | SMI_STS3 |
| 13 | R/W | - | - | 0x00 ^(Note 5) | - | SMI_STS4 |
| 14 | R/W | - | - | 0x00 | - | SMI_STS5 |
| 15 | R | - | - | - | - | Reserved – reads return 0 |
| 16 | R/W | - | - | 0x00 | - | SMI_EN1 |
| 17 | R/W | - | - | 0x00 | - | SMI_EN2 |
| 18 | R/W | - | - | 0x00 | - | SMI_EN3 |
| 19 | R/W | - | - | 0x00 | - | SMI_EN4 |
| 1A | R/W | - | - | 0x00 | - | SMI_EN5 |
| 1B | R | - | - | - | - | Reserved – reads return 0 |
| 1C | R/W | - | - | 0x00 | - | MSC_STS |
| 1D | R | - | - | - | - | Reserved – reads return 0 |
| 1E | R/W | 0x01 | 0x01 | - | - | Force Disk Change |
| 1F | R | - | - | - | - | Floppy Data Rate Select Shadow |
| 20 | R | - | - | - | - | UART1 FIFO Control Shadow |
| 21 | R | - | - | - | - | UART2 FIFO Control Shadow |
| 22 | R/W ^{Note 1} | - | - | 0x00 | - | Device Disable Register |
| 23 | R/W | - | - | 0x01 | - | GP10 |
| 24 | R/W | - | - | 0x01 | - | GP11 |
| 25 | R/W | - | - | 0x01 | - | GP12 |
| 26 | R/W | - | - | 0x01 | - | GP13 |
| 27 | R/W | - | - | 0x01 | - | GP14 |
| 28 | R/W | - | - | 0x01 | - | GP15 |
| 29 | R/W | - | - | 0x01 | - | GP16 |
| 2A | R/W | - | - | 0x01 | - | GP17 |
| 2B | R/W | - | - | 0x01 | - | GP20 |
| 2C | R/W | - | - | 0x01 | - | GP21 |
| 2D | R/W | - | - | 0x01 | - | GP22 |
| 2E | R | - | - | - | - | Reserved – reads return 0 |
| 2F | R/W | - | - | 0x01 | - | GP24 |
| 30 | R/W | - | - | 0x01 | - | GP25 |
| 31 | R/W | - | - | 0x01 | - | GP26 |
| 32 | R/W | - | - | 0x01 | - | GP27 |
| 33 | R/W | - | - | 0x01 | - | GP30 |
| 34 | R/W | - | - | 0x01 | - | GP31 |
| 35 | R/W | 0x00 | 0x00 | 0x01 | - | GP32 |
| 36 | R/W | 0x00 | 0x00 | 0x01 | - | GP33 |
| 37 | R/W | - | - | 0x05 | - | GP34 |
| 38 | R/W | 0x04 | 0x04 | 0x04 | - | GP35 |
| 39 | R/W | - | - | 0x01 | - | GP36 |
| 3A | R/W | - | - | 0x01 | - | GP37 |

| REGISTER OFFSET (hex) | TYPE | HARD RESET | VCC POR | VTR POR | SOFT RESET | REGISTER |
|-----------------------|------|------------|---------|---------|------------|---------------------------|
| 3B | R/W | - | - | 0x01 | - | GP40 |
| 3C | R/W | - | - | 0x01 | - | GP41 |
| 3D | R/W | - | - | 0x01 | - | GP42 |
| 3E | R/W | Note 2 | Note 2 | 0x01 | - | GP43 |
| 3F | R/W | - | - | 0x01 | - | GP50 |
| 40 | R/W | - | - | 0x01 | - | GP51 |
| 41 | R/W | - | - | 0x01 | - | GP52 |
| 42 | R/W | 0x00 | 0x00 | 0x00 | - | GP53 |
| 43 | R/W | - | - | 0x01 | - | GP54 |
| 44 | R/W | - | - | 0x01 | - | GP55 |
| 45 | R/W | - | - | 0x01 | - | GP56 |
| 46 | R/W | - | - | 0x01 | - | GP57 |
| 47 | R/W | - | - | 0x01 | - | GP60 |
| 48 | R/W | - | - | 0x01 | - | GP61 |
| 49 | R | - | - | - | - | Reserved – reads return 0 |
| 4A | R | - | - | - | - | Reserved – reads return 0 |
| 4B | R/W | - | - | 0x00 | - | GP1 |
| 4C | R/W | - | - | 0x00 | - | GP2 |
| 4D | R/W | Note 2 | Note 2 | 0x00 | - | GP3 |
| 4E | R/W | - | - | 0x00 | - | GP4 |
| 4F | R/W | Note 3 | Note 3 | 0x00 | - | GP5 |
| 50 | R/W | - | - | 0x00 | - | GP6 |
| 51 | R | - | - | - | - | Reserved – reads return 0 |
| 52 | R | - | - | - | - | Reserved – reads return 0 |
| 53 | R | - | - | - | - | Reserved – reads return 0 |
| 54 | R | - | - | - | - | Reserved – reads return 0 |
| 55 | R | - | - | - | - | Reserved – reads return 0 |
| 56 | R/W | - | - | 0x00 | - | FAN1 |
| 57 | R/W | - | - | 0x00 | - | FAN2 |
| 58 | R/W | - | - | 0x50 | - | Fan Control |
| 59 | R | - | - | 0x00 | - | Fan1 Tachometer Register |
| 5A | R | - | - | 0x00 | - | Fan2 Tachometer Register |
| 5B | R/W | - | - | 0x00 | - | Fan1 Preload Register |
| 5C | R/W | - | - | 0x00 | - | Fan2 Preload Register |
| 5D | R/W | - | - | 0x00 | - | LED1 |
| 5E | R/W | - | - | 0x00 | - | LED2 |
| 5F | R/W | - | - | 0x00 | - | Keyboard Scan Code |
| 60-7F | R | - | - | - | - | Reserved – reads return 0 |

Note 1: This register is read-only when GP43 register bit [3:2] = 01 and the GP43 pin is high.

Note 2: Bits [3:2] of this register are reset (cleared) on VCC POR and Hard Reset (and VTR POR).

Note 3: Bit 3 of this register is reset (cleared) on VCC POR and Hard Reset (and VTR POR).

Note 4: The parallel port interrupt defaults to 1 when the parallel port activate bit is cleared.

Note 5: Bits 2 and 3 of the PME_STS4 and SMI_STS4 registers, and bit 3 of the PME_STS5 register may be set on a VCC POR. If GP32, GP33 and GP53 are configured as input, then their corresponding PME and SMI status bits will be set on a VCC POR since these pins revert to their non-inverting GPIO output function when VCC is removed from the part. These GPIOs cannot be used for PME wakeup when the part is under VTR power (VCC=0).

The following registers are located at an offset from (PME_BLK) the address programmed into the base I/O address register for Logical Device A.

Table 60 - Runtime Register Description

| NAME | REG OFFSET (hex) | DESCRIPTION |
|--|------------------|--|
| PME_STS Default = 0x00 on VTR POR | 00 (R/W) | Bit[0] PME_Status = 0 (default) = 1 Set when LPC47M10x would normally assert the nIO_PME signal, independent of the state of the PME_En bit. Bit[7:1] Reserved PME_Status is not affected by Vcc POR, SOFT RESET or HARD RESET. Writing a "1" to PME_Status will clear it and cause the LPC47M10x to stop asserting nIO_PME, in enabled. Writing a "0" to PME_Status has no effect. |
| N/A | 01 (R) | Reserved – reads return 0 |
| PME_EN Default = 0x00 on VTR POR | 02 (R/W) | Bit[0] PME_En = 0 nIO_PME signal assertion is disabled (default) = 1 Enables LPC47M10x to assert nIO_PME signal Bit[7:1] Reserved PME_En is not affected by Vcc POR, SOFT RESET or HARD RESET |
| N/A | 03 (R) | Reserved – reads return 0 |
| PME_STS1 Default = 0x00 on VTR POR | 04 (R/W) | PME Wake Status Register 1 This register indicates the state of the individual PME wake sources, independent of the individual source enables or the PME_En bit. If the wake source has asserted a wake event, the associated PME Wake Status bit will be a "1". Bit[0] Reserved (Note 7) Bit[1] RI2 Bit[2] RI1 Bit[3] KBD Bit[4] MOUSE Bit[5] SPEKEY (Wake on specific key) Bit[6] FAN_TACH1 Bit[7] FAN_TACH2 The PME Wake Status register is not affected by Vcc POR, SOFT RESET or HARD RESET. Writing a "1" to Bit[7:0] will clear it. Writing a "0" to any bit in PME Wake Status Register has no effect. |

| NAME | REG OFFSET (hex) | DESCRIPTION |
|--|---------------------|---|
| PME_STS2 Default = 0x00 on VTR POR | 05 (R/W) | PME Wake Status Register 2 This register indicates the state of the individual PME wake sources, independent of the individual source enables or the PME_En bit. If the wake source has asserted a wake event, the associated PME Wake Status bit will be a "1". Bit[0] GP10 Bit[1] GP11 Bit[2] GP12 Bit[3] GP13 Bit[4] GP14 Bit[5] GP15 Bit[6] GP16 Bit[7] GP17 The PME Wake Status register is not affected by Vcc POR, SOFT RESET or HARD RESET. Writing a "1" to Bit[7:0] will clear it. Writing a "0" to any bit in PME Wake Status Register has no effect. |
| PME_STS3 Default = 0x00 on VTR POR | 06 (R/W) | PME Wake Status Register 3 This register indicates the state of the individual PME wake sources, independent of the individual source enables or the PME_En bit. If the wake source has asserted a wake event, the associated PME Wake Status bit will be a "1". Bit[0] GP20 Bit[1] GP21 Bit[2] GP22 Bit[3] DEVINT_STS (status of group SMI signal for PME) Bit[4] GP24 Bit[5] GP25 Bit[6] GP26 Bit[7] GP27 The PME Wake Status register is not affected by Vcc POR, SOFT RESET or HARD RESET. Writing a "1" to Bit[7:0] will clear it. Writing a "0" to any bit in PME Wake Status Register has no effect. |
| PME_STS4 Default = 0x00 on VTR POR (Note 6) | 07 (R/W) | PME Wake Status Register 4 This register indicates the state of the individual PME wake sources, independent of the individual source enables or the PME_En bit. If the wake source has asserted a wake event, the associated PME Wake Status bit will be a "1". Bit[0] GP30 Bit[1] GP31 Bit[2] GP32 Bit[3] GP33 Bit[4] GP41 Bit[5] GP43 Bit[6] GP60 Bit[7] GP61 The PME Wake Status register is not affected by Vcc POR, SOFT RESET or HARD RESET. Writing a "1" to Bit[7:0] will clear it. Writing a "0" to any bit in PME Wake Status Register has no effect. |

| NAME | REG OFFSET (hex) | DESCRIPTION |
|--|---------------------|--|
| PME_STS5 Default = 0x00 on VTR POR (Note 6) | 08 (R/W) | PME Wake Status Register 5 This register indicates the state of the individual PME wake sources, independent of the individual source enables or the PME_En bit. If the wake source has asserted a wake event, the associated PME Wake Status bit will be a "1". Bit[0] GP50 Bit[1] GP51 Bit[2] GP52 Bit[3] GP53 Bit[4] GP54 Bit[5] GP55 Bit[6] GP56 Bit[7] GP57 The PME Wake Status register is not affected by Vcc POR, SOFT RESET or HARD RESET. Writing a "1" to Bit[7:0] will clear it. Writing a "0" to any bit in PME Wake Status Register has no effect. |
| N/A | 09 (R) | Reserved – reads return 0 |
| PME_EN1 Default = 0x00 on VTR POR | 0A (R/W) | PME Wake Enable Register 1 This register is used to enable individual LPC47M10x PME wake sources onto the nIO_PME wake bus. When the PME Wake Enable register bit for a wake source is active ("1"), if the source asserts a wake event so that the associated status bit is "1" and the PME_En bit is "1", the source will assert the nIO_PME signal. When the PME Wake Enable register bit for a wake source is inactive ("0"), the PME Wake Status register will indicate the state of the wake source but will not assert the nIO_PME signal. Bit[0] Reserved (Note 7) Bit[1] RI2 Bit[2] RI1 Bit[3] KBD Bit[4] MOUSE Bit[5] SPEKEY (Wake on specific key) Bit[6] FAN_TACH1 Bit[7] FAN_TACH2 The PME Wake Enable register is not affected by VCC POR, SOFT RESET or HARD RESET. |

| NAME | REG OFFSET (hex) | DESCRIPTION |
|---|---------------------|---|
| PME_EN2 Default = 0x00 on VTR POR | 0B (R/W) | PME Wake Enable Register 2 This register is used to enable individual LPC47M10x PME wake sources onto the nIO_PME wake bus. When the PME Wake Enable register bit for a wake source is active ("1"), if the source asserts a wake event so that the associated status bit is "1" and the PME_En bit is "1", the source will assert the nIO_PME signal. When the PME Wake Enable register bit for a wake source is inactive ("0"), the PME Wake Status register will indicate the state of the wake source but will not assert the nIO_PME signal. Bit[0] GP10 Bit[1] GP11 Bit[2] GP12 Bit[3] GP13 Bit[4] GP14 Bit[5] GP15 Bit[6] GP16 Bit[7] GP17 The PME Wake Enable register is not affected by Vcc POR, SOFT RESET or HARD RESET. |
| PME_EN3 Default = 0x00 on VTR POR | 0C (R/W) | PME Wake Status Register 3 This register is used to enable individual LPC47M10x PME wake sources onto the nIO_PME wake bus. When the PME Wake Enable register bit for a wake source is active ("1"), if the source asserts a wake event so that the associated status bit is "1" and the PME_En bit is "1", the source will assert the nIO_PME signal. When the PME Wake Enable register bit for a wake source is inactive ("0"), the PME Wake Status register will indicate the state of the wake source but will not assert the nIO_PME signal. Bit[0] GP20 Bit[1] GP21 Bit[2] GP22 Bit[3] DEVINT_EN (Enable bit for group SMI signal for PME) Bit[4] GP24 Bit[5] GP25 Bit[6] GP26 Bit[7] GP27 The PME Wake Enable register is not affected by Vcc POR, SOFT RESET or HARD RESET. |

| NAME | REG OFFSET (hex) | DESCRIPTION |
|---|---------------------|--|
| PME_EN4 Default = 0x00 on VTR POR | 0D (R/W) | PME Wake Enable Register 4 This register is used to enable individual LPC47M10x PME wake sources onto the nIO_PME wake bus. When the PME Wake Enable register bit for a wake source is active ("1"), if the source asserts a wake event so that the associated status bit is "1" and the PME_En bit is "1", the source will assert the nIO_PME signal. When the PME Wake Enable register bit for a wake source is inactive ("0"), the PME Wake Status register will indicate the state of the wake source but will not assert the nIO_PME signal. Bit[0] GP30 Bit[1] GP31 Bit[2] GP32 Bit[3] GP33 Bit[4] GP41 Bit[5] GP43 Bit[6] GP60 Bit[7] GP61 The PME Wake Enable register is not affected by Vcc POR, SOFT RESET or HARD RESET. |
| PME_EN5 Default = 0x00 on VTR POR | 0E (R/W) | PME Wake Enable Register 5 This register is used to enable individual LPC47M10x PME wake sources onto the nIO_PME wake bus. When the PME Wake Enable register bit for a wake source is active ("1"), if the source asserts a wake event so that the associated status bit is "1" and the PME_En bit is "1", the source will assert the nIO_PME signal. When the PME Wake Enable register bit for a wake source is inactive ("0"), the PME Wake Status register will indicate the state of the wake source but will not assert the nIO_PME signal. Bit[0] GP50 Bit[1] GP51 Bit[2] GP52 Bit[3] GP53 Bit[4] GP54 Bit[5] GP55 Bit[6] GP56 Bit[7] GP57 The PME Wake Enable register is not affected by Vcc POR, SOFT RESET or HARD RESET. |
| N/A | 0F (R) | Reserved – reads return 0 |
| SMI_STS1 Default = 0x02 on VTR POR Bit 1 is set to '1' on VCC POR, VTR POR, hard reset and soft reset | 10 (R/W) | SMI Status Register 1 This register is used to read the status of the SMI inputs. The following bits must be cleared at their source. Bit[0] Reserved Bit[1] PINT. The parallel port interrupt defaults to '1' when the parallel port activate bit is cleared. When the parallel port is activated, PINT follows the nACK input. Bit[2] U2INT Bit[3] U1INT Bit[4] FINT Bit[5] MPU-401 INT Bit[6] Reserved Bit[7] Reserved (Note 7) |

| NAME | REG OFFSET (hex) | DESCRIPTION |
|--|---------------------|---|
| SMI_STS2 Default = 0x00 on VTR POR | 11 (R/W) | SMI Status Register 2 This register is used to read the status of the SMI inputs. Bit[0] MINT. Cleared at source. Bit[1] KINT. Cleared at source. Bit[2] IRINT. This bit is set by a transition on the IR pin (IRRX or IRRX2 as selected in CR L5-F1-B6 i.e., after the MUX). Cleared by a read of this register. Bit[3] Reserved Bit[4] P12. Cleared at source. Bit[7:5] Reserved |
| SMI_STS3 Default = 0x00 on VTR POR | 12 (R/W) | SMI Status Register 3 This register is used to read the status of the SMI inputs. The following bits are cleared on a write of '1'. Bit[0] GP20 Bit[1] GP21 Bit[2] GP22 Bit[3] Reserved Bit[4] GP24 Bit[5] GP25 Bit[6] GP26 Bit[7] GP60 |
| SMI_STS4 Default = 0x00 on VTR POR (Note 6) | 13 (R/W) | SMI Status Register 4 This register is used to read the status of the SMI inputs. The following bits are cleared on a write of '1'. Bit[0] GP30 Bit[1] GP31 Bit[2] GP32 Bit[3] GP33 Bit[4] GP41 Bit[5] GP42 Bit[6] GP43 Bit[7] GP61 |
| SMI_STS5 Default = 0x00 on VTR POR | 14 (R/W) | SMI Status Register 5 This register is used to read the status of the SMI inputs. The following bits are cleared on a write of '1'. Bit[0] GP54 Bit[1] GP55 Bit[2] GP56 Bit[3] GP57 Bit[4] Reserved Bit[5] Reserved Bit[6] FAN_TACH1 Bit[7] FAN_TACH2 |
| N/A | 15 (R) | Reserved – reads return 0 |

| NAME | REG OFFSET (hex) | DESCRIPTION |
|---|---------------------|---|
| SMI_EN1 Default = 0x00 on VTR POR | 16 (R/W) | SMI Enable Register 1 This register is used to enable the different interrupt sources onto the group nSMI output. 1=Enable 0=Disable Bit[0] Reserved Bit[1] EN_PINT Bit[2] EN_U2INT Bit[3] EN_U1INT Bit[4] EN_FINT Bit[5] EN_MPU-401 INT Bit[6] Reserved Bit[7] Reserved (Note 7) |
| SMI_EN2 Default = 0x00 on VTR POR | 17 (R/W) | SMI Enable Register 2 This register is used to enable the different interrupt sources onto the group nSMI output, and the group nSMI output onto the nIO_SMI GPIO pin, the serial IRQ stream or into the PME Logic. Unless otherwise noted, 1=Enable 0=Disable Bit[0] EN_MINT Bit[1] EN_KINT Bit[2] EN_IRINT Bit[3] Reserved Bit[4] EN_P12 Bit[5] EN_SMI_PME (Enable group SMI into PME logic) Bit[6] EN_SMI_S (Enable group SMI onto serial IRQ) Bit[7] EN_SMI (Enable group SMI onto nIO_SMI pin) |
| SMI_EN3 Default = 0x00 on VTR POR | 18 (R/W) | SMI Enable Register 3 This register is used to enable the different interrupt sources onto the group nSMI output. 1=Enable 0=Disable Bit[0] GP20 Bit[1] GP21 Bit[2] GP22 Bit[3] Reserved Bit[4] GP24 Bit[5] GP25 Bit[6] GP26 Bit[7] GP60 |
| SMI_EN4 Default = 0x00 on VTR POR | 19 (R/W) | SMI Enable Register 4 This register is used to enable the different interrupt sources onto the group nSMI output. 1=Enable 0=Disable Bit[0] GP30 Bit[1] GP31 Bit[2] GP32 Bit[3] GP33 Bit[4] GP41 Bit[5] GP42 Bit[6] GP43 Bit[7] GP61 |

| NAME | REG OFFSET (hex) | DESCRIPTION |
|---|---------------------|---|
| SMI_EN5 Default = 0x00 on VTR POR | 1A (R/W) | SMI Enable Register 5 This register is used to enable the different interrupt sources onto the group nSMI output. 1=Enable 0=Disable Bit[0] GP54 Bit[1] GP55 Bit[2] GP56 Bit[3] GP57 Bit[4] Reserved Bit[5] Reserved Bit[6] FAN_TACH1 Bit[7] FAN_TACH2 |
| N/A | 1B (R) | Reserved – reads return 0 |
| MSC_STS Default = 0x00 on VTR POR | 1C (R/W) | Miscellaneous Status Register Bits[5:0] can be cleared by writing a 1 to their position (writing a 0 has no effect). Bit[0] Either Edge Triggered Interrupt Input 0 Status. This bit is set when an edge occurs on the GP21 pin. Bit[1] Either Edge Triggered Interrupt Input 1 Status. This bit is set when an edge occurs on the GP22 pin. Bit[2] Either Edge Triggered Interrupt Input 2 Status. This bit is set when an edge occurs on the GP41 pin. Bit[3] Either Edge Triggered Interrupt Input 3 Status. This bit is set when an edge occurs on the GP43 pin. Bit[4] Either Edge Triggered Interrupt Input 4 Status. This bit is set when an edge occurs on the GP60 pin. Bit[5] Either Edge Triggered Interrupt Input 5 Status. This bit is set when an edge occurs on the GP61 pin. Bit[7:6] Reserved. This bit always returns zero. |
| N/A | 1D (R) | Reserved – reads return 0 |
| Force Disk Change Default = 0x01 on VCC POR | 1E (R/W) | Force Disk Change Bit[0] Force Disk Change for FDC0 0=Inactive 1=Active Bit[1] Force Disk Change for FDC1 0=Inactive 1=Active Force Change 0 and 1 can be written to 1 but are not clearable by software. Force Change 0 is cleared on nSTEP and nDS0 Force Change 1 is cleared on nSTEP and nDS1 DSKCHG (FDC DIR Register, Bit 7) = (nDS0 AND Force Change 0) OR (nDS1 AND Force Change 1) OR nDSKCHG Setting either of the Force Disk Change bits active '1' forces the FDD nDSKCHG input active when the appropriate drive has been selected. Bit[7:2] Reserved |

| NAME | REG OFFSET (hex) | DESCRIPTION |
|--------------------------------|---------------------|---|
| Floppy Data Rate Select Shadow | 1F (R) | Floppy Data Rate Select Shadow Bit[0] Data Rate Select 0 Bit[1] Data Rate Select 1 Bit[2] PRECOMP 0 Bit[3] PRECOMP 1 Bit[4] PRECOMP 2 Bit[5] Reserved Bit[6] Power Down Bit[7] Soft Reset |
| UART1 FIFO Control Shadow | 20 (R) | UART FIFO Control Shadow 1 Bit[0] FIFO Enable Bit[1] RCVR FIFO Reset Bit[2] XMIT FIFO Reset Bit[3] DMA Mode Select Bit[5:4] Reserved Bit[6] RCVR Trigger (LSB) Bit[7] RCVR Trigger (MSB) |
| UART2 FIFO Control Shadow | 21 (R) | UART FIFO Control Shadow 2 Bit[0] FIFO Enable Bit[1] RCVR FIFO Reset Bit[2] XMIT FIFO Reset Bit[3] DMA Mode Select Bit[5:4] Reserved Bit[6] RCVR Trigger (LSB) Bit[7] RCVR Trigger (MSB) |

| NAME | REG OFFSET (hex) | DESCRIPTION |
|--|---|---|
| Device Disable Register Default = 0x00 VTR POR | 22 Read/Write when GP43 register bits[3:2] = 01 AND GP43 pin = 0 OR GP43 register bits[3:2] ≠ 01 READ-ONLY When GP43 register bits[3:2] =01 AND GP43 pin = 1 | If "0" (enabled), bits[7:3] have no effect on the devices; devices are controlled by their respective activate bits. If "1" (disabled), bits[7:3] override the activate bits in the configuration registers for each logical block. Bit[0]: Floppy Write Protect. 0= no effect: floppy write protection is controlled by the write protect pin or the forced write protect bit (bit 0 of register 0xF1 in Logical Device 0); 1= Write Protected. If set to 1, this bit overrides the write protect pin on the part and the forced write protect bit. nWRTPRT (to the FDC Core) = (nDS0 AND Force Write Protect) OR (nDS1 AND Force Write Protect)OR nWRTPRT (from the FDD Interface) OR Floppy Write Protect Note: The Force Write Protect bit is in the FDD Option configuration register. Bits[2:1]: Reserved. Return 0 on read. Bit[3]: Floppy Enable. 0=No effect: FDC controlled by its activate bit; 1=Floppy Disabled Bit[4]: MPU-401 Serial Port Enable. 0=No effect: MPU-401 UART controlled by its activate bit; 1=MPU-401 UART Disabled Bit[5]: Serial Port 2 Enable. 0=No effect: UART2 controlled by its activate bit; 1=UART2 Disabled Bit[6]: Serial Port 1 Enable. 0=No effect: UART1 controlled by its activate bit; 1=UART1 Disabled Bit[7]: Parallel Port Enable. 0=No effect: PP controlled by its activate bit; 1=PP Disabled |
| GP10 Default = 0x01 on VTR POR | 23 (R/W) | General Purpose I/O bit 1.0 Bit[0] In/Out : =1 Input, =0 Output Bit[1] Polarity : =1 Invert, =0 No Invert Bit[2] Alternate Function Select 1=J1B1 (Joystick 1, Button 1) 0=GPIO Bits[6:3] Reserved Bit[7] Output Type Select 1=Open Drain 0=Push Pull |
| GP11 Default = 0x01 on VTR POR | 24 (R/W) | General Purpose I/O bit 1.1 Bit[0] In/Out : =1 Input, =0 Output Bit[1] Polarity : =1 Invert, =0 No Invert Bit[2] Alternate Function Select 1= J1B2 (Joystick 1, Button 2) 0=GPIO Bits[6:3] Reserved Bit[7] Output Type Select 1=Open Drain 0=Push Pull |

| NAME | REG OFFSET (hex) | DESCRIPTION |
|--|---------------------|--|
| GP12 Default = 0x01 on VTR POR | 25 (R/W) | General Purpose I/O bit 1.2 Bit[0] In/Out : =1 Input, =0 Output Bit[1] Polarity :=1 Invert, =0 No Invert Bit[2] Alternate Function Select 1= J2B1 (Joystick 2, Button 1) 0=GPIO Bits[6:3] Reserved Bit[7] Output Type Select 1=Open Drain 0=Push Pull |
| GP13 Default = 0x01 on VTR POR | 26 (R/W) | General Purpose I/O bit 1.3 Bit[0] In/Out : =1 Input, =0 Output Bit[1] Polarity : =1 Invert, =0 No Invert Bit[2] Alternate Function Select 1= J2B2 (Joystick 2, Button 2) 0=GPIO Bits[6:3] Reserved Bit[7] Output Type Select 1=Open Drain 0=Push Pull |
| GP14 Default = 0x01 on VTR POR | 27 (R/W) | General Purpose I/O bit 1.4 Bit[0] In/Out : =1 Input, =0 Output Bit[1] Polarity : =1 Invert, =0 No Invert Bit[2] Alternate Function Select 1= J1X (Joystick 1, X-Axis RC Constant) 0=GPIO Bits[6:3] Reserved Bit[7] Output Type Select 1=Open Drain 0=Push Pull |
| GP15 Default = 0x01 on VTR POR | 28 (R/W) | General Purpose I/O bit 1.5 Bit[0] In/Out : =1 Input, =0 Output Bit[1] Polarity : =1 Invert, =0 No Invert Bit[2] Alternate Function Select 1= J1Y (Joystick 1, Y-Axis RC Constant) 0=GPIO Bits[6:3] Reserved Bit[7] Output Type Select 1=Open Drain 0=Push Pull |
| GP16 Default = 0x01 on VTR POR | 29 (R/W) | General Purpose I/O bit 1.6 Bit[0] In/Out : =1 Input, =0 Output Bit[1] Polarity : =1 Invert, =0 No Invert Bit[2] Alternate Function Select 1= J2X (Joystick 2, X-Axis RC Constant) 0=GPIO Bits[6:3] Reserved Bit[7] Output Type Select 1=Open Drain 0=Push Pull |

| NAME | REG OFFSET (hex) | DESCRIPTION |
|--|---------------------|--|
| GP17 Default = 0x01 on VTR POR | 2A (R/W) | General Purpose I/O bit 1.7 Bit[0] In/Out : =1 Input, =0 Output Bit[1] Polarity : =1 Invert, =0 No Invert Bit[2] Alternate Function Select 1= J2Y (Joystick 2, Y-Axis RC Constant) 0=GPIO Bits[6:3] Reserved Bit[7] Output Type Select 1=Open Drain 0=Push Pull |
| GP20 Default = 0x01 on VTR POR | 2B (R/W) | General Purpose I/O bit 2.0 Bit[0] In/Out : =1 Input, =0 Output Bit[1] Polarity : =1 Invert, =0 No Invert Bit[2] Alternate Function Select 1=8042 P17 function (User Note 2) 0=Basic GPIO function Bits[6:3] Reserved Bit[7] Output Type Select 1=Open Drain 0=Push Pull |
| GP21 Default =0x01 on VTR POR | 2C (R/W) | General Purpose I/O bit 2.1 Bit[0] In/Out : =1 Input, =0 Output Bit[1] Polarity : =1 Invert, =0 No Invert Bit[3:2] Alternate Function Select 11= nDS1 – Floppy Drive Select 1 (Note 4) 10=Either Edge Triggered Interrupt Input 0 (Note 1) 01=8042 P16 function (User Note 2) 00=Basic GPIO function Bits[6:4] Reserved Bit[7] Output Type Select 1=Open Drain 0=Push Pull |
| GP22 Default =0x01 on VTR POR | 2D (R/W) | General Purpose I/O bit 2.2 Bit[0] In/Out : =1 Input, =0 Output Bit[1] Polarity : =1 Invert, =0 No Invert Bit[3:2] Alternate Function Select 11= nMTR1 – Floppy Motor Select 1 (Note 4) 10=Either Edge Triggered Interrupt Input 1 (Note 1) 01=8042 P12 function (User Note 2) 00=Basic GPIO function Bits[6:4] Reserved Bit[7] Output Type Select 1=Open Drain 0=Push Pull |
| N/A | 2E (R) | Reserved – reads return 0 |
| GP24 Default = 0x01 on VTR POR | 2F (R/W) | General Purpose I/O bit 2.4 Bit[0] In/Out : =1 Input, =0 Output Bit[1] Polarity : =1 Invert, =0 No Invert Bit[2] Reserved Bits[6:3] Reserved Bit[7] Output Type Select 1=Open Drain 0=Push Pull |

| NAME | REG OFFSET (hex) | DESCRIPTION |
|--|---------------------|---|
| GP25 Default = 0x01 on VTR POR | 30 (R/W) | General Purpose I/O bit 2.5 Bit[0] In/Out : =1 Input, =0 Output Bit[1] Polarity : =1 Invert, =0 No Invert Bit[2] Alternate Function Select 1=MIDI_IN 0=GPIO Bits[6:3] Reserved Bit[7] Output Type Select 1=Open Drain 0=Push Pull |
| GP26 Default = 0x01 on VTR POR | 31 (R/W) | General Purpose I/O bit 2.6 Bit[0] In/Out : =1 Input, =0 Output Bit[1] Polarity : =1 Invert, =0 No Invert Bit[2] Alternate Function Select 1=MIDI_OUT 0=GPIO Bits[6:3] Reserved Bit[7] Output Type Select 1=Open Drain 0=Push Pull |
| GP27 Default = 0x01 on VTR POR | 32 (R/W) | General Purpose I/O bit 2.7 Bit[0] In/Out : =1 Input, =0 Output Bit[1] Polarity : =1 Invert, =0 No Invert Bit[2] Alternate Function Select 1=nIO_SMI (Note 5) 0=GPIO Bits[6:3] Reserved Bit[7] Output Type Select 1=Open Drain 0=Push Pull |
| GP30 Default = 0x01 on VTR POR | 33 (R/W) | General Purpose I/O bit 3.0 Bit[0] In/Out : =1 Input, =0 Output Bit[1] Polarity : =1 Invert, =0 No Invert Bit[2] Alternate Function Select 1=FAN_TACH2 0=GPIO Bits[6:3] Reserved Bit[7] Output Type Select 1=Open Drain 0=Push Pull |
| GP31 Default = 0x01 on VTR POR | 34 (R/W) | General Purpose I/O bit 3.1 Bit[0] In/Out : =1 Input, =0 Output Bit[1] Polarity : =1 Invert, =0 No Invert Bit[2] Alternate Function Select 1=FAN_TACH1 0=GPIO Bits[6:3] Reserved Bit[7] Output Type Select 1=Open Drain 0=Push Pull |

| NAME | REG OFFSET (hex) | DESCRIPTION |
|--|---------------------|--|
| GP32 Default = 0x01 on VTR POR Default = 0x00 on VCC POR and Hard Reset (Note 3) | 35 (R/W) | General Purpose I/O bit 3.2 Bit[0] In/Out : =1 Input, =0 Output Bit[1] Polarity : =1 Invert, =0 No Invert Bit[2] Alternate Function Select 1=FAN2 0=GPIO Bits[6:3] Reserved Bit[7] Output Type Select 1=Open Drain 0=Push Pull |
| GP33 Default = 0x01 on VTR POR Default = 0x00 on VCC POR and Hard Reset (Note 3) | 36 (R/W) | General Purpose I/O bit 3.3 Bit[0] In/Out : =1 Input, =0 Output Bit[1] Polarity : =1 Invert, =0 No Invert Bit[2] Alternate Function Select 1=FAN1 0=GPIO Bits[6:3] Reserved Bit[7] Output Type Select 1=Open Drain 0=Push Pull |
| GP34 Default = 0x05 on VTR POR | 37 (R/W) | General Purpose I/O bit 3.4 Bit[0] In/Out : =1 Input, =0 Output Bit[1] Polarity : =1 Invert, =0 No Invert Bit[2] Alternate Function Select 1=IRRX2 0=GPIO Bits[6:3] Reserved Bit[7] Output Type Select 1=Open Drain 0=Push Pull |
| GP35 Default = 0x04 on VTR POR, VCC POR and Hard Reset (Note 3) | 38 (R/W) | General Purpose I/O bit 3.5 Bit[0] In/Out : =1 Input, =0 Output Bit[1] Polarity : =1 Invert, =0 No Invert Bit[2] Alternate Function Select 1=IRTX2 (Note 2) 0=GPIO Bits[6:3] Reserved Bit[7] Output Type Select 1=Open Drain 0=Push Pull |
| GP36 Default = 0x01 on VTR POR | 39 (R/W) | General Purpose I/O bit 3.6 Bit[0] In/Out : =1 Input, =0 Output Bit[1] Polarity : =1 Invert, =0 No Invert Bit[2] Alternate Function Select 1= nKBDRST 0=Basic GPIO function Bits[6:3] Reserved Bit[7] Output Type Select 1=Open Drain 0=Push Pull |

| NAME | REG OFFSET (hex) | DESCRIPTION |
|--|---------------------|---|
| GP37 Default = 0x01 on VTR POR | 3A (R/W) | General Purpose I/O bit 3.7 Bit[0] In/Out : =1 Input, =0 Output Bit[1] Polarity : =1 Invert, =0 No Invert Bit[2] Alternate Function Select 1=A20M 0=Basic GPIO function Bits[6:3] Reserved Bit[7] Output Type Select 1=Open Drain 0=Push Pull |
| GP40 Default =0x01 on VTR POR | 3B (R/W) | General Purpose I/O bit 4.0 Bit[0] In/Out : =1 Input, =0 Output Bit[1] Polarity : =1 Invert, =0 No Invert Bit[2] Alternate Function Select 1=DRVDEN0 (Note 4) 0=Basic GPIO function Bits[6:3] Reserved Bit[7] Output Type Select 1=Open Drain 0=Push Pull |
| GP41 Default =0x01 on VTR POR | 3C (R/W) | General Purpose I/O bit 4.1 Bit[0] In/Out : =1 Input, =0 Output Bit[1] Polarity : =1 Invert, =0 No Invert Bit[3:2] Alternate Function Select 11=Reserved 10=Either Edge Triggered Interrupt Input 2 (Note 1) 01=DRVDEN1 (Note 4) 00=Basic GPIO function Bits[6:4] Reserved Bit[7] Output Type Select 1=Open Drain 0=Push Pull |
| GP42 Default =0x01 on VTR POR | 3D (R/W) | General Purpose I/O bit 4.2 Bit[0] In/Out : =1 Input, =0 Output Bit[1] Polarity : =1 Invert, =0 No Invert Bit[2] Alternate Function Select 1=nIO_PME Note: Configuring this pin function as output with non-inverted polarity will give an active low output signal. The output type can be either open drain or push-pull. 0=Basic GPIO function Bits[6:3] Reserved Bit[7] Output Type Select 1=Open Drain 0=Push Pull |

| NAME | REG OFFSET (hex) | DESCRIPTION |
|---|------------------------|--|
| <p>GP43</p> <p>Default = 0x01 on VTR POR Bits[3:2] are reset (cleared) on VCC POR, VTR POR and Hard Reset</p> | <p>3E</p> <p>(R/W)</p> | <p>General Purpose I/O bit 4.3 Bit[0] In/Out : =1 Input, =0 Output Bit[1] Polarity : =1 Invert, =0 No Invert Bit[3:2] Alternate Function Select 11=Either Edge Triggered Interrupt Input 3 (Note 1), 10= Reserved 01=Device Disable Register Control. The GP43 pin is an input, with non-inverted polarity. When bits[3:2]=01, they cannot be changed by writing to these bits; they are cleared by VCC POR, Hard Reset and VTR POR. That is, when the DDRC function is selected for this pin, it cannot be changed, except by a VCC POR, Hard Reset or VTR POR. The Device Disable register is controlled by the value of the GP43 pin as follows: If the GP43 pin is high, the Device Disable Register is Read-Only. If the GP43 pin is low, the Device Disable Register is Read/Write. 00=Basic GPIO function Bits[6:4] Reserved Bit[7] Output Type Select 1=Open Drain 0=Push Pull</p> |
| <p>GP50</p> <p>Default = 0x01 on VTR POR</p> | <p>3F</p> <p>(R/W)</p> | <p>General Purpose I/O bit 5.0 Bit[0] In/Out : =1 Input, =0 Output Bit[1] Polarity : =1 Invert, =0 No Invert Bit[3:2] Alternate Function Select 11=Reserved 10=Reserved 01=nRI2 (User Note 1) 00=GPIO Bits[6:4] Reserved Bit[7] Output Type Select 1=Open Drain 0=Push Pull</p> |
| <p>GP51</p> <p>Default = 0x01 on VTR POR</p> | <p>40</p> <p>(R/W)</p> | <p>General Purpose I/O bit 5.1 Bit[0] In/Out : =1 Input, =0 Output Bit[1] Polarity : =1 Invert, =0 No Invert Bit[3:2] Alternate Function Select 11=Reserved 10=Reserved 01=nDCD2 00=GPIO Bits[6:4] Reserved Bit[7] Output Type Select 1=Open Drain 0=Push Pull</p> |

| NAME | REG OFFSET (hex) | DESCRIPTION |
|--|---------------------|--|
| GP52 Default = 0x01 on VTR POR | 41 (R/W) | General Purpose I/O bit 5.2 Bit[0] In/Out : =1 Input, =0 Output Bit[1] Polarity : =1 Invert, =0 No Invert Bit[3:2] Alternate Function Select 11=Reserved 10=Reserved 01=RXD2 00=GPIO Bits[6:4] Reserved Bit[7] Output Type Select 1=Open Drain 0=Push Pull |
| GP53 Default = 0x00 on VTR POR, VCC POR and Hard Reset (Note 4) | 42 (R/W) | General Purpose I/O bit 5.3 Bit[0] In/Out : =1 Input, =0 Output Bit[1] Polarity : =1 Invert, =0 No Invert Bit[3:2] Alternate Function Select 11= Reserved 10= Reserved 01=TXD2 00=GPIO Bits[6:4] Reserved Bit[7] Output Type Select 1=Open Drain 0=Push Pull |
| GP54 Default = 0x01 on VTR POR | 43 (R/W) | General Purpose I/O bit 5.4 Bit[0] In/Out : =1 Input, =0 Output Bit[1] Polarity : =1 Invert, =0 No Invert Bit[3:2] Alternate Function Select 11= Reserved 10= Reserved 01=nDSR2 00=GPIO Bits[6:4] Reserved Bit[7] Output Type Select 1=Open Drain 0=Push Pull |
| GP55 Default = 0x01 on VTR POR | 44 (R/W) | General Purpose I/O bit 5.5 Bit[0] In/Out : =1 Input, =0 Output Bit[1] Polarity : =1 Invert, =0 No Invert Bit[3:2] Alternate Function Select 11= Reserved 10= Reserved 01=nRTS2 00=GPIO Bits[6:4] Reserved Bit[7] Output Type Select 1=Open Drain 0=Push Pull |

| NAME | REG OFFSET (hex) | DESCRIPTION |
|--|---------------------|---|
| GP56 Default = 0x01 on VTR POR | 45 (R/W) | General Purpose I/O bit 5.6 Bit[0] In/Out : =1 Input, =0 Output Bit[1] Polarity : =1 Invert, =0 No Invert Bit[3:2] Alternate Function Select 11=Reserved 10=Reserved 01=nCTS2 00=GPIO Bits[6:4] Reserved Bit[7] Output Type Select 1=Open Drain 0=Push Pull |
| GP57 Default = 0x01 on VTR POR | 46 (R/W) | General Purpose I/O bit 5.7 Bit[0] In/Out : =1 Input, =0 Output Bit[1] Polarity : =1 Invert, =0 No Invert Bit[3:2] Alternate Function Select 11=Reserved 10=Reserved 01=nDTR2 00=GPIO Bits[6:4] Reserved Bit[7] Output Type Select 1=Open Drain 0=Push Pull |
| GP60 Default = 0x01 on VTR POR | 47 (R/W) | General Purpose I/O bit 6.0 Bit[0] In/Out : =1 Input, =0 Output Bit[1] Polarity : =1 Invert, =0 No Invert Bit[3:2] Alternate Function Select 11=Reserved 10=Either Edge Triggered Interrupt Input 4 (Note 1), 01=LED1 00=GPIO Bits[6:4] Reserved Bit[7] Output Type Select 1=Open Drain 0=Push Pull |
| GP61 Default = 0x01 on VTR POR | 48 (R/W) | General Purpose I/O bit 6.1 Bit[0] In/Out : =1 Input, =0 Output Bit[1] Polarity : =1 Invert, =0 No Invert Bit[3:2] Alternate Function Select 11=Reserved 10=Either Edge Triggered Interrupt Input 5 (Note 1), (Eng. Note 3) 01=LED2 00=GPIO Bits[6:4] Reserved Bit[7] Output Type Select 1=Open Drain 0=Push Pull |
| N/A | 49 (R) | Reserved – reads return 0 |
| N/A | 4A (R) | Reserved – reads return 0 |

| NAME | REG OFFSET (hex) | DESCRIPTION |
|---|---------------------|---|
| GP1 Default = 0x00 on VTR POR | 4B (R/W) | General Purpose I/O Data Register 1 Bit[0] GP10 Bit[1] GP11 Bit[2] GP12 Bit[3] GP13 Bit[4] GP14 Bit[5] GP15 Bit[6] GP16 Bit[7] GP17 |
| GP2 Default = 0x00 on VTR POR | 4C (R/W) | General Purpose I/O Data Register 2 Bit[0] GP20 Bit[1] GP21 Bit[2] GP22 Bit[3] Reserved Bit[4] GP24 Bit[5] GP25 Bit[6] GP26 Bit[7] GP27 |
| GP3 Default = 0x00 on VTR POR Bits 2 and 3 are reset on VCC POR, Hard Reset and VTR POR | 4D (R/W) | General Purpose I/O Data Register 3 Bit[0] GP30 Bit[1] GP31 Bit[2] GP32 Bit[3] GP33 Bit[4] GP34 Bit[5] GP35 Bit[6] GP36 Bit[7] GP37 |
| GP4 Default = 0x00 on VTR POR | 4E (R/W) | General Purpose I/O Data Register 4 Bit[0] GP40 Bit[1] GP41 Bit[2] GP42 Bit[3] GP43 Bit[7:4] Reserved |
| GP5 Default = 0x00 on VTR POR Bit 3 is reset on VCC POR, Hard Reset and VTR POR | 4F (R/W) | General Purpose I/O Data Register 5 Bit[0] GP50 Bit[1] GP51 Bit[2] GP52 Bit[3] GP53 Bit[4] GP54 Bit[5] GP55 Bit[6] GP56 Bit[7] GP57 |
| GP6 Default = 0x00 on VTR POR | 50 (R/W) | General Purpose I/O Data Register 6 Bit[0] GP60 Bit[1] GP61 Bit[7:2] Reserved |
| N/A | 51 (R) | Reserved – reads return 0 |
| N/A | 52 (R) | Reserved – reads return 0 |
| N/A | 53 (R) | Reserved – reads return 0 |
| N/A | 54 (R) | Reserved – reads return 0 |
| N/A | 55 (R) | Reserved – reads return 0 |

| NAME | REG OFFSET (hex) | DESCRIPTION |
|--|---------------------|---|
| FAN1 Default = 0x00 on VTR POR | 56 (R/W) | FAN Register 1 Bit[0] Fan Control 1=FAN1 pin is high 0=bits[6:1] control the duty cycle of the FAN1 pin. Bit[6:1] Duty Cycle Control for FAN1 Control the duty cycle of the FAN1 pin 000000 = pin is low 100000 = 50% duty cycle 111111 = pin is high for 63, low for 1 Bit[7] Fan 1 Clock Select This bit is used with the Fan 1 Clock Source Select and the Fan 1 Clock Multiplier bits in the Fan Control register (0x58) to determine the fan speed F_{OUT} . See "Different Modes for Fan" table in "Fan Speed Control and Monitoring" section. The fan speed may be doubled through bit 2 of Fan Control Register at 0x58. |
| FAN2 Default = 0x00 on VTR POR | 57 (R/W) | FAN Register 2 Bit[0] Fan Control 1=FAN2 pin is high 0=bits[6:1] control the duty cycle of the FAN2 pin. Bit[6:1] Duty Cycle Control for FAN2 Control the duty cycle of the FAN2 pin 000000 = pin is low 100000 = 50% duty cycle 111111 = pin is high for 63, low for 1 Bit[7] Fan 2 Clock Select This bit is used with the Fan 2 Clock Source Select and the Fan 2 Clock Multiplier bits in the Fan Control register (0x58) to determine the fan speed F_{OUT} . See "Different Modes for Fan" in "Fan Speed Control and Monitoring" section. The fan speed may be doubled through bit 3 of Fan Control Register at 0x58. |

| NAME | REG OFFSET (hex) | DESCRIPTION |
|--|---------------------|---|
| Fan Control Default = 0x50 on VTR POR | 58 (R/W) | <p>Fan Control Register</p> <p>Bit[0] Fan 1 Clock Source Select This bit and the Fan 1 Clock Multiplier bit is used with The Fan 1 Clock Select bit in the Fan 1 register (0x56) to determine the fan speed F_{OUT}. See “Different Modes for Fan” table (Table 50) in “Fan Speed Control and Monitoring” section.</p> <p>Bit[1] Fan 2 Clock Source Select This bit and the Fan 2 Clock Multiplier bit is used with The Fan 2 Clock Select bit in the Fan 2 register (0x57) to determine the fan speed F_{OUT}. See “Different Modes for Fan” table (Table 50) in “Fan Speed Control and Monitoring” section.</p> <p>Bit[2] Fan 1 Clock multiplier 0=No multiplier used 1=Double the fan speed selected by bit 0 of this register and bit 7 of the FAN1 register</p> <p>Bit[3] Fan 2 Clock multiplier 0=No multiplier used 1=Double the fan speed selected by bit 1 of this register and bit 7 of the FAN2 register</p> <p>Bit[5:4] The FAN1 count divisor. Clock scalar for adjusting the tachometer count. Default = 2. 00: divisor = 1 01: divisor = 2 10: divisor = 4 11: divisor = 8</p> <p>Bit[7:6] The FAN2 count divisor. Clock scalar for adjusting the tachometer count. Default = 2. 00: divisor = 1 01: divisor = 2 10: divisor = 4 11: divisor = 8</p> |
| Fan1 Tachometer Register Default = 0x00 on VTR POR | 59 (R) | <p>Fan Tachometer Register 1</p> <p>Bit[7:0] The 8-bit FAN1 tachometer count. The number of counts of the internal clock per pulse of the fan. The count value is computed from Equation 1. This value is the final (maximum) count of the previous pulse (latched). The value in this register may not be valid for up to 2 pulses following a write to the preload register.</p> |
| Fan2 Tachometer Register Default = 0x00 on VTR POR | 5A (R) | <p>Fan Tachometer Register 2</p> <p>Bit[7:0] The 8-bit FAN2 tachometer count. The number of counts of the internal clock per pulse of the fan. The count value is computed from Equation 1. This value is the final (maximum) count of the previous pulse (latched). The value in this register may not be valid for up to 2 pulses following a write to the preload register.</p> |
| Fan1 Preload Register Default = 0x00 on VTR POR | 5B (R/W) | <p>Fan Preload Register 1</p> <p>Bit[7:0] The FAN1 tachometer preload. This is the initial value used in the computation of the FAN1 count. Writing this register resets the tachometer count.</p> |
| Fan2 Preload Register Default = 0x00 on VTR POR | 5C (R/W) | <p>Fan Preload Register 2</p> <p>Bit[7:0] The FAN2 tachometer preload. This is the initial value used in the computation of the FAN2 count. Writing this register resets the tachometer count.</p> |

| NAME | REG OFFSET (hex) | DESCRIPTION |
|--|---------------------|---|
| LED1 Default = 0x00 on VTR POR | 5D (R/W) | LED1 Bit[1:0] LED1 Control 00=off 01=blink at 1Hz rate with a 50% duty cycle (0.5 sec on, 0.5 sec off) 10=Blink at ½ HZ rate with a 25% duty cycle (0.5 sec on, 1.5 sec off) 11=on Bits[7:2] Reserved |
| LED2 Default = 0x00 on VTR POR | 5E (R/W) | LED2 Bit[1:0] LED2 Control 00=off 01=blink at 1Hz rate with a 50% duty cycle (0.5 sec on, 0.5 sec off) 10=Blink at ½ HZ rate with a 25% duty cycle (0.5 sec on, 1.5 sec off) 11=on Bits[7:2] Reserved |
| Keyboard Scan Code Default = 0x00 on VTR POR | 5F (R/W) | Keyboard Scan Code Bit[0] LSB of Scan Code Bit[7] MSB of Scan Code |
| N/A | 60-7F (R) | Reserved – reads return 0 |

User Note: When selecting an alternate function for a GPIO pin, all bits in the GPIO register must be properly programmed, including in/out, polarity and output type. The polarity bit does not affect the DDR_C function or the either edge triggered interrupt functions.

User Note 1: If this pin is used for Ring Indicator wakeup, either the nRI2 event can be enabled via bit 1 in the PME_EN1 register or the GP50 PME event can be enabled via bit 0 in the PME_EN5 register.

User Note 2: In order to use the P12, P16 and P17 functions, the corresponding GPIO must be programmed for output, non-invert, and push-pull output type. The P17 function should not be selected on GP20 and GP 62 simultaneously. If P17 is selected on GP20 and GP62, simultaneously, then P17 on GP62 will function and P17 on GP20 will not.

Note 1: If the EETI function is selected for this GPIO then both a high-to-low and a low-to-high edge will set the PME, SMI and MSC status bits

Note 2: The IRTX2 function can be used on this pin if the IR Location Mux bit in the Serial Port 2 IR Option register is set

Note 3: These pins default to an output and LOW on VCC POR and Hard Reset.

Note 4: If the FDC function is selected on this pin (nMTR1, nDS1, DRVDEN0, DRVDEN1) then bit 6 of the FDD Mode Register (Configuration Register 0xF0 in Logical Device 0) will override bit 7 in the GPIO Control Register. Bit 7 of the FDD Mode Register will also affect the pin if the FDC function is selected.

Note 5: The nIO_SMI pin is inactive when the internal group SMI signal is inactive and when the SMI enable bit (EN_SMI, bit 7 of the SMI_EN2 register) is '0'. When the output buffer type is OD, nIO_SMI pin is floating when inactive; when the output buffer type is push-pull, the nIO_SMI pin is high when inactive.

Note 6: Bits 2 and 3 of the PME_STS4 and SMI_STS4 registers, and bit 3 of the PME_STS5 register may be set on a VCC POR. If GP32, GP33 and GP53 are configured as input, then their corresponding PME and SMI status bits will be set on a VCC POR since these pins revert to their non-inverting GPIO output function when VCC is removed from the part. These GPIOs cannot be used for PME wakeup when the part is under VTR power (VCC=0).

Note 7: These bits are R/W but have no effect on circuit operation.

The following register is located at an offset of zero from (GAME_PORT) the address into the base I/O address register for Logical Device 9.

Table 61 - Game Port

| NAME | REG OFFSET (hex) | DESCRIPTION |
|---------------------------|------------------|---|
| Game Port Register | 00 | Game Port Register |
| Default = 0x00 on VTR POR | (R) | Bit[0] X-Axis Joystick 1 (OUT1A) Bit[1] Y-Axis Joystick 1 (OUT1B) Bit[2] X-Axis Joystick 2 (OUT2A) Bit[3] YAxis Joystick 2 (OUT2B) Bit[4] Button Joystick 1 (J1B1) Bit[5] Button Joystick 1 (J1B2) Bit[6] Button Joystick 2 (J2B1) Bit[7] Button Joystick 2 (J2B2) |

CONFIGURATION

The Configuration of the LPC47M10x is very flexible and is based on the configuration architecture implemented in typical Plug-and-Play components. The LPC47M10x is designed for motherboard applications in which the resources required by their components are known. With its flexible resource allocation architecture, the LPC47M10x allows the BIOS to assign resources at POST.

SYSTEM ELEMENTS

Primary Configuration Address Decoder

After a hard reset (nPCI_RESET pin asserted) or Vcc Power On Reset the LPC47M10x is in the Run Mode with all logical devices disabled. The logical devices may be configured through two standard Configuration I/O Ports (INDEX and DATA) by placing the LPC47M10x into Configuration Mode.

The BIOS uses these configuration ports to initialize the logical devices at POST. The INDEX and DATA ports are only valid when the LPC47M10x is in Configuration Mode.

The SYSOPT pin is latched on the falling edge of the nPCI_RESET or on Vcc Power On Reset to determine the configuration register's base address. The SYSOPT pin is used to select the CONFIG PORT's I/O address at power-up. Once powered up the configuration port base address can be changed through configuration registers CR26 and CR27. **The SYSOPT pin is a hardware configuration pin which is shared with the GP24 signal on pin 45.**

Note. An external pull-down resistor is required for the base IO address to be 0x02E for configuration. An external pull-up resistor is required to move the base IO address for configuration to 0x04E.

The INDEX and DATA ports are effective only when the chip is in the Configuration State.

| PORT NAME | SYSOPT= 0 10k PULL-DOWN RESISTOR | SYSOPT= 1 10K PULL-UP RESISTOR | TYPE |
|--------------------|--|--------------------------------------|------------|
| CONFIG PORT (Note) | 0x02E | 0x04E | Write |
| INDEX PORT (Note) | 0x02E | 0x04E | Read/Write |
| DATA PORT | INDEX PORT + 1 | | Read/Write |

Note : The configuration port base address can be relocated through CR26 and CR27.

Entering the Configuration State

The device enters the Configuration State when the following Config Key is successfully written to the CONFIG PORT.

Config Key = <0x55>

Exiting the Configuration State

The device exits the Configuration State when the following Config Key is successfully written to the CONFIG PORT.

Config Key = <0xAA>

CONFIGURATION SEQUENCE

To program the configuration registers, the following sequence must be followed:

1. Enter Configuration Mode
2. Configure the Configuration Registers
3. Exit Configuration Mode.

Enter Configuration Mode

To place the chip into the Configuration State the Config Key is sent to the chip's CONFIG PORT. The config key consists of 0x55 written to the CONFIG PORT. Once the configuration key is received correctly the chip enters into the Configuration State (The auto Config ports are enabled).

Configuration Mode

The system sets the logical device information and activates desired logical devices through the INDEX and DATA ports. In configuration mode, the INDEX PORT is located at the CONFIG PORT address and the DATA PORT is at INDEX PORT address + 1.

The desired configuration registers are accessed in two steps:

- a. Write the index of the Logical Device Number Configuration Register (i.e., 0x07) to the INDEX PORT and then write the number of the desired logical device to the DATA PORT
- b. Write the address of the desired configuration register within the logical device to the INDEX PORT and then write or read the configuration register through the DATA PORT.

Note: If accessing the Global Configuration Registers, step (a) is not required.

Exit Configuration Mode

To exit the Configuration State the system writes 0xAA to the CONFIG PORT. The chip returns to the RUN State.

Note: Only two states are defined (Run and Configuration). In the Run State the chip will always be ready to enter the Configuration State.

Programming Example

The following is an example of a configuration program in Intel 8086 assembly language.

```

;-----
; ENTER CONFIGURATION MODE
;-----
MOV     DX,02EH
MOV     AX,055H
OUT     DX,AL

;-----
; CONFIGURE REGISTER CRE0,
; LOGICAL DEVICE 8
;-----
MOV     DX,02EH
MOV     AL,07H
OUT     DX,AL ;Point to LD# Config Reg
MOV     DX,02FH
MOV     AL, 08H
OUT     DX,AL;Point to Logical Device 8

;
MOV     DX,02EH
MOV     AL,E0H
OUT     DX,AL ; Point to CRE0
MOV     DX,02fH
MOV     AL,02H
OUT     DX,AL ; Update CRE0

;-----
; EXIT CONFIGURATION MODE
;-----
MOV     DX,02EH
MOV     AX,0AAH
OUT     DX,AL

```

Notes: HARD RESET: nPCI_RESET pin asserted

SOFT RESET: Bit 0 of Configuration Control register set to one

All host accesses are blocked for 500µs after Vcc POR (see Power-up Timing Diagram)

Table 62 – LPC47M10x Configuration Registers Summary

| INDEX | TYPE | HARD RESET | VCC POR | VTR POR | SOFT RESET | CONFIGURATION REGISTER |
|---------------------------------------|------|--|--|--------------------------|--------------------------|---|
| GLOBAL CONFIGURATION REGISTERS | | | | | | |
| 0x02 | W | 0x00 | 0x00 | 0x00 | - | Config Control |
| 0x03 | R | - | - | - | - | Reserved – reads return 0 |
| 0x07 | R/W | 0x00 | 0x00 | 0x00 | 0x00 | Logical Device Number |
| 0x20 | R | 0x59 | 0x59 | 0x59 | 0x59 | Device ID - hard wired |
| 0x21 | R | 0x00 | 0x00 | 0x00 | 0x00 | Device Rev - hard wired |
| 0x22 | R/W | 0x00 ^(Note 1) | 0x00 ^(Note 1) | 0x00 ^(Note 1) | 0x00 ^(Note 1) | Power Control |
| 0x23 | R/W | 0x00 | 0x00 | 0x00 | - | Power Mgmt |
| 0x24 | R/W | 0x44 | 0x44 | 0x44 | - | OSC |
| 0x26 | R/W | Sysopt=0: 0x2E Sysopt=1: 0x4E | Sysopt=0: 0x2E Sysopt=1: 0x4E | - | - | Configuration Port Address Byte 0 (Low Byte) |
| 0x27 | R/W | Sysopt=0: 0x00 Sysopt=1: 0x00 | Sysopt=0: 0x00 Sysopt=1: 0x00 | - | - | Configuration Port Address Byte 1 (High Byte) |
| 0x28 | R | - | - | - | - | Reserved |
| 0x2A | R/W | - | 0x00 | 0x00 | - | TEST 6 |
| 0x2B | R/W | - | 0x00 | 0x00 | - | TEST 4 |

| INDEX | TYPE | HARD RESET | VCC POR | VTR POR | SOFT RESET | CONFIGURATION REGISTER |
|---|------|------------|------------|------------|------------|-------------------------------|
| 0x2C | R/W | - | 0x00 | 0x00 | - | TEST 5 |
| 0x2D | R/W | - | 0x00 | 0x00 | - | TEST 1 |
| 0x2E | R/W | - | 0x00 | 0x00 | - | TEST 2 |
| 0x2F | R/W | - | 0x00 | 0x00 | - | TEST 3 |
| LOGICAL DEVICE 0 CONFIGURATION REGISTERS (FDD) | | | | | | |
| 0x30 | R/W | 0x00 | 0x00 | 0x00 | 0x00 | Activate |
| 0x60, 0x61 | R/W | 0x03, 0xF0 | 0x03, 0xF0 | 0x03, 0xF0 | 0x03, 0xF0 | Primary Base I/O Address |
| 0x70 | R/W | 0x06 | 0x06 | 0x06 | 0x06 | Primary Interrupt Select |
| 0x74 | R/W | 0x02 | 0x02 | 0x02 | 0x02 | DMA Channel Select |
| 0xF0 | R/W | 0x0E | 0x0E | 0x0E | - | FDD Mode Register |
| 0xF1 | R/W | 0x00 | 0x00 | 0x00 | - | FDD Option Register |
| 0xF2 | R/W | 0xFF | 0xFF | 0xFF | - | FDD Type Register |
| 0xF4 | R/W | 0x00 | 0x00 | 0x00 | - | FDD0 |
| 0xF5 | R/W | 0x00 | 0x00 | 0x00 | - | FDD1 |
| LOGICAL DEVICE 1 CONFIGURATION REGISTERS (Reserved) | | | | | | |
| LOGICAL DEVICE 2 CONFIGURATION REGISTERS (Reserved) | | | | | | |
| LOGICAL DEVICE 3 CONFIGURATION REGISTERS (Parallel Port) | | | | | | |
| 0x30 | R/W | 0x00 | 0x00 | 0x00 | 0x00 | Activate |
| 0x60, 0x61 | R/W | 0x00, 0x00 | 0x00, 0x00 | 0x00, 0x00 | 0x00, 0x00 | Primary Base I/O Address |
| 0x70 | R/W | 0x00 | 0x00 | 0x00 | 0x00 | Primary Interrupt Select |
| 0x74 | R/W | 0x04 | 0x04 | 0x04 | 0x04 | DMA Channel Select |
| 0xF0 | R/W | 0x3C | 0x3C | 0x3C | - | Parallel Port Mode Register |
| 0xF1 | R/W | 0x00 | 0x00 | 0x00 | - | Parallel Port Mode Register 2 |
| LOGICAL DEVICE 4 CONFIGURATION REGISTERS (Serial Port 1) | | | | | | |
| 0x30 | R/W | 0x00 | 0x00 | 0x00 | 0x00 | Activate |
| 0x60, 0x61 | R/W | 0x00, 0x00 | 0x00, 0x00 | 0x00, 0x00 | 0x00, 0x00 | Primary Base I/O Address |
| 0x70 | R/W | 0x00 | 0x00 | 0x00 | 0x00 | Primary Interrupt Select |
| 0xF0 | R/W | 0x00 | 0x00 | 0x00 | - | Serial Port 1 Mode Register |
| LOGICAL DEVICE 5 CONFIGURATION REGISTERS (Serial Port 2) | | | | | | |
| 0x30 | R/W | - | - | 0x00 | - | Activate |
| 0x60, 0x61 | R/W | 0x00, 0x00 | 0x00, 0x00 | 0x00, 0x00 | 0x00, 0x00 | Primary Base I/O Address |
| 0x62, 0x63 | R | - | - | - | - | Reserved – Reads Return 0 |
| 0x70 | R/W | 0x00 | 0x00 | 0x00 | 0x00 | Primary Interrupt Select |
| 0x74 | R | - | - | - | - | Reserved – Reads Return 0 |
| 0xF0 | R/W | 0x00 | 0x00 | 0x00 | - | Serial Port 2 Mode Register |
| 0xF1 | R/W | 0x02 | 0x02 | 0x02 | - | IR Options Register |
| 0xF2 | R/W | 0x03 | 0x03 | 0x03 | - | IR Half Duplex Timeout |
| LOGICAL DEVICE 6 CONFIGURATION REGISTERS (Reserved) | | | | | | |
| LOGICAL DEVICE 7 CONFIGURATION REGISTERS (Keyboard) | | | | | | |

| INDEX | TYPE | HARD RESET | VCC POR | VTR POR | SOFT RESET | CONFIGURATION REGISTER |
|---|------|------------|------------|------------|------------|--|
| 0x30 | R/W | 0x00 | 0x00 | 0x00 | 0x00 | Activate |
| 0x70 | R/W | 0x00 | 0x00 | 0x00 | 0x00 | Primary Interrupt Select (Keyboard) |
| 0x72 | R/W | 0x00 | 0x00 | 0x00 | 0x00 | Second Interrupt Select (Mouse) |
| 0xF0 | R/W | 0x00 | 0x00 | 0x00 | - | KRESET and GateA20 Select |
| LOGICAL DEVICE 8 CONFIGURATION REGISTERS (Reserved) | | | | | | |
| LOGICAL DEVICE 9 CONFIGURATION REGISTERS (Game Port) | | | | | | |
| 0x30 | R/W | 0x00 | 0x00 | 0x00 | 0x00 | Activate |
| 0x60, 0x61 | R/W | 0x00, 0x00 | 0x00, 0x00 | 0x00, 0x00 | 0x00, 0x00 | Primary Base I/O Address, GAME_PORT |
| LOGICAL DEVICE A CONFIGURATION REGISTERS (PME) | | | | | | |
| 0x30 | R/W | 0x00 | 0x00 | 0x00 | 0x00 | Activate |
| 0x60, 0x61 | R/W | 0x00, 0x00 | 0x00, 0x00 | 0x00, 0x00 | 0x00, 0x00 | Primary Base I/O Address PME_BLK |
| 0xF0 | R/W | - | - | 0x00 | - | CLOCKI32 |
| 0xF1 | R | - | - | - | - | Reserved – Reads Return 0 |
| LOGICAL DEVICE B CONFIGURATION REGISTERS (MPU-401) | | | | | | |
| 0x30 | R/W | 0x00 | 0x00 | 0x00 | 0x00 | Activate |
| 0x60, | R/W | 0x03 | 0x03 | 0x03 | 0x03 | MPU-401 Primary Base I/O Address High Byte |
| 0x61 | R/W | 0x30 | 0x30 | 0x30 | 0x30 | MPU-401 Primary Base I/O Address Low Byte |
| 0x70 | R/W | 0x05 | 0x05 | 0x05 | 0x05 | Primary Interrupt Select |

Note 1: CR22 bit 5 and bit 7 are reset on VTR only.
Note: Reserved registers are read-only, reads return 0.

Chip Level (Global) Control/Configuration Registers[0x00-0x2F]

The chip-level (global) registers lie in the address range [0x00-0x2F]. The design MUST use all 8 bits of the ADDRESS Port for register selection. All unimplemented registers and bits ignore writes and return zero when read.

The INDEX PORT is used to select a configuration register in the chip. The DATA PORT is then used to access the selected register. These registers are accessible only in the Configuration Mode.

Table 63 - Chip Level Registers

| REGISTER | ADDRESS | DESCRIPTION | STATE |
|---|-------------|--|-------|
| Chip (Global) Control Registers | | | |
| | 0x00 - 0x01 | Reserved - Writes are ignored, reads return 0. | |
| Config Control Default = 0x00 on VCC POR, VTR POR and HARD RESET | 0x02 W | The hardware automatically clears this bit after the write, there is no need for software to clear the bits. Bit 0 = 1: Soft Reset. Refer to the "Configuration Registers" table for the soft reset value for each register. | C |
| | 0x03 - 0x06 | Reserved - Writes are ignored, reads return 0. | |
| Logical Device # Default = 0x00 on VCC POR, VTR POR, SOFT RESET and HARD RESET | 0x07 R/W | A write to this register selects the current logical device. This allows access to the control and configuration registers for each logical device. Note: The Activate command operates only on the selected logical device. | C |
| Card Level Reserved | 0x08 - 0x1F | Reserved - Writes are ignored, reads return 0. | |
| Chip Level, SMSC Defined | | | |
| Device ID - Hard wired Default = 0x59 on VCC POR, VTR POR, SOFT RESET and HARD RESET | 0x20 R | A read only register which provides device identification. Bits[7:0] = 0x59 when read. | C |
| Device Rev Hard wired = Current Revision | 0x21 R | A read only register which provides device revision information. Bits[7:0] = current revision when read. | C |
| PowerControl Default = 0x00 on VCC POR, VTR POR, SOFT RESET and HARD RESET | 0x22 R/W | Bit[0] FDC Power Bit[1] Reserved Bit[2] Game Port Power Bit[3] Parallel Port Power Bit[4] Serial Port 1 Power Bit[5] Serial Port 2 Power (Note 2) Bit[6] Serial Port 3 Power Bit[7] Reserved | C |

| REGISTER | ADDRESS | DESCRIPTION | STATE |
|--|----------|--|-------|
| Power Mgmt Default = 0x00 on VCC POR, VTR POR and HARD RESET | 0x23 R/W | Bit[0] FDC Bit[1] Reserved Bit[2] Reserved Bit[3] Parallel Port Bit[4] Serial Port 1 Bit[5] Serial Port 2 Bit[6] Serial Port 3 Bit[7] Reserved (read as 0) For each bit above (except Reserved) = 0 Intelligent Pwr Mgmt off = 1 Intelligent Pwr Mgmt on | C |

Table 63 – Chip Level Registers (cont'd)

| REGISTER | ADDRESS | DESCRIPTION | STATE |
|--|----------|--|-------|
| OSC Default = 0x44, on on VCC POR, VTR POR and HARD RESET | 0x24 R/W | Bit[0] Reserved Bit [1] PLL Control = 0 PLL is on (backward Compatible) = 1 PLL is off Bits[3:2] OSC = 01 Osc is on, BRG clock is on. = 10 Same as above (01) case. = 00 Osc is on, BRG Clock Enabled. = 11 Osc is off, BRG clock is disabled. Bit [5:4] Reserved, set to zero Bit [6] 16-Bit Address Qualification = 0 12-Bit Address Qualification = 1 16-Bit Address Qualification Note: For normal operation, bit 6 should be set. Bit[7] Reserved | C |
| Chip Level Vendor Defined | 0x25 | Reserved - Writes are ignored, reads return 0. | |
| Configuration Address Byte 0 Default =0x2E (Sysopt=0) =0x4E (Sysopt=1) on VCC POR and HARD RESET | 0x26 | Bit[7:1] Configuration Address Bits [7:1] Bit[0] = 0 See Note 1 | C |
| Configuration Address Byte 1 Default = 0x00 on VCC POR and HARD RESET | 0x27 | Bit[7:0] Configuration Address Bits [15:8] See Note 1 | C |
| Default = 0x00 on VCC POR, SOFT RESET and HARD RESET | 0x28 | Bits[7:0] Reserved - Writes are ignored, reads return 0. | |
| Chip Level Vendor Defined | 0x29 | Reserved - Writes are ignored, reads return 0. | |
| TEST 6 Default = 0x00, on VCC POR and VTR POR | 0x2A R/W | Test Modes: Reserved for SMSC. Users should not write to this register, may produce undesired results. | |

Table 63 – Chip Level Registers (cont'd)

| REGISTER | ADDRESS | DESCRIPTION | STATE |
|--|----------|--|-------|
| TEST 4 Default = 0x00, on VCC POR and VTR POR | 0x2B R/W | Test Modes: Reserved for SMSC. Users should not write to this register, may produce undesired results. | C |
| TEST 5 Default = 0x00, on VCC POR and VTR POR | 0x2C R/W | Bit[7] Test Mode: Reserved for SMSC. Users should not write to this bit, may produce undesired results. Bit[6] 8042 Reset: 1 = Put the 8042 into reset 0 = Take the 8042 out of reset Bits[5:0] Test Mode: Reserved for SMSC. Users should not write to this bit, may produce undesired results. | C |
| TEST 1 Default = 0x00, on VCC POR and VTR POR | 0x2D R/W | Test Modes: Reserved for SMSC. Users should not write to this register, may produce undesired results. | C |
| TEST 2 Default = 0x00, on VCC POR and VTR POR | 0x2E R/W | Test Modes: Reserved for SMSC. Users should not write to this register, may produce undesired results. | C |
| TEST 3 Default = 0x00, on VCC POR and VTR POR | 0x2F R/W | Test Modes: Reserved for SMSC. Users should not write to this register, may produce undesired results. | C |

Note 1: To allow the selection of the configuration address to a user defined location, these Configuration Address Bytes are used. There is no restriction on the address chosen, except that A0 is 0, that is, the address must be on an even byte boundary. As soon as both bytes are changed, the configuration space is moved to the specified location with no delay (Note: Write byte 0, then byte 1; writing CR27 changes the base address). The configuration address is only reset to its default address upon a Hard Reset or VCC POR. The default configuration address is either 02E or 04E, as specified by the SYSOPT pin.

Note 2: CR22 bit 5 is reset by VTR POR only.

Logical Device Configuration/Control Registers [0x30-0xFF]

Used to access the registers that are assigned to each logical unit. This chip supports eight logical units and has eight sets of logical device registers. The eight logical devices are Floppy, Parallel, Serial 1, Serial 2, Keyboard Controller, game port, PME and Serial Port 3. A separate set (bank) of control and configuration registers exists for each logical device and is selected with the Logical Device # Register (0x07).

The INDEX PORT is used to select a specific logical device register. These registers are then accessed through the DATA PORT.

The Logical Device registers are accessible only when the device is in the Configuration State. The logical register addresses are shown in the table below.

Table 64 – Logical Device Registers

| LOGICAL DEVICE REGISTER | ADDRESS | DESCRIPTION | STATE |
|---|--|--|-------|
| Activate ^{Note 1} Default = 0x00 on VCC POR, VTR POR, HARD RESET and SOFT RESET | (0x30) | Bits[7:1] Reserved, set to zero. Bit[0] = 1 Activates the logical device currently selected through the Logical Device # register. = 0 Logical device currently selected is inactive | C |
| Logical Device Control | (0x31-0x37) | Reserved – Writes are ignored, reads return 0. | C |
| Logical Device Control | (0x38-0x3f) | Vendor Defined - Reserved - Writes are ignored, reads return 0. | C |
| Memory Base Address | (0x40-0x5F) | Reserved – Writes are ignored, reads return 0. | C |
| I/O Base Address ^{Note 2} (see Device Base I/O Address Table) Default = 0x00 on VCC POR, VTR POR, HARD RESET and SOFT RESET | (0x60-0x6F) 0x60,2,... = addr[15:8] 0x61,3,... = addr[7:0] | Registers 0x60 and 0x61 set the base address for the device. If more than one base address is required, the second base address is set by registers 0x62 and 0x63. Refer to Table 58 for the number of base address registers used by each device. Unused registers will ignore writes and return zero when read. | C |
| Interrupt Select Defaults : 0x70 = 0x00 or 0x06 (Note 3) on VCC POR, VTR POR, HARD RESET and SOFT RESET 0x72 = 0x00, on VCC POR, VTR POR, HARD RESET and SOFT RESET | (0x70,0x72) | 0x70 is implemented for each logical device. Refer to Interrupt Configuration Register description. Only the keyboard controller uses Interrupt Select register 0x72. Unused register (0x72) will ignore writes and return zero when read. Interrupts default to edge high (ISA compatible). | C |
| | (0x71,0x73) | Reserved - not implemented. These register locations ignore writes and return zero when read. | |
| DMA Channel Select Default = 0x02 or 0x04 (Note 4) on VCC POR, VTR POR, HARD RESET and SOFT RESET | (0x74,0x75) | Only 0x74 is implemented for FDC and Parallel port. 0x75 is not implemented and ignores writes and returns zero when read. Refer to DMA Channel Configuration. | C |
| 32-Bit Memory Space Configuration | (0x76-0xA8) | Reserved - not implemented. These register locations ignore writes and return zero when read. | |
| Logical Device | (0xA9-0xDF) | Reserved - not implemented. These register locations ignore writes and return zero when read. | C |
| Logical Device Configuration | (0xE0-0xFE) | Reserved – Vendor Defined (see SMSC defined Logical Device Configuration Registers). | C |
| Reserved | 0xFF | Reserved | C |

Note 1: A logical device will be active and powered up according to the following equation:

DEVICE ON (ACTIVE) = (Activate Bit SET or Pwr/Control Bit SET).

The Logical device's Activate Bit and its Pwr/Control Bit are linked such that setting or clearing one sets or clears the other.

Note 2: If the I/O Base Addr of the logical device is not within the Base I/O range as shown in the Logical Device I/O map, then read or write is not valid and is ignored.

Note 3: The default value of the Primary Interrupt Select register for logical device 0 is 0x06.

Note 4: The default value of the DMA Channel Select register for logical device 0 (FDD) is 0x02 and for logical device 3 and 5 is 0x04.

Table 65 - I/O Base Address Configuration Register Description

| LOGICAL DEVICE NUMBER | LOGICAL DEVICE | REGISTER INDEX | BASE I/O RANGE (NOTE 1) | FIXED BASE OFFSETS |
|-----------------------|----------------|----------------|---|---|
| 0x00 | FDC | 0x60,0x61 | [0x0100:0x0FF8] ON 8 BYTE BOUNDARIES | +0 : SRA +1 : SRB +2 : DOR +3 : TSR +4 : MSR/DSR +5 : FIFO +7 : DIR/CCR |
| 0x01 | Reserved | n/a | n/a | n/a |
| 0x02 | Reserved | n/a | n/a | n/a |
| 0x03 | Parallel Port | 0x60,0x61 | [0x0100:0x0FFC] ON 4 BYTE BOUNDARIES (EPP Not supported) or [0x0100:0x0FF8] ON 8 BYTE BOUNDARIES | +0 : Data/ecpAfifo +1 : Status +2 : Control +400h : cfifo/ecpDfifo/tfifo/cnfgA +401h : cnfgB +402h : ecr |
| | | | (all modes supported, EPP is only available when the base address is on an 8-byte boundary) | +3 : EPP Address +4 : EPP Data 0 +5 : EPP Data 1 +6 : EPP Data 2 +7 : EPP Data 3 |
| 0x04 | Serial Port 1 | 0x60,0x61 | [0x0100:0x0FF8] ON 8 BYTE BOUNDARIES | +0 : RB/TB/LSB div +1 : IER/MSB div +2 : IIR/FCR +3 : LCR +4 : MSR +5 : LSR +6 : MSR +7 : SCR |
| 0x05 | Serial Port 2 | 0x60,0x61 | [0x0100:0x0FF8] ON 8 BYTE BOUNDARIES | +0 : RB/TB/LSB div +1 : IER/MSB div +2 : IIR/FCR +3 : LCR +4 : MSR +5 : LSR +6 : MSR +7 : SCR |
| 0x06 | Reserved | n/a | n/a | n/a |
| 0x07 | KYBD | n/a | Not Relocatable Fixed Base Address: 60,64 | +0 : Data Register +4 : Command/Status Reg. |
| 0x08 | Reserved | n/a | n/a | n/a |
| 0x09 | Game Port | 0x60,0x61 | [0x0100:0x0FFF] on 1 byte boundaries | +00: Game Port Register |

Table 65 - I/O Base Address Configuration Register Description

| LOGICAL DEVICE NUMBER | LOGICAL DEVICE | REGISTER INDEX | BASE I/O RANGE (NOTE 1) | FIXED BASE OFFSETS |
|-----------------------|-------------------|------------------------|---|--|
| 0x0A | Runtime Registers | 0x60,0x61 | [0x0000:0x0F7F] on 128-byte boundaries | +00 : PME Status . . . +5F : Keyboard Scan Code (See Table in "Runtime Registers" section for Full List) |
| 0x0B | MPU-401 | 0x60,0x61 | [0x0100:0x0FFE] on 2-byte boundaries | +0: Data +1: Status/Command |
| Config. Port | Config. Port | 0x26, 0x27 (Note 2) | 0x0100:0x0FFE On 2 byte boundaries | See Configuration Registers in Table 54. Accessed through the index and DATA ports located at the Configuration Port address and the Configuration Port address +1 respectively. |

Note 1: This chip uses address bits [A11:A0] to decode the base address of each of its logical devices. Bit 6 of the OSC Global Configuration Register (CR24) must be set to '1' and Address Bits [A15:A12] must be '0' for 16 bit address qualification.

Note 2: The Configuration Port is at either 0x02E or 0x04E (for SYSOPT=0 or SYSOPT=1) at power up and can be replaced via the global configuration registers at 0x26 and 0x27.

Table 66 - Interrupt Select Configuration Register Description

| NAME | REG INDEX | DEFINITION | STATE |
|--------------------------|------------|---|-------|
| Primary Interrupt Select | 0x70 (R/W) | Bits[3:0] selects which interrupt is used for the primary Interrupt. 0x00= no interrupt selected 0x01= IRQ1 0x02= IRQ2/nSMI 0x03= IRQ3 0x04= IRQ4 0x05= IRQ5 0x06= IRQ6 0x07= IRQ7 0x08= IRQ8 0x09= IRQ9 0x0A= IRQ10 0x0B= IRQ11 0x0C= IRQ12 0x0D= IRQ13 0x0E= IRQ14 0x0F= IRQ15 Note: All interrupts are edge high (except ECP/EPP) Note: nSMI is active low | C |

Note: An Interrupt is activated by setting the Interrupt Request Level Select 0 register to a non-zero value AND :
 For the FDC logical device by setting DMAEN, bit D3 of the Digital Output Register.
 For the PP logical device by setting IRQE, bit D4 of the Control Port and in addition
 For the PP logical device in ECP mode by clearing serviceIntr, bit D2 of the ecr.
 For the Serial Port logical device by setting any combination of bits D0-D3 in the IER
 And by setting the OUT2 bit in the UART's Modem Control (MCR) Register.

For the KYBD by (refer to the KYBD controller section of this spec).

Note: IRQs are disabled if not used/selected by any Logical Device. Refer to Note A.

Note: nSMI must be disabled to use IRQ2.

Note: All IRQ's are available in Serial IRQ mode.

Note 1: The default value of the Primary Interrupt Select register for logical device 0 is 0x06.

Table 67 - DMA Channel Select Configuration Register Description

| NAME | REG INDEX | DEFINITION | STATE |
|--|------------|---|-------|
| DMA Channel Select Default=0x02 or 0x04 (Note 1) on VCC POR, VTR POR, HARD RESET and SOFT RESET | 0x74 (R/W) | Bits[2:0] select the DMA Channel. 0x00= Reserved 0x01= DMA1 0x02= DMA2 0x03= DMA3 0x04-0x07= No DMA active | C |

Note: A DMA channel is activated by setting the DMA Channel Select register to [0x01-0x03] AND:

For the FDC logical device by setting DMAEN, bit D3 of the Digital Output Register.

For the PP logical device in ECP mode by setting dmaEn, bit D3 of the ecr.

Note: DMA channels are disabled if not used/selected by any Logical Device. Refer to Note A.

Note 1: The default value of the DMA Channel Select register for logical device 0 (FDD) is 0x02 and for logical device 3 and 5 is 0x04.

Note A. Logical Device IRQ and DMA Operation

1. IRQ and DMA Enable and Disable: Any time the IRQ or DMA channel for a logical block is disabled by a register bit in that logical block, the IRQ and/or DMA channel must be disabled. This is in addition to the IRQ and DMA channel disabled by the Configuration Registers (active bit or address not valid).

a. FDC: For the following cases, the IRQ and DMA channel used by the FDC are disabled. Will not respond to the DMA request.
Digital Output Register (Base+2) bit D3 (DMAEN) set to "0".
The FDC is in power down (disabled).

b. Serial Ports:
Modem Control Register (MCR) Bit D2 (OUT2) - When OUT2 is a logic "0", the serial port interrupt is disabled.

c. Parallel Port:
I. SPP and EPP modes: Control Port (Base+2) bit D4 (IRQE) set to "0", IRQ is disabled.

ii. ECP Mode:
(1) (DMA) dmaEn from ecr register. See table.
(2) IRQ - See table.

| MODE (FROM ECR REGISTER) | | IRQ PIN CONTROLLED BY | PDREQ PIN CONTROLLED BY |
|-----------------------------|---------|--------------------------|----------------------------|
| 000 | PRINTER | IRQE | dmaEn |
| 001 | SPP | IRQE | dmaEn |
| 010 | FIFO | (on) | dmaEn |
| 011 | ECP | (on) | dmaEn |
| 100 | EPP | IRQE | dmaEn |
| 101 | RES | IRQE | dmaEn |
| 110 | TEST | (on) | dmaEn |
| 111 | CONFIG | IRQE | dmaEn |

d. Keyboard Controller: Refer to the KBD section of this spec.

SMSC Defined Logical Device Configuration Registers

The SMSC Specific Logical Device Configuration Registers reset to their default values only on hard resets generated by Vcc or VTR POR (as shown) or the nPCI_RESET signal. These registers are not affected by soft resets.

Table 68 - Floppy Disk Controller, Logical Device 0 [Logical Device Number = 0x00]

| NAME | REG INDEX | DEFINITION | STATE |
|---|-----------|--|-------|
| FDD Mode Register Default = 0x0E on VCC POR, VTR POR and HARD RESET | 0xF0 R/W | Bit[0] Floppy Mode = 0 Normal Floppy Mode (default) = 1 Enhanced Floppy Mode 2 (OS2) Bit[1] FDC DMA Mode = 0 Burst Mode is enabled = 1 Non-Burst Mode (default) Bit[3:2] Interface Mode = 11 AT Mode (default) = 10 (Reserved) = 01 PS/2 = 00 Model 30 Bit[4] Reserved Bit[5] Reserved, set to zero Bit[6] FDC Output Type Control = 0 FDC outputs are OD12 open drain (default) = 1 FDC outputs are O12 push-pull Bit[7] FDC Output Control = 0 FDC outputs active (default) = 1 FDC outputs tri-stated Note: Bits 6 & 7 do not affect the parallel port FDC pins. | C |
| FDD Option Register Default = 0x00 on VCC POR, VTR POR and HARD RESET | 0xF1 R/W | Bit[0] Forced Write Protect = 0 Inactive (default) = 1 FDD nWRTPRT input is forced active when either of the drives has been selected. nWRTPRT (to the FDC Core) = WP (FDC SRA register, bit 1) = (nDS0 AND Forced Write Protect) OR (nDS1 AND Forced Write Protect) OR nWRTPRT (from the FDD Interface) OR Floppy Write Protect Note: The Floppy Write Protect bit is in the Device Disable register. Note: Boot floppy is always drive 0. Note: the Force Write Protect bit also applies to the Parallel Port FDC. Bit[1] Reserved Bits[3:2] Density Select = 00 Normal (default) = 01 Normal (reserved for users) = 10 1 (forced to logic "1") = 11 0 (forced to logic "0") Bit[7:4] Reserved. | C |
| FDD Type Register Default = 0xFF on VCC POR, VTR POR and HARD RESET | 0xF2 R/W | Bits[1:0] Floppy Drive A Type Bits[3:2] Floppy Drive B Type Bits[5:4] Reserved (could be used to store Floppy Drive C type) Bits[7:6] Reserved (could be used to store Floppy Drive D type) Note: The LPC47M10x supports two floppy drives | C |
| | 0xF3 R | Reserved, Read as 0 (read only) | C |

Table 68 - Floppy Disk Controller, Logical Device 0 [Logical Device Number = 0x00]

| NAME | REG INDEX | DEFINITION | STATE |
|--|-----------|--|-------|
| FDD0 Default = 0x00 on VCC POR, VTR POR and HARD RESET | 0xF4 R/W | Bits[1:0] Drive Type Select: DT1, DT0 Bits[2] Read as 0 (read only) Bits[4:3] Data Rate Table Select: DRT1, DRT0 Bits[5] Read as 0 (read only) Bits[6] Precompensation Disable PTS =0 Use Precompensation =1 No Precompensation Bits[7] Read as 0 (read only) | C |
| FDD1 | 0xF5 R/W | Refer to definition and default for 0xF4 | C |

Table 69 - Parallel Port, Logical Device 3 [Logical Device Number = 0x03]

| NAME | REG INDEX | DEFINITION | STATE |
|--|-----------|--|-------|
| PP Mode Register Default = 0x3C on VCC POR, VTR POR and HARD RESET | 0xF0 R/W | Bits[2:0] Parallel Port Mode = 100 Printer Mode (default) = 000 Standard and Bi-directional (SPP) Mode = 001 EPP-1.9 and SPP Mode = 101 EPP-1.7 and SPP Mode = 010 ECP Mode = 011 ECP and EPP-1.9 Mode = 111 ECP and EPP-1.7 Mode Bit[6:3] ECP FIFO Threshold 0111b (default) Bit[7] PP Interrupt Type Not valid when the parallel port is in the Printer Mode (100) or the Standard & Bi-directional Mode (000). = 1 Pulsed Low, released to high-Z. = 0 IRQ follows nACK when parallel port in EPP Mode or [Printer, SPP, EPP] under ECP. IRQ level type when the parallel port is in ECP, TEST, or Centronics FIFO Mode. | C |
| PP Mode Register 2 Default = 0x00 on VCC POR, VTR POR and HARD RESET | 0xF1 R/W | Bits[3:0] Reserved. Set to zero Bit [4] TIMEOUT_SELECT = 0 TMOUT (EPP Status Reg.) cleared on write of '1' to TMOUT. = 1 TMOUT cleared on trailing edge of read of EPP Status Reg. Bits[7:5] Reserved. Set to zero. | |

Table 70 - Serial Port 1, Logical Device 4 [Logical Device Number = 0x04]

| NAME | REG INDEX | DEFINITION | STATE |
|--|-----------|--|-------|
| Serial Port 1 Mode Register Default = 0x00 on VCC POR, VTR POR and HARD RESET | 0xF0 R/W | Bit[0] MIDI Mode = 0 MIDI support disabled (default) = 1 MIDI support enabled Bit[1] High Speed = 0 High Speed Disabled(default) = 1 High Speed Enabled Bit[6:2] Reserved, set to zero Bit[7]: Share IRQ =0 UARTS use different IRQs =1 UARTS share a common IRQ See Note 1 below. | C |

Note 1: To properly share and IRQ,

1. Configure UART1 (or UART2) to use the desired IRQ.
2. Configure UART2 (or UART1) to use No IRQ selected.
3. Set the share IRQ bit.

Note: If both UARTs are configured to use different IRQs and the share IRQ bit is set, then both of the UART IRQs will assert when either UART generates an interrupt.

UART Interrupt Operation

Table 71 - Serial Port 2, Logical Device 5 [Logical Device Number = 0x05]

| NAME | REG INDEX | DEFINITION | STATE |
|--|-----------|---|-------|
| Serial Port 2 Mode Register Default = 0x00 on VCC POR, VTR POR and HARD RESET | 0xF0 R/W | Bit[0] MIDI Mode = 0 MIDI support disabled (default) = 1 MIDI support enabled Bit[1] High Speed = 0 High Speed disabled(default) = 1 High Speed enabled Bit[4:2] Reserved, set to zero Bit[5] TXD2_MODE (Note 1) =0 The inactive state of the TXD2 pin is low =1 The state of the TXD2 pin is tristate Bits[7:6] Reserved. Set to zero. | C |

Table 71 - Serial Port 2, Logical Device 5 [Logical Device Number = 0x05]

| NAME | REG INDEX | DEFINITION | STATE |
|--|-----------|---|-------|
| IR Option Register Default = 0x02 on VCC POR, VTR POR and HARD RESET | 0xF1 R/W | Bit[0] Receive Polarity = 0 Active High (Default) = 1 Active Low Bit[1] Transmit Polarity = 0 Active High = 1 Active Low (Default) Bit[2] Duplex Select = 0 Full Duplex (Default) = 1 Half Duplex Bits[5:3] IR Mode = 000 Standard COM Functionality (Default) = 001 IrDA = 010 ASK-IR = 011 Reserved = 1xx Reserved Bit[6] IR Location Mux = 0 Use Serial port TXD2 and RXD2 (Default) = 1 Use alternate IRRX2 (pin 61) and IRTX2 (pin 62) Bit[7] Reserved, write 0. | C |
| IR Half Duplex Timeout Default = 0x03 on VCC POR, VTR POR and HARD RESET | 0xF2 | Bits [7:0] These bits set the half duplex time-out for the IR port. This value is 0 to 10msec in 100usec increments. 0= blank during transmit/receive 1= blank during transmit/receive + 100usec ... | |

Note 1: The TXD2_MODE bit is a VTR powered bit that is reset on VTR POR only.

Table 72 - KYBD, Logical Device 7 [Logical Device Number = 0x07]

| NAME | REG INDEX | DEFINITION | STATE |
|---|---------------------|--|-------|
| <p>KRST_GA20</p> <p>Default = 0x00 on VCC POR, VTR POR and HARD RESET</p> | <p>0xF0 R/W</p> | <p>KRESET and GateA20 Select</p> <p>Bit[7] Polarity Select for P12 = 0 P12 active low (default) = 1 P12 active high</p> <p>Bit[6] M_ISO. Enables/disables isolation of mouse signals into 8042. Does not affect MDAT signal to mouse wakeup (PME) logic. 1=block mouse clock and data signals into 8042 0= do not block mouse clock and data signals into 8042</p> <p>Bit[5] K_ISO. Enables/disables isolation of keyboard signals into 8042. Does not affect KDAT signal to keyboard wakeup (PME) logic. 1=block keyboard clock and data signals into 8042 0= do not block keyboard clock and data signals into 8042</p> <p>Bit[4] MLATCH = 0 MINT is the 8042 MINT ANDed with Latched MINT (default) = 1 MINT is the latched 8042 MINT</p> <p>Bit[3] KLATCH = 0 KINT is the 8042 KINT ANDed with Latched KINT (default) = 1 KINT is the latched 8042 KINT</p> <p>Bit[2] Port 92 Select = 0 Port 92 Disabled = 1 Port 92 Enabled</p> <p>Bit[1] Reserved Bit[0] Reserved</p> | |
| | 0xF1 - 0xFF | Reserved - read as '0' | |

Table 73 - PME, Logical Device A

| NAME | REG INDEX | DEFINITION | STATE |
|--|-----------------------|--|----------|
| <p>CLOCKI32</p> <p>Default = 0x00 on VTR POR</p> | <p>0xF0 (R/W)</p> | <p>Bit[0] (CLK32_PRSN) 0=32kHz clock is connected to the CLKI32 pin (default) 1=32kHz clock is not connected to the CLKI32 pin (pin is grounded)</p> <p>Bit[1] SPEKEY_EN. This bit is used to turn the logic for the “wake on specific key” feature on and off. It will disable the 32kHz clock input to the logic when turned off. The logic will draw no power when disabled. 0= “Wake on specific key” logic is on (default) 1= “Wake on specific key” logic is off</p> <p>Bits[7:2] are reserved</p> | <p>C</p> |

Table 74 – MPU-401 [Logical Device Number = 0x0B]

| NAME | REG INDEX | DEFINITION | STATE |
|--|-----------------|--|----------|
| <p>MPU-401 Primary Base I/O Address High Byte</p> <p>Default = 0x03 on HARD RESET, SOFT RESET, VCC POR and VTR POR</p> | <p>0x60 R/W</p> | <p>Bit[0] A8 Bit[1] A9 Bit[2] A10 Bit[3] A11 Bit[4] “0” Bit[5] “0” Bit[6] “0” Bit[7] “0”</p> | <p>C</p> |
| <p>MPU-401 Primary</p> | <p>0x61 R/W</p> | <p>Bit[0] “0”</p> | <p>C</p> |

Table 74 – MPU-401 [Logical Device Number = 0x0B]

| NAME | REG INDEX | DEFINITION | STATE |
|--|-----------|---|-------|
| Base I/O Address Low Byte Default = 0x30 on HARD RESET, SOFT RESET, VCC POR and VTR POR | | Bit[1] A1 Bit[2] A2 Bit[3] A3 Bit[4] A4 Bit[5] A5 Bit[6] A6 Bit[7] A7 Note Bit[0] must be "0". | |

OPERATIONAL DESCRIPTION

MAXIMUM GUARANTEED RATINGS*

Operating Temperature Range.....0°C to +70°C
 Storage Temperature Range.....-55° to +150°C
 Lead Temperature Range Refer to JEDEC Spec. J-STD-020
 Positive Voltage on any pin, with respect to Ground..... V_{cc}+0.3V
 Negative Voltage on any pin, with respect to Ground..... -0.3V
 Maximum V_{cc}..... +7V

*Stresses above those listed above could cause permanent damage to the device. This is a stress rating only and functional operation of the device at any other condition above those indicated in the operation sections of this specification is not implied.

Note: When powering this device from laboratory or system power supplies, it is important that the Absolute Maximum Ratings not be exceeded or device failure can result. Some power supplies exhibit voltage spikes on their outputs when the AC power is switched on or off. In addition, voltage transients on the AC power line may appear on the DC output. If this possibility exists, it is suggested that a clamp circuit be used.

DC ELECTRICAL CHARACTERISTICS

(T_A = 0°C - 70°C, V_{cc} = +3.3 V ± 10%)

| PARAMETER | SYMBOL | MIN | TYP | MAX | UNITS | COMMENTS |
|--|-------------------|-----|-----|-----|-------|-----------------------------------|
| I Type Input Buffer | | | | | | |
| Low Input Level | V _{ILI} | | | 0.8 | V | TTL Levels |
| High Input Level | V _{IHI} | 2.0 | | | V | |
| IS Type Input Buffer | | | | | | |
| Low Input Level | V _{ILIS} | | | 0.8 | V | Schmitt Trigger |
| High Input Level | V _{IHIS} | 2.2 | | | V | Schmitt Trigger |
| Schmitt Trigger Hysteresis | V _{HYS} | | 100 | | mV | |
| Input Leakage, I and IS Buffers | | | | | | |
| Low Input Leakage | I _{IL} | -10 | | +10 | μA | V _{IN} = 0 |
| High Input Leakage | I _{IH} | -10 | | +10 | μA | V _{IN} = V _{CC} |

| PARAMETER | SYMBOL | MIN | TYP | MAX | UNITS | COMMENTS |
|-------------------------|----------|-----|-----|-----|---------------|---|
| IO6 Type Buffer | | | | | | |
| Low Output Level | V_{OL} | | | 0.4 | V | $I_{OL} = 6\text{mA}$ |
| High Output Level | V_{OH} | 2.4 | | | V | $I_{OH} = -3\text{mA}$ |
| Output Leakage | I_{OL} | -10 | | +10 | μA | $V_{IN} = 0 \text{ to } V_{CC}$ (Note 1) |
| OD6 Type Buffer | | | | | | |
| Low Output Level | V_{OL} | | | 0.4 | V | $I_{OL} = 6\text{mA}$ |
| Output Leakage | I_{OL} | -10 | | +10 | μA | $V_{IN} = 0 \text{ to } V_{CC}$ |
| O6 Type Buffer | | | | | | |
| Low Output Level | V_{OL} | | | 0.4 | V | $I_{OL} = 6\text{mA}$ |
| High Output Level | V_{OH} | 2.4 | | | V | $I_{OH} = -3\text{mA}$ |
| IO8 Type Buffer | | | | | | |
| Low Output Level | V_{OL} | | | 0.4 | V | $I_{OL} = 8\text{mA}$ |
| High Output Level | V_{OH} | 2.4 | | | V | $I_{OH} = -4\text{mA}$ |
| Output Leakage | I_{OL} | -10 | | +10 | μA | $V_{IN} = 0 \text{ to } V_{CC}$ (Note 1) |
| O8 Type Buffer | | | | | | |
| Low Output Level | V_{OL} | | | 0.4 | V | $I_{OL} = 8\text{mA}$ |
| High Output Level | V_{OH} | 2.4 | | | V | $I_{OH} = -4\text{mA}$ |
| O12 Type Buffer | | | | | | |
| Low Output Level | V_{OL} | | | 0.4 | V | $I_{OL} = 12\text{mA}$ |
| High Output Level | V_{OH} | 2.4 | | | V | $I_{OH} = -6\text{mA}$ |
| IO12 Type Buffer | | | | | | |
| Low Output Level | V_{OL} | | | 0.4 | V | $I_{OL} = 12\text{mA}$ |
| High Output Level | V_{OH} | 2.4 | | | V | $I_{OH} = -6\text{mA}$ |
| Output Leakage | I_{OL} | -10 | | +10 | μA | $V_{IN} = 0 \text{ to } V_{CC}$ (Note 1) |
| OD12 Type Buffer | | | | | | |
| Low Output Level | V_{OL} | | | 0.4 | V | $I_{OL} = 12\text{mA}$ |
| Output Leakage | I_{OL} | -10 | | +10 | μA | $V_{IN} = 0 \text{ to } V_{CC}$ |
| OD14 Type Buffer | | | | | | |
| Low Output Level | V_{OL} | | | 0.4 | V | $I_{OL} = 14\text{mA}$ |
| Output Leakage | I_{OL} | -10 | | +10 | μA | $V_{IN} = 0 \text{ to } V_{CC}$ |

| PARAMETER | SYMBOL | MIN | TYP | MAX | UNITS | COMMENTS |
|--|-----------|------------------------|-----|-------------------|---------------|--|
| OP14 Type Buffer | | | | | | |
| Low Output Level | V_{OL} | | | 0.4 | V | $I_{OL} = 14\text{mA}$ |
| High Output Level | V_{OH} | 2.4 | | | V | $I_{OH} = -14\text{mA}$ |
| Output Leakage | I_{OL} | -10 | | +10 | μA | $V_{IN} = 0$ to V_{CC} (Note 1) |
| IOP14 Type Buffer | | | | | | |
| Low Output Level | V_{OL} | | | 0.4 | V | $I_{OL} = 14\text{mA}$ |
| High Output Level | V_{OH} | 2.4 | | | V | $I_{OH} = -14\text{mA}$ |
| Output Leakage | I_{OL} | -10 | | +10 | μA | $V_{IN} = 0$ to V_{CC} (Note 1) |
| IOD16 Type Buffer | | | | | | |
| Low Output Level | V_{OL} | | | 0.4 | V | $I_{OL} = 16\text{mA}$ |
| Output Leakage | I_{OL} | -10 | | +10 | μA | $V_{IN} = 0$ to V_{CC} (Note 1) |
| Backdrive Protect/ChiProtect (All pins excluding LAD[3:0], nLDRQ, nLPCPD, nLFRAME) | | | | | | |
| | I_{IL} | | | ± 10 | μA | $V_{CC} = 0\text{V}$ $V_{IN} = 5.5\text{V Max}$ |
| 5V Tolerant Pins (All pins excluding LAD[3:0], nLDRQ, nLPCPD, nLFRAME) Inputs and Outputs in High Impedance State | | | | | | |
| | I_{IL} | | | ± 10 | μA | $V_{CC} = 3.3\text{V}$ $V_{IN} = 5.5\text{V Max}$ |
| LPC Bus Pins (LAD[3:0], nLDRQ, nLPCPD, nLFRAME) | | | | | | |
| | I_{IL} | | | ± 10 | μA | $V_{CC} = 0\text{V}$ and $V_{CC} = 3.3\text{V}$ $V_{IN} = 3.6\text{V Max}$ |
| V_{CC} Supply Current Active | | | | | | |
| | I_{CCI} | | | 15 ³ | mA | All outputs open, all inputs at a fixed state (i.e., 0V or 3.3V). |
| Trickle Supply Voltage | | | | | | |
| | V_{TR} | V_{CC} min -5V | | V_{CC} max | V | V_{CC} must not be greater than .5V above V_{TR} |
| V_{TR} Supply Current Active | | | | | | |
| | I_{TRI} | 0.25 ^{3,5} | | 10 ^{3,4} | mA | All outputs open, all inputs at a fixed state (i.e., 0V or 3.3V). |
| Reference Voltage | | | | | | |
| | V_{REF} | | | 5.5 | V | V_{REF} can be either 3.3V (nominal) or 5V (nominal) |
| V_{REF} Supply Current Active | | | | | | |
| | I_{RFI} | | | 1 ³ | mA | All outputs open, all inputs at a fixed state (i.e., 0V or 3.3V). |

Note 1: All output leakage's are measured with all pins in high impedance.

Note 2: Output leakage is measured with the low driving output off, either for a high level output or a high impedance state.

Note 3: Contact SMSC for the latest values.

Note 4: Max I_{TRI} with $V_{CC} = 3.3\text{V}$ (nominal) and CIR 'on' is 10 mA.

Note 5: Min I_{TRI} with $V_{CC} = 0$ and CIR 'off' is 250 μA .

CAPACITANCE $T_A = 25^\circ C$; $f_c = 1MHz$; $V_{CC} = 3.3V \pm 10\%$

| PARAMETER | SYMBOL | LIMITS | | | UNIT | TEST CONDITION |
|-------------------------|-----------|--------|-----|-----|------|--|
| | | MIN | TYP | MAX | | |
| Clock Input Capacitance | C_{IN} | | | 20 | pF | All pins except pin under test tied to AC ground |
| Input Capacitance | C_{IN} | | | 10 | pF | |
| Output Capacitance | C_{OUT} | | | 20 | pF | |

TIMING DIAGRAMS

For the Timing Diagrams shown, the following capacitive loads are used on outputs.

| NAME | CAPACITANCE TOTAL (pF) |
|-----------|------------------------|
| SER_IRQ | 50 |
| nLAD[3:0] | 50 |
| nLDRQ | 50 |
| nDIR | 240 |
| nSTEP | 240 |
| nDS0-1 | 240 |
| nWDATA | 240 |
| PD[0:7] | 240 |
| nSTROBE | 240 |
| nALF | 240 |
| nSLCTIN | 240 |
| J1X-Y | 50 |
| J2X-Y | 50 |
| KDAT | 240 |
| KCLK | 240 |
| MDAT | 240 |
| MCLK | 240 |
| MIDI_Tx | 50 |
| FANx | 50 |
| LEDx | 50 |
| TXD1 | 50 |
| TXD2 | 50 |

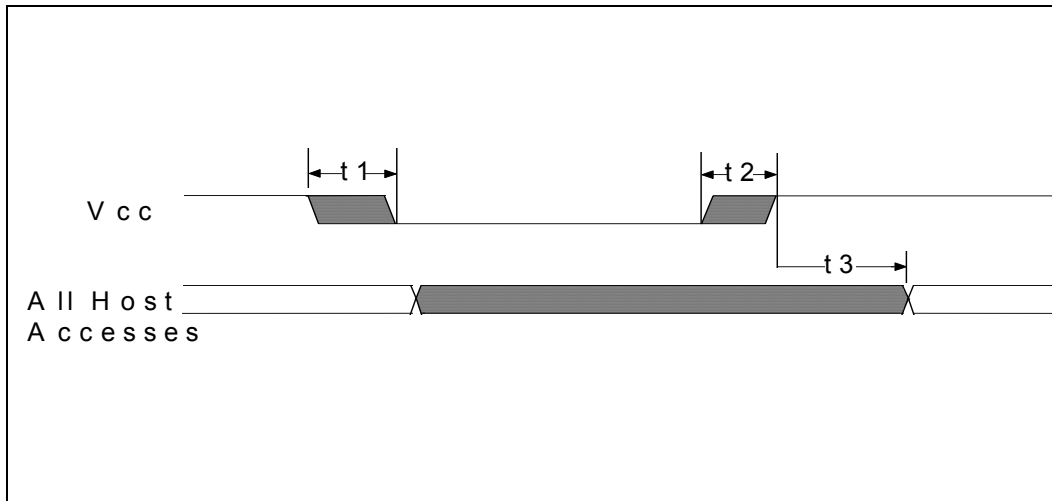


FIGURE 8 - POWER-UP TIMING

| NAME | DESCRIPTION | MIN | TYP | MAX | UNITS |
|------|--|-----|-----|-----|---------------|
| t1 | Vcc Slew from 2.7V to 0V | 300 | | | μs |
| t2 | Vcc Slew from 0V to 2.7V | 100 | | | μs |
| t3 | All Host Accesses After Powerup (Note 1) | 125 | | 500 | μs |

Note 1: Internal write-protection period after Vcc passes 2.7 volts on power-up

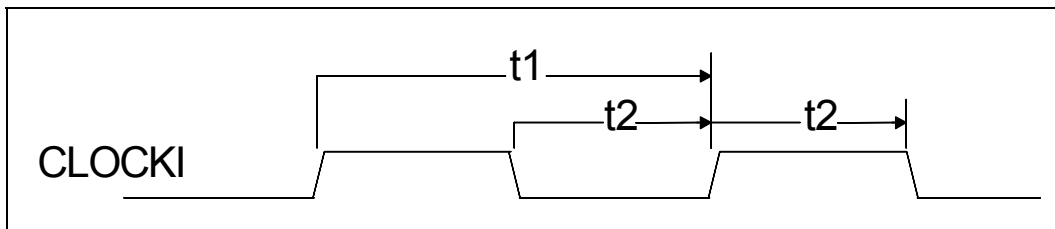


FIGURE 9A - INPUT CLOCK TIMING

| NAME | DESCRIPTION | MIN | TYP | MAX | UNITS |
|------|--|-----|-------|-----|---------------|
| t1 | Clock Cycle Time for 14.318MHz | | 69.84 | | ns |
| t2 | Clock High Time/Low Time for 14.318MHz | 20 | 35 | | ns |
| t1 | Clock Cycle Time for 32kHz | | 31.25 | | μs |
| t2 | Clock High Time/Low Time for 32kHz | | 16.53 | | μs |
| | Clock Rise Time/Fall Time (not shown) | | | 5 | ns |

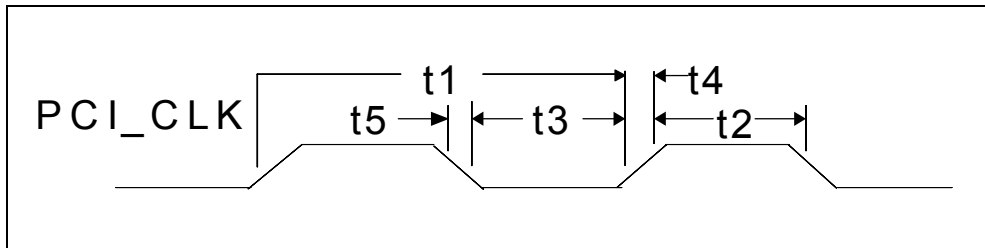


FIGURE 9B – PCI CLOCK TIMING

| NAME | DESCRIPTION | MIN | TYP | MAX | UNITS |
|------|-------------|-----|-----|------|-------|
| t1 | Period | 30 | | 33.3 | nsec |
| t2 | High Time | 12 | | | nsec |
| t3 | Low Time | 12 | | | nsec |
| t4 | Rise Time | | | 3 | nsec |
| t5 | Fall Time | | | 3 | nsec |

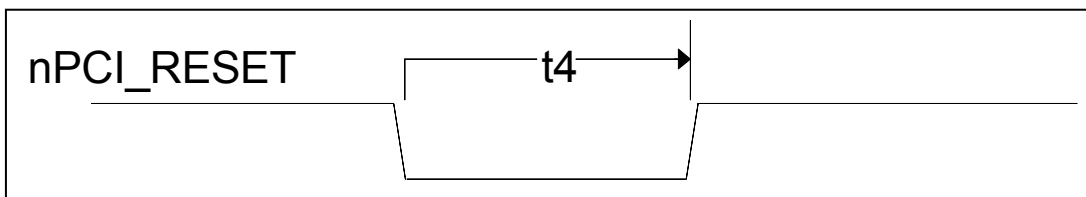


FIGURE 9C - RESET TIMING

| NAME | DESCRIPTION | MIN | TYP | MAX | UNITS |
|------|---------------------------|-----|-----|-----|-------|
| t4 | nPCI_RESET width (Note 1) | | | | μs |

Note 1: The nPCI_RESET width is dependent upon the processor clock. The nPCI_RESET must be active while the clock is running and stable.

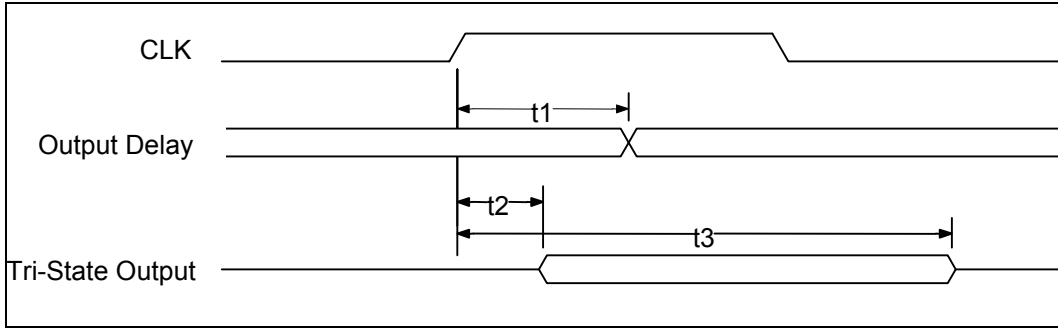


FIGURE 10 – OUPUT TIMING MEASUREMENT CONDITIONS, LPC SIGNALS

| NAME | DESCRIPTION | MIN | TYP | MAX | UNITS |
|------|---|-----|-----|-----|-------|
| t1 | CLK to Signal Valid Delay – Bused Signals | 2 | | 11 | ns |
| t2 | Float to Active Delay | 2 | | 11 | ns |
| t3 | Active to Float Delay | | | 28 | ns |

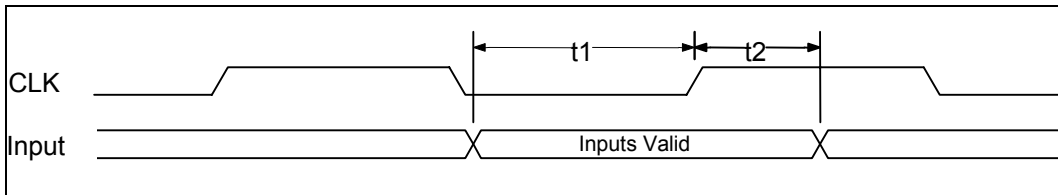


FIGURE 11 – INPUT TIMING MEASUREMENT CONDITIONS, LPC SIGNALS

| NAME | DESCRIPTION | MIN | TYP | MAX | UNITS |
|------|--|-----|-----|-----|-------|
| t1 | Input Set Up Time to CLK – Bused Signals | 7 | | | ns |
| t2 | Input Hold Time from CLK | 0 | | | ns |

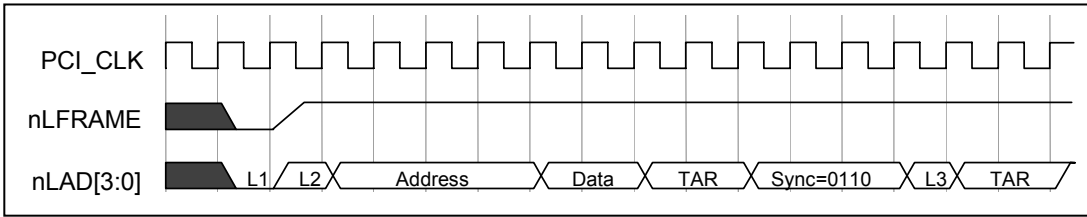


FIGURE 12 – I/O WRITE

Note: L1=Start; L2=CYCTYP+DIR; L3=Sync of 0000

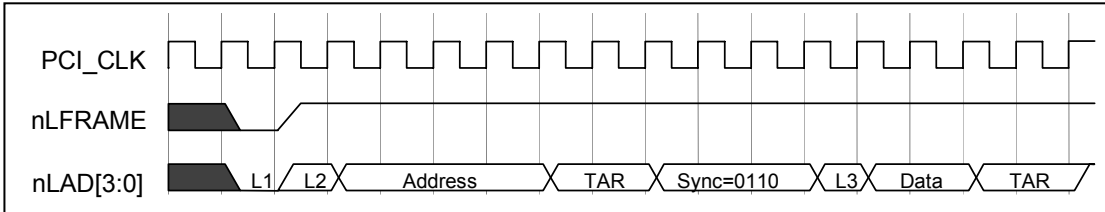


FIGURE 13 – I/O READ

Note: L1=Start; L2=CYCTYP+DIR; L3=Sync of 0000

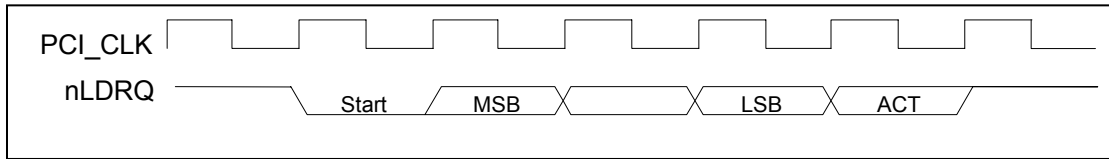


FIGURE 14 – DMA REQUEST ASSERTION THROUGH nLDRQ

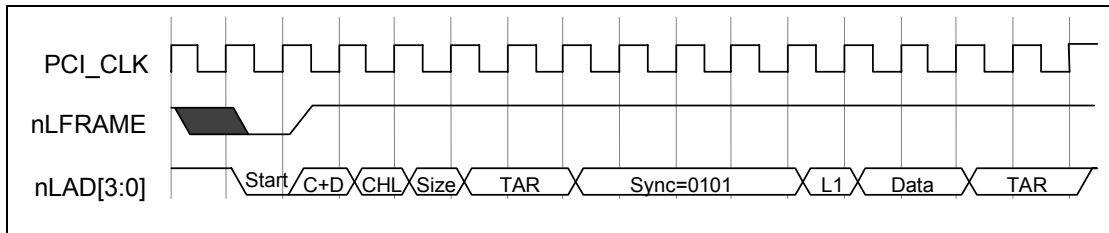


FIGURE 15 – DMA WRITE (FIRST BYTE)

Note: L1=Sync of 0000

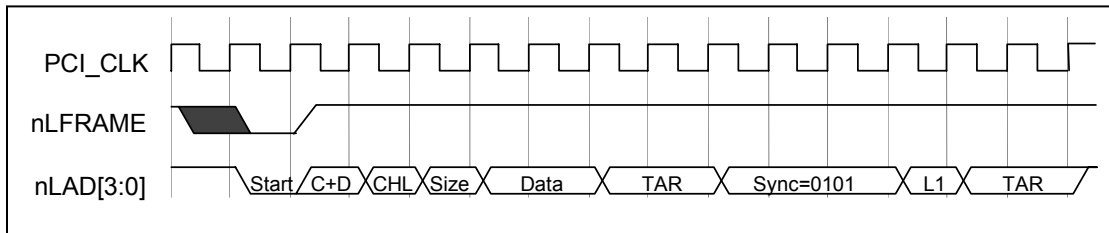


FIGURE 16 – DMA READ (FIRST BYTE)

Note: L1= Sync of 0000

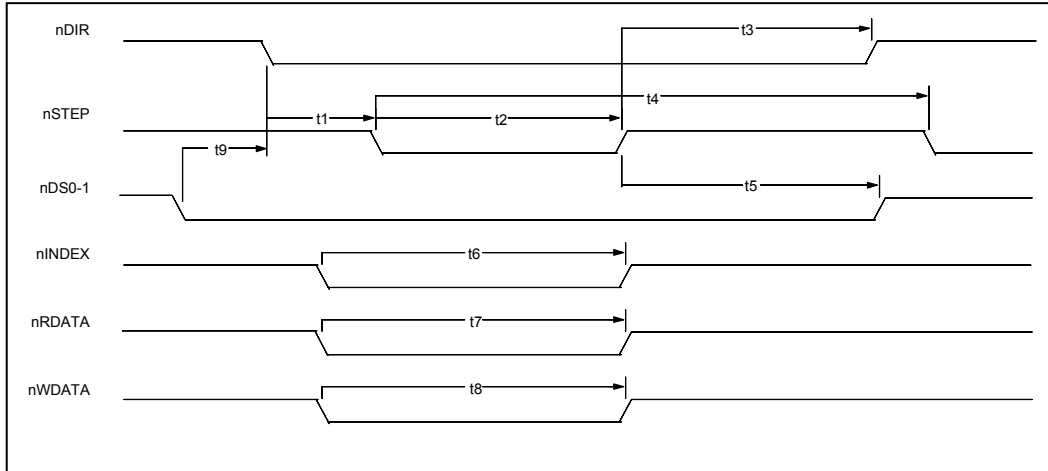


FIGURE 17 – FLOPPY DISK DRIVE TIMING (AT MODE ONLY)

| NAME | DESCRIPTION | MIN | TYP | MAX | UNITS |
|------|--|-----|-----|-----|-------|
| t1 | nDIR Set Up to STEP Low | | 4 | | X* |
| t2 | nSTEP Active Time Low | | 24 | | X* |
| t3 | nDIR Hold Time after nSTEP | | 96 | | X* |
| t4 | nSTEP Cycle Time | | 132 | | X* |
| t5 | nDS0-1 Hold Time from nSTEP Low (Note) | | 20 | | X* |
| t6 | nINDEX Pulse Width | | 2 | | X* |
| t7 | nRDATA Active Time Low | | 40 | | ns |
| t8 | nWDATA Write Data Width Low | | .5 | | Y* |
| t9 | nDS0-1, Setup Time nDIR Low (Note) | 0 | | | ns |

*X specifies one MCLK period and Y specifies one WCLK period.

MCLK = 16 x Data Rate (at 500 kb/s MCLK = 8 MHz)

WCLK = 2 x Data Rate (at 500 kb/s WCLK = 1 MHz)

Note: The nDS0-1 setup and hold times must be met by software.

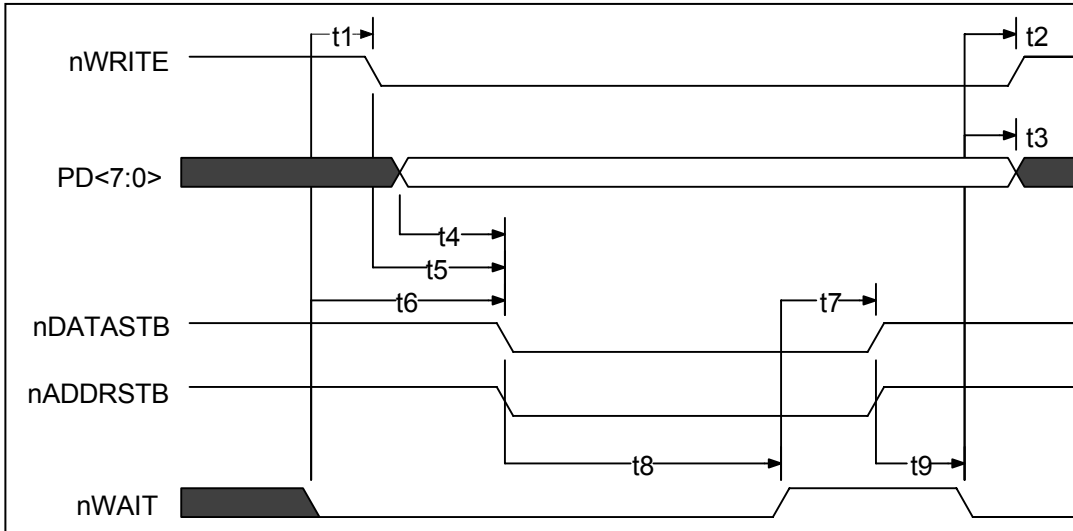


FIGURE 18 – EPP 1.9 DATA OR ADDRESS WRITE CYCLE

| NAME | DESCRIPTION | MIN | TYP | MAX | UNITS |
|------|---|-----|-----|-----|---------|
| t1 | nWAIT Asserted to nWRITE Asserted (Note 1) | 60 | | 185 | ns |
| t2 | nWAIT Asserted to nWRITE Change (Note 1) | 60 | | 185 | ns |
| t3 | nWAIT Asserted to PDATA Invalid (Note 1) | 0 | | | ns |
| t4 | PDATA Valid to Command Asserted | 10 | | | ns |
| t5 | nWRITE to Command Asserted | 5 | | 35 | ns |
| t6 | nWAIT Asserted to Command Asserted (Note 1) | 60 | | 210 | ns |
| t7 | nWAIT Deasserted to Command Deasserted (Note 1) | 60 | | 190 | ns |
| t8 | Command Asserted to nWAIT Deasserted | 0 | | 10 | μ S |
| t9 | Command Deasserted to nWAIT Asserted | 0 | | | ns |

Note 1: nWAIT must be filtered to compensate for ringing on the parallel bus cable. WAIT is considered to have settled after it does not transition for a minimum of 50 nsec.

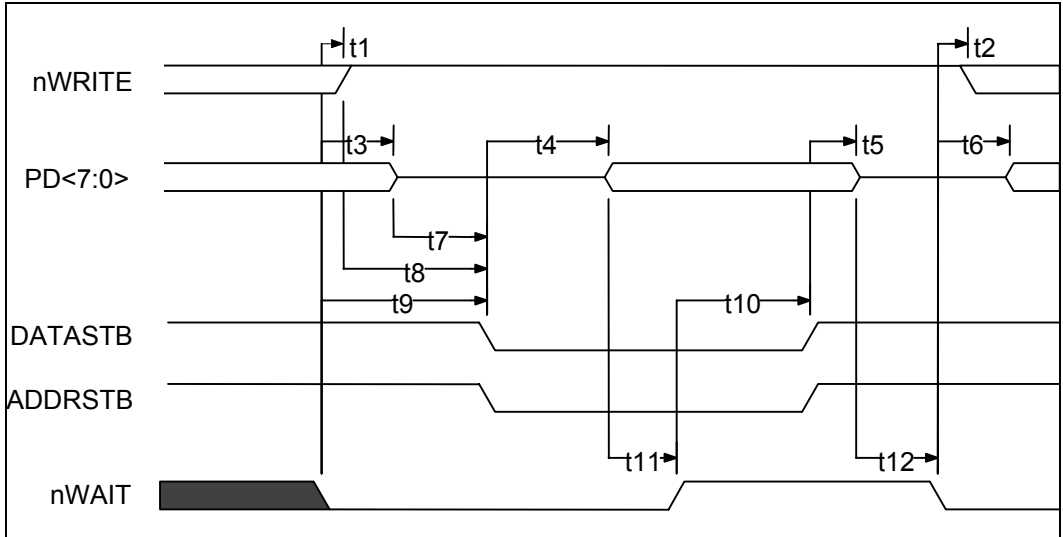


FIGURE 19 – EPP 1.9 DATA OR ADDRESS READ CYCLE

| NAME | DESCRIPTION | MIN | TYP | MAX | UNITS |
|------|---|-----|-----|-----|-------|
| t1 | nWAIT Asserted to nWRITE Deasserted | 0 | | 185 | ns |
| t2 | nWAIT Asserted to nWRITE Modified (Notes 1,2) | 60 | | 190 | ns |
| t3 | nWAIT Asserted to PDATA Hi-Z (Note 1) | 60 | | 180 | ns |
| t4 | Command Asserted to PDATA Valid | 0 | | | ns |
| t5 | Command Deasserted to PDATA Hi-Z | 0 | | | ns |
| t6 | nWAIT Asserted to PDATA Driven (Note 1) | 60 | | 190 | ns |
| t7 | PDATA Hi-Z to Command Asserted | 0 | | 30 | ns |
| t8 | nWRITE Deasserted to Command | 1 | | | ns |
| t9 | nWAIT Asserted to Command Asserted | 0 | | 195 | ns |
| t10 | nWAIT Deasserted to Command Deasserted (Note 1) | 60 | | 180 | ns |
| t11 | PDATA Valid to nWAIT Deasserted | 0 | | | ns |
| t12 | PDATA Hi-Z to nWAIT Asserted | 0 | | | μs |

Note 1: nWAIT is considered to have settled after it does not transition for a minimum of 50 ns.

Note 2: When not executing a write cycle, EPP nWRITE is inactive high.

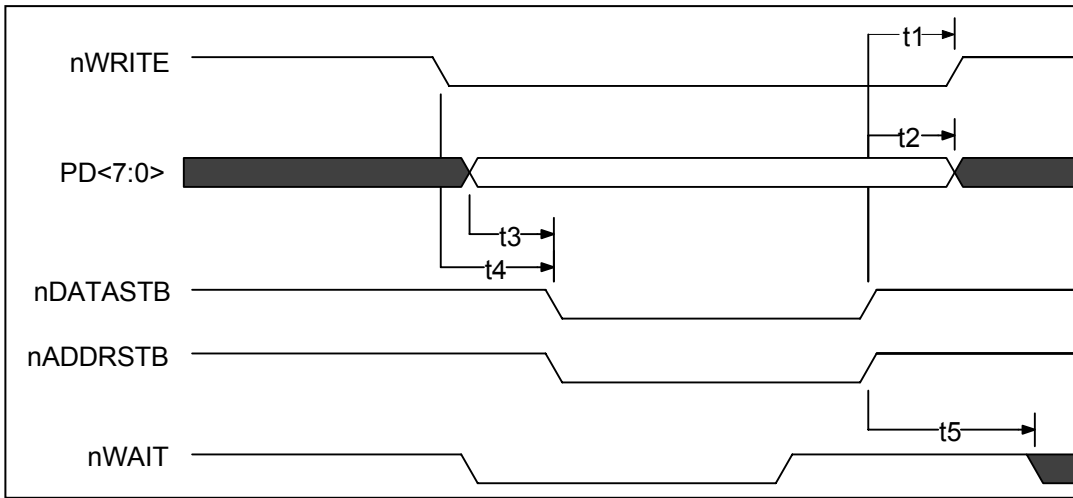


FIGURE 20 – EPP 1.7 DATA OR ADDRESS WRITE CYCLE

| NAME | DESCRIPTION | MIN | TYP | MAX | UNITS |
|------|--|-----|-----|-----|-------|
| t1 | Command Deasserted to nWRITE Change | 0 | | 40 | ns |
| t2 | Command Deasserted to PDATA Invalid | 50 | | | ns |
| t3 | PDATA Valid to Command Asserted | 10 | | 35 | ns |
| t4 | nWRITE to Command | 5 | | 35 | ns |
| t5 | Command Deasserted to nWAIT Deasserted | 0 | | | ns |

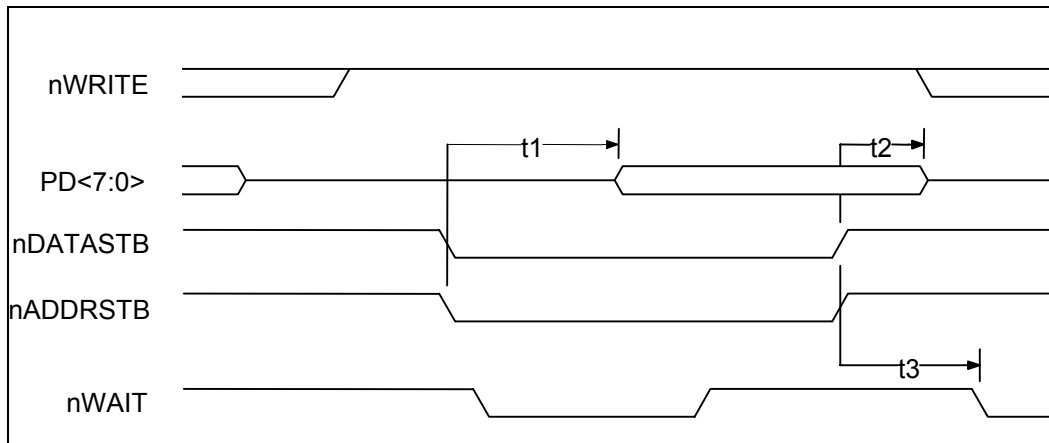


FIGURE 21 – EPP 1.7 DATA OR ADDRESS READ CYCLE

| NAME | DESCRIPTION | MIN | TYP | MAX | UNITS |
|------|--|-----|-----|-----|-------|
| t1 | Command Asserted to PDATA Valid | 0 | | | ns |
| t2 | Command Deasserted to PDATA Hi-Z | 0 | | | ns |
| t3 | Command Deasserted to nWAIT Deasserted | 0 | | | ns |

ECP PARALLEL PORT TIMING

Parallel Port FIFO (Mode 101)

The standard parallel port is run at or near the peak 500KBytes/sec allowed in the forward direction using DMA. The state machine does not examine nACK and begins the next transfer based on Busy. Refer to Figure 22.

ECP Parallel Port Timing

The timing is designed to allow operation at approximately 2.0 Mbytes/sec over a 15ft cable. If a shorter cable is used then the bandwidth will increase.

Forward-Idle

When the host has no data to send it keeps HostClk (nStrobe) high and the peripheral will leave PeriphClk (Busy) low.

Forward Data Transfer Phase

The interface transfers data and commands from the host to the peripheral using an interlocked PeriphAck and HostClk. The peripheral may indicate its desire to send data to the host by asserting nPeriphRequest.

The Forward Data Transfer Phase may be entered from the Forward-Idle Phase. While in the Forward Phase the peripheral may asynchronously assert the nPeriphRequest (nFault) to request that the channel be reversed. When the peripheral is not busy it sets PeriphAck (Busy) low. The host then sets HostClk (nStrobe) low when it is prepared to send data. The data must be stable for the specified setup time prior to the falling edge of HostClk. The peripheral then sets PeriphAck (Busy) high to acknowledge the handshake. The host then sets HostClk (nStrobe) high. The peripheral then accepts the data and sets PeriphAck (Busy) low, completing the transfer. This sequence is shown in Figure 23.

The timing is designed to provide 3 cable round-trip times for data setup if Data is driven simultaneously with HostClk (nStrobe).

Reverse-Idle Phase

The peripheral has no data to send and keeps PeriphClk high. The host is idle and keeps HostAck low.

Reverse Data Transfer Phase

The interface transfers data and commands from the peripheral to the host using an interlocked HostAck and PeriphClk.

The Reverse Data Transfer Phase may be entered from the Reverse-Idle Phase. After the previous byte has been accepted the host sets HostAck (nALF) low. The peripheral then sets PeriphClk (nACK) low when it has data to send. The data must be stable for the specified setup time prior to the falling edge of PeriphClk. When the host is ready to accept a byte it sets HostAck (nALF) high to acknowledge the handshake. The peripheral then sets PeriphClk (nACK) high. After the host has accepted the data it sets HostAck (nALF) low, completing the transfer. This sequence is shown in Figure 24.

Output Drivers

To facilitate higher performance data transfer, the use of balanced CMOS active drivers for critical signals (Data, HostAck, HostClk, PeriphAck, PeriphClk) are used in ECP Mode. Because the use of active drivers can present compatibility problems in Compatible Mode (the control signals, by tradition, are specified as open-collector), the drivers are dynamically changed from open-collector to totem-pole. The timing for the dynamic driver change is specified in then IEEE 1284 Extended Capabilities Port Protocol and ISA Interface Standard, Rev. 1.14, July 14, 1993, available from Microsoft. The dynamic driver change must be implemented properly to prevent glitching the outputs.

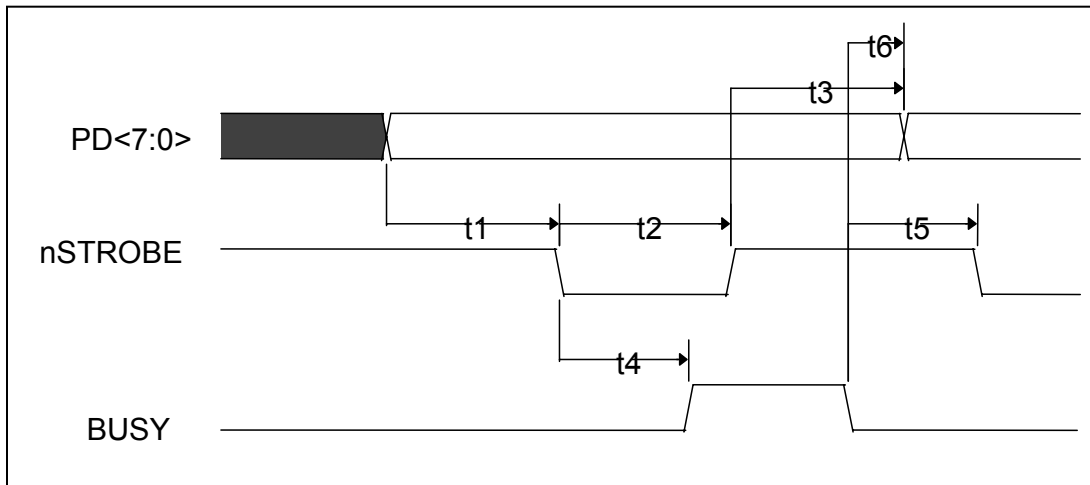


FIGURE 22 - PARALLEL PORT FIFO TIMING

| NAME | DESCRIPTION | MIN | TYP | MAX | UNITS |
|------|---|-----|-----|-----|-------|
| t1 | PDATA Valid to nSTROBE Active | 600 | | | ns |
| t2 | nSTROBE Active Pulse Width | 600 | | | ns |
| t3 | PDATA Hold from nSTROBE Inactive (Note 1) | 450 | | | ns |
| t4 | nSTROBE Active to BUSY Active | | | 500 | ns |
| t5 | BUSY Inactive to nSTROBE Active | 680 | | | ns |
| t6 | BUSY Inactive to PDATA Invalid (Note 1) | 80 | | | ns |

Note 1: The data is held until BUSY goes inactive or for time t3, whichever is longer. This only applies if another data transfer is pending. If no other data transfer is pending, the data is held indefinitely.

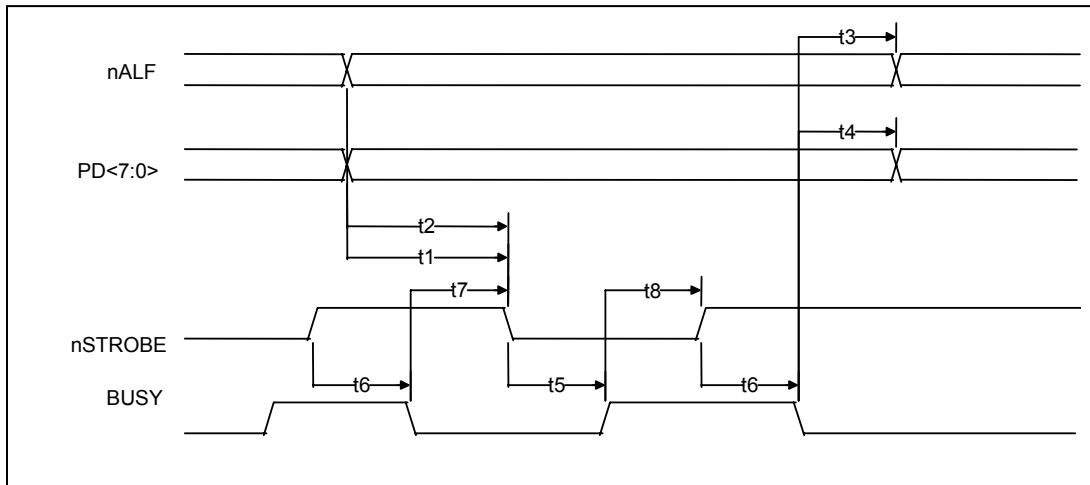


FIGURE 23 - ECP PARALLEL PORT FORWARD TIMING

| NAME | DESCRIPTION | MIN | TYP | MAX | UNITS |
|------|---|-----|-----|-----|-------|
| t1 | nALF Valid to nSTROBE Asserted | 0 | | 60 | ns |
| t2 | PDATA Valid to nSTROBE Asserted | 0 | | 60 | ns |
| t3 | BUSY Deasserted to nALF Changed (Notes 1,2) | 80 | | 180 | ns |
| t4 | BUSY Deasserted to PDATA Changed (Notes 1,2) | 80 | | 180 | ns |
| t5 | nSTROBE Asserted to Busy Asserted | 0 | | | ns |
| t6 | nSTROBE Deasserted to Busy Deasserted | 0 | | | ns |
| t7 | BUSY Deasserted to nSTROBE Asserted (Notes 1,2) | 80 | | 200 | ns |
| t8 | BUSY Asserted to nSTROBE Deasserted (Note 2) | 80 | | 180 | ns |

Note 1: Maximum value only applies if there is data in the FIFO waiting to be written out.

Note 2: BUSY is not considered asserted or deasserted until it is stable for a minimum of 75 to 130 ns.

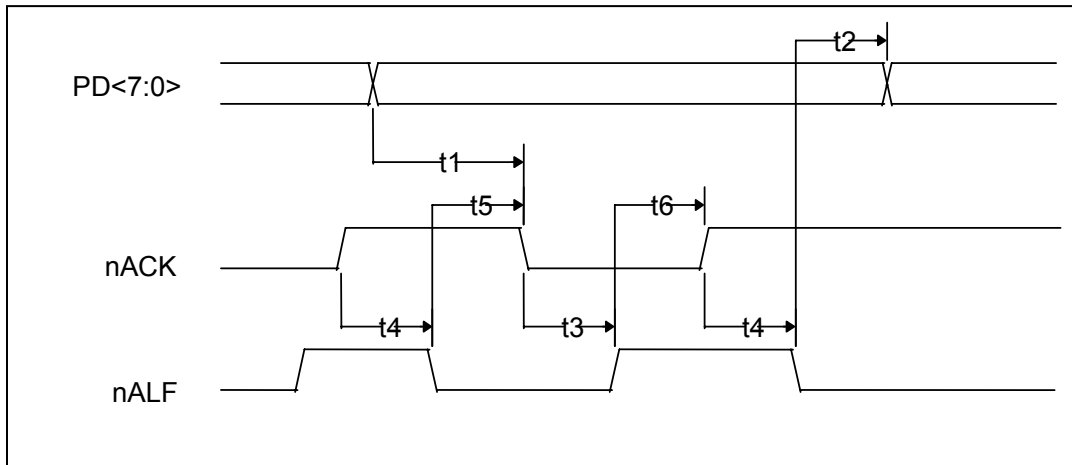
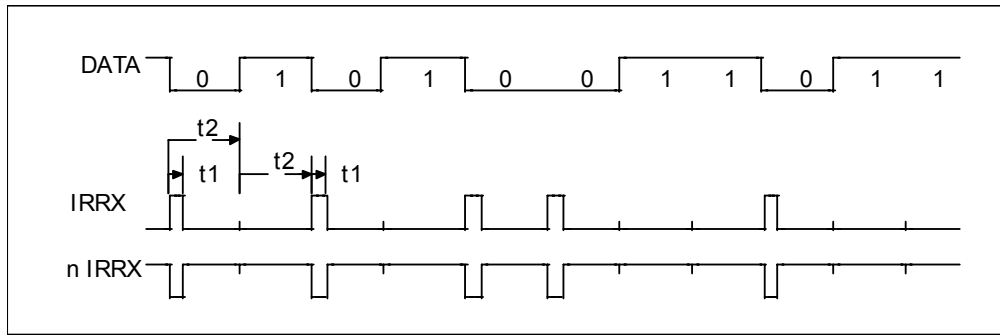


FIGURE 24 - ECP PARALLEL PORT REVERSE TIMING

| NAME | DESCRIPTION | MIN | TYP | MAX | UNITS |
|------|--|-----|-----|-----|-------|
| t1 | PDATA Valid to nACK Asserted | 0 | | | ns |
| t2 | nALF Asserted to PDATA Changed | 0 | | | ns |
| t3 | nACK Asserted to nALF Deasserted (Notes 1,2) | 80 | | 200 | ns |
| t4 | nACK Deasserted to nALF Asserted (Note 2) | 80 | | 200 | ns |
| t5 | nALF Asserted to nACK Asserted | 0 | | | ns |
| t6 | nALF Deasserted to nACK Deasserted | 0 | | | ns |

Note 1: Maximum value only applies if there is room in the FIFO and terminal count has not been received. ECP can stall by keeping nALF low.

Note 2: nACK is not considered asserted or deasserted until it is stable for a minimum of 75 to 130 ns.



| | Parameter | min | typ | max | units |
|----|--------------------------|-----|------|-------|---------------|
| t1 | Pulse Width at 115kbaud | 1.4 | 1.6 | 2.71 | μs |
| t1 | Pulse Width at 57.6kbaud | 1.4 | 3.22 | 3.69 | μs |
| t1 | Pulse Width at 38.4kbaud | 1.4 | 4.8 | 5.53 | μs |
| t1 | Pulse Width at 19.2kbaud | 1.4 | 9.7 | 11.07 | μs |
| t1 | Pulse Width at 9.6kbaud | 1.4 | 19.5 | 22.13 | μs |
| t1 | Pulse Width at 4.8kbaud | 1.4 | 39 | 44.27 | μs |
| t1 | Pulse Width at 2.4kbaud | 1.4 | 78 | 88.55 | μs |
| t2 | Bit Time at 115kbaud | | 8.68 | | μs |
| t2 | Bit Time at 57.6kbaud | | 17.4 | | μs |
| t2 | Bit Time at 38.4kbaud | | 26 | | μs |
| t2 | Bit Time at 19.2kbaud | | 52 | | μs |
| t2 | Bit Time at 9.6kbaud | | 104 | | μs |
| t2 | Bit Time at 4.8kbaud | | 208 | | μs |
| t2 | Bit Time at 2.4kbaud | | 416 | | μs |

Notes:

1. Receive Pulse Detection Criteria: A received pulse is considered detected if the received pulse is a minimum of $1.41\mu\text{s}$.
2. IRRX: L5, CRF1 Bit 0 = 1
nIRRX: L5, CRF1 Bit 0 = 0 (default)

FIGURE 25 - IrDA RECEIVE TIMING

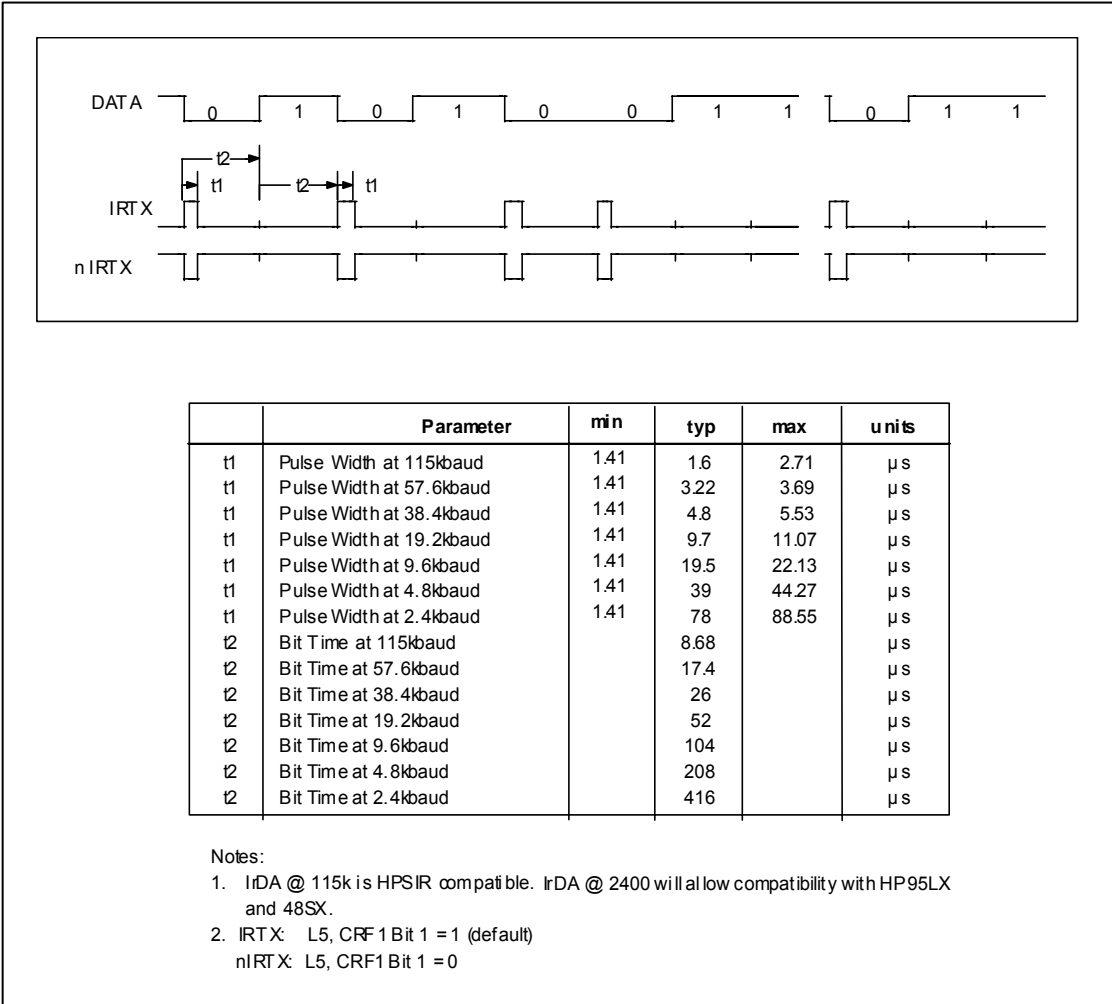
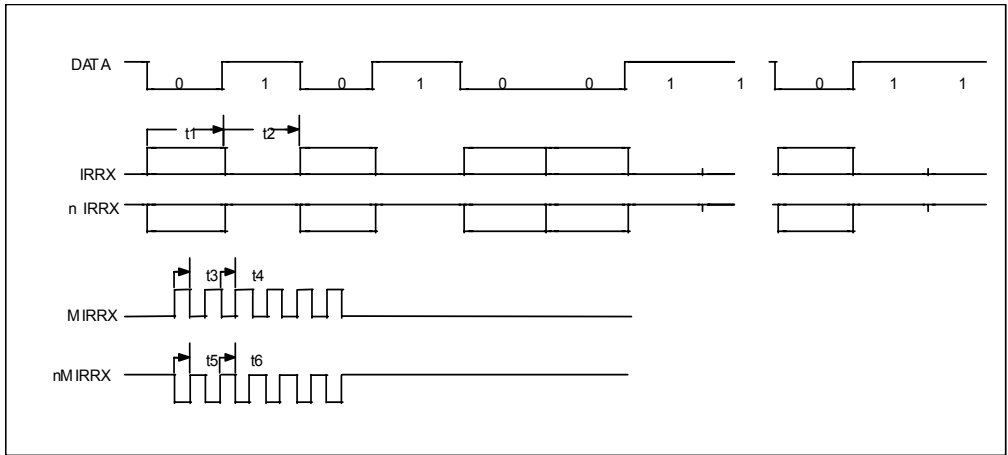


FIGURE 26 - IrDA TRANSMIT TIMING



| | Parameter | min | typ | max | units |
|----|---------------------------|-----|-----|-----|---------|
| t1 | Modulated Output Bit Time | | | | μ s |
| t2 | Off Bit Time | | | | μ s |
| t3 | Modulated Output "On" | 0.8 | 1 | 1.2 | μ s |
| t4 | Modulated Output "Off" | 0.8 | 1 | 1.2 | μ s |
| t5 | Modulated Output "On" | 0.8 | 1 | 1.2 | μ s |
| t6 | Modulated Output "Off" | 0.8 | 1 | 1.2 | μ s |

Notes:
 1. IRRX: L5, CRF1Bit0 = 1
 n IRRX: L5, CRF1Bit0 = 0 (default)
 MIRRX, nMIRRX are the modulated outputs

FIGURE 27 - AMPLITUDE SHIFT KEYED IR RECEIVE TIMING

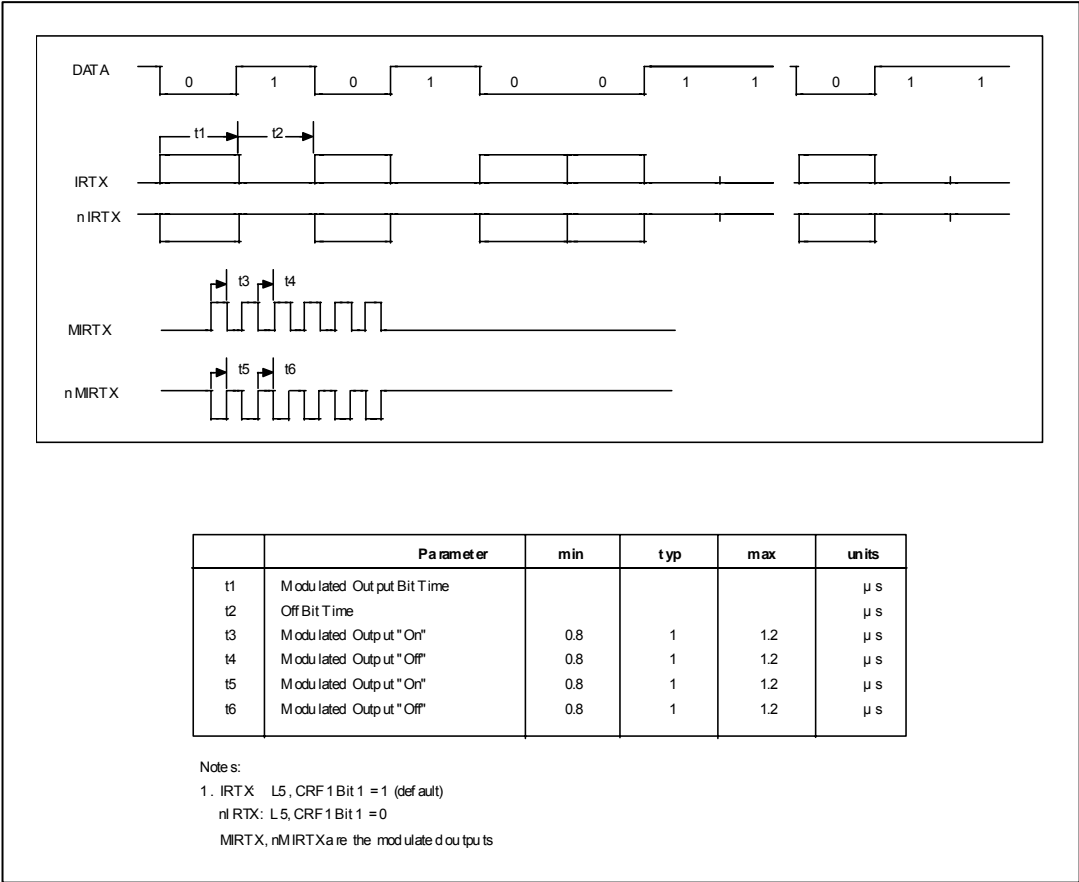


FIGURE 28 - AMPLITUDE SHIFT KEYED IR TRANSMIT TIMING

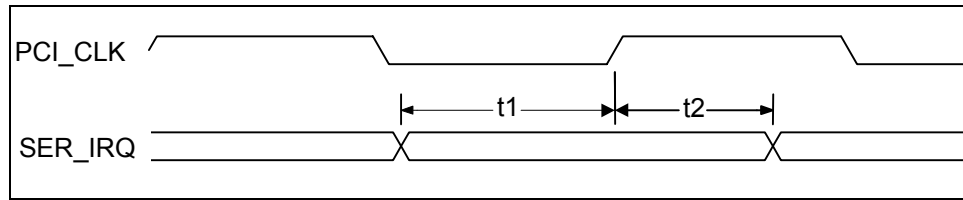


FIGURE 29 – SETUP AND HOLD TIME

| NAME | DESCRIPTION | MIN | TYP | MAX | UNITS |
|------|--------------------------------------|-----|-----|-----|-------|
| t1 | SER_IRQ Setup Time to PCI_CLK Rising | 7 | | | nsec |
| t2 | SER_IRQ Hold Time to PCI_CLK Rising | 0 | | | nsec |

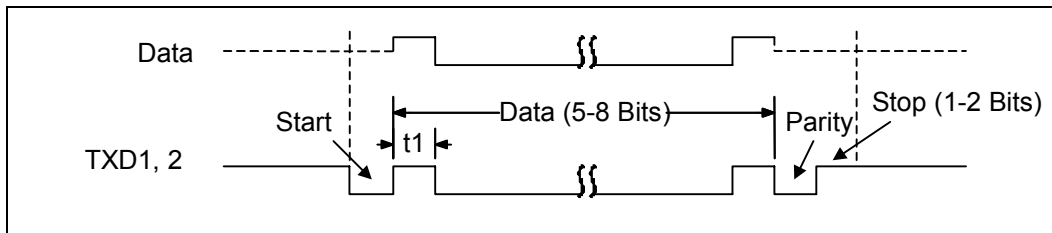


FIGURE 30 – SERIAL PORT DATA

| NAME | DESCRIPTION | MIN | TYP | MAX | UNITS |
|------|---------------------------|-----|------------|-----|-------|
| t1 | Serial Port Data Bit Time | | t_{BR}^1 | | nsec |

Note 1: t_{BR} is 1/Baud Rate. The Baud Rate is programmed through the divisor latch registers. Baud Rates have percentage errors indicated in the “Baud Rate” table in the “Serial Port” section.

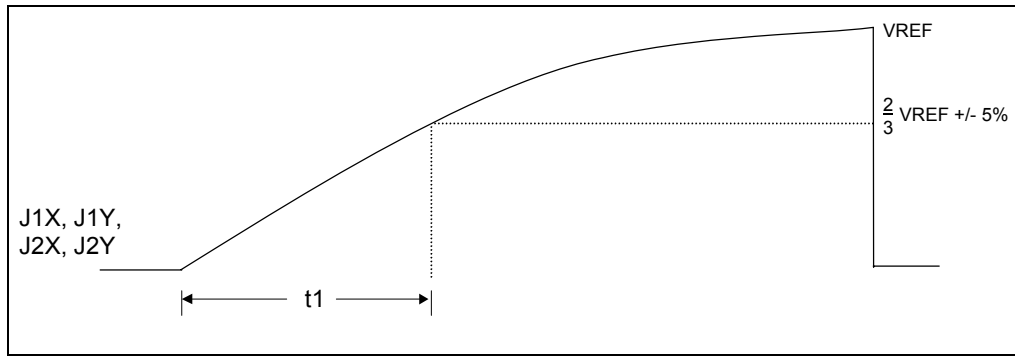


FIGURE 31 – JOYSTICK POSITION SIGNAL

| NAME | DESCRIPTION | MIN | TYP | MAX | UNITS |
|------|-----------------------|-----|-----|-----|-------|
| t1 | Rise Time to 2/3 VREF | 20 | | | μsec |

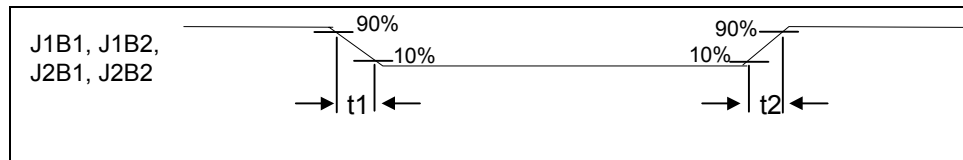


FIGURE 32 – JOYSTICK BUTTON SIGNAL

| NAME | DESCRIPTION | MIN | TYP | MAX | UNITS |
|--------|-----------------------|-----|-----|-----|-------|
| t1, t2 | Button Fall/Rise Time | | | 10 | μsec |

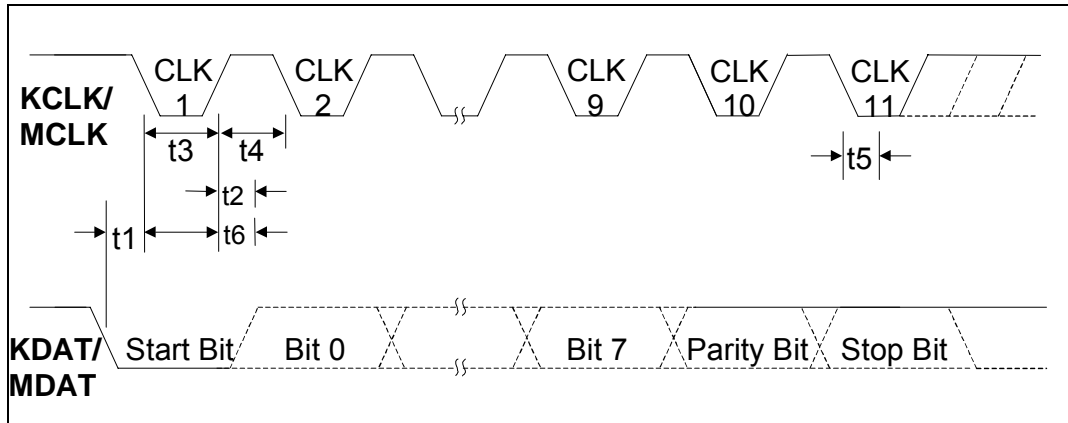


FIGURE 33 – KEYBOARD/MOUSE RECEIVE/SEND DATA TIMING

| NAME | DESCRIPTION | MIN | TYP | MAX | UNITS |
|------|--|-----|-----|------|-------|
| t1 | Time from DATA transition to falling edge of CLOCK (Receive) | 5 | | 25 | μsec |
| t2 | Time from rising edge of CLOCK to DATA transition (Receive) | 5 | | T4-5 | μsec |
| t3 | Duration of CLOCK inactive (Receive/Send) | 30 | | 50 | μsec |
| t4 | Duration of CLOCK active (Receive/Send) | 30 | | 50 | μsec |
| t5 | Time to keyboard inhibit after clock 11 to ensure the keyboard does not start another transmission (Receive) | >0 | | 50 | μsec |
| t6 | Time from inactive to active CLOCK transition, used to time when the auxiliary device samples DATA (Send) | 5 | | 25 | μsec |

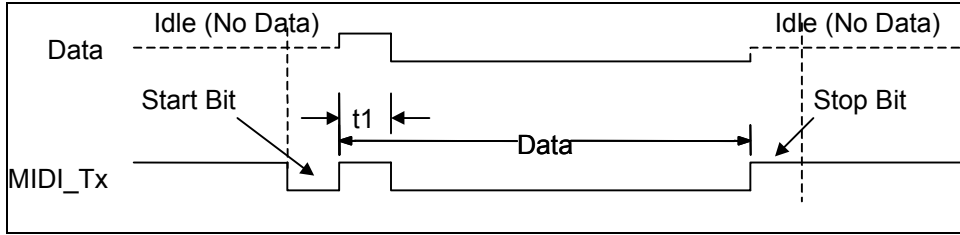


FIGURE 34 – MIDI DATA BYTE

| NAME | DESCRIPTION | MIN | TYP | MAX | UNITS |
|------|--------------------|------|-----|------|-------|
| t1 | MIDI Data Bit Time | 31.7 | 32 | 32.3 | μsec |

Note: The MIDI bit clock is 31.25kHz +/- 1%

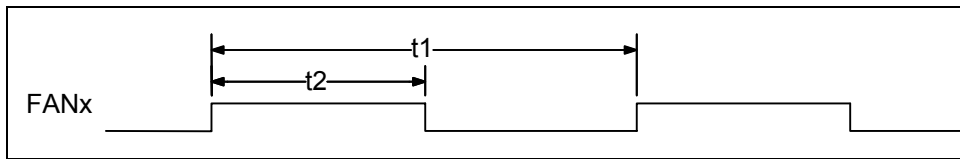


FIGURE 35 – FAN OUTPUT TIMING

| NAME | DESCRIPTION | MIN | TYP | MAX | UNITS |
|------|------------------------|---------|-----|------|-------|
| t1 | PWM Period (Note 1) | 0.021 | | 25.5 | msec |
| t2 | PWM High Time (Note 2) | 0.00033 | | 25.1 | msec |

Note 1: The period is $1/f_{out}$, where f_{out} is programmed through the FANx and Fan Control registers. The tolerance on f_{out} is +/- 2%.

Note 2: When Bit 0 of the FANx registers is 0, then the duty cycle is programmed through Bits[6:1] of these registers. If Bits[6:1] = "000000" then the FANx pin is low. The duty cycle is programmable through Bits[6:1] to be between 1.56% and 98.44%. When Bit 0 is 1, the FANx pin is high.

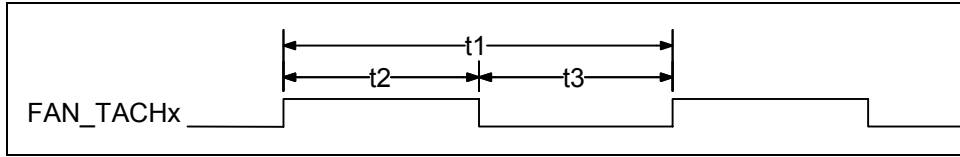


FIGURE 36 – FAN TACHOMETER INPUT TIMING

| NAME | DESCRIPTION | MIN | TYP | MAX | UNITS |
|------|---|---------------|-----|-----|-----------------|
| t1 | Pulse Time (1/2 Revolution Time=30/RPM) | $4t_{TACH}^1$ | | | μsec |
| t2 | Pulse High Time | $3t_{TACH}^1$ | | | μsec |
| t3 | Pulse Low Time | t_{TACH} | | | μsec |

Note 1: t_{TACH} is the clock used for the tachometer counter. It is $30.52 * DVSR$, where the divisor (DVSR) is programmed in the Fan Control register.

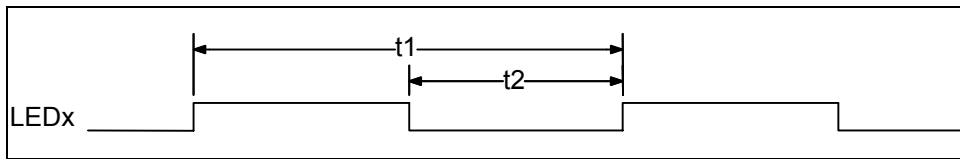


FIGURE 37 – LED OUTPUT TIMING

| NAME | DESCRIPTION | MIN | TYP | MAX | UNITS |
|------|---------------|-----|-----|---------|-------|
| t1 | Period | 1 | | 2 | sec |
| t2 | Blink ON Time | 0 | | 0.5^1 | sec |

Note 1: The blink rate is programmed through Bits[1:0] in LEDx register. When Bits[1:0]=00, LED is OFF. Bits[1:0]=01 indicates LED blink at 1Hz rate with a 50% duty cycle (0.5 sec ON, 0.5 sec OFF). Bits[1:0]=10 indicates LED blink at 1/2 Hz rate with a 25% duty cycle (0.5 sec ON, 1.5 sec OFF). When Bits[1:0]=11, LED is ON.

PACKAGE OUTLINE

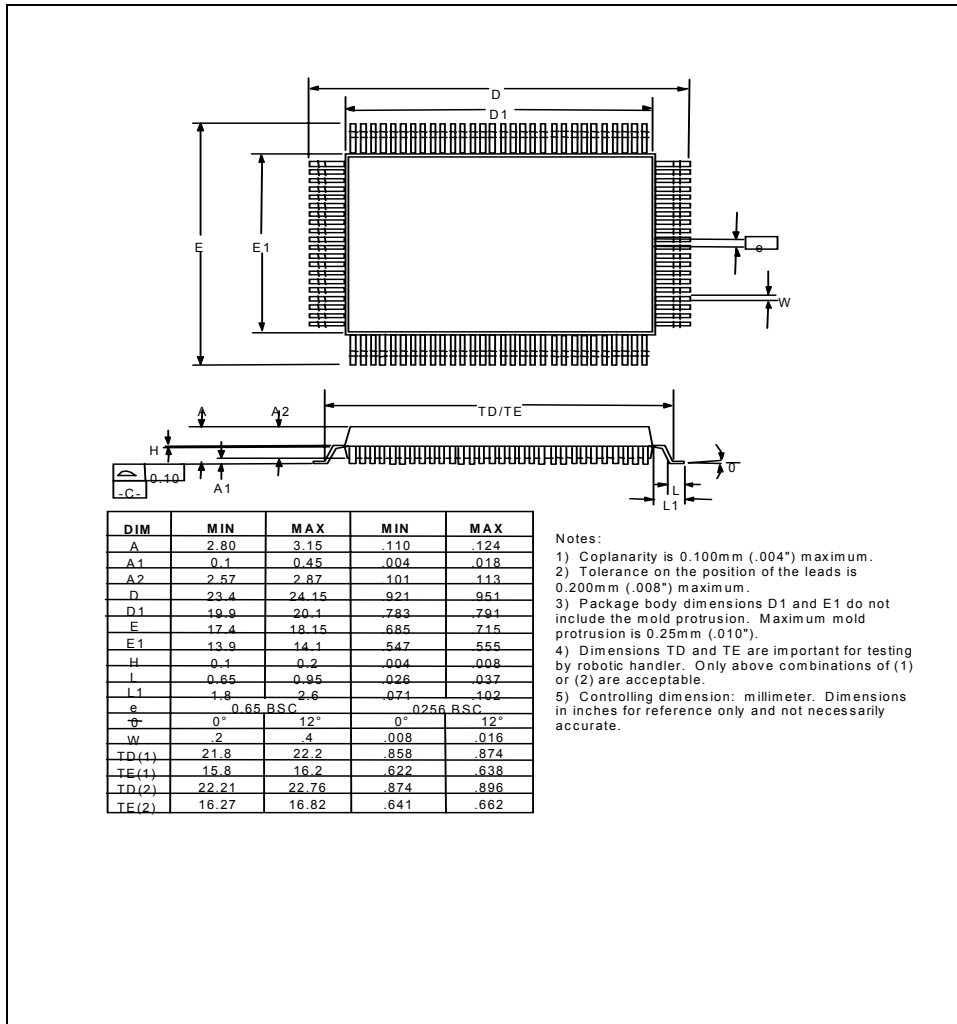


FIGURE 38 - 100 PIN QFP and 100 PIN QFP (LEAD-FREE) PACKAGE OUTLINE

APPENDIX - TEST MODE

Board Test Mode

Board test mode can be entered as follows:

On the rising (deasserting) edge of nPCI_RESET, drive nLFRAME low and drive LAD[0] low.

Exit board test mode as follows:

On the rising (deasserting) edge of nPCI_RESET, drive either nLFRAME or LAD[0] high.

See the “XNOR-Chain Test Mode” section below for a description of this board test mode.

XNOR-CHAIN TEST MODE

XNOR-Chain test structure allows users to confirm that all pins are in contact with the motherboard during assembly and test operations. See Figure 39 below.

The XNOR-Chain test structure must be activated to perform these tests. When the XNOR-Chain is activated, the LPC47M10x pin functions are disconnected from the device pins, which all become input pins except for one output pin at the end of XNOR-Chain.

The tests that are performed when the XNOR-Chain test structure is activated require the board-level test hardware to control the device pins and observe the results at the XNOR-Chain output pin.

The XNOR-Chain output pin is pin 52, GP31/FAN_TACH1. The nPCI_RESET pin and the power and ground pins are not included in the XNOR-Chain. See the following subsections for more details.

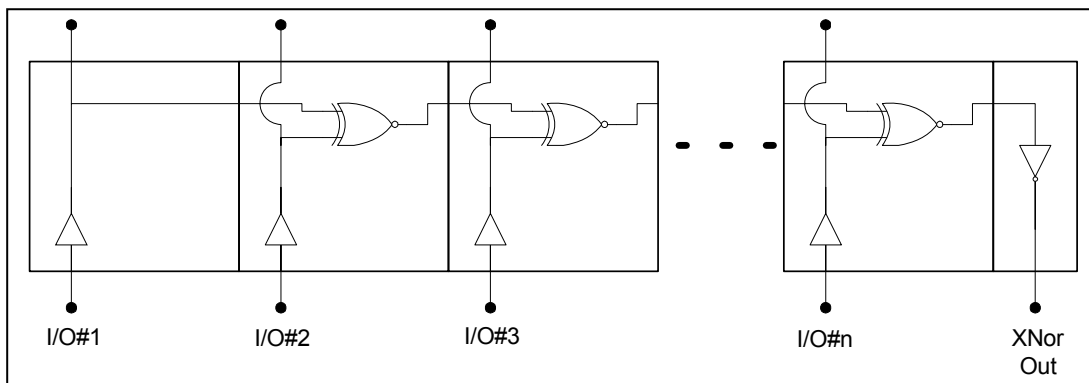


FIGURE 39 - XNOR-CHAIN TEST STRUCTURE

Introduction

The LPC47M10x provides board test capability through the XNOR chain. When the chip is in the XNOR chain test mode, setting the state of any of the input pins to the opposite of its current state will cause the output of the chain to toggle.

All pins on the chip are inputs to the XNOR chain, with the exception of the following:

1. VCC (pins 53, 65 & 93), VTR (pin 18), and VREF (pin 44).
2. VSS (pins 7, 31, 60, & 76) and AVSS (pin 40).
3. FAN_TACH1 (pin 52). This is the chain output.
4. nPCI_RESET (pin 26).

To put the chip in the XNOR chain test mode, tie LAD0 (pin 20) and nLFRAME (pin 24) low. Then toggle nPCI_RESET (pin 26) from a low to a high state. Once the chip is put into XNOR chain test mode, LAD0 (pin 20) and nLFRAME (pin 24) become part of the chain.

To exit the XNOR chain test mode tie LAD0 (pin 20) or nLFRAME (pin 24) high. Then toggle nPCI_RESET (pin 26) from a low to a high state. A VCC POR will also cause the XNOR chain test mode to be exited. To verify the test mode has been exited, observe the output at FAN_TACH1 (pin 52). Toggling any of the input pins should not cause its state to change.

Setup

Warning: Ensure power supply is off during setup.

1. Connect VSS (pins 7, 31, 60, & 76) and AVSS (pin 40) to ground.
2. Connect VCC (pins 53, 65 & 93), VTR (pin 18), and VREF (pin 44) to VCC (3.3V).
3. Connect an oscilloscope or voltmeter to FAN_TACH1 (pin 52).
4. All other pins should be tied to ground.

Testing

1. Turn power on.
2. With LAD0 (pin 20) and nLFRAME (pin 24) low, bring nPCI_RESET (pin 26) high. The chip is now in XNOR chain test mode. At this point, all inputs to the XNOR chain are low. The output, on FAN_TACH1 (pin 52), should also be low. Refer to INITIAL CONFIG on Truth Table 1.
3. Bring pin 100 high. The output on FAN_TACH1 (pin 52) should go high. Refer to STEP ONE on Truth Table 1.
4. In descending pin order, bring each input high. The output should switch states each time an input is toggled. Continue until all inputs are high. The output on FAN_TACH1 should now be low. Refer to END CONFIG on Truth Table 1.
5. The current state of the chip is now represented by INITIAL CONFIG in Truth Table 2.
6. Each input should now be brought low, starting at pin one and continuing in ascending order. Continue until all inputs are low. The output on FAN_TACH1 should now be low. Refer to Truth Table 2.
7. To exit test mode, tie LAD0 (pin 20) OR nLFRAME (pin 24) high, and toggle nPCI_RESET from a low to a high state.

TRUTH TABLE 1 - Toggling Inputs In Descending Order

| | PIN 100 | PIN 99 | PIN 98 | PIN 97 | PIN 96 | PIN ... | PIN 1 | OUTPUT PIN 52 |
|----------------|---------|--------|--------|--------|--------|---------|-------|---------------|
| INITIAL CONFIG | L | L | L | L | L | L | L | L |
| STEP 1 | H | L | L | L | L | L | L | H |
| STEP 2 | H | H | L | L | L | L | L | L |
| STEP 3 | H | H | H | L | L | L | L | H |
| STEP 4 | H | H | H | H | L | L | L | L |
| STEP 5 | H | H | H | H | H | L | L | H |
| ... | ... | ... | ... | ... | ... | ... | ... | ... |
| STEP N | H | H | H | H | H | H | L | H |
| END CONFIG | H | H | H | H | H | H | H | L |

TRUTH TABLE 2 - Toggling Inputs In Ascending Order

| | PIN 1 | PIN 2 | PIN 3 | PIN 4 | PIN 5 | PIN ... | PIN 100 | OUTPUT PIN 52 |
|----------------|-------|-------|-------|-------|-------|---------|---------|---------------|
| INITIAL CONFIG | H | H | H | H | H | H | H | L |
| STEP 1 | L | H | H | H | H | H | H | H |
| STEP 2 | L | L | H | H | H | H | H | L |
| STEP 3 | L | L | L | H | H | H | H | H |
| STEP 4 | L | L | L | L | H | H | H | L |
| STEP 5 | L | L | L | L | L | H | H | H |
| ... | ... | ... | ... | ... | ... | ... | ... | ... |
| STEP N | L | L | L | L | L | L | H | L |
| END CONFIG | L | L | L | L | L | L | L | L |



80 ARKAY DRIVE, HAUPPAUGE, NY 11788 (631) 435-6000, FAX (631) 273-3123

Copyright © 2007 SMSC or its subsidiaries. All rights reserved.

Circuit diagrams and other information relating to SMSC products are included as a means of illustrating typical applications. Consequently, complete information sufficient for construction purposes is not necessarily given. Although the information has been checked and is believed to be accurate, no responsibility is assumed for inaccuracies. SMSC reserves the right to make changes to specifications and product descriptions at any time without notice. Contact your local SMSC sales office to obtain the latest specifications before placing your product order. The provision of this information does not convey to the purchaser of the described semiconductor devices any licenses under any patent rights or other intellectual property rights of SMSC or others. All sales are expressly conditional on your agreement to the terms and conditions of the most recently dated version of SMSC's standard Terms of Sale Agreement dated before the date of your order (the "Terms of Sale Agreement"). The product may contain design defects or errors known as anomalies which may cause the product's functions to deviate from published specifications. Anomaly sheets are available upon request. SMSC products are not designed, intended, authorized or warranted for use in any life support or other application where product failure could cause or contribute to personal injury or severe property damage. Any and all such uses without prior written approval of an Officer of SMSC and further testing and/or modification will be fully at the risk of the customer. Copies of this document or other SMSC literature, as well as the Terms of Sale Agreement, may be obtained by visiting SMSC's website at <http://www.smsc.com>. SMSC is a registered trademark of Standard Microsystems Corporation ("SMSC"). Product names and company names are the trademarks of their respective holders.

SMSC DISCLAIMS AND EXCLUDES ANY AND ALL WARRANTIES, INCLUDING WITHOUT LIMITATION ANY AND ALL IMPLIED WARRANTIES OF MERCHANTABILITY, FITNESS FOR A PARTICULAR PURPOSE, TITLE, AND AGAINST INFRINGEMENT AND THE LIKE, AND ANY AND ALL WARRANTIES ARISING FROM ANY COURSE OF DEALING OR USAGE OF TRADE. IN NO EVENT SHALL SMSC BE LIABLE FOR ANY DIRECT, INCIDENTAL, INDIRECT, SPECIAL, PUNITIVE, OR CONSEQUENTIAL DAMAGES; OR FOR LOST DATA, PROFITS, SAVINGS OR REVENUES OF ANY KIND; REGARDLESS OF THE FORM OF ACTION, WHETHER BASED ON CONTRACT; TORT; NEGLIGENCE OF SMSC OR OTHERS; STRICT LIABILITY; BREACH OF WARRANTY; OR OTHERWISE; WHETHER OR NOT ANY REMEDY OF BUYER IS HELD TO HAVE FAILED OF ITS ESSENTIAL PURPOSE, AND WHETHER OR NOT SMSC HAS BEEN ADVISED OF THE POSSIBILITY OF SUCH DAMAGES.

LPC47M10x Revision 1.0 (02-16-07)