

Product: Gen2 PCIe[®] 3-Port/3-Lane ExtremeLo[™] Packet Switch

Part Numbers: PI7C9X2G303EL

Product Description

The PI7C9X2G303EL is a PCI Express[®] 2.1 3-port/3-lane PCI Express ExtremeLo[™] Packet Switch specifically designed to meet the latest low-power, lead (Pb)-free and green system requirements. The PI7C9X2G303EL is a high-performance, cost-effective solution that can be implemented in systems such as Embedded system, Wi-Fi router/ gateway,, Printer, Storage, combo card, HBA, set-top box, motherboard, laptop, docking station, and other power-sensitive high performance platforms. The name of the family, ExtremeLo[™], refers to Pericom's proprietary power-saving PowerSave[™] technology.

The PI7C9X2G303EL provides one x1 upstream port and two x1 downstream ports. The PI7C9X2G303EL provides users the flexibility to expand or fan-out from a wide range of I/O Bridges such as PCH, ICH, IOH, embedded MCU, FPGA, and other Application Specific ICs.

Industry Specifications Compliance

- PCI Express[®] Base Specification, Revision 2.1
- PCI Express CEM Specification, Revision 2.0
- PCI-to-PCI Bridge Architecture Spec., Rev 1.2
- Advanced Configuration Power Interface (ACPI) Specification

Features

- Non-blocking full-wired switching capability at 24 Gbps when all 3 lanes are enabled
- Integrated 100MHz Clock buffer for each downstream port
- Reliability, Availability and Serviceability
 - Supports Data Poisoning and End-to-End CRC
 - Advanced Error Reporting and Logging
 - IEEE 1149.6 JTAG interface support
- Link Power Management
 - Supports L0, L0s, L1, L2, L2/L3_{Ready} and L3 link power state
 - Active state power management for L0s and L1 state
- Device State Power Management
 - Supports D0, D3_{Hot} and D3_{Cold}
 - 3.3V Aux Power support in D3_{Cold} power state
- Supports up to 256-byte maximum payload size
- Power Dissipation: 0.65 W typical in L0 normal mode and 0.17W typical in L1 mode
- Industrial Temperature Range: -40° to 85°C
- MTBF: TBD
- Package: 136-pin aQFN 8mm x 8mm
 - Pb free and 100% Green

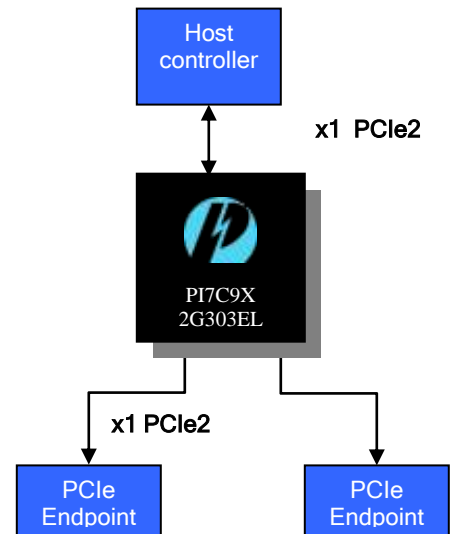
Enhanced Features

- Programmable Driver Current and De-Emphasis Level at each individual port
- 150ns typical latency for packet running through switch without blocking
- Supports "Cut-through"(Default) as well as "Store and Forward" mode for switching packets
- Advanced Power Savings

- Empty downstream ports are set to idle
- Clock to corresponding circuit is turned off when any port enters L1 or ASPM L1
- Supports Access Control Service (ACS) for peer-to-peer traffic
- Supports Address Translation (AT) packet for SR-IOV application
- Supports Latency Tolerance Reporting (LTR) to improve Platform Power Management
- Supports Optimized Buffer Flush Fill (OBFF) to improve Platform Power Management

Applications

- Wireless AP/ Router
- Wire/ Wireless Tele/ data communication
- Embedded system
- Set-top box and consumer devices
- Industrial control
- NAS/ Storage
- Printer/ MFP
- Peripheral
- PCIe Surveillance and Combo cards
- Notebook internal PCIe fan-out
- PC Motherboard PCIe slot expansion



PI7C9X2G303EL – Application Example

Order Information

PART NUMBER	PACKAGE	PB-FREE & GREEN	TEMPERATURE
PI7C9X2G303ELAZXEX [†]	136 aQFN	YES	-40°C TO 85°C
PI7C9X2G303ELAEVB	Board	Evaluation kit for PI7C9X2G303ELA	

[†] Note: Adding an X suffix =Tape/Reel