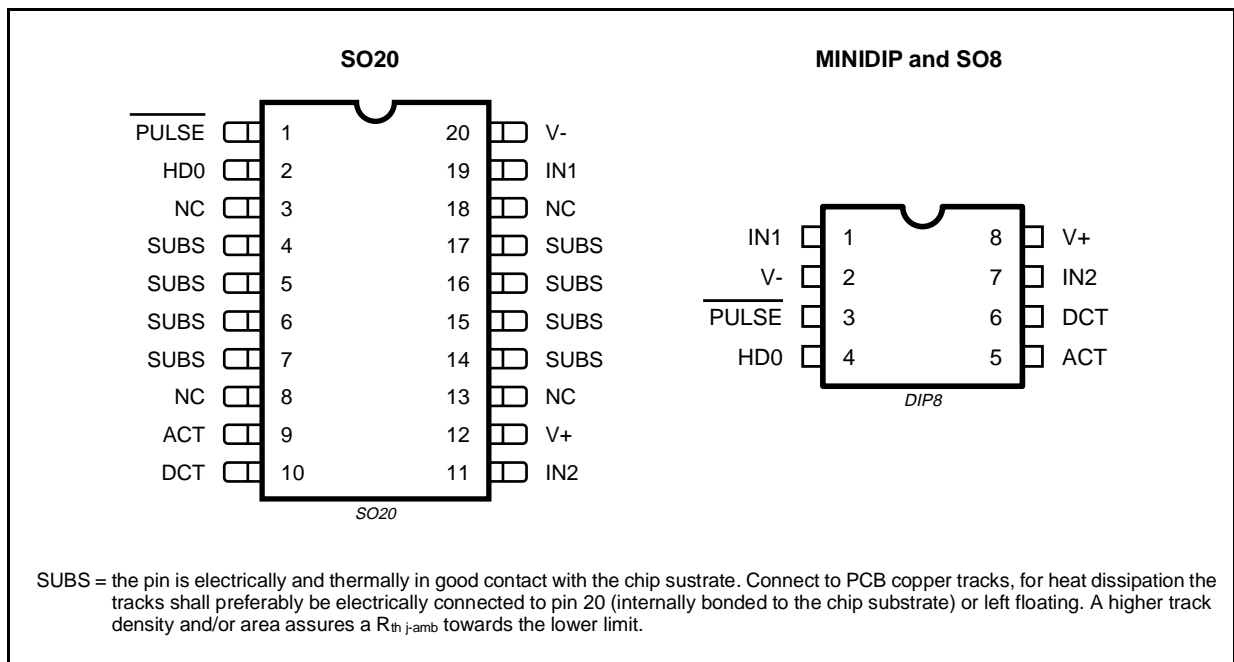


ABSOLUTE MAXIMUM RATINGS

Symbol	Parameter	Value	Unit
V_L	Max Line Voltage (pulse duration 10 ms max)	20	V
I_L	Max Line Current	150	mA
P_{tot}	Total Power Dissipation at $T_{amb} = 70\text{ }^\circ\text{C}$	800	mW
T_{op}	Operating Temperature	- 40 to + 70	$^\circ\text{C}$
T_{srg}, T_j	Storage and Junction Temperature	- 55 to + 150	$^\circ\text{C}$

PIN CONNECTION (Top view)



THERMAL DATA

Symbol	Parameter	Minidip	SO8	SO20	Unit
$R_{th\ j-amb}$	Thermal Resistance Junction-ambient (*)	Max. 80	140 to 180	50 to 70	$^\circ\text{C}/\text{W}$

(*) Mounted on FR4 Boards

DC ELECTRICAL CHARACTERISTICS ($I_L = 10 \text{ mA}$ to 100 mA , $R_1 = 56 \Omega$, $S_1 = \text{Open}$, $T_{\text{amb}} = + 25 \text{ }^\circ\text{C}$, unless otherwise specified)

Symbol	Parameter	Test Condition	Min.	Typ.	Max.	Unit
V_L	Line Voltage (normal mode)	PULSE = Open $I_L = 10 \text{ mA}$ $I_L = 20 \text{ mA}$ $I_L = 100 \text{ mA}$			5 6 12	V V V
V_{LP}	Line Voltage (pulse mode)	PULSE = V^- $I_L = 20 \text{ mA}$ $I_L = 35 \text{ mA}$ $I_L = 80 \text{ mA}$			4 5.5 9.5	V V V
I_{hn}	ON/OFF-Hook Line Current Detection Threshold		6.5		9.5	mA
I_{hf}	OFF/ON-Hook Line Current Detection Threshold		5		9.2	mA
I_{OUT}	OFF-Hook Output Drive Current at Pin HDO	$I_L = 10 \text{ mA}$ $I_L \geq 20 \text{ mA}$	1.5 1.8			mA mA
V_{PM}	Pulse Input Low Voltage				0.8	V
I_{PM}	Pull-up Input Current at Pin PULSE (pulse mode)	$I_L = 100 \text{ mA}$ Pulse = V^-			20	μA
I_{NM}	Input Current at Pin Pulse (normal mode)				3	μA

AC ELECTRICAL CHARACTERISTICS ($I_L = 10\text{mA}$ to 100mA , $R_1 = 56\Omega$, $R_2 = 470\text{K}\Omega$, $R_3 = 130 \text{ K}\Omega$, $T_{\text{amb}} = + 25 \text{ }^\circ\text{C}$, unless otherwise specified)

Symbol	Parameter	Test Condition	Min.	Typ.	Max.	Unit
Z_L	AC Line Impedance	$S_1 = \text{Open}$, $S_2 = \text{Open}$ $C_1 = 2.2\text{mF}$ $f = 1\text{KHz}$		20		$\text{K}\Omega$
	Sending/Receiving Distortion	$S_1 = \text{Open}$, $S_2 = \text{Open}$ $f = 1\text{KHz}$ $V_{AC-L} = 775\text{mVrms}$ $I_L = 15 \text{ to } 100\text{mA}$			2	%
	Sending/Receiving Distortion	$S_1 = \text{Closed}$; $S_2 = \text{Open}$ $V_{AC-L} = 1.3\text{Vrms}$		2		%
	Sending/Receiving Distortion	$S_1 = \text{Open}$; $S_2 = \text{Closed}$ $V_{AC-L} = 1.9\text{Vrms}$		2(*)		%

(*) Not tested, guaranteed only by design.

APPLICATION INFORMATION

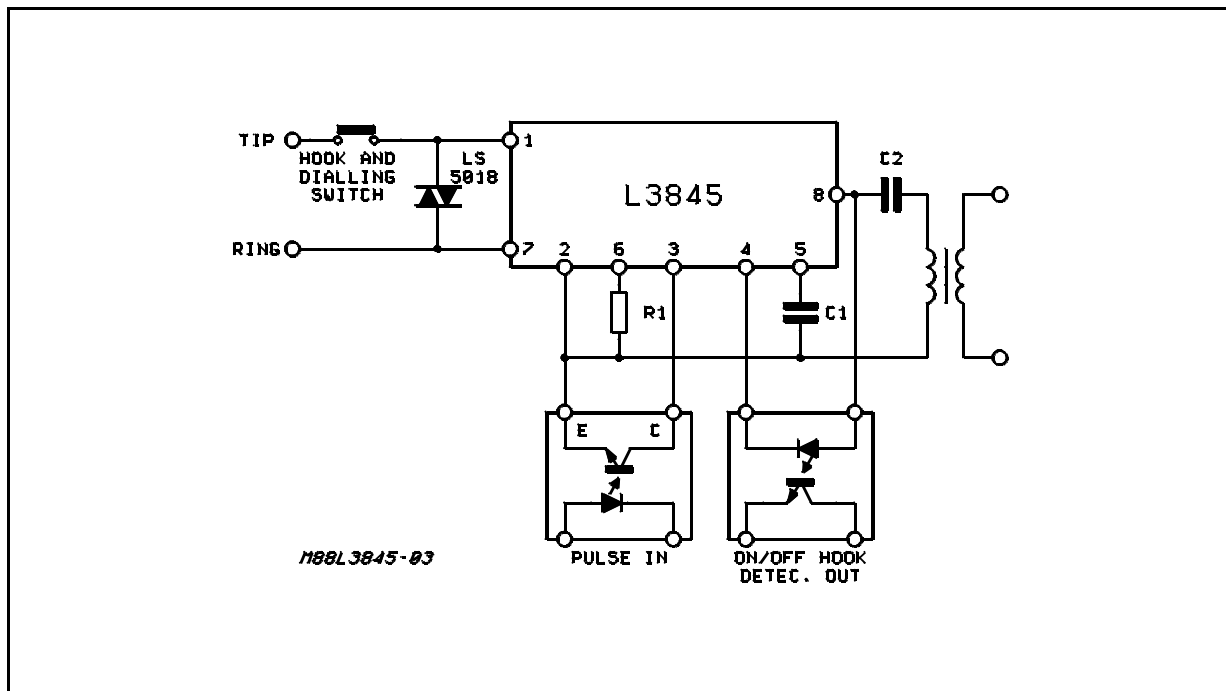
With the use of this circuit it is possible to terminate an analog trunk so that all the DC current component is flowing in the TRUNK TERMINATION CIRCUIT while the AC component is decoupled with a low voltage capacitor and can be used with a small and low cost audio coupler transformer to provide the AC balancing termination and two to four wire conversion.

Therefore it is useful both for MODEM and PABX systems.

Figure 1 gives the typical application circuit ; it is worth to note that the TRUNK TERMINATION CIRCUIT, together with the LS5018 transient suppressor provides a compact and low cost module fully protected against lightning or overvoltages frequently present on telephone lines.

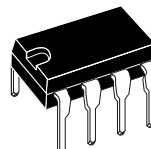
The PULSE input when connected to V^- allows the device to reduce the Line Voltage and to show a resistive impedance equal to R_1 to the line. When PULSE input is left open, this function is disable.

Figure 1: Typical Application.

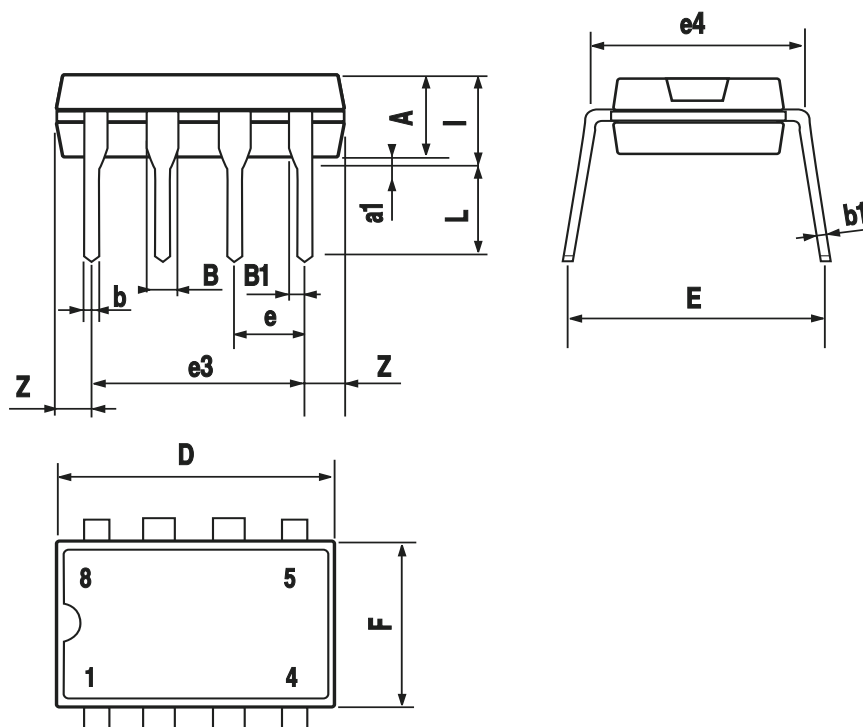


DIM.	mm			inch		
	MIN.	TYP.	MAX.	MIN.	TYP.	MAX.
A		3.32			0.131	
a1	0.51			0.020		
B	1.15		1.65	0.045		0.065
b	0.356		0.55	0.014		0.022
b1	0.204		0.304	0.008		0.012
D			10.92			0.430
E	7.95		9.75	0.313		0.384
e		2.54			0.100	
e3		7.62			0.300	
e4		7.62			0.300	
F			6.6			0.260
I			5.08			0.200
L	3.18		3.81	0.125		0.150
Z			1.52			0.060

OUTLINE AND MECHANICAL DATA

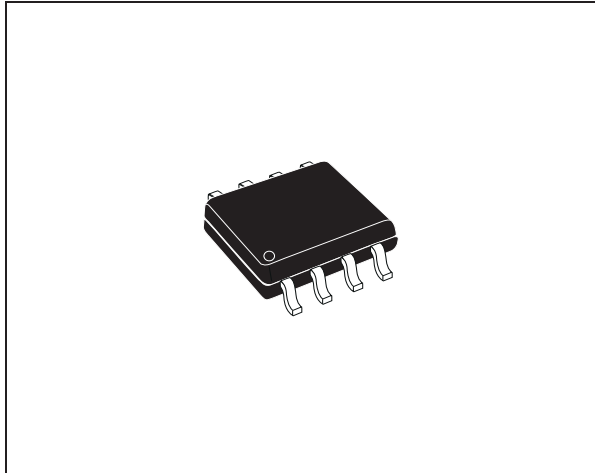


Minidip



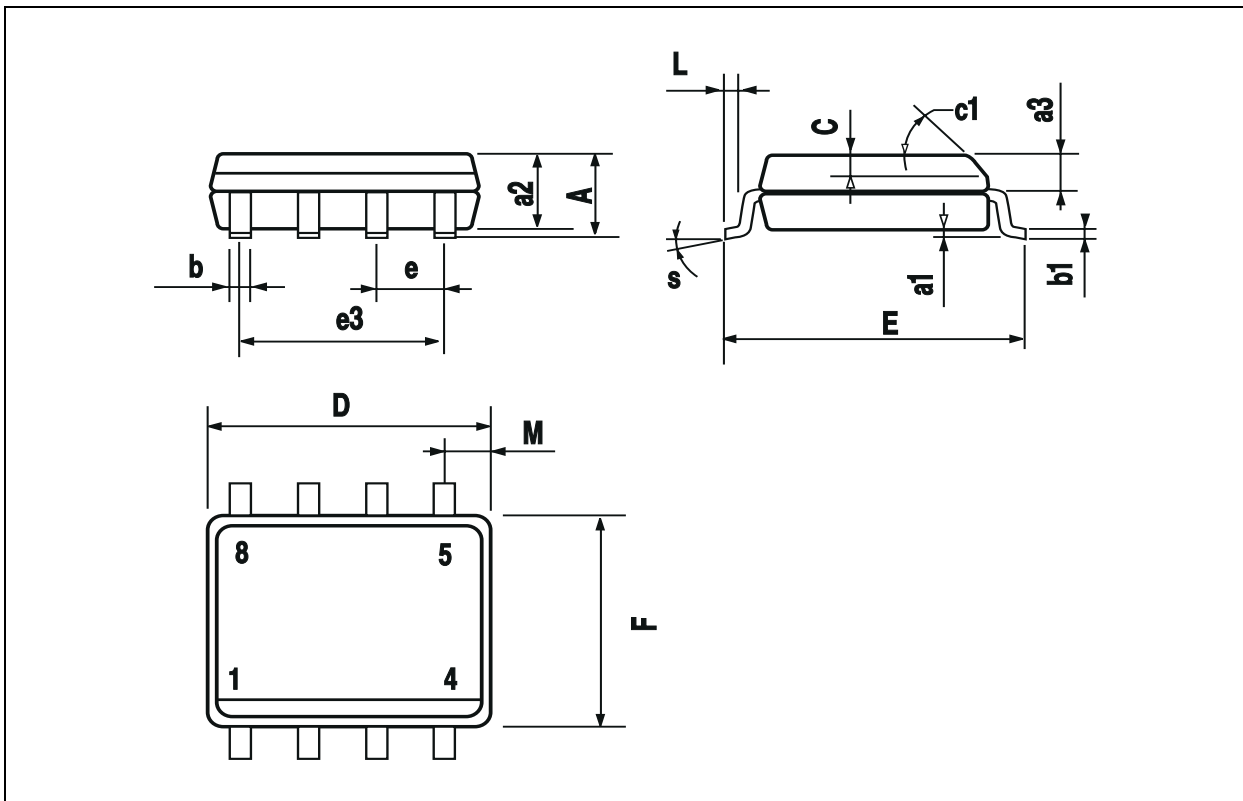
DIM.	mm			inch		
	MIN.	TYP.	MAX.	MIN.	TYP.	MAX.
A			1.75			0.069
a1	0.1		0.25	0.004		0.010
a2			1.65			0.065
a3	0.65		0.85	0.026		0.033
b	0.35		0.48	0.014		0.019
b1	0.19		0.25	0.007		0.010
C	0.25		0.5	0.010		0.020
c1	45° (typ.)					
D (1)	4.8		5.0	0.189		0.197
E	5.8		6.2	0.228		0.244
e		1.27			0.050	
e3		3.81			0.150	
F (1)	3.8		4.0	0.15		0.157
L	0.4		1.27	0.016		0.050
M			0.6			0.024
S	8° (max.)					

OUTLINE AND MECHANICAL DATA



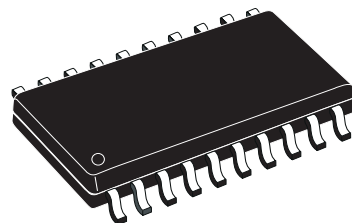
SO8

(1) D and F do not include mold flash or protrusions. Mold flash or protrusions shall not exceed 0.15mm (.006inch).

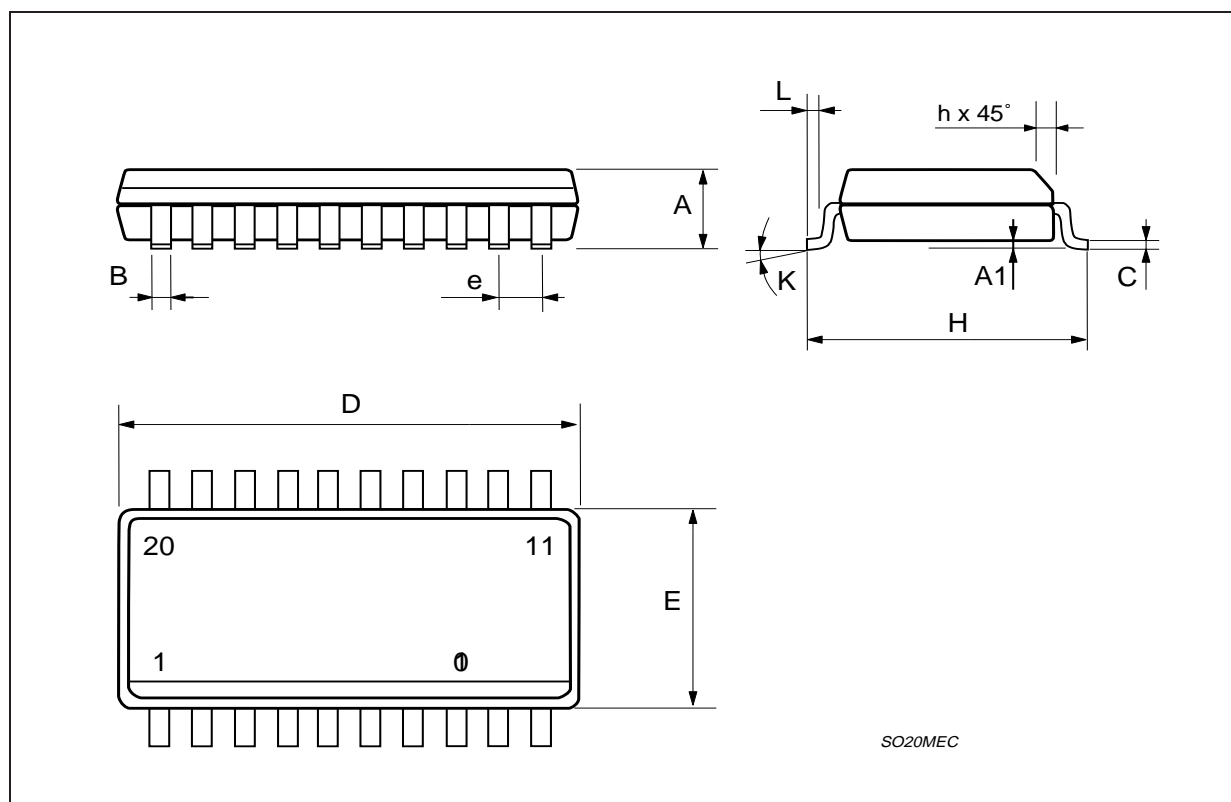


DIM.	mm			inch		
	MIN.	TYP.	MAX.	MIN.	TYP.	MAX.
A	2.35		2.65	0.093		0.104
A1	0.1		0.3	0.004		0.012
B	0.33		0.51	0.013		0.020
C	0.23		0.32	0.009		0.013
D	12.6		13	0.496		0.512
E	7.4		7.6	0.291		0.299
e		1.27			0.050	
H	10		10.65	0.394		0.419
h	0.25		0.75	0.010		0.030
L	0.4		1.27	0.016		0.050
K	0° (min.)8° (max.)					

OUTLINE AND MECHANICAL DATA



SO20



Information furnished is believed to be accurate and reliable. However, STMicroelectronics assumes no responsibility for the consequences of use of such information nor for any infringement of patents or other rights of third parties which may result from its use. No license is granted by implication or otherwise under any patent or patent rights of STMicroelectronics. Specifications mentioned in this publication are subject to change without notice. This publication supersedes and replaces all information previously supplied. STMicroelectronics products are not authorized for use as critical components in life support devices or systems without express written approval of STMicroelectronics.

The ST logo is a registered trademark of STMicroelectronics.
All other names are the property of their respective owners

© 2003 STMicroelectronics - All rights reserved

STMicroelectronics GROUP OF COMPANIES

Australia – Belgium - Brazil - Canada - China – Czech Republic - Finland - France - Germany - Hong Kong - India - Israel - Italy - Japan - Malaysia - Malta - Morocco - Singapore - Spain - Sweden - Switzerland - United Kingdom - United States

www.st.com