

High-Voltage Protection T/R Switch with Clamp Diodes

Features

- Up to $\pm 100\text{V}$ Input Voltage Protection
- Low On-Resistance, 15Ω Typical
- Integrated Clamp Diodes
- Fast Switching Speed
- Four Electrically Isolated Channels
- No External Supplies Needed

Applications

- Medical Ultrasound Imaging
- Non-Destructive Testing Applications
- Fast Resettable Fuses
- High-Side Switches
- Data Acquisition

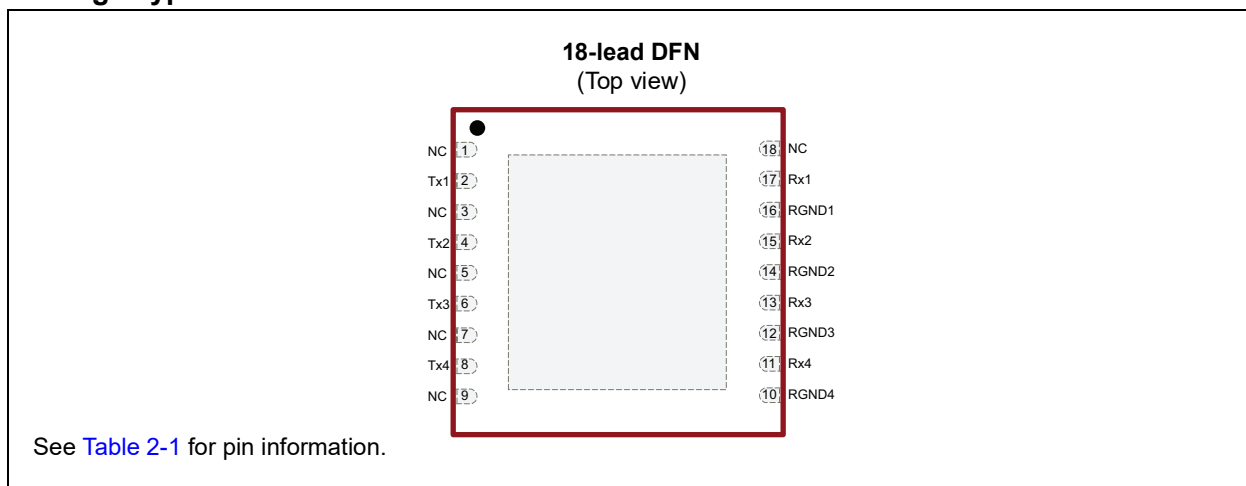
General Description

The MD0101 is a four-channel high-voltage current-limiting protection device. It is designed to protect a low-noise receiver from high-voltage transmit pulses in ultrasound applications and is commonly referred to as a T/R (transmit-and-receive) switch. Each channel has three terminals: TX, RX, and R_{GND} . The analog switch terminals are TX and RX. RX has integrated clamping diodes to R_{GND} to protect the receiver against high voltages. The output voltages will be clamped by the anti-parallel diodes to R_{GND} at about $\pm 0.6\text{V}$.

The MD0101 can be considered as a normally closed switch with a typical switch resistance of 15Ω , allowing small signals to pass. Once the voltage drop across the switch exceeds a nominal value of $\pm 1\text{V}$, the device turns off. In the OFF state, the MD0101 can withstand up to $\pm 100\text{V}$ across its terminals. A small amount of current ($200\ \mu\text{A}$, typically) is allowed to flow through.

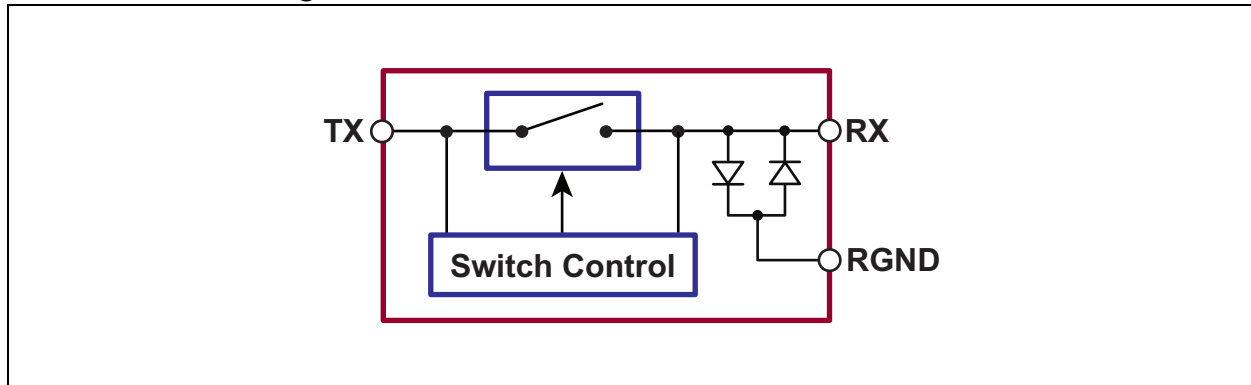
The MD0101 is not limited to just ultrasound applications. It can also be used as resettable fuses to protect power lines, for output short-circuit protection, and for protection of data acquisition instruments. The MD0101 is available in an 18-lead, $5 \times 5\ \text{mm}$ DFN package.

Package Type

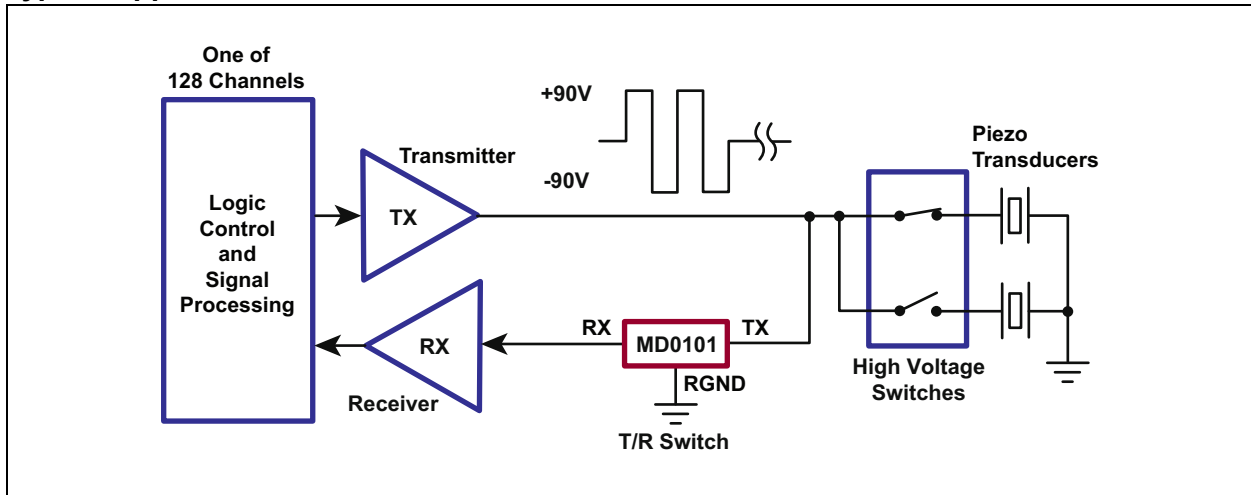


MD0101

Functional Block Diagram



Typical Application Circuit



MD0101

1.0 ELECTRICAL CHARACTERISTICS

Absolute Maximum Ratings†

Differential Voltage, V_{TX-RX}	0V to +110V
Maximum Junction Temperature, T_J	+125°C
Storage Temperature, T_S	-65°C to +150°C
Power Dissipation:	
18-lead DFN (Note 1).....	2.5W
ESD Rating (Note 2).....	ESD sensitive

† **Notice:** Stresses above those listed under “Absolute Maximum Ratings” may cause permanent damage to the device. This is a stress rating only, and functional operation of the device at those or any other conditions above those indicated in the operational sections of this specification is not intended. Exposure to maximum rating conditions for extended periods may affect device reliability.

- Note 1:** Mounted on an FR4 board, 25 mm x 25 mm x 1.57 mm
Note 2: Device is ESD sensitive. Handling precautions are recommended.

DC ELECTRICAL CHARACTERISTICS

Electrical Specifications: $T_A = 25^\circ\text{C}$ unless otherwise specified.

Parameter	Sym.	Min.	Typ.	Max.	Unit	Conditions
Maximum Differential Input Voltage from TX to RX	V_{TX-RX}	±100	—	—	V	$I_{TX-RX} = \pm 500 \mu\text{A}$
Switch-On Resistance from TX to RX	R_{SW}	—	15	—	Ω	$I_{TX-RX} = \pm 5 \text{ mA}$
V_{TX-RX} Trip Point to Turn Off	V_{TRIP}	—	±1	±2	V	
Switch Turn-Off Voltage	V_{OFF}	—	±2	—	V	$I_{TX-RX} = \pm 1 \text{ mA}$
Switch-Off Current	$I_{A-B(OFF)}$	—	±200	±300	μA	$V_{TX-RX} = \pm 100\text{V}$

AC ELECTRICAL CHARACTERISTICS

Electrical Specifications: $T_A = 25^\circ\text{C}$ unless otherwise specified.

Parameter	Sym.	Min.	Typ.	Max.	Unit	Conditions
Peak Switching Current	I_{PEAK}	—	±60	—	mA	
Turn-Off Time	T_{OFF}	—	—	20	ns	
Turn-On Time	T_{ON}	—	—	20	ns	
Switch-On Capacitance from TX to RX	$C_{TX(ON)}$	—	15	—	pF	SW = ON
Switch-Off Capacitance from TX to RX	$C_{TX(OFF)}$	—	9	—	pF	$V_{TX-RX} = 25\text{V}$
Small Signal Bandwidth	BW	—	100	—	MHz	$R_{LOAD} = 50\Omega$
Diode Forward Voltage Drop	V_{RX}	—	±1.6	—	V	$I_{RX} = \pm 200 \text{ mA}$, $R_{GND} = 0\text{V}$, TX = Open
RX Capacitance to RGND	CD	—	20	—	pF	$R_{GND} = 0\text{V}$, TX = Open

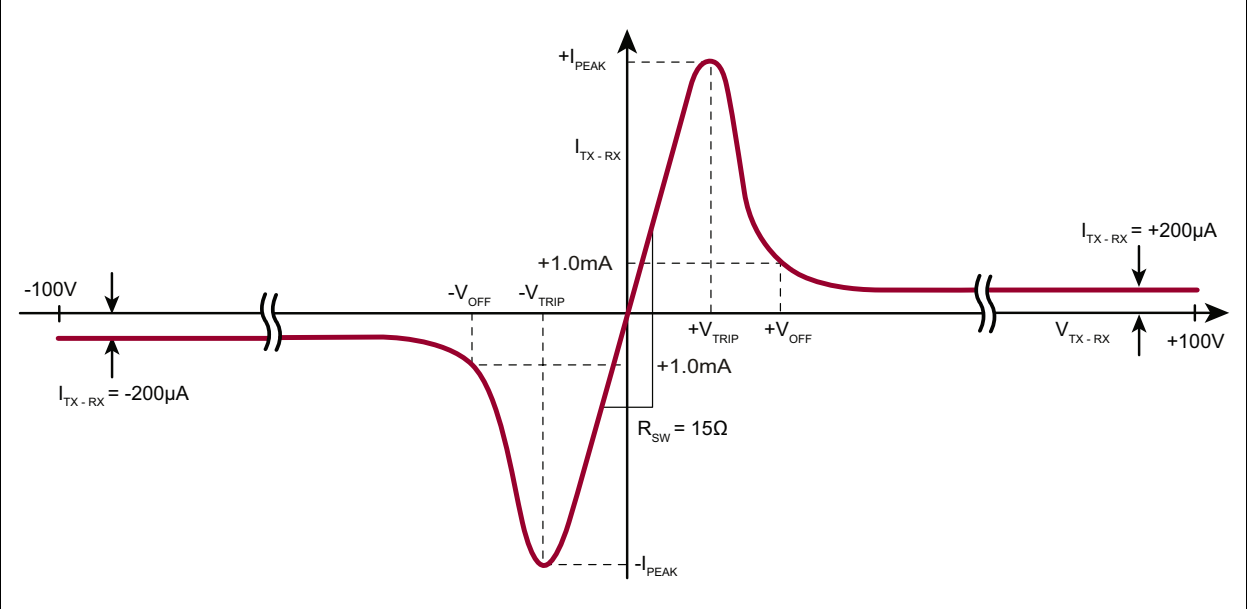
TEMPERATURE SPECIFICATIONS

Parameter	Sym.	Min.	Typ.	Max.	Unit	Conditions
TEMPERATURE RANGE						
Operating Junction Temperature	T_J	-40	—	+125	°C	
Storage Temperature	T_S	-65	—	+150	°C	
PACKAGE THERMAL RESISTANCE						
18-lead DFN	θ_{JA}	—	40	—	°C/W	Note 1

Note 1: 1 oz. 4-layer 3" x 4" PCB with thermal pad and thermal via array

MD0101

Typical I-V Characteristics



2.0 PIN DESCRIPTION

Functional descriptions for the pins are listed in [Table 2-1](#). See [Package Type](#) for the location of pins.

TABLE 2-1: PIN FUNCTION TABLE

Pin Number	Pin Name	Description
1	NC	No internal connection
2	TX1	Transmitter side of Transmit/Receive Switch 1
3	NC	No internal connection
4	TX2	Transmitter side of Transmit/Receive Switch 2
5	NC	No internal connection
6	TX3	Transmitter side of Transmit/Receive Switch 3
7	NC	No internal connection
8	TX4	Transmitter side of Transmit/Receive Switch 4
9	NC	No internal connection
10	RGND4	Clamp diode ground for Transmit/Receive Switch 4
11	RX4	Receiver side for Transmit/Receive Switch 4
12	RGND3	Clamp diode ground for Transmit/Receive Switch 3
13	RX3	Receiver side for Transmit/Receive Switch 3
14	RGND2	Clamp diode ground for Transmit/Receive Switch 2
15	RX2	Receiver side for Transmit/Receive Switch 2
16	RGND1	Clamp diode ground for Transmit/Receive Switch 1
17	RX1	Receiver side for Transmit/Receive Switch 1
18	NC	No internal connection
Center Tab		Connect to ground

3.0 DETAILED DESCRIPTION

The MD0101 can be considered a normally closed switch controlled by a control circuit. (See [Functional Block Diagram](#).) The control circuit monitors the voltage drop across Terminals TX and RX. If the voltage difference is greater than $\pm 1V$, the T/R switch opens. Once in the Open state, there is a small amount of current flowing through the T/R switch (200 μA) to detect if the high voltage is still present. The T/R switch does not close until the voltage across Terminals TX and RX drops below $\pm 2V$. Connecting the RGND to ground allows the initial peak current (about 60 mA) to flow to GND through the switch and the clamp diodes. The clamp diode I-V Curve is shown in [Figure 3-8](#). If external diodes are used, the RGND pin can be connected to the corresponding RX pin or left floating. The external diodes can then be connected between RX and GND.

3.1 On Resistance

When the voltage across Terminals TX and RX is within $\pm 2V$, the switch is in Receive mode and the R_{ON} is typically 15 Ω . Once the voltage across Terminals TX and RX is greater than $\pm 2V$, the switch changes to Transmit mode and prevents high-voltage pulses from passing through to the receiver.

3.2 Switch Capacitance

The typical switch-on capacitance, $C_{SW(ON)}$, is 21 pF. This is measured from TX to RX when the switch is turned on.

The switch-off capacitance is a function of the voltage across the T/R switch. The $C_{TX(OFF)}$ is about 11 pF to 6.5 pF for 10V to 90V of transmit voltage. Refer to [Figure 3-1](#) for the C-V curve of $C_{TX(OFF)}$.

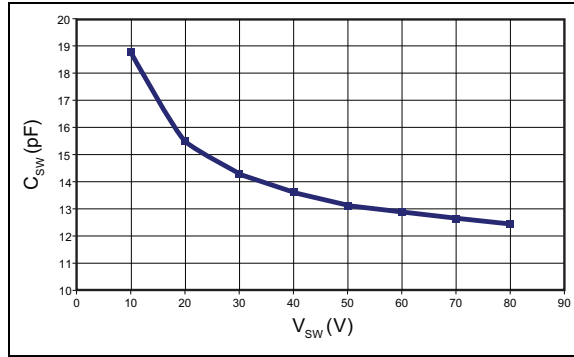


FIGURE 3-1: C_{TX-RX} vs. V_{TX-RX} .

3.3 T_{ON} and T_{OFF} Time

The T_{ON} and T_{OFF} of MD0101 are less than 20 ns, which provides a quick transition between Transmit and Receive modes. T_{ON} and T_{OFF} times are proportional to the rise and fall times of the transmit pulses. Setups used to measure T_{OFF} and T_{ON} are illustrated in [Figure 3-2](#) and [Figure 3-5](#), respectively.

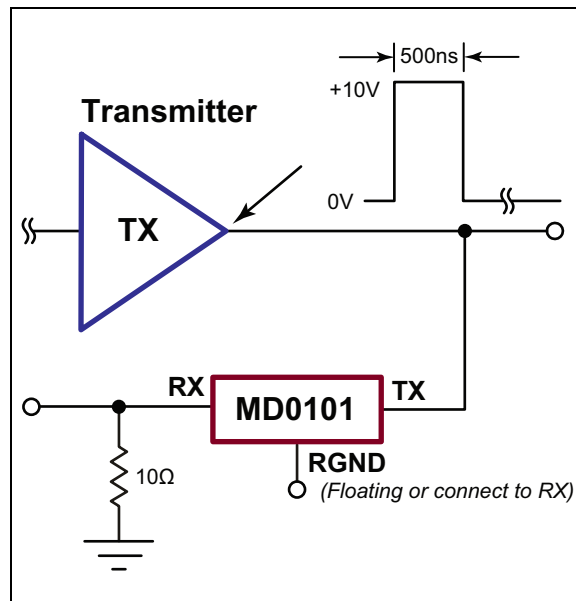


FIGURE 3-2: Test Setup for T_{OFF} .

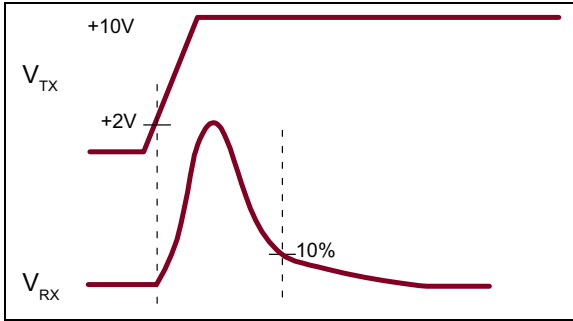


FIGURE 3-3: T_{OFF} Timing Diagram.

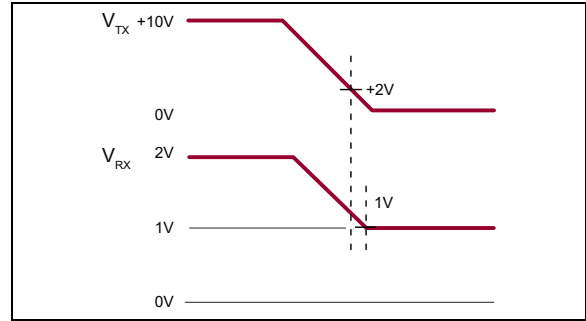


FIGURE 3-6: T_{ON} Timing Diagram.

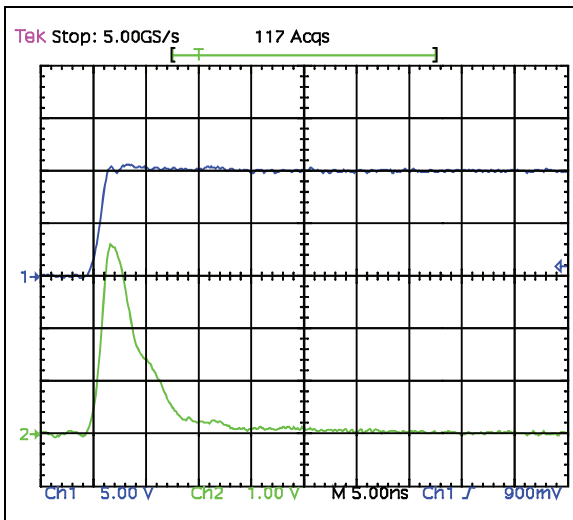


FIGURE 3-4: T_{OFF} at $V_{TX} = 10V$.

Figure 3-4 shows the actual waveform and measurement of the T_{OFF} . T_{OFF} is measured from 2V of the V_{TX} to 10% of the V_{RX} .

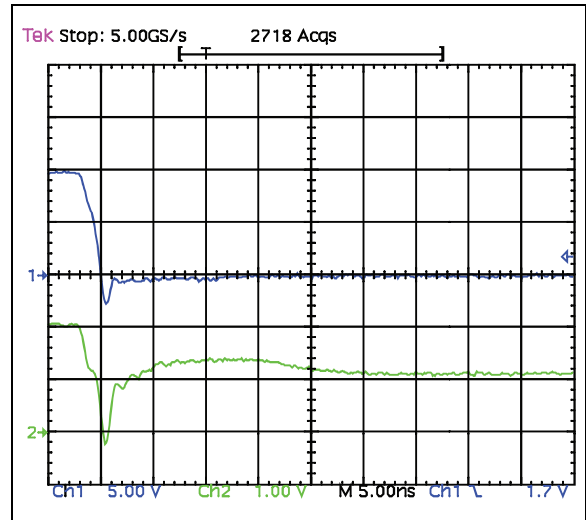


FIGURE 3-7: T_{ON} at $V_{TX} = 10V$.

Figure 3-7 illustrates the actual waveform and measurement of the T_{ON} . The T_{ON} is measured from 2V of the V_{TX} to 1V of the V_{RX} .

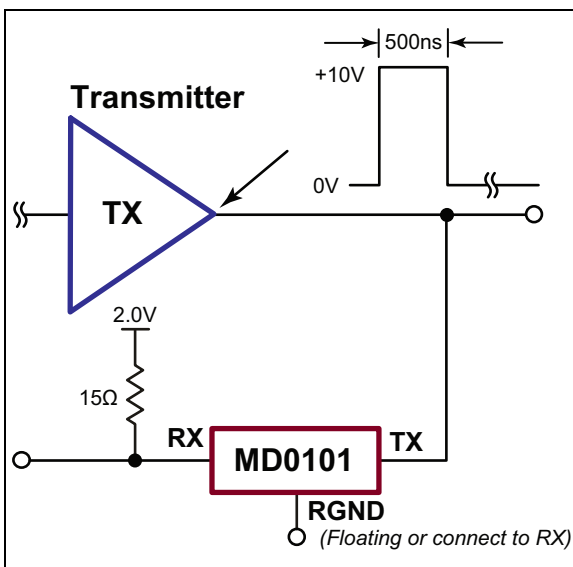


FIGURE 3-5: Test Setup for T_{ON} .

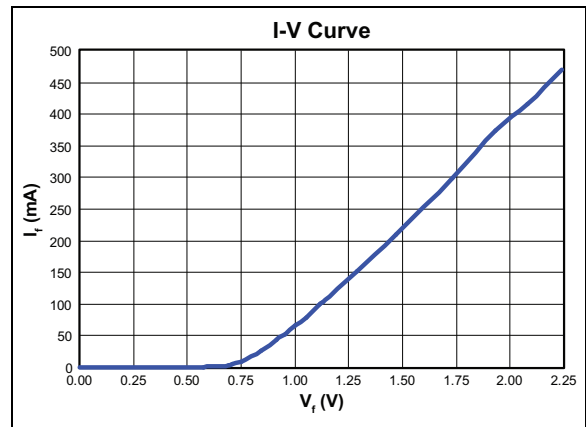


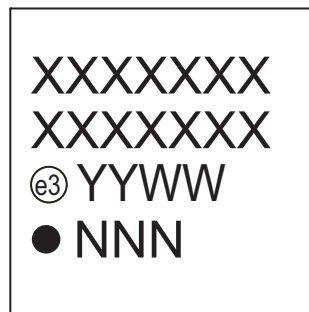
FIGURE 3-8: RX Clamp Diodes to RGND.

MD0101

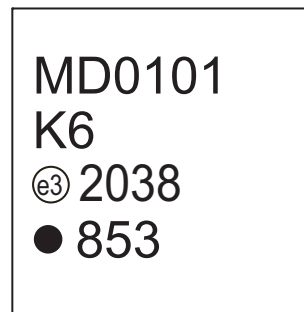
4.0 PACKAGING INFORMATION

4.1 Package Marking Information

18-lead DFN

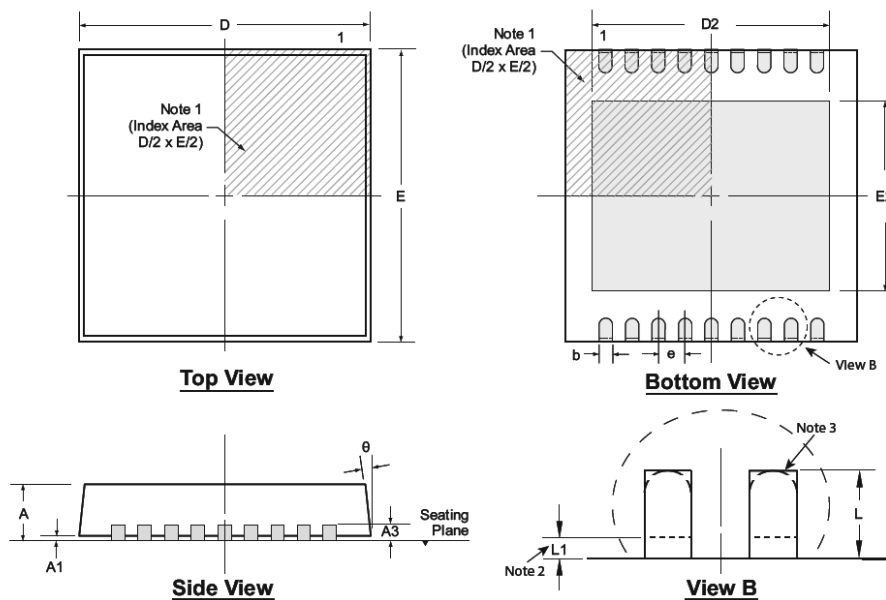


Example



Legend:	XX...X	Product Code or Customer-specific information
	Y	Year code (last digit of calendar year)
	YY	Year code (last 2 digits of calendar year)
	WW	Week code (week of January 1 is week '01')
	NNN	Alphanumeric traceability code
	Ⓔ	Pb-free JEDEC [®] designator for Matte Tin (Sn)
	*	This package is Pb-free. The Pb-free JEDEC designator (Ⓔ) can be found on the outer packaging for this package.
Note:	In the event the full Microchip part number cannot be marked on one line, it will be carried over to the next line, thus limiting the number of available characters for product code or customer-specific information. Package may or not include the corporate logo.	

18-Lead DFN Package Outline (K6) 5.00x5.00mm body, 1.00mm height (max), 0.50mm pitch



Note: For the most current package drawings, see the Microchip Packaging Specification at www.microchip.com/packaging.

Notes:

1. A Pin 1 identifier must be located in the index area indicated. The Pin 1 identifier can be: a molded mark/identifier, an embedded metal marker, or a printed indicator.
2. Depending on the method of manufacturing, a maximum of 0.15mm pullback (L1) may be present.
3. The inner tip of the lead may be either rounded or square.

Symbol	A	A1	A3	b	D	D2	E	E2	e	L	L1	θ	
Dimension (mm)	MIN	0.80	0.00	0.20 REF	0.18	4.85*	4.20 [†]	4.85*	3.50 [†]	0.50 BSC	0.30 [†]	0.00*	0°
	NOM	0.90	0.02		0.25	5.00	4.35 [†]	5.00	3.65 [†]		0.40 [†]	-	-
	MAX	1.00	0.05		0.30	5.15*	4.45 [†]	5.15*	3.75 [†]		0.50 [†]	0.15	14°

JEDEC Registration MO-229, Variation VJJD-2, Issue C, Aug 2003.

* This dimension is not specified in the JEDEC drawing.

[†] This dimension differs from the JEDEC drawing.

Drawings not to scale.

MD0101

NOTES:

APPENDIX A: REVISION HISTORY

Revision A (May 2020)

- Converted Supertex Doc# DSFP-MD0101 to Microchip DS20005916A
- Changed the package marking format
- Removed the 18-lead DFN (5 x 5) K6 M932 package type
- Made minor text changes throughout the document

MD0101

PRODUCT IDENTIFICATION SYSTEM

To order or obtain information, e.g., on pricing or delivery, contact your local Microchip representative or sales office.

<u>PART NO.</u>	<u>XX</u>	-	<u>X</u>	-	<u>X</u>
Device	Package Options		Environmental		Media Type
Device:	MD0101	=	High-Voltage Protection T/R Switch with Clamp Diodes		
Package:	K6	=	18-lead DFN		
Environmental:	G	=	Lead (Pb)-free/RoHS-compliant Package		
Media Type:	(blank)	=	490/Tray for a K6 Package		

Example:

a) MD0101K6-G: High-Voltage Protection T/R Switch with Clamp Diodes, 18-lead DFN, 490/Tray

Note the following details of the code protection feature on Microchip devices:

- Microchip products meet the specification contained in their particular Microchip Data Sheet.
- Microchip believes that its family of products is one of the most secure families of its kind on the market today, when used in the intended manner and under normal conditions.
- There are dishonest and possibly illegal methods used to breach the code protection feature. All of these methods, to our knowledge, require using the Microchip products in a manner outside the operating specifications contained in Microchip's Data Sheets. Most likely, the person doing so is engaged in theft of intellectual property.
- Microchip is willing to work with the customer who is concerned about the integrity of their code.
- Neither Microchip nor any other semiconductor manufacturer can guarantee the security of their code. Code protection does not mean that we are guaranteeing the product as “unbreakable.”

Code protection is constantly evolving. We at Microchip are committed to continuously improving the code protection features of our products. Attempts to break Microchip's code protection feature may be a violation of the Digital Millennium Copyright Act. If such acts allow unauthorized access to your software or other copyrighted work, you may have a right to sue for relief under that Act.

Information contained in this publication regarding device applications and the like is provided only for your convenience and may be superseded by updates. It is your responsibility to ensure that your application meets with your specifications. MICROCHIP MAKES NO REPRESENTATIONS OR WARRANTIES OF ANY KIND WHETHER EXPRESS OR IMPLIED, WRITTEN OR ORAL, STATUTORY OR OTHERWISE, RELATED TO THE INFORMATION, INCLUDING BUT NOT LIMITED TO ITS CONDITION, QUALITY, PERFORMANCE, MERCHANTABILITY OR FITNESS FOR PURPOSE. Microchip disclaims all liability arising from this information and its use. Use of Microchip devices in life support and/or safety applications is entirely at the buyer's risk, and the buyer agrees to defend, indemnify and hold harmless Microchip from any and all damages, claims, suits, or expenses resulting from such use. No licenses are conveyed, implicitly or otherwise, under any Microchip intellectual property rights unless otherwise stated.

Trademarks

The Microchip name and logo, the Microchip logo, Adaptec, AnyRate, AVR, AVR logo, AVR Freaks, BesTime, BitCloud, chipKIT, chipKIT logo, CryptoMemory, CryptoRF, dsPIC, FlashFlex, flexPWR, HELDO, IGLoo, JukeBlox, KeeLoq, Klear, LANCheck, LinkMD, maXStylus, maXTouch, MediaLB, megaAVR, Microsemi, Microsemi logo, MOST, MOST logo, MPLAB, OptoLyzer, PackeTime, PIC, picoPower, PICSTART, PIC32 logo, PolarFire, Prochip Designer, QTouch, SAM-BA, SenGenuity, SpyNIC, SST, SST Logo, SuperFlash, Symmetricom, SyncServer, Tachyon, TempTrackr, TimeSource, tinyAVR, UNI/O, Vectron, and XMEGA are registered trademarks of Microchip Technology Incorporated in the U.S.A. and other countries.

APT, ClockWorks, The Embedded Control Solutions Company, EtherSynch, FlashTec, Hyper Speed Control, HyperLight Load, IntelliMOS, Libero, motorBench, mTouch, Powermite 3, Precision Edge, ProASIC, ProASIC Plus, ProASIC Plus logo, Quiet-Wire, SmartFusion, SyncWorld, Temux, TimeCesium, TimeHub, TimePictra, TimeProvider, Vite, WinPath, and ZL are registered trademarks of Microchip Technology Incorporated in the U.S.A.

Adjacent Key Suppression, AKS, Analog-for-the-Digital Age, Any Capacitor, AnyIn, AnyOut, BlueSky, BodyCom, CodeGuard, CryptoAuthentication, CryptoAutomotive, CryptoCompanion, CryptoController, dsPICDEM, dsPICDEM.net, Dynamic Average Matching, DAM, ECAN, EtherGREEN, In-Circuit Serial Programming, ICSP, INICnet, Inter-Chip Connectivity, JitterBlocker, KlearNet, KlearNet logo, memBrain, Mindi, MiWi, MPASM, MPF, MPLAB Certified logo, MPLIB, MPLINK, MultiTRAK, NetDetach, Omniscient Code Generation, PICDEM, PICDEM.net, PICkit, PICtail, PowerSmart, PureSilicon, QMatrix, REAL ICE, Ripple Blocker, SAM-ICE, Serial Quad I/O, SMART-I.S., SQR, SuperSwitcher, SuperSwitcher II, Total Endurance, TSHARC, USBCheck, VariSense, ViewSpan, WiperLock, Wireless DNA, and ZENA are trademarks of Microchip Technology Incorporated in the U.S.A. and other countries.

SQTP is a service mark of Microchip Technology Incorporated in the U.S.A.

The Adaptec logo, Frequency on Demand, Silicon Storage Technology, and Symmcom are registered trademarks of Microchip Technology Inc. in other countries.

GestIC is a registered trademark of Microchip Technology Germany II GmbH & Co. KG, a subsidiary of Microchip Technology Inc., in other countries.

All other trademarks mentioned herein are property of their respective companies.

© 2020, Microchip Technology Incorporated, All Rights Reserved.

ISBN: 978-1-5224-6158-6

For information regarding Microchip's Quality Management Systems, please visit www.microchip.com/quality.



MICROCHIP

Worldwide Sales and Service

AMERICAS

Corporate Office
2355 West Chandler Blvd.
Chandler, AZ 85224-6199
Tel: 480-792-7200
Fax: 480-792-7277
Technical Support:
<http://www.microchip.com/support>
Web Address:
www.microchip.com

Atlanta
Duluth, GA
Tel: 678-957-9614
Fax: 678-957-1455

Austin, TX
Tel: 512-257-3370

Boston
Westborough, MA
Tel: 774-760-0087
Fax: 774-760-0088

Chicago
Itasca, IL
Tel: 630-285-0071
Fax: 630-285-0075

Dallas
Addison, TX
Tel: 972-818-7423
Fax: 972-818-2924

Detroit
Novi, MI
Tel: 248-848-4000

Houston, TX
Tel: 281-894-5983

Indianapolis
Noblesville, IN
Tel: 317-773-8323
Fax: 317-773-5453
Tel: 317-536-2380

Los Angeles
Mission Viejo, CA
Tel: 949-462-9523
Fax: 949-462-9608
Tel: 951-273-7800

Raleigh, NC
Tel: 919-844-7510

New York, NY
Tel: 631-435-6000

San Jose, CA
Tel: 408-735-9110
Tel: 408-436-4270

Canada - Toronto
Tel: 905-695-1980
Fax: 905-695-2078

ASIA/PACIFIC

Australia - Sydney
Tel: 61-2-9868-6733

China - Beijing
Tel: 86-10-8569-7000

China - Chengdu
Tel: 86-28-8665-5511

China - Chongqing
Tel: 86-23-8980-9588

China - Dongguan
Tel: 86-769-8702-9880

China - Guangzhou
Tel: 86-20-8755-8029

China - Hangzhou
Tel: 86-571-8792-8115

China - Hong Kong SAR
Tel: 852-2943-5100

China - Nanjing
Tel: 86-25-8473-2460

China - Qingdao
Tel: 86-532-8502-7355

China - Shanghai
Tel: 86-21-3326-8000

China - Shenyang
Tel: 86-24-2334-2829

China - Shenzhen
Tel: 86-755-8864-2200

China - Suzhou
Tel: 86-186-6233-1526

China - Wuhan
Tel: 86-27-5980-5300

China - Xian
Tel: 86-29-8833-7252

China - Xiamen
Tel: 86-592-2388138

China - Zhuhai
Tel: 86-756-3210040

ASIA/PACIFIC

India - Bangalore
Tel: 91-80-3090-4444

India - New Delhi
Tel: 91-11-4160-8631

India - Pune
Tel: 91-20-4121-0141

Japan - Osaka
Tel: 81-6-6152-7160

Japan - Tokyo
Tel: 81-3-6880-3770

Korea - Daegu
Tel: 82-53-744-4301

Korea - Seoul
Tel: 82-2-554-7200

Malaysia - Kuala Lumpur
Tel: 60-3-7651-7906

Malaysia - Penang
Tel: 60-4-227-8870

Philippines - Manila
Tel: 63-2-634-9065

Singapore
Tel: 65-6334-8870

Taiwan - Hsin Chu
Tel: 886-3-577-8366

Taiwan - Kaohsiung
Tel: 886-7-213-7830

Taiwan - Taipei
Tel: 886-2-2508-8600

Thailand - Bangkok
Tel: 66-2-694-1351

Vietnam - Ho Chi Minh
Tel: 84-28-5448-2100

EUROPE

Austria - Wels
Tel: 43-7242-2244-39
Fax: 43-7242-2244-393

Denmark - Copenhagen
Tel: 45-4485-5910
Fax: 45-4485-2829

Finland - Espoo
Tel: 358-9-4520-820

France - Paris
Tel: 33-1-69-53-63-20
Fax: 33-1-69-30-90-79

Germany - Garching
Tel: 49-8931-9700

Germany - Haan
Tel: 49-2129-3766400

Germany - Heilbronn
Tel: 49-7131-72400

Germany - Karlsruhe
Tel: 49-721-625370

Germany - Munich
Tel: 49-89-627-144-0
Fax: 49-89-627-144-44

Germany - Rosenheim
Tel: 49-8031-354-560

Israel - Ra'anana
Tel: 972-9-744-7705

Italy - Milan
Tel: 39-0331-742611
Fax: 39-0331-466781

Italy - Padova
Tel: 39-049-7625286

Netherlands - Drunen
Tel: 31-416-690399
Fax: 31-416-690340

Norway - Trondheim
Tel: 47-7288-4388

Poland - Warsaw
Tel: 48-22-3325737

Romania - Bucharest
Tel: 40-21-407-87-50

Spain - Madrid
Tel: 34-91-708-08-90
Fax: 34-91-708-08-91

Sweden - Gothenberg
Tel: 46-31-704-60-40

Sweden - Stockholm
Tel: 46-8-5090-4654

UK - Wokingham
Tel: 44-118-921-5800
Fax: 44-118-921-5820