

# FSA644 — 2:1 MIPI D-PHY (1.5Gbps) 4-Data Lane Switch

## Features

Switch Type	SPDT (10x)
<b>Signal Types</b>	<b>MIPI, D-PHY</b>
V <sub>CC</sub>	1.65 to 4.5 V
Input Signals	0 to V <sub>CC</sub>
R <sub>ON</sub>	6 Ω Typical HS MIPI 8 Ω Typical LP MIPI
ΔR <sub>ON</sub>	0.6 Ω Typical HS & LP MIPI
R <sub>ON_FLAT</sub>	0.3 Ω Typical
I <sub>CCZ</sub>	0.5 μA Maximum
I <sub>CC</sub>	32 μA Maximum
O <sub>IRR</sub>	-40 dB Typical
X <sub>TALK</sub>	-25 dB Typical
Bandwidth	1100 MHz Minimum
Channel-to-Channel Skew	6 ps Typical
C <sub>ON</sub>	5.2 pF
Operating Temperature	-40 to +85°C
Package	36-Ball WLCSP
FSA644UCX Top Mark	M7
Ordering Information	FSA644UCX
FSA644BUCX Top Mark	KM
Ordering Information	FSA644BUCX

## Description

The FSA644 is a four-data-lane, MIPI, D-PHY switch. This single-pole, double-throw (SPDT) switch is optimized for switching between two high-speed or low-power MIPI sources. The FSA644 is designed for the MIPI specification and allows connection to a CSI or DSI module.

## Applications

- Cellular Phones, Smart Phones
- Displays

## Related Resources

- FSA644 Demonstration Board

## Typical Application

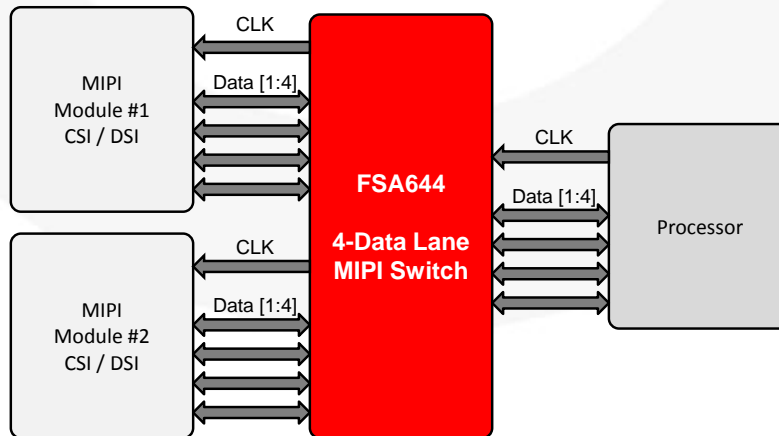


Figure 1. Mobile Phone Example

## Pin Descriptions

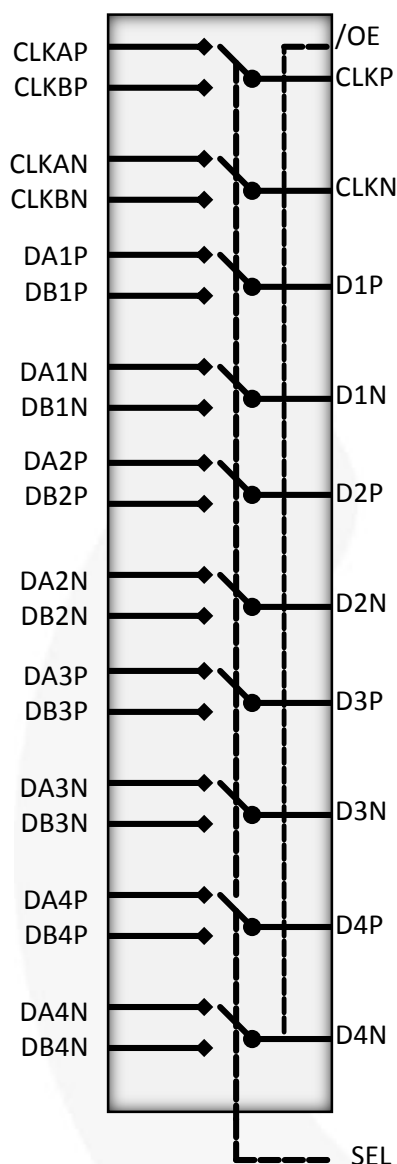


Figure 2. Analog Symbol

Pin Name	Description		
CLK <sub>P/N</sub>	Common Clock Path		
D1 <sub>P/N</sub>	Common Data Path 1		
D2 <sub>P/N</sub>	Common Data Path 2		
D3 <sub>P/N</sub>	Common Data Path 3		
D4 <sub>P/N</sub>	Common Data Path 4		
CLKA <sub>P/N</sub>	A-Side Clock Path		
DA1 <sub>P/N</sub>	A-Side Data Path 1		
DA2 <sub>P/N</sub>	A-Side Data Path 2		
DA3 <sub>P/N</sub>	A-Side Data Path 3		
DA4 <sub>P/N</sub>	A-Side Data Path 4		
CLKB <sub>P/N</sub>	B-Side Clock Path		
DB1 <sub>P/N</sub>	B-Side Data Path 1		
DB2 <sub>P/N</sub>	B-Side Data Path 2		
DB3 <sub>P/N</sub>	B-Side Data Path 3		
DB4 <sub>P/N</sub>	B-Side Data Path 4		
SEL	Control Pin	SEL=0	CLKP=CLKAP, CLKN=CLKAN, Dn(P/N)=DAn(P/N)
		SEL=1	CLKP=CLKBP, CLKN=CLKBN, Dn(P/N)=DBn(P/N)
/OE	Output Enable		
V <sub>CC</sub>	Power		
GND	Ground		
NC	No Connect		

## Pin Definitions

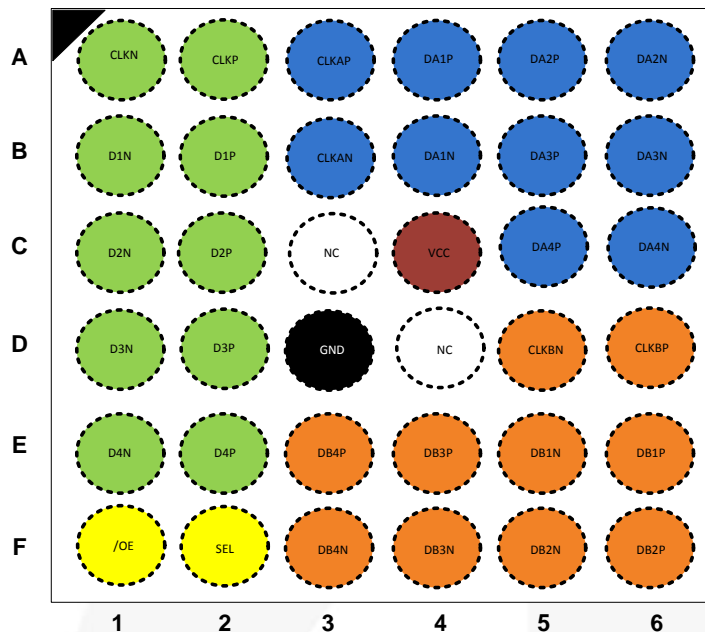


Figure 3. Top Through View

Table 1. Ball-to-Pin Mappings

Ball	Pin Name
A1	CLK <sub>N</sub>
A2	CLK <sub>P</sub>
A3	CLKA <sub>P</sub>
A4	DA1 <sub>P</sub>
A5	DA2 <sub>P</sub>
A6	DA2 <sub>N</sub>
B1	D1 <sub>N</sub>
B2	D1 <sub>P</sub>
B3	CLKA <sub>N</sub>
B4	DA1 <sub>N</sub>
B5	DA3 <sub>P</sub>
B6	DA3 <sub>N</sub>
C1	D2 <sub>N</sub>
C2	D2 <sub>P</sub>
C3	NC
C4	V <sub>CC</sub>
C5	DA4 <sub>P</sub>
C6	DA4 <sub>N</sub>
D1	D3 <sub>N</sub>
D2	D3 <sub>P</sub>
D3	GND
D4	NC
D5	CLKB <sub>N</sub>
D6	CLKB <sub>P</sub>
E1	D4 <sub>N</sub>
E2	D4 <sub>P</sub>
E3	DB4 <sub>P</sub>
E4	DB3 <sub>P</sub>
E5	DB1 <sub>N</sub>
E6	DB1 <sub>P</sub>
F1	/OE
F2	SEL
F3	DB4 <sub>N</sub>
F4	DB3 <sub>N</sub>
F5	DB2 <sub>N</sub>
F6	DB2 <sub>P</sub>

## Truth Table

SEL	/OE	Function
LOW	LOW	CLK <sub>P</sub> =CLKA <sub>P</sub> , CLK <sub>N</sub> =CLKA <sub>N</sub> , Dn(P/N)=DAn(P/N)
HIGH	LOW	CLK <sub>P</sub> =CLKB <sub>P</sub> , CLK <sub>N</sub> =CLKB <sub>N</sub> , Dn(P/N)=DBn(P/N)
X	HIGH	DAn(P/N), DBn(P/N) Data Ports High Impedance

## Absolute Maximum Ratings

Stresses exceeding the absolute maximum ratings may damage the device. The device may not function or be operable above the recommended operating conditions and stressing the parts to these levels is not recommended. In addition, extended exposure to stresses above the recommended operating conditions may affect device reliability. The absolute maximum ratings are stress ratings only.

Symbol	Parameter	Min.	Max.	Unit	
V <sub>CC</sub>	Supply Voltage	-0.50	+5.25	V	
V <sub>CNTRL</sub>	DC Input Voltage (/OE) <sup>(1)</sup>	-0.5	V <sub>CC</sub>	V	
V <sub>SW</sub>	DC Switch I/O Voltage <sup>(1)</sup>	-0.50	5.25	V	
I <sub>IK</sub>	DC Input Diode Current	-50		mA	
I <sub>OUT</sub>	DC Output Current		50	mA	
T <sub>STG</sub>	Storage Temperature	-65	+150	°C	
ESD	Human Body Model, JEDEC: JESD22-A114	All Pins		3.5	kV
		I/O to GND		3.5	
		Power to GND		8.0	
	Charged Device Model, JEDEC: JESD22-C101			1.5	
	IEC 61000-4-2 System	Contact		8.0	
		Air Gap		15.0	

### Note:

- The input and output negative ratings may be exceeded if the input and output diode current ratings are observed.

## Recommended Operating Conditions

The Recommended Operating Conditions table defines the conditions for actual device operation. Recommended operating conditions are specified to ensure optimal performance to the datasheet specifications. Fairchild does not recommend exceeding them or designing to Absolute Maximum Ratings.

Symbol	Parameter	Min.	Max.	Unit	
V <sub>CC</sub>	Supply Voltage	1.65	4.50	V	
V <sub>CNTRL</sub>	Control Input Voltage (S, /OE) <sup>(2)</sup>	0	V <sub>CC</sub>	V	
V <sub>SW</sub>	Switch I/O Voltage (CLKn, CLKAn, CLKBn, Dn, DAn, DBn)	HS Mode	0.1	0.3	V
		LP Mode	0	1.2	
T <sub>A</sub>	Operating Temperature	-40	+85	°C	

### Note:

- The control input must be held HIGH or LOW; it must not float.

## DC Electrical Characteristics

All typical values are at  $T_A=25^\circ\text{C}$  unless otherwise specified.

Symbol	Parameter	Conditions	$V_{CC}$ (V)	$T_A=-40^\circ\text{C}$ to $+85^\circ\text{C}$			Unit
				Min.	Typ.	Max.	
$V_{IK}$	Clamp Diode Voltage	$I_{IN}=-18\text{ mA}$	2.8			-1.2	V
$V_{IH}$	Input Voltage High		1.65 to 4.50	1.0			V
$V_{IL}$	Input Voltage Low		1.65 to 4.50			0.4	V
$I_{IN}$	Control Input Leakage (SEL,/OE)	$V_{SW}=0$ to $V_{CC}$	1.65 to 4.50	-100		100	nA
$I_{NO(OFF)}, I_{NC(OFF)}$	Off Leakage Current of Port CLKAn, DAn, CLKBn, DBn	CLKn, Dn=0.3 V; $V_{CC}=0.3\text{ V}$ ; CLKAn, DAn, or CLKBn; DBn= $V_{CC}-0.3\text{ V}$ , 0.3 V, or Floating; /OE=0 V	1.65 to 4.50	-100		100	nA
$I_{A(ON)}$	On Leakage Current of Common Ports (CLKn, Dn)	CLKn, Dn = 0.3 V; $V_{CC}=0.3\text{ V}$ ; CLKAn, DAn, or CLKBn; DBn= $V_{CC}-0.3\text{ V}$ , 0.3 V, or Floating; /OE=0 V	1.65 to 4.50	-100		100	nA
$I_{OFF}$	Power-Off Leakage Current	CLKn, Dn, or CLKAn; DAn or CLKBn, DBn; $V_{IN}=0\text{ V}$ to 4.5 V; $V_{CC}=0\text{ V}$	0	-100		100	nA
$I_{OZ}$	Off-State Leakage	$0 \leq \text{CLKn, Dn, CLKAn, CLKBn, DAn, DBn} \leq 3.6\text{ V}$ , /OE=High	4.5	-100		100	nA
$R_{ON\_MIPI\_HS}$	Switch On Resistance for HS MIPI Applications <sup>(3)</sup>	$I_{ON}=-10\text{ mA}$ , /OE=0 V, SEL= $V_{CC}$ or 0V, CLK <sub>A, B</sub> , DBn or DAN=0.1, 0.2, 0.3	1.8		7	12	$\Omega$
			2.5		6	9	
			3.6		6	9	
			4.5		6	9	
$R_{ON\_MIPI\_LP}$	Switch On Resistance for LP MIPI Applications <sup>(3)</sup>	$I_{ON}=-10\text{ mA}$ , /OE=0 V, SEL= $V_{CC}$ or 0V, CLK <sub>A, B</sub> , DBn or DAN=0, 0.6, 1.2 V	1.8		6.7	12.0	$\Omega$
			2.5		6.4	9.0	
			3.6		6.2	9.0	
			4.5		6.0	9.0	
$\Delta R_{ON\_MIPI\_HS}$	On Resistance Matching Between HS MIPI Channels <sup>(4)</sup>	$I_{ON}=-10\text{ mA}$ , /OE=0 V, SEL= $V_{CC}$ or 0 V, CLK <sub>A, B</sub> , DBn or DAN=0.1, 0.2, 0.3	1.8		0.8		$\Omega$
			2.5		0.6		
			3.6		0.5		
			4.5		0.5		
$\Delta R_{ON\_MIPI\_LP}$	On Resistance Matching Between LP MIPI Channels <sup>(4)</sup>	$I_{ON}=-10\text{ mA}$ , /OE=0 V, SEL= $V_{CC}$ or 0 V, CLK <sub>A, B</sub> , DBn or DAN= 0.0, 0.6, 1.2 V	1.8		0.8		$\Omega$
			2.5		0.6		
			3.6		0.5		
			4.5		0.5		
$R_{ON\_FLAT\_MIPI\_HS}$	On Resistance Flatness for HS MIPI Signals <sup>(4)</sup>	$I_{ON}=-10\text{ mA}$ , /OE=0 V, SEL= $V_{CC}$ or 0 V, CLK <sub>A, B</sub> , DBn or DAN=0.1, 0.2, 0.3	1.8		1.5		$\Omega$
			2.5		0.5		
			3.6		0.3		
			4.5		0.2		
$R_{ON\_FLAT\_MIPI\_LP}$	On Resistance Flatness for LP MIPI Signals <sup>(4)</sup>	$I_{ON}=-10\text{ mA}$ , /OE=0 V, SEL= $V_{CC}$ or 0 V, CLK <sub>A, B</sub> , DBn or DAN=0.0, 0.6, 1.2 V	1.8		35		$\Omega$
			2.5		2		
			3.6		1		
			4.5		0.5		

Continued on the following page...

## DC Electrical Characteristics

All typical values are at  $T_A=25^\circ\text{C}$  unless otherwise specified.

Symbol	Parameter	Conditions	$V_{CC}$ (V)	$T_A=-40^\circ\text{C}$ to $+85^\circ\text{C}$			Unit
				Min.	Typ.	Max.	
$I_{CCZ}$	Quiescent Hi-Z Supply Current	$V_{IN}=0$ or $V_{CC}$ , $I_{OUT}=0$	4.5			0.5	$\mu\text{A}$
$I_{CC}$	Quiescent Supply Current	$V_{IN}=0$ or $V_{CC}$ , $I_{OUT}=0$	2.5 to 4.5			32	$\mu\text{A}$
			1.8			22	
$I_{CCT}$	Increase in $I_{CC}$ Current Per Control Voltage and $V_{CC}$	$V_{SEL/OE}=1.65\text{ V}$	4.5			4	$\mu\text{A}$
			2.5			0.1	

### Notes:

- Measured by the voltage drop between A and B pins at the indicated current through the switch. On resistance is determined by the lower of the voltage on the two (A or B ports).
- Guaranteed by characterization.

## AC Electrical Characteristics

All typical values are for  $V_{CC}=3.3\text{V}$  at  $T_A=25^\circ\text{C}$  unless otherwise specified.

Symbol	Parameter	Conditions	$V_{CC}$ (V)	$T_A=-40^\circ\text{C}$ to $+85^\circ\text{C}$			Unit
				Min.	Typ.	Max.	
$t_{INIT}$	Initialization Time $V_{CC}$ to Output <sup>(5)</sup>	$R_L=50\ \Omega$ , $C_L=5\ \text{pF}$ , $V_{SW}=1.2\ \text{V}$	2.5 to 4.5			100	$\mu\text{s}$
			1.8			150	
$t_{EN}$	Enable Turn-On Time, /OE to Output	$R_L=50\ \Omega$ , $C_L=5\ \text{pF}$ , $V_{SW}=1.2\ \text{V}$	2.5 to 4.5		120	200	ns
			1.8		250	500	
$t_{DIS}$	Disable Turn-Off Time, /OE to Output	$R_L=50\ \Omega$ , $C_L=5\ \text{pF}$ , $V_{SW}=1.2\ \text{V}$	2.5 to 4.5		25	50	ns
			1.8		50	90	
$t_{ON}$	Turn-On Time, SEL to Output	$R_L=50\ \Omega$ , $C_L=5\ \text{pF}$ , $V_{SW}=1.2\ \text{V}$	2.5 to 4.5		50	100	ns
			1.8		75	125	
$t_{OFF}$	Turn-Off Time SEL to Output	$R_L=50\ \Omega$ , $C_L=5\ \text{pF}$ , $V_{SW}=1.2\ \text{V}$	2.5 to 4.5		50	200	ns
			1.8		200	325	
$t_{BBM}$	Break-Before-Make Time	$R_L=50\ \Omega$ , $C_L=5\ \text{pF}$ , $V_{SW}=1.2\ \text{V}$		10	50		ns
$O_{IRR}$	Off Isolation for MIPI <sup>(5)</sup>	$R_L=50\ \Omega$ , $f=750\ \text{MHz}$ , /OE= $V_{CC}$ $V_{SW}=-1\ \text{dBm}$ (200 mV <sub>PP</sub> )	1.65 to 4.5		-18		dB
$X_{TALK}$	Crosstalk for MIPI <sup>(5)</sup>	$R_L=50\ \Omega$ , $f=750\ \text{MHz}$ , $V_{SW}=-1\ \text{dBm}$ (200 mV <sub>PP</sub> )	1.65 to 4.5		-25		dB
BW	-3db Bandwidth <sup>(5)</sup>	$R_L=50\ \Omega$ , $C_L=0\ \text{pF}$	3.0	1100	1600		MHz
$S_{DD21}$	Differential Data Rate	Inter-operability Data Rate	3.0		1.5		Gbps

### Note:

- Guaranteed by characterization.

## High-Speed-Related AC Electrical Characteristics

Symbol	Parameter	Conditions	V <sub>CC</sub> (V)	T <sub>A</sub> =- 40°C to +85°C			Unit
				Min.	Typ.	Max.	
t <sub>SK(O)</sub>	Channel-to-Channel Single-Ended Skew <sup>(6)</sup>	TDR-Based Method (V <sub>SW</sub> =0.2 V <sub>PP</sub> , C <sub>L</sub> =C <sub>ON</sub> )	3.3		6	20	ps
t <sub>SK(P)</sub>	Skew of Opposite Transitions of the Same Output <sup>(6)</sup>	TDR-Based Method (V <sub>SW</sub> =0.2 V <sub>PP</sub> , C <sub>L</sub> =C <sub>ON</sub> )	3.3		6	20	ps

### Note:

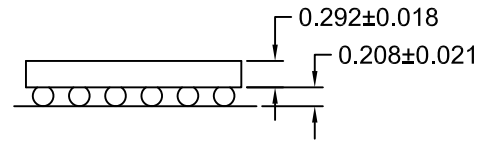
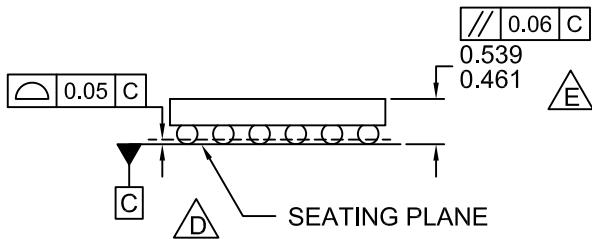
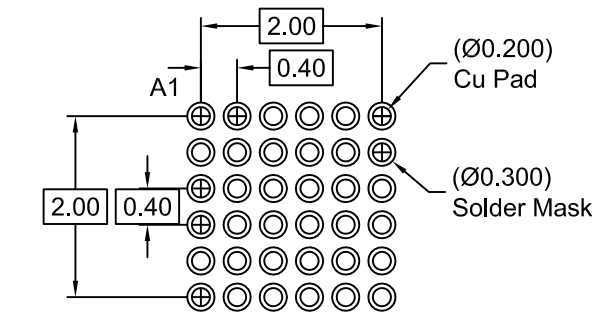
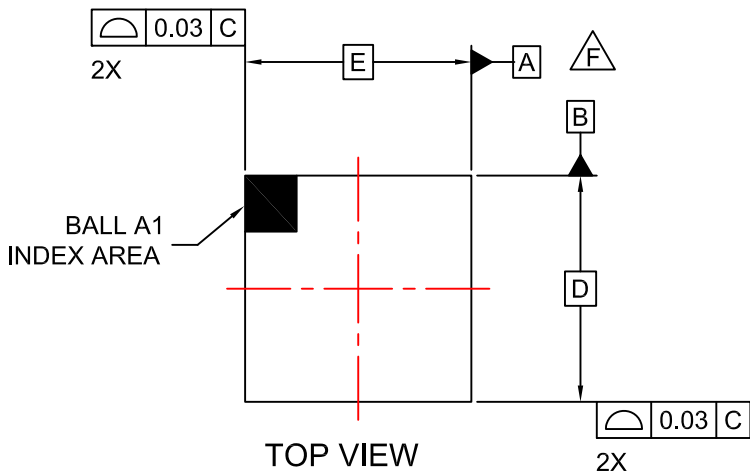
6. Guaranteed by characterization.

## Capacitance

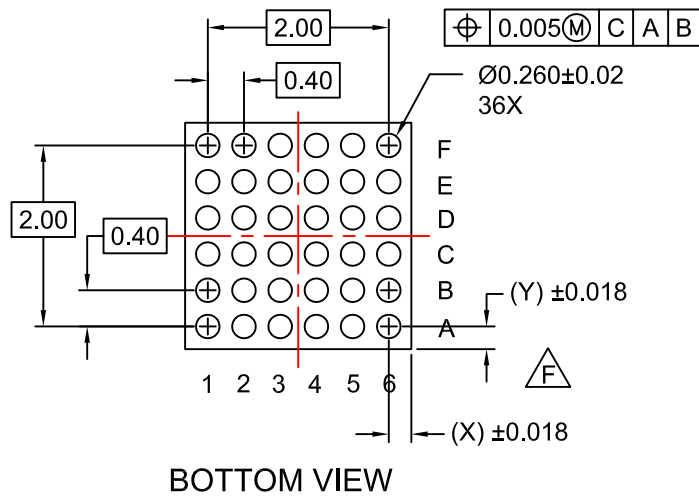
Symbol	Parameter	Conditions	T <sub>A</sub> =- 40°C to +85°C			Unit
			Min.	Typ.	Max.	
C <sub>IN</sub>	Control Pin Input Capacitance	V <sub>CC</sub> =0 V, f=1 MHz		2.1		pF
C <sub>ON</sub>	Out On Capacitance	V <sub>CC</sub> =3.3 V, /OE=0 V, f=1 MHz		5.2		
C <sub>OFF</sub>	Out Off Capacitance	V <sub>CC</sub> and /OE=3.3 V, f=1 MHz		2.0		

## Ordering Information

Part Number	Top Mark	Package	D	E	X	Y
FSA644UCX	M7	36-Ball WLCSP, Non-JEDEC 2.36 mm x 2.36 mm, 0.4 mm Pitch	2.36 mm	2.36 mm	0.18 mm	0.18 mm
FSA644BUCX	KM	36-Ball WLCSP, Non-JEDEC 2.415 mm x 2.415 mm, 0.4 mm Pitch	2.415 mm	2.415 mm	0.208 mm	0.208 mm



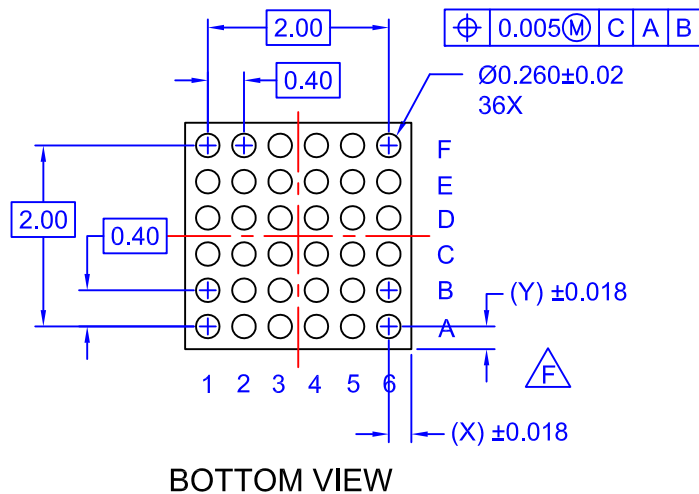
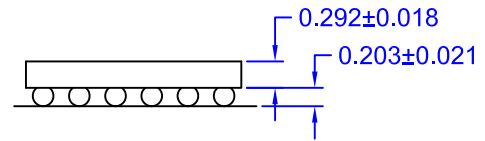
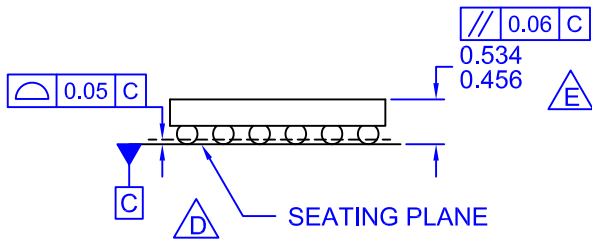
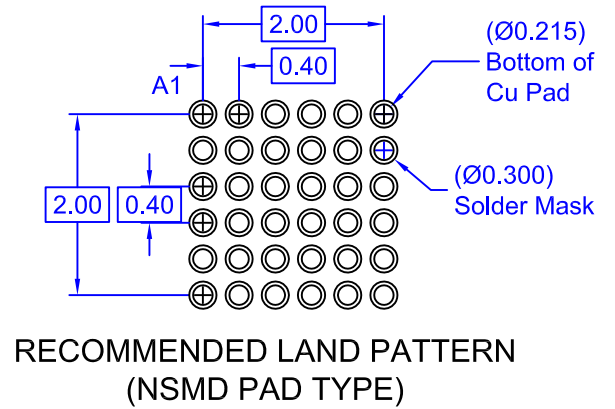
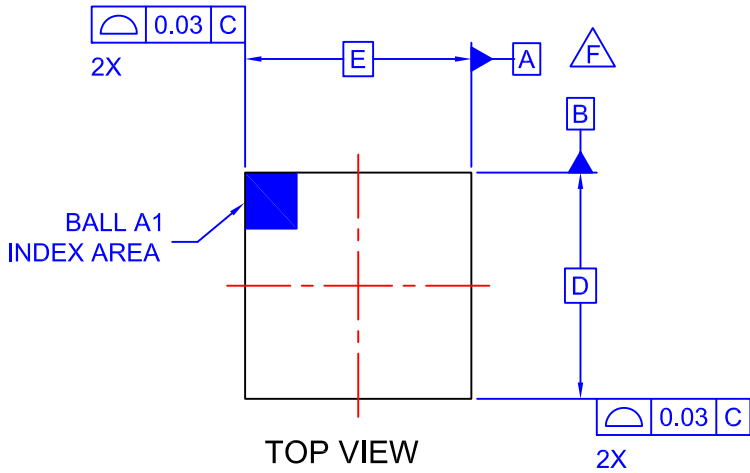
SIDE VIEWS



NOTES

- A. NO JEDEC REGISTRATION APPLIES.
- B. DIMENSIONS ARE IN MILLIMETERS.
- C. DIMENSIONS AND TOLERANCE PER ASMEY14.5M, 1994.
- D. DATUM C IS DEFINED BY THE SPHERICAL CROWNS OF THE BALLS.
- E. PACKAGE NOMINAL HEIGHT IS  $500 \pm 39$  MICRONS (461-539 MICRONS).
- F. FOR DIMENSIONS D, E, X, AND Y SEE PRODUCT DATASHEET.
- G. DRAWING FILNAME: MKT-UC036AArev1.





## NOTES

- A. NO JEDEC REGISTRATION APPLIES.
- B. DIMENSIONS ARE IN MILLIMETERS.
- C. DIMENSIONS AND TOLERANCE PER ASMEY14.5M, 2009.
- D. DATUM C IS DEFINED BY THE SPHERICAL CROWNS OF THE BALLS.
- E. PACKAGE NOMINAL HEIGHT IS  $495 \pm 39$  MICRONS (456-534 MICRONS).
- F. FOR DIMENSIONS D, E, X, AND Y SEE PRODUCT DATASHEET.
- G. DRAWING FILNAME: MKT-UC036AB REV1.





**TRADEMARKS**

The following includes registered and unregistered trademarks and service marks, owned by Fairchild Semiconductor and/or its global subsidiaries, and is not intended to be an exhaustive list of all such trademarks.

- AccuPower™
- AttitudeEngine™
- Awinda®
- AX-CAP®\*
- BitSiC™
- Build it Now™
- CorePLUS™
- CorePOWER™
- CROSSVOL™
- CTL™
- Current Transfer Logic™
- DEUXPEED®
- Dual Cool™
- EcoSPARK®
- EfficientMax™
- ESBC™
- F**™
- Fairchild®
- Fairchild Semiconductor®
- FACT Quiet Series™
- FACT®
- FastvCore™
- FETBench™
- FPS™
- F-PFS™
- FRFET®
- Global Power Resource<sup>SM</sup>
- GreenBridge™
- Green FPS™
- Green FPS™ e-Series™
- Gmax™
- GTO™
- IntelliMAX™
- ISOPLANAR™
- Making Small Speakers Sound Louder and Better™
- MegaBuck™
- MICROCOUPLER™
- MicroFET™
- MicroPak™
- MicroPak2™
- MillerDrive™
- MotionMax™
- MotionGrid®
- MTi®
- MTx®
- MVN®
- mWSaver®
- OptoHiT™
- OPTOLOGIC®
- OPTOPLANAR®
- ®
- Power Supply WebDesigner™
- PowerTrench®
- PowerXS™
- Programmable Active Droop™
- QFET®
- QS™
- Quiet Series™
- RapidConfigure™
- ™
- Saving our world, 1mW/W/kW at a time™
- SignalWise™
- SmartMax™
- SMART START™
- Solutions for Your Success™
- SPM®
- STEALTH™
- SuperFET®
- SuperSOT™-3
- SuperSOT™-6
- SuperSOT™-8
- SupreMOS®
- SyncFET™
- Sync-Lock™
- ®
- TinyBoost®
- TinyBuck®
- TinyCalc™
- TinyLogic®
- TINYOPTO™
- TinyPower™
- TinyPWM™
- TinyWire™
- TranSiC™
- TriFault Detect™
- TRUECURRENT®\*
- μSerDes™
- ™
- UHC®
- Ultra FRFET™
- UniFET™
- VcX™
- VisualMax™
- VoltagePlus™
- XS™
- Xsens™
- 仙童®

\* Trademarks of System General Corporation, used under license by Fairchild Semiconductor.

**DISCLAIMER**

FAIRCHILD SEMICONDUCTOR RESERVES THE RIGHT TO MAKE CHANGES WITHOUT FURTHER NOTICE TO ANY PRODUCTS HEREIN TO IMPROVE RELIABILITY, FUNCTION, OR DESIGN. TO OBTAIN THE LATEST, MOST UP-TO-DATE DATASHEET AND PRODUCT INFORMATION, VISIT OUR WEBSITE AT [HTTP://WWW.FAIRCHILDSEMI.COM](http://www.fairchildsemi.com). FAIRCHILD DOES NOT ASSUME ANY LIABILITY ARISING OUT OF THE APPLICATION OR USE OF ANY PRODUCT OR CIRCUIT DESCRIBED HEREIN; NEITHER DOES IT CONVEY ANY LICENSE UNDER ITS PATENT RIGHTS, NOR THE RIGHTS OF OTHERS. THESE SPECIFICATIONS DO NOT EXPAND THE TERMS OF FAIRCHILD'S WORLDWIDE TERMS AND CONDITIONS, SPECIFICALLY THE WARRANTY THEREIN, WHICH COVERS THESE PRODUCTS.

**AUTHORIZED USE**

Unless otherwise specified in this data sheet, this product is a standard commercial product and is not intended for use in applications that require extraordinary levels of quality and reliability. This product may not be used in the following applications, unless specifically approved in writing by a Fairchild officer: (1) automotive or other transportation, (2) military/aerospace, (3) any safety critical application – including life critical medical equipment – where the failure of the Fairchild product reasonably would be expected to result in personal injury, death or property damage. Customer's use of this product is subject to agreement of this Authorized Use policy. In the event of an unauthorized use of Fairchild's product, Fairchild accepts no liability in the event of product failure. In other respects, this product shall be subject to Fairchild's Worldwide Terms and Conditions of Sale, unless a separate agreement has been signed by both Parties.

**ANTI-COUNTERFEITING POLICY**

Fairchild Semiconductor Corporation's Anti-Counterfeiting Policy. Fairchild's Anti-Counterfeiting Policy is also stated on our external website, [www.fairchildsemi.com](http://www.fairchildsemi.com), under Terms of Use

Counterfeiting of semiconductor parts is a growing problem in the industry. All manufacturers of semiconductor products are experiencing counterfeiting of their parts. Customers who inadvertently purchase counterfeit parts experience many problems such as loss of brand reputation, substandard performance, failed applications, and increased cost of production and manufacturing delays. Fairchild is taking strong measures to protect ourselves and our customers from the proliferation of counterfeit parts. Fairchild strongly encourages customers to purchase Fairchild parts either directly from Fairchild or from Authorized Fairchild Distributors who are listed by country on our web page cited above. Products customers buy either from Fairchild directly or from Authorized Fairchild Distributors are genuine parts, have full traceability, meet Fairchild's quality standards for handling and storage and provide access to Fairchild's full range of up-to-date technical and product information. Fairchild and our Authorized Distributors will stand behind all warranties and will appropriately address any warranty issues that may arise. Fairchild will not provide any warranty coverage or other assistance for parts bought from Unauthorized Sources. Fairchild is committed to combat this global problem and encourage our customers to do their part in stopping this practice by buying direct or from authorized distributors.

**PRODUCT STATUS DEFINITIONS**

**Definition of Terms**

Datasheet Identification	Product Status	Definition
Advance Information	Formative / In Design	Datasheet contains the design specifications for product development. Specifications may change in any manner without notice.
Preliminary	First Production	Datasheet contains preliminary data; supplementary data will be published at a later date. Fairchild Semiconductor reserves the right to make changes at any time without notice to improve design.
No Identification Needed	Full Production	Datasheet contains final specifications. Fairchild Semiconductor reserves the right to make changes at any time without notice to improve the design.
Obsolete	Not In Production	Datasheet contains specifications on a product that is discontinued by Fairchild Semiconductor. The datasheet is for reference information only.

Rev. I77