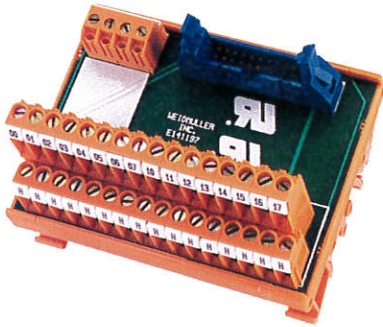
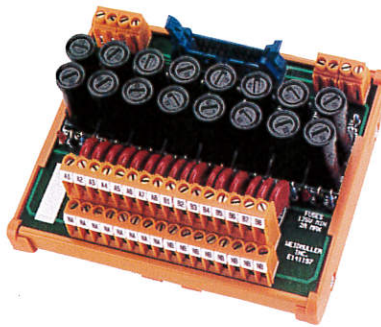


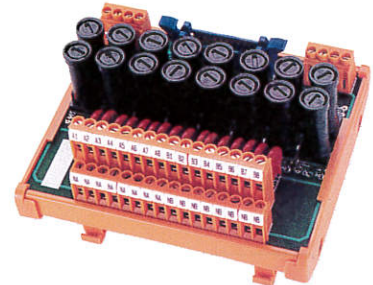
**Passive - 2 wire  
16 Channel  
Output  
GE Fanuc**



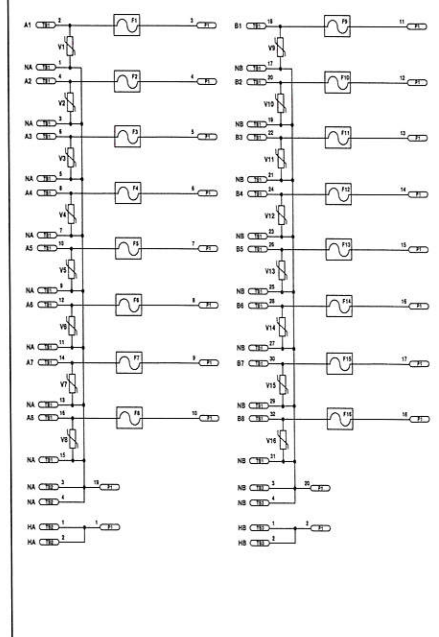
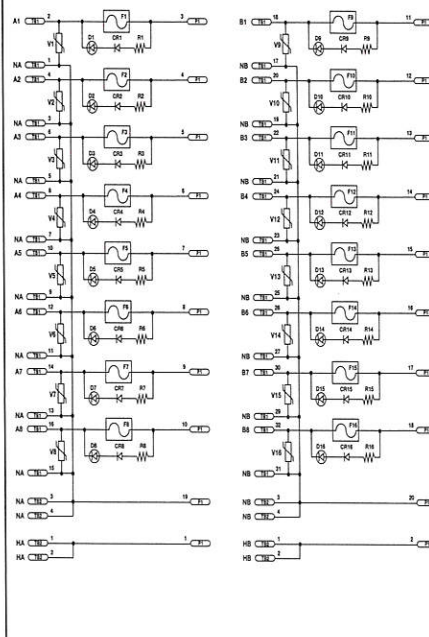
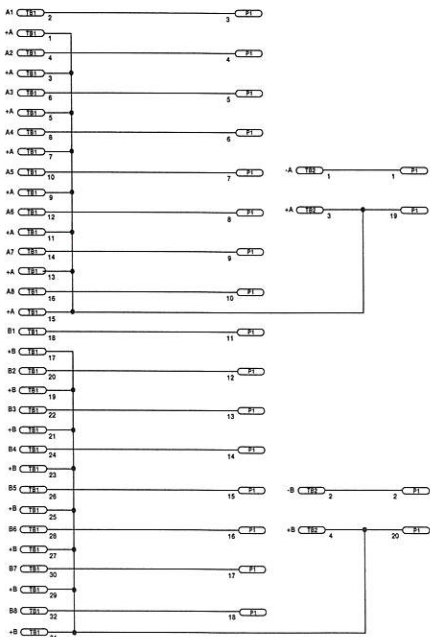
**Passive - 2 wire  
16 Channel  
Output Fused\* w/LED and MOV  
GE Fanuc**



**Passive - 2 wire  
16 Channel  
Output Fused\* w/MOV  
GE Fanuc**



RS PLC GE9030 16PT 2x8			RS PLC DO W/BFI & MOV		RS PLC DO W/F & MOV	
<b>998189</b>	120 VAC	IC693MDL340	<b>998001</b>	IC693MDL740	<b>996572</b>	IC693MDL740
<b>998064</b>	24 VDC	IC693MDL740, 742				
<b>998069</b>	24 VDC	IC693MDL741				
See Above			24 VDC		24 VDC	
3.0 A per channel / 3.0 A per group of 8 / 6.0 A per module			1.5 A per channel / 3.0 A per group of 8 / 6.0 A per module		1.5 A per channel / 3.0 A per group of 8 / 6.0 A per module	
(1) 1 x 20 pin IDC			(1) 1 x 20 pin IDC		(1) 1 x 20 pin IDC	
No			Yes		No	
0°C...+50°C			0°C...+50°C		0°C...+50°C	
-20°C...+60°C			-20°C...+60°C		-20°C...+60°C	
90 x 70 x 56			123 x 109 x 61		123 x 109 x 61	
#26...14 AWG			#26...14 AWG		#26...14 AWG	
Screw Clamp			Screw Clamp		Screw Clamp	



\*5 x 20 mm fuses are required.  
Note: Markings vary based on I/O used.