

Active module - UM-D37M/16RSC-24DC/DO/C300/L - 2905655

Please be informed that the data shown in this PDF Document is generated from our Online Catalog. Please find the complete data in the user's documentation. Our General Terms of Use for Downloads are valid (<http://phoenixcontact.com/download>)

VARIOFACE 16-channel module intended for use with Honeywell Experion C300 24V digital IOTA



Picture shows right-hand version

Product Features

- UM-PRO housing
- DIN rail mounting, includes grounding foot
- Designed to be mounted in the left side of the cabinet
- Per channel pluggable 3 A fusing
- LED blown fuse indication
- Per channel configuration for NO or NC contacts



Key Commercial Data

Packing unit	1 pc
Weight per Piece (excluding packing)	12.8 g
Custom tariff number	85369010
Country of origin	United States

Technical data

Note

Utilization restriction	EMC: class A product, see manufacturer's declaration in the download area
-------------------------	---

Dimensions

Width	184 mm
Height	142.3 mm
Depth	64.7 mm

Active module - UM-D37M/16RSC-24DC/DO/C300/L - 2905655

Technical data

Ambient conditions

Ambient temperature (operation)	-40 °C ... 70 °C
Ambient temperature (storage/transport)	-40 °C ... 70 °C

Input data

Nominal input voltage U_N	24 V DC
Input voltage range in reference to U_N	0.8 ... 1.1
Typical input current at U_N	7 mA
Type of protection	Free-wheeling diode
Protective circuit/component	Damping diode

Output data

Contact type	1 PDT
Contact material	AgSnO
Maximum switching voltage	120 V AC 28 V DC
Minimum switching voltage	12 V
Limiting continuous current	3 A (fuse limited)
Min. switching current	10 mA

General

With components	Yes
Mechanical service life	2×10^7 cycles
Operating mode	100% operating factor
Degree of protection	IP20

Connection data for connection 1

Connection name	Controller level
Connection method	D-SUB connector
Number of connections	1
Number of positions	37

Connection data for connection 2

Connection name	Field level
Connection method	Screw connection
Stripping length	8 mm
Screw thread	M3
Conductor cross section solid	0.2 mm ² ... 4 mm ²
Conductor cross section flexible	0.2 mm ² ... 2.5 mm ²
AWG conductor cross section	24 ... 12
Number of connections	32

Active module - UM-D37M/16RSC-24DC/DO/C300/L - 2905655

Technical data

Supported controller

Corresponding control	HONEYWELL Experion PKS C300/C-Series
Corresponding I/O card	CX-TDOB01
	CX-TDOB11
	CX-TDOB51
	CX-TDOB61
	8X-TDODA1
	8X-TDODB1

Classifications

eCl@ss

eCl@ss 4.0	27371104
eCl@ss 4.1	27371104
eCl@ss 5.0	27371001
eCl@ss 5.1	27371001
eCl@ss 6.0	27371001
eCl@ss 7.0	27371601
eCl@ss 8.0	27371601

ETIM

ETIM 2.0	EC000196
ETIM 3.0	EC000196
ETIM 4.0	EC000196
ETIM 5.0	EC001437

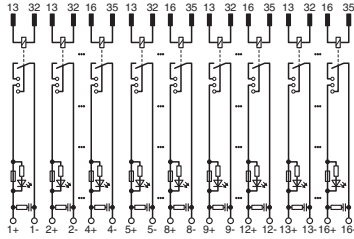
UNSPSC

UNSPSC 6.01	30211916
UNSPSC 7.0901	39121515
UNSPSC 11	39121515
UNSPSC 12.01	39121515
UNSPSC 13.2	39121515

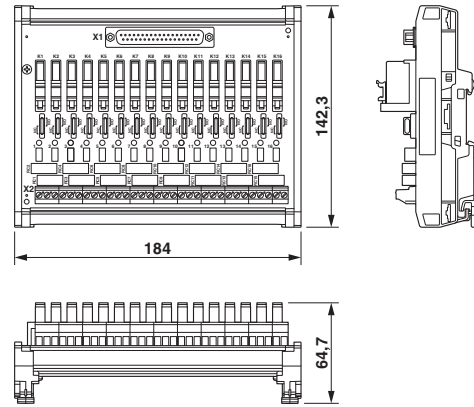
Drawings

Active module - UM-D37M/16RSC-24DC/DO/C300/L - 2905655

Circuit diagram



Dimensional drawing



Dimensional drawing of right-hand version