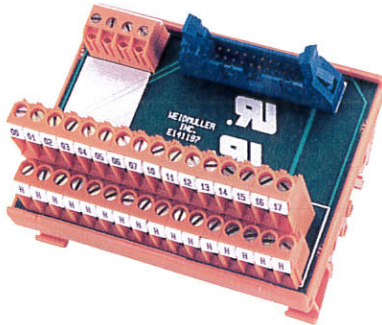
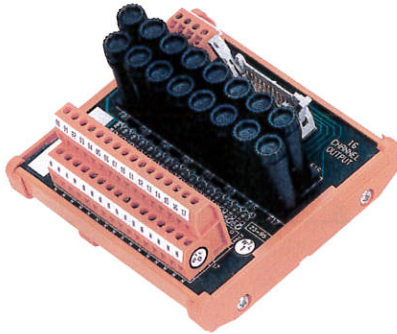


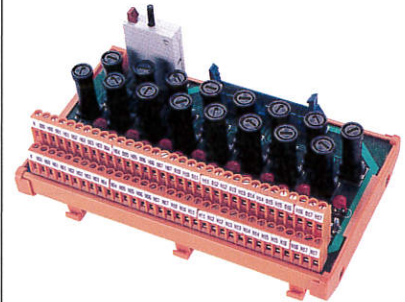
**Passive - 2 wire
16 Channel
Output
Allen-Bradley**



**Passive - 2 wire
16 Channel
Output Fused*
Allen-Bradley**

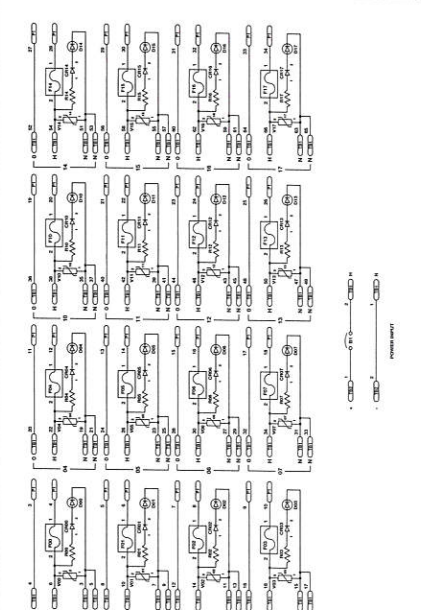
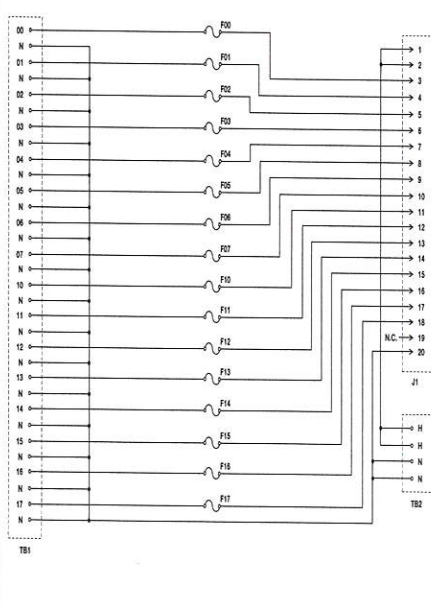
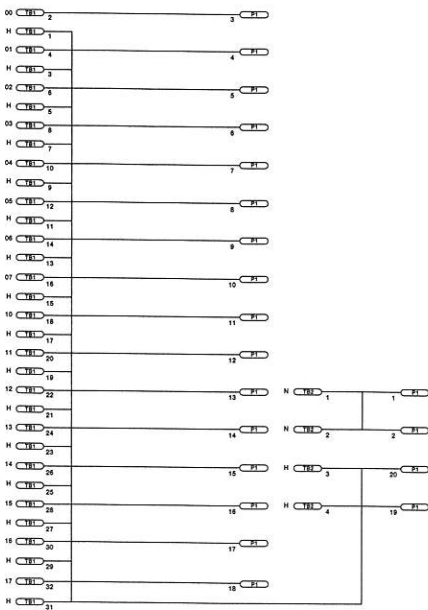


**Passive - 2 wire
16 Channel
Output Fused* w/LED, MOV,
and Circuit Breaker
Allen-Bradley**



PLC INTERFACE PRODUCTS
FIELD INTERFACE MODULES

RS PLC 1771 16PT DO AC			RS RI OAD 16 FL			RS PLC DO W/LD, F & CB W/MOV	
998038	120 VAC / 24 VDC	1771-OAD/B	990874	120 VAC, 24 VDC	1771-OAD/B	996420	1771-OD16
	24 VAC	1771-OND	919769	24 VDC	1746-OB16		
998039	10-60 VDC	1771-OB	919771	24 VDC	1746-OV16		
	10-40 VDC	1771-OBDS					
See Above			See Above			120 VAC	
3.0 A per channel / 6.0 A per module / 3.0 A per common			2.0 A per channel / 6.0 A per module			2.0 A per channel / 12.0 A per module	
(1) 1 x 20 pin IDC			(1) 1 x 20 pin IDC			(1) 1 x 40 pin IDC	
No			No			Yes	
0°C...+50°C			0°C...+50°C			0°C...+50°C	
-20°C...+60°C			-20°C...+60°C			-20°C...+60°C	
90 x 70 x 56			117 x 109 x 76			182 x 100 x 59	
#26...14 AWG			#26...14 AWG			#26...14 AWG	
Screw Clamp			Screw Clamp			Screw Clamp	



*5 x 20 mm fuses are required.
Note: Markings vary based on I/O used.