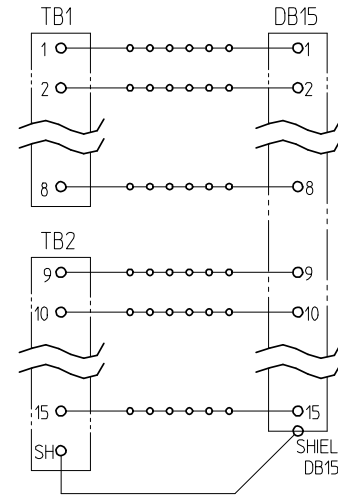
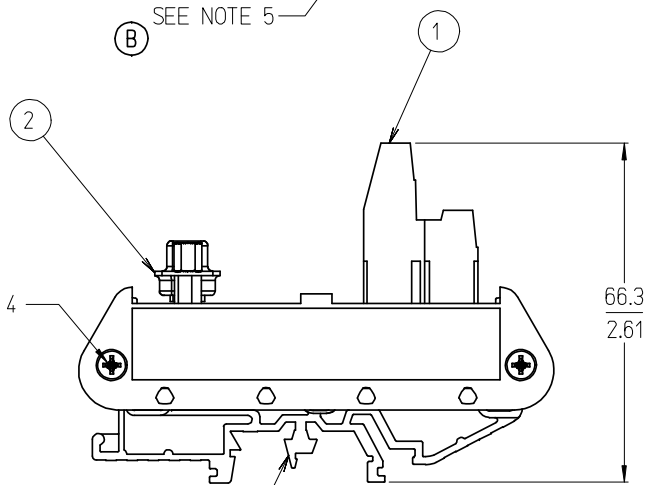


15 POSITION SHOWN



TYPICAL SCHEMATIC (15 POSITION SHOWN)

NO. OF CIRCUITS	DIM. "A"	MATERIAL NUMBER
09	39.4 [1.55]	39170-3009
15	54.4 [2.14]	39170-3015
25	79.8 [3.14]	39170-3025
37	106.4 [4.19]	39170-3037

NOTES:

- 1. MATERIAL: SEE TABLE
- 2. FINISHES: SEE TABLE
- 3. MATES WITH: MALE D-SUB
- (B) 4. END CAP MOUNT SCREW TORQUE: 0.5 N-m (4.4 lbf-in) MINIMUM  
0.6 N-m (5.3 lbf-in) MAXIMUM
- (B) 5. TERMINAL BLOCK SCREW TORQUE: 0.8 N-m (7.1 lbf-in)
- 6. ASSEMBLY ROHS COMPLIANCE NOT REQUIRED.

ITEM	QTY.	DESCRIPTION	MATERIAL	FINISH
3	2	DIN RAIL ADAPTOR UNIT	THERMOPLASTIC	BLACK
2	1	FEMALE D-SUB TO 5.08 FIXED, PC BOARD ASSY.	-	-
1	1	5.08 FIXED DUAL LEVEL BTS	SEE SD-39880-006	BLACK

ADD SCREW TORQUE  
 EC NO: ETC2007-0331  
 DRWN: CLYORK 2007/03/12  
 CHKD: JMACNEIL 2007/03/14  
 APPR: JMACNEIL 2007/03/15  
 B REV DESCRIPTION

QUALITY SYMBOLS  
 ▽=0  
 ∇=0

GENERAL TOLERANCES (UNLESS SPECIFIED)	
	MM/IN
4 PLACES	± --- ± ---
3 PLACES	± --- ± .005
2 PLACES	± 0.13 ± .01
1 PLACE	± 0.3 ± ---
ANGULAR ± 2 °	
DRAFT WHERE APPLICABLE MUST REMAIN WITHIN DIMENSIONS	

DIMENSION STYLE	
MM/IN	
DRAWN BY	DATE
C. YORK	2004/11/09
CHECKED BY	DATE
R. STONE	2004/11/16
APPROVED BY	DATE
G. ROBERTSON	2004/11/16

SCALE	DESIGN UNITS	THIRD ANGLE PROJECTION
1:1	INCH	
TITLE		
DIN RAIL INTERFACE MODULE, FEMALE D-SUB TO 5.08MM DUAL LEV. FIXED		
MOLEX INCORPORATED		
MATERIAL NO.	DOCUMENT NO.	SHEET NO.
SEE CHART	SD-39170-002	1 OF 1
THIS DRAWING CONTAINS INFORMATION THAT IS PROPRIETARY TO MOLEX INCORPORATED AND SHOULD NOT BE USED WITHOUT WRITTEN PERMISSION		