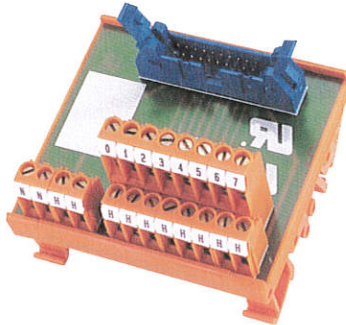
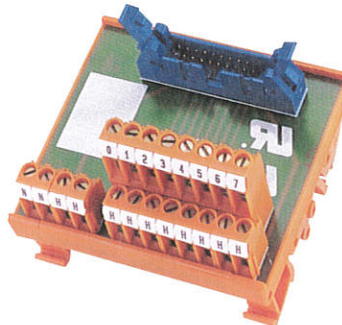


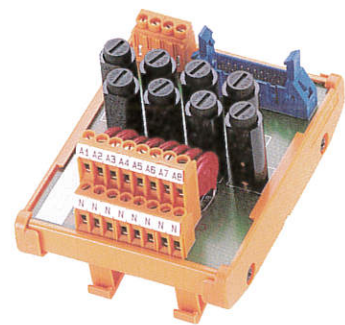
**Passive - 2 wire
8 Channel
Input
GE Fanuc**



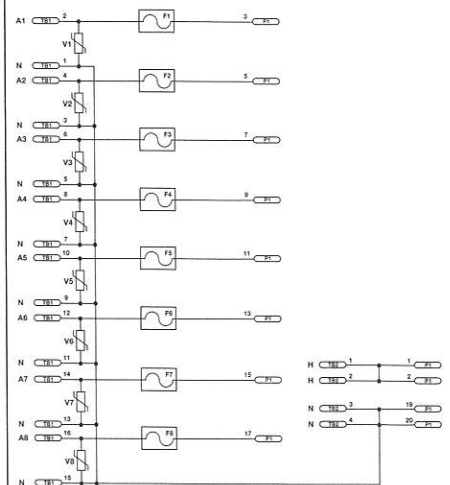
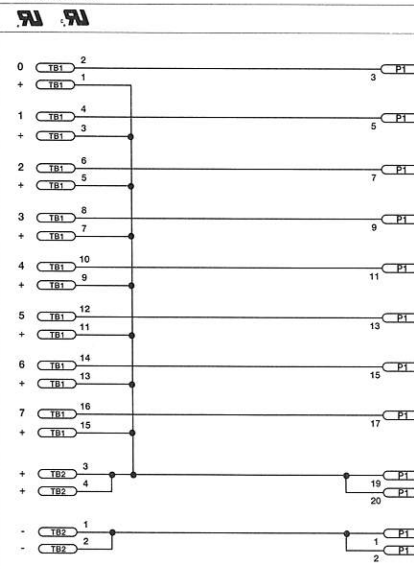
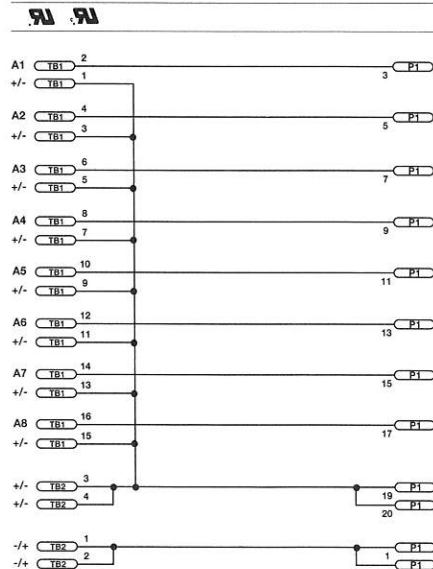
**Passive - 2 wire
8 Channel
Output
GE Fanuc**



**Passive - 2 wire
8 Channel
Output Fused w/MOV*
GE Fanuc**



RS PLC DI 8PT +/-	RS PLC DO 8PT	RS PLC DO W/F & MOV
998010	998014	996569
IC693MDL634	IC693MDL730	IC693MDL730
	IC693MDL732	
	998015	
	IC693MDL731	
125 VDC	12-24 VDC	12-24 VDC
3.0 A per channel / 6.0 A per module / 3.0 A per common	3.0 A per channel / 6.0 A per module / 3.0 A per common	2.0 A per channel / 6.0 A per module / 3.0 A per common
(1) 1 x 20 pin IDC	(1) 1 x 20 pin IDC	(1) 1 x 20 pin IDC
No	No	No
0°C...+50°C	0°C...+50°C	0°C...+50°C
-20°C...+60°C	-20°C...+60°C	-20°C...+60°C
75 x 70 x 59	75 x 70 x 59	81 x 109 x 63
#26...14 AWG	#26...14 AWG	#26...14 AWG
Screw Clamp	Screw Clamp	Screw Clamp



*5 x 20 mm fuses required.
Note: Markings vary based on I/O used.