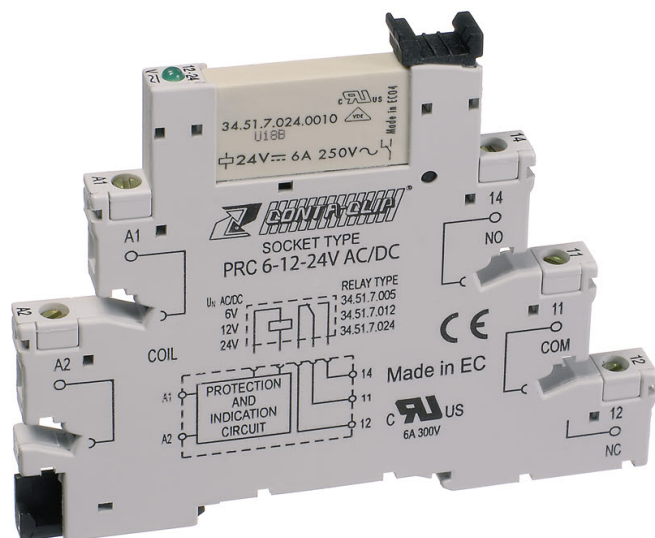


## 16128.2 PRCU 1/24V DC Au



Plug-Relay-Compact (PRC) Complete, Consisting of base PRC... with screw connection and pluggable miniature relay PRC... with multi-layer gold contact, Mounting type: Mounting rail TS 35, 1 CO contact, Input voltage: 24 VDC

### Business data

Article number	16128.2
Article name	PRCU 1/24V DC Au
GTIN (EAN)	4044211178635
Packaging unit	10
Quantity unit	PC
Weight per piece (not including packaging)	33.8 g
Weight per piece (including packaging)	36.44 g
Unit of weight	G
Customs number	85364900
Country of origin	IT
Product description	Relay terminal

### Technical data

#### Dimensions

Length	87.3 mm
Width	6.2 mm
Height TS 35 / 7.5 with BA	7.99 mm

#### Ratings

Rated voltage $U_n$	24 VDC -
Overvoltage category	III
Contamination degree	3

#### Connection data

Connection principle	Screw connection
Wire cross-section single core (rigid), min.	0.2 mm <sup>2</sup>
Wire cross-section single-core (rigid), max.	2.5 mm <sup>2</sup>
Wire cross-section stranded, min.	0.2 mm <sup>2</sup>
Wire cross-section stranded, max.	2.5 mm <sup>2</sup>
Stripping length	10 mm
Torque	0.5 Nm

#### Input data

Holding current	0,4 $U_n$ -
Drop-out voltage	0,05 $U_n$
Operating range	16,8-36 VDC
Power consumption	0,17 W

#### Output data

Switching voltage / switching voltage max.	250 / 400 VAC
Continuous current max. / Inrush current max.	6 / 10 A
Contact configuration	1 CO contact
Switching capacity, max.	1500 VA
Electrical lifespan (AC1)	60x10 <sup>3</sup>
Mechanical lifespan	10x10 <sup>7</sup>
Contact load, min.	50 mW
Bounce time at close of the NO/NC contact	3/8 ms

### Technical data

#### Materials

Contact material	AgNi + Au
Flammability class UL 94	V-0
Working temperature, min.	-40 °C
Working temperature, max.	70 °C

#### Further technical data

Degree of protection	IP20
Status display	✓
Insulation voltage coil/contact	4 kV
Free-wheel diode	✓
Response/release time	12 / 5 ms
Insulation voltage contact/contact	1 kV
Vibration resistance NO/NC	10/5 g

#### Environmental Product Compliance

REACH Conform	yes
REACH Reference date	2022-06-10
REACH Candidate Substance Note	No
RoHS Conform	yes

---

### Approvals

---

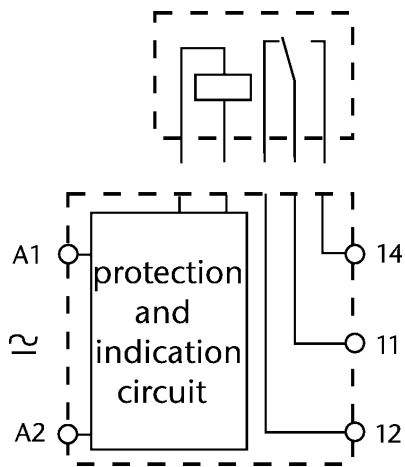
#### Standards and regulations

---

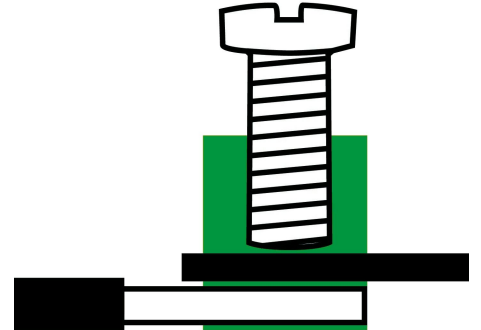
CE compliant	yes
cUL approval	CSA-C22.2 No. 14
UL approval	UL 508
UL Recognized	1
cUL Recognized	1

---

### Media



**C** **RU**<sup>®</sup> **US**

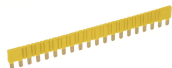


## 16128.2 PRCU 1/24V DC Au

### Accessories

#### Cross-connector

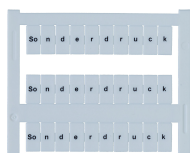
External cross-connector insulated for Plug-Relay-Compact (PRC), 20-pole, can be shortened, Voltage: 250 V, Current: 36 A



Article number	Article name	GTIN (EAN)	Packaging unit
<u>15545.8</u>	AQI/PRC/20 YE	4044211118440	1

#### Quick marking

Terminal marker / Pocket Maxicard, Length: 12 mm, Width: 6 mm, Colour: White



Article number	Article name	GTIN (EAN)	Packaging unit
<u>9107.7</u>	PMC BSTR 6/30 So WH	4044211099749	300 ST

Terminal marker / Pocket Maxicard, Length: 12 mm, Width: 6 mm, Colour: White



Article number	Article name	GTIN (EAN)	Packaging unit
<u>9106.7</u>	PMC BSTR 6/30 WH	4044211099732	300 ST

#### Screwdriver

Screwdriver with bare blade, Colour: Black-grey



Article number	Article name	GTIN (EAN)	Packaging unit
<u>1086.0</u>	SDB 0,6x3,5	4044211014797	1 ST

#### Relays

Plug-in miniature power relay, With multi-layer gold contact, 1 CO contact, Input voltage: 24 VDC



Article number	Article name	GTIN (EAN)	Packaging unit
<u>15559.2</u>	PRC 1/24V DC Au	4044211118396	10 ST

## 16128.2 PRCU 1/24V DC Au

### Insert modules



Insertion module, Suitable for relay socket base PRS, LED red status display, With free-wheel diode

Article number	Article name	GTIN (EAN)	Packaging unit
<a href="#">15141.2</a>	PRS LED(RD) 24V DC	4044211046231	1 ST

### Partition plate



Partition plate for Plug-Relay-Compact (PRC) for separating relay blocks, width: 1.5 mm

Article number	Article name	GTIN (EAN)	Packaging unit
<a href="#">15546.2</a>	TW/PRC GR	4044211118457	1 ST